

Ice•Devlce™ Ice Management Systems

Order parts online
www.follettice.com

Installation, Operation & Parts Manual



Ice•Devlce with SmartCART™ 75

Contents

Welcome to Follett	4
Before you begin	4
Product descriptions	4
Installation	6
A. Removing lower door assembly (if needed)	6
B. Reinstalling door assembly	6
C. Installing base section	7
D. Installing single section bin	7
E. Installing two-section bins	7
F. Installing bin section	8
G. Installing 8" (204mm) plastic chute	9
H. Installing 4" (102mm) plastic chute	9
I. Installing icemaker drain	9
J. Installing icemaker tie-downs	9
K. Final connections (for all models)	9
Bin operation	10
General operation of unit	10
Adjusting SmartGATE	10
Using tools	11
Cleaning Ice•Device	11
Exterior care	11
Interior care	11
Technical assistance available toll free	11
Assembly, operation and cleaning of Ice•Device carts and accessories	12
SmartCART 75	12
SmartCART 125	14
Cambro ICS125L Cart	15
Bagger Accessory	16
Totes ice carrier for low-profile Ice•Device unit	17
Replacement parts	18
Bin replacement parts	18
Bin door replacement parts	19
COR accessory package replacement parts – Ice•Device with elevated base for correctional facilities	20
SmartCART 75 replacement parts (stainless drain tray base)	20
New SmartCART 75 replacement parts (roto-molded drain tray base)	21
SmartCART 125 and Cambro ICS125 replacement parts	21
Manual bagger replacement parts	22

Welcome to Follett

Follett ice storage bins enjoy a well-deserved reputation for excellent performance, long-term reliability and outstanding labor-saving and sanitation benefits. To ensure that your ice management system delivers this same degree of service, please read this manual carefully before installing or operating the system. If you have any questions or require technical help at any point, please call our technical service group at (877) 612-5086, or +1 (610) 252-7301.

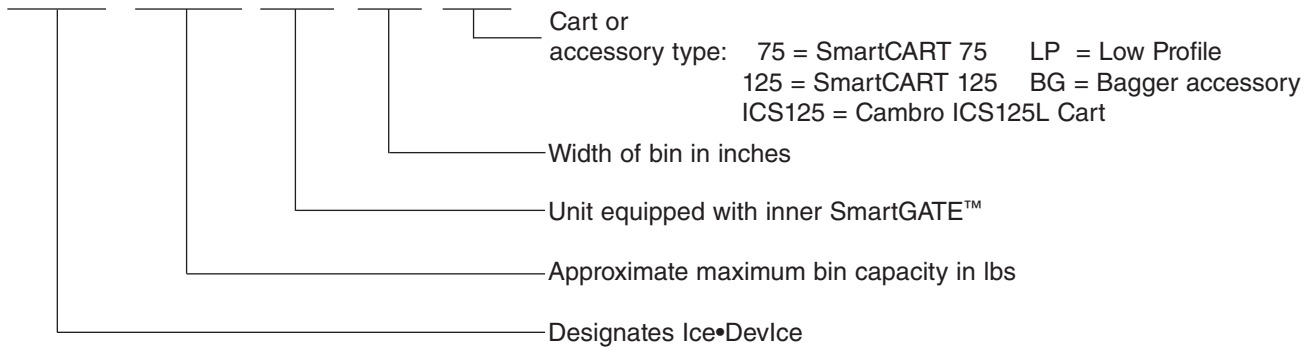
Before you begin

After uncrating, remove all packing material and inspect the ice management system and accessories for shipping damage. If damage is found, notify the shipper immediately and contact Follett so that we can help in the filing of a claim, if necessary.

Product descriptions

Check your paperwork and enclosed accessories to determine which ice management system you have. Follett numbers are designed to provide information about the type and capacity of Follett products. Following is an explanation of the different variations in the Ice•Devlce Ice Management Systems series.

DEV1010SG-48-75



Verify that all parts have been shipped. You should have received the following:

DEV_____SG-___-BG **Ice•Devlce with**

bagger accessory:

- Ice storage bin
- 24" (610mm) high base
- 4" (102mm) plastic ice chute
- Bagger accessory kit
- Ice probe and rake tools

DEV_____SG-___-LP **Low-profile Ice•Devlce**

- Ice storage bin
- 10" (254mm) legs
- 4" (102mm) plastic ice chute
- 1 Totes ice carrier
- Ice probe and rake tools

DEV_____SG-_____ **Ice•Devlce for correctional**

facilities with accessory

- Ice storage bin
- 37" (940mm) high base
- 8" (204mm) plastic ice chute
- Ice probe and rake tools



DEV _____ SG-__-75

**Ice•Devlce with
SmartCART 75:**

- Ice storage bin
- 24" (610mm) high base
- 8" (203mm) plastic ice chute
- Ice cart with three Totes ice carriers
- Ice probe and rake tools



DEV _____ SG-__-125

**Ice•Devlce with
SmartCART 125:**

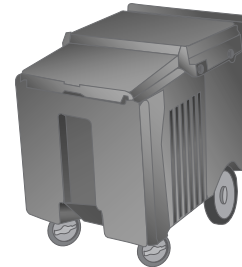
- Ice storage bin
- 24" (610mm) high base
- 4" (102mm) plastic ice chute
- Insulated plastic ice transport cart with hinged lid
- Ice probe and rake tools



DEV _____ SG-__-ICS125

**Ice•Devlce with
Cambro ICS125L:**

- Ice storage bin
- 24" (610mm) high base
- 4" (102mm) plastic ice chute
- Insulated plastic ice transport cart with hinged lid
- Ice probe and rake tools



Important cautions and operating rules

Read this manual completely before assembling or operating the ice management system and follow cautions and instructions listed below.

To avoid damage to ice management system and injury during operation:

- Top is **NOT** fastened to bin
- Do not move ice management system once icemaker has been installed
- Anchor flanged feet to floor as instructed
- Base section must be bracketed to wall
- Use only tools provided to assist ice flow
- Use cart only to transport ice

To avoid injury during operation of unit:

- Keep entire body clear of bin when breaking up ice
- Keep head and face away from tools when breaking up ice
- Keep floor around bin free of ice and water
- Always operate cart at a slow, reasonable speed

For best operation and to ensure delivery of clean, sanitary ice:

- Be sure bin is level in both directions to provide proper drainage
- Position cart, Totes ice carrier or bagger below chute before operating chute door
- Install a charcoal water filter on inlet water for icemaker
- Hang tools in supplied bracket after each use
- Keep tools clean and in good repair to avoid ice contamination
- Follow instructions in this manual for proper cleaning and maintenance

Installation

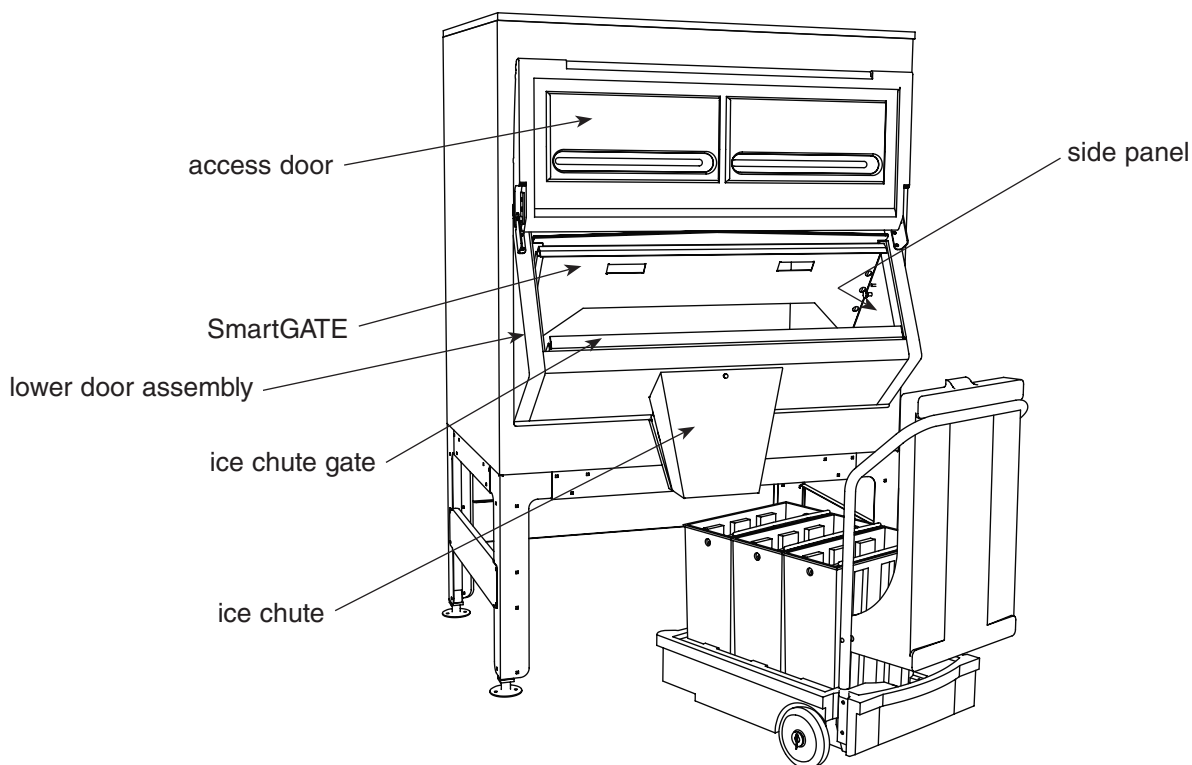
If unit does not fit through door, lower door assembly can be removed (see steps A and B below). If door removal is not necessary, proceed to step C.

A. Removing lower door assembly (if needed)

1. With lower access door closed remove Phillips head screw and washer from hinge on each side of lower access door.
2. Insert screwdriver between door and hinge bracket on one side of door and gently push against bracket to provide room for door stud to clear bracket.
3. Remove access door.
4. Disengage stop latch on right side of SmartGATE™ and pull up on gate to remove.
5. Remove 4 screws (3 screws for 27" (686mm) snout) on hood above door assembly.
6. Pull forward on assembly to remove.

B. Reinstalling door assembly

1. Reinstall lower door assembly in bin opening. (Do not disturb gasket around opening.)
2. Reinstall four (4) screws (3 screws for 27" (686mm) snout) in hood at top of door assembly.
3. Reinstall SmartGATE in side panel tracks and push down to seat.
4. With door closed insert one door stud through hinge bracket, install washer, screw and tighten.
Note: For proper operation the access door must be reinstalled in the closed position.
5. On other side, insert screwdriver between door and hinge bracket and gently push against bracket to provide room for door stud to clear bracket.
6. Reinstall washer and screw in lift door and tighten.
7. Check door to ensure proper operation.



C. Installing base section

(Ice•Device models with SmartCART 75, 125, Cambro* ICS125, bagger accessory or correctional package)

1. Remove screws holding base to skid and remove skid.
2. Position base in intended position and adjust feet to level in both directions.
3. **For models with SmartCART 75:** Adjust feet and level base so that there is no interference between base and cart when cart is rolled under base with lid closed.
4. Mark position of each flanged foot anchoring hole.
5. Move base section out of the way and install anchors for 1/4" bolts in floor (supplied by others).
6. Reposition unit in its intended position.
7. Anchor base unit to floor through flanged feet.
8. Anchor base to wall using brackets and fasteners (supplied by others).
9. Use holes in side of base section to connect brackets.
10. Mark hole locations on wall.
11. Drill holes if needed.
12. Fasten brackets to base and wall.

D. Installing single section bin

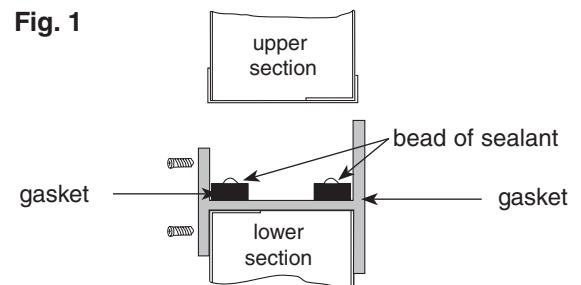
(for Ice•Device models with SmartCART 75, 125, Cambro ICS125 or bagger accessory)

1. Remove all packaging material from bin.
2. Remove any accessories packed inside bin.
3. Remove top from bin.
4. Lay bin on its back being careful to protect finish, and remove bolts holding skid to bin.
5. Install bin section on base.
6. Place supplied 1-3/4" washers on supplied bolts and install bolts up through base and into bin at each corner. **Do not use skid bolts.**
7. **For model DEV2250 only,** use supplied plugs to close bolt holes in bin back to prevent contamination of insulation.
8. Remove protective covering from exterior.
9. Reinstall top onto bin.
10. Use supplied screws with power driver to install tool bracket in holes on either side of Ice•Device.
11. Mount icemaker(s) on top of bin section in accordance with icemaker manufacturer's instructions.
12. For models COR base must be bracketed to wall.

E. Installing two-section bins

(for Ice•Device models with SmartCART 75, 125, Cambro ICS125 or bagger accessory)

1. Remove all packing material from both sections of bin.
2. Remove any accessories packed inside lower section of bin.
3. Set lower section upright and remove bolts holding skid to back of bin.
4. To prevent contamination of insulation, use supplied plugs to close bolt holes in bin back.
5. Install bin on base.
6. Place supplied 1-3/4" washers on supplied bolts and install bolts up through base and into bin at each corner. **Do not use skid bolts.**
7. Remove protective covering from stainless steel surfaces.
8. Using provided caulking gun and one of two (2) 10 oz tubes of sealant provided, run a 1/8" (3mm) bead of silastic sealant over center of each band of gasketing on lower section, including over brackets (Fig.1).
9. Remove bolts holding skid to upper section back and close holes with supplied plugs.
10. Position upper section over lower section.



* Cambro is a registered trademark of Cambro Manufacturing Company in the United States and other countries.



Follow Steps 11 - 15 to anchor upper and lower sections of all two-section upright bins. Brackets must be installed to avoid possible injury should unit move.

11. Lower upper section onto lower section, taking care not to disturb gasketing material and sealant beads.
12. Remove protective covering from stainless steel surfaces.
13. Install icemaker according to manufacturer's instructions.
14. From inside bin (access can be gained through lower door assembly) seal entire perimeter of seam between upper and lower sections with General Electric RTV 180 sealant provided (Figs. 2, 3).
15. Install supplied screws on side H-bracket and tighten, then seal entire perimeter of H-bracket with silastic.

Fig. 2 – Cross Section, Side View

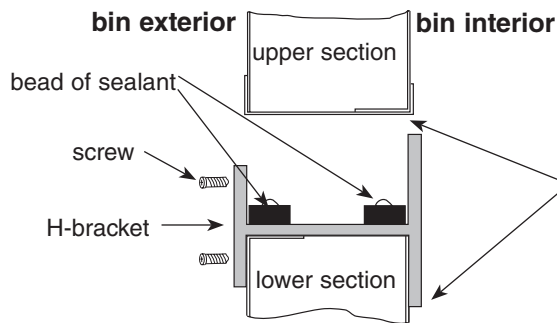
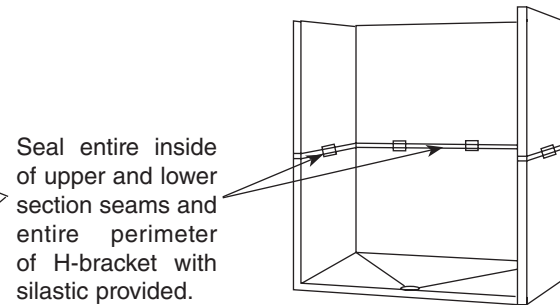


Fig. 3 – Bin Cutaway



Completely cover gasket material with sealant. Failure to properly seal sections may result in leakage and/or ice contamination, and will void warranty.

16. Use supplied screws with a power driver to install tool bracket in holes on either side of Ice•Device.
17. Insert short side of inspection window through notch in upper and lower track and continue to rear groove. Repeat with second window only to front groove.
18. Remove any remaining protective covering or temporary fastenings from doors and outside of bin.

F. Installing bin section

(for low-profile Ice•Device models only)

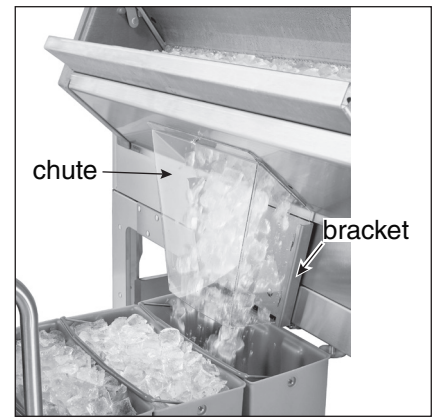
1. Remove all packing material from bin.
2. Remove set of four legs and any other accessories packed inside bin.
3. Remove top from bin.
4. Lay bin on its back being careful to protect finish and remove bolts holding skid to bin.
5. Screw legs into tapped holes in bin bottom and tighten to seat legs well against bottom.
6. Set bin upright.
7. Remove protective covering from exterior.
8. Move bin to permanent location.
9. Adjust "foot" at bottom of each leg to level bin in both directions.
10. Mark position of each flanged foot anchoring hole.
11. Move base section out of the way and install anchors for 1/4" bolts in floor (supplied by others).
12. Reposition unit in its intended position.
13. Anchor base unit to floor through flanged feet.
14. Mount ice maker.

G. Installing 8" (204mm) plastic chute

(for Ice•Device models with SmartCART 75, COR package)

1. Orient stainless chute bracket with open end of bracket tabs facing down.
2. Insert supplied 1/2" 1/4-20 carriage head bolts through bracket and base and hand tighten only.
3. Gently push on sides of plastic chute to fit inside bracket, inserting bracket tabs into slots in plastic chute.
4. Push up on plastic chute to align holes and secure with supplied thumbscrew.
5. Tighten carriage bolts holding bracket.

Fig. 4



H. Installing 4" (102mm) plastic chute

(for Ice•Device models with SmartCART 125, 240 or bagger accessory, and low-profile units)

1. Orient stainless steel chute bracket with open end of bracket tabs facing down.
2. Loosely fasten bracket with two thumbscrews provided through holes into lower door assembly.
3. Install plastic chute into bracket, making sure screw hole is oriented at top.
4. Align hole in chute and bracket with threaded hole in lower door assembly and fasten with thumbscrew.
5. Tighten all thumbscrews.

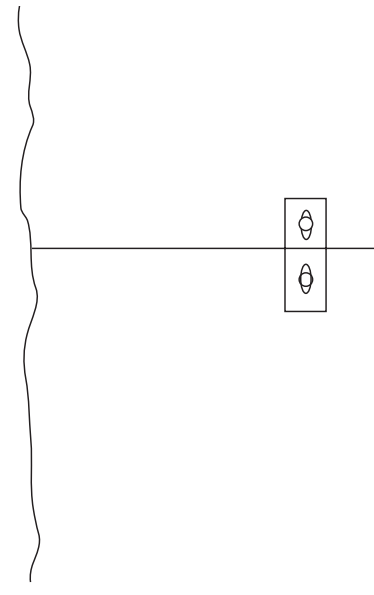
I. Installing icemaker drain

Required for some icemakers only. For these machines Follett predrills hole and provides 3/4" straight threaded drain fitting to be installed through hole.

To install fitting:

1. Remove plastic nut on fitting.
2. From inside (liner side) bin, insert threaded portion through hole provided in side of bin.
3. Replace plastic nut on threaded portion and tighten against outside of bin.
4. Connect supplied tubing to icemaker drain connection after installing icemaker.

Fig. 5



J. Installing icemaker tie-downs

Required for some icemaker applications only. If this fitting is included with your bin, proceed as follows:

1. Align icemaker back flush with bin back.
2. Using center of vertical slot as template, drill through icemaker wall with a 15/64 drill.
3. Fasten straps to icemaker and bin (bin holes are predrilled) with #14 x 1/2 sheet metal screws and washers provided.

K. Final connections (for all models)



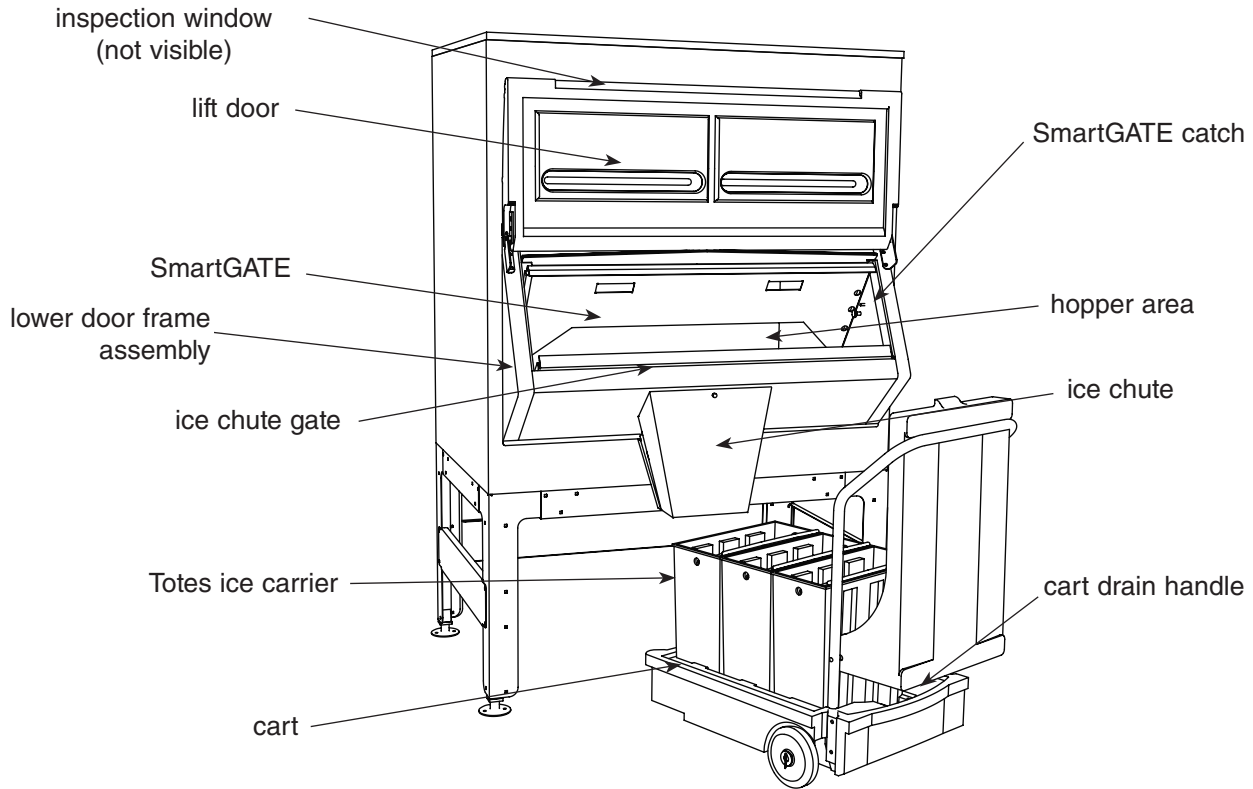
Avoid excessive tightening when connecting to this fitting.

1. Install supplied 1" elbow into drain fitting under bin.
2. Connect customer supplied length of vinyl tube to barb end and route to either side or rear of bin (so not to interfere with cart movement).
3. Make final connections to icemaker.

Bin operation

General operation of unit

Ice in the hopper section of the ice management system falls through the ice chute in front of the bin and into the cart, Totes ice carrier or bag when the chute gate is pulled up. The flow of ice is stopped by pushing down on the chute gate. The SmartGATE restricts the flow of ice into the hopper area and can be adjusted and locked at one of several levels to accommodate the flow characteristics of different types of ice.



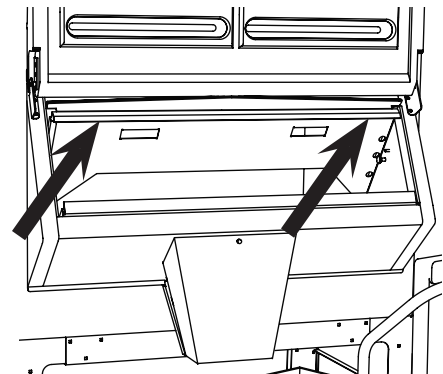
Adjusting SmartGATE

The bin is shipped with the inner SmartGATE in the full down position, the best position for slippery cubes which flow well into the hopper through the cut-out in the bottom of the gate. For less slippery ices, the SmartGATE can be raised and locked in a higher position for better flow or when more access is needed.

1. Use full-length handle at top of SmartGATE to pull gate up. (Loose ice will cascade into hopper.)
2. If adequate ice has moved into hopper, push gate back down.
3. To lock gate at a higher level, pull up and hold gate at correct level (catch will automatically release when you pull up), and push tapered end of catch into nearest hole in gate.
4. To release catch, pull up on gate.

Note: SmartGATE and ice chute gate must both be in full down position before access door can be closed.

Pull up on SmartGATE handle to adjust SmartGATE level



Using tools

Two tools — a paddle and a rake — ship with the Ice•Devlce and should be mounted for easy access on either side of the bin in the bracket provided.

Using paddle

If there is adequate ice in Ice•Devlce but hopper is not filled with ice, it may be that ice has congealed behind SmartGATE and cannot flow into hopper. This can often be remedied by simply opening and closing SmartGATE several times (see adjusting SmartGATE, above.) If problem continues, the paddle can be inserted through rectangular openings in SmartGATE and moved back and forth to break bridge.

Using rake

When Ice•Devlce is almost empty of ice, there will not be enough ice piled in hopper area to allow chute to work. In this case, rake can be used to pull ice forward into hopper area.



Use tools only as described. To avoid possible injury, keep head and face clear of hopper area and tools at all times. Do not use tools for other purposes.

Cleaning Ice•Devlce



Interior of bin must be cleaned and sanitized prior to use. A regular schedule of cleaning maintenance is recommended following installation to ensure cleanliness of delivered ice.

Exterior care

The stainless steel exterior of the bin can be cleaned with a stainless cleaner such as 3M* Stainless Steel Cleaner & Polish or equivalent.

Interior care

The polyethylene liner should be cleaned and sanitized periodically with any product suitable for use in a food zone.

Technical assistance available toll free

Should you have any questions concerning the installation or maintenance of Follett ice storage bins, please call our technical service department at (877) 612-5086 or +1 (610) 252-7301 between 8 a.m. and 5 p.m. Eastern time.

* 3M is a trademark of 3M Company.

Assembly, operation and cleaning of Ice•Devlce carts and accessories

The following assembly, operation and cleaning instructions have been divided into five parts. Use the section pertaining to the carts and accessories purchased with your Ice•Devlce unit.

SmartCART 75

Assembly

1. Remove installation hardware from poly bag taped to Totes ice carrier.
2. Place cart handle ends along holes at the back of cart base. Align handle end holes with small holes in sides of cart.
3. Tighten bolts securely.
4. Position lid onto cart in between handles. From outside cart handle, insert 1.5" pivot pins through handle and lid bushings.
5. Push down on L-shaped cart drain handle and confirm that it seats in hole in cart bottom.
6. Arrange plastic Totes ice carriers in cart (longer dimension parallel with cart handle) and check that lid clears ice carriers when in down position.

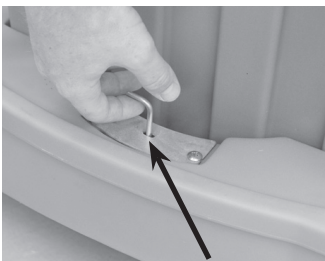
Operation

1. A cart drain allows any melt water or cleaning solutions to be drained easily from cart. (Fig. 1)
Each Totes ice carrier holds approximately 25lbs (11.34kg) of ice (Fig. 3).
2. The three-wheeled cart maneuvers easily in limited space, can be turned tightly and goes up and down different floor levels without difficulty (Fig. 2).
3. Molded base protect fixtures and walls.



Use cart only for transport of ice. To avoid possible injury, do not ride in or on cart. Do not use cart to transport other items.

Fig. 1 – Drain



Pull up on drain handle to open. Push down to close.

Fig. 2 – Uneven flooring



Tip cart onto back wheels to go up or down different floor levels.

Fig. 3 – Lift ice carrier



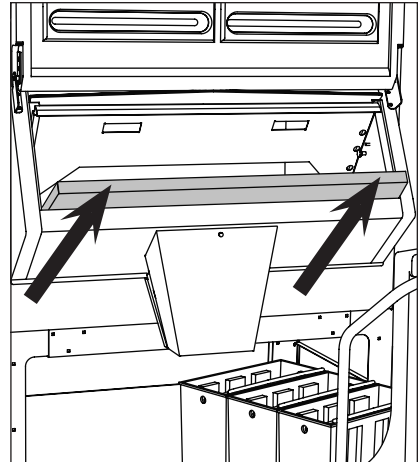
Lift Totes ice carrier straight up from cart and return to cart when empty.

Filling Totes ice carriers

1. Lift lid. Position ice carrier closest to cart handle under ice chute.
2. Open lift door and confirm there is ample ice in hopper area. If not, see previous sections on adjusting SmartGATE and using tools.)
3. Pull chute gate up to start flow of ice into ice carrier.
4. When ice carrier is almost full, push chute gate down to stop flow. (Some ice will continue to fall as chute gate closes. Leave room in ice carrier for this in-flight ice to avoid spillage.)
5. Pull cart forward until next ice carrier is under chute and repeat steps 3 and 4.
6. Check that cart drain is closed and wheel cart to usage area.

Note: For better cart stability when removing Totes ice carriers: remove ice carrier closest to cart handle first, then proceed to middle ice carrier, ending with ice carrier farthest from cart handle.

Pull up on chute gate to allow ice to flow into ice carrier



Cleaning

The polyethylene Totes ice carrier should be cleaned and sanitized periodically with any product suitable for use in a food zone.



The Totes ice carrier must be cleaned and sanitized prior to use. A regular schedule of cleaning maintenance is recommended following installation to ensure cleanliness of delivered ice. Do not run ice carrier through any dishwashing system.

SmartCART 125

Assembly

The cart will arrive to you fully assembled. Check that the drip shelf inside the cart is horizontal, with the hole oriented toward the front.

Operation

1. The cart is highly maneuverable with two swivel casters in front.
2. The polyethylene construction is resistant to damage from normal use, and prevents it from marring walls and fixtures.
3. A hand valve at the front of the cart allows melt water or cleaning solutions to be easily drained from the cart. The valve has a threaded fitting, allowing a hose to be connected, if desired.
4. The cart is capable of holding approximately 125 lbs (56.7kg) of ice.



Filling cart

1. Open cart lid and position cart directly under ice chute.
2. Open lift door and confirm that there is enough ice in hopper area. (If not, see previous sections on “adjusting SmartGATE” and “using tools”)
3. Pull chute gate up to start flow of ice into cart.
4. When cart is almost full, push gate down to stop flow. (Some ice will continue to fall as chute gate closes. Leave room in cart for this in-flight ice to avoid spillage.)
5. Check that drain valve is closed.
6. Wheel cart to usage area. Lock caster before unloading

Cleaning

1. The cart can be cleaned using a mild detergent and a soft brush, taking care not to mark the surface.
2. If stains appear, a mild cleaning compound can be used.
3. Periodic cleaning and sanitizing should be done with any product suitable for use in a food zone.
4. Remove and clean faucet regularly. Use a small brush to access faucet body and spout. Replace faucet properly to avoid leaks.



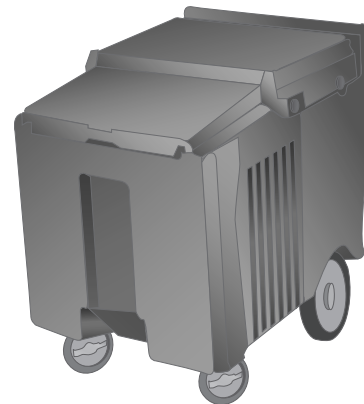
Clean and sanitize cart interior prior to use and on regular schedule as needed thereafter to ensure cleanliness of delivered ice.

Cambro ICS125L Cart Assembly

The cart will arrive to you fully assembled. Check that the drip shelf inside the cart is horizontal, with the hole oriented toward the front.

Operation

1. The cart is highly maneuverable with two swivel casters in front.
2. The polyethylene construction is resistant to damage from normal use, and prevents it from marring walls and fixtures.
3. A hand valve at the front of the cart allows melt water or cleaning solutions to be easily drained from the cart. The valve has a threaded fitting, allowing a hose to be connected, if desired.
4. The cart is capable of holding approximately 125 lbs (56.7kg) of ice.



Filling cart

1. Open cart lid and position cart directly under ice chute.
2. Open lift door and confirm that there is enough ice in hopper area. (If not, see previous sections on “adjusting SmartGATE” and “using tools”)
3. Pull chute gate up to start flow of ice into cart.
4. When cart is almost full, push gate down to stop flow. (Some ice will continue to fall as chute gate closes. Leave room in cart for this in-flight ice to avoid spillage.)
5. Check that drain valve is closed.
6. Wheel cart to usage area. Lock caster before unloading

Cleaning

1. The cart can be cleaned using a mild detergent and a soft brush, taking care not to mark the surface.
2. If stains appear, a mild cleaning compound can be used.
3. Periodic cleaning and sanitizing should be done with any product suitable for use in a food zone.
4. Remove and clean faucet regularly. Use a small brush to access faucet body and spout. Replace faucet properly to avoid leaks.



Clean and sanitize cart interior prior to use and on regular schedule as needed thereafter to ensure cleanliness of delivered ice.

Bagger Accessory Assembly

1. Attach tape dispenser to left side of bagger assembly for right-handed users using two screws provided. For left-handed users, attach to right side.
2. Center tape roll on tape drum Fig. 7, as shown, to dispense tape with adhesive side up.
3. Place tape drum with tape in slot Fig. 8 and pull tape lead end forward to front edge of bag sealer.

For ease of use, the bagger assembly can be attached to the bin using a Velcro strip that has been provided on the back of the bagger. Clean the front of the base under the chute of all dirt and oil, peel the backing off the Velcro strip to expose the adhesive, and press the bagger assembly against the base.

Operation

1. The bagger accessory is used to fill 10 lb (4.65kg) bags of ice easily and with minimal spillage (optional 8 lb (363kg) bags are also available when reordering).
2. A “flag” type of seal, using the enclosed tape dispenser, is formed by a single strip of pressure-sensitive tape that encircles the neck of the bag.

Filling bags with ice and sealing:

1. Position bagger assembly in front of bin below ice chute.
2. Hang wicket with bag on bracket behind white plastic funnel of bagger accessory.
3. Pull one bag open under white funnel.
4. Open bin door and pull up on ice chute gate to dispense ice.
5. Begin to close gate when bag is about half full.
6. To seal ice bag, twist neck of bag to be sealed and position at 90-degree angle over bag slot Fig 9., as shown.
7. Move bag neck downward to bottom of slot and pull sideways to remove sealed bag neck from bag sealer.

Cleaning

1. The plastic funnel should be cleaned and sanitized periodically with any product suitable for use in a food zone.
2. The aluminum stand can be cleaned with mild detergent.

Fig. 6

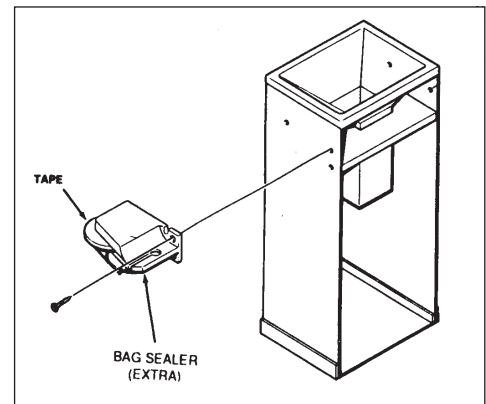


Fig. 7

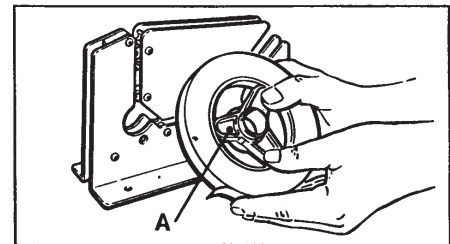


Fig. 8

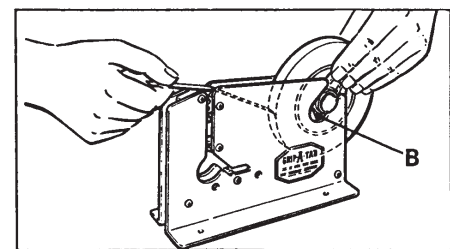
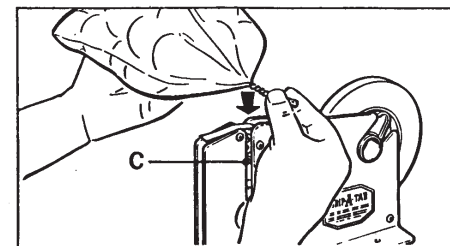


Fig. 9



Totes ice carrier for low-profile Ice•DevIce unit Assembly

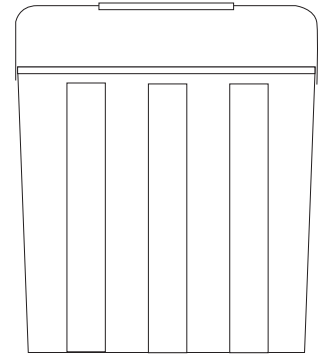
The Totes ice carrier requires no assembly.

Operation

1. The polyethylene construction of the ice carrier makes it light and very resistant to damage from normal use.
2. The handle makes it convenient to transport up to 25 lbs (11.34kg) of ice and the shape of the ice carrier makes pouring easy.

Filling Totes ice carrier

1. Position ice carrier under ice chute.
2. Open lift door and confirm there is enough ice in hopper area. (If not, see previous sections on “adjusting SmartGATE” and “using tools.”)
3. Pull ice chute gate up to start flow of ice into ice carrier.
4. When ice carrier is almost full, push chute gate down to stop flow. (Some ice will continue to fall as chute gate closes. Leave room in ice carrier for this in-flight ice to avoid spillage.)
5. Close lift door and carry ice carrier to usage area.

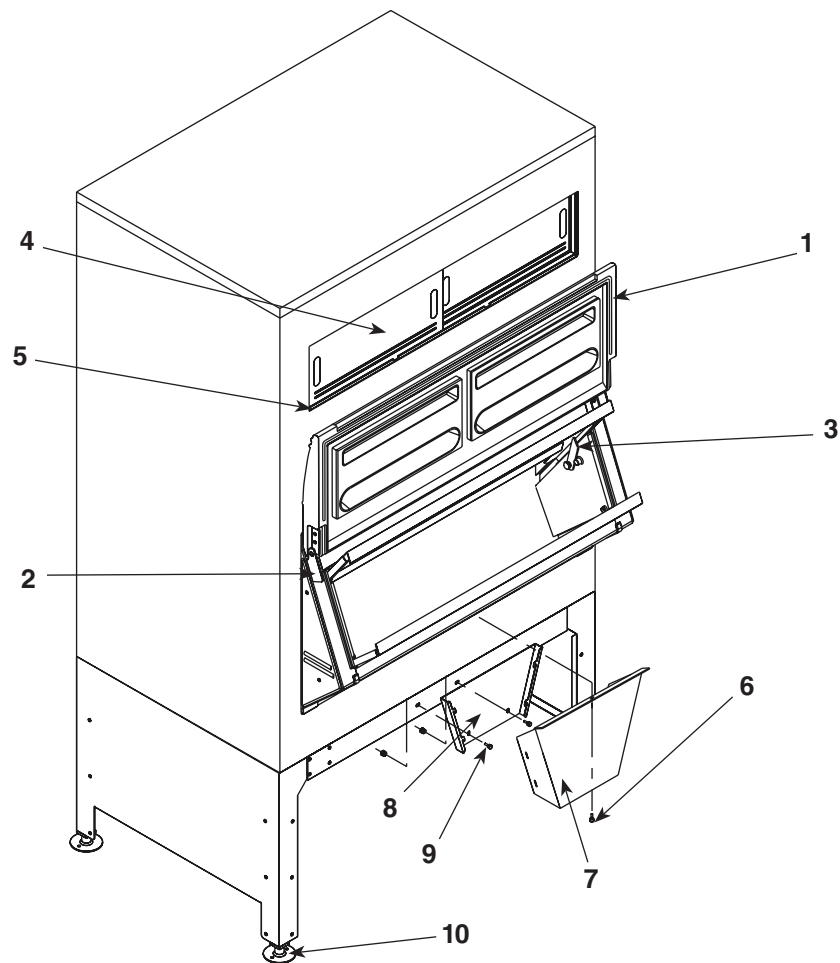


The polyethylene ice carrier should be cleaned and sanitized periodically with any product suitable for use in a food zone. **DO NOT RUN ICE CARRIER THROUGH A DISHWASHER.**

Note: If you purchased a SmartCART 75 for use with your low-profile Ice•DevIce, see pages 11 and 12 for assembly, operation and cleaning instructions.

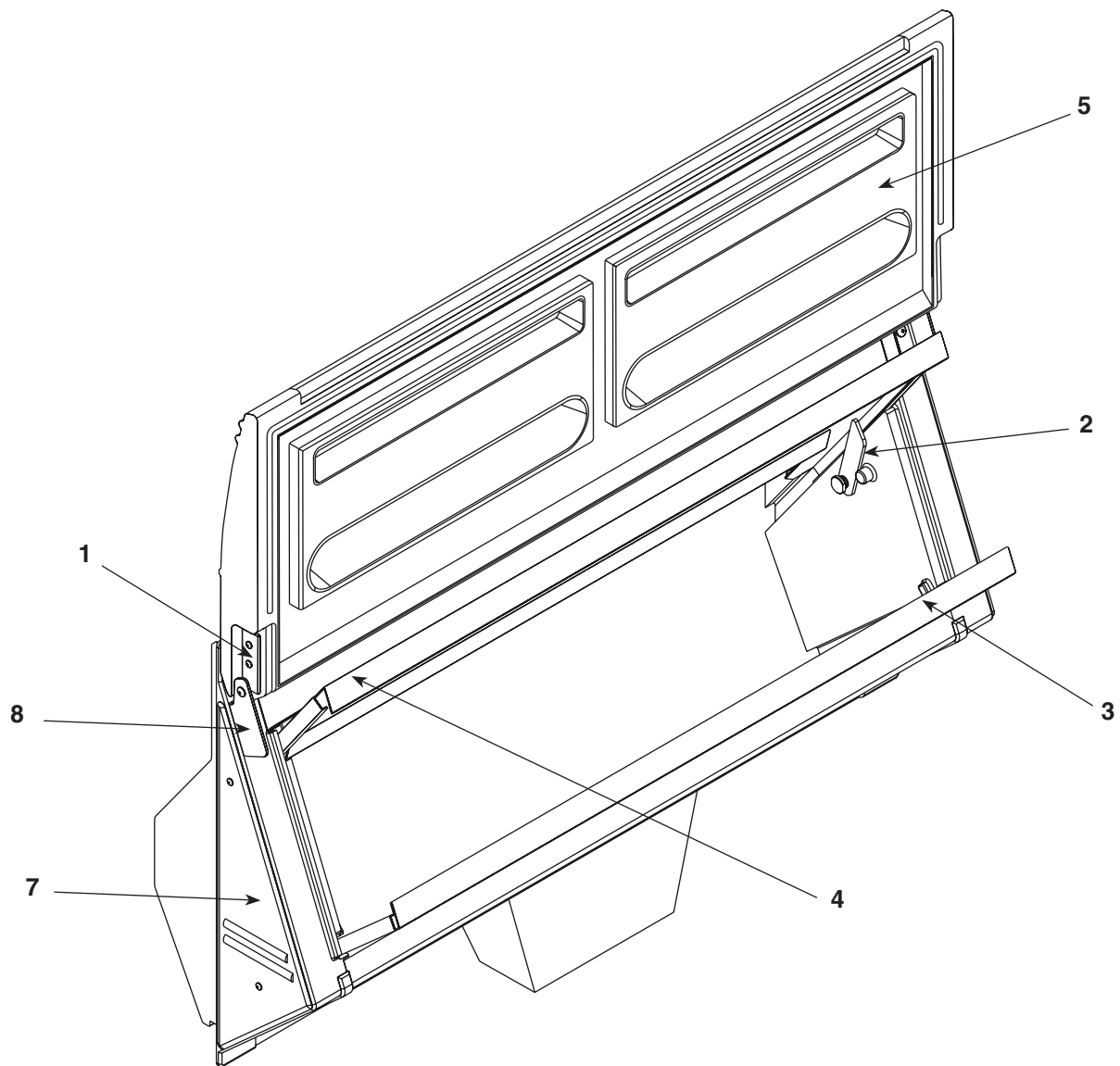
Replacement parts

Bin replacement parts



Part #	Description	Reference number
502176	Door, outer lift, 28" (686mm), (includes door hinges and hardware)	1
502177	Door, outer lift, 45" (1067mm), (includes door hinges and hardware)	1
502180	Hinges, pair (includes mounting hardware)	2
502218	Retainer, SmartGATE (includes shoulder screw)	3
502237	Inspection window 21.125" x 8.625" (537mm x 220mm)	4
502264	Inspection window 12.5" x 9" (318mm x 229mm)	4
501401	Track, inspection window (use with 502264 window)	5
501100	Thumbscrews, plastic chute	6
502373	Chute, plastic, long, 8" (204mm)	7
502554	Chute, plastic, short, 4" (102mm)	Not shown
502374	Chute bracket (includes hardware), long, 8" (204mm)	8
502555	Chute bracket (includes hardware), short, 4" (102mm)	Not shown
502281	Hardware, chute bracket, long, 8" (204mm)	9
502556	Hardware, chute bracket, short, 4" (102mm)	Not shown
502196	Flanged foot (one)	10
502639	Probe, ice, 36" (915mm)	Not shown
502952	Rake, ice, 36" (915mm)	Not shown
502872	Bracket, ice rake	Not shown
502557	Legs, 10" (254mm), low-profile (set of 4)	Not shown
502064	Bracket, hanging, ice probe	Not shown
00109538	Elbow, bottom drain	Not shown

Bin door replacement parts

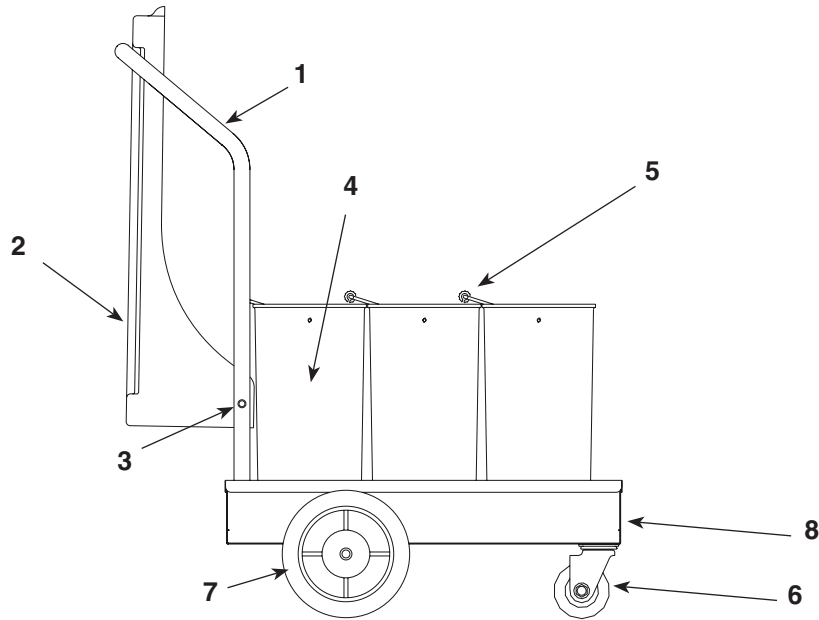


Part #	Description	Reference number
502178	Hinge assembly, left-hand (mounts to lift door)	1
502179	Hinge assembly, right-hand (mounts to lift door)	Not shown
502185	Locking catch, SmartGATE (includes shoulder screw)	2
01161074	Ice chute gate, 28" (712mm) wide door	3
01161082	Ice chute gate, 45" (1143mm) wide door	3
502367	SmartGATE, 28" (712mm) wide door	4
502363	SmartGATE, 45" (1143mm) wide door	4
502176	Lift door, 28" (712mm) wide (includes 502178 & 502179)	5
502177	Lift door, 45" (1143mm) wide (includes 502178 & 502179)	5
502371	Lower door frame assy (for use with 28" (712mm) door frame assembly)	7
502372	Lower door frame assy (for use with 45" (1143mm) door frame assembly)	7
502180	Hinges, pair (includes mounting hardware)	8

COR accessory package replacement parts – Ice•Device with elevated base for correctional facilities

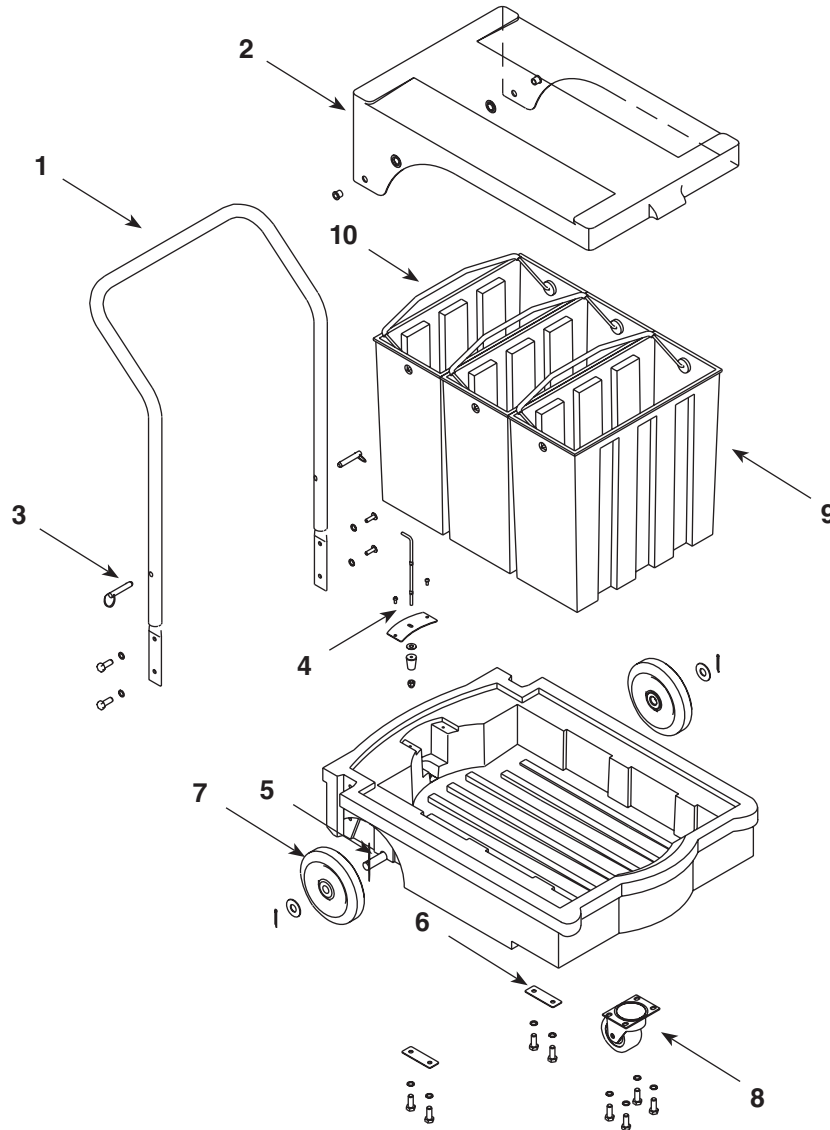
Part #	Description	Reference number
00111377	45" poly door prison package	Not shown
00111385	28" poly door prison package	Not shown
00111393	Door, upper lock bracket (left and right set)	Not shown
00111401	End panel prison package (left and right set)	Not shown

SmartCART 75 replacement parts (stainless drain tray base)



Part #	Description	Reference number
502197	Handle, cart	1
502198	Screws, cart handle mounting	Not shown
502203	Lid, cart (includes mounting hardware)	2
502204	Stud, pivot (1 pair), cart lid	3
502263	Totes ice carrier, non-draining (one)	4
502097	Handle, Totes ice carrier	5
502201	Wheel, front, cart	6
502200	Wheel, rear, cart	7
502572	Drain tray	8
502199	Bumper, cart (pair)	Not shown
502202	Drain assembly, cart	Not shown

New SmartCART 75 replacement parts (roto-molded drain tray base)



Part #	Description	Reference number
00115634	Handle with hardware	1
00115642	Lid with hardware	2
502204	Stud, pivot (1 pair), cart lid	3
00115659	Drain assembly, cart	4
00115667	Axle with cotter pins and washers	5
00115683	Plate, axle (2 required)	6
00134908	6" wheel with cotter pin and washer	7
502569	Wheel, front of cart	8
502263	Totes ice carrier, non draining (one)	9
502097	Handle, Totes ice carrier	10

SmartCART 125 and Cambro ICS125 replacement parts

For replacement parts contact Follett technical service group, (877) 612-5086 or +1 (610) 252-7301.

Manual bagger replacement parts

For replacement parts, tape and bags contact:
The Ice Box Company at (800) 632-3039.

Rejestracja gwarancji i ocena sprzętu

Dziękujemy za zakup urządzenia firmy Follett. Mamy nadzieję, że nasze urządzenia spełniają i przekraczają Państwa oczekiwania, gdyż naszym celem jest dostarczenie klientom wysoce wartościowych produktów i usług, zasługujących na ich pełne uznanie.

Prosimy zapoznać się z załączoną instrukcją instalacji i obsługi. Istotne jest przeprowadzenie instalacji zgodnie z wymogami producenta, co zapewni działanie urządzenia z maksymalną wydajnością.

Follett LLC nie będzie ponosić odpowiedzialności za szkody wtórne, wydatki, koszty podłączania lub odłączania lub jakiegokolwiek straty wynikające z wady urządzenia.

Aby uzyskać szczegółowe informacje na temat warunków gwarancji, prosimy odwiedzić naszą stronę internetową www.follettice.com/productwarranties.

Rejestracja gwarancji i ocena urządzenia to istotne czynności, ułatwiające nam utrzymanie aktualnych danych o miejscach instalacji naszych urządzeń i o ich działaniu. Prosimy o zarejestrowanie gwarancji na nabyte urządzenie firmy Follett na naszej witrynie www.follettice.com/support, gdzie należy wybrać Warranty Registration (Rejestracja gwarancji) i Equipment Evaluation (Ocena urządzenia). Jest to łatwe i nieskomplikowane, prosimy o znalezienie na to paru minut jeszcze dzisiaj. Na formularzu jest również miejsce na przekazanie nam komentarzy i informacji zwrotnych. Proszę podzielić się z nami swoimi wrażeniami, abyśmy mogli wykorzystać je w naszych ciągłych dążeniach do usprawnień.

Jesteśmy dumni z naszych znakomitych urządzeń i staramy się usilnie wspierać je znakomitą obsługą klienta i wsparciem technicznym. Chcielibyśmy wiedzieć, w jaki jeszcze sposób moglibyśmy Państwu pomóc. Z przyjemnością odpowiemy na Państwa pytania.

Registro de Garantía y Evaluación del Equipo

Gracias por haber elegido este producto Follett®. Esperamos que nuestro equipo cumpla o supere sus expectativas porque es nuestro objetivo ofrecer productos y servicios de gran valor que se ganen su plena confianza.

Le rogamos consulte el manual de instalación y de instrucciones adjunto, ya que es muy importante que la instalación se realice según las especificaciones de fábrica para que el equipo funcione a su máxima eficiencia.

Follett LLC no se hace responsable de los daños indirectos, costos, gastos por conexión y desconexión o pérdidas por causa de defecto de la máquina.

Si desea una información más completa sobre la garantía, visite nuestro sitio web www.follettice.com/productwarranties.

Las operaciones de registro de la garantía y evaluación del equipo son importantes para que podamos realizar un seguimiento de nuestro equipo y registrar el rendimiento de la maquinaria. Por favor, registre las garantías del equipo Follett en nuestro sitio web www.follettice.com/support y seleccione Registro de la Garantía y Evaluación del Equipo. Es muy sencillo, solo le llevará un momento realizar hoy mismo el registro. En el formulario incluimos un espacio en blanco para sus comentarios y opiniones. Infórmenos sobre su experiencia para que podamos incorporarla a nuestros continuos esfuerzos de mejora.

Nos enorgullecemos de producir un equipo excepcional y trabajamos duro para respaldarlo con un soporte técnico y un servicio de atención al cliente de primera. Le rogamos nos indique qué más podemos hacer para ayudarlo. Estaremos encantados de responder a sus dudas.

Enregistrement de la garantie et évaluation de l'équipement

Merci d'avoir acheté un équipement Follett®. Notre objectif étant d'offrir des produits et des services de grande valeur vous satisfaisant pleinement, nous espérons que celui-ci satisfera, voire dépassera, vos attentes !

Veuillez consulter le manuel d'installation et d'exploitation. Il est important que l'installation soit réalisée conformément aux spécifications de l'usine, de sorte que votre équipement fonctionne à son rendement maximum.

Follett LLC n'est pas responsable de tout dommage consécutif, de toute dépense, de tout frais de raccordement ou de déconnexion, ni de toute perte liée à un défaut de la machine.

Pour lire la garantie dans son ensemble, visitez notre site Internet www.follettice.com/productwarranties.

L'enregistrement de la garantie et l'évaluation de l'équipement sont importants pour nous aider à suivre notre équipement et pour enregistrer les performances de la machine. Nous vous demandons donc d'enregistrer la garantie de votre équipement Follett sur notre site Internet, www.follettice.com/support, dans la section Warranty Registration and Equipment Evaluation. Cette opération est simple ; veuillez prendre un moment pour la réaliser aujourd'hui.

Le formulaire contient également un espace pour nous faire parvenir vos commentaires et un retour d'informations. Veuillez nous faire part de votre expérience pour que nous puissions prendre appui dessus pour poursuivre nos efforts constants d'amélioration.

Nous sommes fiers de produire des équipements exceptionnels et nous travaillons avec acharnement pour y associer une assistance à la clientèle et technique exceptionnelle. N'hésitez pas à nous indiquer dans quelle mesure nous pouvons vous aider. Nous serions ravis de répondre à vos questions.

Garantieregistrierung und Produktbeurteilung

Vielen Dank, dass Sie sich für ein Follett®-Produkt entschieden haben. Wir hoffen, dass unser Produkt Ihre Erwartungen erfüllen oder sogar übertreffen wird, weil wir uns zum Ziel gesetzt haben, hochwertige Produkte und Leistungen anzubieten, die Ihre uneingeschränkte Anerkennung verdienen werden!

Lesen Sie sich bitte die beiliegende Installations- und Betriebsanleitung durch. Es ist wichtig, dass die Installation entsprechend den Werksangaben erfolgt, damit Ihr Produkt mit maximalem Wirkungsgrad arbeiten kann.

Follett LLC ist nicht für Folgeschäden, Ausgaben, Gebühren für Anschluss oder Abschaltung oder Verluste aufgrund eines Defekts der Maschine haftbar.

Vollständige Garantieinformationen finden Sie auf unserer Website unter www.follettice.com/productwarranties.

Garantieregistrering og Produktbeurteilung sind wichtig, damit wir einen Überblick über unsere Produkte behalten und ihre Effizienz bewerten können. Wir möchten Sie bitten, Garantien für Follett-Produkte auf unserer Website www.follettice.com/support zu registrieren und den Punkt „Garantieregistrering und Produktbeurteilung“ zu wählen. Es ist ganz einfach. Nehmen Sie sich bitte einen Moment Zeit, um die Registrierung heute vorzunehmen. Auf dem Formular ist auch Platz für Kommentare und Feedback vorhanden. Teilen Sie uns bitte Ihre Erfahrungen mit unseren Produkten mit, damit wir sie für unsere fortlaufenden Produktverbesserungen verwenden können.

Wir sind stolz darauf, dass wir besondere Produkte herstellen, und wir bemühen uns, unsere Produkte mit besonderem Kundendienst zu unterstützen. Lassen Sie uns bitte wissen, was wir noch für Sie tun können. Wir werden Ihre Fragen gerne beantworten.

Registrazione della garanzia e valutazione dell'attrezzatura

Grazie per aver acquistato un dispositivo Follett®. Ci auguriamo che il nostro prodotto soddisfi o superi le Sue aspettative, in quanto il nostro obiettivo è quello di offrire prodotti e servizi di alta qualità che soddisfino pienamente le vostre esigenze!

La preghiamo di leggere attentamente il manuale per l'installazione e per l'uso allegato. È infatti importante che l'installazione sia effettuata secondo le specifiche di fabbrica in modo tale che il dispositivo operi con la massima efficienza.

La Follett LLC non si assume alcuna responsabilità per danni conseguenti, spese, costi di collegamento o scollegamento o eventuali perdite dovute ad un difetto della macchina.

Per visualizzare i dettagli completi relativi alla garanzia, recarsi alla pagina www.follettice.com/productwarranties.

La registrazione della garanzia e la valutazione dell'attrezzatura sono importanti per aiutarci a tenere traccia dei nostri dispositivi e a registrare le prestazioni della macchina. Le chiediamo dunque di registrare le garanzie relative al dispositivo Follett sul nostro sito Web alla pagina www.follettice.com/support scegliendo Registrazione della garanzia e Valutazione dell'attrezzatura. Farlo è semplice; dedichi pochi minuti a registrare il prodotto oggi stesso. Sul modulo è inoltre previsto uno spazio in cui potrà fornirci i Suoi commenti e il Suo riscontro. Ci faccia sapere della Sua esperienza in modo che possiamo farne tesoro per il nostro continuo miglioramento.

Siamo orgogliosi di produrre macchinari di ottima qualità e lavoriamo sodo per offrire un servizio di assistenza clienti e tecnico di qualità altrettanto elevata. Ci faccia sapere come possiamo esserle di aiuto. Saremo lieti di rispondere a tutte le Sue domande.

Registo da garantia e avaliação do equipamento

Obrigado por ter adquirido equipamento Follett®. Fazemos votos de que o nosso equipamento cumpra ou exceda as suas expectativas, dado que temos por objetivo fornecer produtos e serviços de elevado valor que mereçam a sua total satisfação!

Pedimos-lhe que leia o manual de instalação e operações em anexo. É importante que a instalação seja levada a cabo de acordo com as especificações da fábrica, para que o seu equipamento funcione com a eficiência máxima.

A Follett LLC não assume a responsabilidade por quaisquer prejuízos indiretos, despesas, custos de ligação ou desligação ou quaisquer outras perdas decorrentes de um defeito na máquina.

Para consultar os dados da garantia, visite o nosso website www.follettice.com/productwarranties.

O registo da garantia e a avaliação do equipamento são importantes para nos ajudar a estar a par do nosso equipamento e registar o desempenho da máquina. Pedimos-lhe que registe as garantias de equipamento Follett no nosso website www.follettice.com/support, em “Warranty Registration and Equipment Evaluation”. É muito simples; tire uns minutos para fazer o registo hoje mesmo. O formulário inclui também espaço para os seus comentários e feedback. Conte-nos a sua experiência para que possamos usá-la nos nossos esforços contínuos de melhoria.

Temos muito orgulho em produzir equipamento excepcional e empenhamo-nos em proporcionar um apoio técnico e um apoio ao cliente igualmente excecionais. Diga-nos o que mais podemos fazer para o ajudar. Teremos todo o prazer em responder às suas perguntas.

Registrering af garanti og evaluering af udstyr

Tak for dit køb af Follett ®-udstyr. Forhåbentlig synes du, at vores udstyr lever op til eller overstiger dine forventninger, for vores målsætning er at levere produkter og serviceydelser af høj kvalitet, som du er fuldstændig tilfreds med!

Gennemlæs venligst den vedlagte installations- og driftsmanual. Det er vigtigt at installationen udføres i henhold til fabriksspecifikationerne, så dit udstyr kan fungere med maksimal effektivitet.

Follett LLC hæfter ikke for følgeskader, udgifter, tilslutnings- eller frakoblingsomkostninger eller nogen form for tab, der skyldes en maskindefekt.

Du kan læse de fulde oplysninger om garantien på vores website www.follettice.com/productwarranties.

Registrering af garantien og evaluering af udstyret er vigtigt for at hjælpe os med at følge op på vores udstyr og registrere maskinens ydelse. Vi beder dig registrere garantier på Follett-udstyr på vores website www.follettice.com/support og vælge Warranty Registration and Equipment Evaluation (Registrering af garanti og evaluering af udstyr). Det er nemt at gøre, så vi beder dig bruge et øjeblik på at registrere dig i dag. Formularen har også plads til, at du kan give os kommentarer og feedback. Fortæl os om dine erfaringer, så vi kan bruge dem i vores fortsatte bestræbelser på at forbedre os.

Vi sætter en ære i at fremstille udstyr i særklasse og arbejder hårdt på at kunne bakke udstyret op med fremragende kundeservice og teknisk support. Fortæl os, hvad vi ellers kan gøre for at hjælpe dig. Vi svarer gerne på dine spørgsmål.

Registratie van garanties en beoordeling van apparatuur

Gefeliciteerd met uw aankoop van Follett®-apparatuur. We hopen dat onze apparatuur uw verwachtingen invult of zelfs overstijgt, omdat we ernaar streven om hoogwaardige producten en diensten te leveren die u uitermate tevreden stellen!

Lees de bijgevoegde installatie- en bedieningshandleiding zorgvuldig door. Het is belangrijk dat de installatie uitgevoerd wordt volgens de fabrieksspecificaties, zodat uw apparatuur zo efficiënt mogelijk werkt.

Follett LLC is niet aansprakelijk voor enige gevolgschade, uitgaven, montage- of demontagekosten of enige door een defect van de machine geleden verliezen.

Bezoek onze website www.follettice.com/productwarranties voor alle garantiegegevens.

De registratie van garanties en de beoordeling van apparatuur is belangrijk voor ons om onze apparatuur te helpen traceren en de prestaties van de machine te registreren. We verzoeken u dan ook om garanties van Follett-uitrusting te registreren op onze website www.follettice.com/support en om “Warranty Registration” (Registratie van garanties) en “Equipment Evaluation” (Beoordeling van apparatuur) te kiezen. Gelieve hier even tijd voor vrij te maken. Het is namelijk zeer eenvoudig. Er is op het formulier ook plaats om opmerkingen en feedback te geven. Breng ons gerust op de hoogte over uw ervaring met onze apparatuur, zodat we ons kunnen blijven verbeteren.

We zijn trots op onze productie van uitstekende apparatuur en werken hard om dit bij te staan door een voortreffelijke klantendienst en technische ondersteuning. Aarzel echter niet om enige andere bijstand te vragen. We zullen uw vragen met plezier beantwoorden.

Garantiregistrering och utvärdering av utrustning

Tack för att du köpt utrustning från Follett®. Vi hoppas att du ska tycka att den uppfyller eller överträffar dina förväntningar, då vårt mål är att leverera produkter och tjänster av högt värde som gör dig helt nöjd!

Studera medföljande installations- och bruksanvisning. Det är viktigt att installationen genomförs enligt fabrikens anvisningar så att din utrustning arbetar med högsta effektivitet.

Follett LLC ansvarar inte för följdskador, kostnader, avgifter eller förluster som orsakats av fel på maskinen.

Fullständiga garantivillkor finns på vår hemsida www.follettice.com/productwarranties.

Garantiregistrering och utvärdering av utrustning är viktig för oss så att vi kan följa upp vår utrustning och dess funktion. Vi vill att du registrerar Folletts utrustningsgaranti på vår hemsida www.follettice.com/support, där du väljer Garantiregistrering och produktutvärdering. Det är enkelt att göra, så ta dig tid en minut och registrera dig idag. Det finns också utrymme på blanketten för kommentarer och synpunkter. Berätta för oss vad du tycker så att vi kan använda det i våra ansträngningar att alltid bli bättre.

Vi är stolta över att producera överlägsen utrustning och vi arbetar hårt med att stötta den med överlägset kundansvar och tekniskt stöd. Tala om för oss vad vi kan göra mer för att hjälpa dig. Vi svarar gärna på dina frågor.

Warranty Registration and Equipment Evaluation

Thank you for purchasing Follett® equipment. We hope you find that our equipment meets or exceeds your expectations, as our goal is to deliver high value products and services that earn your complete satisfaction!

Please review the enclosed installation and operations manual. It is important that the installation be performed to factory specifications, so your equipment operates to its maximum efficiency.

Follett LLC will not be liable for any consequential damages, expenses, connecting or disconnecting charges or any losses resulting from a defect of the machine.

For full warranty details, visit our website www.follettice.com/productwarranties.

Warranty registration and equipment evaluation is important to help us keep track of our equipment and to record the machine's performance. We request that you register Follett equipment warranties on our website www.follettice.com/support and choose Warranty Registration and Equipment Evaluation. It's simple to do; please take a moment to register today. There is also space on the form to provide us with comments and feedback. Please let us know about your experience so we can capture it for our continuous improvement efforts.

We pride ourselves on producing outstanding equipment and we work hard to back it up with outstanding customer and technical support. Please let us know what else we can do to assist you. We would be happy to answer your questions.

Ice•Device, SmartCART, SmartGATE, and Totes are trademarks of Follett LLC.
Chewblet and Follett are registered trademarks of Follett LLC, registered in US.

FOLLETT
Innovative solutions, inspired by ice

801 Church Lane • Easton, PA 18040, USA
Toll free (877) 612-5086 • +1 (610) 252-7301
www.follettice.com



207897R08
© Follett LLC 5/17