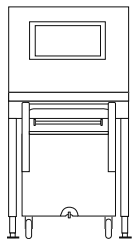


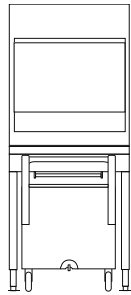
Ice Storage and Transport Systems with SmartGATE® Ice Shield

Order parts online
www.follettice.com

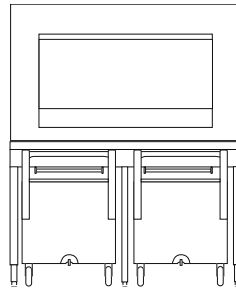
Installation, Operation and Parts Manual After Service Number A36000



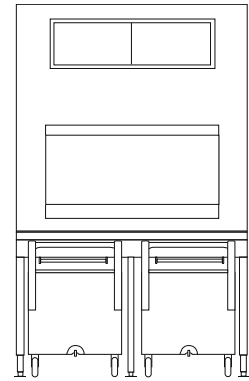
ITS500-31



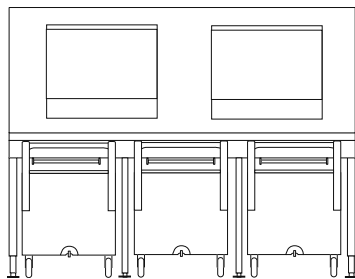
ITS700-31



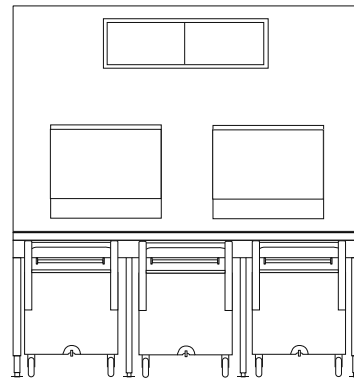
ITS1350-60



ITS2250-60



ITS1700-90



ITS3250-90

Following installation, please forward this manual to the appropriate operations person.

English

Español

Français

Contents

Welcome to Follett 3
Installation 4
Operation..... 6
Cleaning 9

Welcome to Follett

Follett Ice Storage and Transport Systems enjoy a well-deserved reputation for excellent performance and long-term reliability. To ensure that your equipment delivers this same degree of service, please read this manual carefully before installing or operating the system. If you have questions during installation or operation of this system, please call our technical service group at (877) 612-5086 or +1 (610) 252-7301.

Before you begin

After uncrating and removing all packing material, inspect the equipment for concealed shipping damage. If damage is found, notify your shipper immediately and contact Follett Corporation for help in filing a claim, if necessary.



Important cautions and operating rules

Read this manual completely before assembling or operating Ice Transport System and follow cautions and instructions listed below.

To avoid damage to Ice Transport System and injury during operation:

- Do not move Ice Transport System once icemaker has been installed
- Anchor flanged feet to floor as instructed on page 4
- Only use paddle provided to assist ice flow
- Only use cart to transport ice and reinstall carefully in bin bay when not in use

To avoid injury during operation of unit:

- Keep entire body clear of bin when breaking up ice
- Keep head and face away from paddle handle when breaking up ice
- Lock caster before scooping or shoveling ice from cart and when parked in bay
- Keep floor around Ice Transport System free of ice and water
- Always operate cart at a slow, reasonable speed

For best operation and to ensure delivery of clean, sanitary ice:

- Be sure bin system is level in both directions to provide proper drainage
- Position cart in bay before opening hopper door
- Install charcoal water filter on inlet water for icemaker
- Hang paddle implement in supplied bracket after each use
- Keep paddle clean and in good repair to avoid ice contamination
- Cover ice with cart lid when transporting
- Follow instructions in this manual for bin and cart cleaning and maintenance
- Drain melt water from cart when positioned in bay by opening drain valve
- Keep glass, dirt and other foreign objects out of bin and cart at all times

Installation

Uncrating cart

1. Remove paddle from skid by cutting plastic straps.
2. Cut strap holding front axle to skid.
3. Remove wheel chocks from skid at handle end of cart.
4. Roll cart(s) out of base section.
5. Remove tape holding lid to cart.
6. Remove lid storage bracket(s) from inside cart. (Brackets may be installed on left or right side of bin. See Installing Bin section.)

Uncrating and installing base section

1. Remove screws holding flanged feet and tie-down straps to skid and remove skid.
2. Remove packing material from inside of legs and around shutter door.
3. Position base in intended position and adjust feet to level unit in both directions.
4. Mark position of each flanged foot anchoring hole.
5. Move base out of way and install anchors for 1/4" bolts in floor (supplied by others).
6. Reposition unit in intended position and anchor base unit to floor through flanged feet.

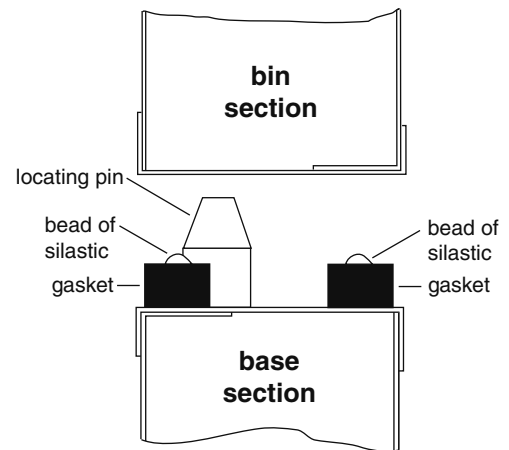


When leveling, do not extend any leg more than 1" (26mm) for total leg height no greater than 2.125" (54mm).

Legs must be secured to floor through feet to avoid possible movement and resulting injury.

Installing bin

1. Remove 4 bolts fastening skid to underside of bin.
2. Remove all protective wrap from exterior.
3. Run 1/8" bead of supplied silastic in center of each gasket band on base.
4. Install bin section on base section, taking care that locating pins in base engage holes in bin.
5. Use fasteners provided to install paddle support bracket on right or left side of bin in holes provided.
6. Remove paper from back of cart lid storage bracket(s) and position brackets on side of bin.
7. Remove all tape and temporary fastenings from door assemblies and outside of bin.
8. Mount icemaker(s) on top of bin in accordance with icemaker manufacturer's instructions.
9. Install tie-down straps.



Installing tie-down straps



Tie-down straps to secure bin to base are provided on each side of unit. Straps **MUST be installed to avoid possible injury should unit move. Bolt unit to wall for increased stability, and bolt to floor to prevent side-to-side movement.**

1. Remove screws from rivnuts on each side of bin section.
2. Reposition tie-down strap up until slot matches rivnut opening.
3. Reinstall screws in rivnuts and tighten.

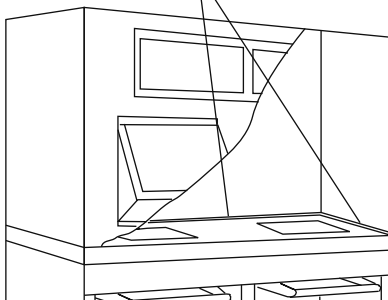
Sealing bin interior



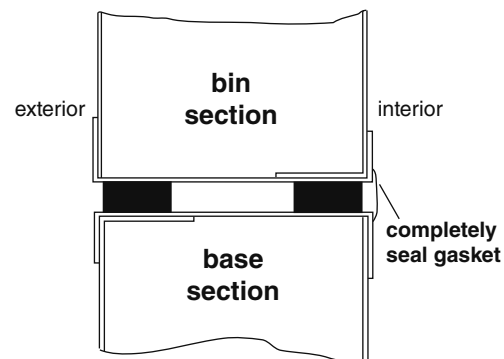
The joint between base and bin sections must be sealed with silastic to prevent leakage and/or ice contamination and potential voiding of warranty. One or more shutter doors may need to be removed to seal bin.

1. Support shutter door(s) with one hand and remove thumbscrews from side of shutter door(s) at underside of base.
2. Pivot door(s) downward to remove.
3. Gain access through this opening and seal entire perimeter of seam between bin and base with provided sealant or equivalent.
4. After sealant has set but before shutter door(s) have been reinstalled, clean inside of bin following instructions in this manual.
5. Reinstall shutter door(s).

Use sealant provided to seal **entire perimeter of seam** where base and bin section join.



Cross section of ITS sections joined



Plumbing connections

Note: It is recommended that a full width grated floor drain be installed in front of bin.

1. Units are shipped for a right side exiting drain. To drain to left, switch positions of screws in trough brackets from lower hole to upper hole on left bracket and upper hole to lower hole on right bracket.
2. Remove plug from left side of drain trough and insert in right side.
3. Connect drain line to 1 1/4" PVC slip fit drain fitting.
4. Make final connections to icemaker.

Affixing operating labels

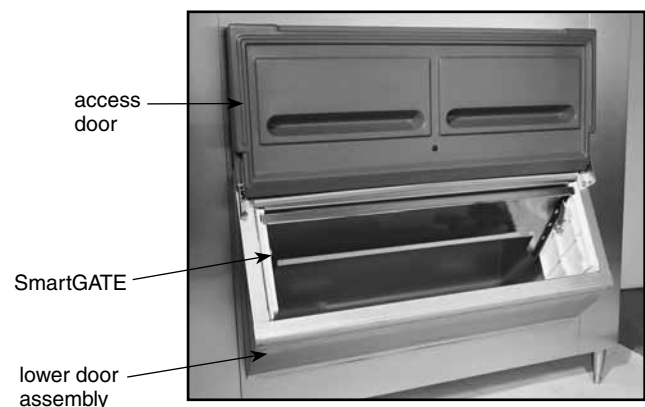
Operating labels taped to base front educate staff to shutter door operation. If desired, these labels can be affixed **permanently** by peeling off back paper and affixing in locations desired.

Note: Adhesive backing is extremely strong and labels cannot be easily removed once installed.

Removing lower door assembly

(only if required for access through narrow doors)

1. With lower access door closed remove Phillips head screw and washer from hinge area on each side of lower access door.
2. Insert screwdriver between door and hinge bracket on one side of door and gently push against bracket to provide room for door stud to clear bracket.
3. Remove access door.
4. Pull up on SmartGATE to remove.
5. Remove three or four (3 or 4) screws along top of door assembly.
6. Pull forward on assembly and remove.



Reinstalling door assembly

1. Reinstall lower door assembly in bin opening.
2. Reinstall three or four (3 or 4) screws in hood at top of door assembly.
3. Reinstall SmartGATE in side panel tracks and push down to seat.
4. With door closed insert one door stud through hinge bracket.
Note: For proper operation the access door must be reinstalled in the closed position.
5. On other side, insert screwdriver between door and hinge bracket and gently push against bracket to provide room for door stud to clear bracket.
6. Reinstall washers and screws in lift door and tighten.
7. Check door to ensure proper operation.

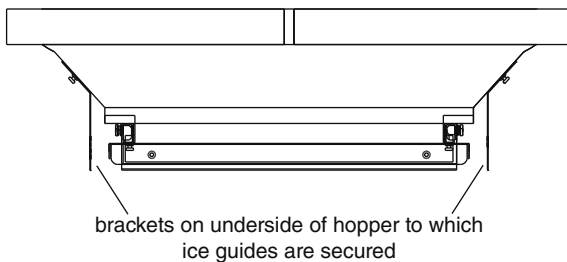
Ice guide adjustment

Some ice types are very “slippery” and may flow over sides of cart when exiting hopper. Ice guides hang down below hopper and help contain flowing ice inside cart.

Guides are installed in highest position at factory, providing 3/4" clearance to top of cart when legs are in full down position. If legs are adjusted up during leveling of Ice Transport System, ice guides should be lowered to maintain 3/4" (19mm) clearance. Access to sides of Ice Transport System is required to perform operation.

To reposition ice guides after legs have been adjusted:

1. Position cart (with totes, if so equipped) in bay below shutter door opening.
2. Determine amount guides must be lowered to maintain 3/4" (19mm) clearance.
3. Remove thumbscrews holding guides.
4. Select hole to reposition guide at proper level and resecure with thumbscrew.
5. Repeat process for each bay in system.



Operation

Cart drain operation

1. Position cart all the way in bay.
2. Lock caster to prevent cart movement.
3. To open drain, pull knob out.
4. To close, push knob in.

PUSH TO CLOSE

Cart lids

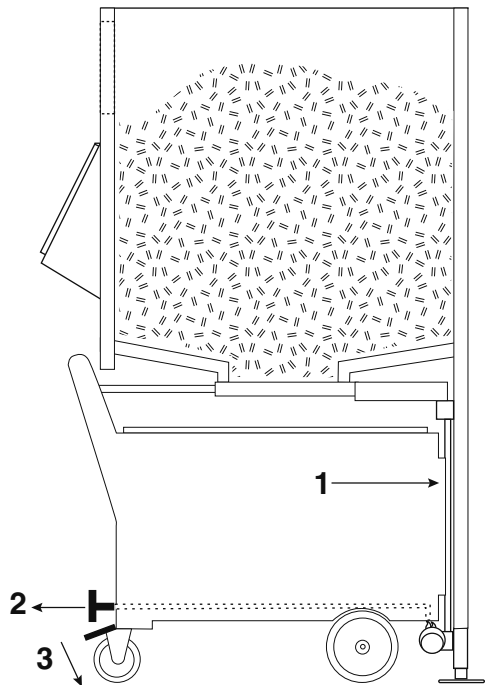
1. Hang cart lids on brackets on bin side when carts positioned in bay.
2. Remove from bracket and place lid on cart when transporting ice.
3. To avoid placing lid on floor, position lid horizontally on cart lip, resting lid against cart handle when unloading ice from cart.
4. Reinstall lid in bracket on side of bin before placing cart in bay.

Ice Transport System operation

A

Pushing cart into bay

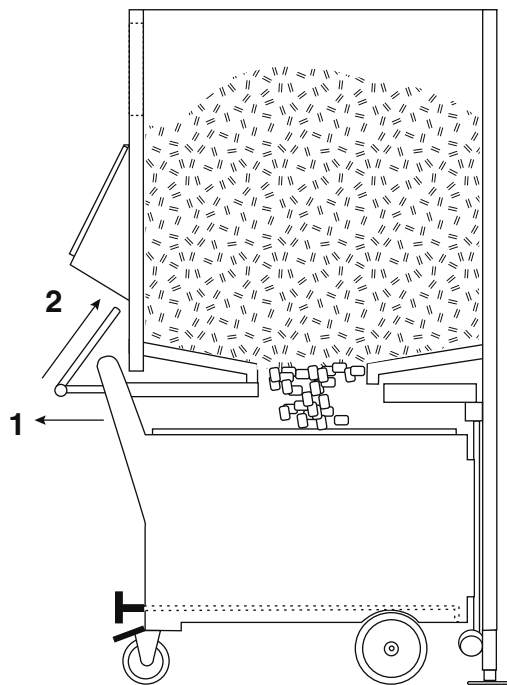
1. PUSH cart all the way to back.
2. PULL cart drain open.
3. Lock brake on caster DOWN.



B

Loading ice

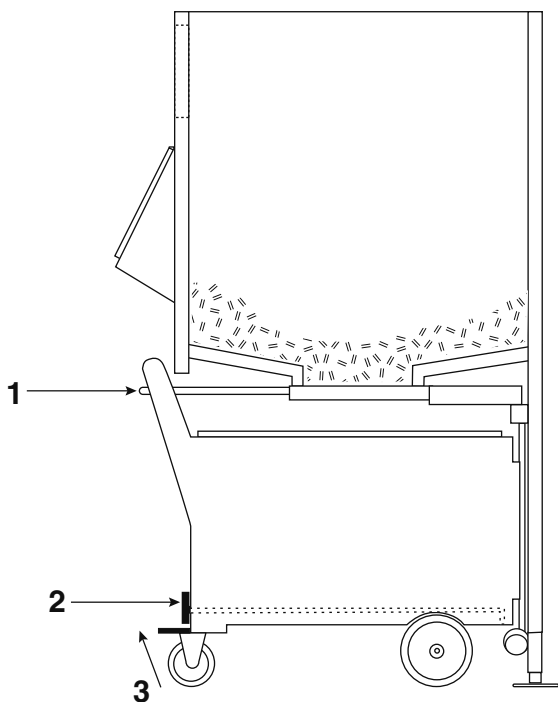
1. PULL shutter handle open.
2. Store handle up against bin.



C

Pulling cart out

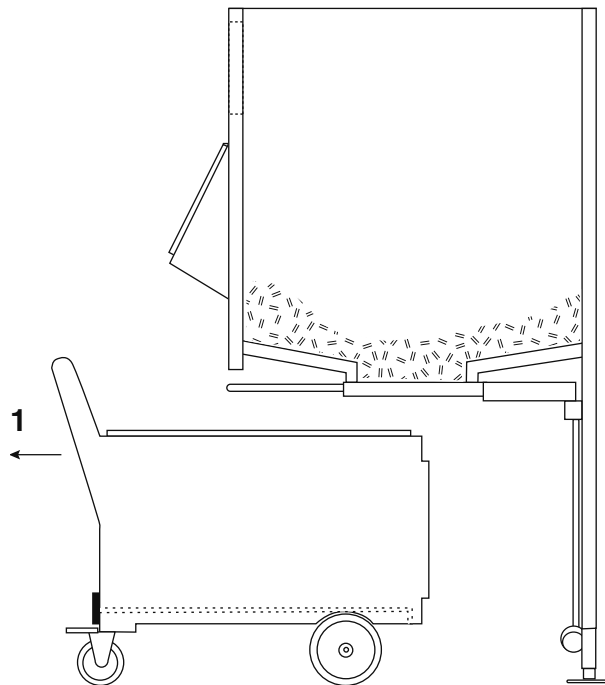
1. PUSH shutter handle closed.
2. PUSH cart drain closed.
3. Release brake on caster.



D

Transporting ice

1. PULL cart from base.
2. Place lid on cart.



English

Breaking ice bridges

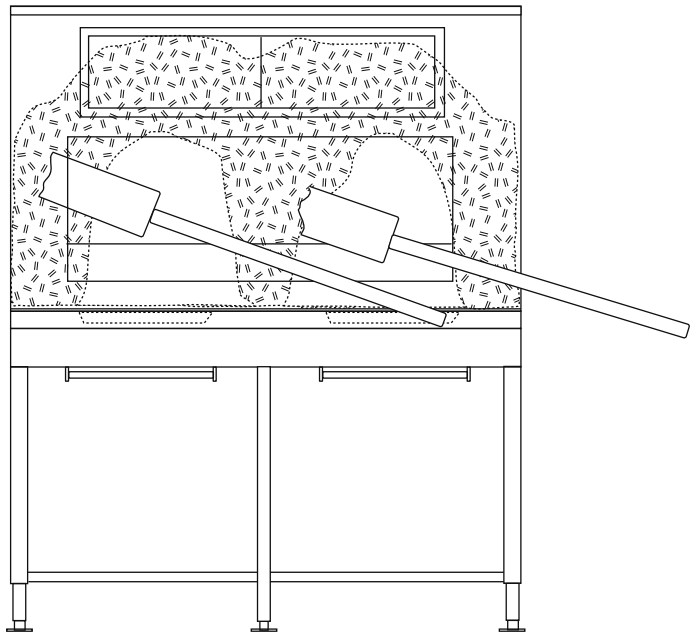
It may be necessary to use the paddle to break up ice bridges that occur along the sides and in the middle of the bin. This often happens if ice has been held in storage for a period of time without use. Use supplied paddle accessory to break up bridges.



Do NOT dig up at ice. Instead, break away “legs” that are holding bridges. Ice above will then fall.

To avoid injury, do not attempt to break up bridged ice through upper windows or hopper shutter door. A falling ice bridge can cause paddle to lift. Keep head and face away from paddle handle to avoid injury.

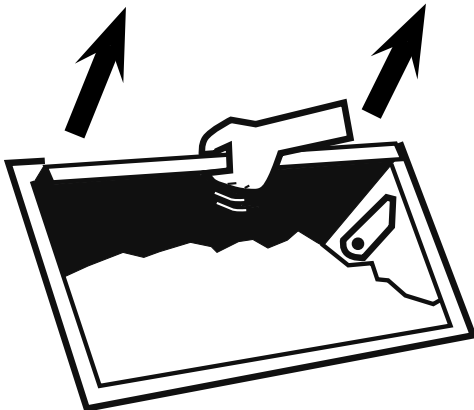
1. Completely knock down all ice from sides and back of bin.
2. Knock down any bridge that has occurred in middle.
3. Agitate paddle back and forth to break up congealed ice mass.



SmartGATE operation

SmartGATE can be adjusted and locked at one of several levels to accommodate flow characteristics of different types of ice.

Bin is shipped with SmartGATE in full down position. SmartGATE can be raised and locked in higher position for better flow or when more access is needed.



Cleaning



Clean and sanitize bin and cart(s) interiors prior to use and on regular schedule as needed. Use non-chlorine based cleaner and sanitizer suitable for use in a food zone. Do NOT use chlorine-based cleaners, which can cause staining and pitting of stainless steel components. Do not run Totes through a dishwasher. Turn off icemaker(s) and remove ice from bin before beginning.

Bin drain system cleaning

1. Remove upper tray(s) and wash with cleaning solution, rinse and reposition in brackets.
2. Saturate a cloth with cleaning solution and insert through a loop in end of a piece of wire.
3. Feed wire through vertical drain tube, and pull wire and cloth through tube.
4. Pour 1 gallon (4L) hot water into lower drain trough.

Drain tray cleaning

1. Remove two thumbscrews on side of drain tray and pull drain tray forward to remove.
2. Wash with an approved cleaner.

Shutter doors and rails

1. Support hopper shutter door with one hand and remove thumbscrews from side of hopper shutter door at under side of base section.
2. Pivot door down to remove.
3. Wash door, rinse thoroughly and sanitize.
4. Remove thumbscrews holding front and rear of shutter tracks.
5. Wash tracks, rinse thoroughly and sanitize.

Cart and cart drain system

1. Wash cart liner with an approved cleaner.
2. Rinse and sanitize.

Cleaning bin before use and ongoing bin maintenance

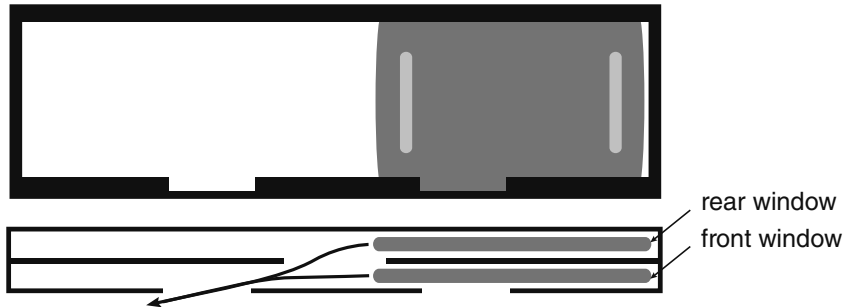
Interior of bin must be cleaned and sanitized prior to use and should be cleaned on routine basis during use (see next page).

Interior bin care

Follett ice storage bins with SmartGATE are equipped with polyethylene liner walls which should be cleaned and sanitized periodically with Ecolab Mikro-chlor Cleaner or any product suitable for use in a food zone.

Important: Follett Corporation recommends installing a properly-sized, activated carbon (charcoal) water filter on water supply to icemaker to remove chlorine.

1. Remove upper inspection windows by sliding windows to one side. Grasp the end of the front window and pull toward you as the window is slid to the opposite side. Repeat for rear window.



2. Wash bin walls, hopper, access door plate and partition (if any), rinse and sanitize.

Exterior bin care

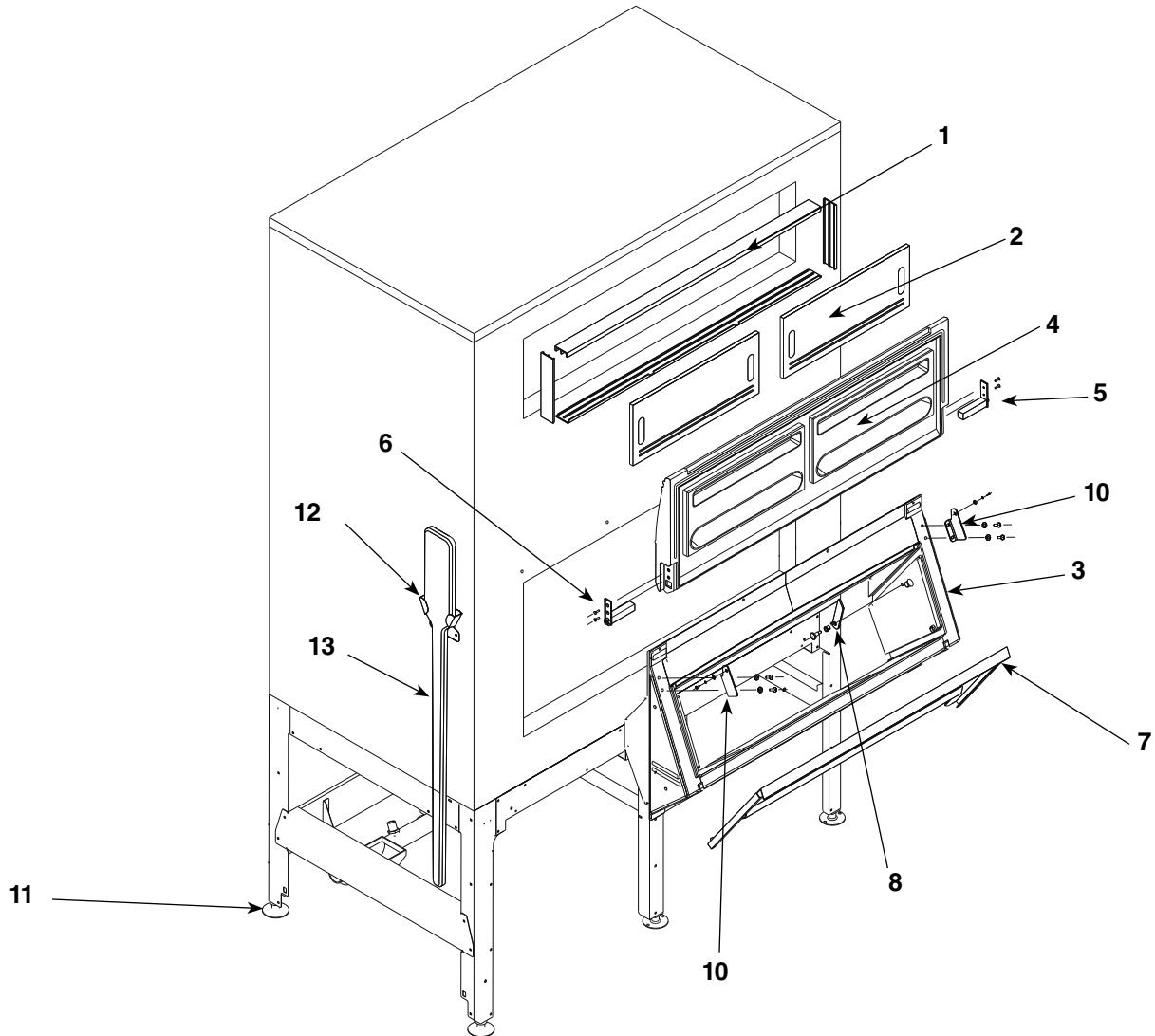
Exterior stainless steel surfaces can be cleaned with a stainless steel cleaner such as 3M Stainless Steel Cleaner & Polish or equivalent.

Technical assistance available toll free

Should you have any questions concerning installation or maintenance of Follett ice storage bins, please call our technical service department at (877) 612-5086 or +1 (610) 252-7301 between 8 a.m. and 5 p.m. Eastern time.

Replacement parts

Order parts online
www.follettice.com

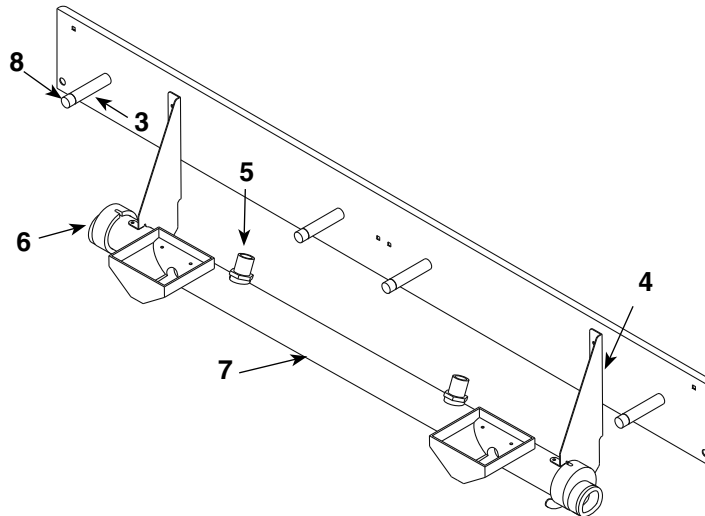
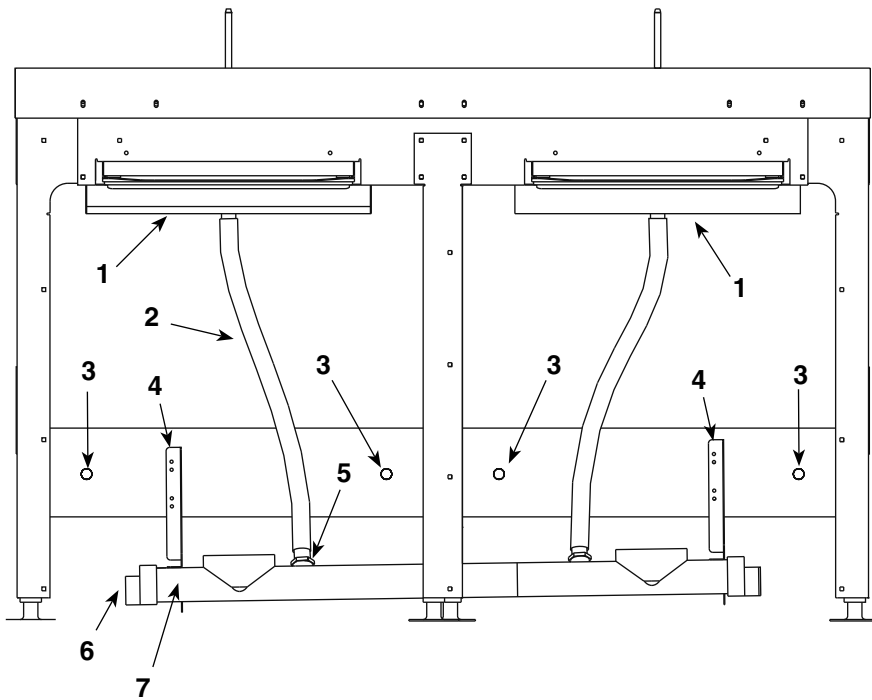


English

Reference #	Description	Part #
1	Track, inspection window, 42" (used with 502237 window) - 3200/2250	501277
Not shown	Track, inspection window, 27" (used with 502264 window) - 500	501401
2	Inspection window, 21.125"W x 8.625"H (2 used per bin) - 3200/2250	502237
Not shown	Inspection window, 12.5"W x 9"H (2 used per bin) - 500	502264
3	Frame assembly, lower door, 45" (includes 502177 & 502182)	502361
Not shown	Frame assembly, lower door, 28" (includes 502176 & 502181)	502365
4	Door, outer lift, 45" (includes 502178 & 502179)	502177
4	Door, outer lift, 28" (includes 502178 & 502179)	502176
5	Hinge, RH door mount (includes hardware)	502179
6	Hinge, LH door mount (includes hardware)	502178
7	Ice Gate, 40", w/o holes	502182
7	Ice Gate, 24", w/o holes	502181
8	Catch, Ice Gate	502185
10	Hinge bracket, bin mount, LH/RH, (pair, includes hardware)	502180
Not shown	Strap, hold down	502214
11	Foot, flanged (1), bolt base	502196
12	Bracket, ice paddle	502064
13	Paddle, ice	502063
Not shown	Shovel, ice	501796
Not shown	Bracket, ice shovel	502360

Drain system

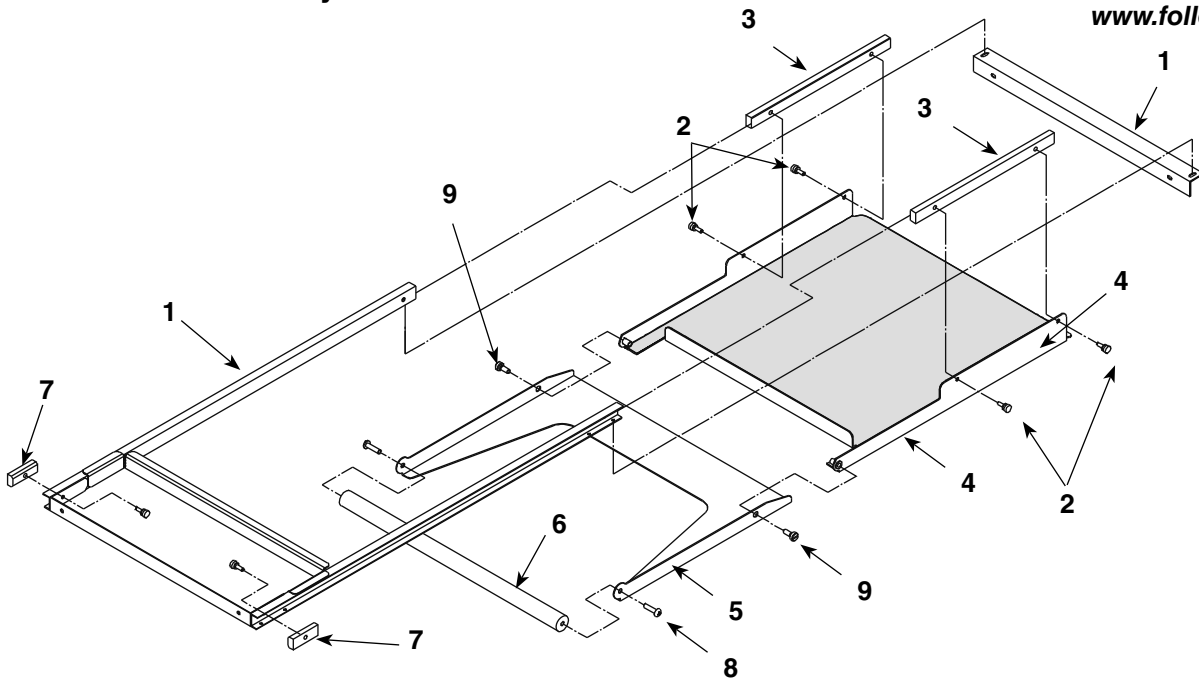
Order parts online
www.follettice.com



Reference #	Description	Part #
1	Drain pan upper – includes (2) 501100	502847
2	Vertical drain tube	502848
3	Bumper, and stud – includes 502865	502849
4	Bracket, lower drain trough	502850
5	Drain fitting, vertical drain tube to lower trough	502851
6	End cap, lower drain trough	502852
7	Drain trough – includes (2) 502852 (single bay – ITS500, ITS700)	502853
7	Drain trough – includes (2) 502852 (double bay – ITS1350, ITS2250)	502854
7	Drain trough – includes (2) 502852 (triple bay – ITS1700, ITS3250)	502855
8	Cap, bumper	502865
9	1" MPT x 1" barb 90° fitting	00148965
10	Drain assembly	206011

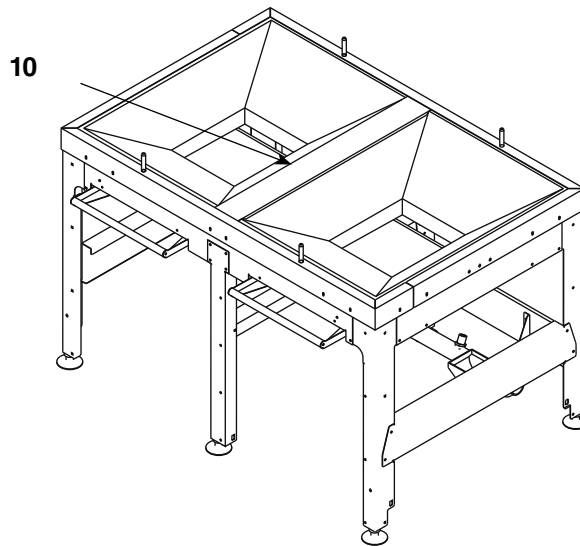
Shutter door assembly

Order parts online
www.follettice.com



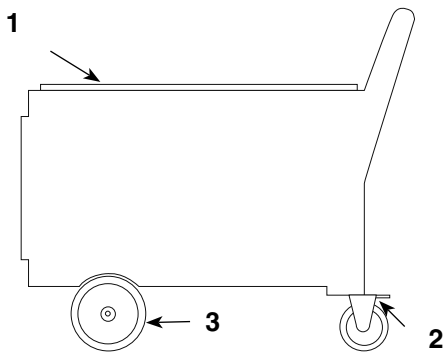
Reference #	Description	Part #
1	Track, shutter door – includes (2) 502272, (8) 501100	502864
2	Thumbscrew, 10-32 X 1/2"	501100
3	Bearings (2), shutter door, nylon 11-7/16" – includes (4) 501100	502269
4	Shutter door – (includes 502857 and (2) 502272)	502856
5	Shutter door, handle assembly – includes 502858	502857
6	Rod handle, shutter door – includes (2)502859	502858
7	Spacer, bearing – includes 501100	502272
8	Screw, shutter handle rod	502859
9	Shoulder screw, handle shutter door	502860
10	Cover, joint, two and three bay, blue hopper	00112821
Not shown	Ice guide – includes (2) 501100	502861
Not shown	Bracket, ice guide – includes (2) 501100	502863

Multi-bay joint cover

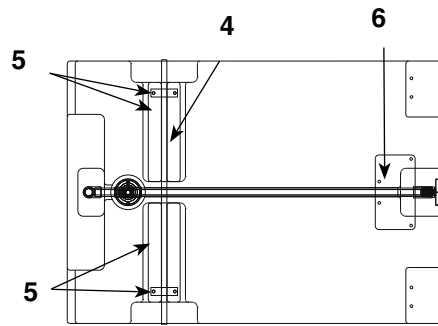


Cart

Order parts online
www.follettice.com



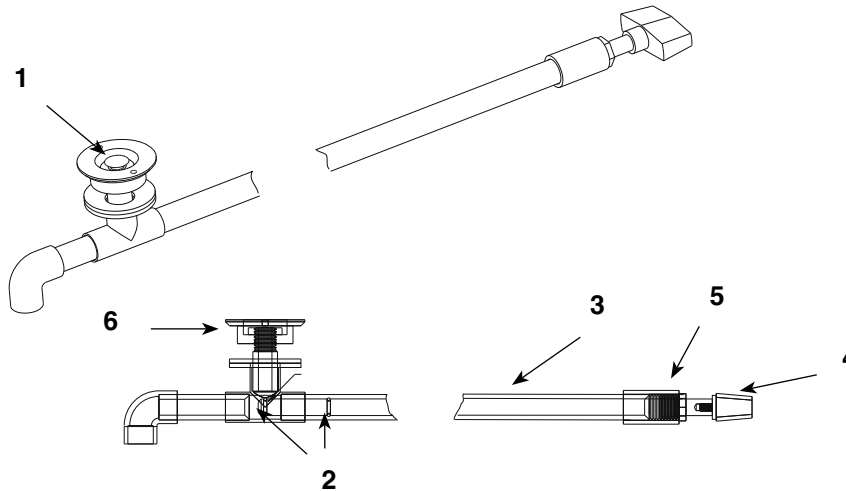
Side view – cart



Bottom view – cart

Reference #	Description	Part #
1	Lid	501744
2	Caster, swivel, locking, (includes mounting bolts & lock washers)	502529
Not shown	Bushing, 8" wheel, Rhombus	502531
3	Wheel, 8", fixed (includes 2 cotter pins & 2 washers)	502530
4	Axle, 24.125" (includes 2 cotter pins & 4 washers)	502332
5	Strap, axle (2 required per axle)	502028
6	Plate, drain support	502061
Not shown	Bracket, lid holder	502055
Not shown	Ice removal Tote (1)	502263
Not shown	Handle, Tote	502097
Not shown	Washer, axle	502230
Not shown	Cotter pin	502040

Cart drain

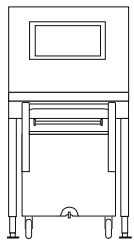


Reference #	Description	Part #
All	Drain assembly (includes entire assembly shown)	502021
1	Vent plug	502106
2	O-ring, drain assembly	502022
3	Rod, drain (includes 502061 plate drain support)	502217
4	Knob, drain	502029
5	Retaining bushing	502289
6	Fitting, drain assembly	501743

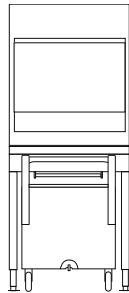
Sistemas de almacenamiento y transporte de hielo con placa de flujo SmartGATE®

Pida sus piezas en internet
www.follettice.com

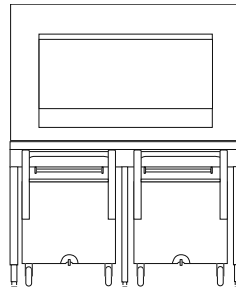
Manual de instalación, uso y piezas
Para modelos a partir del A36000



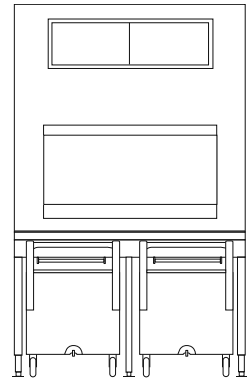
ITS500-31



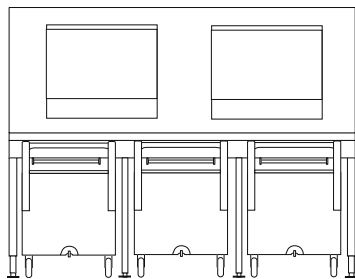
ITS700-31



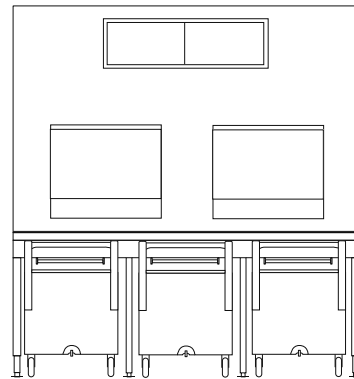
ITS1350-60



ITS2250-60



ITS1700-90



ITS3250-90

Tras su instalación, entregue este manual a la persona encargada del funcionamiento de este equipo.

Español

Indice

Instalación	4
Funcionamiento	6
Limpieza	9
Piezas.....	11

Bienvenidos a Follett

Los sistemas de almacenamiento y transporte de hielo de Follett cuentan con una bien ganada reputación por su excelente rendimiento y su gran fiabilidad a largo plazo. Para asegurarse de que su equipo ofrezca el mismo nivel de servicio, lea detenidamente este manual antes de instalar o poner en funcionamiento el sistema. Si tiene cualquier pregunta durante la instalación o funcionamiento de este sistema, llame a nuestro equipo de servicio técnico al +1-610-252-7301.

Antes de empezar

Después de sacar todo el contenido de las cajas y retirar el material de empaque, inspeccione el equipo para determinar si hubo algún daño invisible durante el envío. Si encuentra algún daño, notifique al transportista inmediatamente y contáctese con Follett Corporation para ayudarle a llenar un formulario de reclamo, si es necesario.



Precauciones importantes y normas de funcionamiento

Lea detenidamente todo el manual antes de montar o accionar el Sistema de transporte de hielo y siga las precauciones e instrucciones indicadas a continuación.

Para evitar daños en el Sistema de transporte de hielo y accidentes durante su uso:

- No mueva el sistema de transporte de hielo una vez instalado la unidad fabricadora de hielo.
- Fije los pies de la unidad al suelo tal y como se indica en la página 4.
- Utilice únicamente la pala suministrada para ayudar al trasvase del hielo.
- Utilice únicamente el carrito para transportar el hielo y colóquelo con cuidado en el espacio reservado para el carrito bajo el depósito cuando no lo utilice.

Para evitar accidentes durante el funcionamiento de la unidad:

- Mantenga su cuerpo alejado del depósito mientras retira el hielo acumulado.
- Mantenga la cabeza y el rostro alejados del mango de la pala mientras retira el hielo acumulado.
- Bloquee las ruedas antes de retirar hielo del carrito cuando se encuentre en el espacio reservado para el carrito bajo el depósito.
- Mantenga el suelo que rodea al sistema de transporte de hielo libre de agua y hielo.
- Utilice siempre el carrito a una velocidad lenta y razonable.

Para el mejor funcionamiento y para obtener hielo limpio e higiénico:

- Asegúrese de que el sistema del depósito está nivelado en ambas direcciones para lograr un vaciado adecuado.
- Coloque el carrito en el espacio reservado para el carrito bajo el depósito antes de abrir la compuerta de salida.
- Instale el filtro de agua y carbón vegetal en la entrada de agua de la máquina de hacer hielo.
- Deje colgada la pala en el soporte suministrado después de cada uso.
- Mantenga la pala limpia y en buen estado para evitar la contaminación del hielo.
- Cubra el hielo con la tapa del carrito durante el transporte.
- Siga las instrucciones de este manual para la limpieza y mantenimiento del depósito y del carrito.
- Retire el agua proveniente del hielo fundido del carrito cuando esté en el espacio reservado para el carrito bajo el depósito, mediante la apertura de la válvula de vaciado.
- Mantenga el cristal, la suciedad y otros objetos extraños alejados del depósito y del carrito en todo momento.

Instalación

Desembalaje del carrito

1. Retire la pala del soporte cortando las tiras de plástico.
2. Corte las tiras que sujetan el eje delantero al soporte.
3. Quite las cuñas de las ruedas del soporte, en el extremo del asa del carrito.
4. Saque el/los carrito(s) de la sección base.
5. Retire la cinta adhesiva que sujeta la tapa al carrito.
6. Retire los soportes de almacenamiento de la tapa del interior del carrito (los soportes pueden instalarse en el lado izquierdo o derecho del depósito. Véase la sección Instalación del depósito).

Desembalaje e instalación de la sección base

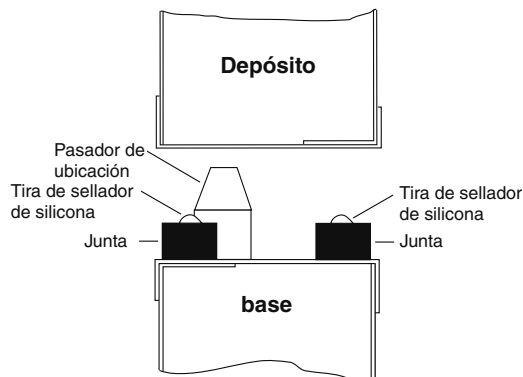
1. Quite los tornillos que sujetan los pies y las grapas metálicas de sujeción al soporte, y retire el soporte.
2. Retire el material de embalaje del interior de las patas y alrededor de la compuerta.
3. Coloque la base en su posición y ajuste los pies para nivelar la unidad en ambas direcciones.
4. Marque la posición de los orificios de anclaje de cada pie.
5. Retire la base de su posición y coloque anclajes para tornillos de 6 mm en el suelo (suministrados por terceros).
6. Vuelva a colocar la unidad en su posición y fije la unidad base al suelo mediante los pies de fijación.



**Al nivelar, no extender ninguna pata más de 26 mm para que la altura total de las patas no supere las 54 mm.
Las patas deben fijarse al suelo a través de los pies para evitar posibles movimientos que puedan provocar accidentes.**

Instalación del depósito

1. Quite los 4 pernos que sujetan el soporte a la parte inferior del depósito.
2. Retire el envoltorio protector del exterior.
3. Coloque una tira de 3 mm de sellador de silicona (Silastic) en el centro de cada banda de juntas de la base.
4. Coloque la sección del depósito sobre la sección base, con cuidado de colocar los pasadores de la base encarados con los orificios del depósito.
5. Utilice los elementos de fijación suministrados para instalar el soporte de la pala en el lado izquierdo o derecho del depósito, en los orificios realizados a tal fin.
6. Retire el papel de la parte trasera de los soportes de almacenamiento de la tapa del carrito y coloque los soportes en el lateral del depósito.
7. Quite toda la cinta adhesiva y las fijaciones temporales de las compuertas y del exterior del depósito.
8. Monte las unidades de fabricación de hielo en la parte superior del depósito, de acuerdo con las instrucciones del fabricante de las unidades de fabricación de hielo.
9. Coloque las grapas metálicas de fijación.



Instalación de las grapas metálicas



Coloque las grapas metálicas de fijación para asegurar el depósito a la base en cada uno de los lados de la unidad. Las grapas metálicas **DEBEN instalarse para evitar posibles accidentes por movimiento de la unidad. Fije la unidad a la pared con pernos para aumentar la estabilidad, y al suelo para evitar los movimientos laterales.**

1. Quite los tornillos de cada lado de la sección del depósito.
2. Vuelva a colocar la grapa metálica de fijación hasta que las ranuras coincidan con las aperturas laterales.
3. Vuelva a colocar los tornillos y apriételos.

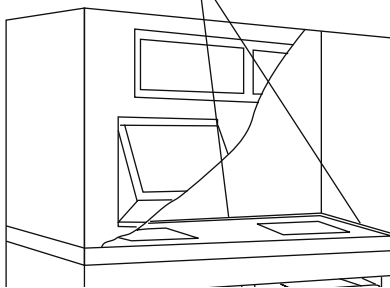
Sellado del interior del depósito



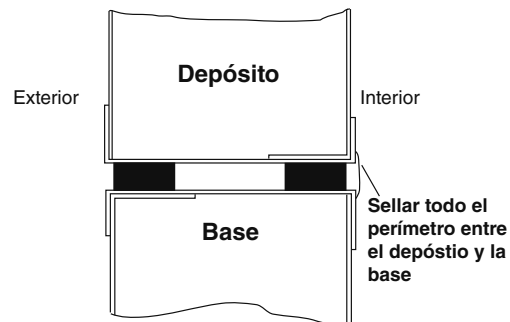
La unión entre las secciones de la base y del depósito debe estar sellada con sellador de silicona (Silastic) para evitar fugas y/o contaminación del hielo, así como la posible invalidación de la garantía. Puede que se necesite quitar una o más compuertas para sellar el depósito.

1. Sujete las compuertas de cierre con una mano y quite los tornillos del lateral de las compuertas en el lado inferior de la base.
2. Gire las compuertas hacia abajo para quitarlas.
3. Acceda a través de esta abertura y selle todo el perímetro entre el depósito y la base con el sellador suministrado o equivalente.
4. Una vez colocado el sellador y antes de reinstalar las compuertas de cierre, limpie el interior del depósito siguiendo las instrucciones de este manual.
5. Vuelva a instalar las compuertas de cierre.

Utilice el producto sellador suministrado para sellar **todo el perímetro de unión** entre el depósito y la base.



Vista transversal de la base y del depósito



Conexiones de tubos

Nota: Se recomienda instalar un drenaje de suelo de rejilla delante del depósito.

1. Las unidades se envían para una salida de drenaje en el lado derecho. Para que el drenaje se realice en el lado izquierdo, cambie las posiciones de los tornillos en los soportes desde el orificio inferior hasta el superior del soporte izquierdo, y del orificio superior al inferior en el soporte derecho.
2. Quite el tapón del lado izquierdo del tubo de drenaje e insértelo en el lado derecho.
3. Conecte el tubo de drenaje al empalme de drenaje de PVC de 32 mm.
4. Realice las conexiones finales a la máquina de fabricación de hielo.

Fijación de las etiquetas de funcionamiento

Las etiquetas de funcionamiento adheridas a la parte delantera de la base sirven para indicar al personal cómo funciona la compuerta de cierre. Si así se desea, estas etiquetas pueden fijarse de forma permanente retirando la cubierta trasera de papel y pegándolas en las ubicaciones deseadas.

Nota: el adhesivo de estas etiquetas es extremadamente fuerte y las etiquetas no podrán quitarse con facilidad una vez colocadas.

Extracción del conjunto de la compuerta inferior

(sólo si fuese necesaria para acceder a través de las puertas estrechas)

1. Con la compuerta de acceso inferior cerrada, quite el tornillo de estrella y la arandela de la zona de la bisagra en cada lado de la compuerta de acceso inferior.
2. Inserte el destornillador entre la compuerta y el soporte de la bisagra en un lado de la compuerta y presione con cuidado contra el soporte para dar espacio al vástago y al soporte.
3. Retire la compuerta de acceso.
4. Tire hacia arriba del SmartGATE para retirarlo.
5. Quite tres o cuatro (3 ó 4) tornillos de los situados a lo largo de la parte superior del conjunto de la compuerta.
6. Tire hacia delante del conjunto y extráigalo.

Compuerta de acceso

Placa de flujo SmartGATE®

Conjunto de la compuerta inferior



Reinstalación del conjunto de la compuerta

1. Vuelva a instalar el conjunto de la compuerta inferior en la abertura del depósito.
2. Vuelva a colocar tres o cuatro (3 ó 4) tornillos de la cubierta en la parte superior del conjunto de la compuerta.
3. Vuelva a instalar la placa de flujo SmartGATE™ en las guías del panel lateral y asíntelo.
4. Con la compuerta cerrada, inserte un vástago de la compuerta a través del soporte de la bisagra.
Nota: para un funcionamiento adecuado, la compuerta de acceso debe volver a instalarse en la posición cerrada.
5. En el otro lado, inserte el destornillador entre la puerta y el soporte de la bisagra, y presione con cuidado contra el soporte para dejar espacio para el vástago y el soporte.
6. Vuelva a colocar las arandelas y los tornillos en la compuerta de elevación. Apriete los tornillos.
7. Compruebe si la compuerta funciona correctamente.

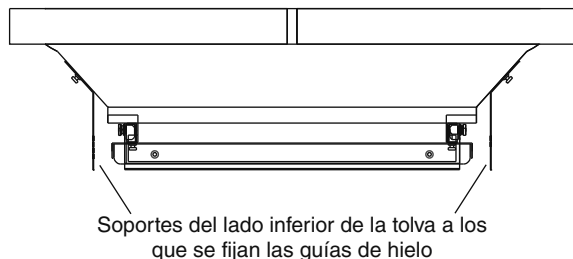
Ajuste de la guía de hielo

Algunos tipos de hielo son muy “deslizantes” y pueden saltar del carrito al salir de la tolva. Las guías para hielo cuelgan por debajo de la tolva y ayudan a contener el hielo que cae dentro del carrito.

Las guías se instalan en la posición más alta en la fábrica, proporcionando una holgura de 19 mm hasta la parte superior del carrito cuando las patas se encuentran en la posición inferior. Si las patas se ajustan más arriba durante el nivelado del sistema de transporte de hielo, las guías de hielo deberían mantener una holgura de 19 mm. Se necesita tener acceso a los lados del sistema de transporte de hielo para realizar esta operación.

Cómo volver a colocar las guías de hielo tras ajustar las patas:

1. Coloque el carrito (con cajas, si está equipado con ellas) en el espacio bajo el depósito, debajo de la apertura de la compuerta inferior.
2. Determine cuándo deben bajarse las guías para mantener 19 mm de holgura.
3. Retire los tornillos de sujetan las guías.
4. Seleccione el orificio para volver a colocar la guía en el nivel adecuado y fíjela con el tornillo.
5. Repita el proceso para cada uno de los espacios para carritos bajo el depósito.



Funcionamiento

Funcionamiento del drenaje del carrito

1. Coloque el carrito por completo en el espacio reservado para el carrito.
2. Bloquee las ruedas para impedir el movimiento del carrito.
3. Para abrir el drenaje, tire de la perilla hacia afuera.
4. Para cerrarlo, empuje la perilla hacia adentro.

EMPUJE PARA CERRAR

Tapas del carrito

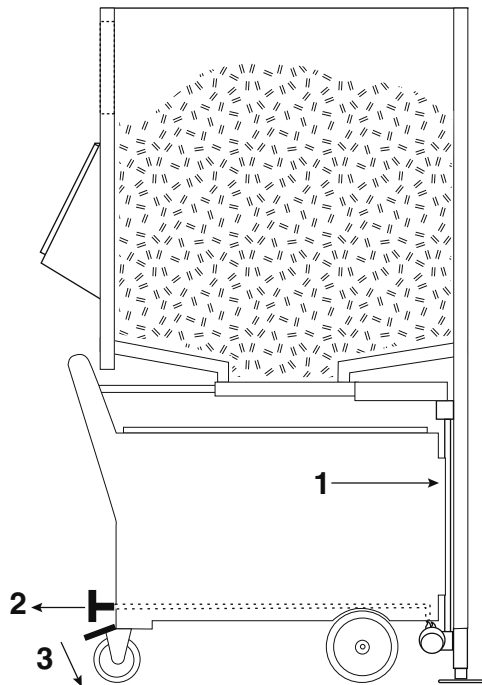
1. Cuelgue las tapas del carrito sobre los soportes situados en el lateral del depósito cuando el carrito está ubicado en el espacio reservado para el carrito.
2. Retire la tapa del soporte y colóquela sobre el carrito cuando transporte hielo.
3. Para evitar poner la tapa sobre el suelo, coloque la tapa horizontalmente en el reborde del carrito, dejando que descansa contra el asa del carrito mientras descarga hielo del carrito.
4. Vuelva a instalar la tapa en el soporte situado en el lateral del depósito antes de colocar el carrito en el espacio reservado para el carrito.

Funcionamiento del sistema de transporte de hielo

A

Colocación del carrito en el espacio bajo el depósito

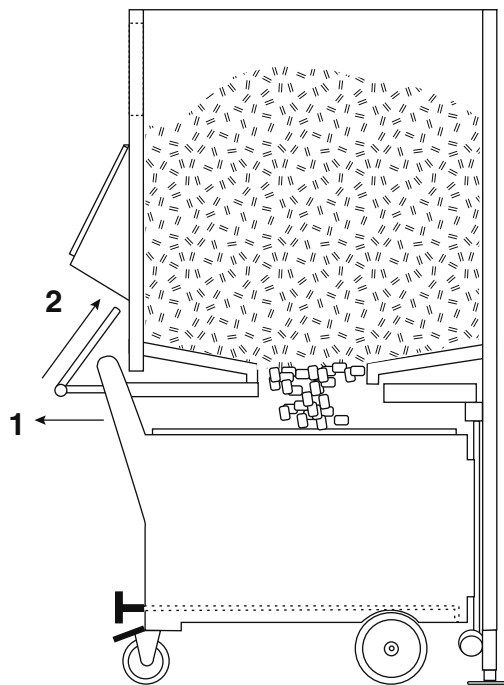
1. EMPUJE el carrito hasta el fondo.
2. TIRE del tope de vaciado del carrito.
3. Bloquee el freno de las ruedas.



B

Carga de hielo

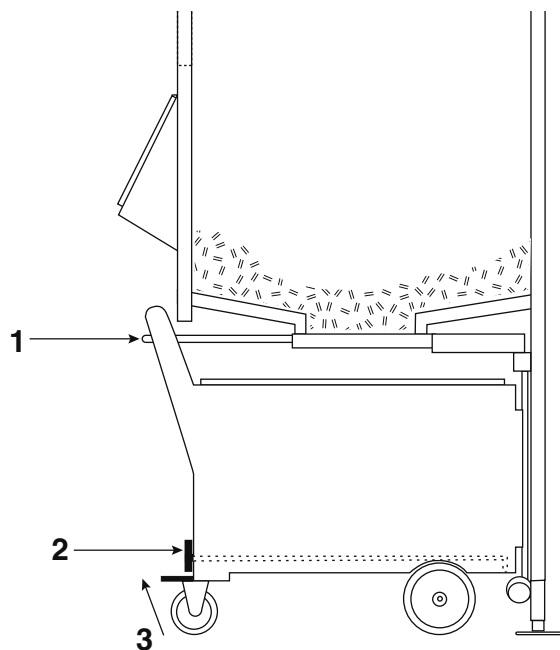
1. TIRE del mando para abrir el paso de hielo.
2. Gire del mando hacia arriba contra el depósito.



C

Extracción del carrito

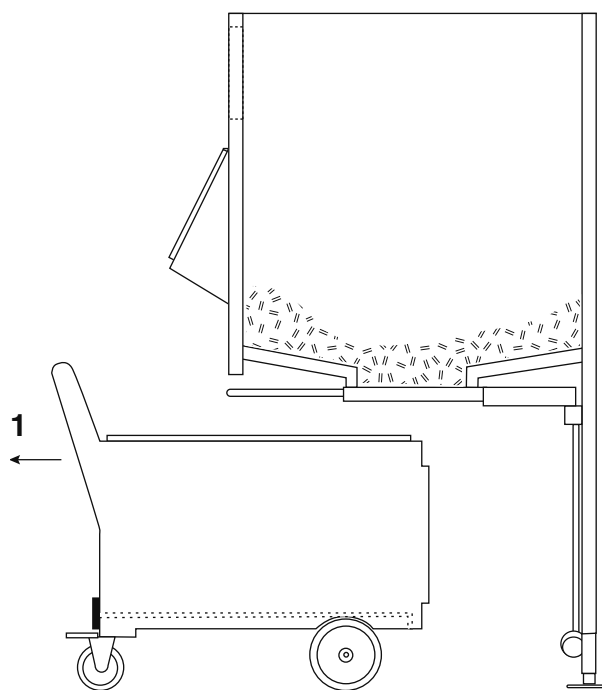
1. PRESIONE el mando de paso de hielo para cerrarlo.
2. EMPUJE el tope de vaciado del carrito para cerrarlo.
3. Libere el freno de las ruedas.



D

Transporte del hielo

1. TIRE del carrito desde la base.
2. Coloque la tapa al carrito.



Rotura de las acumulaciones de hielo

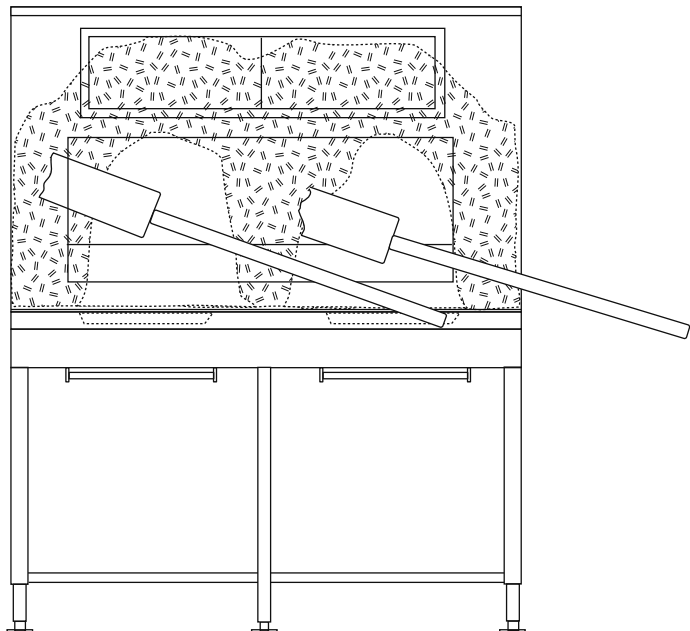
Puede que sea necesario usar la pala para romper las acumulaciones de hielo que se pueden producir en los laterales y en la zona central del depósito. Esto suele ocurrir si se ha mantenido almacenado el hielo durante un cierto periodo de tiempo sin usarlo.



NO trate de escarbar el hielo. En su lugar, rompa las “patas” que sujetan el hielo, haciéndolo caer de este modo.

Para evitar accidentes, no intente romper el hielo a través de las ventanas superiores ni a través de la compuerta de la tolva. La caída del hielo podría hacer que la pala se moviese bruscamente. Mantenga la cabeza y el rostro alejados del mango de la pala para evitar accidentes.

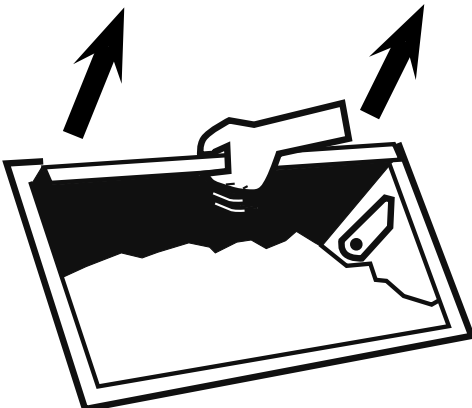
1. Rompa todo el hielo formado en los lados y en la parte trasera del depósito.
2. Retire cualquier acumulación formada en el centro del depósito.
3. Agite la pala hacia delante y hacia atrás para romper la masa congelada de hielo.



Funcionamiento de la placa de flujo SmartGATE

La placa de flujo SmartGATE puede ajustarse y bloquearse en una posición para acomodar las características del flujo de diferentes tipos de hielo.

El depósito se envía con la placa SmartGATE en posición totalmente baja. La unidad SmartGATE puede elevarse y bloquearse en una posición superior para lograr un mejor flujo y un mejor acceso.



Limpeza



Limpe de forma higrénica el interior del depósito y de los carritos antes de su uso y de forma regular. Utilice productos de limpeza y desinfectantes sin cloro idóneos para su uso en una zona para alimentos. NO use productos de limpeza con cloro, ya que pueden provocar manchas y hoyos en los componentes de acero inoxidable. No coloque las cajas de plástico en un lavavajillas. Apague las máquinas de hacer hielo y retire el hielo del depósito antes de comenzar.

Limpeza del sistema de vaciado del depósito

1. Retire las bandejas superiores y lávalas con una solución de limpeza. Enjuáguelas y vuelva a colocarlas en sus soportes.
2. Empape un trapo con solución de limpeza e insértelo a través de un bucle en el extremo de un trozo de cable.
3. Pase el cable a través del tubo de vaciado vertical, y tire del cable y del trapo a través del tubo.
4. Vierta 4 litros de agua caliente a través del canal de vaciado inferior.

Limpeza de la bandeja de vaciado

1. Quite los dos tornillos del lateral de la bandeja de vaciado y tire de la bandeja hacia delante para extraerla.
2. Lávela con un producto de limpeza autorizado.

Compuertas de cierre y raíles

1. Sujete la compuerta de la tolva con una mano y retire los tornillos del lateral de la compuerta, en el lado inferior de la sección base.
2. Gire la compuerta hacia abajo para quitarla.
3. Lave la compuerta, enjuáguela y desinfectela.
4. Quite los tornillos que sujetan las guías de cierre delanteras y traseras.
5. Lave las pistas, enjuáguelas y desinfectelas.

Carritos y sistema de vaciado de carritos

1. Lave el revestimiento de los carritos con un producto de limpeza autorizado.
2. Enjuague y desinfecte.

Limpeza del depósito antes de su uso y mantenimiento regular del mismo

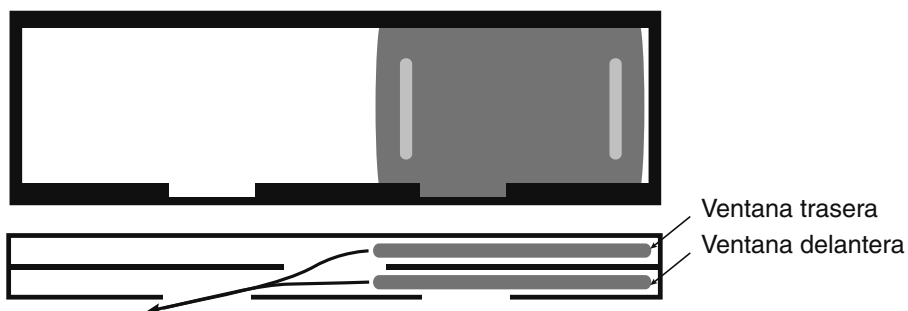
El interior del depósito debe limpiarse y desinfectarse antes de su uso, y debe limpiarse de forma regular durante su uso (véase la página siguiente).

Cuidados para el interior del depósito

Los depósitos de almacenamiento de hielo Follett con placa de flujo SmartGATE están equipados con paredes revestidas de polietileno, que deben limpiarse y desinfectarse periódicamente con el producto Mikro-chlor de Ecolab o con cualquier otro producto idóneo para su uso en zonas de alimentos.

Importante: Follett Corporation recomienda la instalación de un filtro de agua con carbón activo (carbón vegetal) de un tamaño adecuado en la entrada de agua a la unidad de fabricación de hielo para eliminar el cloro.

1. Desmonte las ventanas de inspección superiores deslizando las ventanas hacia un lado. Agarre el extremo de la ventana delantera y tire de ella hacia usted mientras la ventana se desliza hacia el lado contrario. Repita este proceso con la ventana trasera.



2. Lave las paredes del depósito, la tolva, la placa de la compuerta de acceso y la partición (si la hubiese), enjuague y desinfecte.

Cuidados para el exterior del depósito

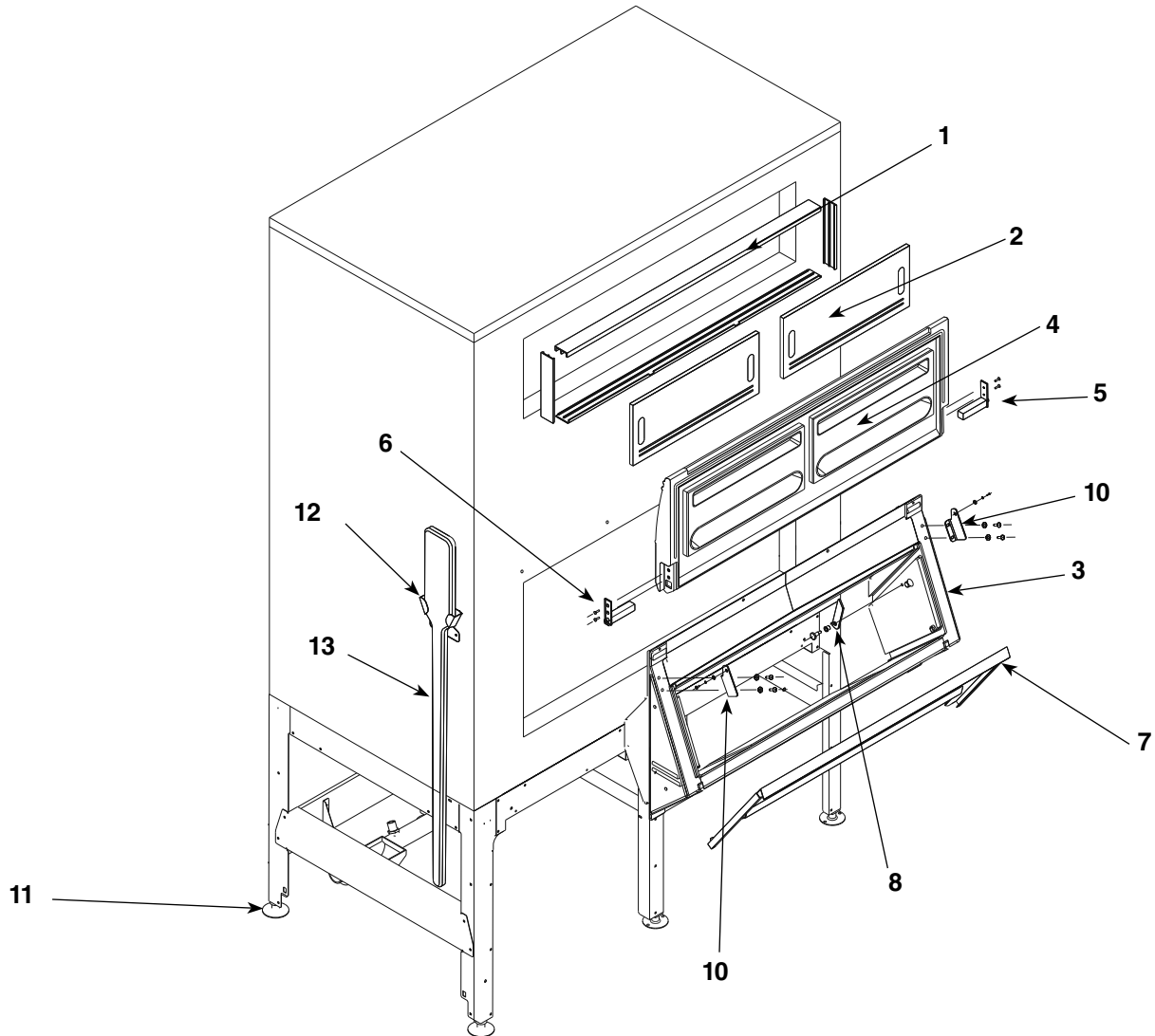
Las superficies exteriores de acero inoxidable pueden limpiarse con un producto de limpieza para acero inoxidable, como el Limpiador y pulidor para acero inoxidable de 3M o un producto equivalente.

Teléfono de asistencia técnica

Si tiene alguna pregunta acerca de la instalación o mantenimiento de los depósitos de almacenamiento de hielo de Follett, llame a nuestro departamento de servicio técnico al +1-610-252-7301, entre las 8 de la mañana y las 5 de la tarde, hora del Este de los EE.UU.

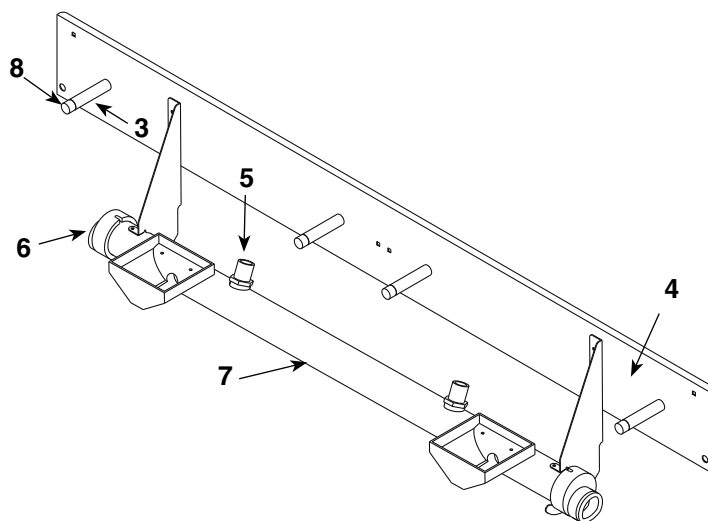
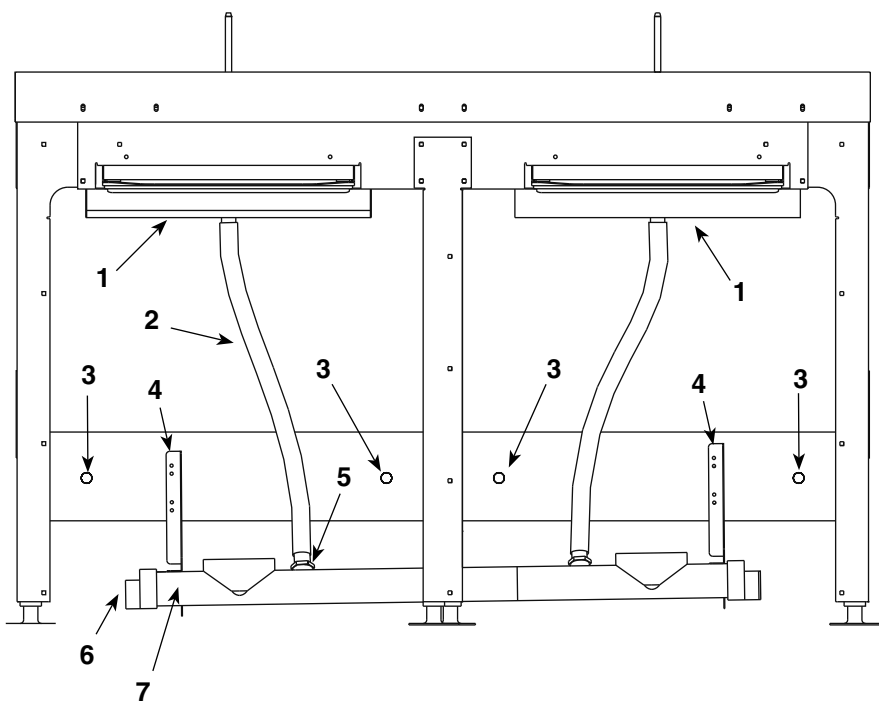
Piezas

Pida sus piezas en internet
www.follettice.com



Español

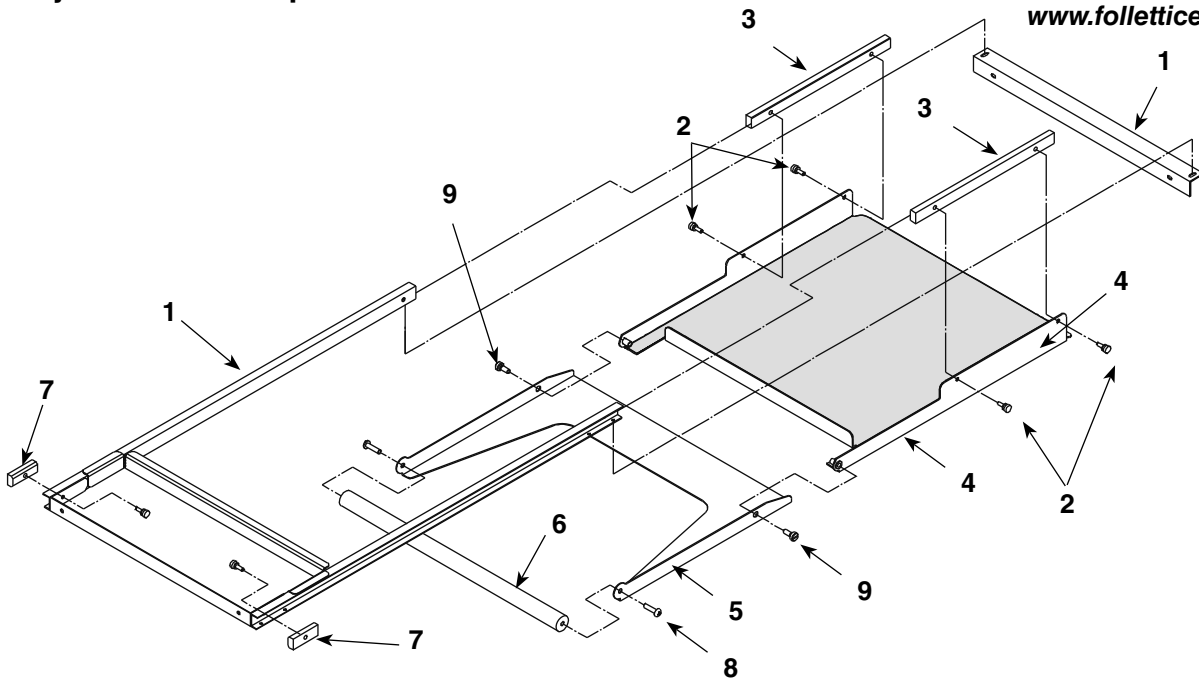
Nº de ref.	Descripción	Nº de pieza
1	Track, inspection window, 42" (used with 502237 window) - 3200/2250	501277
No se muestra	Guía, ventana de inspección, 68,5 cm (utilizada con ventana 502264) - 500	501401
2	Inspection window, 21.125"W x 8.625"H (2 used per bin) - 3200/2250	502237
No se muestra	Ventana de inspección de 31,7 cm de ancho por 22,8 cm de alto (2 por depósito) - 500	502264
3	Frame assembly, lower door, 45" (includes 502177 & 502182)	502361
No se muestra	Conjunto de bastidor, compuerta inferior, 71 cm (incluye 502176 y 502181)	502365
4	Door, outer lift, 45" (includes 502178 & 502179)	502177
4	Door, outer lift, 28" (includes 502178 & 502179)	502176
5	Hinge, RH door mount (includes hardware)	502179
6	Hinge, LH door mount (includes hardware)	502178
7	Ice Gate, 40", w/o holes	502182
7	Ice Gate, 24", w/o holes	502181
8	Catch, Ice Gate	502185
10	Hinge bracket, bin mount, LH/RH, (pair, includes hardware)	502180
No se muestra	Grapa metálica de fijación	502214
11	Foot, flanged (1), bolt base	502196
12	Bracket, ice paddle	502064
13	Paddle, ice	502063
No se muestra	Pala para hielo	501796
No se muestra	Soporte de pala para hielo	502360



Nº de ref.	Descripción	Nº de pieza
1	Drain pan upper – includes (2) 501100	502847
2	Vertical drain tube	502848
3	Bumper, and stud – includes 502865	502849
4	Bracket, lower drain trough	502850
5	Drain fitting, vertical drain tube to lower trough	502851
6	End cap, lower drain trough	502852
7	Drain trough – includes (2) 502852 (single bay – ITS500, ITS700)	502853
7	Drain trough – includes (2) 502852 (double bay – ITS1350, ITS2250)	502854
7	Drain trough – includes (2) 502852 (triple bay – ITS1700, ITS3250)	502855
8	Cap, bumper	502865
9	1" MPT x 1" barb 90° fitting	00148965
10	Drain assembly	206011

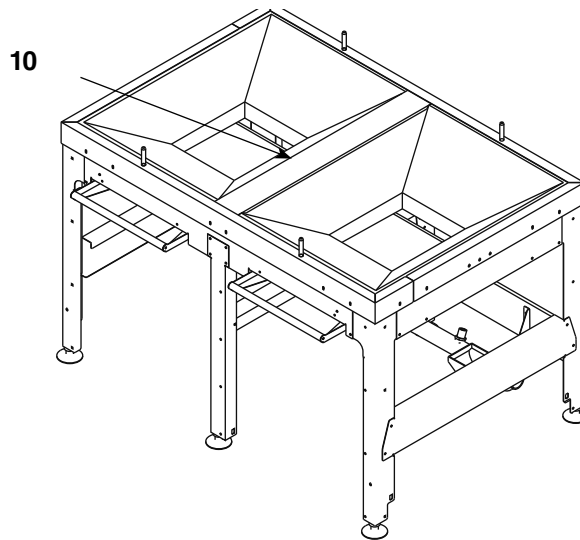
Conjunto de la compuerta de cierre

Pida sus piezas en internet
www.follettice.com



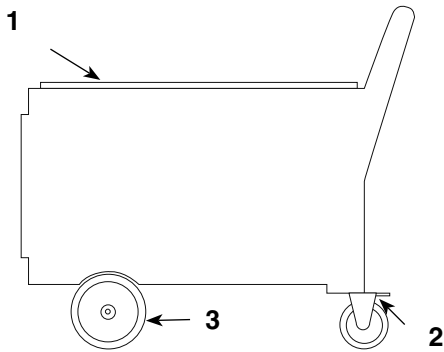
Nº de ref.	Descripción	Nº de pieza
1	Track, shutter door – includes (2) 502272, (8) 501100	502864
2	Thumbscrew, 10-32 X 1/2"	501100
3	Bearings (2), shutter door, nylon 11-7/16" – includes (4) 501100	502269
4	Shutter door – (includes 502857 and (2) 502272)	502856
5	Shutter door, handle assembly – includes 502858	502857
6	Rod handle, shutter door – includes (2)502859	502858
7	Spacer, bearing – includes 501100	502272
8	Screw, shutter handle rod	502859
9	Shoulder screw, handle shutter door	502860
10	Cover, joint, two and three bay, blue hopper	00112821
No se muestra	Guía de hielo – incluye (2) 501100	502861
No se muestra	Soporte, guía de hielo – incluye (2) 501100	502863

Cubierta de unión para modelos con varios espacios reservados para carritos

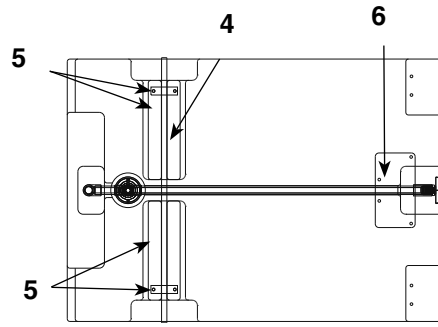


Carrito

Pida sus piezas en internet
www.follettice.com



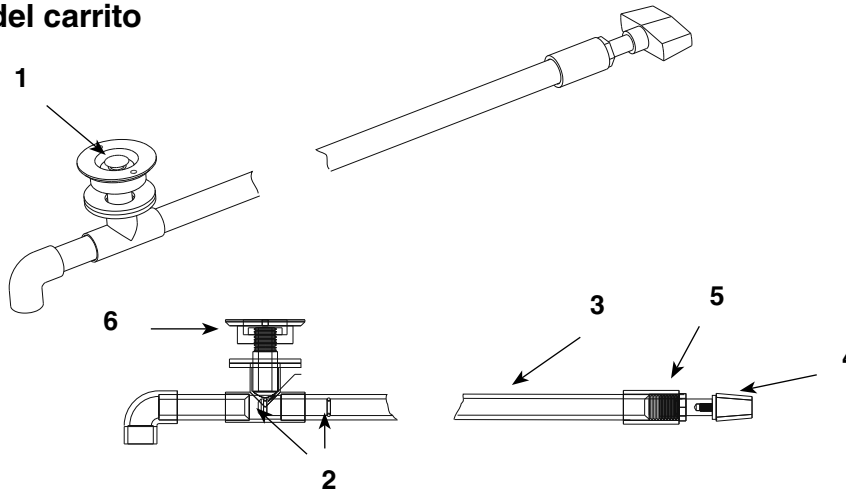
Vista lateral del carrito



Vista inferior del carrito

Nº de ref.	Descripción	Nº de pieza
1	Lid	501744
2	Caster, swivel, locking, (includes mounting bolts & lock washers)	502529
No se muestra	Casquillo, rueda de 203 mm, Rhombus	502531
3	Wheel, 8", fixed (includes 2 cotter pins & 2 washers)	502530
4	Axle, 24.125" (includes 2 cotter pins & 4 washers)	502332
5	Strap, axle (2 required per axle)	502028
6	Plate, drain support	502061
No se muestra	Soporte, soporte de tapa	502055
No se muestra	Bolsa de extracción de hielo (1)	502263
No se muestra	Asa, bolsa	502097
No se muestra	Arandela, eje	502230
No se muestra	Pasador con aletas	502040

Sistema de vaciado del carrito

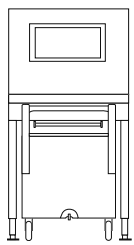


Nº de ref.	Descripción	Nº de pieza
Todos	Conjunto del sistema de vaciado (incluye el ensamble completo mostrado arriba)	502021
1	Vent plug	502106
2	O-ring, drain assembly	502022
3	Rod, drain (includes 502061 plate drain support)	502217
4	Knob, drain	502029
5	Retaining bushing	502289
6	Fitting, drain assembly	501743

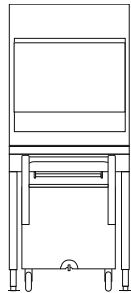
Cabines de stockage de glace avec pare-glace SmartGATE® et chariots de transport

Commande de
pièces en ligne
www.follettice.com

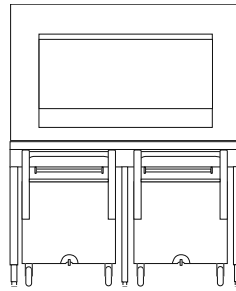
Manuel d'installation, d'utilisation et liste des pièces
Pour modèles à partir de A36000



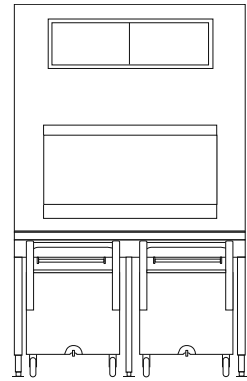
ITS500-31



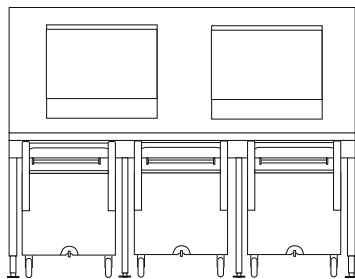
ITS700-31



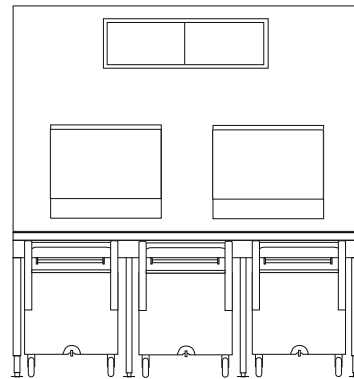
ITS1350-60



ITS2250-60



ITS1700-90



ITS3250-90

**Une fois l'installation terminée, remettez ce manuel à
l'utilisateur.**

Table des matières

Installation	4
Fonctionnement.....	6
Nettoyage.....	9
Pièces de rechange.....	11

Bienvenue à Follett

Les cabines de stockage et les chariots de transport de glace de Follett jouissent d'une réputation d'excellence bien méritée et d'une fiabilité à toute épreuve. Afin d'assurer la pérennité de l'équipement et pour que ce dernier vous offre une qualité de service constante, veuillez prendre le temps de lire cette notice avant l'installer et d'utiliser l'équipement. Dans l'éventualité où vous auriez des questions concernant l'installation ou l'utilisation de l'équipement, veuillez contacter notre service technique au +1-610-252-7301.

Avant de commencer

Après avoir déballé la machine et avoir retiré tout le matériau d'emballage, vérifiez qu'elle n'a pas été endommagée pendant le transport. Si la machine est endommagée, contactez immédiatement le transporteur ainsi que Follett Corporation afin que nous vous aidions à préparer une demande d'indemnisation, le cas échéant.



Consignes importantes de sécurité et règles d'exploitation

Lire complètement ce manuel avant d'assembler ou d'utiliser les chariots de transport et suivez les consignes et instructions ci-dessous.

Pour éviter d'endommager les chariots de transport et éviter toute blessure lors de leur utilisation :

- Ne pas déplacer les chariots de transport après avoir installé la machine à glace.
- Ancrez les pieds à rebords au sol en suivant les instructions de la page 4.
- Utilisez uniquement l'outil fourni en forme de palette afin de faciliter le débit de la glace.
- Utilisez uniquement le chariot de transport afin de transporter de la glace et remettez-le en place sous la cabine après utilisation.

Pour éviter tout risque de blessure lorsque vous utilisez l'équipement:

- Veillez à ce que toutes les parties de votre corps demeurent à l'écart de la cabine lorsque vous brisez les masses de glace.
- Veillez à ce que votre tête et votre visage demeurent loin du manche de la palette lorsque vous cassez la glace.
- Bloquez les roulettes du chariot avant de retirer de la glace avec une pelle lorsque le chariot est placé sous la cabine.
- Veillez à ce que le sol autour de la cabine et des chariots demeure propre, sans trace de glace ou d'eau.
- Veillez à toujours utiliser le chariot en le faisant rouler lentement, à une vitesse raisonnable.

Pour un fonctionnement optimal et afin d'offrir de la glace propre et dans les conditions des plus hygiéniques:

- Assurez-vous que la cabine est bien à niveau des deux côtés afin que l'eau puisse s'écouler correctement.
- Placez le chariot sous la cabine avant d'ouvrir la trappe de décharge.
- Installez le filtre à charbon sur la conduite d'arrivée d'eau de la machine à glace.
- Veillez à toujours ranger l'outil fourni en forme de palette en l'accrochant après chaque utilisation.
- Veillez à ce que l'outil fourni en forme de palette demeure propre et en bon état afin d'éviter toute contamination.
- Couvrez la glace du chariot en utilisant le couvercle lorsque vous la transportez.
- Suivez les instructions de cette notice pour le nettoyage et l'entretien de la cabine et du chariot.
- Videz toute l'eau résiduelle du chariot après l'avoir placé sous la cabine en ouvrant le robinet de vidange.
- Veillez à ce que les objets en verre, la saleté et tout corps étranger demeurent hors de la cabine et du chariot en tout temps.

Installation

Déballage du chariot

1. Retirez l'outil en forme de palette de la plateforme en bois sur lequel repose le chariot en coupant les sangles en plastique.
2. Coupez la sangle retenant l'essieu avant à la plateforme en bois.
3. Retirez les cales des roues situées sur le côté du chariot comportant la poignée.
4. Poussez ou tirez le chariot pour le sortir du socle.
5. Retirez le ruban adhésif retenant le couvercle au chariot.
6. Retirez du chariot le ou les supports qui vous permettront de ranger le ou les couvercles des chariots. (Ces supports peuvent être installés sur les côté gauche ou droit de la cabine. Voir paragraphe « Installation de la cabine ».)

Déballage et installation du socle de la cabine

1. Retirez les vis retenant les pieds à rebords et les étriers de fixation de la plateforme en bois puis retirez la plateforme.
2. Retirez l'emballage des pieds et autour de la trappe.
3. Placez le socle de la cabine à l'emplacement désiré puis réglez les pieds afin de mettre le socle de la cabine à niveau des deux côtés.
4. Marquez l'emplacement exact de chaque trou d'ancrage des pieds à rebords.
5. Déplacez le socle de la cabine afin qu'il ne vous gêne pas, puis installez les ancrages dans le sol destinés aux boulons de 6 mm que vous pouvez vous procurer auprès de votre quincaillier.
6. Remettez en place le socle de la cabine à l'emplacement désiré puis ancrez le socle au sol en insérant les boulons à travers les pieds à rebords.

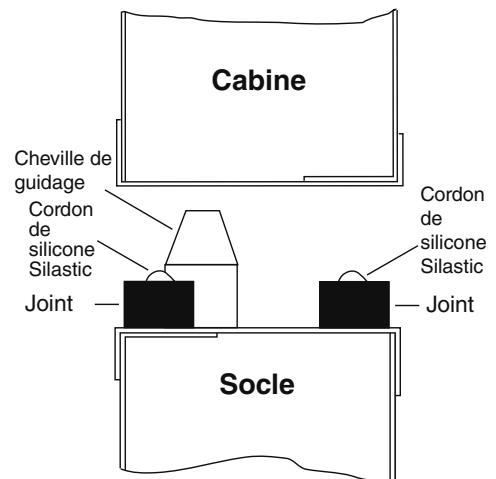


Lorsque vous mettez à niveau le socle de la cabine, veillez à ce qu'un des pieds ne dépasse pas de plus de 26 mm et que la longueur totale des pieds ne dépasse pas 54 mm.

Il est **obligatoire** d'ancrer les pieds du socle au sol en utilisant les pieds à rebords afin d'éviter tout mouvement risquant de provoquer des blessures.

Installation de la cabine

1. Retirez les quatre boulons retenant la plateforme en bois au dessous de la cabine.
2. Retirez l'emballage protecteur extérieur.
3. Appliquez un cordon de silicone Silastic de 3 mm de diamètre au centre de chaque joint du socle.
4. Installez la cabine sur son socle en faisant attention à ce que les chevilles de guidage du socle se logent dans les orifices de la cabine.
5. Utilisez les fixations fournies pour monter le support qui accueillera l'outil en forme de palette sur le côté gauche ou droit de la cabine, dans les trous prévus à cet effet.
6. Retirez l'endos autocollant du dos de la (ou des) fixation(s) du couvercle du chariot et placez les fixations sur le côté de la cabine.
7. Retirez tout le ruban adhésif et les fixations temporaires des portes et de l'extérieur de la cabine.
8. Installez la ou les machines à glace sur le dessus de la cabine conformément aux instructions du fabricant de la machine à glace.
9. Installez les étriers de fixation retenant la cabine au socle.



Installez les étriers de fixation



Les étriers de fixation qui serviront à fixer la cabine sur le socle sont fournies de chaque côté. Il est **OBLIGATOIRE** d'installer les étriers afin d'éviter toute blessure si la cabine vient à bouger. Ancrez la cabine au mur pour une meilleure stabilité et ancrez-la au sol afin d'éviter tout mouvement latéral.

1. Retirez les vis des écrous à river de chaque côté de la cabine.
2. Modifiez la position de l'étrier afin que le cran corresponde à l'ouverture de l'écrou à river.
3. Remettez en place les vis et les écrous à river, puis serrez-les.

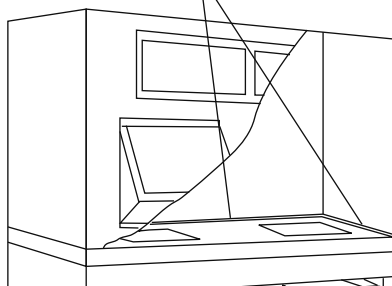
Étanchéiser l'intérieur de la cabine



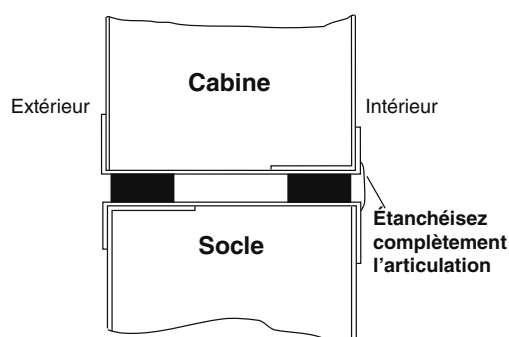
L'articulation entre le socle et la cabine doit être étanchéisé avec un gel de silicone silastic afin d'éviter toute fuite et contamination qui risquerait de rendre la garantie nulle et non avenue. Vous devrez retirer au moins un des volets de la trappe avant d'étanchéiser la cabine.

1. Tout en soutenant d'une main le (ou les) volet(s) de la trappe, retirez les vis de serrage d'un côté de la trappe de la goulotte de décharge et sous le socle.
2. Faites pivoter le (ou les) volet(s) de la trappe vers le bas pour les retirer.
3. Accédez à l'intérieur de la cabine par cette ouverture et étanchéisez tout le tour de l'articulation entre la cabine et le socle en utilisant le mastic d'étanchéité fourni ou un produit d'étanchéité équivalent.
4. Après avoir laissé durcir le mastic d'étanchéité mais avant d'avoir remis en place le (ou les) volet(s) de la trappe, nettoyez l'intérieur de la cabine en suivant les instructions de ce manuel.
5. Remettez en place le (ou les) volet(s) de la trappe.

Utilisez le mastic d'étanchéité afin d'étanchéiser **toute l'articulation** joignant la cabine et le socle.



Coupe transversale de la cabine et du socle



Raccordements de plomberie

Remarque : Il est recommandé d'installer une grille d'évacuation au sol devant la cabine mesurant toute la longueur de la cabine.

1. Les cabines expédiées ont été assemblées pour une évacuation à partir du côté droit. Pour une évacuation à partir du côté gauche, inversez la position des vis des supports de la gouttière d'évacuation du trou inférieur au trou supérieur pour le support gauche, et du trou supérieur au trou inférieur pour le support droit.
2. Retirez le bouchon du côté gauche de la gouttière d'évacuation et insérez-le dans le côté droit.
3. Raccordez la conduite d'évacuation au manchon d'évacuation en PVC de 32 mm.
4. Effectuez les derniers raccordements à la machine à glace.

Pose des étiquettes de sécurité

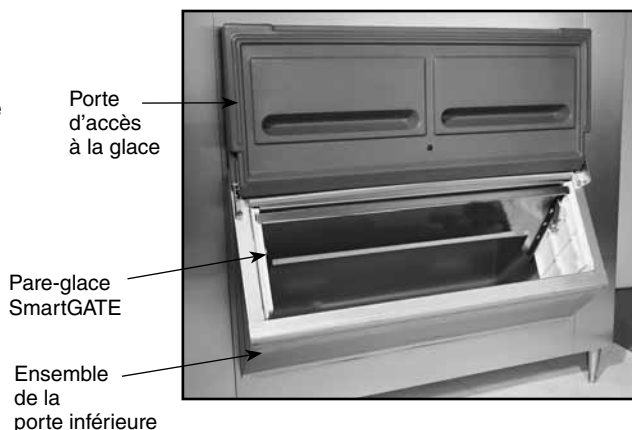
Les étiquettes de sécurité collées à l'avant du socle expliquent le fonctionnement de la trappe. Si nécessaire, il vous est possible de coller ces étiquettes d'une manière permanente en décollant l'endos autocollant et en collant l'étiquette à l'emplacement désiré.

Remarque : L'endos autocollant est extrêmement robuste et les étiquettes ne pourront pas être facilement retirées après les avoir mises en place.

Retirer la porte inférieure

(ceci est uniquement nécessaire si vous devez faire passer la cabine par des portes étroites)

1. Laissez la porte d'accès inférieure fermée et retirez la vis cruciforme et la rondelle de la charnière de chaque côté de la porte.
2. Insérez le tournevis entre la porte et le support de la charnière sur un côté de la porte puis poussez doucement contre le support afin de pouvoir dégager le goujon de la porte.
3. Retirez la porte d'accès.
4. Tirez vers le haut sur le pare-glace SmartGATE pour le retirer.
5. Retirez trois (3) ou quatre (4) vis le long du dessus de la porte.
6. Tirez vers vous pour retirer l'ensemble.



Remettre en place la porte

1. Remettez en place la porte inférieure dans l'ouverture de la cabine.
2. Remettez en place les trois (3) ou quatre (4) vis situées au-dessus de l'ensemble de la porte.
3. Remettez en place le pare-glace SmartGATE™ dans les rails du panneau latéral et appuyez pour l'asseoir.
4. Laissez la porte ouverte et insérez un goujon de la porte dans le support de la charnière.
Remarque : Pour que la porte d'accès puisse fonctionner correctement, installez-la en position fermée.
5. Pour l'autre côté, insérez le tournevis entre la porte et le support de la charnière puis poussez doucement contre le support afin qu'il ne laisse suffisamment d'espace afin que le goujon de la porte puisse passer.
6. Remettez en place les rondelles et les vis dans la porte relevable et serrez-les.
7. Assurez-vous que la porte fonctionne correctement.

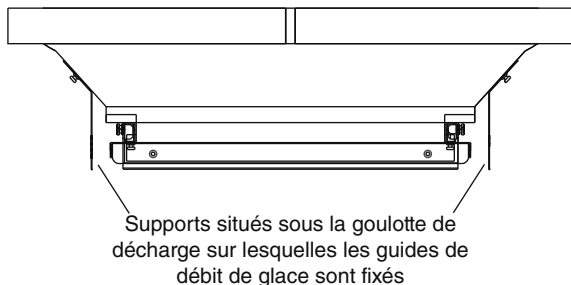
Réglage des guides de débit de glace

Certains types de glace sont très « glissants » et risquent de passer par-dessus les côtés du chariot en sortant de la goulotte de décharge. Les guides de débit de glace pendent sous la goulotte de décharge et permettent de contenir le débit de glace à l'intérieur du chariot.

Les guides de débit de glace sont installés en usine à la position la plus haute et laissant un dégagement de 19 mm au-dessus du chariot lorsque les pieds sont complètement rentrés. Si vous réglez les pieds à une position plus élevée lors de la mise à niveau de la cabine, les guides de débit de glace devront être abaissés afin de conserver les 19 mm de dégagement. Vous devrez accéder aux côtés de la cabine afin d'effectuer ce réglage.

Pour remettre en place les guides de débit de glace après avoir réglé les pieds :

1. Placez le chariot avec ses caisses s'il en comporte, dans l'espace qui lui est réservé situé sous la trappe de décharge:
2. Déterminez la distance à laquelle les guides de débit de glace doivent être abaissés afin de conserver un dégagement de 19 mm.
3. Retirez les vis de serrage retenant les guides de débit de glace.
4. Choisissez le trou afin de remettre en place le guide de débit de glace au bon niveau et fixez-le à nouveau en utilisant la vis de serrage.
5. Répétez l'opération pour chacun des espaces sous la cabine réservés au(x) chariot(s).



Fonctionnement

Fonctionnement du dispositif de vidange du chariot

1. Placez le chariot dans l'espace qui lui est réservé en veillant à ce qu'il soit poussé complètement.
2. Verrouillez le frein de la roulette pour éviter que le chariot ne bouge.
3. Pour vidanger, tirez sur le bouton.
4. Pour fermer, poussez le bouton.



Couvercles des chariots

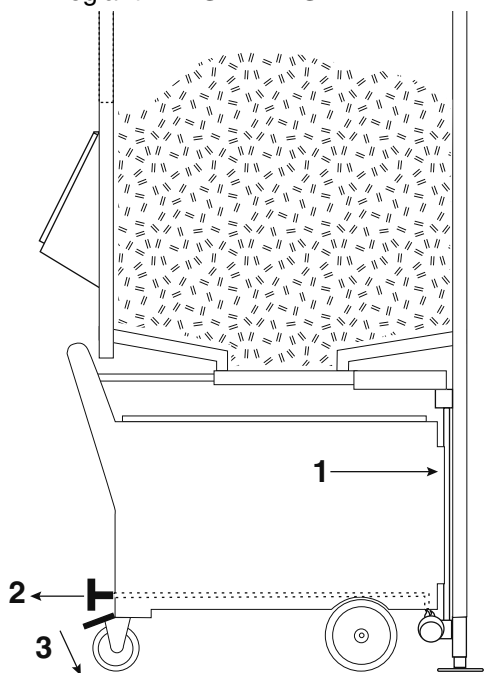
1. Accrochez le(s) couvercle(s) sur les supports situés sur les côtés de la cabine lorsque les chariots sont placés sous la cabine dans l'espace qui leur est réservé.
2. Saisissez un couvercle et placez-le sur le chariot avant de transporter de la glace.
3. Pour éviter de placer le couvercle sur le sol, placez le couvercle à l'horizontale sur le bord du chariot afin qu'il repose contre la poignée du chariot lorsque vous déchargez la glace du chariot.
4. Replacez le couvercle sur son support situé sur le côté de la cabine avant de garer le chariot sous la cabine dans l'espace qui leur est réservé.

Utilisation du chariot de transport

A

Pousser le chariot sous la cabine

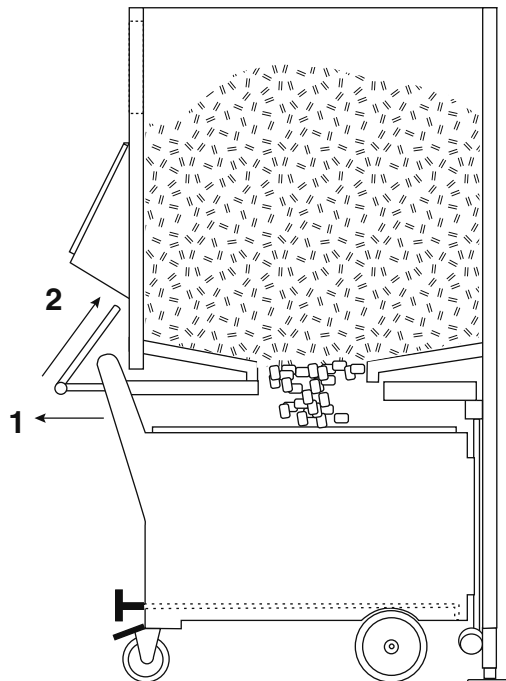
1. PUSSEZ le chariot jusqu'à l'arrière de la cabine.
2. TIREZ sur le mécanisme de vidange.
3. Verrouillez le frein de la roulette en le réglant VERS LE BAS.



B

Charger la glace

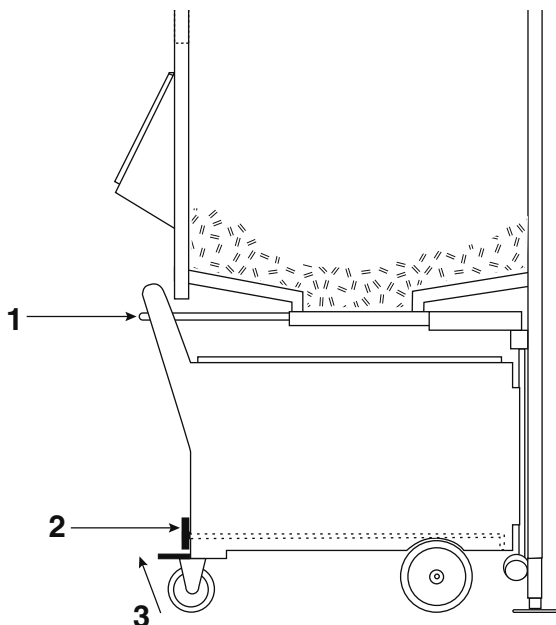
1. TIREZ sur la poignée du mécanisme d'ouverture du fond de la cabine afin de l'ouvrir.
2. Rangez la poignée contre la cabine.



C

Retirer le chariot

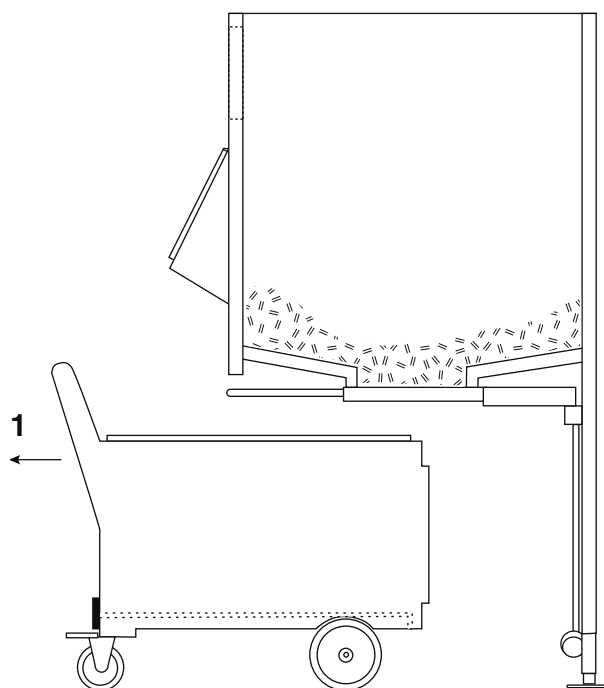
1. PUSSEZ la poignée du mécanisme d'ouverture de la trappe du fond de la cabine afin de le refermer.
2. PUSSEZ le mécanisme de vidange du chariot pour le fermer.
3. Débloquez le frein de la roulette.



D

Transporter la glace

1. TIREZ sur le chariot.
2. Placez le couvercle sur le chariot.



Briser les agglomérations de glace

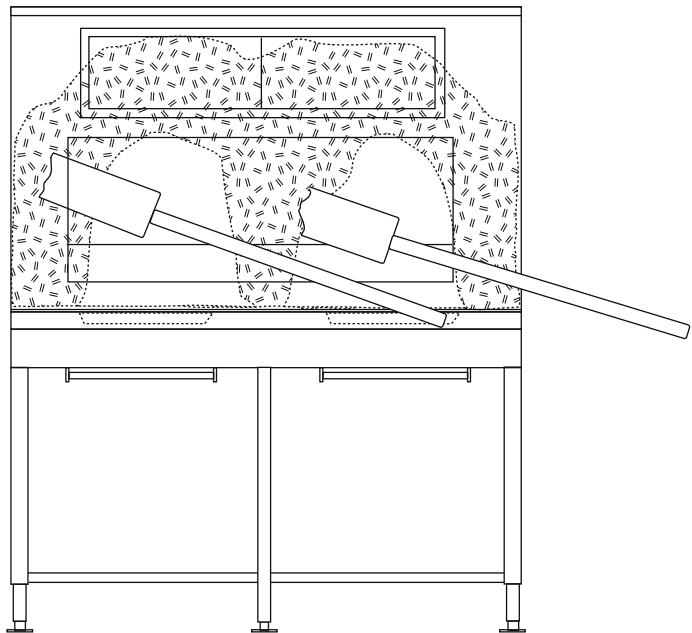
Il sera parfois nécessaire d'utiliser l'outil fourni en forme de palette afin de briser les masses de glace qui risquent de se former sur les côtés et au centre de la cabine. Ceci se produit lorsque la glace demeure dans la cabine sans l'utiliser pendant une longue période. Utilisez l'outil fourni en forme de palette afin de briser les masses de glace.



NE PAS creuser dans la glace. Brisez les pieds soutenant les masses de glace. La glace au-dessus de ces « ponts » de glace tombera d'elle-même.

Pour éviter tout risque de blessure, ne pas tenter de briser les masses de glace en passant par les fenêtres supérieures ou par la trappe de décharge. Si une masse de glace vient à tomber, elle fera se lever la palette et vous risquez de vous blesser. Veillez à ce que votre tête et votre visage demeurent loin de la palette afin d'éviter de vous blesser.

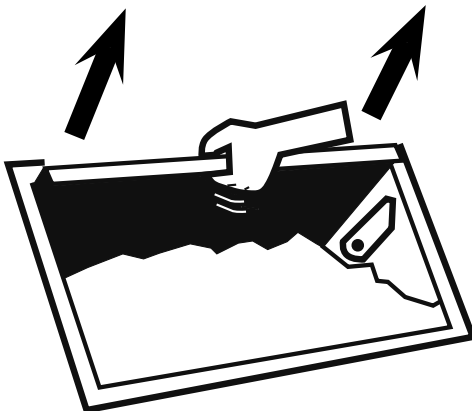
1. Retirez complètement la glace demeurée sur les côtés et au centre de la cabine.
2. Brisez toute masse de glace risquant de se former au centre de la cabine.
3. Agitez la glace avec la palette en effectuant un mouvement de va-et-vient afin de débloquer la masse de glace congelée.



Utilisation du pare-glace SmartGATE

Le pare-glace SmartGATE peut être réglé et bloqué à différents niveaux afin de s'adapter au débit des différents types de glace.

La cabine est expédiée avec le pare-glace SmartGATE complètement fermée. Le pare-glace SmartGATE peut être relevé et bloqué à une position plus haute afin de permettre un meilleur débit ou lorsque vous souhaitez avoir un meilleur accès à la glace.



Nettoyage



Nettoyez et désinfectez l'intérieur de la cabine et du (ou des) chariot(s) avant de les utiliser pour la première fois puis à intervalles réguliers. Utilisez un nettoyant et un désinfectant sans chlore pouvant être utilisé sur des contenants pour aliments. NE PAS utiliser de nettoyants et de désinfectants à base de chlore qui risquent de teindre et d'endommager les pièces en acier inoxydable. En effet, ces produits entraîneront l'apparition d'une corrosion par piqûres. Ne pas placer les caisses dans le lave-vaisselle. Éteignez la (ou les) machine(s) à glace et retirez la glace de la cabine avant de commencer le nettoyage.

Nettoyage du système d'évacuation de la cabine

1. Retirez le(s) bac(s) supérieur(s) et lavez-les avec une solution de nettoyage, puis rincez-les et remettez-les en place dans leurs supports.
2. Trempez un chiffon dans la solution de nettoyage et insérez-le à travers la boucle d'un morceau de fil de fer.
3. Insérez le fil de fer dans le conduit vertical d'évacuation puis tirez sur le fil de fer et son chiffon pour le faire passer dans le conduit.
4. Versez 4 litres d'eau chaude dans la gouttière d'évacuation.

Nettoyage du bac d'évacuation

1. Retirez les deux vis de serrage situées sur le côté du bac d'évacuation et tirez vers l'avant sur le bac pour le retirer.
2. Lavez le bac en utilisant un nettoyant homologué pour ce type de nettoyage.

Trappe de décharge et rails

1. Tout en soutenant d'une main le volet de la trappe, retirez les vis de serrage d'un côté de la trappe de la goulotte de décharge et sous le socle.
2. Faites pivoter le volet de la trappe vers le bas pour le retirer.
3. Lavez le volet, rincez-le complètement et désinfectez-le.
4. Retirez les vis de serrage en tenant l'avant et l'arrière des rails de la trappe.
5. Lavez les rails, rincez-les complètement et désinfectez-les.

Chariot et système d'évacuation du chariot

1. Lavez le revêtement intérieur du chariot en utilisant un nettoyant homologué pour ce genre de nettoyage.
2. Rincez et désinfectez le revêtement intérieur du chariot.

Nettoyage de la cabine avant de l'utiliser pour la première fois et entretien à intervalles réguliers

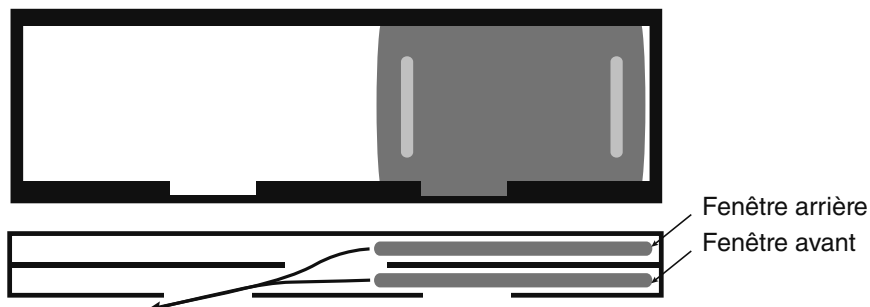
L'intérieur de la cabine doit être nettoyé et désinfecté avant d'utiliser la cabine pour la première fois et doit être nettoyé régulièrement par la suite (voir page suivante).

Entretien de l'intérieur de la cabine

Les cabines de stockage de glace Follett à pare-glace SmartGATE comportent des parois à revêtement en polyéthylène qui doivent être nettoyées et désinfectées avec le nettoyant Mikro-chlor de Ecolab ou avec tout autre produit pouvant être utilisé sur des contenants pour aliments.

Important : Follett Corporation vous recommande d'installer un filtre à eau au charbon actif de la bonne taille sur le conduit d'alimentation d'eau allant vers la machine à glace afin de retirer toute trace de chlore.

1. Retirez les fenêtres d'inspection supérieures en faisant glisser les fenêtres vers un des côtés. Saisissez l'extrémité de la fenêtre avant et tirez vers vous pendant que vous glissez la fenêtre vers le côté opposé. Répétez l'opération pour la fenêtre arrière.



2. Nettoyez les parois de la cabine, la goulotte de décharge, la plaque de la porte d'accès, la cloison (si votre modèle en possède une), rincez puis désinfectez-les.

Entretien de l'extérieur de la cabine

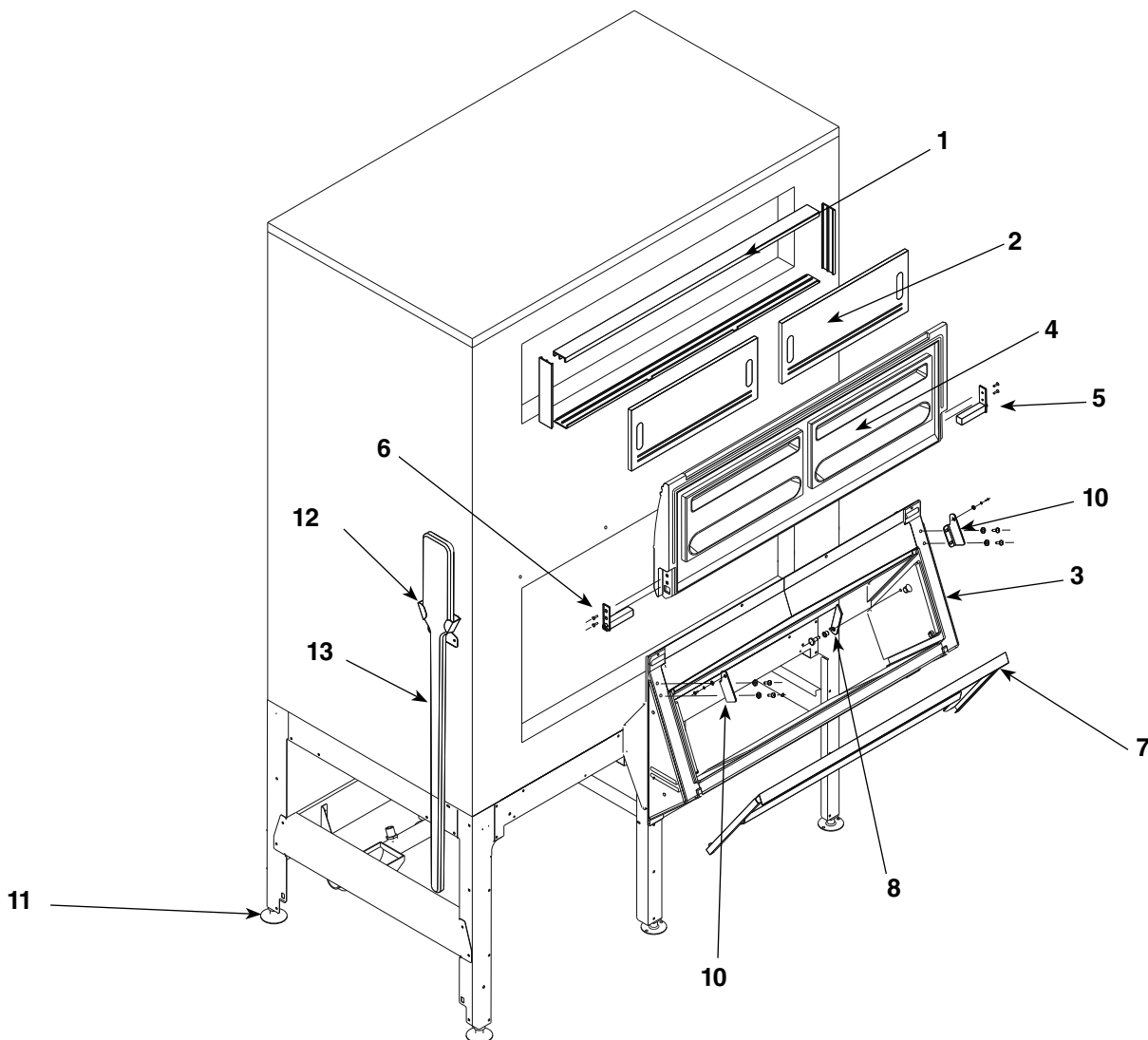
Il vous est possible de nettoyer les surfaces extérieures en acier inoxydable en utilisant un produit de nettoyage pour surfaces en acier inoxydable tel que le Nettoyant et lustrant pour acier inoxydable de 3M ou un produit équivalent.

Assistance technique

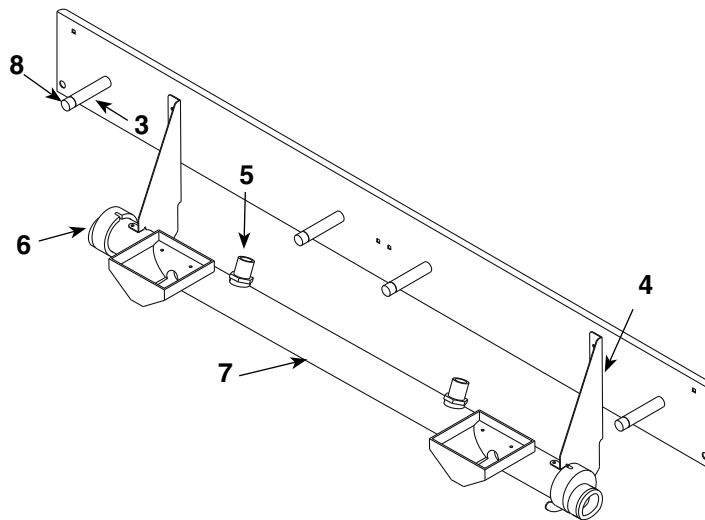
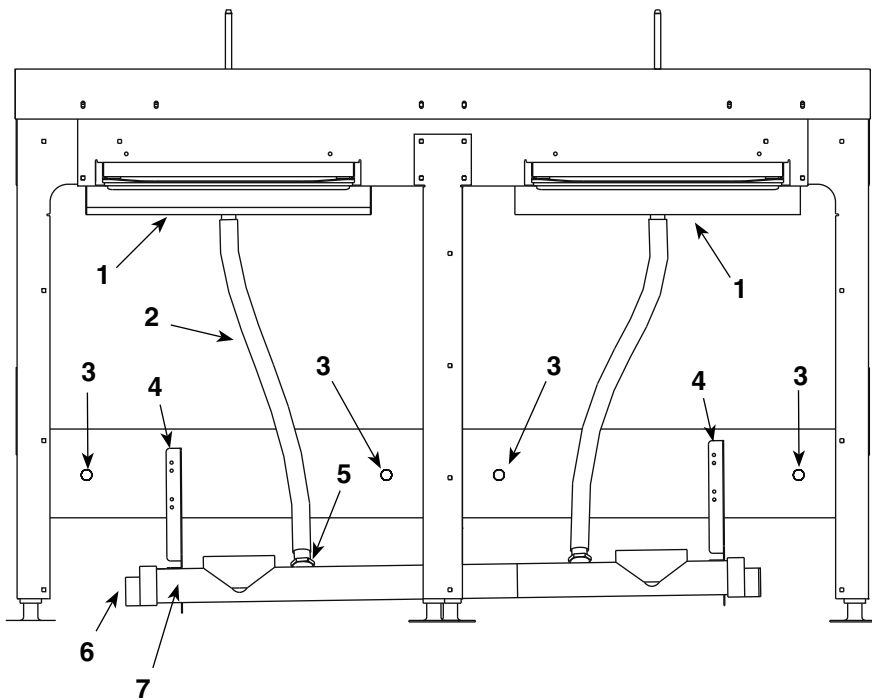
Si vous avez des questions concernant l'installation ou l'entretien des cabines de stockage de glace Follett, veuillez appeler notre service technique au +1-610-252-7301 entre 8 heures et 17 heures, heure normale de l'Est des États-Unis.

Pièces de rechange

Commande de pièces en ligne
www.follettice.com



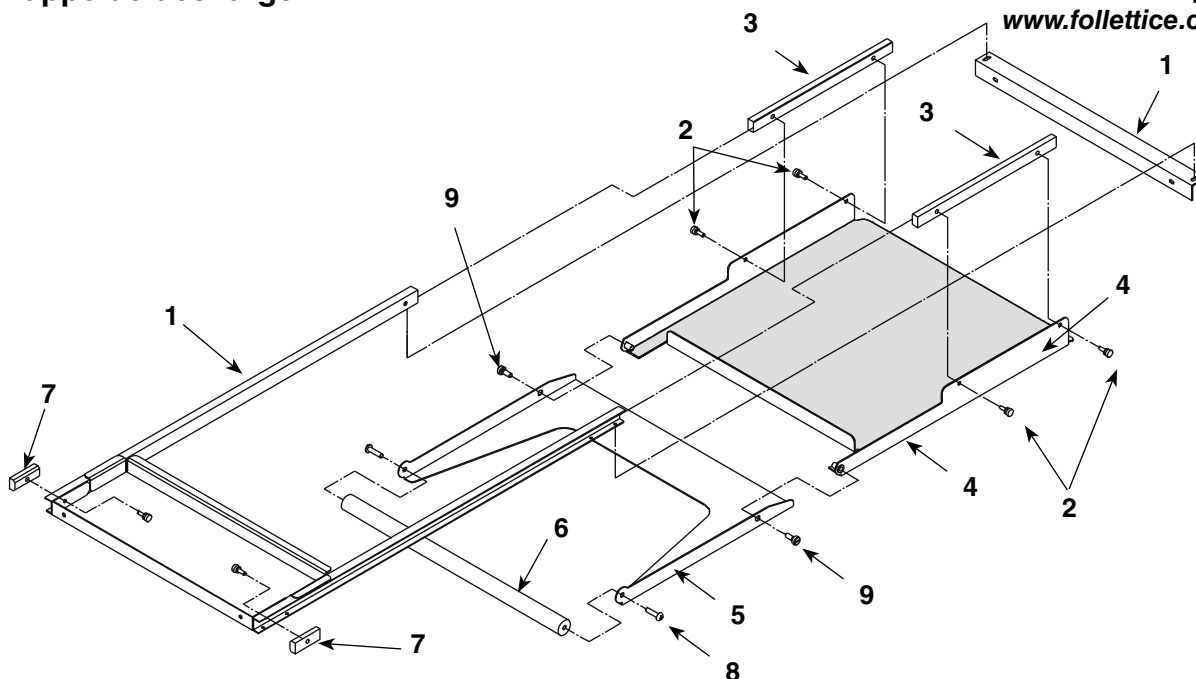
Référence	Description	N° de pièce
1	Track, inspection window, 42" (used with 502237 window) - 3200/2250	501277
Non indiqué	Rail, fenêtre d'inspection, 68,5 cm (utilise avec fenêtre 502264) - 500	501401
2	Inspection window, 21.125"W x 8.625"H (2 used per bin) - 3200/2250	502237
Non indiqué	Fenêtre d'inspection, 32 cm (L) x 22,8 cm (H) (2 par cabine) - 500	502264
3	Frame assembly, lower door, 45" (includes 502177 & 502182)	502361
Non indiqué	Cadre, porte inférieure, 71 cm (comprend 502176 et 502181) - 500	502365
4	Door, outer lift, 45" (includes 502178 & 502179)	502177
4	Door, outer lift, 28" (includes 502178 & 502179)	502176
5	Hinge, RH door mount (includes hardware)	502179
6	Hinge, LH door mount (includes hardware)	502178
7	Ice Gate, 40", w/o holes	502182
7	Ice Gate, 24", w/o holes	502181
8	Catch, Ice Gate	502185
10	Hinge bracket, bin mount, LH/RH, (pair, includes hardware)	502180
Non indiqué	Étrier de fixation	502214
11	Foot, flanged (1), bolt base	502196
12	Bracket, ice paddle	502064
13	Paddle, ice	502063
Non indiqué	Pelle à glace	501796
Non indiqué	Support pour pelle à glace	502360



Référence	Description	N° de pièce
1	Drain pan upper – includes (2) 501100	502847
2	Vertical drain tube	502848
3	Bumper, and stud – includes 502865	502849
4	Bracket, lower drain trough	502850
5	Drain fitting, vertical drain tube to lower trough	502851
6	End cap, lower drain trough	502852
7	Drain trough – includes (2) 502852 (single bay – ITS500, ITS700)	502853
7	Drain trough – includes (2) 502852 (double bay – ITS1350, ITS2250)	502854
7	Drain trough – includes (2) 502852 (triple bay – ITS1700, ITS3250)	502855
8	Cap, bumper	502865
9	1" MPT x 1" barb 90° fitting	00148965
10	Drain assembly	206011

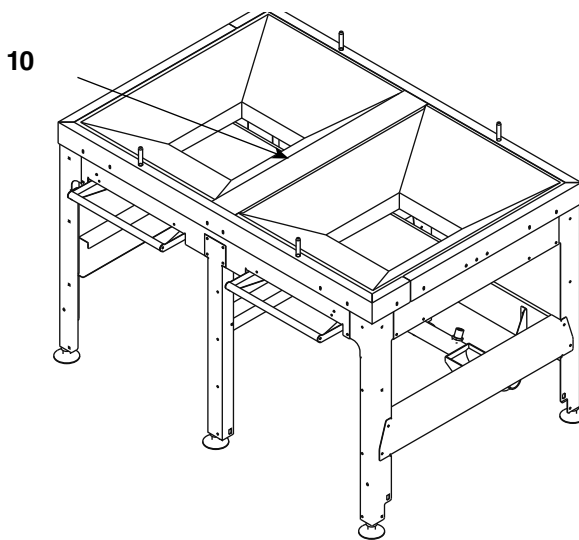
Trappe de décharge

Commande de pièces en ligne
www.follettice.com



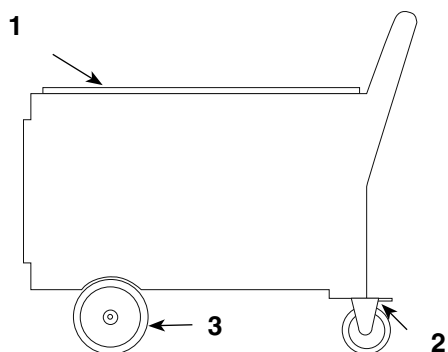
Référence	Description	N° de pièce
1	Track, shutter door – includes (2) 502272, (8) 501100	502864
2	Thumbscrew, 10-32 X 1/2"	501100
3	Bearings (2), shutter door, nylon 11-7/16" – includes (4) 501100	502269
4	Shutter door – (includes 502857 and (2) 502272)	502856
5	Shutter door, handle assembly – includes 502858	502857
6	Rod handle, shutter door – includes (2)502859	502858
7	Spacer, bearing – includes 501100	502272
8	Screw, shutter handle rod	502859
9	Shoulder screw, handle shutter door	502860
10	Cover, joint, two and three bay, blue hopper	00112821
Non indiqué	Guide de débit de glace, fourni avec deux (2) 501100	502861
Non indiqué	Support pour guide de débit de glace, fourni avec deux (2) 501100	502863

Cache de protection pour articulation sur modèles à plusieurs postes

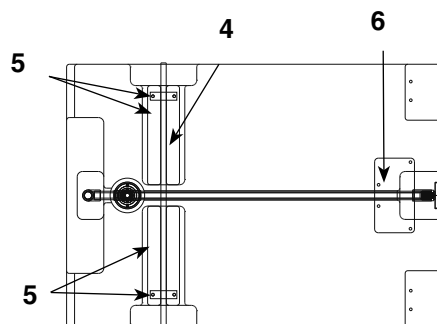


Chariot

Commande de pièces en ligne
www.follettice.com



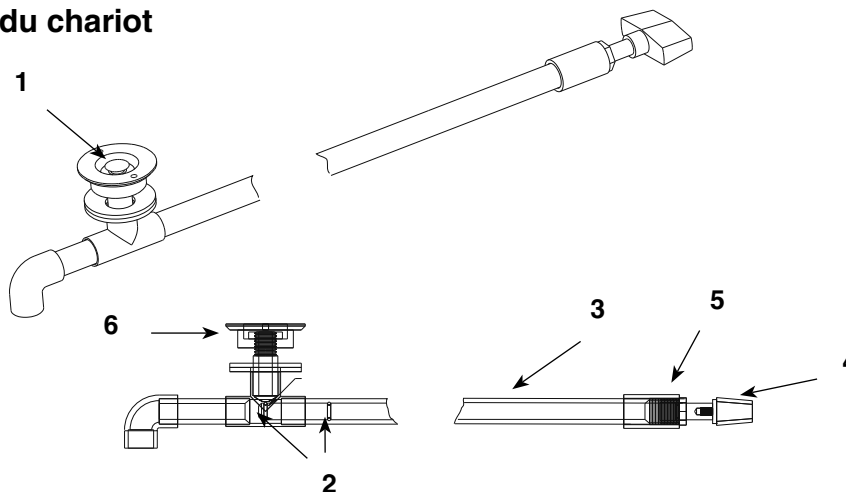
Vue de côté du chariot



Vue du dessous du chariot

Référence	Description	N° de pièce
1	Lid	501744
2	Caster, swivel, locking, (includes mounting bolts & lock washers)	502529
Non indiqué	Bague pour roue de 203 mm, Rhombus	502531
3	Wheel, 8", fixed (includes 2 cotter pins & 2 washers)	502530
4	Axle, 24.125" (includes 2 cotter pins & 4 washers)	502332
5	Strap, axle (2 required per axle)	502028
6	Plate, drain support	502061
Non indiqué	Support du porte-couvercle	502055
Non indiqué	Caisse pour glace (1)	502263
Non indiqué	Poignée de caisse	502097
Non indiqué	Rondelle de l'essieu	502230
Non indiqué	Goupille fendue	502040

Système de vidange du chariot



Référence	Description	N° de pièce
Tous	Système de vidange (comprend tout l'ensemble indiqué ci-dessous)	502021
1	Vent plug	502106
2	O-ring, drain assembly	502022
3	Rod, drain (includes 502061 plate drain support)	502217
4	Knob, drain	502029
5	Retaining bushing	502289
6	Fitting, drain assembly	501743

Cette page est laissée vierge intentionnellement.

SmartGATE is a registered trademark of Follett Corporation, registered in the US.
SmartGATE es una marca comercial de Follett Corporation registrada en los EE.UU.
SmartGATE est une marque de commerce déposée de Follett Corporation enregistrée aux États-Unis.



801 Church Lane • Easton, PA 18040, USA/EE.UU./États-Unis
Toll free (877) 612-5086
Phone/ Teléfono / Téléphone: +1 (610) 252-7301

208992R05
03/11