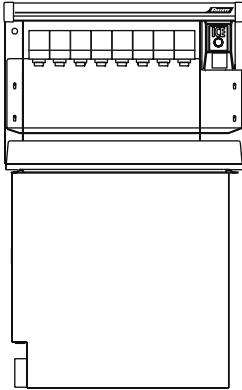


U155 Series Ice and Beverage Dispensers

Order parts online
www.follettice.com

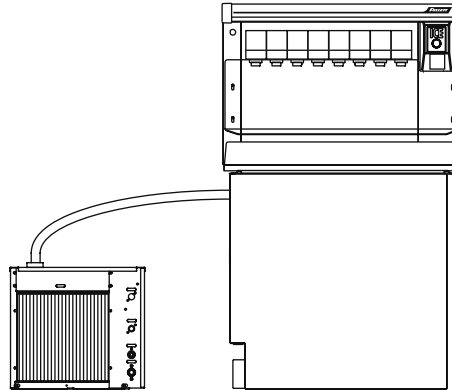
Installation, Operation and Service Manual

Manual load unit



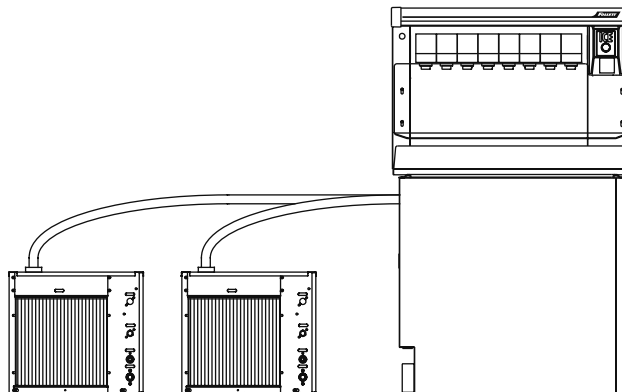
Model U155, U155X
Model U155B, U155BX

Automatic load unit with one icemaker



Model U155R400A/W, U155XR400A/W
Model U155BR400A/W, U155BXR400A/W

Automatic load unit with two icemakers



Model U155R800A/W, U155XR800A/W
Model U155BR800A/W, U155BXR800A/W

**Following installation, please forward this manual
to the appropriate operations person.**

Table of contents

| | |
|---|----|
| Welcome to Follett Corporation | 4 |
| Important cautions | 4 |
| Specifications | 5 |
| Installation | 7 |
| Installing dispenser in counter | 7 |
| Electrical connections | 8 |
| Field wiring diagrams | 8 |
| Connecting beverage lines | 9 |
| Installing optional icemaker | 9 |
| Operation | 10 |
| How the dispenser works | 10 |
| Cleaning | 11 |
| Service | 13 |
| Dispense chute cover removal | 13 |
| Auger motor assembly removal | 13 |
| Gate assembly removal | 13 |
| Auger and auger tube removal | 13 |
| Dispenser wheel removal | 13 |
| Wiring diagrams | 14 |
| Troubleshooting | 15 |
| Replacement parts | 17 |

Follett Corporation Equipment Return Policy

Follett equipment may be returned for credit under the following conditions:

1. The equipment is new and unused.
2. A return authorization number has been issued by customer service.
3. Follett receives the equipment at the factory in Easton, PA within 30 days of the issue of the return authorization number.
4. The equipment must be returned in Follett packaging. If the packaging has been damaged or discarded, Follett will forward, at the customer's expense, new packaging.

Note: Return freight charges are the responsibility of the customer. If equipment is returned and is damaged because of improper packaging, Follett Corporation will not be held responsible.

Credit will be issued when:
The equipment has been inspected by Follett and deemed suitable to be returned to stock.

Note: A 15% restocking charge will be deducted from the credit. If the cost to return the product to stock exceeds 15%, the actual cost will be deducted.

Welcome to Follett

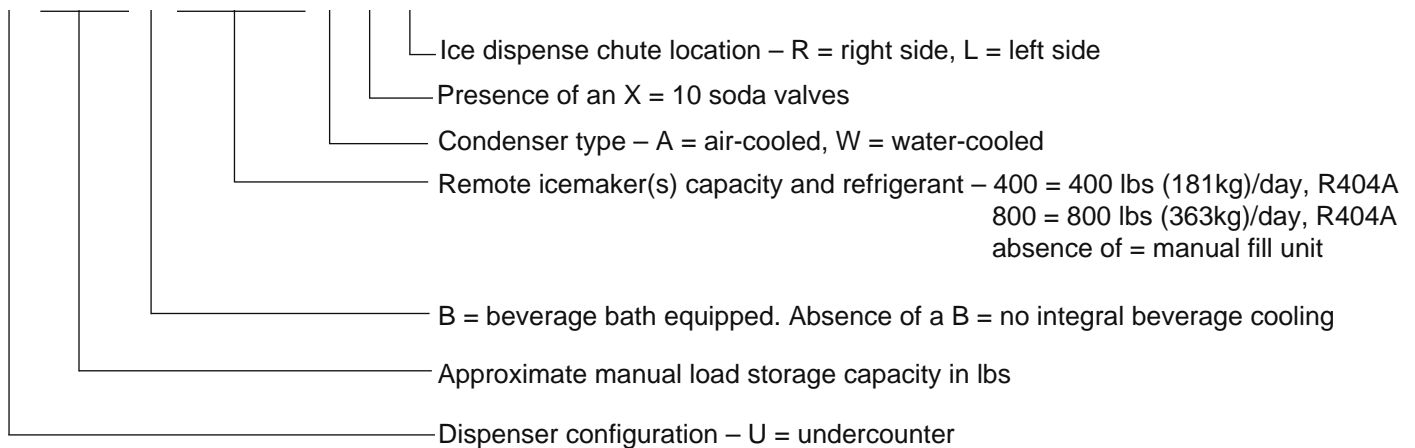
Follett ice dispensers enjoy a well-deserved reputation for excellent performance, long-term reliability and outstanding after-the-sale support. To ensure that this dispenser delivers that same degree of service, we ask that you take a moment to review this manual before beginning the installation of the dispenser. Should you have any questions or require technical help at any point, please call our technical service group at (800) 523-9361 or (888) 2-FOLLETT or (610) 252-7301.

Before you begin

After uncrating and removing all packing material, inspect the equipment for concealed shipping damage. If damage is found, notify the shipper immediately and contact Follett Corporation so that we can help in the filing of a claim, if necessary.

Check your paperwork to determine which model you have. Follett model numbers are designed to provide information about the type and capacity of Follett ice dispensing equipment. Following is an explanation of the different model numbers in the U155 series.

U155BR400AXR



Important cautions

Storage area of dispenser contains mechanical, moving parts. Keep hands and arms clear of this area at all times. If access to this area is required, power to unit must be disconnected first.

Ice is slippery. Maintain counters and floors around dispenser in a clean and ice-free condition.

Ice is food. Follow recommended cleaning instructions to maintain cleanliness of delivered ice.

Always disconnect power before cleaning or servicing the dispenser.

Failure to remove all sanitizer may result in health hazard.

Follett manual load dispensers can accommodate most cube/cubelet ices up to 1" square, or Follett compressed nugget ice. Crushed, flake, bagged, nugget or congealed ice cannot be used. Use of these ices can jam dispenser and void warranty. Separate any "waffle-like" sections of cubes before adding to dispenser. For ice compatibility questions, please call Follett customer service at (800) 523-9361 or (888) 2-FOLLETT or (610) 252-7301.

Specifications

Electrical

Each icemaker and dispenser require a separate circuit with with electrical disconnect within 10 ft (6m). Equipment ground required. Standard electrical – 115V, 60Hz, 1 phase. Maximum dispenser fuse – 15 amps, Maximum icemaker fuse – 20 amps each.

| Model number | Icemaker amperage | Dispenser amperage |
|-----------------------------|--------------------------|---------------------------|
| Single-sided models | | |
| U155, U155X | | 2.4 amps |
| U155B, U155BX | | 4.4 amps |
| U155R400A/W, U155R400A/WX | 11.0 amps | 2.4 amps |
| U155BR400A/W, U155BR400A/WX | 11.0 amps | 4.4 amps |
| U155R800A/W, U155R800A/WX | 11.0 amps ea (2) | 2.4 amps |
| U155BR800A/W, U155BR800A/WX | 11.0 amps ea (2) | 4.4 amps |

Plumbing

Dispenser 3/4" PVC pipe nipple for bin drain
3/4" PVC pipe nipple for drain pan drain
1" ID hose for beverage bath drain

Beverage connections

1/4" ID syrup beverage hose
3/8" ID carbonated water beverage hose
3/8" ID plain water beverage hose

Note: Drains should be hard piped and insulated. Maintain at least 1/4" per foot (6mm per 304mm run) slope on drain line run.

Water disconnect within 10 feet (3m) of dispenser is suggested for automatic load units.

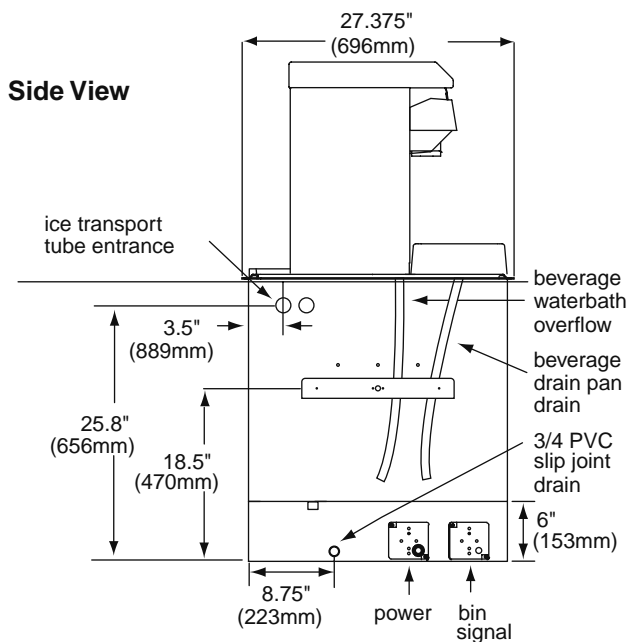
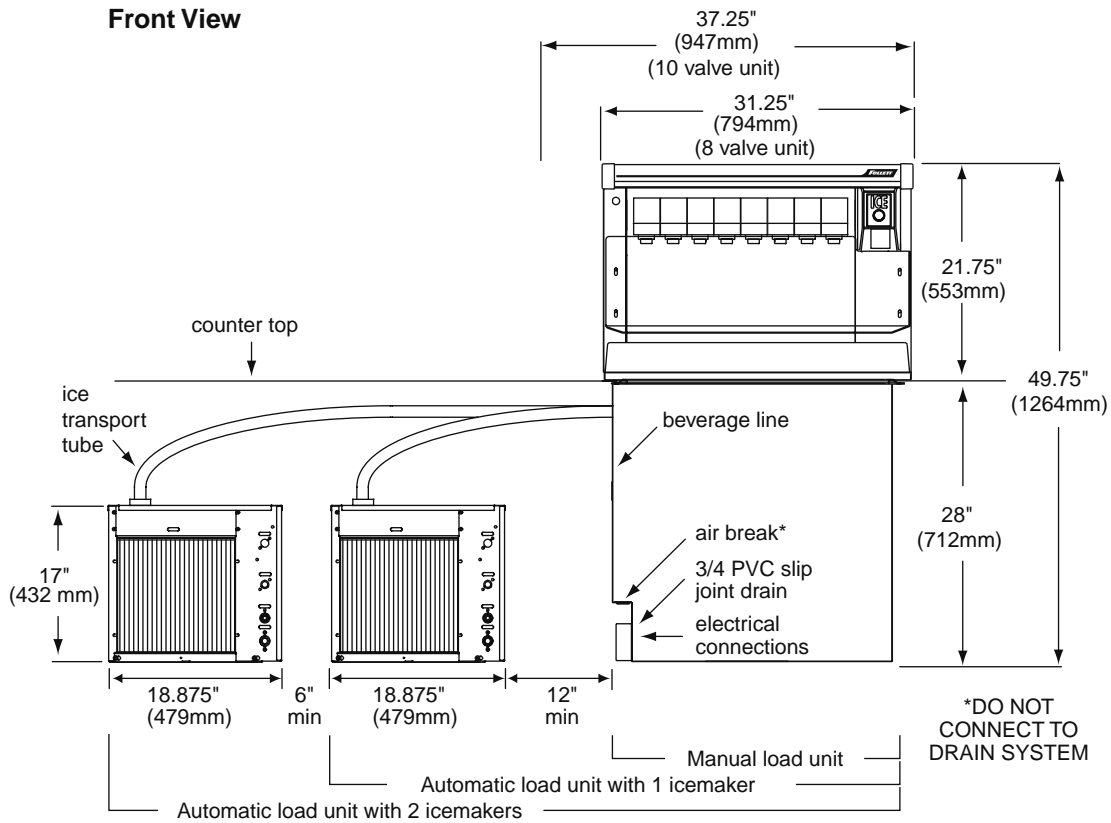
Follett recommends use of a Follett model AFSYSTEMFL4S water filter on icemakers connected to automatic fill dispensers.

Icemaker (detailed specifications may be found in icemaker installation manual packed with icemaker)
3/8" OD push-in water in
3/4" MPT drain
3/8" FPT condenser inlet (water-cooled condenser only)
1/2" FPT condenser drain (water-cooled condenser only)

Dimensions and clearances

Required clearances

- 51" (1295mm) minimum above counter for installation if dispenser will be dropped into counter
- 36" (915mm) minimum above counter for all units after installation for auger cleaning and servicing
- 12" (305mm) minimum on side opposite ice chute for service
- 12" (305mm) minimum on ice chute side if ice transport tube enters this side
- 12" (305mm) minimum between dispenser side(s) and optional icemaker(s)



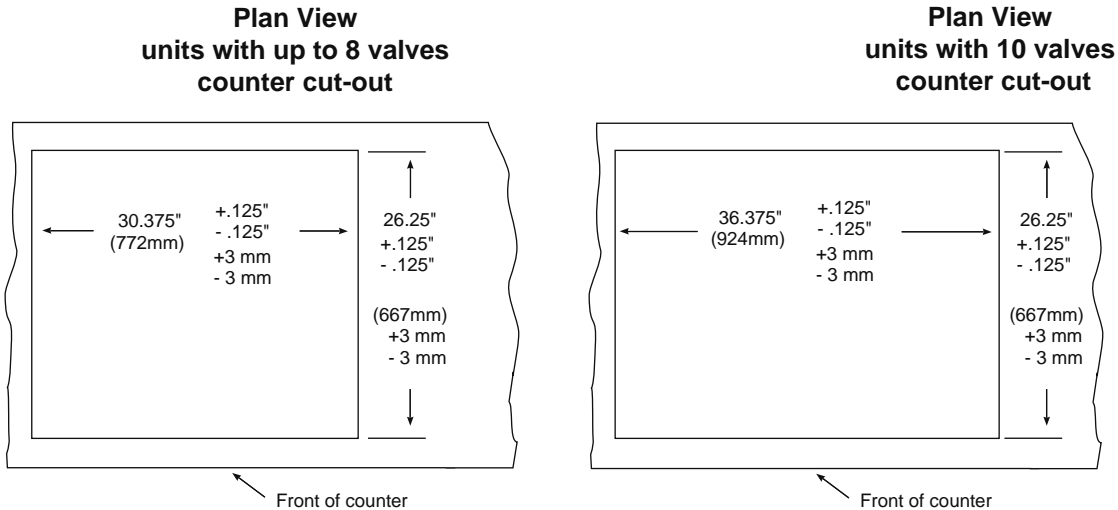
Installation

Installing dispenser in counter

Note: All dispensers must be supported from below with supplied 6" - 9" (153 – 229mm) adjustable leg accessory, or equivalent. Do not hang dispenser on flange.

All dispensers must be installed level in both directions to ensure proper operation.

1. Check that dispenser location meets all requirements in this manual and cut counter as shown.



2. Place support blocks in cabinet to raise dispenser to a height of 12" (305mm)
3. Place dispenser in counter onto support blocks.
4. Attach adjustable legs to dispenser.
5. Remove support blocks and lower dispenser feet to floor.
6. Adjust legs for 1/8" (4mm) clearance between dispenser lip and countertop to verify there is no load on flange.
7. Apply a bead approximately 1/4" (6mm) in diameter of NSF-listed silicone sealant (Dow Corning RTV-732 or equivalent) around perimeter of dispenser where it meets counter. Smooth sealant to a 1/8" (4mm) radius.
8. Install a PVC drain line with at least a 1/4" per foot (20mm per 1m) slope. Insulate drain line to prevent condensation.

Note: Do not apply excessive heat if any sweating of fittings is necessary. Heat conduction through metal may melt threads in plastic drain.

Do not reduce drain line size or tie drains together.

9. Make electrical connections in accordance with applicable wiring diagrams provided. Provide disconnects within 10 ft (3m) of dispenser and icemaker for servicing.

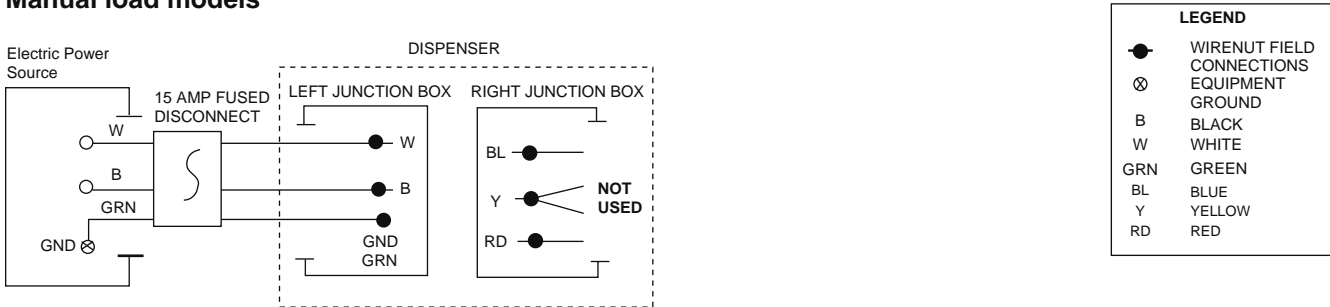
Electrical connections

| Model | Electrical connection | Circuit(s) required |
|---|--|--|
| U155, U155X, U155B, U155BX | Hard wiring of dispenser required | 115V, 60Hz, 1 phase Max. fuse dispenser – 15 amps |
| U155R400A/W, U155R400A/WX, U155BR400A/W, U155BR400A/WX | Dispenser power – hard wiring required | 115V, 60Hz, 1 phase (2) circuits required |
| | Bin signal – cord and plug supplied Icemaker – cord and plug supplied on power and bin signal | Dispenser – 15 amps max. fuse size Icemaker – 20 amps max. fuse size |
| U155R800A/W, U155R800A/WX, U155BR800A/W, U155BR800A/WX | Dispenser power – hard wiring required | 115V, 60Hz, 1 phase (3) circuits required |
| | Bin signal – cord and plug supplied Icemaker – cord and plug supplied on power and bin signal | Dispenser – 15 amps max. fuse size. (2) icemakers – 20 amps max. fuse size each |

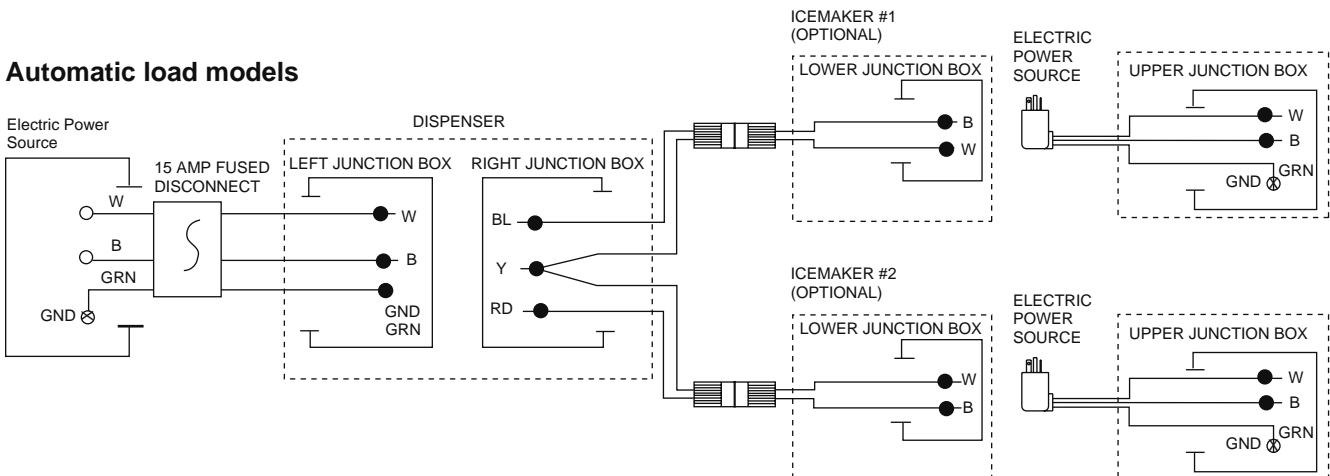
Field wiring diagrams

Note: Field wiring diagrams are intended to aid electricians or technicians in understanding how equipment works. All field wiring must be installed in accordance with all local and NEC codes.

Manual load models

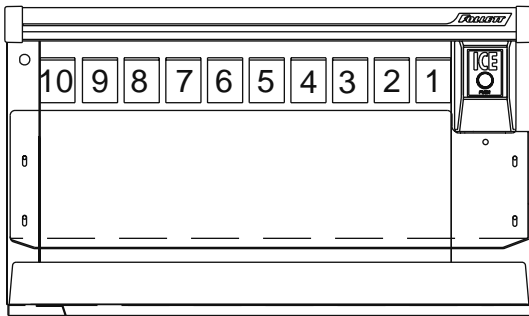


Automatic load models



Connecting beverage lines

1. Connect syrup and water lines. Non-carbonated water line will be labeled “water”. Syrup lines are numbered and correspond to the valves as shown in drawing(s) below. Valve one is always next to ice tower.
2. Clean and sanitize beverage lines in accordance with cleaning instructions.



Valve position #1 is always next to ice tower. Right-hand unit shown.

Installing optional icemaker

Correct installation of remote icemaker(s) is critical to proper performance of icemaker. Refer to installation manual packed with icemaker for important details on ice transport tube run, ventilation requirements and other installation requirements. Failure to comply with instructions may void warranty.

To start up and operate dispenser

1. Follow detailed cleaning instructions in service manual before operating dispenser.
2. On units with Follett integral ice water bath beverage cooling (“B” models) only, slowly pour water into ice water bath area to fill empty bath and submerge coils. Coils are submerged when water starts to flow out overflow drain. **DO NOT SPLASH WATER ON ELECTRICAL BOX.** Once filled with water, add ice to bath until ice covers top of waterbath.
3. For manual load units, remove front drain pan or rear lid and fill storage area with approved ice.

Note: Follett manual load dispensers can accommodate most cube/cubelet ices up to 1" square, or Follett compressed nugget ice. Crushed, flake, bagged, nugget or congealed ice cannot be used. Use of these ices can jam dispenser and void warranty. Separate any “waffle-like” sections of cubes before adding to dispenser. For ice compatibility questions, please call Follett customer service at (800) 523-9361 or (888) 2-FOLLETT or (610) 252-7301.

4. Turn power switch located on dispenser control box to ON position.
5. For automatic fill units, follow detailed instructions in icemaker installation section of installation manual, then turn icemaker (bin signal) switch(es) located on dispenser control box to ON position and begin to make ice.
6. When dispenser has at least 6" (153mm) of ice in storage area, test operation.

Operation

How the dispenser works

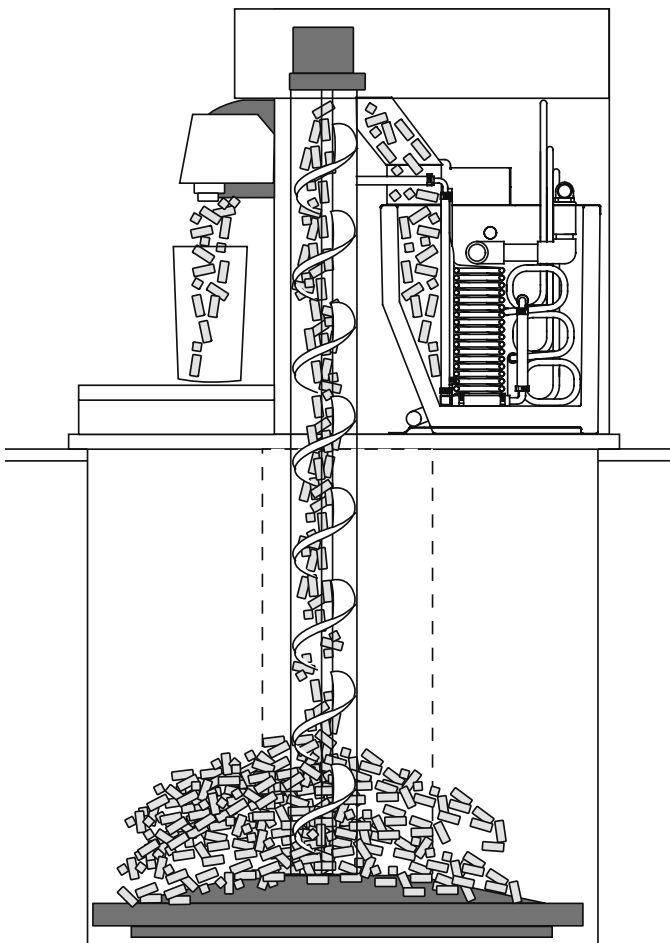
Follett's dispensers are available in automatic load configurations, fed from one or two Follett remote icemakers or manual load configurations (using ice from another source).

In all models, ice is stored below the counter in the dispenser storage area. When the dispense lever or button is pushed, the dispense motors are activated. This causes the wheel assembly in the storage area to turn, moving ice to the vertical auger assembly, which carries ice up to the dispense chute where it drops by gravity into the container.

In automatic load units, ice is manufactured in either one or two Follett remote icemakers. These icemakers may be located up to 20 ft (6m) away from the dispenser. Extruded ice is transported through a tube and pushed to the storage compartment of the dispenser. When the bin is filled, a bin thermostat shuts the icemaker off to avoid overfilling of the bin. The icemaker will restart after 20 minutes if the bin is calling for ice.

Units with integral ice water bath beverage cooling are equipped with a waterbath timer circuit that activates the waterbath pump for 35 minutes when ice lever or button is activated, or when the ice water bath warms up and calls for more ice.

Ice movement



Cleaning

Using solutions below, clean and sanitize storage area and beverage lines before starting unit and on a routine basis as noted below.

Note: Always disconnect power before cleaning dispenser.

Do not run plastic parts through a dishwasher.

Solution A: Combine 1 oz (250ml) bleach with 2 gal (8L) hot water or use Ecolab Mikro-chlor Cleaner per manufacturers instructions.

Solution B: Combine 1/4 oz (50ml) bleach with 2 gal (8L) hot water or use Ecolab Mikro-chlor Cleaner per manufacturers instructions.

Note: Cleaning solutions temperature must be at 75° – 125°F (24° to 52°C)

Recommended cleaning prior to startup

Cleaning ice storage area before use

1. Refer to disassembly instructions (see Service section) and remove dispense wheel from ice storage area.
2. Remove auger, auger tube and dispense mechanism.
3. Wipe all components and ice storage area with cleaning Solution A.
4. Rinse all components and ice storage area thoroughly with clear, potable water.
5. Wipe all components and ice storage area with sanitizing Solution B.

Cleaning beverage lines

Prepare 6 gallons (23L) of cleaning Solution A. Fill a clean product tank with cleaning solution. Fill a second clean product tank with potable rinse water.

1. Disconnect all syrup lines from product containers.
2. Connect syrup line #1 to cleaning solution tank, pressurize tank to 20-50 psi, and dispense 1/2 gallon (2L) of solution into a suitable container from valve #1.
3. Connect syrup line #1 to rinse tank, pressurize tank to 20-50 psi, and dispense 3 gallons (11L) into a suitable container from valve #1.
4. Repeat this cleaning and rinsing for all syrup lines.
5. Remove diffusers and nozzles from valves, soak in cleaning solution, rinse well and reinstall.

Sanitizing beverage lines

Prepare 6 gallons (23L) of sanitizing Solution B. Fill a clean product tank with this solution.

1. Connect one tank to syrup line #1. Dispense 1/2 gallon (2L) from valve #1.
2. Repeat for all remaining syrup lines, allowing sanitizing solution to remain in all circuit lines for 15 minutes.
3. Connect a clean, empty tank (pressurized to 50 psi) to each syrup line and blow out sanitizer by operating each valve.
4. Remove diffusers and nozzles from valves, soak in sanitizing solution for 15 minutes, rinse well and reinstall.
5. Reconnect all lines and dispense product through valves to purge any remaining sanitizer.

Recommended daily dispenser cleaning

1. Remove all debris from drain pan.
2. Pour 1 gallon (4L) hot water into drain pan to keep drain lines clear.

Recommended weekly dispenser cleaning

1. Remove drain pan and grille and wash with Solution A. Rinse thoroughly.
2. Remove nozzles and diffusers from valves, soak for at least 10 minutes in cleaning Solution A, rinse, sanitize with Solution B and reinstall.
3. Pour a solution of one cup (8oz/237ml) household bleach mixed with one gallon (3.8L) hot water into drain pan to help prevent algae growth in drain lines.

Recommended quarterly dispenser cleaning

1. Remove top from dispenser and turn power switch to OFF position.
2. Remove ice from storage area.
3. Remove dispense chute cover, chute, auger motor assembly, auger and auger tube (see Service section).
4. Remove drain pan, grille and dispense wheel (see Service section).
5. Clean all components and bin storage area with Solution A, rinse thoroughly with clear water and sanitize with Solution B.
6. Remove nozzles and diffusers from valves, soak for at least 10 minutes in cleaning Solution A, rinse, sanitize with Solution B and reinstall.

For units with integral ice-water bath beverage cooling only:

1. Remove dispenser lid and counter access panel opposite ice tower side.
2. Disengage service drain tube (on utility connection side of dispenser) from mounting bracket.
3. Pull bath service drain tube down through beverage line opening in counter and drain water bath into a bucket.
4. Use a bottle brush to clean coils with Solution A, rinse and sanitize with Solution B.
5. Reposition ice water bath drain tube in up position so water does not drain out.
6. Pour Solution A into ice water bath until it flows out of bath overflow drain.
7. Turn power ON to unit and dispense a small cup of ice to activate pump.
8. Allow pump to run for two minutes to clean pump and pump lines.
9. Turn power OFF.
10. Drain bath and replace drain tube in mounting bracket in up position to avoid siphoning water bath water.

Putting unit back in service after quarterly cleaning

1. On units with integral beverage cooling, fill ice water bath with water until water spills out of bath overflow drain.
2. Reassemble components.
3. For manual load units, fill unit with an approved ice (see important cautions on page 4).
4. For automatic load units with R400A/W (R404A refrigerant) icemakers, turn bin signal switch(es) and dispenser power switch to ON position and allow storage area to fill.
5. Dispense and discard all ice, verifying dispenser is functioning properly.

Recommended quarterly cleaning of optional icemaker.

Units equipped with optional icemakers require cleaning of icemaker system at least every three months, and more often if local water conditions dictate. Failure to clean icemaker system will result in decreased performance and potential damage to icemaker. Refer to Icemaker Installation, Operation and Service Manual.

Service

Dispense chute cover removal

1. Remove top cover.
2. Push chute cover up vertically to slip off holding tab.
3. After clearing tab, pull chute cover forward to remove.

Auger motor assembly removal

1. Remove top cover.
2. Remove one thumbnut on rear of motor bracket.
3. Lift motor bracket and motor up, unplug electric quick disconnects and remove.

Dispense mechanism assembly removal (Fig. 2)

1. Remove top cover.
2. Remove chute cover (see above).
3. Remove auger motor assembly (see above).
4. Remove quick release pins from the ice chutes and gates, then unplug wires from solenoids.
5. Lift dispense mechanism up and off auger tube.

Auger and auger tube removal (Fig. 3)

1. Remove auger motor and dispense mechanism assembly (see above).
2. Pull auger upward to clear auger tube.
3. Lift auger tube upward to clear dispenser top.
4. Slide tube and bearing plate through auger tube gasket.

Dispense wheel removal

1. Remove drain pan assembly and bin access cover.
2. Remove center thumbnut and threaded rod on dispense wheel assembly and lift wheel out front access opening.

Fig. 1 RH, 8-valve unit
Front View

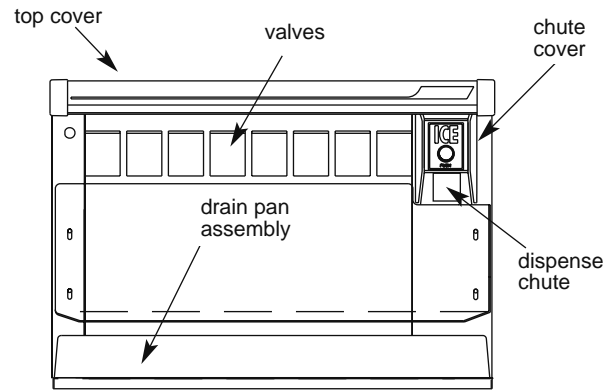


Fig. 2 Dispense assembly, Top View
(RH unit with bath shown)

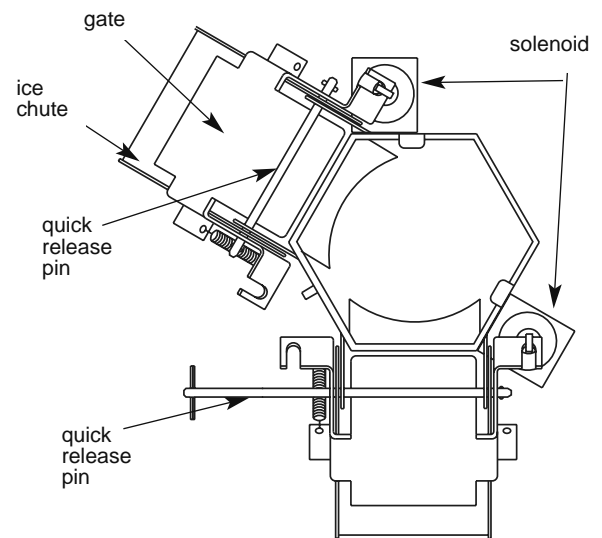
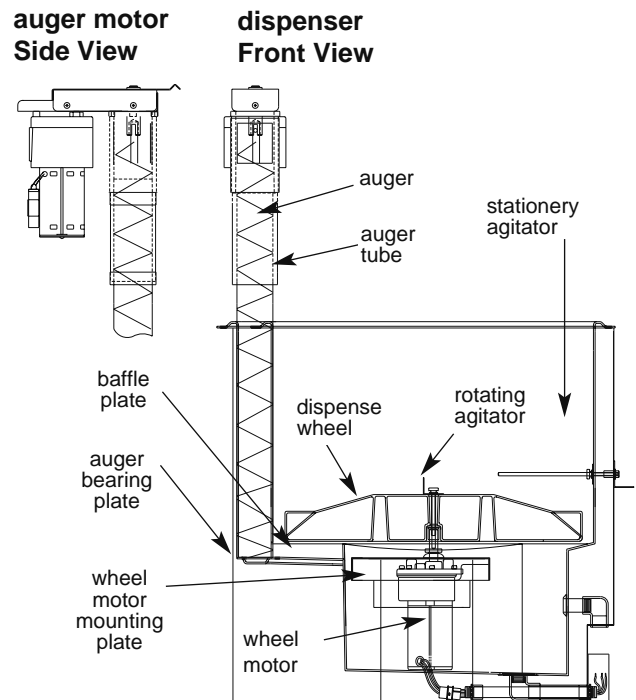


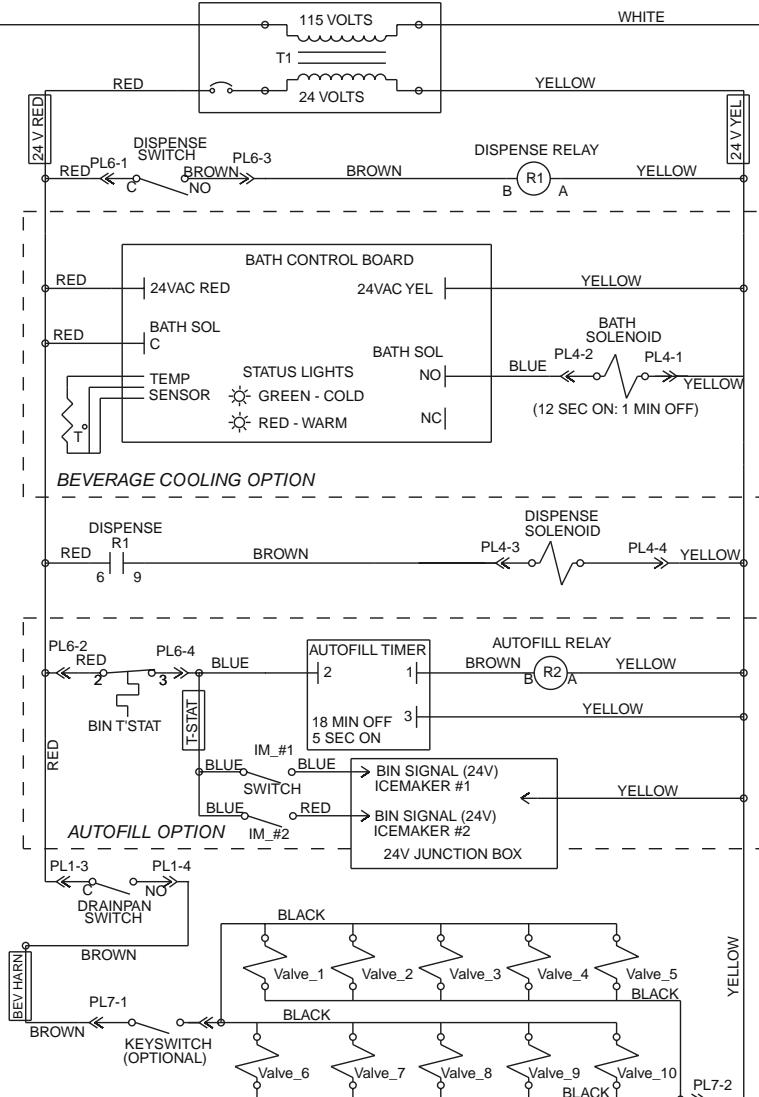
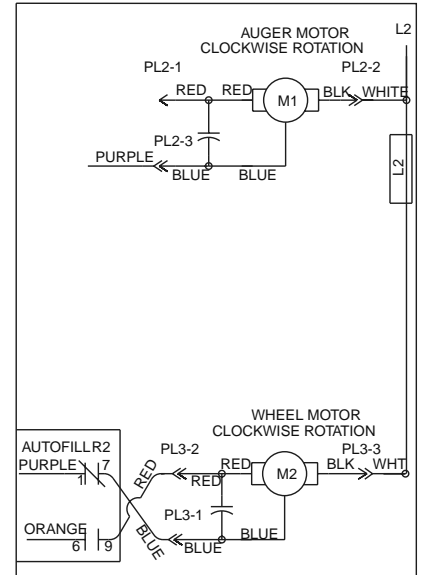
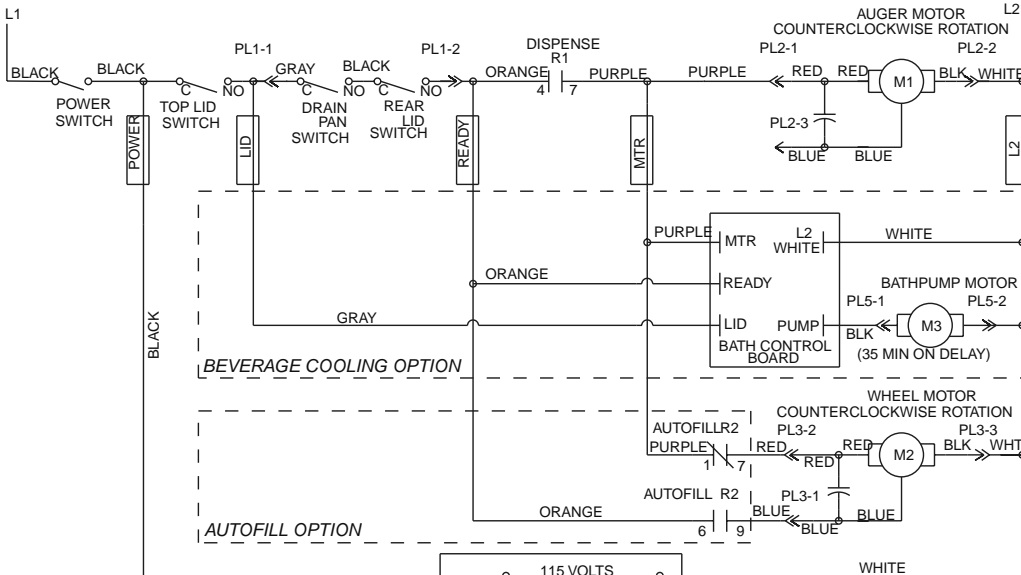
Fig. 3



Wiring diagram

Right hand unit

Left hand unit



Dispenser troubleshooting guide

Before calling for service

1. Check that ice is in the dispenser and that congealed cubes are not causing a jam.
2. Check that circuit breaker and switches are in ON position.
3. Check that drain pan, rear lid and top are on securely. If ajar, dispenser will not operate. When the top is off, auger does not operate, even though the solenoids do (page 16).
4. Check that all drains are clear.

Note: For units equipped with Follett compressed nugget icemaker, see Icemaker Operation and Service Manual for service and troubleshooting information.

| Symptom | Possible cause | Solution |
|--|---|---|
| Ice does not dispense. <ul style="list-style-type: none"> • Auger motor does not run • Wheel motor does not run | <ol style="list-style-type: none"> 1. Power switch faulty or in OFF position; loose connection. 2. Faulty dispense switch. 3. Faulty transformer. 4. Drain pan ajar. 5. Faulty drain pan safety switch. | <ol style="list-style-type: none"> 1. Turn power switch to ON position; check connections. 2. Replace switch. 3. Replace transformer. 4. Check pan and reseal. 5. Replace switch. |
| Ice does not dispense. <ul style="list-style-type: none"> • Auger motor runs • Wheel motor runs • Gate does not open | <ol style="list-style-type: none"> 1. Loose electrical connection. 2. Linkage problem between solenoid and gate. 3. Faulty solenoid. | <ol style="list-style-type: none"> 1. Check connections. 2. Check linkage. 3. Replace solenoid. |
| Ice does not dispense. <ul style="list-style-type: none"> • Auger motor does not run • Wheel motor runs | <ol style="list-style-type: none"> 1. Loose electrical connection. 2. Faulty auger motor. 3. Faulty run capacitor. | <ol style="list-style-type: none"> 1. Check connections. 2. Check auger motor. 3. Check run capacitor. |
| Ice does not dispense. <ul style="list-style-type: none"> • Auger motor runs • Wheel motor does not run | <ol style="list-style-type: none"> 1. Loose electrical connection. 2. Faulty wheel motor. 3. Faulty run capacitor. | <ol style="list-style-type: none"> 1. Check connections. 2. Check wheel motor. 3. Check capacitor. |
| Warm drinks or soda foaming. | <ol style="list-style-type: none"> 1. No ice in storage bin. 2. Water drained out of ice water bath. 3. Circulating pump not running. | <ol style="list-style-type: none"> 1. Fill storage area with ice or check icemaker operation. 2. Check that ice water bath drain tube is in fixed upright position. 3. Check pump and PC board for output. |
| No ice in dispenser. | <ol style="list-style-type: none"> 1. Power switch in OFF position or faulty. 2. Bin signal switches in OFF position or faulty. 3. Faulty bin thermostat. 4. Faulty transformer. 5. Icemaker related problem. 6. Faulty or disconnected wiring. | <ol style="list-style-type: none"> 1. Check switch and replace if necessary. 2. Check switch and replace if necessary. 3. Replace bin thermostat. 4. Replace transformer. 5. Refer to icemaker Operation and Service Manual for diagnosing. 6. Check for power and bin signal on icemaker PC board. |

If problems persist after following this basic troubleshooting guide, call Follett's technical service department toll at (800) 523-9361 or (888) 2-FOLLETT or (610) 252-7301.

Operational Status

The chart below shows the operational status of various parts when certain switches are turned off or accessories are removed.

| Condition | Pump | Solenoids | Auger | Wheel | Beverage valves |
|---------------------------------|------|-----------|-------|-------|-----------------|
| Top lid off | OFF | ON | OFF | OFF | ON |
| Rear lid off | ON | ON | OFF | OFF | ON |
| Drain pan off | ON | ON | OFF | OFF | OFF |
| On/off switch in off position | OFF | OFF | OFF | OFF | OFF |
| Beverage switch in OFF position | ON | ON | ON | ON | OFF |

Waterbath circuit board operation

The temperature sensor is hard wired directly to the circuit board. The waterbath circuit board operates on 24 volts AC. The bath pump will run for 35 minutes whenever ice is dispensed or the bath calls for ice.

Optimal beverage temperature is controlled by the circuit board located in the electrical box. The board monitors the waterbath temperature and holds it to a factory setting. When the Red LED is ON, the bath solenoid, auger motor, wheel motor and bath pump are energized. Ice will be dispensed into the waterbath for 12 seconds, then stop for 60 seconds. The pump will stay energized, and the circuit board will then monitor the water temperature. If it is below the set point, the Green LED will come on, the Red LED light will go off, and ice will not dispense into the waterbath. If the temperature of the bath is determined to be above the set point, the Red LED will remain on. The circuit board has a delay of 60 seconds before more ice is dispensed into the waterbath.

LED indicators:

Green – the waterbath is at the set temperature.

Red – the bath temperature is above the set temperature and the bath is calling for ice.

Flashing LED indicators:

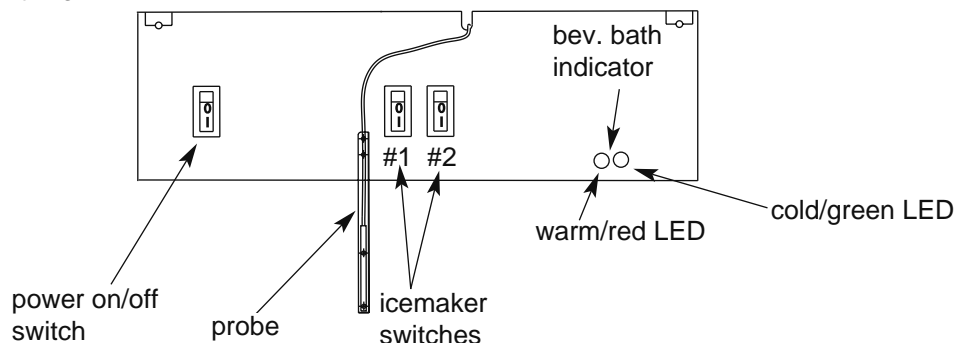
Flashing Red and Green – the circuit board has gone into an **error mode**:

Alternate flashing – circuit board has power and is waiting for hopper cover and dispenser top to be replaced.

Simultaneous flashing – the waterbath did not reach set temperature in 40 minutes. Reset this error mode by turning power off, removing top lid, drain pan or rear lid.

Electrical box

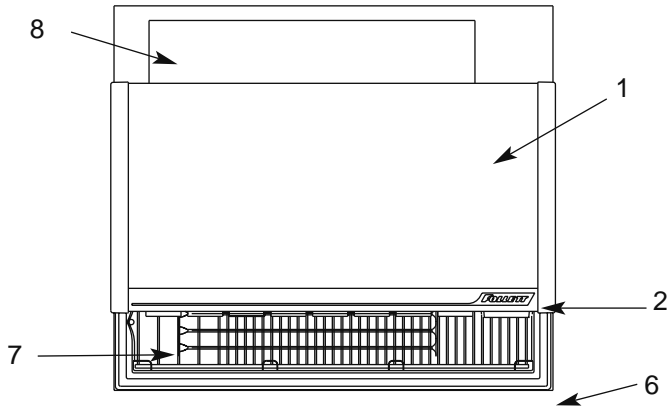
Front View



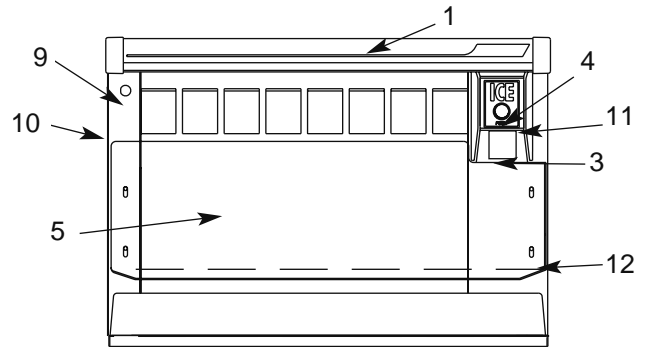
Replacement parts

Dispenser exterior

Top View
8 valve (8v) unit with right hand (RH) tower

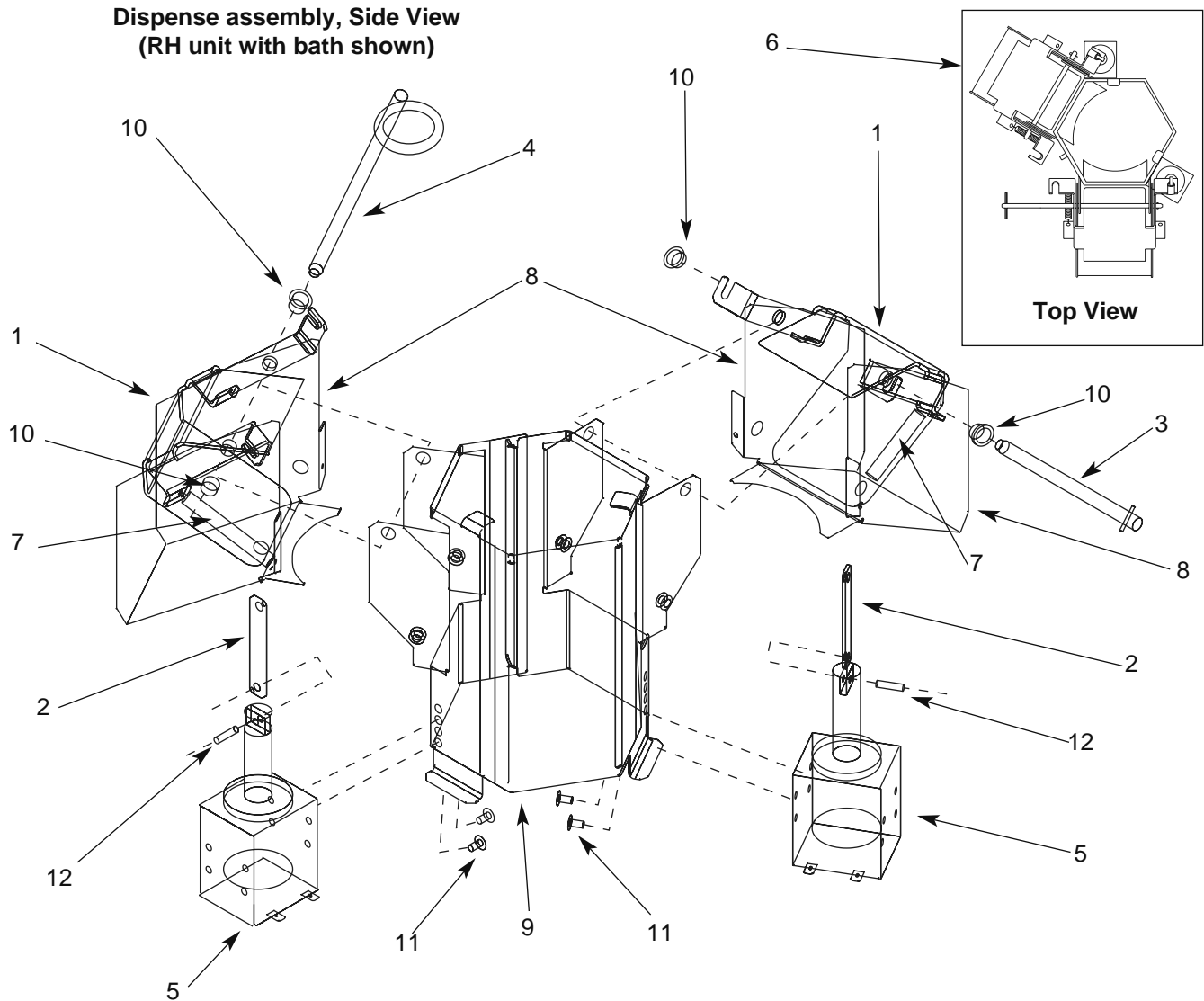


Front View
8 valve (8v) unit with right hand (RH) tower
(push-button dispensing)



| Reference # | Description | Part # |
|-------------|--|--------|
| 1 | Lid, 8 valve unit (includes "Follett" label) | 502436 |
| 1 | Lid, 10 valve unit (includes "Follett" label) | 502437 |
| 2 | Label, "Follett" | 502438 |
| 3 | Cover, dispense chute, lever operation | 502439 |
| 3 | Cover, dispense chute, push-button operation (includes button) | 502440 |
| 4 | Switch, push-button operation | 502441 |
| 5 | Backsplash, RH unit, 8 valves | 502445 |
| Not shown | Backsplash, LH unit, 8 valves | 502444 |
| Not shown | Backsplash, RH unit, 10 valves | 502443 |
| Not shown | Backsplash, LH unit, 10 valves | 502442 |
| 6 | Drain pan, 8 valve unit | 502446 |
| Not shown | Drain pan, 10 valve unit | 502447 |
| 7 | Grille, drain pan, 8 valve unit | 502450 |
| Not shown | Grille, drain pan, 10 valve unit | 502451 |
| 8 | Cover, ice storage bin, rear — all U155 units (except N units) | 502452 |
| Not shown | Cover, ice storage (under drain pan) — all U155 units | 502453 |
| 9 | Switch, key lock for valves | 501409 |
| Not shown | Key, beverage lock switch | 501286 |
| 10 | Panel, end, beverage, RH unit | 502584 |
| Not shown | Panel, end, beverage, LH unit | 502583 |
| Not shown | Panel, access, RH and LH units | 502585 |
| Not shown | Panel, rear, motor support, RH unit | 502586 |
| Not shown | Panel, rear, motor support, LH unit | 502587 |
| Not shown | Panel, front, dispense mechanism, RH unit | 502588 |
| Not shown | Panel, front, dispense mechanism, LH unit | 502589 |
| Not shown | Panel, rear, 8v | 502590 |
| Not shown | Panel, rear, 10v | 502591 |
| 11 | Label, ice, dispense cover, push-button | 502623 |
| Not shown | Label, ice, dispense cover, lever | 502622 |
| Not shown | Clip, Tinnerman, 10-32 | 502621 |
| 12 | Thumbscrew, backsplash, 10-32 x 1/2 | 501100 |
| Not shown | Legs, 6" (153mm) adjustable to 9" (229mm) — set of 4 | 502454 |
| Not shown | Screw, 10-32 x 1/2 | 502287 |
| Not shown | Plug 2 lead, male | 502333 |
| Not shown | Plug 2 lead, female | 502334 |

Dispense assembly

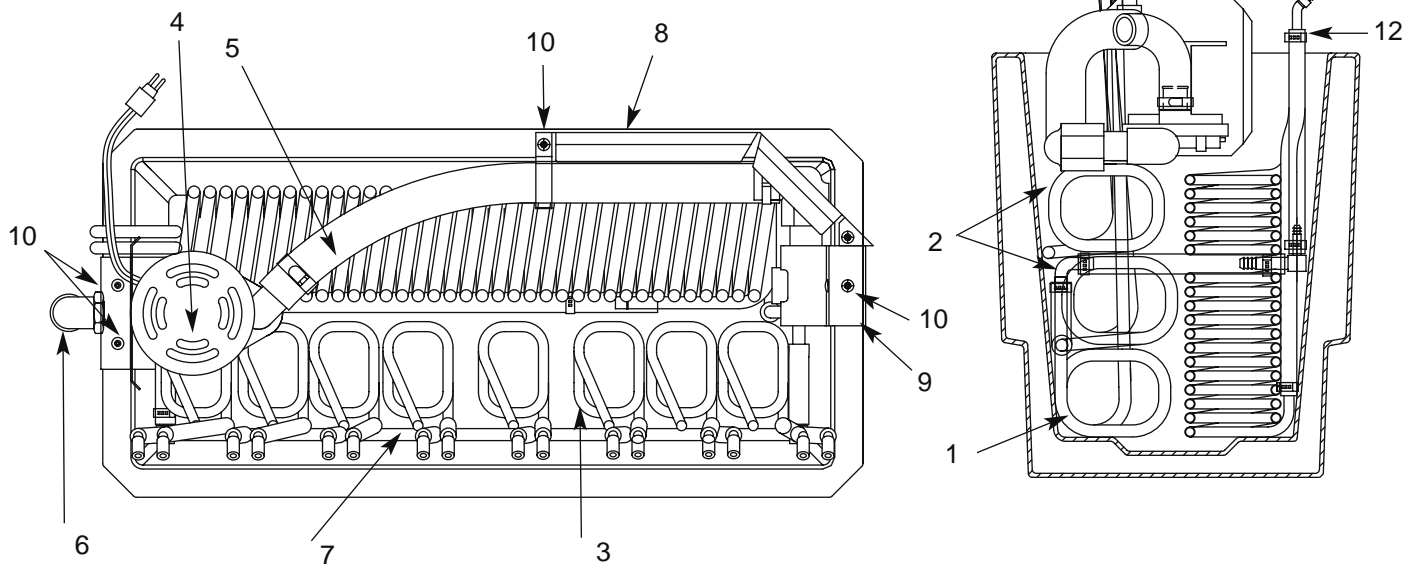


| Reference # | Description | Part # |
|-------------|--|--------|
| 1 | Gate, dispense | 502455 |
| 2 | Linkage pin, gate/solenoid | 502456 |
| 3 | Pin, quick release, 3" (77mm), bath gate and lever | 501949 |
| 4 | Pin, quick release, 5.53" (141mm), dispense gate | 502102 |
| 5 | Solenoid (includes linkage pin) | 402403 |
| 6 | Dispense mechanism assembly, bath, RH unit | 502448 |
| Not shown | Dispense mechanism assembly, bath, LH unit | 502449 |
| Not shown | Dispense mechanism assembly, non-bath RH unit | 502458 |
| Not shown | Dispense mechanism assembly, non-bath, LH unit | 502496 |
| 7 | Spring, dispense mechanism (1 per side) | 501950 |
| 8 | Chute, ice | 502457 |
| 9 | Wrap, dispense mechanism | 502607 |
| 10 | Bushing, Ni liners | 501249 |
| 11 | Screw, 8-32 x 5/16 | 502625 |
| 12 | Pin, spring | 502624 |
| Not shown | Push pins, clear chute | 502618 |
| Not shown | Chute, focus — clear plastic | 502459 |
| Not shown | Lever, dispense | 501953 |

Waterbath

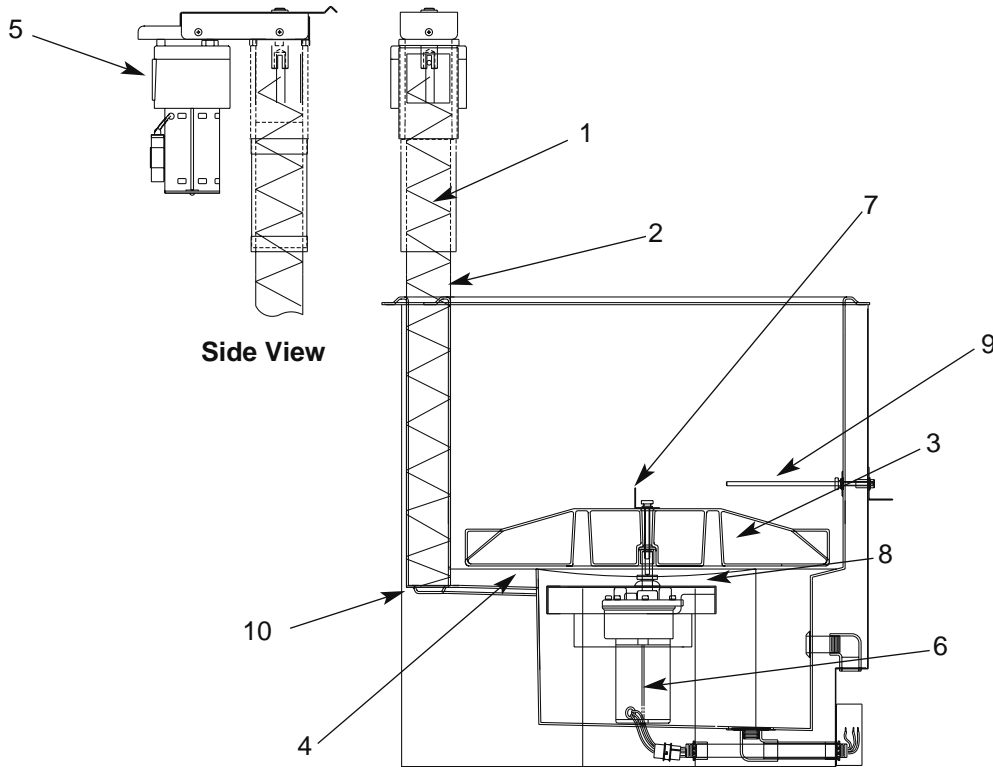
Side View

Top View



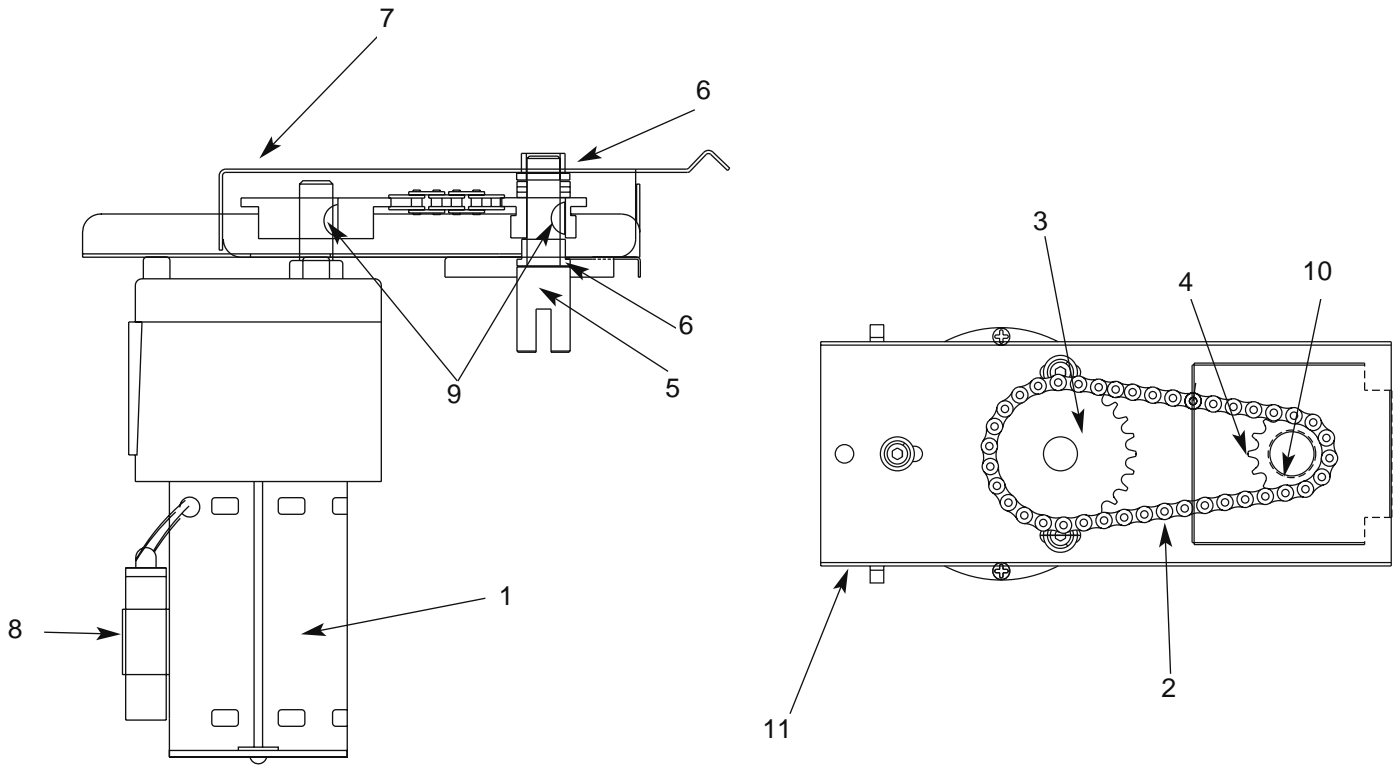
| Reference # | Description | Part # |
|-------------|--|----------|
| 1 | Coil, 14" (356mm) riser — carbonated water | 00107391 |
| 2 | Coil, 12-1/2" (318mm) riser — plain water/carbonated water | 502461 |
| 3 | Coil, syrup | 502462 |
| 4 | Pump, water bath (includes mounting plate and elbow) | 00111476 |
| 5 | Pump, discharge assembly, RH, 8v (includes 2 elbows) | 00109314 |
| Not shown | Pump, discharge assembly, LH, 8v (includes 2 elbows) | 00109322 |
| Not shown | Pump, discharge assembly, RH, 10v (includes 2 elbows) | 00109330 |
| Not shown | Pump, discharge assembly, LH, 10v (includes 2 elbows) | 00109348 |
| 6 | Elbow, overflow drain, 1" (26mm) x 3/4 MPT | 502465 |
| Not shown | Elbow, clean-out drain, 3/8" (10mm) x 3/8 MPT | 502466 |
| 7 | Manifold, carbonated water, 8 valve unit | 502468 |
| Not shown | Manifold, carbonated water, 10 valve unit | 502469 |
| Not shown | Manifold, 8 valve unit without beverage bath | 502470 |
| Not shown | Manifold, 10 valve unit without beverage bath | 502494 |
| 8 | Bath, splash shield, RH | 502596 |
| Not shown | Bath, splash shield, LH | 502595 |
| 9 | Clamp, elbow, bath | 502626 |
| 10 | Screw, 8 x 1/2, stainless | 502627 |
| 11 | Fitting, beverage valve | 207855 |
| 12 | Clamp, Otiaker, 1/4" (7mm) | 00113761 |

Hopper



| Reference # | Description | Part # |
|-------------|---|--------|
| 1 | Auger, LH unit (black, stamped with "1") | 502491 |
| Not shown | Auger, RH unit (gray, stamped with "2") | 502492 |
| 2 | Tube, auger, LH unit with beverage bath | 502486 |
| Not shown | Tube, auger, RH unit with beverage bath | 502485 |
| Not shown | Tube, auger, RH unit without beverage bath | 502487 |
| Not shown | Tube, auger, LH unit without beverage bath | 502488 |
| 3 | Wheel, dispense (includes stud and rotating agitator) | 501681 |
| 4 | Baffle (under dispense wheel) | 501684 |
| Not shown | Drive bar (under dispense wheel) | 501682 |
| 5 | Motor, vertical auger | 502476 |
| 6 | Motor, wheel | 502560 |
| Not shown | Seal, wheel motor | 501333 |
| Not shown | Spacer, wheel motor | 501768 |
| Not shown | Capacitor, wheel motor | 501782 |
| 7 | Agitator, rotating, 21" (534mm) long | 502484 |
| 8 | Plate, wheel motor mounting | 502615 |
| 9 | Agitator, stationery | 502490 |
| 10 | Plate, auger bearing | 501696 |
| Not shown | Bracket, ice tube, double tube | 502497 |
| Not shown | Ice transport tube (sold by the foot) | 500366 |
| Not shown | Ice transport tube, 10 ft | 502522 |
| Not shown | Ice transport tube, 20 ft | 502523 |
| Not shown | Insulation, transport tube (sold by the foot) | 501176 |
| Not shown | Cover, blank ice entry | 502674 |
| Not shown | Thermostat | 501432 |
| Not shown | Gasket, ice entry | 502672 |
| Not shown | Plate, ice entry, 2 holes | 502673 |

Auger motor

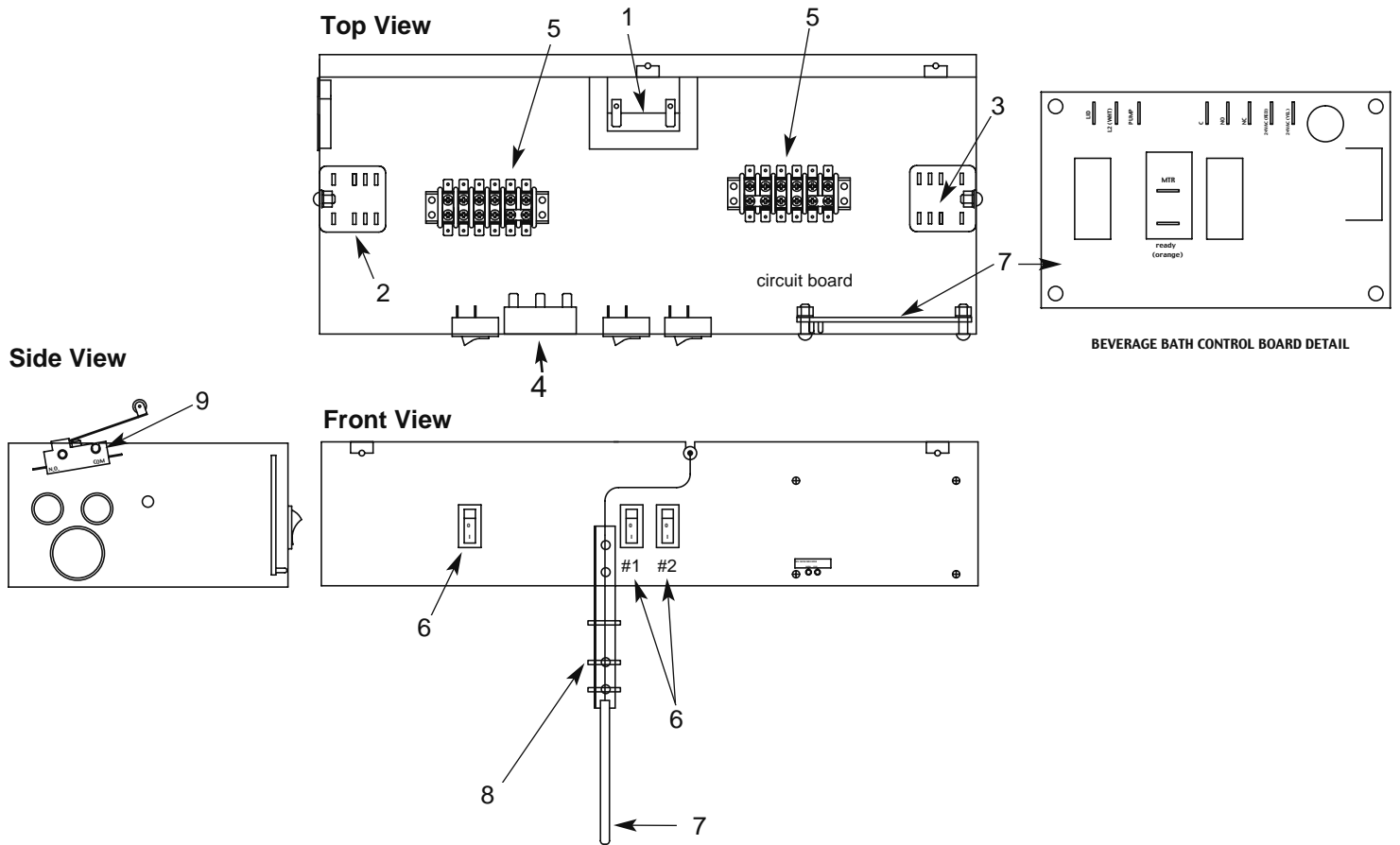


Side View

Top View

| Reference # | Description | Part # |
|-------------|---|--------|
| 1 | Auger motor/drive assembly, vertical (includes all items below) | 502493 |
| 1 | Motor, vertical auger (includes gearbox and capacitor) | 502476 |
| 2 | Chain, auger drive #35, 40p | 502477 |
| 3 | Sprocket 35#, 22T 5/8 bore | 502478 |
| 4 | Sprocket 35#, 12T 5/8 bore | 502479 |
| 5 | Drive shaft | 502480 |
| 6 | Bearing, auger, upper and lower | 501314 |
| 7 | Cover and bearing, chain drive (includes 501314) | 502481 |
| 8 | Capacitor, 25mf, 270V | 501550 |
| 9 | Key, Woodruff | 502482 |
| 10 | Washers, thrust, (4) | 501765 |
| 11 | Mounting plate, auger motor (includes 501314) | 502483 |

Electrical components



| Reference # | Description | Part # |
|-------------|--|--------|
| 1 | Transformer, 24V | 502058 |
| 2 | Relay, auto fill | 501826 |
| 3 | Relay, dispense | 501826 |
| 4 | Timer, auto fill (automatic fill units) | 502471 |
| 5 | Strips, terminal | 502472 |
| 6 | Switches (power and icemaker) | 502209 |
| 7 | Board, circuit and probe (one unit) | 502473 |
| 8 | Bracket, probe | 502474 |
| 9 | Switch, safety | 502511 |
| Not shown | Switch, safety, rear cover assembly, LH unit | 502498 |
| Not shown | Switch, safety, rear cover assembly, RH unit | 502499 |
| Not shown | Switch, safety, drain pan assembly, LH unit | 502500 |
| Not shown | Switch, safety, drain pan assembly, RH unit | 502501 |
| Not shown | Switch, dispense, lever | 502505 |
| Not shown | Bracket, safety switch, rear | 502608 |
| Not shown | Bracket, safety switch, drain pan, RH | 502609 |
| Not shown | Bracket, safety switch, drain pan, LH | 502610 |
| Not shown | Thermostat, bin level | 500514 |

