

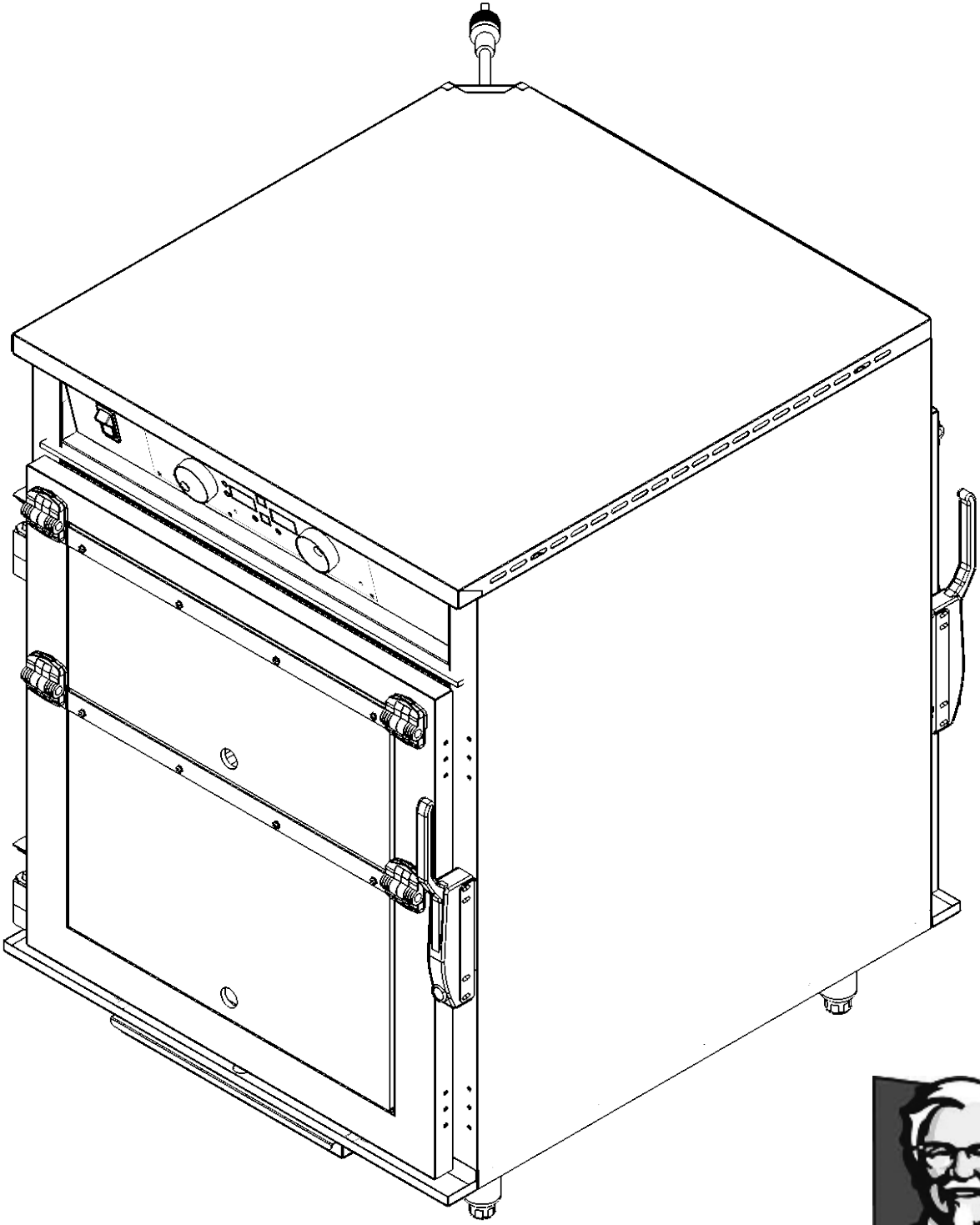
PHTT-5P-KFC

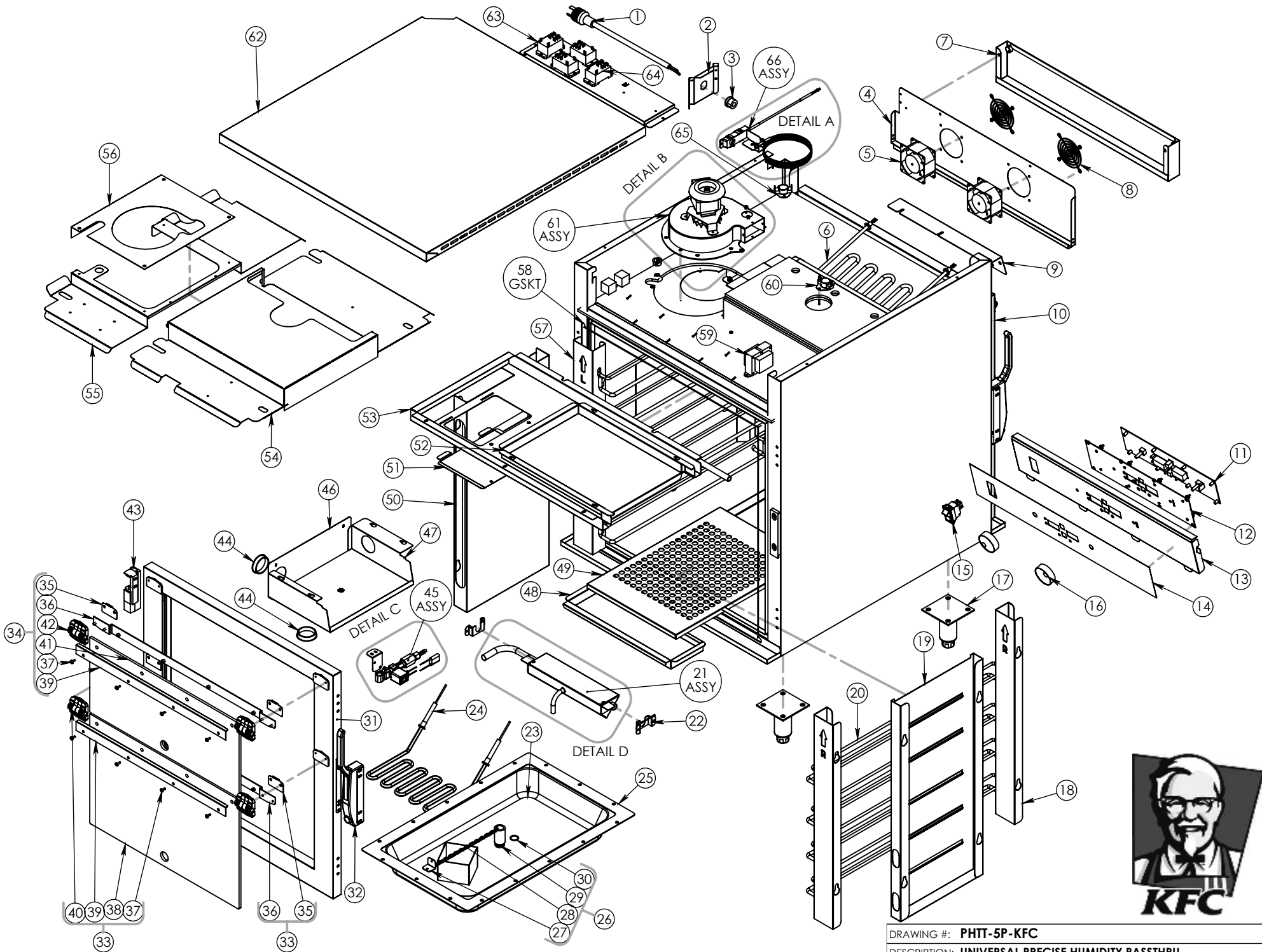
Pg.1TITLE PAGE

Pg.3DETAIL PAGE

Pg.2PHTT-5P-KFC

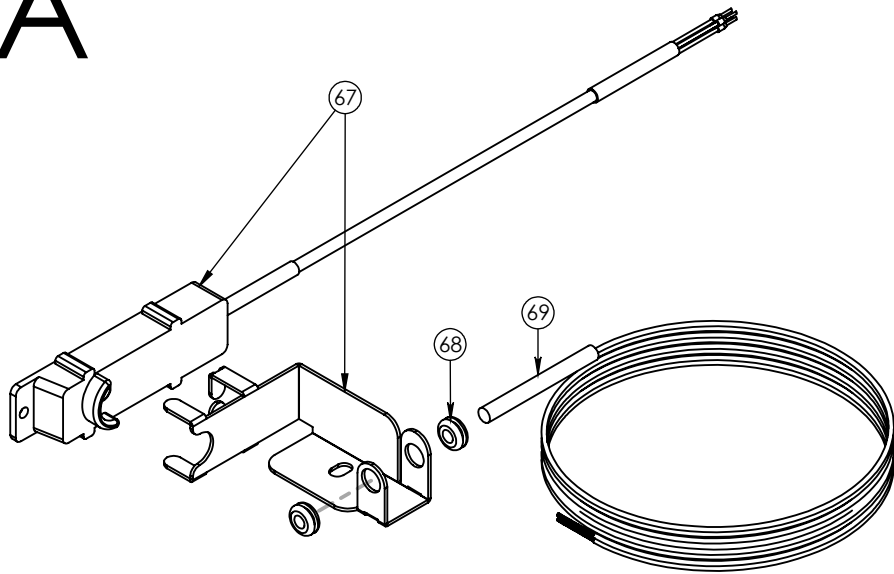
Pg.4PHTT-5P-KFC BOM



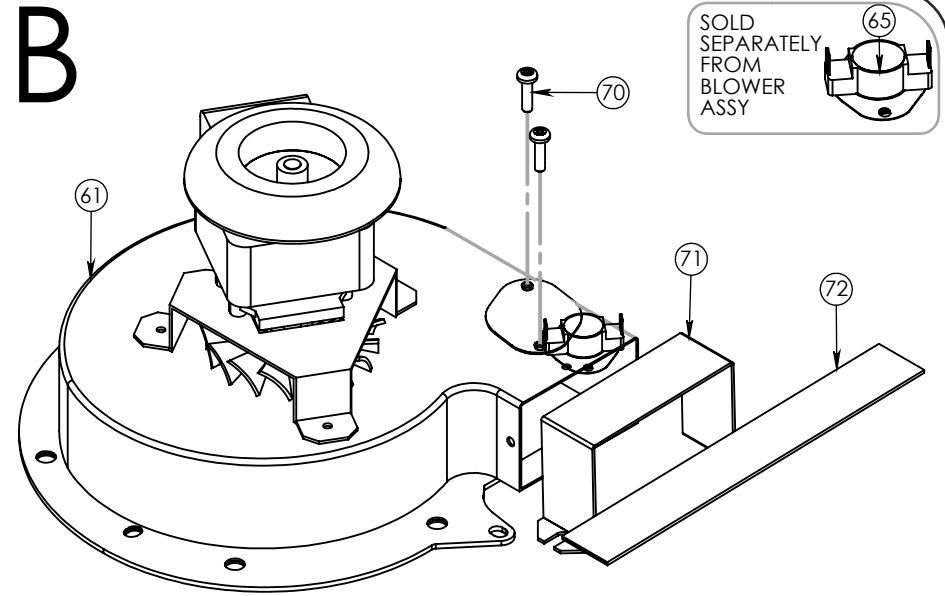


DRAWING #: **PHIT-5P-KFC**
 DESCRIPTION: **UNIVERSAL PRECISE HUMIDITY PASSTHRU**
 DRAWN BY: DP LAST SAVED BY: andrew82

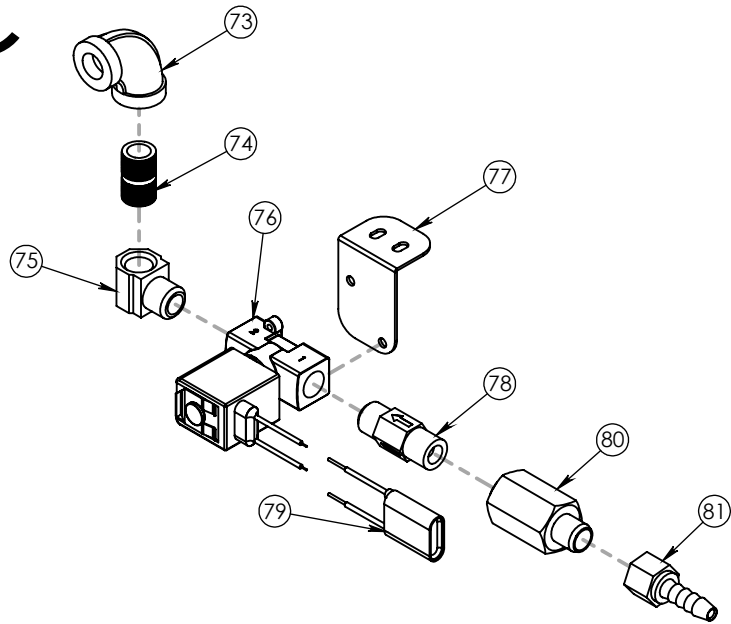
A



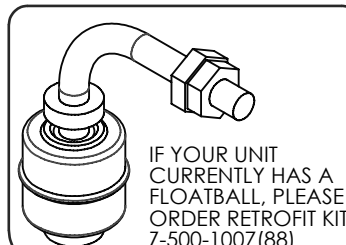
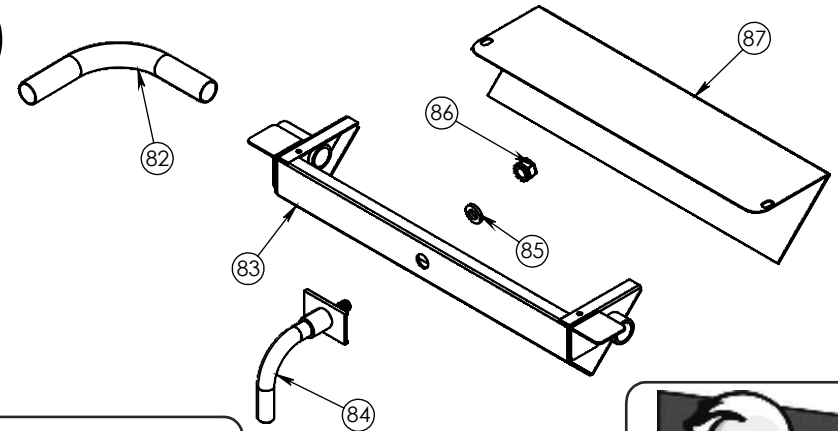
B



C



D



DRAWING #: **PHTT-5P-KFC**
 DESCRIPTION: **UNIVERSAL PRECISE HUMIDITY PASSTHRU**
 DRAWN BY: DP LAST SAVED BY: dplodzien

ITEM NO.	QTY.	PART NO.	DESCRIPTION
1	1	CRDSET20-115 TWIST LOCK	CORD 12' 115 VOLT L5-20P 12/3
2	1	53518	PHTT CORD BRKT 3 POS CORD
3	1	BSH STRN 4	STRAIN-RELIEF BLK SR 8P-2
4	1	66240	PHTT-P REAR FAN MOUNT PNL PRS GKT
5	2	FAN PHTT 115	SUNON 115V FAN,80 X 80 X 38MM
6	1	EL2000-120-HT SCREW LUG	ELEMENT 2000 WATT 120 VOLT
7	1	53856	PHTT-P REAR COOLING FAN COVER
8	2	GRD FAN	FAN GUARD
9	1	54611	SINGLE ELEMENT MOUNTING PLATE
10	1	Z-301-2750 (INCLUDES PARTS (32-43)	PHTT-5P-KFC 2 FLIP LXN SC/MAG LH-FR
11	1	CNTRL BRD-PHTT 5	CONTROL BOARD FOR PHTT
12	1	80030	CNTRL P ANEL PRECISE HUMITEMP
13	1	57547	PHTT-KFC CONTROL PANEL
14	1	CNTRL PNL PHT	OVERLAY CNTR PNL PHT 4.125X 24"
15	1	SWH RCK E1	SWITCH NON-LT ROCKER 125/250V 20AMP
16	2	KNB PHTT	KNOB, DIMPLE TURN
17	4	LEG SS4	4 STAINLESS STEEL LEGS W/PLATE
18	2	56648	PHTT-5-KFC UPTIGHT RIGHT 2 FLIP
19	1	80318	PHTT-5P-KFC SUPPLY TUNNEL
20	10	SLD-PHTT245-SS	TRAY SLIDES PHTT245 SS ELECTRO-POLI
21	1	Z-800-2108 (INCLUDES PARTS 82-87)	PHTT-CONDUCTIVE PROBE HOUSING ASSY
22	2	53690	PHTT BOTTOM HEAT PIVOT CAP
23	1	Z-600-2636	ALUMINUM PAN 12"X20"X2-1/2"
24	1	EL2000-120PHTT-2.5	ELEMENT 2000W 120V FOR 2.5" PAN
25	1	GSKT PHTT	PHTT CLOSED CELL SILICONE GASKET .063
26	1	Z-600-3979 (INCLUDES PARTS 27-30)	MACHINED PPS PIPE ASSY
27	1	55536	PHTT PIPE CLAMP BRKT
28	1	01119	SINGLE JACK CHAIN 8"
29	1	PIPE-DRAIN (MANDATORY TO ALSO ORDER #30)	PIPE STAND 1"DIA X 2' L - PPS
30	1	O-RING-OR018	O-RING 3/4"ID X 1/16"THK SILICONE
31	1	Z-301-3096 (INCLUDES PARTS (32-43)	PHTT-5P-KFC 2 FLIP LXN SC/MAG RH-FR
32	2	LTH MAG OFFSET HNDL	CHROME MAGNETIC LATCH #1071B00024
33	2	Z-600-3115 INCLUDES PARTS (35-43)	PHTT-5P-KFC LEXAN ASSY 1" HOLE
34	2	Z-600-2998 (INCLUDES PARTS 35-37, 39, 41, 42)	PHTT KFC LEXAN ASSY W/ 1" HOLE
35	8	59679	HNG SET ANGLE SPRING CAP
36	4	56109	PHTT KFC LEXAN DOOR HINGE PLATE
37	16	S8-32X375 PH	8-32X3/8 PAN HEAD PHILLIPS MS,18-8
38	2	70110	PHTT-5P-KFC LEXAN DOOR 1" HOLE
39	4	56110	PHTT KFC LEXAN DOOR FRONT PLATE
40	4	HNG SET ANGLE-2SS	SET ANGLE POSITION HINGE, 150 DEG
41	2	70097	PHTT KFC LEXAN PC DOOR 1 IN HOLE
42	4	HNG SET ANGLE SS	SET ANGLE POSITION HINGE 150 DEG SS
43	4	HNG-LIFT-OFF-215	HINGE LIFT-OFF SELF CLOSING 1-3/16
44	2	PLG 1 3-4	PLUG-BK FINISHING-UNVENT-LOCK 1-3/4
45	1	Z-600-3347 (INCLUDES PARTS 73-81)	PHTT WATER AUTO FILL ASSY
46	1	54955	PHTT SIDE ACCESS PANEL
47	1	57543	PHTT KFC ELECTRICAL BOX COVER
48	2	56331	PHTT-KFC DRIP PAN
49	1	55389	PHTT KFC WATER PAN COVER
50	1	80317	PHTT-5P-KFC RETURN TUNNEL

51	1	57659	PHTT BAFFLE ACCESS PLATE
52	1	59727	PHTT BTM HEAT COVER LARGE
53	1	67771	PHTT BLOWER RETURN BAFFLE
54	1	54706	PHTT TOP ELEM HOUSING INSUL HOLDER
55	1	53211	PHTT INSIDE TOP INSUL COVER
56	1	54707	TOP BLOWER ACCESS PLATE
57	2	56647	PHTT-5-KFC UPRIGHT LEFT 2 FLIP DR
58	1	GASKET (SEE BOTTOM FOR DETAILS)	(SEE BOTTOM FOR DETAILS)
58(A)	1	GSKT MAG2526	GSKT MAG 25.250 X 30.500
58(B)	2	GSKT-D-24X25-125	SILICONE DOOR GASKET D 24.00X25.125
59	1	TRNS-240-120-40VA	TRANSFORMER 240V-120V 40 VA
60	1	SNAP DISC 210-250	COOL DOWN SWITCH NC L250
61	1	Z-500-1009 (INCLUDES PARTS (61, 70-72)	BLWR-120-60
62	1	23485	PHTT-KFC OUTSIDE TOP 3 POS CORD
63	2	RLY 30AMP DPDT	30AMP PANEL MOUNT RELAY,2 POLE 120V
64	2	RLY 30AMP DPDT-FIN	30AMP PANEL MOUNT RELAY,2 POLE 120V
65	1	SNAP DISC 150-130	COOL DOWN SWITCH NO F150
66	1	Z-800-2042 (INCLUDES PARTS (67-69)	PHTT SENSOR MOUNT PLATE ASSY
67	1	Z-600-3850	PHTT SENSOR NO T PROBE
68	2	GRMT-HT-3-16	SILCONE GROMMET 3/16ID X 7/16OD
69	1	THERMISTOR-PROBE	THERMISTOR-PROBE
70	2	S8-32X10 CTS	SCRW 8-32X5/8 PH CUT 410
71	1	GSKT 1MCS @ 7"	MED CELL SIL FOAM GSKT 1X.25X20PSA
72	1	59672	BAY BLOWER END SEAL CAP
73	1	ELB-90-SS-TBE-1-4	ELBOW S/S 1/4" PIPE-90 DEGREE-TBE
74	1	PIPE-NIPPLE-BRS-250	BRASS PIPE NIPPLE, 1/4" NPT,FULL THR
75	1	ELB-250-BRS	RASSELBOW BRASS, 1/4"NPT MALE-FEMALE
76	1	V.V SLND 2-WAY PHTT 120V	2 WAY WATER SOLENOID VALVE, 120V
77	1	57628	PHTT AUTO FILL MOUNTING BRKT
78	1	FILTER-PIPE	FILTER, IN LINE PIPE STYLE 1/4" NPT
79	1	CNTRL SURGE SUPPRESSOR	SURGE
80	1	V.V BALL 250	MINI CHROME BALL VALVE 1/4" NPT
81	1	ADPTR BRASS FEMALE 1-4	FEMALE ADAPTER 1/4 NPT X 1/4 BARB
82	1	SLV-ACRYLIC-WHITE-7-16 @ 12"	SLEEVING ACRYLIC 7/16 ID WHITE FAI
83	1	Z-600-3117	PHTT-KFC BOTTOM ELEMENT PLATE ASSY
84	1	COND PROBE AT	CONDUCTIVE PROBE 2.125" ANTI-TWIST
85	1	W1-45LSS	WASHER 1/4 MED.SPLIT LK SS
86	1	N14-20 NEUN	NUT 1/4-20SS SLEF LOCKING
87	1	53358	PHTT-5 ELEMENT MOUNTING COVER
88	1	Z-500-1007 (INCLUDES PARTS 82-85)	FLOAT BALL CONVERT SI-KFC0004

*UNITS WITH A SERIAL NUMBER MATCHING OR PRECEDING 133706802 WILL RECEIVE 58(a) ALL SERIAL NUMBERS PROCEEDING 133706802 WILL RECEIVE 58(B)

IF YOU ARE UNABLE TO ACQUIRE A SERIAL NUMBER PLEASE CONTACT US FOR FURTHER ASSISTANCE IN IDENTIFYING AND PURCHASING A REPLACEMENT GASKET OR ANY OTHER QUESTIONS YOU MAY HAVE.
PHONE: (800)-222-4393



DRAWING #:	PHTT-5P-KFC
DESCRIPTION:	UNIVERSAL PRECISE HUMIDITY PASSTHRU
DRAWN BY:	DP
LAST SAVED BY:	dplodzien