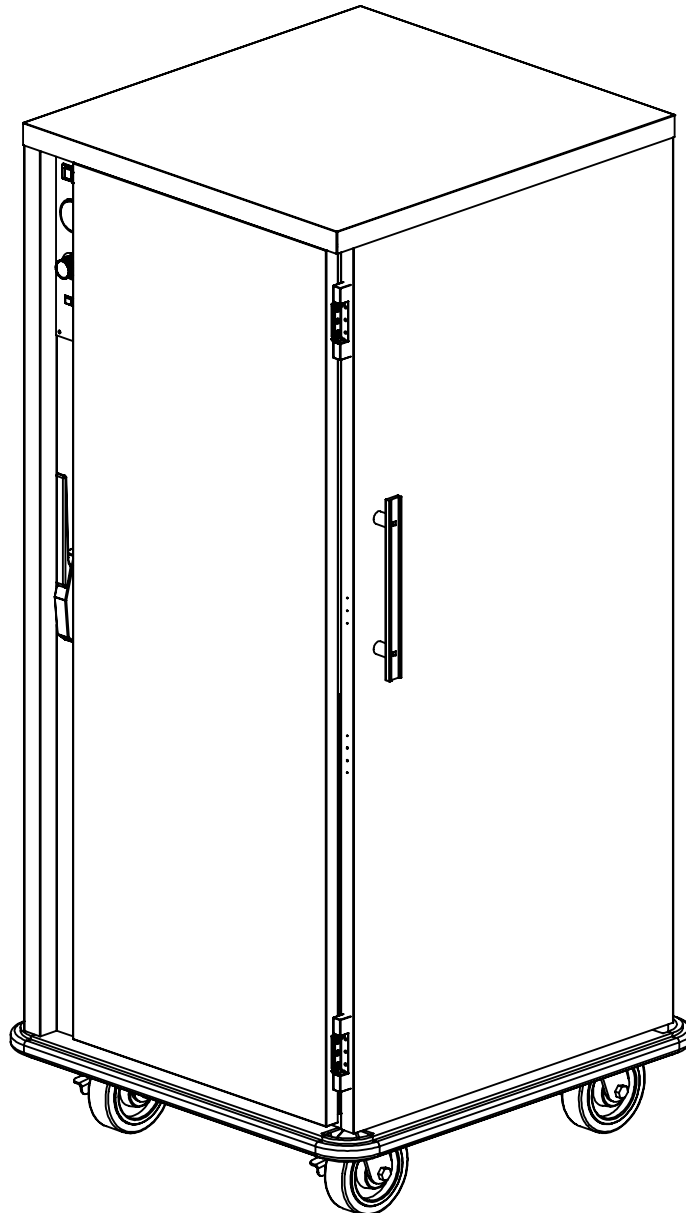


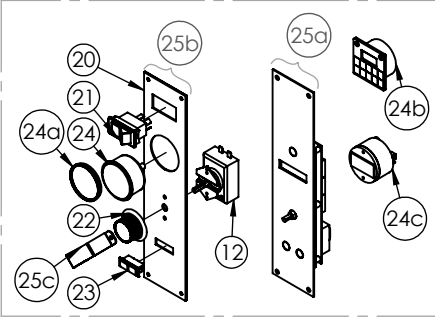
MODEL:

UHS-12

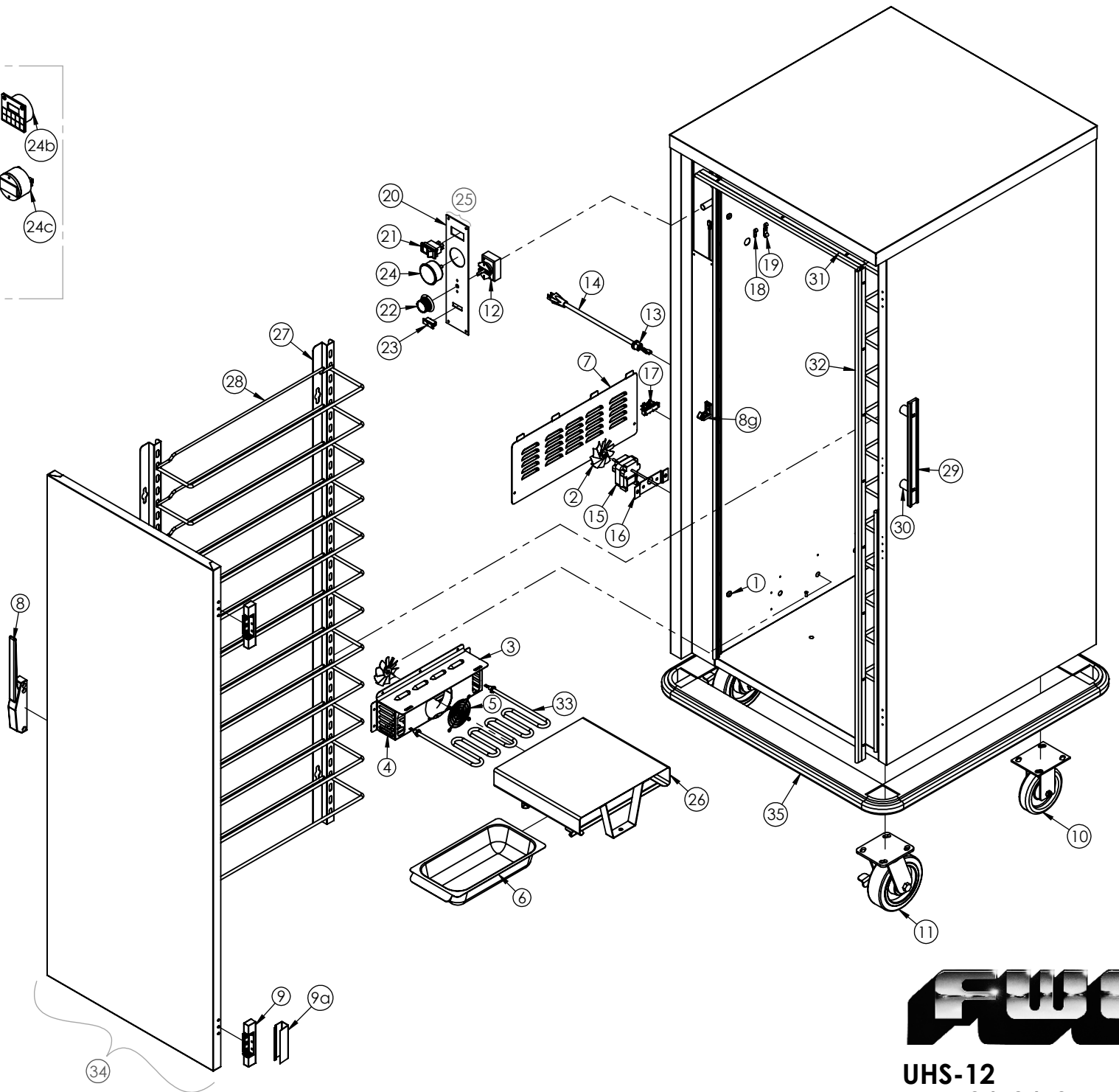
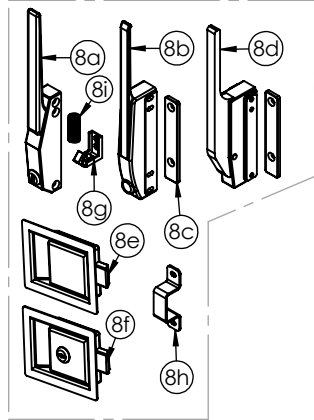
Parts Manual



CONTROL PANEL OPTIONS



LATCH OPTIONS



UHS-12
REV: 2/12/10

| UHS-12 PARTS LIST | | | | | |
|---|------|------------------------|---|--------------------------------------|---------------------------------|
| **NOTE: CALL MANUFACTURER IF PART IS NOT LISTED** | | | | *ELEMENT AND CORD OPTIONS FOR UHS-12 | |
| ITEM NO. | QTY. | PART NO. | DESCRIPTION | 120V ELEMENT-EL1250-120-HT | 120V CORD 15A-CRDSET10/115 |
| 1 | 8 | B1/4-20X12CS | BOLT CARG 1/4-20X.7518-8S | 120V UPGRADE-EL1500-120-HT | 120V CORD 15A-CRDSET10/115 |
| 2 | 2 | BLD FAN AL | BLADE FAN AL 3IN 1875-0 | | |
| 3 | 1 | 4041 | HUMITEMP BLOWER LID | 220V ELEMENT-EL1250-220-HT | 220V CORD 15A-CRDSET10/220 |
| 4 | 1 | 4011 | HUMITEMP BLOWER HOUSING | 220V UPGRADE-EL1500-220-HT | 220V CORD 15A-CRDSET10/220 |
| 5 | 1 | GRD FAN | GUARD FAN HUMI-TEMP UNITS | | |
| 6 | 1 | WATER-PAN-3RD-WHDL | Water-Pan-3rd-WHDL | | |
| 7 | 1 | 53454 | HUMITEMP LOUVER PANEL W/TABS | | |
| 8 | 1 | LTH-DR | EDGEMOUNTED DOOR LATCH/CHROME (STANDARD) INCLUDES ITEM 8g | | |
| 8a | 1 | LTH-DR LK | EDGEMOUNTED DOOR LATCH/CHROME WITH LOCK (OPTION) INCLUDES 8g | | |
| 8b | 1 | LTH MAG | MAGNETIC CHROME LATCH (OPTION) INCLUDES 8c | | |
| 8c | 1 | LTH-DR-MAG-RH-STRIKE | LATCH OFFSET COMPOSITE, BLACK STRIKE | | |
| 8d | 1 | LTH DR MAG-RH | MAGNETIC LATCH OFFSET COMPOSITE, BLACK (OPTION) INCLUDES 8c | | |
| 8e | 1 | LTH PDL-STD 50 | PADDLE LATCH 4.000 X 5.000 1/2IN STD (OPTION) | | *OTHER DOOR OPTIONS AVAILABLE - |
| 8f | 1 | LTH PDL LK-STD 50 | PADDLE LARGE SS WL 30250 (OPTION) | | CALL FACTORY FOR IDENTIFICATION |
| 8g | 1 | STK LTH 1 | STRIKE USED FOR EDGEMOUNTED DOOR LATCH | | |
| 8h | 1 | 5160 | STRIKE USED FOR LOCKING AND NON-LOCKING PADDLE LATCHES | | |
| 8i | 1 | LTH DR SPG | SPRING USED FOR EDGEMOUNT LATCH | | |
| 9 | 2 | HNG-214 | HINGE CAB DR CRM .875 | | |
| 9a | 2 | HNG 214 COVER | HINGE COVER (OPTION) | | |
| 10 | 2 | CSTR 5 R-2 | CASTER HEAVY DUTY STANDARD 5" RIGID | | |
| 11 | 2 | CSTR 5 SB-2 | CASTER HEAVY DUTY STANDARD 5" SWIVL | | |
| 12 | 1 | T-STAT H1 | THERMOSTAT CAB 90-190 36IN | | |
| 13 | 1 | BSH STRN 3 | STRAIN-RELIEF BLK 6N3-4 | | |
| 14* | 1 | CRDSET-10/115 | CORDSET 10FEET 115V (STANDARD)- REF ELEMENT AND CORD OPTIONS | | |
| 15 | 1 | MTR JK120 92 | MOTOR, 120V (VERIFY VOLTAGE) | | |
| 15a | 1 | MTR JK 220 93 | MOTOR, 220V (VERIFY VOLTAGE) | | |
| 16 | 1 | 4009 | MOTOR MOUNT BRACKET | | |
| 17 | 1 | TRM 3QC | TERMINAL BLOCK 3 QC TERM | | |
| 18 | 2 | CLP-AL1-4 | CLAMP ALUMINUM .250 WIDE | | |
| 19 | 1 | CLP-AL3-8 | CLAMP ALUMINUM .375 WIDE | | |
| 20 | 1 | CNTRL-PNL-HUMI-TEMP-AL | HUMITEMP CONTROL PANEL BLANK X 2 | | |
| 21 | 1 | SWH RCK E1 | ROCKING SWITCH NON-LT 20A,125V | | |
| 22 | 1 | KNB H6 | KNOB CONTROL ALUMINUM SKIRT SILVER | | |
| 23 | 1 | LT-PLT-A/G | LIGHT AMBER/GREEN 125V | | |
| 24 | 1 | T-METER H1 | THERMOMETER 100/220F (STANDARD) | | |
| 24a | 1 | T-METER-LENS-COVER | THERMOMETER 100/400 LENS (OPTION) | | |
| 24b | 1 | T-MTR-DIG-40F-300F | SOLAR POWER DIGITAL THERMOMETER (OPTION) | | |
| 24c | 1 | T-MTR DIG F | DIGITAL THERMOMETER (OPTION) | | |
| 25 | 1 | Z-600-1014 | HUMITEMP CONTROL ASSY. INCLUDES ITEMS 20,21,22,23,24 (STANDARD) | | |
| 25a | 1 | CNTRL HUMI-TEMP | DIGITAL HUMI-TEMP CNTRL (OPTION) | | |
| 25b | 1 | Z-600-1460 | HUMITEMP CONTROL ASSY. INCLUDES ITEMS 20,21,22,23,24,25c (OPTION) | | |
| 25c | 1 | 5561 | THERMOSTAT RETENTION STRAP HDM | | |
| 26 | 1 | 5190 | HUMITEMP TUNNEL 12 | | |
| 27 | 4 | 53114 | UHS-12 UPRIGHT .750 OFFSET | | |
| 28 | 24 | SLD UHS 245 | 245 TRAY SLIDE | | |
| 29 | 2 | HDL-12.5-AL | ALUMINUM HANDLE 12 1/2 LONG | | |
| 30 | 4 | SPCR125X.330 | SPACER PUSH HDL 1.25X5/16 | | |
| 31 | 1 | Z-700-1001 | GASKET AND HOLDER ASSY. 22,75 INCH | | |
| 32 | 2 | Z-700-1003 | GASKET AND HOLDER ASSY. 59,5 INCH | | |
| 33* | 1 | EL1250-120HT | HEAT ELEMENT 1250W115V HUMI (STANDARD) (VERIFY VOLTAGE) | | |
| 34 | 1 | Z-300-1118 | STANDARD UHS-10 DOOR ASSY. INCLUDES ITEM NO. 8, 9 | | |
| 35 | 1 | Z-200-1101 | BUMPER ASSY. FOR UHS-12 | | |