

SERVICE MANUAL

HOT DELI 3/4/5/7 MERCHANDISERS

MODELS

Full service curved and square

Full service humidified curved and square

Self service curved and square



HD 5 curved on underframe



HD 5 square on underframe

- NOTICE -

This manual is prepared for the use of trained Service Technicians and should not be used by those not properly qualified. If you have attended a training for this product, you may be qualified to perform all the procedures in this manual.

This manual is not intended to be all encompassing. If you have not attended training for this product, you should read, in its entirety, the repair procedure you wish to perform to determine if you have the necessary tools, instruments and skills required to perform the procedure. Procedures for which you do not have the necessary tools, instruments and skills should be performed by a trained technician.

Reproduction or other use of this Manual, without the express written consent of Fri-Jado, is prohibited.

EMPTY PAGE

Versions		
Version	Issue date dd/mm/yy	Remarks
06/2014	01/06/2014	Textual changes. Updating exploded views and part lists.
08/2016	01/08/2016	Curved models adapted. Square models added. Small textual changes.
04/2016	08/05/2017	Pos 1-21 added in exploded views

INDEX

Index	4
General technical data.....	6
Programming instructions.....	7
Display Self Service and Serve Over model	7
Display Humidified model.....	8
Display Humidified model (Continued).....	9
Removal and replacement of parts	10
Panels left and right back side.....	10
Fuse and fuse holder	10
Contactor.....	11
Water level control, electronic.....	11
Blower, left hand side.....	11
Heating element, left hand side.....	12
PT 1000 sensor.....	12
Water level sensor	13
Ring core transformer 208-230V.....	13
Transformer 230-12V	14
Heating element water tray.....	14
I/O board	15
Display board	15
Keypad.....	16
Thermostat Eliwell IC 902/h ntc	17
Sensor thermostat.....	18
Tumble switch light and heating	18
Blower right hand side	19
Heating element right hand side.....	19
Curved glass	20
Front grip magnets.....	20
Curved glass (alternative procedure when torques key is not available).....	21
Gas spring.....	22
Lamp holder	22
Ceramic element.....	23
Blower in top	24
Sliding profile door in top.....	24
Protection profile in front (bumper)	27
Side plate left and right, front side.....	27
Drain.....	27
Electrical tests and service procedures.....	28
PT 1000 sensor test	28
(humidified version)	28
Heating element test.....	28
PTC 1K sensor test	28
(full & self service version).....	28
Adjusting Eliwell IC 902/H NTC thermostat.....	29
Control location full serve and self serve	31
Control panel full serve humidified.....	31

Troubleshooting	32
Troubleshooting Hot Deli 3/4/5/7 full serve	32
Troubleshooting Hot Deli 3/4/5/7 humidified	33
Exploded views & partlists	34
Hot Deli 3-4-5 Full Service assembly drawing (till Nov. 2009)	34
Hot Deli 3-4-5 Full Service components drawing (till Nov. 2009).....	35
Hot Deli 3-4-5 Humidified Assembly drawing (till serial.nr. 100077804).....	40
Hot Deli 3-4-5 Humidified Components drawing (till serial nr. 100077804)	41
Hot Deli 3-4-5 Humidified Assembly drawing.....	46
Hot Deli 3-4-5 Humidified Components drawing	47
Hot Deli 3-4-5 Self Service Assembly drawing (till serial nr 100077804)	52
Hot Deli 3-4-5 self Service components drawing (till serial nr.100077804)	53
Hot Deli 3-4-5 Self Service Assembly drawing	56
Hot Deli 3-4-5 self Service components drawing	57
Hot Deli 3-4-5 full service square assembly drawing.....	60
Hot Deli 3-4-5 full service square components drawing	61
Hot Deli 3-4-5 full service humidified square assembly drawing	66
Hot Deli 3-4-5 full service humidified square components drawing.....	67
Hot Deli 3-4-5 self service square assembly drawing	72
Hot Deli 3-4-5 Self service square components drawing.....	73
Electrical diagrams	76
Circuit diagram HD 3 Full & Self service	76
Wiring diagram HD 3 Full & Self service.....	77
Circuit diagram HD 3 Humidified	78
Wiring diagram HD 3 Humidified.....	79
Circuit diagram HD 4 Full & Self service	80
Wiring diagram HD 4 Full & Self service.....	81
Circuit diagram HD 4 Humidified	82
Wiring diagram HD 4 Humidified.....	83
Circuit diagram HD 5 Full & Self service	84
Wiring diagram HD 5 Full & Self service.....	85
Circuit diagram HD 5 Humidified	86
Wiring diagram HD 5 Humidified.....	87
Circuit diagram HD 7 Full & Self service	88
Circuit diagram HD 7 Humidified	89
Wiring diagram HD 7 Humidified.....	90

GENERAL TECHNICAL DATA





This manual covers the Hot Deli Merchandisers in the models curved and square. The Merchandisers come in 4 sizes to build-in into an existing counter. Merchandisers will also be delivered on a underframe.

The Merchandisers come in 3 models.

- Full service.
- Full service with humidification.
- Self service.

All of the information, illustrations and specifications contained in this manual are based on the latest product information available at the time of printing.

TECHNICAL DATA

Type	HD 3	HD 4	HD 5	HD 7
Power (W) Full service humidified	4600	4900	5100	8600
Power (W) Full Service	3700	4000	4200	7700
Power (W) Self Service	3700	4000	4200	-
Fuses needed with power connection 208 V, 3~60 Hz (3 phases without zero)	3x 20 A	3x 20 A	3x 20 A	3x 30 A
Fuses needed with power connection 208 V, 1N~60 Hz (1 phase with zero)	-	-	-	-
Standard plug from factory	NEMA 15-20P 	NEMA 15-20P 	NEMA 15-20P 	NEMA 15-30P 
Net weight full service, humidified (lbs)	347	463	530	600
Net weight full service (lbs)	313	430	496	567
Net weight self service (lbs)	300	415	480	-
Gross weight full service, humidified (lbs)	468	606	695	770
Gross weight full service (lbs)	434	573	662	738
Gross weight self service (lbs)	420	558	644	-
Height (inches)	37 7/8"	37 7/8"	37 7/8"	37 7/8"
Width (inches)	42 3/4"	55 3/4"	69"	98 5/8"
Depth (inches)	41 3/4"	41 3/4"	41 3/4"	41 3/4"

Tools

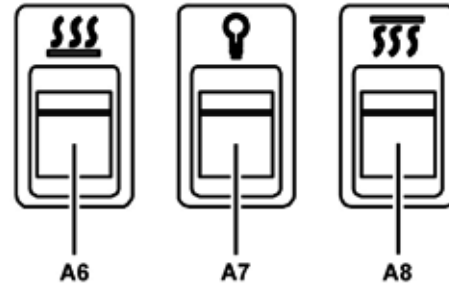
- Standard set of tools.
- Metric wrenches, sockets and hex socket key wrenches.
- VOM with AC current tester (any VOM with a sensitivity of at least 20,000 ohms per volt can be used).
- Temperature tester.
- Insulation value tester (Megger).
- Field Service Grounding Kit.

PROGRAMMING INSTRUCTIONS

DISPLAY SELF SERVICE AND SERVE OVER MODEL

Switch on

1. Switch on the heater with switch A6.
2. Switch on the lighting with switch A7.
3. Also switch on the IR emitters with switch A8 if required.



Switch off

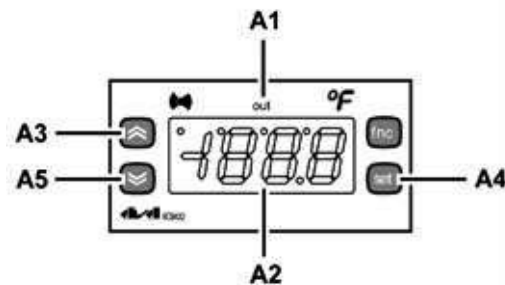
1. Switch off the IR emitter with switch A8.
2. Switch off the lighting with switch A7.
3. Switch off the heating with switch A6.

Check set temperature

The temperature in the warmer is shown on display A2 during use.

1. Press and quickly release key A4 two times.

The set temperature will be shown on the display. The measured temperature in the warmer will again be shown after 15 seconds.



Set the temperature

1. Press and quickly release key A4 two times.

The set value will be shown on the display.

1. Set the required temperature using the up (A3) and down (A5) keys.
2. Press key A4 to save.

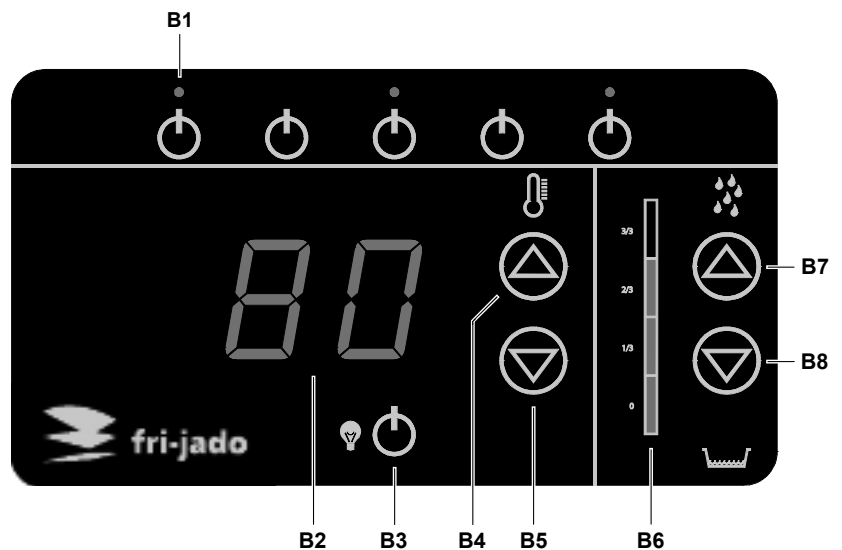
DISPLAY HUMIDIFIED MODEL

Switch on

1. Keep keys B3 and B4 pressed simultaneously for 2 seconds.
2. Switch on the lighting with key B3.
3. Switch on the required IR emitters with keys B1.

Switch off

1. Keep keys B3 and B5 pressed simultaneously for 2 seconds.



Check set temperature

The temperature in the warmer is shown on the display B2 during use.

1. Press key B4 or B5 for a short time.

The set temperature will be shown on the display. The measured temperature in the warmer will be shown again after 10 seconds.

Set the temperature

1. Press key B4 or B5 for a short time. The set value will be shown on the display with a dot behind the value.
2. Wait 5 seconds; you cannot immediately change the setting.
3. Set the required temperature with keys B4 and B5.
4. Wait until the display jumps back to the measured temperature in the warmer. The adjustment has now been saved.

Topping up the steam tray

Note: the front filler unit can become hot

You hear a signal as soon as the steam tray requires topping up. Humidification will be automatically switched off.

1. Press key B7 or B8 to stop the beep signal.
2. Fill the steam tray with 1.7 gallon (approx. 6,5 L.) with hot water to prevent large temperature differences.

Humidification will restart automatically based on the previously set adjustment after topping up. You do not have to set it again.

DISPLAY HUMIDIFIED MODEL (CONTINUED)

Set the humidifier

Water consumption will amount to approx. 0.3 gallon per hour in relation to the maximum setting. Indication bar B6 indicates the humidification degree.

Indication bar B6 displays the humidification degree.

- 3/3, humidification 100%.
- 2/3, humidification 67%.
- 1/3, humidification 33%.
- 0, humidification switched off. The bottom segment of the indication bar will flash every 10 seconds.

1. Set the required humidification level with the keys B7 and B8.

Set the IR emitters

1. Press keys B1 for a short time to switch on or off the related IR emitter. The indication light on top of the key will light up if the emitter is switched on.

Set the Offset

With the offset you only change the temperature indication on the display. The setpoint will not be changed.

1. Press both temperature keys (B4 and B5) for 5 seconds.
2. The offset temperature now appears on the screen with a flashing dot behind the value.
3. Use the temperature keys B4 and B5 to change the offset temperature.
4. After 5 seconds of no keys being pressed the system will return to normal operation.

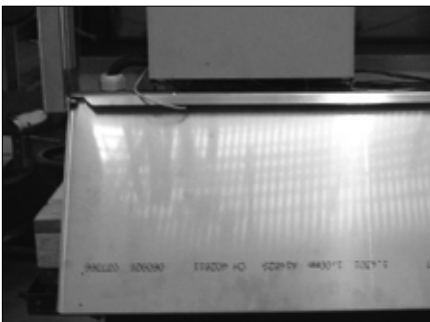
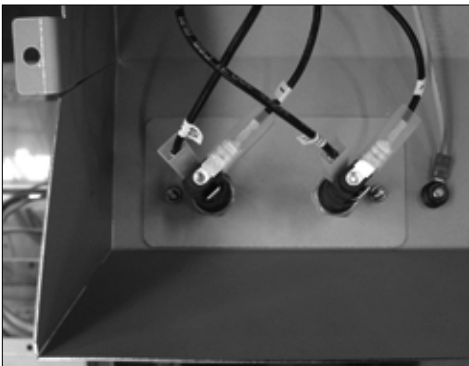
REMOVAL AND REPLACEMENT OF PARTS

WARNING: Disconnect the electrical power to the machine at the main circuit box. Place a tag on the circuit box indicating the circuit is being serviced.

PANELS LEFT AND RIGHT BACK SIDE


1. Remove the socket head screws that secure the panel to the frame.
2. Turn panel towards yourself.
3. Reverse the procedure to install.

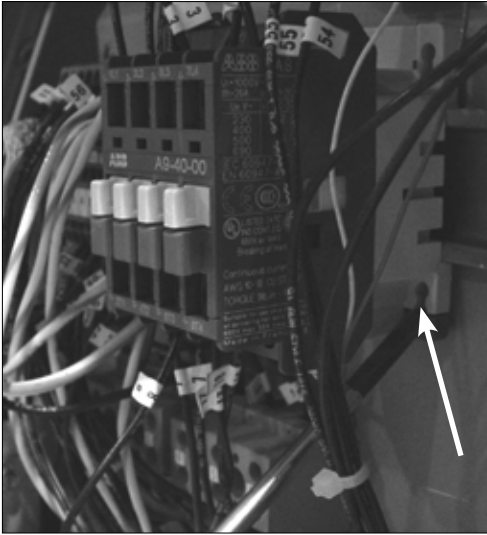
Note: The panels can be lifted out from the hinges. First lift out the hinge on the middle panel.


FUSE AND FUSE HOLDER


1. Remove the left side panel according prior procedure.
2. Remove the screws that secure the cover plate and turn cover plate towards yourself.
3. Disconnect the wiring from the fuse housing.
4. Remove the flat nut that secures the housing of the fuse and remove the housing.
5. Reverse the procedure to install.

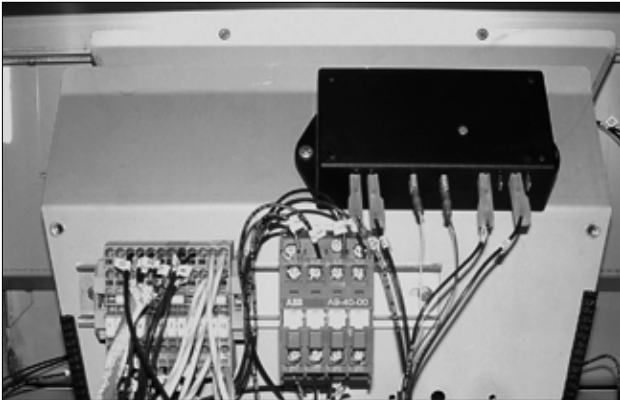


CONTACTOR



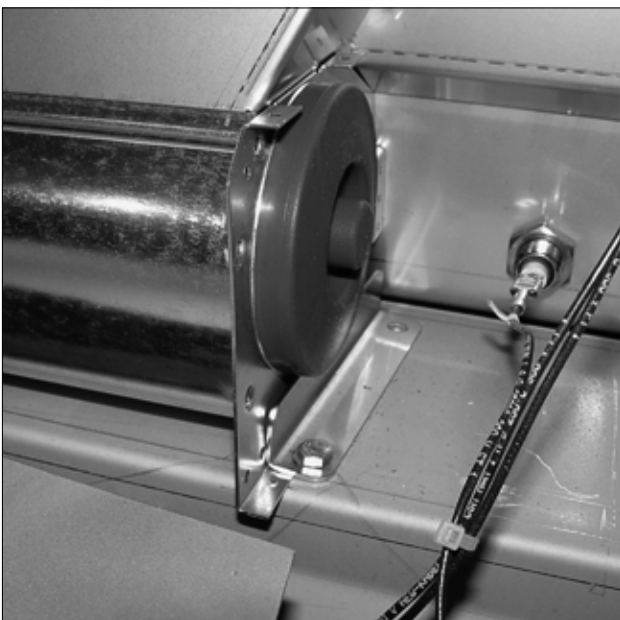
1. Remove the left side panel and the cover plate according prior procedure.
2. Disconnect the lead wires to the contactor.
3. Push the locking tab down with a screw driver (see arrow) and lift out to remove the contactor from the mounting bracket.
4. Reverse the procedure to install.

WATER LEVEL CONTROL, ELECTRONIC



1. Remove the left side panel and the cover plate according prior procedure.
2. Disconnect the wiring of the electronic control.
3. Remove the 2 screws that secure the control and remove the control.
4. Reverse the procedure to install.

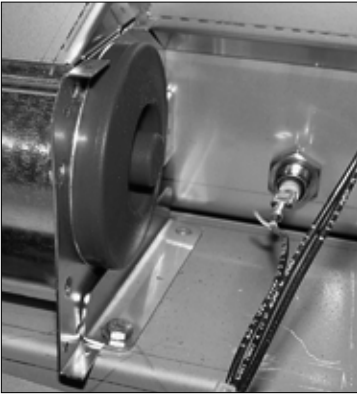
BLOWER, LEFT HAND SIDE



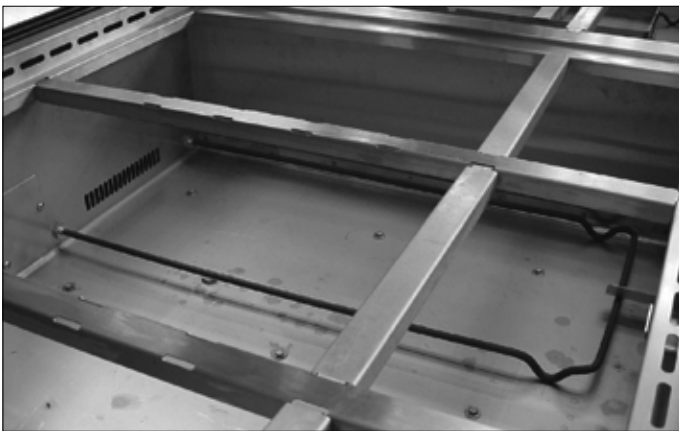
1. Remove the left side panel and the cover plate according prior procedure.
2. Remove the bolt that secures the electric panel and remove this panel.
3. Cut the wiring of the blower.
4. Remove the bolts that secure the clamping profiles on the blower and remove the profiles.
5. Remove the blower by sliding this towards yourself.
6. Reverse the procedure to install.

Note: you have to connect the wiring again with a butt splice.

HEATING ELEMENT, LEFT HAND SIDE



1. Remove the left side panel and the cover plate according prior procedure.
2. Disconnect the wiring from the element.
3. Remove the pans and frame out of the cabinet.
4. Remove the 2 nuts and rings that secure the element and remove the element.
5. Reverse the procedure to install.

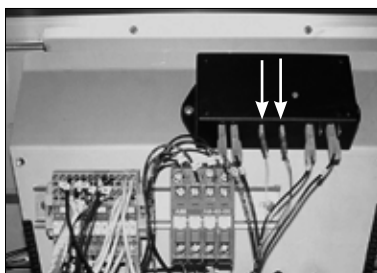
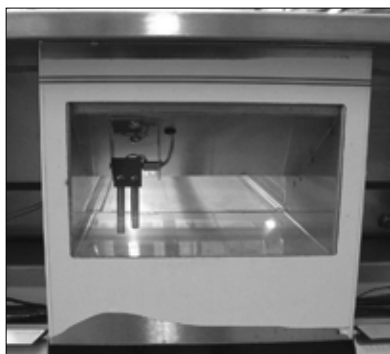


PT 1000 SENSOR



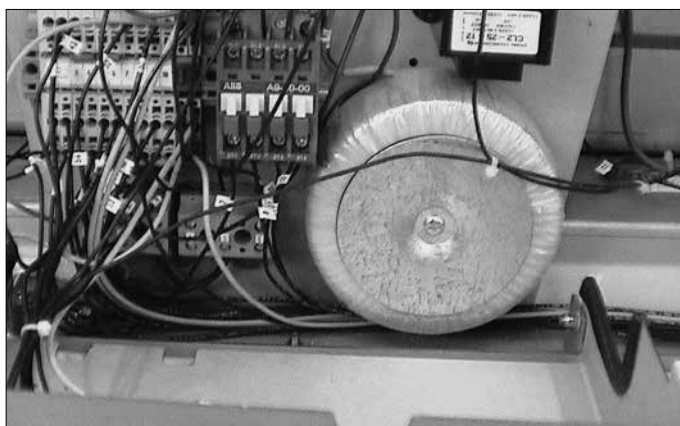
1. Remove the left side panel and the cover plate according prior procedure.
2. Remove the bolt that secures the sensor and remove the sensor.
3. Disconnect the wiring.
4. Reverse the procedure to install.

WATER LEVEL SENSOR



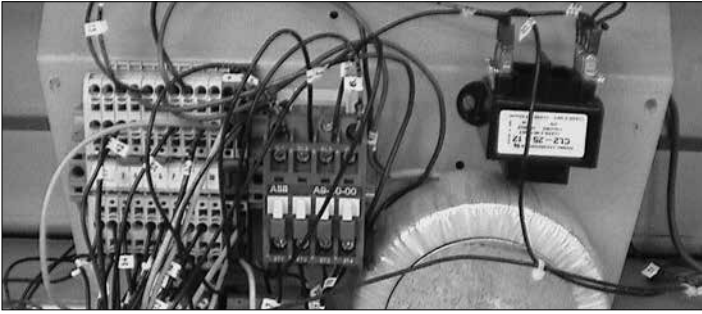
1. Remove the left side panel and the cover plate according prior procedure.
2. Remove the water tray door and the water tray.
3. Disconnect the wiring of the sensor on the electronic water level control (2 middle pins).
4. Remove the 2 nuts and socket screws that secure the sensor bracket and remove the sensor.
5. Reverse the procedure to install.

RING CORE TRANSFORMER 208-230V



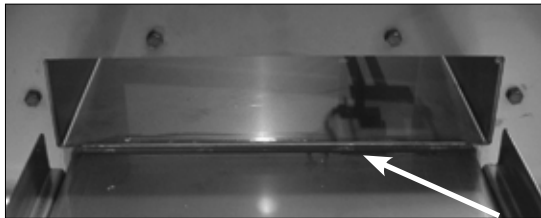
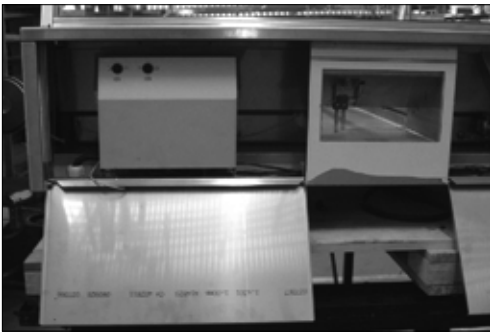
1. Remove the left side panel and the cover plate according prior procedure.
2. Remove the wiring of the transformer.
3. Remove the screw that secures the transformer and remove the transformer.
4. Reverse the procedure to install.

TRANSFORMER 230-12V



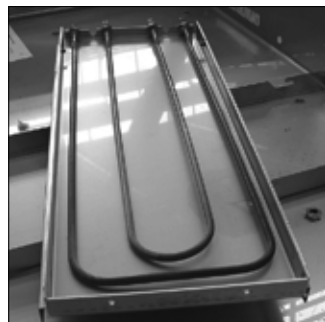
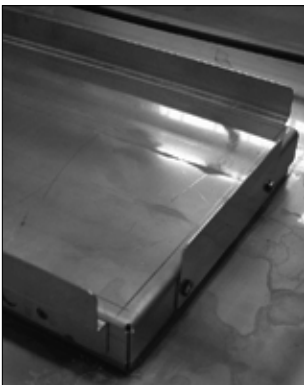
1. Remove the left side panel and the cover plate according prior procedure.
2. Remove the wiring of the transformer.
3. Remove the screw that secures the transformer and remove the transformer.
4. Reverse the procedure to install.

HEATING ELEMENT WATER TRAY

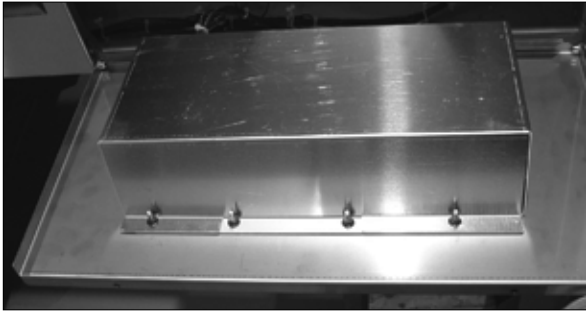


1. Remove the water tray door, the water tray and the pans and frame inside the cabinet.
2. Remove the left and right hand panel on the backside according prior procedures.
3. Disconnect the wiring from the elements.
4. Cut the sealant between cover housing and the inside back plate in the cabinet.
5. Remove the 2 bolts that secure the cover housing of the elements.
6. Slide the cover housing towards customer side and lift it out.
7. Remove the nuts and rings that secure the heating elements and remove the element(s).
8. Reverse the procedure to install.

Note: Apply sealant between cover housing and the inside back plate in the cabinet.

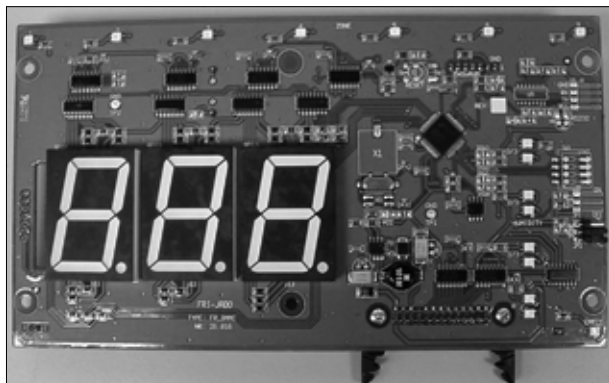
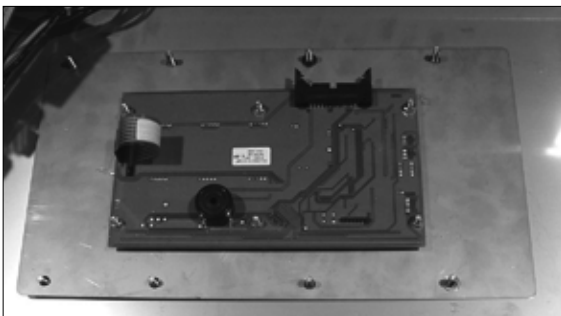
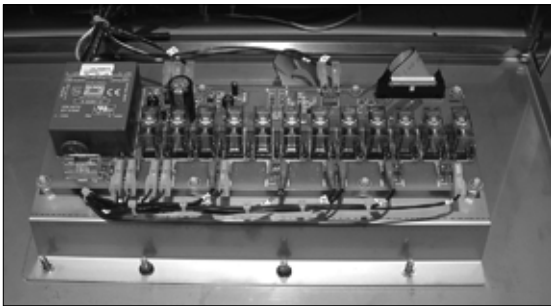


I/O BOARD



1. Remove the right side panel according prior procedure.
2. Remove the nuts that secure the cover plate and remove the cover plate.
3. Disconnect all wiring and the flat cable.
4. Remove the board from the clips by squeezing the clips together.
5. Reverse the procedure to install.

DISPLAY BOARD



1. Remove the right side panel according prior procedure.
2. Remove the nuts that secure the cover plate and remove this plate.
3. Remove the nuts that secure the mounting plate and remove this plate.
4. Disconnect the grey flat cable and the flat cable from the keypad.
5. Remove the nuts that secure the board and remove the board.
6. Reverse the procedure to install.

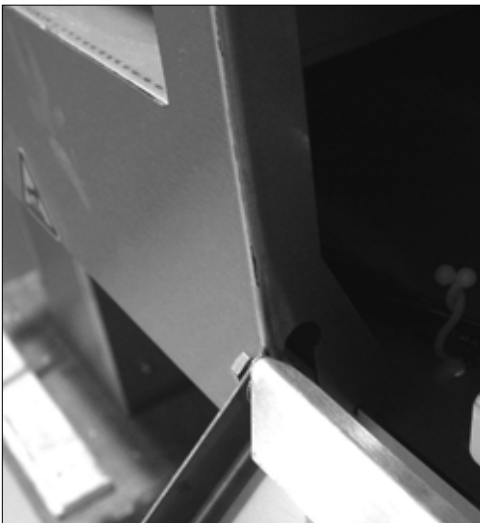
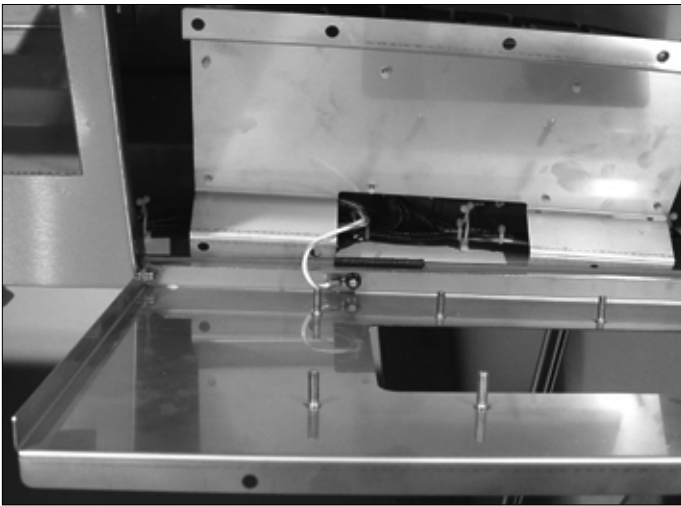
Note: When installing a new board, ensure that the jumper on the new board is set the same as on the old board (°F).

jumper

KEYPAD

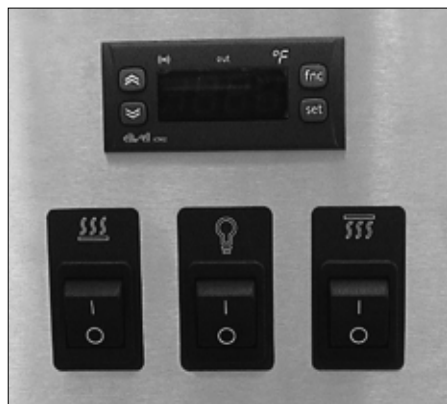


1. Remove the right side panel according prior procedure.
2. Remove the nuts that secure the cover plate and remove this plate.
3. Remove the nuts that secure the mounting plate and remove this plate.
4. Remove the grey flat cable and the flat cable from the keypad.
5. Remove the nuts that secure the display board and remove the board.
6. Remove the nut that secures the earth cable on the panel and remove the cable.
7. Remove the back panel by lifting it out of the hinges.
8. Remove the nut that secures the back plate of the keypad and remove this plate.
9. Remove the keypad and clean the surface with a degreaser.
10. Fasten the back plate back on the panel and apply the keypad.
11. Apply acid free sealant around the green flat cable.
12. Reverse the procedure to install.

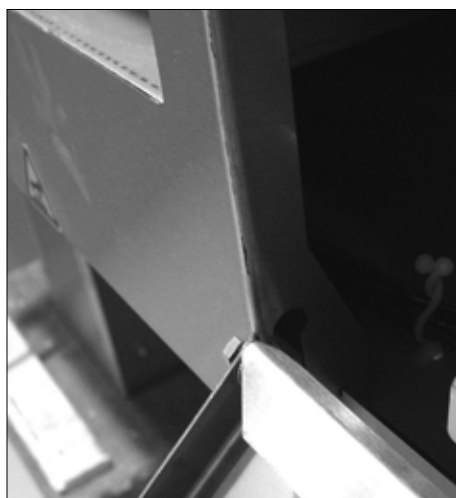


Note: It is also possible to order a complete back plate with keypad.

THERMOSTAT ELIWELL IC 902/H NTC



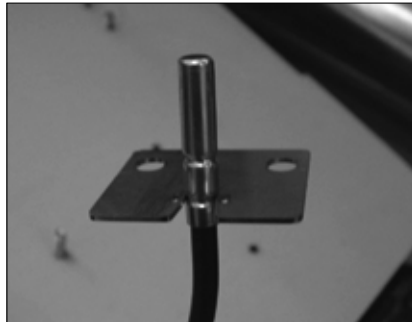
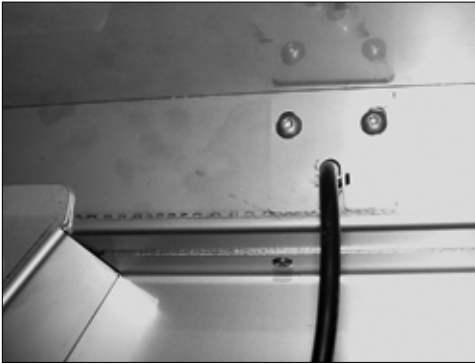
1. Remove the left and right hand panel according prior procedures.
2. Remove the left and right back panel by lifting them out of the hinges.
3. Remove the socket head screws that secure the middle panel and turn the panel towards yourself.
4. Loosen the blocking clips on the sides of the thermostat and remove the thermostat.
5. Disconnect the wiring.
6. Reverse the procedure to install.



Note: Set all parameters in the new thermostat.



SENSOR THERMOSTAT



1. Remove the middle panel according prior procedures.
2. Disconnect the wiring of the sensor on the thermostat.
3. Remove the socket head screws that secure the sensor holder and remove the holder.
4. Remove sensor from holder.
5. Reverse the procedure to install.

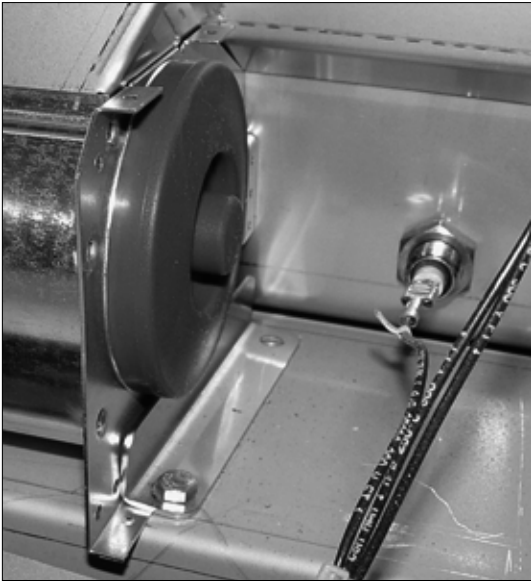
Note: The place of the sensor is the same for the full and self service models.

TUMBLE SWITCH LIGHT AND HEATING



1. Remove the middle panel according prior procedures.
2. Disconnect the wiring.
3. Remove the switch by pushing the clamps on both sides.
4. Reverse the procedure to install.

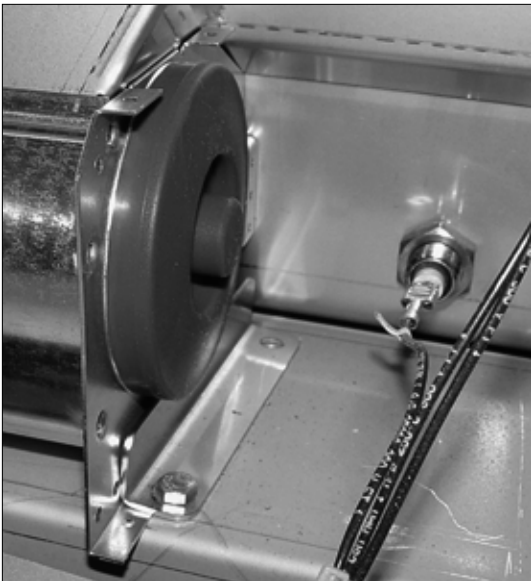
BLOWER RIGHT HAND SIDE



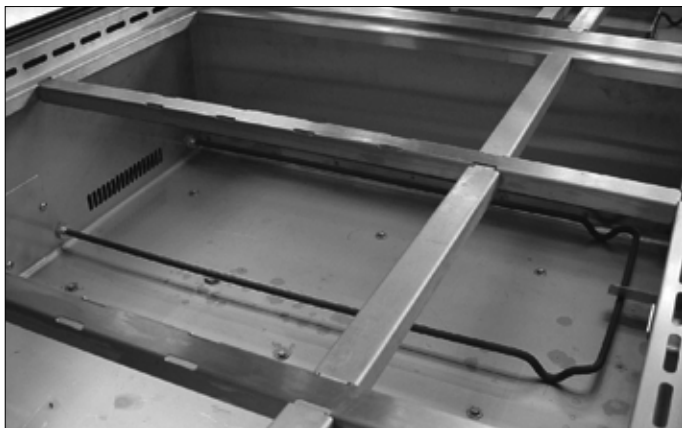
1. Remove the right side panel according prior procedure.
2. Cut the wiring of the blower.
3. Remove the bolts that secure the clamping profiles on the blower and remove the profiles.
4. Remove the blower by sliding this towards yourself.
5. Reverse the procedure to install.

Note: you have to connect the wiring again with a butt splice.

HEATING ELEMENT RIGHT HAND SIDE



1. Remove the right side panel according prior procedure.
2. Disconnect the wiring from the element.
3. Remove the pans and frame out of the cabinet.
4. Remove the 2 nuts and rings that secure the element and remove the element.
5. Reverse the procedure to install.



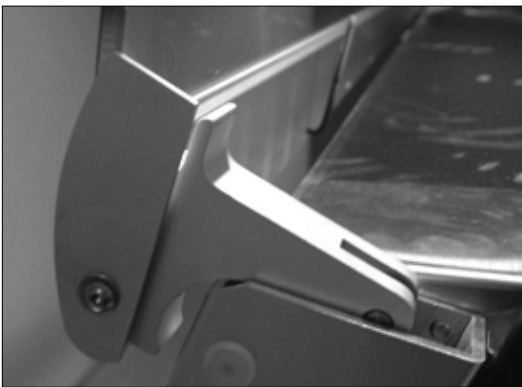
FRONT GRIP MAGNETS



1. Remove the screw securing the side plate of the grip.
2. Remove the magnet holder by sliding it outwards, a controlled knock with a hammer might be necessary to remove the magnet holder.
3. Reverse procedure to install

Note: *the appliance has two separate sets of magnet holders, another set is located inside the front profile.*

CURVED GLASS



1. Turn the curved glass to the top position.
2. Remove the cover plates on the mounting profile (if necessary).
3. Loosen the adjusting screws that secure the glass with the special torques key TX15.
4. Remove the curved glass.
5. Remove the frontgrip magnets according to prior procedure.
6. Place the new glass with the plastic protection profile.
7. Reverse the procedure to install.

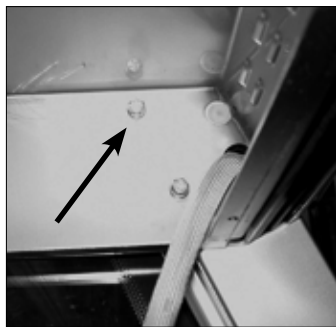
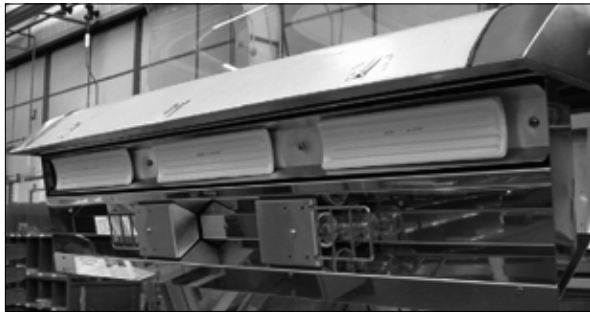
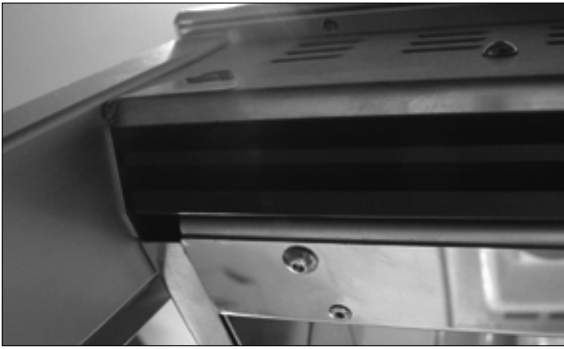


Note 1: *The cover plates are fixed with high temperature resistant sealant.*

Note 2: *Special torques key (TX15) is supplied with the delivery of a new curved glass.*



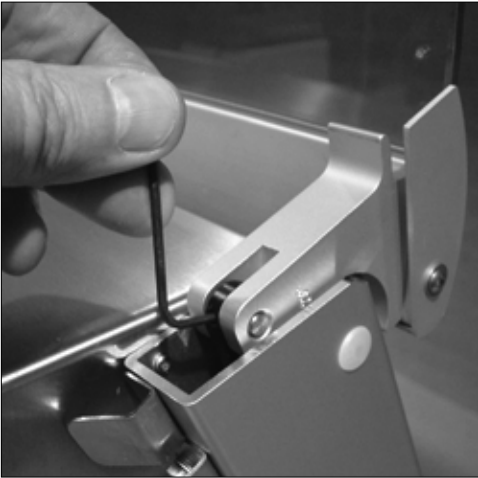
CURVED GLASS (ALTERNATIVE PROCEDURE WHEN TORQUES KEY IS NOT AVAILABLE)



1. Turn curved glass to top position.
2. Remove the socket head screws that secure the reflector and turn the reflector downwards.
3. Remove on left and right top side the upper bolts that secure the light fixture to the console (see arrow).
4. Loosen the lower bolts on left and right top side.
5. Turn the light fixture downwards, to create extra space for a regular allen key or torques key.
6. Loosen the adjusting screws that secure the glass.
7. Remove the curved glass.
8. Place the new glass with the plastic protection profile.
9. Reverse the procedure to install.

Note: When replacing the curved glass do not forget to transfer the frontgrip magnets.

GAS SPRING

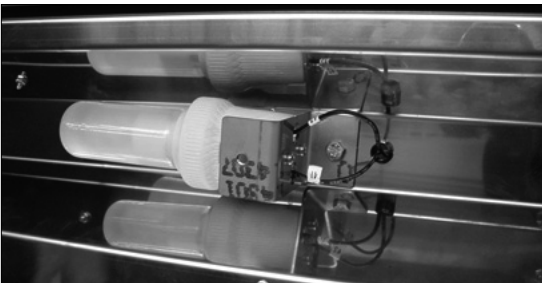


1. Turn the curved glass to the top position.
2. Loosen the adjusting screw on the gas spring.
3. Remove the pin out of the gas spring. Be aware of supporting the glass.
4. Remove the gas spring.
5. Reverse the procedure to install.

LAMP HOLDER



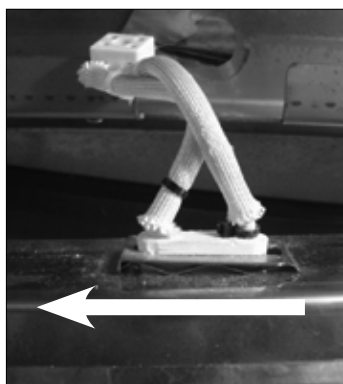
1. Remove the socket head screws that secure the reflector and turn the reflector downwards.
2. Remove the bolt that secures the protection of the lamp and remove the protection.
3. Remove the bolt and nut that secures the bracket on the lamp holder and remove the bracket.
4. Disconnect the wiring.
5. Remove the screws that secure the lamp holder and remove the holder.
6. Reverse the procedure to install.



CERAMIC ELEMENT



1. Remove the socket head screws that secure the reflector and turn the reflector downwards.
2. Remove the wiring from the element.
3. Remove the socket head screws and nuts that secure the mounting plate of the elements and lower this plate.
4. Remove the ceramic element from the plate by sliding off the clip.
5. Reverse the procedure to install.



BLOWER IN TOP



1. Remove the socket screws that secure the reflector and turn the reflector downwards.
2. Slide the gasket from the wiring and cut the wiring of the blower.
3. Remove the 4 socket screws that secure the blower and remove the blower.
4. Reverse the procedure to install.



Note1: You have to tap 4x M5 thread in the new blower housing.

Note2: You have to connect the wiring again with a butt splice.



SLIDING PROFILE DOOR IN TOP



1. Remove the sliding doors.
2. Remove the socket head screws that secure the clamping profile and remove this profile together with the profile of the sliding door.
3. Reverse the procedure to install.

GAS SPRING SQUARE MODEL



1. Turn the front glass to the top position.
2. Remove the screw on the bottom side of the gas spring.
3. Remove the pin out of the gas spring. Be aware of supporting the glass.
4. Loosen the adjusting screw on the top side of the gas spring.
5. Remove the pin out of the gas spring.
6. Remove the gas spring.
7. Reverse the procedure to install.



FRONT GLASS DOOR SQUARE MODEL



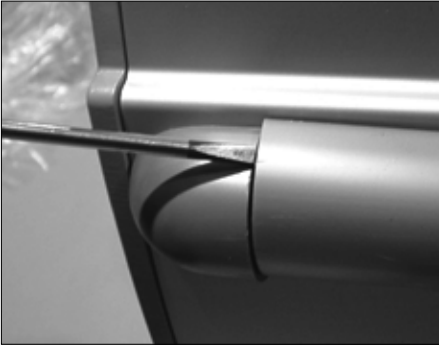
1. Turn the front glass to the top position.
2. Remove the screw on the bottom side of the gas spring.
3. Remove the pin out of the gas spring. Be aware of supporting the glass.
4. Remove the 2 screws on the top side and remove the gas spring.
5. Also remove the gas spring on the other side.
6. Take out the front glass and place this on a table.
7. Loosen the screws that secure the front glass and remove the glass.
8. Reverse the procedure to install.

Note 1: It is advisable to replace the glass door with the assist of a second person.

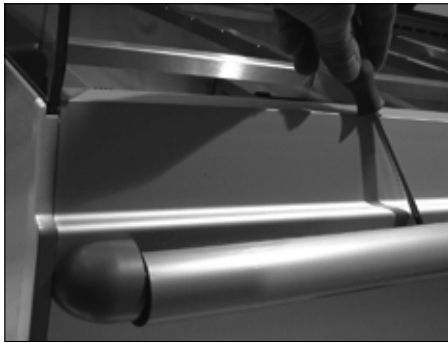
Note 2: Be sure that the black gasket is between the glass and aluminium profile.



PROTECTION PROFILE IN FRONT (BUMPER)



1. Remove the profile with a screw driver. Slide screw driver over the length to remove the profile.
2. Install new profile.

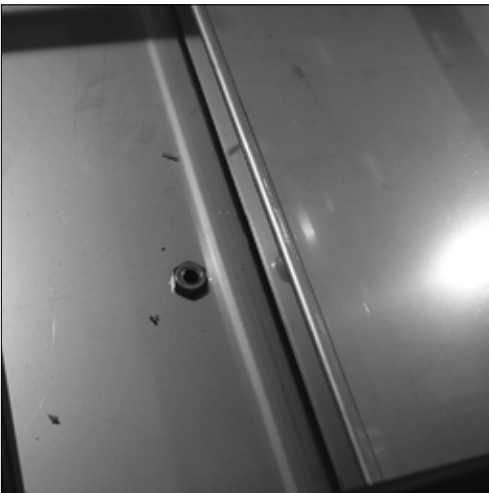


SIDE PLATE LEFT AND RIGHT, FRONT SIDE



1. Remove the side glass.
2. Loosen the bolts on the bottom side that secure the side plate and remove this plate.
3. Remove the bolts and rivets on the front bottom side that secure the aluminium front and remove this front.
4. Remove the side plate.
5. Reverse the procedure to install.

DRAIN



1. Remove the pans and frame out of the cabinet.
2. Remove the nut inside the cabinet that secures the drain and remove the drain.
3. Reverse the procedure to install.

ELECTRICAL TESTS AND SERVICE PROCEDURES

WARNING: Disconnect the electrical power to the machine at the main circuit box. Place a tag on the circuit box indicating the circuit is being serviced.

**PT 1000 SENSOR TEST
(HUMIDIFIED VERSION)**
**PTC 1K SENSOR TEST
(FULL & SELF SERVICE VERSION)**

1. Remove the right side panel according prior procedure.
2. Remove the wiring from the sensor.
3. Connect a temperature sensor to the probe for comparison.
4. Test the probe with an Ohmmeter.

Temperature		Resistance Ω
$^{\circ}\text{F}$	$^{\circ}\text{C}$	± 5 Ohms
60	16	1062
70	21	1082
80	27	1106
90	32	1124
100	38	1148
125	52	1202
150	65	1252
200	94	1362
250	121	1464
350	177	1674

Temperature		Resistance
$^{\circ}\text{F}$	$^{\circ}\text{C}$	± 10 Ohms
60	16	930
70	21	970
80	27	1016
90	32	1056
100	38	1107
125	52	1227
150	65	1347
200	94	1636
250	121	1935

HEATING ELEMENT TEST

Note: When testing the resistance of the element remove the wiring.

Type	Wattage/Voltage	Resistance Ω -5% + 10%	Current A
HD All models	1500 / 230	35.3	6.5
	1500 / 208	28.8	7.2
HD Humidified	600 / 230	88.5	2.6
	600 / 208	71.5	2.9
	300 / 230	177.0	1.3
	300 / 208	144.5	1.4
HD All models	150 / 230	352.0	0.6

ADJUSTING ELIWELL IC 902/H NTC THERMOSTAT

In order to adjust the thermostat, first remove the thermostat according prior procedure.

Changing set point

1. Press set key. In display "set" appears.
2. Press set key again. Set point appears in display.
3. Change value with up or down key.
4. Press set key to confirm.
5. Leave menu by pressing fnc key 2x.



When no key is pressed after last confirmation, system goes back to normal operation mode after 15 seconds.

Programming menu

The programming menu consists of 4 folders: CP – diS – CnF – Fpr. Each folder contains level 1 parameters. To enter these folders proceed as following:

1. Press set key for 5 seconds. In display "CP" appears.
2. Press up or down key to scroll through the folders.
3. To enter the folder press set key. In display the first parameter appears.

Setting internal parameters

1. Press set key for 5 seconds. In display "CP" appears.
2. Press up or down key to go to the desired folder.
3. Press set key. In display the first parameter of this folder appears.
4. Press set key to read out value.
5. Change value with up or down key.
6. Press set key to confirm.
7. Press up key for next parameter and follow instructions 4 to 6.
8. Press fnc key to return to the folder menu and follow instructions 2 to 6.
8. Leave menu by pressing fnc key 2x.

When no key is pressed after last confirmation, system goes back to normal operation mode after 15 seconds.

Replacing of thermostat

When you install a new thermostat, then always change parameter HC first to H. Otherwise some other parameters cannot be changed to the desired value.

Error message on display

E1: Temperature sensor broken or wiring problem sensor.

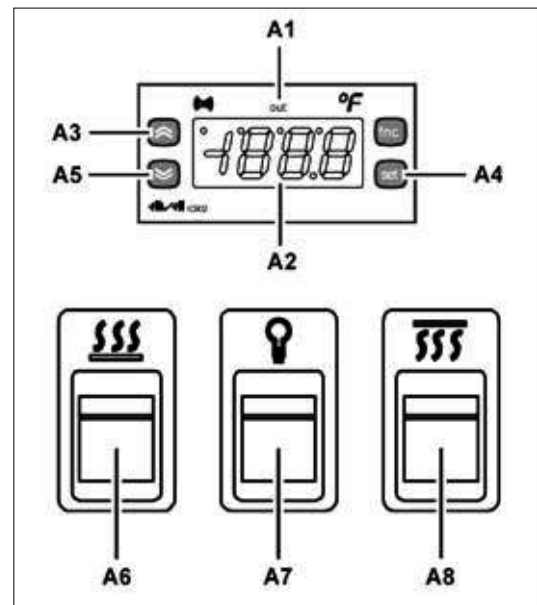
Parameters Eliwell thermostat

Folder	Parameter	Description	HD 3-4-5-7 full service HD 3-4-5 self service	HD 3-4-5- self service (till 31-08-2008)
CP		Setpoint °F	176	165
	diF	Switching differential °F	1	1
	HSE	Maximum setpoint °F	210	194
	LSE	Minimum setpoint °F	32	32
	HC	Function: Heating/Cooling H / C	H	H
	Ont	Regulator activation time	0	0
	Oft	Regulator disabled state time	1	1
	dOn	Delay time regulator relay	0	0
	dOF	Delay after switch-off	0	0
	dbi	Delay between switch-ons	0	0
	OdO	Delay time outputs	0	0
dis	LOC	Keyboard locking	n	n
	PA1	Password 1	0	0
	ndt	Number display type	-	-
	CA1	Off-set sensor 1 (-12...12) °F	0	12
	dro	Function: °F 0/1	1	1
CnF	H00	Probe type 0=PTC 1= NTC	1	1
	rEL	Device version (read only)	-	-
	tAb	Reserved (read only)	-	-
Fpr	UL	Upload	-	-
	dL	download	-	-

CONTROL LOCATION FULL SERVE AND SELF SERVE

- A1 Indicator ON
- A2 Display temperature
- A3 UP key
- A4 SET key
- A5 DOWN key
- A6 Heating switch
- A7 Lighting switch
- A8 IR emitter switch

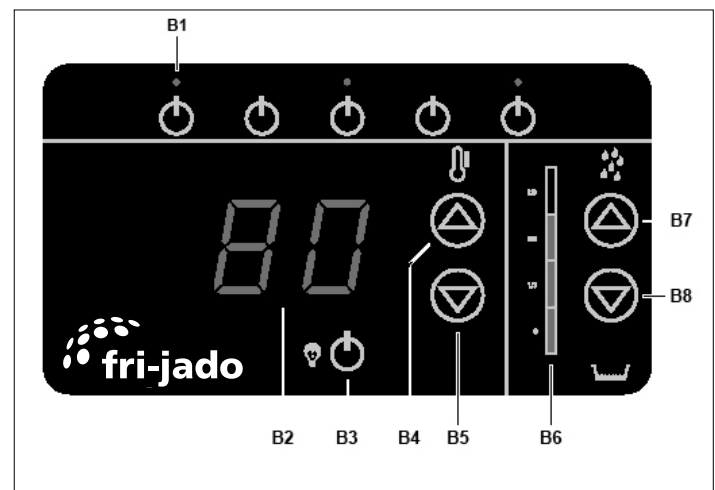
If the elements are switched on, the indicator lamp A1 will go on.



CONTROL PANEL FULL SERVE HUMIDIFIED

- B1 IR emitter keys
- B2 Temperature reading
- B3 Lighting key
- B4 Increase temperature
- B5 Reduce temperature
- B6 Humidification level reading
- B7 Increase humidification
- B8 Reduce humidification

The B1 keys switch the IR emitters in the light cover individually. The sequence of the keys is the same as the sequence of the emitters seen from the operating side of the warmer.



Error codes on display:

- E1: PT Sensor shows open connection
- E2: PT Sensor short circuit.

When reporting error codes E1 and E2 the unit is switched in stand-by mode and cannot be used until the problem is resolved.

TROUBLESHOOTING

TROUBLESHOOTING HOT DELI 3/4/5/7 FULL SERVE & SELF SERVE

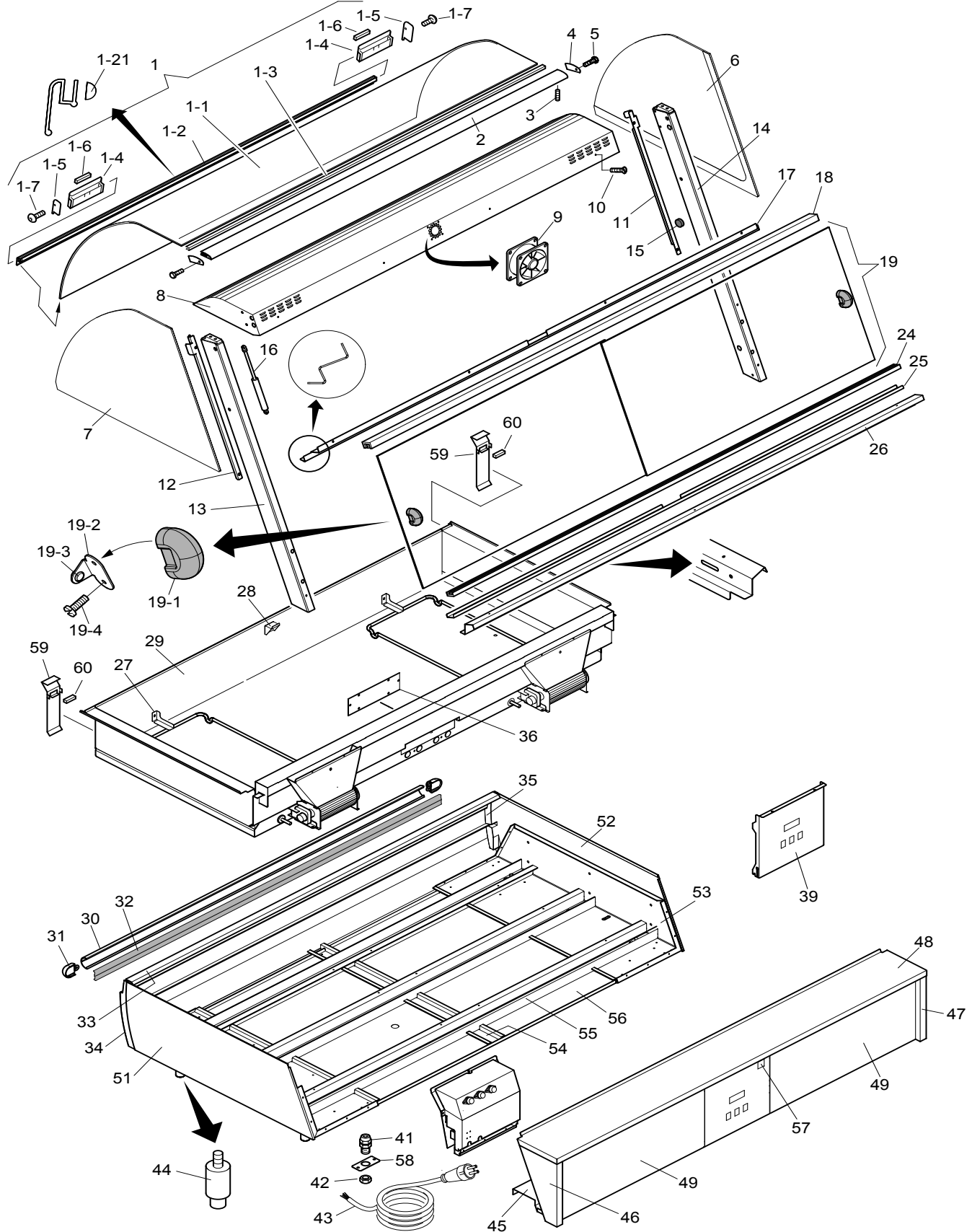
Symptom	Possible causes
No power to warmer controls.	<ol style="list-style-type: none"> 1. Main breaker open. 2. Fuse F1 burned. 3. Tumble switch malfunction. 4. Wiring loose.
No indication on electronic thermostat.	<ol style="list-style-type: none"> 1. Tumble switch heating malfunction. 2. Fuse F3 burned. 3. Electronic thermostat malfunction. 4. Ring core transformer malfunction. 5. Transformer 230-12 V malfunction. 6. Wiring loose.
Display does not reach desired temperature.	<ol style="list-style-type: none"> 1. Incorrect line voltage. 2. PTC 1K sensor malfunction. 3. Heater(s) inoperative. 4. Blower motor(s) inoperative. 5. Contactor inoperative. 6. Check parameters electronic thermostat.
Display temperature gets too high.	<ol style="list-style-type: none"> 1. PTC 1K sensor malfunction. 2. Contactor inoperative.
Ceramic element(s) do not work.	<ol style="list-style-type: none"> 1. Tumble switch ceramics malfunction. 2. Ceramic element(s) inoperative. 3. Wiring loose.
No lighting.	<ol style="list-style-type: none"> 1. Incorrect line voltage. 2. Tumble switch lighting malfunction. 3. Wiring loose. 4. Bad contact on lamp holders.

TROUBLESHOOTING HOT DELI 3/4/5/7 HUMIDIFIED

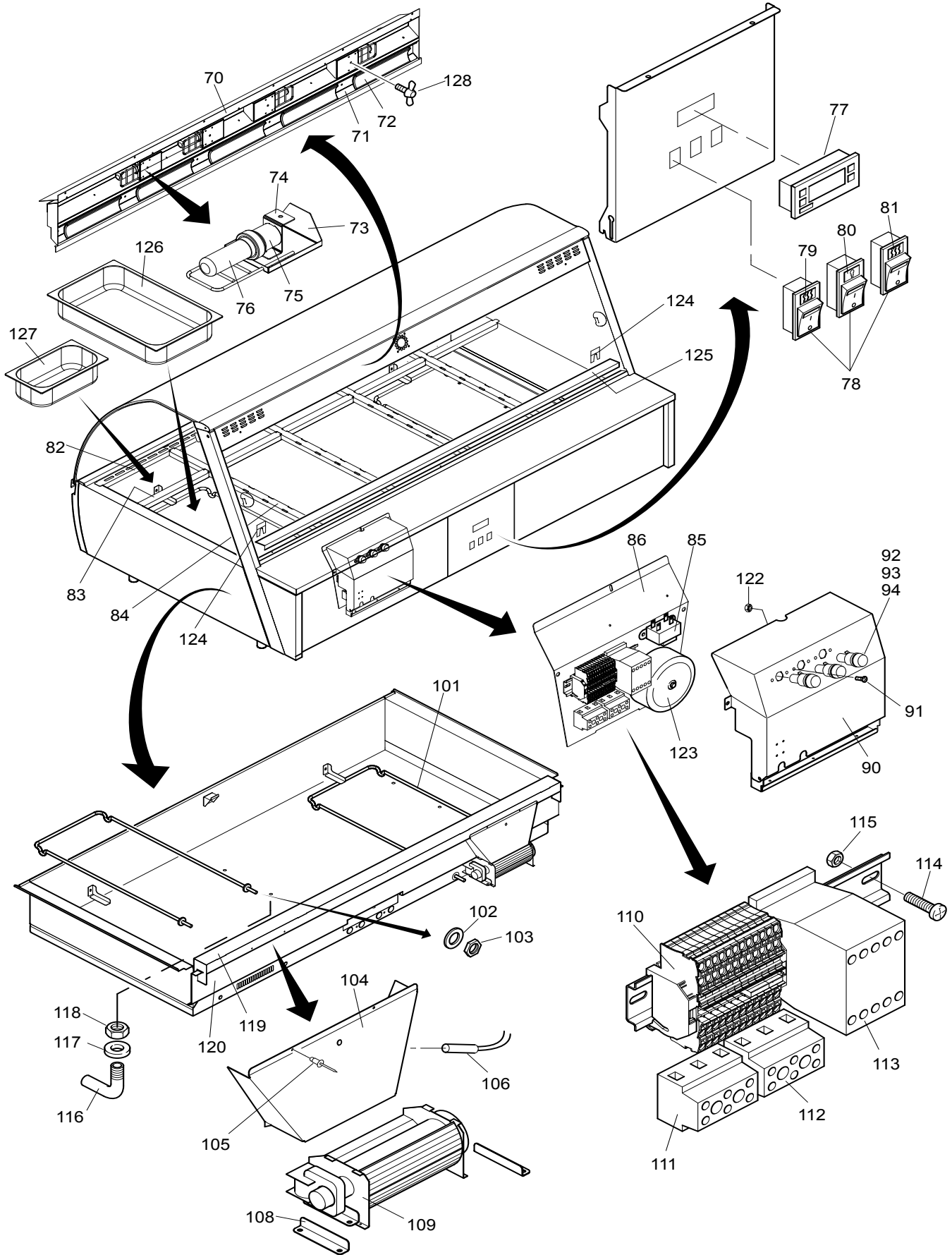
Symptom	Possible causes
No power to warmer controls.	<ol style="list-style-type: none"> 1. Main breaker open. 2. Fuse F1 burned. 3. Wiring loose. 4. Loose flat cable display / I.O. board
Display does not reach desired temperature.	<ol style="list-style-type: none"> 1. Incorrect line voltage. 2. PT-1000 sensor malfunction. 3. Heater(s) inoperative. 4. Relay on power and I/O board malfunction (x9) 5. Contactor inoperative. 6. Power and I/O board malfunction.
Display temperature gets too high.	<ol style="list-style-type: none"> 1. PT-1000 sensor malfunction. 2. Contactor inoperative. 3. Blower motor(s) inoperative. 4. Relay on power and I/O board malfunction (x9) 5. Ring core transformer malfunction. 6. Power and I/O board malfunction.
Buzzer alarm sounds, but water tray is filled.	<ol style="list-style-type: none"> 1. Scaling on water level sensor. 2. Electronic waterlevel control malfunction. 3. Wiring loose.
No heating of water tray.	<ol style="list-style-type: none"> 1. Heater(s) inoperative. 2. Relay on power and I/O board malfunction (x11-x12) 3. Wiring loose.
No display and/or keypad does not function.	<ol style="list-style-type: none"> 1. Loose flat cable display / I.O. board 2. Fuse F4 (125mA) burned 3. Fuse F1 or F2 burned. 4. Display and/or power and I/O board malfunction
No lighting.	<ol style="list-style-type: none"> 1. Incorrect line voltage. 2. Relay on power and I/O board malfunction (x10) 3. Wiring loose. 4. Power and I/O board malfunction.
No buzzer alarm when water level in water tray is low.	<ol style="list-style-type: none"> 1. Scaling on water level sensor. 2. Water level sensor malfunction. 3. Water level control malfunction. 4. CPU board malfunction (buzzer broken). 5. Humidification setting on the keypad is on zero.
Products dry out too fast.	<ol style="list-style-type: none"> 1. No water in water tray. 2. Temperature setting too high.

EXPLODED VIEWS & PARTLISTS

HOT DELI 3-4-5 FULL SERVICE ASSEMBLY DRAWING (TILL NOV. 2009)



HOT DELI 3-4-5 FULL SERVICE COMPONENTS DRAWING (TILL NOV. 2009)



Item	Part nr.	Model	Qty.	Description
1	92602305	HD 3	1	Glass, bended, complete with profiles
1	92602315	HD 4	1	Glass, bended, complete with profiles
1	92602325	HD 5	1	Glass, bended, complete with profiles
1-1	HD 3	1	Glass, bended, without profiles
1-1	HD 4	1	Glass, bended, without profiles
1-1	HD 5	1	Glass, bended, without profiles
1-2	9263011	HD 3	1	Glass handle
1-2	9263006	HD 4	1	Glass handle
1-2	9263002	HD 5	1	Glass handle
1-21	9262460	HD 3	1,1 mtr	Foam rubber
1-21	9262460	HD 4	1,5 mtr	Foam rubber
1-21	9262460	HD 5	1,8 mtr	Foam rubber
1-3	9261024	HD 3	1.1 m.	Protection profile (plastic)
1-3	9261024	HD 4	1.5 m.	Protection profile (plastic)
1-3	9261024	HD 5	1.8 m.	Protection profile (plastic)
1-4	9264595	All models	2	Magnet holder
1-5	9264596	All models	2	Cover plate
1-6	9191182	All models	2	Magnet block
1-7	4288324	All models	2	Screw M 4x8, SS socket button head
2	9263010	HD 3	1	Mounting profile, glass
2	9263005	HD 4	1	Mounting profile, glass
2	9263001	HD 5	1	Mounting profile, glass
3	9261027	All models		Socket set screw M6x8, Torx, stainless steel
4	9262034	All models	2	Cover plate
5	4288324	All models	2	Screw M 4x8, SS socket button head
6	9262022	All models	1	Sideglass right
7	9262023	All models	1	Sideglass left
8	9264071	HD 3	1	Light fixture
8	9264066	HD 4	1	Light fixture
8	9264057	HD 5	1	Light fixture
9	9261011	All models	1	Blower
10	4288322	All models	8	Screw M5 x 10, SS socket button head
11	9264062	All models	1	Profile, sideglass right
12	9264063	All models	1	Profile, sideglass left

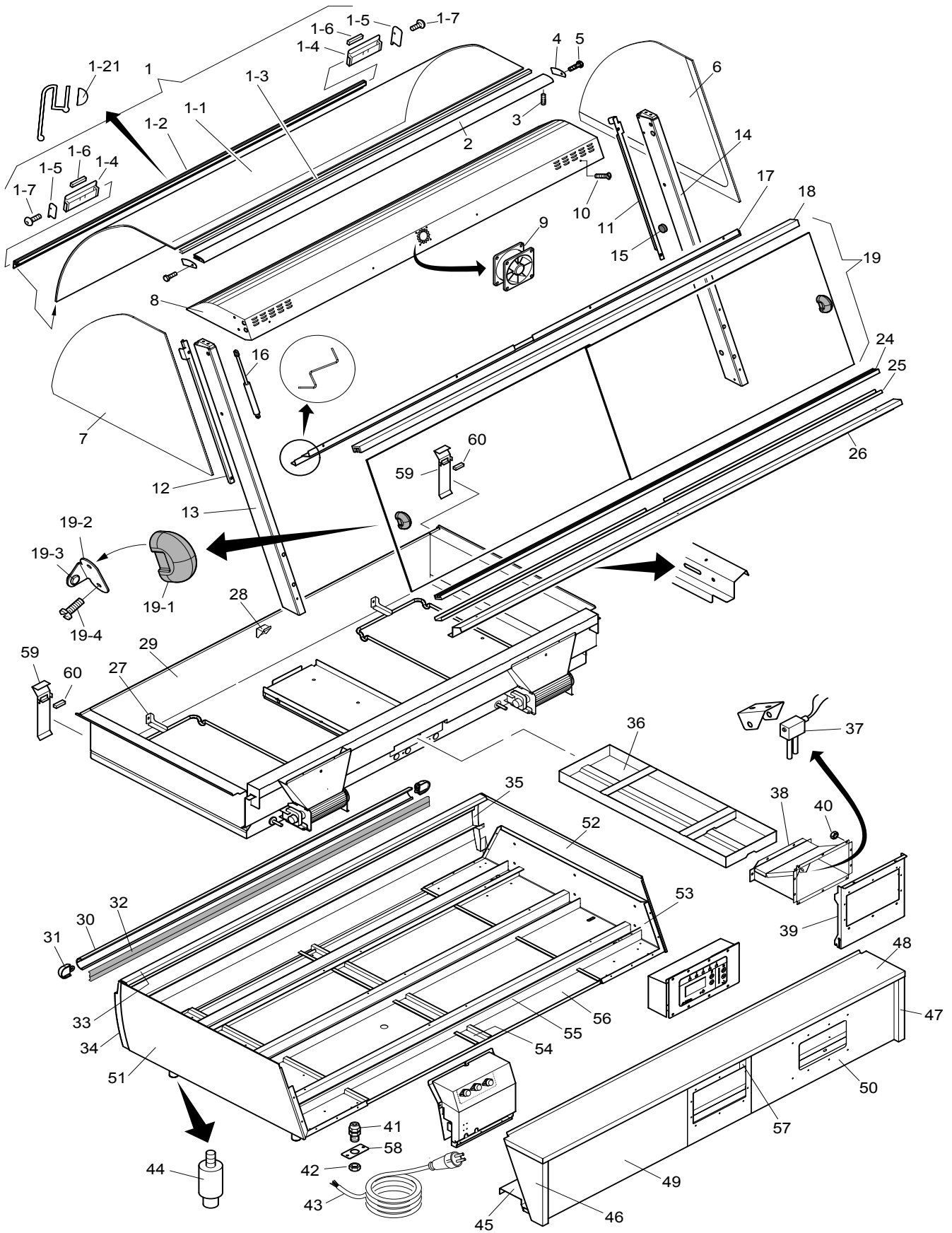
Item	Part nr.	Model	Qty.	Description
13	9262005	All models	1	Console left, ass.
14	9262004	All models	1	Console right, ass.
15	9241000	All models	2	Bumper, console (20 pieces)
16	8031843	HD 3	2	Gas spring 500 N
16	9261021	HD 4	2	Gas spring 700 N
16	8031819	HD 5	2	Gas spring 850 N
17	9264073	HD 3	1	Clamping profile
17	9264068	HD 4	1	Clamping profile
17	9264059	HD 5	1	Clamping profile
18	9262032	HD 3	1	Profile, sliding door, top
18	9262030	HD 4	1	Profile, sliding door, top
18	9262028	HD 5	1	Profile, sliding door, top
19	92602625	HD 3	2	Sliding door, assembly
19	92602635	HD 4	2	Sliding door, assembly
19	92602045	HD 5	2	Sliding door, assembly
19-1	8065038	All models	2	Door handle
19-2	9184253	All models	2	Bumper profile
19-3	9086207	All models	2	Bumper
19-4	0147674	All models	4	Screw M 4x25, SS cross recess head (philips)
24	9262033	HD 3	1	Profile, sliding door, bottom
24	9262031	HD 4	1	Profile, sliding door, bottom
24	9262029	HD 5	1	Profile, sliding door, bottom
25	9264070	HD 3	1	Holder, sliding door profile
25	9264065	HD 4	1	Holder, sliding door profile
25	9264056	HD 5	1	Holder, sliding door profile
26	9264045	HD 3	1	Airsuction profile
26	9264039	HD 4	1	Airsuction profile
26	9264022	HD 5	1	Airsuction profile
27	9264017	All models	2	Bracket, heating element
28	9264018	All models	1	Support, tray frame
29	9260420	HD 3	1	Inner housing
29	9260415	HD 4	1	Inner housing
29	9260410	HD 5	1	Inner housing
30	9263040	HD 3	1	Protection profile (plastic)
30	9263041	HD 4	1	Protection profile (plastic)
30	9263042	HD 5	1	Protection profile (plastic)
31	8071036	All models	2	Plug, end
32	9263045	HD 3	1	Mounting profile
32	9263046	HD 4	1	Mounting profile
32	9263047	HD 5	1	Mounting profile
33	9263012	HD 3	1	Front, aluminium
33	9263007	HD 4	1	Front, aluminium
33	9263003	HD 5	1	Front, aluminium
34	9264112	All models	1	Side-plate, left front
35	9264111	All models	1	Side-plate, right front
36	9264200	All models	1	Cover plate, inner housing

Item	Part nr.	Model	Qty.	Description	Item	Part nr.	Model	Qty.	Description
39	9264204	All models	1	Operation panel	75	9211016	HD 3	2	Lamp holder
41	9261022	All models	1	Strain relief M25	75	9211016	HD 4	3	Lamp holder
42	9261023	All models	1	Nut, relief strain M25	75	9211016	HD 5	4	Lamp holder
43	9172403	All models	1	Connecting cable with plug 15-20P	76	9261002	HD 3	2	Lamp, Halogen 100 W
44	9181030	All models	4	Adjustable leg	76	9261002	HD 4	3	Lamp, Halogen 100 W
45	9264090	HD 3	1	Cover profile, inner housing	76	9261002	HD 5	4	Lamp, Halogen 100 W
45	9264085	HD 4	1	Cover profile, inner housing	77	9221016	All models	1	Thermostat, Eliwell
45	9264075	HD 5	1	Cover profile, inner housing	78	9181008	All models	3	Switch, tumble
46	9264084	All models	1	Side-plate, left	79	9181070	All models	1	Sticker, upper heating
47	9264083	All models	1	Side-plate, right	80	9181071	All models	1	Sticker, lighting
48	9264091	HD 3	1	Panel, service side	81	9181072	All models	1	Sticker, lower heating
48	9264086	HD 4	1	Panel, service side	82	9264046	HD 3	1	Exhaust profil
48	9264076	HD 5	1	Panel, service side	82	9264040	HD 4	1	Exhaust profil
49	9260240	HD 3	2	Back panel	82	9264023	HD 5	1	Exhaust profil
49	9260242	HD 4	2	Back panel	83	9264025	HD 3	3	Profile, tray frame, small
49	9260244	HD 5	2	Back panel	83	9264025	HD 4	4	Profile, tray frame, small
51	9265017	All models	1	Side panel, left	83	9264025	HD 5	5	Profile, tray frame, small
52	9265018	All models	1	Side panel, right	84	9264024	HD 3	2	Profile, tray frame, long
53	9264000	All models	2	Side panel, frame	84	9264024	HD 4	3	Profile, tray frame, long
54	9264002	All models	1	Support	84	9264024	HD 5	4	Profile, tray frame, long
55	9264007	HD 3	3	Support, frame	85	9181036	All models	1	Transformer 230-12 V
55	9264005	HD 4	3	Support, frame	86	9264100	All models	1	Mounting plate, electrical components
55	9264001	HD 5	3	Support, frame	90	9264113	All models	1	Cover plate, electric components
56	9264008	HD 3	1	Cover plate	91	0141204	All models	2	Screw M 4x16, SS cross recess head (philips)
56	9264006	HD 4	1	Cover plate	92	9044205	All models	3	Fuse holder
56	9264004	HD 5	1	Cover plate	93	9262071	All models	2	Fuse SC15, 15A
57	9123492	All models	1	Indication plate	94	9181049	All models	1	Fuse SC2.5, 2.5A
58	9264115	All models	1	Cover plate, strain relief	101	9182017	All models	2	Heating element 208V, 1500W
70	9264072	HD 3	1	Reflector	102	0169197	All models	4	Gasket, heating element
70	9264067	HD 4	1	Reflector	103	0169189	All models	4	Nut, heating element
70	9264058	HD 5	1	Reflector	104	9264020	All models	2	Air deflector
71	9265022	HD 3	1	Mounting plate, ceramic element	105	3701027	All models	6	Pop rivet 3,2 mm SS
71	9265021	HD 4	1	Mounting plate, ceramic element	106	9221020	All models	1	Temperature sensor
71	9265020	HD 5	1	Mounting plate, ceramic element	108	9264021	All models	4	Clamping profile
72	9181065	HD 3	3	Heating element, Ceramic, 150 W	109	9181042	All models	2	Blower 60 Hz
72	9181065	HD 4	4	Heating element, Ceramic, 150 W	110	9262070	All models	1	Terminal block with bracket
72	9181065	HD 5	5	Heating element, Ceramic, 150 W	111	9044564	All models	1	Connecting block, 1,2,3
73	9262045	HD 3	2	Protection, lamp	112	9044572	All models	1	Connecting block, 4,5,6
73	9262045	HD 4	3	Protection, lamp	113	3500069	All models	1	Contactora
73	9262045	HD 5	4	Protection, lamp	114	0141204	All models	2	Screw M 4x16, SS cross recess head (philips)
74	9264060	HD 3	2	Bracket, lamp holder	115	0142307	All models	2	Nut M 4 SS
74	9264060	HD 4	3	Bracket, lamp holder	116	9263020	All models	1	Drain pipe
74	9264060	HD 5	4	Bracket, lamp holder	117	9182065	All models	1	Seal ring

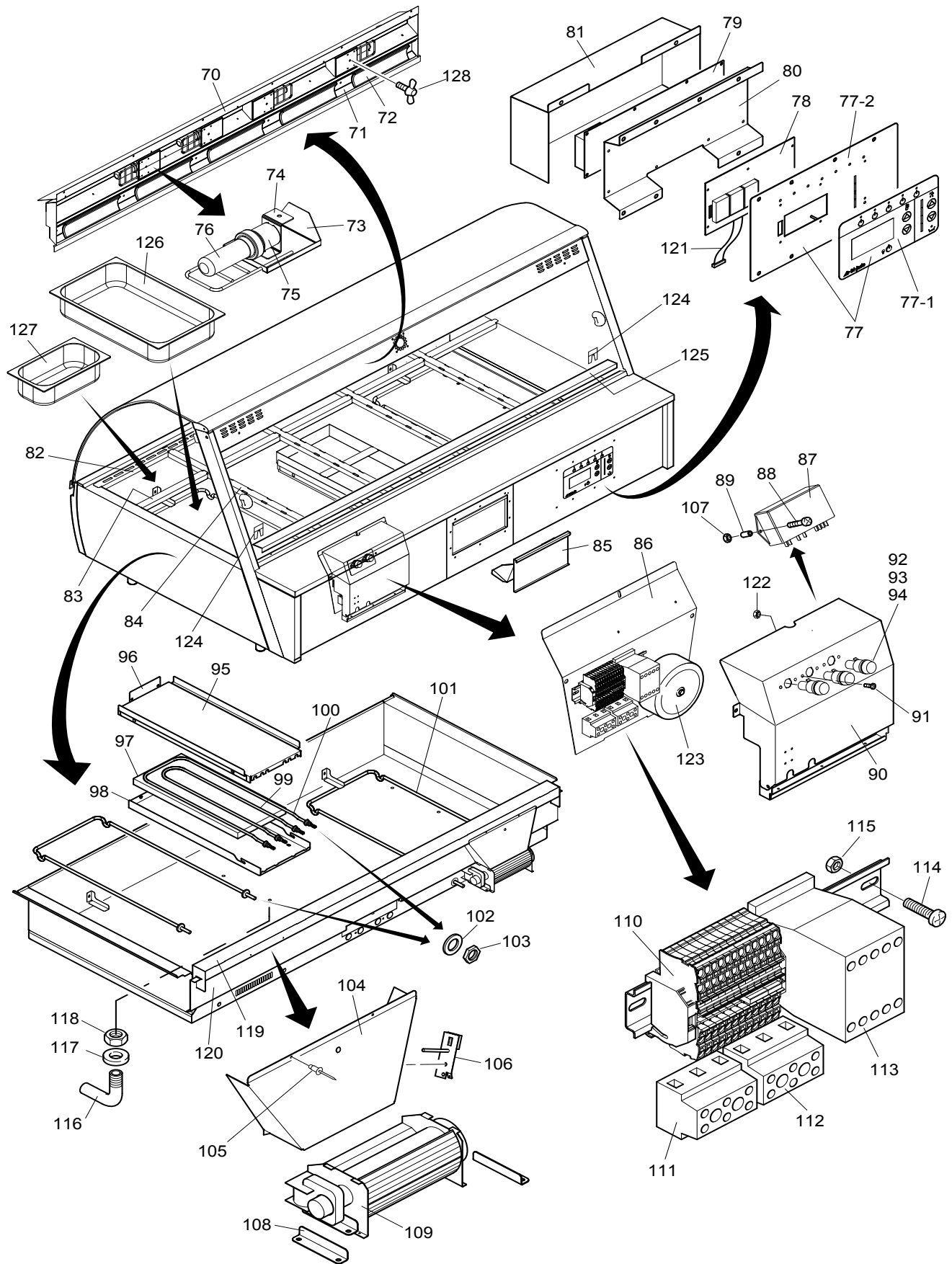
Item	Part nr.	Model	Qty.	Description
118	9008542	All models	1	Nut M 12 SS
119	9260421	HD 3	1	Air deflector
119	9260416	HD 4	1	Air deflector
119	9260411	HD 5	1	Air deflector
120	9264044	HD 3	1	Protection plate
120	9264038	HD 4	1	Protection plate
120	9264019	HD 5	1	Protection plate
122	0142307	All models	6	Nut M 4 SS
123	9181035	All models	1	Ring core transformer 208-230V
124	9264493	All models	4	Bracket
125	9264494	HD 3	1	Cover profile
125	9264497	HD 4	1	Cover profile
125	9264498	HD 5	1	Cover profile
126	2104089	HD 3	3	GN tray 1/1, 100 mm
126	2104089	HD 4	4	GN tray 1/1, 100 mm
126	2104089	HD 5	5	GN tray 1/1, 100 mm
127	2104220	HD 3	3	GN tray 1/3, 100 mm
127	2104220	HD 4	4	GN tray 1/3, 100 mm
127	2104220	HD 5	5	GN tray 1/3, 100 mm
128	9261029	HD 3	2	Wingscrew M 5x10
128	9261029	HD 4	3	Wingscrew M 5x10
128	9261029	HD 5	4	Wingscrew M 5x10

EMPTY PAGE

HOT DELI 3-4-5 HUMIDIFIED ASSEMBLY DRAWING (TILL SERIAL.NR. 100077804)



HOT DELI 3-4-5 HUMIDIFIED COMPONENTS DRAWING (TILL SERIAL NR. 100077804)



Item	Part nr.	Model	Qty.	Description
1	9260230S	HD 3	1	Glass, bended, complete with profiles
1	9260231S	HD 4	1	Glass, bended, complete with profiles
1	9260232S	HD 5	1	Glass, bended, complete with profiles
1-1	HD 3	1	Glass, bended, without profiles
1-1	HD 4	1	Glass, bended, without profiles
1-1	HD 5	1	Glass, bended, without profiles
1-2	9263011	HD 3	1	Glass handle
1-2	9263006	HD 4	1	Glass handle
1-2	9263002	HD 5	1	Glass handle
1-21	9262460	HD 3	1,1 mtr	Foam rubber
1-21	9262460	HD 4	1,5 mtr	Foam rubber
1-21	9262460	HD 5	1,8 mtr	Foam rubber
1-3	9261024	HD 3	1.1 m.	Protection profile (plastic)
1-3	9261024	HD 4	1.5 m.	Protection profile (plastic)
1-3	9261024	HD 5	1.8 m.	Protection profile (plastic)
1-4	9264595	All models	2	Magnet holder
1-5	9264596	All models	2	Cover plate
1-6	9191182	All models	2	Magnet block
1-7	4288324	All models	2	Screw M 4x8, SS socket button head
2	9263010	HD 3	1	Mounting profile, glass
2	9263005	HD 4	1	Mounting profile, glass
2	9263001	HD 5	1	Mounting profile, glass
3	9261027	All models		Socket set screw M6x8, Torx, stainless steel
4	9262034	All models	2	Cover plate
5	4288324	All models	2	Screw M 4x8, SS socket button head
6	9262022S	All models	1	Sideglass right
7	9262023S	All models	1	Sideglass left
8	9264071	HD 3	1	Light fixture
8	9264066	HD 4	1	Light fixture
8	9264057	HD 5	1	Light fixture
9	9261011	All models	1	Blower
10	4288322	All models	8	Screw M5 x 10, SS socket button head
11	9264062	All models	1	Profile, sideglass right
12	9264063	All models	1	Profile, sideglass left
13	9262005	All models	1	Console left, ass.
14	9262004	All models	1	Console right, ass.
15	9241000	All models	2	Bumper, console (20 pieces)
16	8031843	HD 3	2	Gas spring 500 N

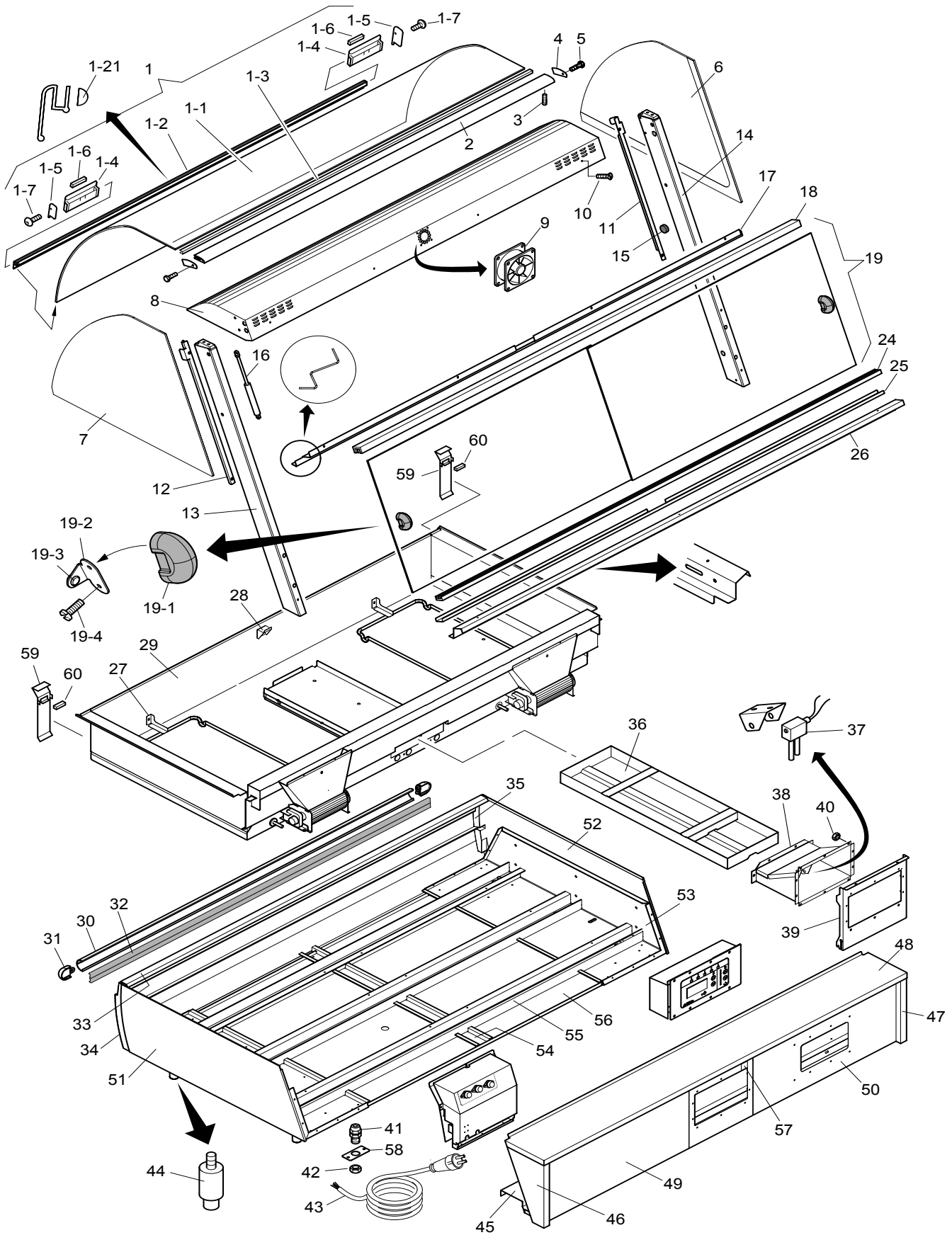
Item	Part nr.	Model	Qty.	Description
16	9261021	HD 4	2	Gas spring 700 N
16	8031819	HD 5	2	Gas spring 850 N
17	9264073	HD 3	1	Clamping profile
17	9264068	HD 4	1	Clamping profile
17	9264059	HD 5	1	Clamping profile
18	9262032	HD 3	1	Profile, sliding door, top
18	9262030	HD 4	1	Profile, sliding door, top
18	9262028	HD 5	1	Profile, sliding door, top
19	9260262S	HD 3	2	Sliding door, assembly
19	9260263S	HD 4	2	Sliding door, assembly
19	9260264S	HD 5	2	Sliding door, assembly
19-1	8065038	All models	2	Door handle
19-2	9184253	All models	2	Bumper profile
19-3	9086207	All models	2	Bumper
19-4	0147674	All models	4	Screw M 4x25, SS cross recess head (philips)
24	9262033	HD 3	1	Profile, sliding door, bottom
24	9262031	HD 4	1	Profile, sliding door, bottom
24	9262029	HD 5	1	Profile, sliding door, bottom
25	9264070	HD 3	1	Holder, sliding door profile
25	9264065	HD 4	1	Holder, sliding door profile
25	9264056	HD 5	1	Holder, sliding door profile
26	9264045	HD 3	1	Airsuction profile
26	9264039	HD 4	1	Airsuction profile
26	9264022	HD 5	1	Airsuction profile
27	9264017	All models	2	Bracket, heating element
28	9264018	All models	1	Support, tray frame
29	9260420	HD 3	1	Inner housing
29	9260415	HD 4	1	Inner housing
29	9260410	HD 5	1	Inner housing
30	9263040	HD 3	1	Protection profile (plastic)
30	9263041	HD 4	1	Protection profile (plastic)
30	9263042	HD 5	1	Protection profile (plastic)
31	8071036	All models	2	Plug, end
32	9263045	HD 3	1	Mounting profile
32	9263046	HD 4	1	Mounting profile
32	9263047	HD 5	1	Mounting profile
33	9263012	HD 3	1	Front, aluminium
33	9263007	HD 4	1	Front, aluminium
33	9263003	HD 5	1	Front, aluminium
34	9264112	All models	1	Side-plate, left front
35	9264111	All models	1	Side-plate, right front
36	9260401	All models	1	Water drawer
37	9262048	All models	1	Water level sensor, ass.
38	9260403	All models	1	Middle section
39	9264078	All models	1	Back panel, middle
40	9087570	All models	10	Nut M 5, serrated

Item	Part nr.	Model	Qty.	Description	Item	Part nr.	Model	Qty.	Description
41	9261022	All models	1	Strain relief M25	73	9262045	HD 4	3	Protection, lamp
42	9261023	All models	1	Nut, relief strain M25	73	9262045	HD 5	4	Protection, lamp
43	9172403	All models	1	Connecting cable with plug 15-20P	74	9264060	HD 3	2	Bracket, lamp holder
44	9181030	All models	4	Adjustable leg	74	9264060	HD 4	3	Bracket, lamp holder
45	9264090	HD 3	1	Cover profile, inner housing	74	9264060	HD 5	4	Bracket, lamp holder
45	9264085	HD 4	1	Cover profile, inner housing	75	9211016	HD 3	2	Lamp holder
45	9264075	HD 5	1	Cover profile, inner housing	75	9211016	HD 4	3	Lamp holder
46	9264084	All models	1	Side-plate, left	75	9211016	HD 5	4	Lamp holder
47	9264083	All models	1	Side-plate, right	76	9261002	HD 3	2	Lamp, Halogen 100 W
48	9264091	HD 3	1	Panel, service side	76	9261002	HD 4	3	Lamp, Halogen 100 W
48	9264086	HD 4	1	Panel, service side	76	9261002	HD 5	4	Lamp, Halogen 100 W
48	9264076	HD 5	1	Panel, service side	77	9260233	HD 3	1	Keypad + backplate
49	9260240	HD 3	1	Back panel	77	9260234	HD 4	1	Keypad + backplate
49	9260242	HD 4	1	Back panel	77	9260235	HD 5	1	Keypad + backplate
49	9260244	HD 5	1	Back panel	77-1	9262010	HD 3	1	Keypad
50	9260241	HD 3	1	Back panel, right	77-1	9262011	HD 4	1	Keypad
50	9260243	HD 4	1	Back panel, right	77-1	9262012	HD 5	1	Keypad
50	9260245	HD 5	1	Back panel, right	77-2	9264095	All models	1	Backplate
51	9265017	All models	1	Side panel, left	78	9262057	All models	1	Display
52	9265018	All models	1	Side panel, right	79	9262067	All models	1	Power & I/O board
53	9264000	All models	2	Side panel, frame	80	9264081	All models	1	Mounting plate
54	9264002	All models	1	Support	81	9264082	All models	1	Cover
55	9264007	HD 3	3	Support, frame	82	9264046	HD 3	1	Exhaust profil
55	9264005	HD 4	3	Support, frame	82	9264040	HD 4	1	Exhaust profil
55	9264001	HD 5	3	Support, frame	82	9264023	HD 5	1	Exhaust profil
56	9264008	HD 3	1	Cover plate	83	9264025	HD 3	3	Profile, tray frame, small
56	9264006	HD 4	1	Cover plate	83	9264025	HD 4	4	Profile, tray frame, small
56	9264004	HD 5	1	Cover plate	83	9264025	HD 5	5	Profile, tray frame, small
57	9123492	All models	1	Indication plate	84	9264024	HD 3	2	Profile, tray frame, long
58	9264115	All models	1	Cover plate, strain relief	84	9264024	HD 4	3	Profile, tray frame, long
59	9264594	All models	2	Magnet holder	84	9264024	HD 5	4	Profile, tray frame, long
60	9191182	All models	2	Magnet block	85	9260404	All models	1	Door, water drawer
70	9264072	HD 3	1	Reflector	86	9264100	All models	1	Mounting plate, electrical components
70	9264067	HD 4	1	Reflector	87	9262072	All models	1	Water level control, electronic
70	9264058	HD 5	1	Reflector	88	0141204	All models	2	Screw M 4x16, SS cross recess head (philips)
71	9265022	HD 3	1	Mounting plate, ceramic element	89	9040659	All models	2	Spacing pin, nylon
71	9265021	HD 4	1	Mounting plate, ceramic element	90	9264101	All models	1	Cover plate, electric components
71	9265020	HD 5	1	Mounting plate, ceramic element	91	0141204	All models	6	Screw M 4x16, SS cross recess head (philips)
72	9181065	HD 3	3	Heating element, Ceramic, 150 W	92	9044205	All models	3	Fuse holder
72	9181065	HD 4	4	Heating element, Ceramic, 150 W	93	9262071	All models	2	Fuse SC15, 15A
72	9181065	HD 5	5	Heating element, Ceramic, 150 W	94	9181049	All models	1	Fuse SC 2.5, 2.5A
73	9262045	HD 3	2	Protection, lamp	95	9260402	All models	1	Cover, housing heating elements
					96	9264030	All models	1	End plate, water drawer

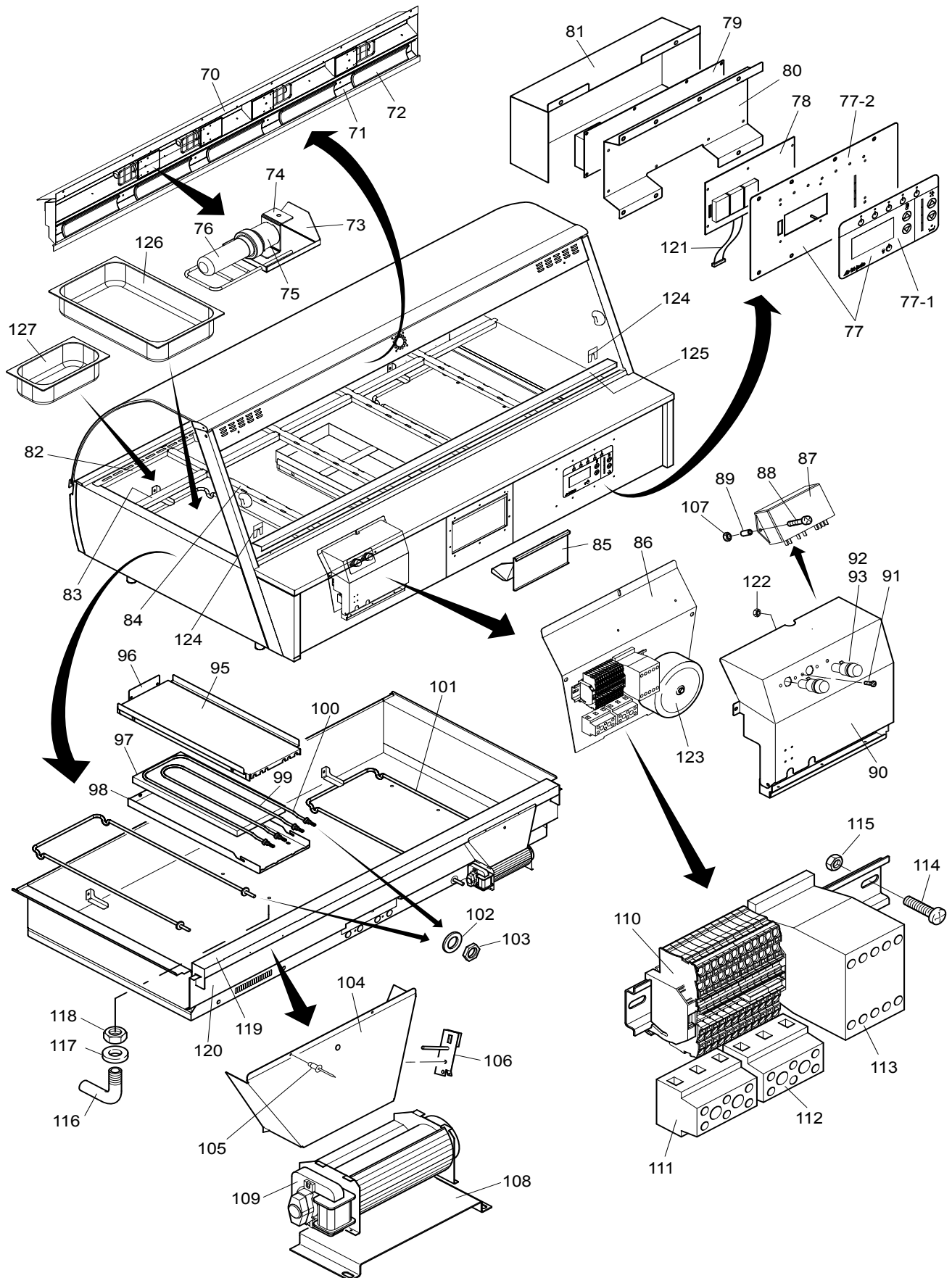
Item	Part nr.	Model	Qty.	Description
97	9264029	All models	1	Cover plate
98	9264026	All models	1	Housing, heating elements
99	9182080	All models	1	Heating element 208 V, 600 W
100	9182081	All models	1	Heating element 208 V, 300 W
101	9182017	All models	2	Heating element 208 V, 1500 W
102	0169197	All models	8	Gasket, heating element
103	0169189	All models	8	Nut, heating element
104	9264020	All models	2	Air deflector
105	3701027	All models	6	Pop rivet 3,2 mm SS
106	9172310	All models	1	Temperature sensor PT 1000
107	0142307	All models	2	Nut M 4 SS
108	9264021	All models	4	Clamping profile
109	9181042	All models	2	Blower 60 Hz
110	9262070	All models	1	Terminal block with bracket
111	9044564	All models	1	Connecting block, 1,2,3
112	9044572	All models	1	Connecting block, 4,5,6
113	3500069	All models	1	Contacto
114	0141204	All models	2	Screw M 4x16, SS cross recess head (philips)
115	0142307	All models	2	Nut M 4 SS
116	9263020	All models	1	Drain pipe
117	9182065	All models	1	Seal ring
118	9008542	All models	1	Nut M 12 SS
119	9260421	HD 3	1	Air deflector
119	9260416	HD 4	1	Air deflector
119	9260411	HD 5	1	Air deflector
120	9264044	HD 3	1	Protection plate
120	9264038	HD 4	1	Protection plate
120	9264019	HD 5	1	Protection plate
121	9262027	All models	1	Flatcable
122	0142307	All models	4	Nut M 4 SS
123	9181035	All models	1	Ring core transformer 208-230 V
124	9264493	All models	4	Bracket
125	9264494	HD 3	1	Cover profile
125	9264497	HD 4	1	Cover profile
125	9264498	HD 5	1	Cover profile
126	2104089	HD 3	3	GN tray 1/1, 100 mm
126	2104089	HD 4	4	GN tray 1/1, 100 mm
126	2104089	HD 5	5	GN tray 1/1, 100 mm
127	2104220	HD 3	3	GN tray 1/3, 100 mm
127	2104220	HD 4	4	GN tray 1/3, 100 mm
127	2104220	HD 5	5	GN tray 1/3, 100 mm
128	9261029	HD 3	2	Wingscrew M 5x10
128	9261029	HD 4	3	Wingscrew M 5x10
128	9261029	HD 5	4	Wingscrew M 5x10

EMPTY PAGE

HOT DELI 3-4-5 HUMIDIFIED ASSEMBLY DRAWING



HOT DELI 3-4-5 HUMIDIFIED COMPONENTS DRAWING



Item	Part nr.	Model	Qty.	Description
1	9260230S	HD 3	1	Glass, bended, complete with profiles
1	9260231S	HD 4	1	Glass, bended, complete with profiles
1	9260232S	HD 5	1	Glass, bended, complete with profiles
1-1	HD 3	1	Glass, bended, without profiles
1-1	HD 4	1	Glass, bended, without profiles
1-1	HD 5	1	Glass, bended, without profiles
1-2	9263011	HD 3	1	Glass handle
1-2	9263006	HD 4	1	Glass handle
1-2	9263002	HD 5	1	Glass handle
1-21	9262460	HD 3	1,1 mtr	Foam rubber
1-21	9262460	HD 4	1,5 mtr	Foam rubber
1-21	9262460	HD 5	1,8 mtr	Foam rubber
1-3	9261024	HD 3	1.1 m.	Protection profile (plastic)
1-3	9261024	HD 4	1.5 m.	Protection profile (plastic)
1-3	9261024	HD 5	1.8 m.	Protection profile (plastic)
1-4	9264595	All models	2	Magnet holder
1-5	9264596	All models	2	Cover plate
1-6	9191182	All models	2	Magnet block
1-7	4288324	All models	2	Screw M 4x8, SS socket button head
2	9263010	HD 3	1	Mounting profile, glass
2	9263005	HD 4	1	Mounting profile, glass
2	9263001	HD 5	1	Mounting profile, glass
3	9261027	All models		Socket set screw M6x8, Torx, stainless steel
4	9262034	All models	2	Cover plate
5	4288324	All models	2	Screw M 4x8, SS socket button head
6	9262022S	All models	1	Sideglass right
7	9262023S	All models	1	Sideglass left
8	9264071	HD 3	1	Light fixture
8	9264066	HD 4	1	Light fixture
8	9264057	HD 5	1	Light fixture
9	9261011	All models	1	Blower
10	4288322	All models	8	Screw M5 x 10, SS socket button head
11	9264062	All models	1	Profile, sideglass right
12	9264063	All models	1	Profile, sideglass left
13	9262005	All models	1	Console left, ass.
14	9262004	All models	1	Console right, ass.
15	9241000	All models	2	Bumper, console (20 pieces)
16	8031843	HD 3	2	Gas spring 500 N

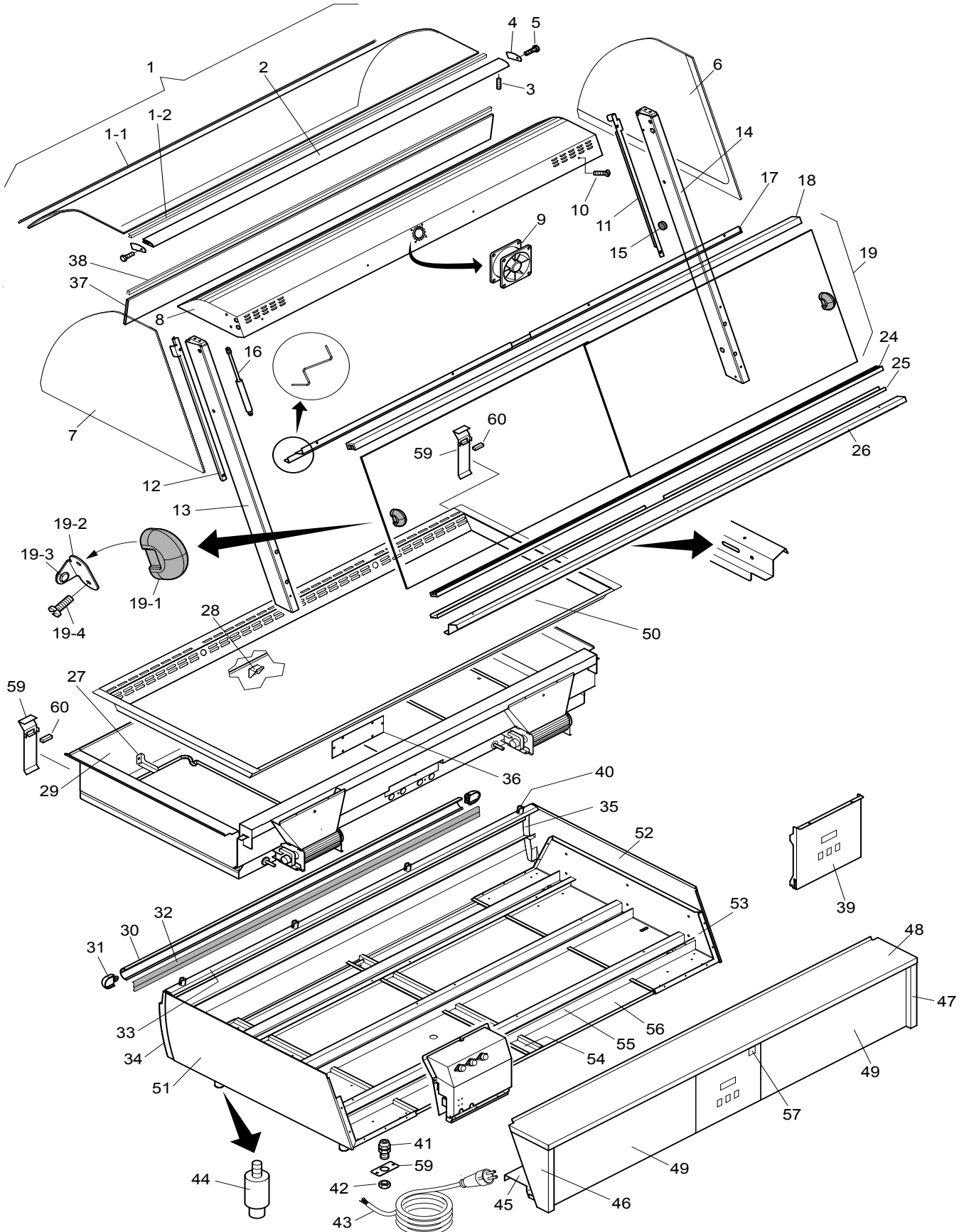
Item	Part nr.	Model	Qty.	Description
16	9261021	HD 4	2	Gas spring 700 N
16	8031819	HD 5	2	Gas spring 850 N
17	9264073	HD 3	1	Clamping profile
17	9264068	HD 4	1	Clamping profile
17	9264059	HD 5	1	Clamping profile
18	9262032	HD 3	1	Profile, sliding door, top
18	9262030	HD 4	1	Profile, sliding door, top
18	9262028	HD 5	1	Profile, sliding door, top
19	9260262S	HD 3	2	Sliding door, assembly
19	9260263S	HD 4	2	Sliding door, assembly
19	9260264S	HD 5	2	Sliding door, assembly
19-1	8065038	All models	2	Door handle
19-2	9184253	All models	2	Bumper profile
19-3	9086207	All models	2	Bumper
19-4	0147674	All models	4	Screw M 4x25, SS cross recess head (philips)
24	9262033	HD 3	1	Profile, sliding door, bottom
24	9262031	HD 4	1	Profile, sliding door, bottom
24	9262029	HD 5	1	Profile, sliding door, bottom
25	9264070	HD 3	1	Holder, sliding door profile
25	9264065	HD 4	1	Holder, sliding door profile
25	9264056	HD 5	1	Holder, sliding door profile
26	9264045	HD 3	1	Airsuction profile
26	9264039	HD 4	1	Airsuction profile
26	9264022	HD 5	1	Airsuction profile
27	9264017	All models	2	Bracket, heating element
28	9264018	All models	1	Support, tray frame
29	9260420	HD 3	1	Inner housing
29	9260415	HD 4	1	Inner housing
29	9260410	HD 5	1	Inner housing
30	9263040	HD 3	1	Protection profile (plastic)
30	9263041	HD 4	1	Protection profile (plastic)
30	9263042	HD 5	1	Protection profile (plastic)
31	8071036	All models	2	Plug, end
32	9263045	HD 3	1	Mounting profile
32	9263046	HD 4	1	Mounting profile
32	9263047	HD 5	1	Mounting profile
33	9263012	HD 3	1	Front, aluminium
33	9263007	HD 4	1	Front, aluminium
33	9263003	HD 5	1	Front, aluminium
34	9264112	All models	1	Side-plate, left front
35	9264111	All models	1	Side-plate, right front
36	9260401	All models	1	Water drawer
37	9262048	All models	1	Water level sensor, ass.
38	9260403	All models	1	Middle section
39	9264078	All models	1	Back panel, middle
40	9087570	All models	10	Nut M 5, serrated

Item	Part nr.	Model	Qty.	Description	Item	Part nr.	Model	Qty.	Description
41	9261022	All models	1	Strain relief M25	73	9262045	HD 4	3	Protection, lamp
42	9261023	All models	1	Nut, relief strain M25	73	9262045	HD 5	4	Protection, lamp
43	9172403	All models	1	Connecting cable with plug 15-20P	74	9264060	HD 3	2	Bracket, lamp holder
44	9181030	All models	4	Adjustable leg	74	9264060	HD 4	3	Bracket, lamp holder
45	9264090	HD 3	1	Cover profile, inner housing	74	9264060	HD 5	4	Bracket, lamp holder
45	9264085	HD 4	1	Cover profile, inner housing	75	9211016	HD 3	2	Lamp holder
45	9264075	HD 5	1	Cover profile, inner housing	75	9211016	HD 4	3	Lamp holder
46	9264084	All models	1	Side-plate, left	75	9211016	HD 5	4	Lamp holder
47	9264083	All models	1	Side-plate, right	76	9261002	HD 3	2	Lamp, Halogen 100 W
48	9264091	HD 3	1	Panel, service side	76	9261002	HD 4	3	Lamp, Halogen 100 W
48	9264086	HD 4	1	Panel, service side	76	9261002	HD 5	4	Lamp, Halogen 100 W
48	9264076	HD 5	1	Panel, service side	77	9260233	HD 3	1	Keypad + backplate
49	9260240	HD 3	1	Back panel	77	9260234	HD 4	1	Keypad + backplate
49	9260242	HD 4	1	Back panel	77	9260235	HD 5	1	Keypad + backplate
49	9260244	HD 5	1	Back panel	77-1	9262010	HD 3	1	Keypad
50	9260241	HD 3	1	Back panel, right	77-1	9262011	HD 4	1	Keypad
50	9260243	HD 4	1	Back panel, right	77-1	9262012	HD 5	1	Keypad
50	9260245	HD 5	1	Back panel, right	77-2	9264095	All models	1	Backplate
51	9265017	All models	1	Side panel, left	78	9262057	All models	1	Display
52	9265018	All models	1	Side panel, right	79	9262067	All models	1	Power & I/O board
53	9264000	All models	2	Side panel, frame	80	9264081	All models	1	Mounting plate
54	9264002	All models	1	Support	81	9264082	All models	1	Cover
55	9264007	HD 3	3	Support, frame	82	9264046	HD 3	1	Exhaust profil
55	9264005	HD 4	3	Support, frame	82	9264040	HD 4	1	Exhaust profil
55	9264001	HD 5	3	Support, frame	82	9264023	HD 5	1	Exhaust profil
56	9264008	HD 3	1	Cover plate	83	9264025	HD 3	3	Profile, tray frame, small
56	9264006	HD 4	1	Cover plate	83	9264025	HD 4	4	Profile, tray frame, small
56	9264004	HD 5	1	Cover plate	83	9264025	HD 5	5	Profile, tray frame, small
57	9123492	All models	1	Indication plate	84	9264024	HD 3	2	Profile, tray frame, long
58	9264115	All models	1	Cover plate, strain relief	84	9264024	HD 4	3	Profile, tray frame, long
59	9264594	All models	2	Magnet holder	84	9264024	HD 5	4	Profile, tray frame, long
60	9191182	All models	2	Magnet block	85	9260404	All models	1	Door, water drawer
70	9264072	HD 3	1	Reflector	86	9264100	All models	1	Mounting plate, electrical components
70	9264067	HD 4	1	Reflector	87	9262072	All models	1	Water level control, electronic
70	9264058	HD 5	1	Reflector	88	0141204	All models	2	Screw M 4x16, SS cross recess head (philips)
71	9265022	HD 3	1	Mounting plate, ceramic element	89	9040659	All models	2	Spacing pin, nylon
71	9265021	HD 4	1	Mounting plate, ceramic element	90	9264101	All models	1	Cover plate, electric components
71	9265020	HD 5	1	Mounting plate, ceramic element	91	0141204	All models	6	Screw M 4x16, SS cross recess head (philips)
72	9181065	HD 3	3	Heating element, Ceramic, 150 W	92	9044205	All models	3	Fuse holder
72	9181065	HD 4	4	Heating element, Ceramic, 150 W	93	9262071	All models	2	Fuse SC15, 15A
72	9181065	HD 5	5	Heating element, Ceramic, 150 W	95	9260402	All models	1	Cover, housing heating elements
73	9262045	HD 3	2	Protection, lamp	96	9264030	All models	1	End plate, water drawer
					97	9264029	All models	1	Cover plate

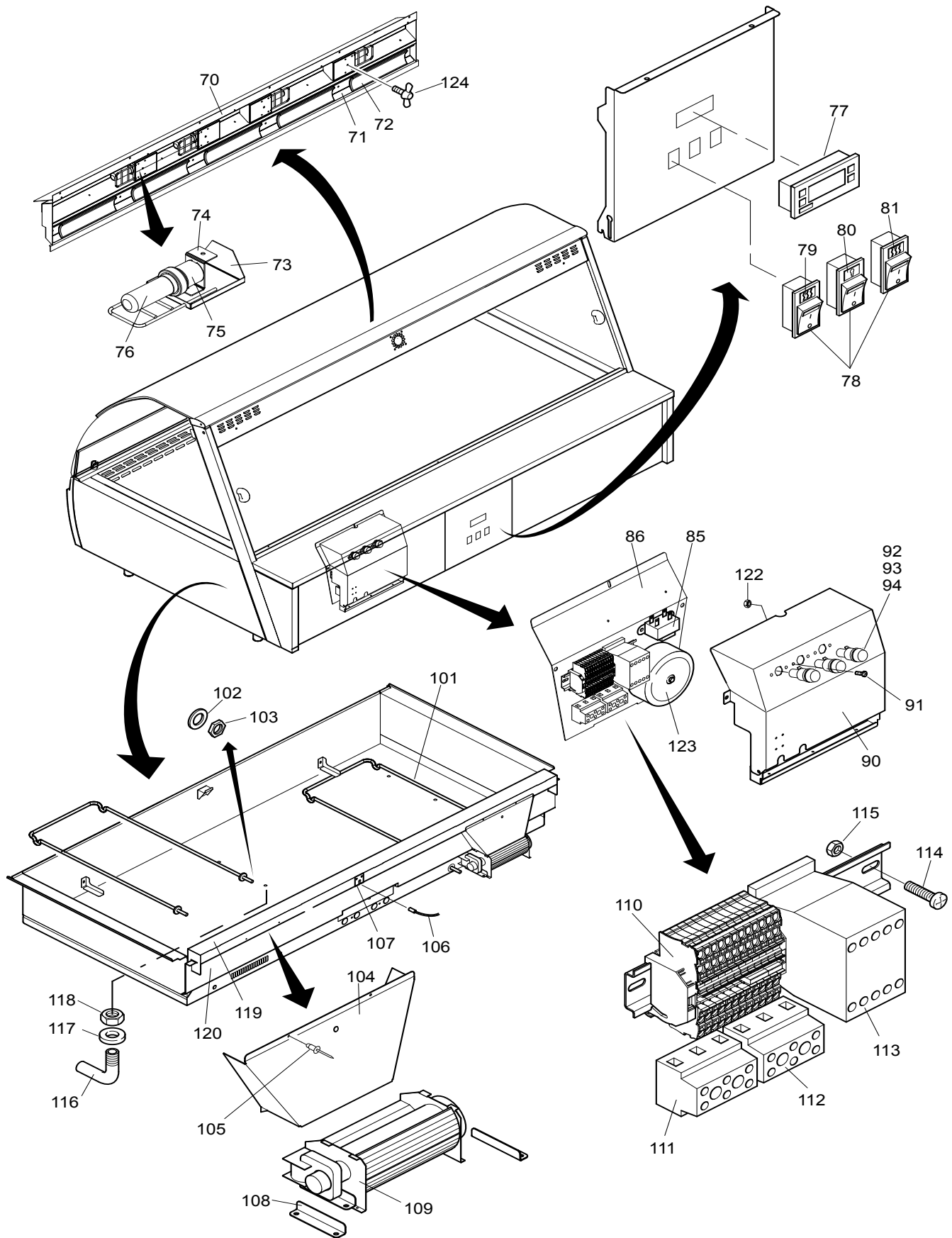
Item	Part nr.	Model	Qty.	Description
98	9264026	All models	1	Housing, heating elements
99	9182080	All models	1	Heating element 208 V, 600 W
100	9182081	All models	1	Heating element 208 V, 300 W
101	9182017	All models	2	Heating element 208 V, 1500 W
102	0169197	All models	8	Gasket, heating element
103	0169189	All models	8	Nut, heating element
104	9264181	All models	2	Air deflector
105	3701027	All models	6	Pop rivet 3,2 mm SS
106	9172310	All models	1	Temperature sensor PT 1000
107	0142307	All models	2	Nut M 4 SS
108	9264180	All models	2	Mounting bracket
109	9261061	All models	2	Blower, 50...60Hz
110	9262070	All models	1	Terminal block with bracket
111	9044564	All models	1	Connecting block, 1,2,3
112	9044572	All models	1	Connecting block, 4,5,6
113	3500069	All models	1	Contactora
114	0141204	All models	2	Screw M 4x16, SS cross recess head (philips)
115	0142307	All models	2	Nut M 4 SS
116	9263020	All models	1	Drain pipe
117	9182065	All models	1	Seal ring
118	9008542	All models	1	Nut M 12 SS
119	9260421	HD 3	1	Air deflector
119	9260416	HD 4	1	Air deflector
119	9260411	HD 5	1	Air deflector
120	9264044	HD 3	1	Protection plate
120	9264038	HD 4	1	Protection plate
120	9264019	HD 5	1	Protection plate
121	9262027	All models	1	Flatcable
122	0142307	All models	4	Nut M 4 SS
123	9181035	All models	1	Ring core transformer 208-230 V
124	9264493	All models	4	Bracket
125	9264494	HD 3	1	Cover profile
125	9264497	HD 4	1	Cover profile
125	9264498	HD 5	1	Cover profile
126	2104089	HD 3	3	GN tray 1/1, 100 mm
126	2104089	HD 4	4	GN tray 1/1, 100 mm
126	2104089	HD 5	5	GN tray 1/1, 100 mm
127	2104220	HD 3	3	GN tray 1/3, 100 mm
127	2104220	HD 4	4	GN tray 1/3, 100 mm
127	2104220	HD 5	5	GN tray 1/3, 100 mm
128	9261029	HD 3	2	Wingscrew M 5x10
128	9261029	HD 4	3	Wingscrew M 5x10
128	9261029	HD 5	4	Wingscrew M 5x10



HOT DELI 3-4-5 SELF SERVICE ASSEMBLY DRAWING (TILL SERIAL NR 100077804)



HOT DELI 3-4-5 SELF SERVICE COMPONENTS DRAWING (TILL SERIAL NR.100077804)

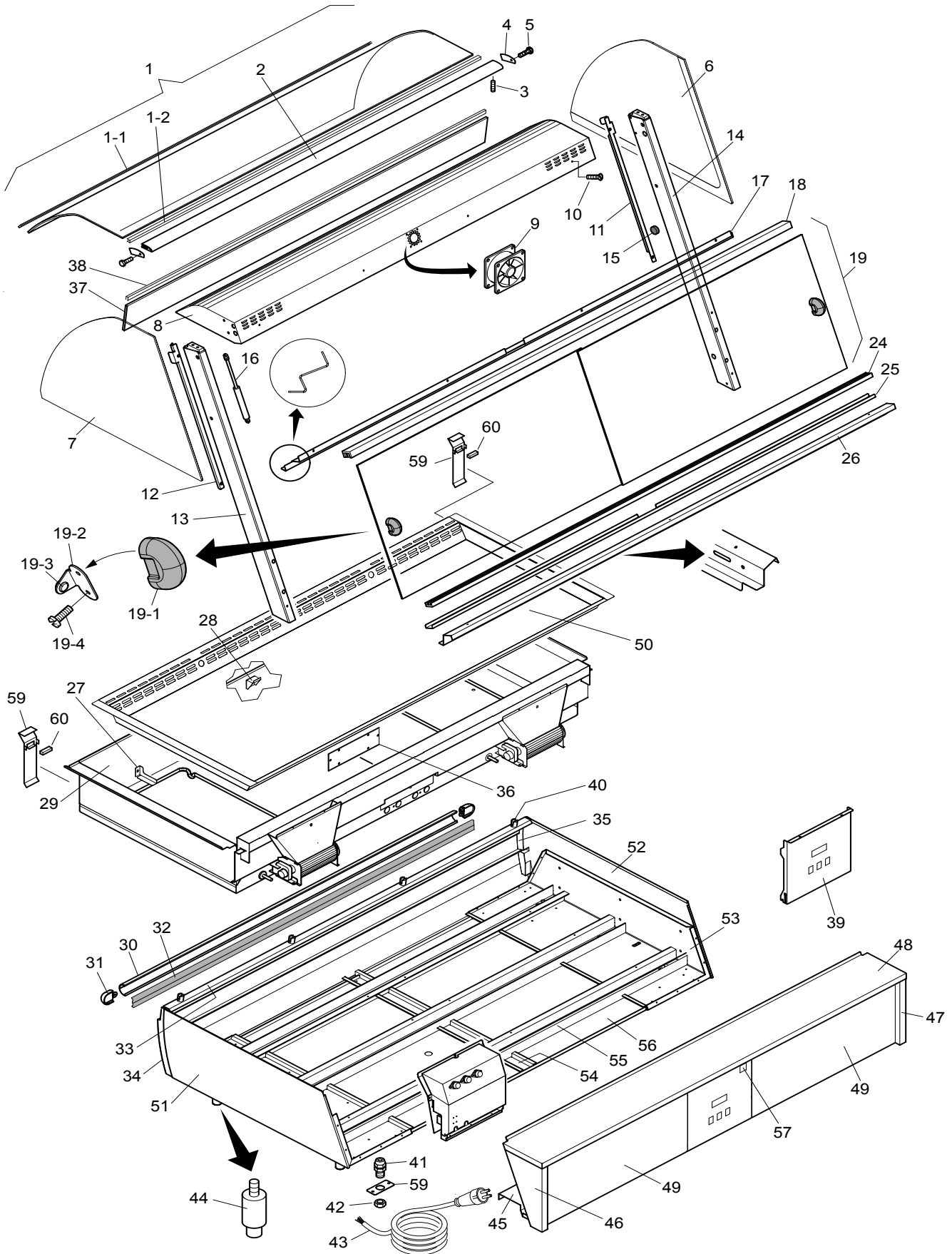


Item	Part nr.	Model	Qty.	Description
1	9262042S	HD 3	1	Glass, top, complete with plastic profiles
1	9262041S	HD 4	1	Glass, top, complete with plastic profil
1	9262040S	HD 5	1	Glass, top, complete with plastic profil
1-1	9263049	HD 3	2	Protection profile (plastic)
1-1	9263055	HD 4	2	Protection profile (plastic)
1-1	9263056	HD 5	2	Protection profile (plastic)
1-2	9261024	HD 3	1.1 mtr	Protection profile (plastic)
1-2	9261024	HD 4	1.5 mtr	Protection profile (plastic)
1-2	9261024	HD 5	1.8 mtr	Protection profile (plastic)
2	9263010	HD 3	1	Mounting profile, glass
2	9263005	HD 4	1	Mounting profile, glass
2	9263001	HD 5	1	Mounting profile, glass
3	9261027	All models		Socket set screw M6x8, Torx, stainless steel
4	9262034	All models	2	Cover plate
5	4288324	All models	2	Screw M 4x8, SS socket button head
6	9262022S	All models	1	Sideglass right
7	9262023S	All models	1	Sideglass left
8	9264071	HD 3	1	Light fixture
8	9264066	HD 4	1	Light fixture
8	9264057	HD 5	1	Light fixture
9	9261011	All models	1	Blower
10	4288322	All models	8	Screw M5 x 10, SS socket button head
11	9264062	All models	1	Profile, sideglass right
12	9264063	All models	1	Profile, sideglass left
13	9262005	All models	1	Console left, ass.
14	9262004	All models	1	Console right, ass.
15	9241000	All models	2	Bumper, console (20 pieces)
16	9261020	HD 3	1	Gas spring 100 N
16	9261020	HD 4	2	Gas spring 100 N
16	9261020	HD 5	2	Gas spring 100 N
17	9264073	HD 3	1	Clamping profile
17	9264068	HD 4	1	Clamping profile
17	9264059	HD 5	1	Clamping profile
18	9262032	HD 3	1	Profile, sliding door, top
18	9262030	HD 4	1	Profile, sliding door, top
18	9262028	HD 5	1	Profile, sliding door, top
19	9260262S	HD 3	2	Sliding door, assembly
19	9260263S	HD 4	2	Sliding door, assembly
19	9260264S	HD 5	2	Sliding door, assembly

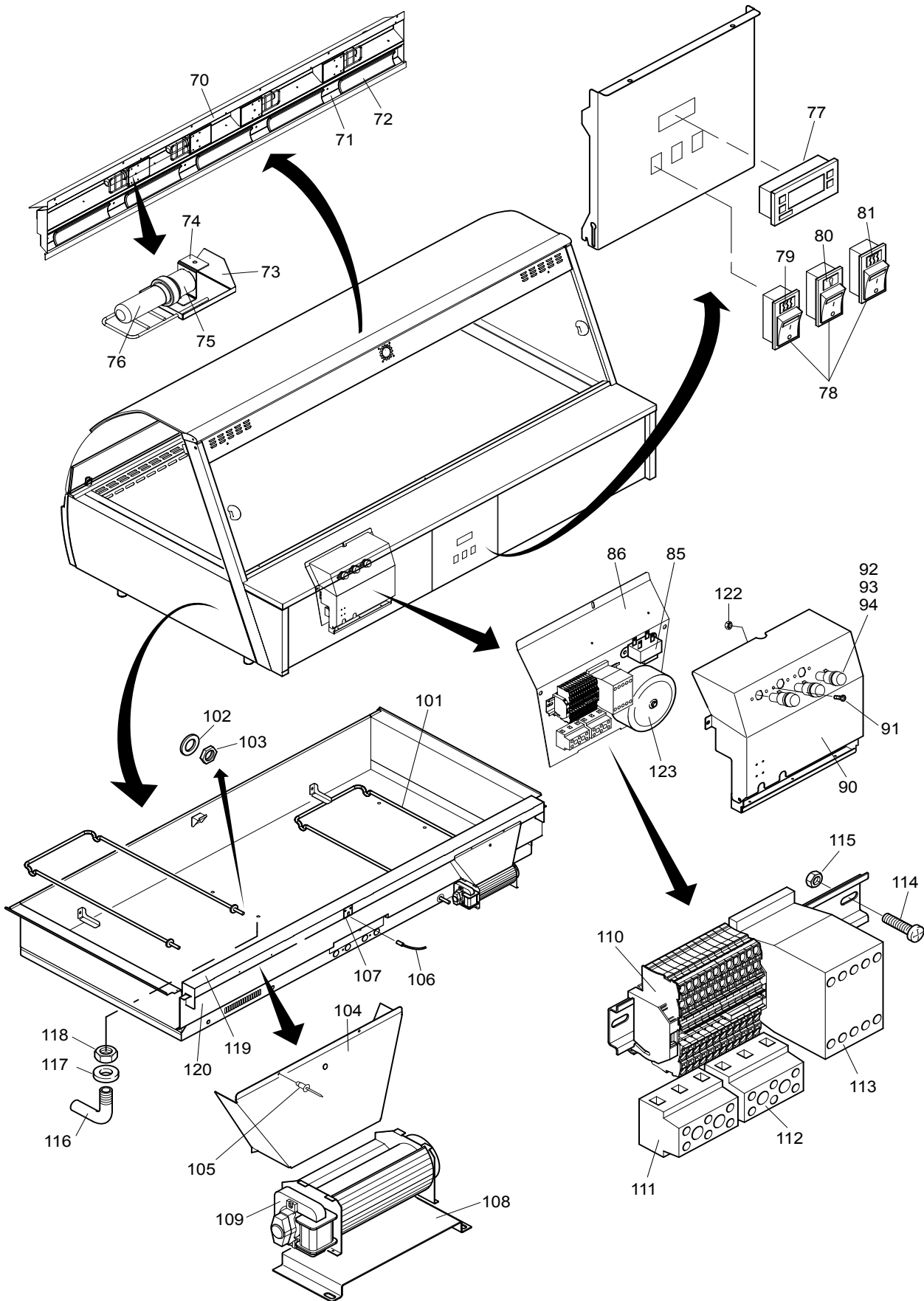
Item	Part nr.	Model	Qty.	Description
19-1	8065038	All models	2	Door handle
19-2	9184253	All models	2	Bumper profile
19-3	9086207	All models	2	Bumper
19-4	0147674	All models	4	Screw M 4x25, SS cross recess head (philips)
24	9262033	HD 3	1	Profile, sliding door, bottom
24	9262031	HD 4	1	Profile, sliding door, bottom
24	9262029	HD 5	1	Profile, sliding door, bottom
25	9264070	HD 3	1	Holder, sliding door profile
25	9264065	HD 4	1	Holder, sliding door profile
25	9264056	HD 5	1	Holder, sliding door profile
26	9264045	HD 3	1	Airsuction profile
26	9264039	HD 4	1	Airsuction profile
26	9264022	HD 5	1	Airsuction profile
27	9264017	All models	2	Bracket, heating element
28	9264018	All models	1	Support, tray frame
29	9260420	HD 3	1	Inner housing
29	9260415	HD 4	1	Inner housing
29	9260410	HD 5	1	Inner housing
30	9263040	HD 3	1	Protection profile (plastic)
30	9263041	HD 4	1	Protection profile (plastic)
30	9263042	HD 5	1	Protection profile (plastic)
31	8071036	All models	2	Plug, end
32	9263045	HD 3	1	Mounting profile
32	9263046	HD 4	1	Mounting profile
32	9263047	HD 5	1	Mounting profile
33	9263013	HD 3	1	Front, aluminium
33	9263008	HD 4	1	Front, aluminium
33	9263004	HD 5	1	Front, aluminium
34	9264112	All models	1	Side-plate, left front
35	9264111	All models	1	Side-plate, right front
36	9264200	All models	1	Cover plate, inner housing
37	9262101S	HD 3	1	Lower window
37	9262103S	HD 4	1	Lower window
37	9262105S	HD 5	1	Lower window
39	9264204	All models	1	Operation panel
40	9263030	HD 3	3	Glass holder
40	9263030	HD 4	4	Glass holder
40	9263030	HD 5	5	Glass holder
41	9261022	All models	1	Strain relief M25
42	9261023	All models	1	Nut, relief strain M25
43	9172403	All models	1	Connecting cable with plug 15-20P
44	9181030	All models	4	Adjustable leg
45	9264090	HD 3	1	Cover profile, inner housing
45	9264085	HD 4	1	Cover profile, inner housing
45	9264075	HD 5	1	Cover profile, inner housing

Item	Part nr.	Model	Qty.	Description	Item	Part nr.	Model	Qty.	Description
46	9264084	All models	1	Side-plate, left	77	9221016	All models	1	Thermostat, Eliwell
47	9264083	All models	1	Side-plate, right	78	9181008	All models	3	Switch, tumble
48	9264091	HD 3	1	Panel, service side	79	9181070	All models	1	Sticker, upper heating
48	9264086	HD 4	1	Panel, service side	80	9181071	All models	1	Sticker, lighting
48	9264076	HD 5	1	Panel, service side	81	9181072	All models	1	Sticker, lower heating
49	9260240	HD 3	2	Back panel	85	9181036	All models	1	Transformer 230-12 V
49	9260242	HD 4	2	Back panel	86	9264100	All models	1	Mounting plate, electrical components
49	9260244	HD 5	2	Back panel	90	9264113	All models	1	Cover plate, electric components
50	9264223	HD 3	1	Plateau	91	0141204	All models	2	Screw M 4x16, SS cross recess head (philips)
50	9264213	HD 4	1	Plateau	92	9044205	All models	3	Fuse holder
50	9264205	HD 5	1	Plateau	93	9262071	All models	2	Fuse SC15, 15A
51	9265017	All models	1	Side panel, left	94	9181049	All models	1	Fuse SC2.5, 2.5A
52	9265018	All models	1	Side panel, right	101	9182017	All models	2	Heating element 208 V, 1500 W
53	9264000	All models	2	Side panel, frame	102	0169197	All models	4	Gasket, heating element
54	9264002	All models	1	Support	103	0169189	All models	4	Nut, heating element
55	9264007	HD 3	3	Support, frame	104	9264020	All models	2	Air deflector
55	9264005	HD 4	3	Support, frame	105	3701027	All models	6	Pop rivet 3,2 mm SS
55	9264001	HD 5	3	Support, frame	106	9221020	All models	1	Temperature sensor PTC 1K
56	9264008	HD 3	1	Cover plate	107	9224121	All models	1	Sensor holder
56	9264006	HD 4	1	Cover plate	108	9264021	All models	4	Clamping profile
56	9264004	HD 5	1	Cover plate	109	9181042	All models	2	Blower 60Hz
57	9123492	All models	1	Indication plate	110	9262070	All models	1	Terminal block with bracket
59	9264115	All models	1	Cover plate, strain relief	111	9044564	All models	1	Connecting block, 1,2,3
70	9264072	HD 3	1	Reflector	112	9044572	All models	1	Connecting block, 4,5,6
70	9264067	HD 4	1	Reflector	113	3500069	All models	1	Contactora
70	9264058	HD 5	1	Reflector	114	0141204	All models	2	Screw M 4x16, SS cross recess head (philips)
71	9265022	HD 3	1	Mounting plate, ceramic element	115	0142307	All models	2	Nut M 4 SS
71	9265021	HD 4	1	Mounting plate, ceramic element	116	9263020	All models	1	Drain pipe
71	9265020	HD 5	1	Mounting plate, ceramic element	117	9182065	All models	1	Seal ring
72	9181065	HD 3	3	Heating element, Ceramic, 150 W	118	9008542	All models	1	Nut M 12 SS
72	9181065	HD 4	4	Heating element, Ceramic, 150 W	119	9260421	HD 3	1	Air deflector
72	9181065	HD 5	5	Heating element, Ceramic, 150 W	119	9260416	HD 4	1	Air deflector
73	9262045	HD 3	2	Protection, lamp	119	9260411	HD 5	1	Air deflector
73	9262045	HD 4	3	Protection, lamp	120	9264044	HD 3	1	Protection plate
73	9262045	HD 5	4	Protection, lamp	120	9264038	HD 4	1	Protection plate
74	9264060	HD 3	2	Bracket, lamp holder	120	9264019	HD 5	1	Protection plate
74	9264060	HD 4	3	Bracket, lamp holder	122	0142307	All models	6	Nut M 4 SS
74	9264060	HD 5	4	Bracket, lamp holder	123	9181035	All models	1	Ring core transformer 208-230 V
75	9211016	HD 3	2	Lamp holder	124	9261029	HD 3	2	Wingscrew M 5x10
75	9211016	HD 4	3	Lamp holder	124	9261029	HD 4	3	Wingscrew M 5x10
75	9211016	HD 5	4	Lamp holder	124	9261029	HD 5	4	Wingscrew M 5x10
76	9261002	HD 3	2	Lamp, Halogen 100 W					
76	9261002	HD 4	3	Lamp, Halogen 100 W					
76	9261002	HD 5	4	Lamp, Halogen 100 W					

HOT DELI 3-4-5 SELF SERVICE ASSEMBLY DRAWING



HOT DELI 3-4-5 SELF SERVICE COMPONENTS DRAWING



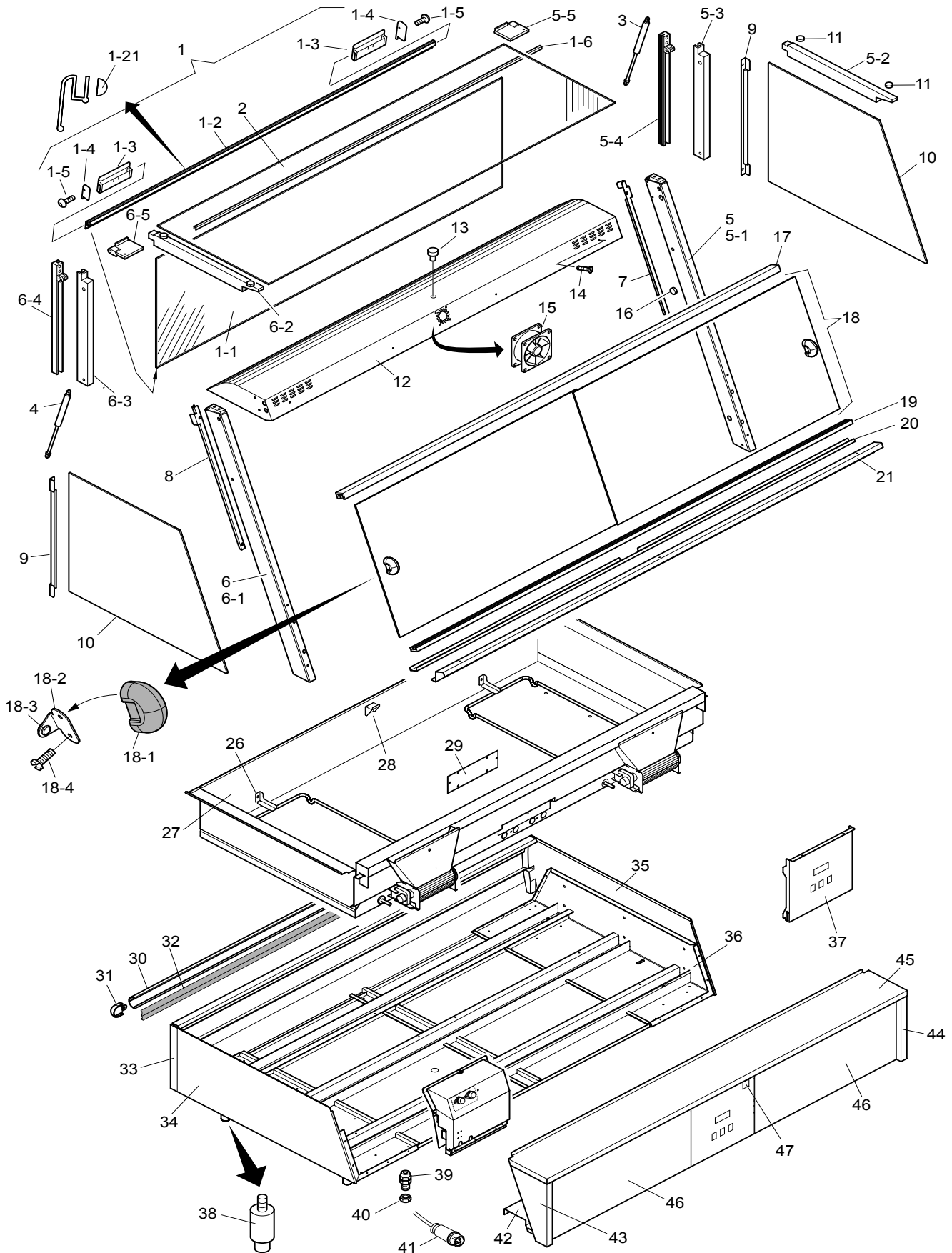
Item	Part nr.	Model	Qty.	Description
1	9260230S	HD 3	1	Glass, bended, complete with profiles
1	9260231S	HD 4	1	Glass, bended, complete with profiles
1	9260232S	HD 5	1	Glass, bended, complete with profiles
1-1	HD 3	1	Glass, bended, without profiles
1-1	HD 4	1	Glass, bended, without profiles
1-1	HD 5	1	Glass, bended, without profiles
1-2	9263011	HD 3	1	Glass handle
1-2	9263006	HD 4	1	Glass handle
1-2	9263002	HD 5	1	Glass handle
1-3	9261024	HD 3	1.1 m.	Protection profile (plastic)
1-3	9261024	HD 4	1.5 m.	Protection profile (plastic)
1-3	9261024	HD 5	1.8 m.	Protection profile (plastic)
1-4	9264595	All models	2	Magnet holder
1-5	9264596	All models	2	Cover plate
1-6	9191182	All models	2	Magnet block
1-7	4288324	All models	2	Screw M 4x8, SS socket button head
2	9263010	HD 3	1	Mounting profile, glass
2	9263005	HD 4	1	Mounting profile, glass
2	9263001	HD 5	1	Mounting profile, glass
3	9261027	All models		Socket set screw M6x8, Torx, stainless steel
4	9262034	All models	2	Cover plate
5	4288324	All models	2	Screw M 4x8, SS socket button head
6	9262022S	All models	1	Sideglass right
7	9262023S	All models	1	Sideglass left
8	9264071	HD 3	1	Light fixture
8	9264066	HD 4	1	Light fixture
8	9264057	HD 5	1	Light fixture
9	9261011	All models	1	Blower
10	4288322	All models	8	Screw M5 x 10, SS socket button head
11	9264062	All models	1	Profile, sideglass right
12	9264063	All models	1	Profile, sideglass left
13	9262005	All models	1	Console left, ass.
14	9262004	All models	1	Console right, ass.
15	9241000	All models	2	Bumper, console (20 pieces)
16	8031843	HD 3	2	Gas spring 500 N
16	9261021	HD 4	2	Gas spring 700 N
16	8031819	HD 5	2	Gas spring 850 N
17	9264073	HD 3	1	Clamping profile
17	9264068	HD 4	1	Clamping profile
17	9264059	HD 5	1	Clamping profile
18	9262032	HD 3	1	Profile, sliding door, top

Item	Part nr.	Model	Qty.	Description
18	9262030	HD 4	1	Profile, sliding door, top
18	9262028	HD 5	1	Profile, sliding door, top
19	9260262S	HD 3	2	Sliding door, assembly
19	9260263S	HD 4	2	Sliding door, assembly
19	9262024S	HD 5	2	Sliding door, assembly
19-1	8065038	All models	2	Door handle
19-2	9184253	All models	2	Bumper profile
19-3	9086207	All models	2	Bumper
19-4	0147674	All models	4	Screw M 4x25, SS cross recess head (philips)
24	9262033	HD 3	1	Profile, sliding door, bottom
24	9262031	HD 4	1	Profile, sliding door, bottom
24	9262029	HD 5	1	Profile, sliding door, bottom
25	9264070	HD 3	1	Holder, sliding door profile
25	9264065	HD 4	1	Holder, sliding door profile
25	9264056	HD 5	1	Holder, sliding door profile
26	9264045	HD 3	1	Airsuction profile
26	9264039	HD 4	1	Airsuction profile
26	9264022	HD 5	1	Airsuction profile
27	9264017	All models	2	Bracket, heating element
28	9264018	All models	1	Support, tray frame
29	9260420	HD 3	1	Inner housing
29	9260415	HD 4	1	Inner housing
29	9260410	HD 5	1	Inner housing
30	9263040	HD 3	1	Protection profile (plastic)
30	9263041	HD 4	1	Protection profile (plastic)
30	9263042	HD 5	1	Protection profile (plastic)
31	8071036	All models	2	Plug, end
32	9263045	HD 3	1	Mounting profile
32	9263046	HD 4	1	Mounting profile
32	9263047	HD 5	1	Mounting profile
33	9263012	HD 3	1	Front, aluminium
33	9263007	HD 4	1	Front, aluminium
33	9263003	HD 5	1	Front, aluminium
34	9264112	All models	1	Side-plate, left front
35	9264111	All models	1	Side-plate, right front
36	9264200	All models	1	Cover plate, inner housing
39	9264204	All models	1	Operation panel
41	9261022	All models	1	Strain relief M25
42	9261023	All models	1	Nut, relief strain M25
43	9172403	All models	1	Connecting cable with plug 15-20P
44	9181030	All models	4	Adjustable leg
45	9264090	HD 3	1	Cover profile, inner housing
45	9264085	HD 4	1	Cover profile, inner housing
45	9264075	HD 5	1	Cover profile, inner housing
46	9264084	All models	1	Side-plate, left
47	9264083	All models	1	Side-plate, right
48	9264091	HD 3	1	Panel, service side

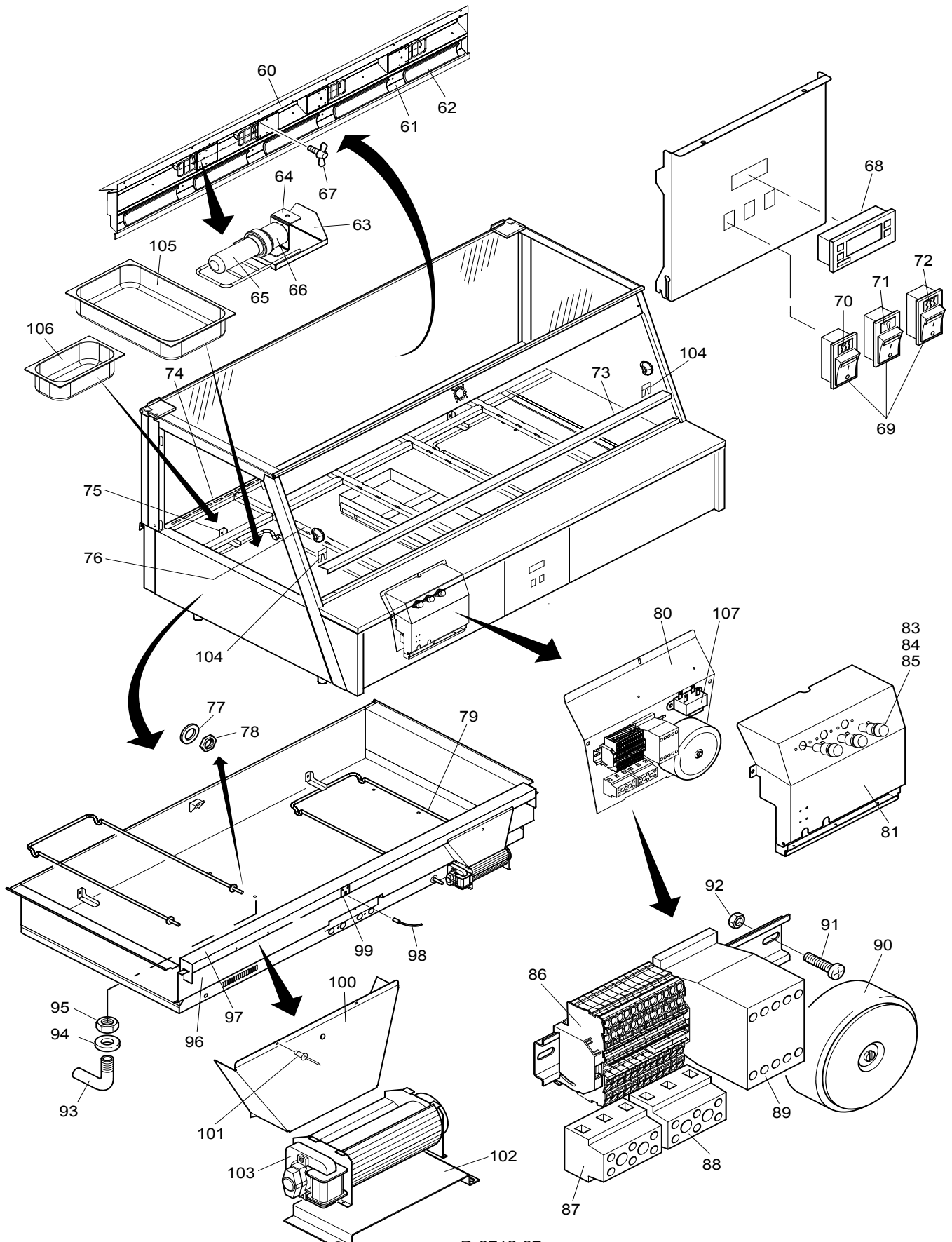
Item	Part nr.	Model	Qty.	Description
48	9264086	HD 4	1	Panel, service side
48	9264076	HD 5	1	Panel, service side
49	9260240	HD 3	2	Back panel
49	9260242	HD 4	2	Back panel
49	9260244	HD 5	2	Back panel
51	9265017	All models	1	Side panel, left
52	9265018	All models	1	Side panel, right
53	9264000	All models	2	Side panel, frame
54	9264002	All models	1	Support
55	9264007	HD 3	3	Support, frame
55	9264005	HD 4	3	Support, frame
55	9264001	HD 5	3	Support, frame
56	9264008	HD 3	1	Cover plate
56	9264006	HD 4	1	Cover plate
56	9264004	HD 5	1	Cover plate
57	9123492	All models	1	Indication plate
58	9264115	All models	1	Cover plate, strain relief
70	9264072	HD 3	1	Reflector
70	9264067	HD 4	1	Reflector
70	9264058	HD 5	1	Reflector
71	9265022	HD 3	1	Mounting plate, ceramic element
71	9265021	HD 4	1	Mounting plate, ceramic element
71	9265020	HD 5	1	Mounting plate, ceramic element
72	9181065	HD 3	3	Heating element, Ceramic, 150 W
72	9181065	HD 4	4	Heating element, Ceramic, 150 W
72	9181065	HD 5	5	Heating element, Ceramic, 150 W
73	9262045	HD 3	2	Protection, lamp
73	9262045	HD 4	3	Protection, lamp
73	9262045	HD 5	4	Protection, lamp
74	9264060	HD 3	2	Bracket, lamp holder
74	9264060	HD 4	3	Bracket, lamp holder
74	9264060	HD 5	4	Bracket, lamp holder
75	9211016	HD 3	2	Lamp holder
75	9211016	HD 4	3	Lamp holder
75	9211016	HD 5	4	Lamp holder
76	9261002	HD 3	2	Lamp, Halogen 100 W
76	9261002	HD 4	3	Lamp, Halogen 100 W
76	9261002	HD 5	4	Lamp, Halogen 100 W
77	9221016	All models	1	Thermostat, Eliwell
78	9181008	All models	3	Switch, tumble
79	9181070	All models	1	Sticker, upper heating
80	9181071	All models	1	Sticker, lighting
81	9181072	All models	1	Sticker, lower heating
82	9264046	HD 3	1	Exhaust profil

Item	Part nr.	Model	Qty.	Description
82	9264040	HD 4	1	Exhaust profil
82	9264023	HD 5	1	Exhaust profil
83	9264025	HD 3	3	Profile, tray frame, small
83	9264025	HD 4	4	Profile, tray frame, small
83	9264025	HD 5	5	Profile, tray frame, small
84	9264024	HD 3	2	Profile, tray frame, long
84	9264024	HD 4	3	Profile, tray frame, long
84	9264024	HD 5	4	Profile, tray frame, long
85	9181036	All models	1	Transformer 230-12 V
86	9264100	All models	1	Mounting plate, electrical components
90	9264113	All models	1	Cover plate, electric components
91	0141204	All models	2	Screw M 4x16, SS cross recess head (philips)
92	9044205	All models	3	Fuse holder
93	9262071	All models	2	Fuse SC15, 15A
94	9181049	All models	1	Fuse SC2.5, 2.5A
101	9182017	All models	2	Heating element 208V, 1500W
102	0169197	All models	4	Gasket, heating element
103	0169189	All models	4	Nut, heating element
104	9264181	All models	2	Air deflector
105	3701027	All models	6	Pop rivet 3,2 mm SS
106	9221020	All models	1	Temperature sensor
108	9264180	All models	2	Mounting bracket
109	9261061	All models	2	Blower 50...60 Hz
110	9262070	All models	1	Terminal block with bracket
111	9044564	All models	1	Connecting block, 1,2,3
112	9044572	All models	1	Connecting block, 4,5,6
113	3500069	All models	1	Contactora
114	0141204	All models	2	Screw M 4x16, SS cross recess head (philips)
115	0142307	All models	2	Nut M 4 SS
116	9263020	All models	1	Drain pipe
117	9182065	All models	1	Seal ring
118	9008542	All models	1	Nut M 12 SS
119	9260421	HD 3	1	Air deflector
119	9260416	HD 4	1	Air deflector
119	9260411	HD 5	1	Air deflector
120	9264044	HD 3	1	Protection plate
120	9264038	HD 4	1	Protection plate
120	9264019	HD 5	1	Protection plate
122	0142307	All models	6	Nut M 4 SS
123	9181035	All models	1	Ring core transformer 208-230V
124	9264493	All models	4	Bracket
125	9264494	HD 3	1	Cover profile
125	9264497	HD 4	1	Cover profile
125	9264498	HD 5	1	Cover profile

HOT DELI 3-4-5 FULL SERVICE SQUARE ASSEMBLY DRAWING



HOT DELI 3-4-5 FULL SERVICE SQUARE COMPONENTS DRAWING



Item	Part number	Model	Qty	Description
1	92621515	HD 3	1	Glass, front, complete with profiles
1	92621545	HD 4	1	Glass, front, complete with profiles
1	92621565	HD 5	1	Glass, front, complete with profiles
1-1	HD 3	1	Glass, front, without profiles
1-1	HD 4	1	Glass, front, without profiles
1-1	HD 5	1	Glass, front, without profiles
1-2	9263011	HD 3	1	Glass handle
1-2	9263006	HD 4	1	Glass handle
1-2	9263002	HD 5	1	Glass handle
1-21	9262460	HD 3	1,1 mtr	Foam rubber
1-21	9262460	HD 4	1,5 mtr	Foam rubber
1-21	9262460	HD 5	1,8 mtr	Foam rubber
1-3	9264595	All models	2	Magnet holder
1-4	9264596	All models	2	Cover plate
1-5	4288324	All models	2	Screw M 4x8, SS socket button head
1-6	9263049	HD 3	1	Protection profile (plastic)
1-6	9263055	HD 4	1	Protection profile (plastic)
1-6	9263056	HD 5	1	Protection profile (plastic)
2	92621745	HD 3	1	Glass, top side, layered
2	92621735	HD 4	1	Glass, top side, layered
2	92621755	HD 5	1	Glass, top side, layered
3	9262161	HD 3	1	Gas spring 300 N
3	9262161	HD 4	1	Gas spring 300 N
3	9262162	HD 5	1	Gas spring 400 N
4	9262161	HD 3	1	Gas spring 300 N
4	9262162	HD 4	1	Gas spring 400 N
4	9262162	HD 5	1	Gas spring 400 N
5	9262304	All models	1	Console right, ass.
5-6	9268365	All models	set	Various fastening materials for consoles
6	9262305	All models	1	Console left, ass.
6-6	9268365	All models	set	Various fastening materials for consoles
7	9265105	All models	1	Holder, sideglass right
8	9265104	All models	1	Holder, sideglass left
9	9265111	All models	2	Holder, sideglass front
10	92621525	All models	2	Side glass
11	All models	4	Protection cap
12	9264071	HD 3	1	Light fixture
12	9264066	HD 4	1	Light fixture
12	9264057	HD 5	1	Light fixture

Item	Part number	Model	Qty	Description
13	9263022	All models	1	Plug, top glass
14	4288322	All models	8	Screw M5 x 10, SS socket button head
15	9261011	All models	1	Blower
16	9241000	All models	2	Bumper, console (20 pieces)
17	9262032	HD 3	1	Profile, sliding door, top
17	9262030	HD 4	1	Profile, sliding door, top
17	9262028	HD 5	1	Profile, sliding door, top
18	92620265	HD 3	2	Glass, sliding door
18	92620255	HD 4	2	Glass, sliding door
18	92620245	HD 5	2	Glass, sliding door
18-1	8065038	All models	2	Door handle
18-2	9184253	All models	2	Bumper profile
18-3	9086207	All models	2	Bumper
18-4	0147674	All models	4	Screw M 4x25, SS cross recess head (philips)
19	9262033	HD 3	1	Profile, sliding door, bottom
19	9262031	HD 4	1	Profile, sliding door, bottom
19	9262029	HD 5	1	Profile, sliding door, bottom
20	9264070	HD 3	1	Holder, sliding door profile
20	9264065	HD 4	1	Holder, sliding door profile
20	9264056	HD 5	1	Holder, sliding door profile
21	9264045	HD 3	1	Airsuction profile
21	9264039	HD 4	1	Airsuction profile
21	9264022	HD 5	1	Airsuction profile
26	9264017	All models	2	Bracket, heating element
27	9260420	HD 3	1	Inner housing
27	9260415	HD 4	1	Inner housing
27	9260410	HD 5	1	Inner housing
28	9264018	All models	1	Support, tray frame
29	9264200	All models	1	Cover plate, inner housing
30	9263040	HD 3	1	Protection profile (plastic)
30	9263041	HD 4	1	Protection profile (plastic)
30	9263042	HD 5	1	Protection profile (plastic)
31	8071036	All models	2	Plug, end
32	9263045	HD 3	1	Mounting profile
32	9263046	HD 4	1	Mounting profile
32	9263047	HD 5	1	Mounting profile
33	9265108	HD 3	1	Front panel
33	9265109	HD 4	1	Front panel
33	9265110	HD 5	1	Front panel
34	9265102	All models	1	Side panel, left
35	9265103	All models	1	Side panel, right

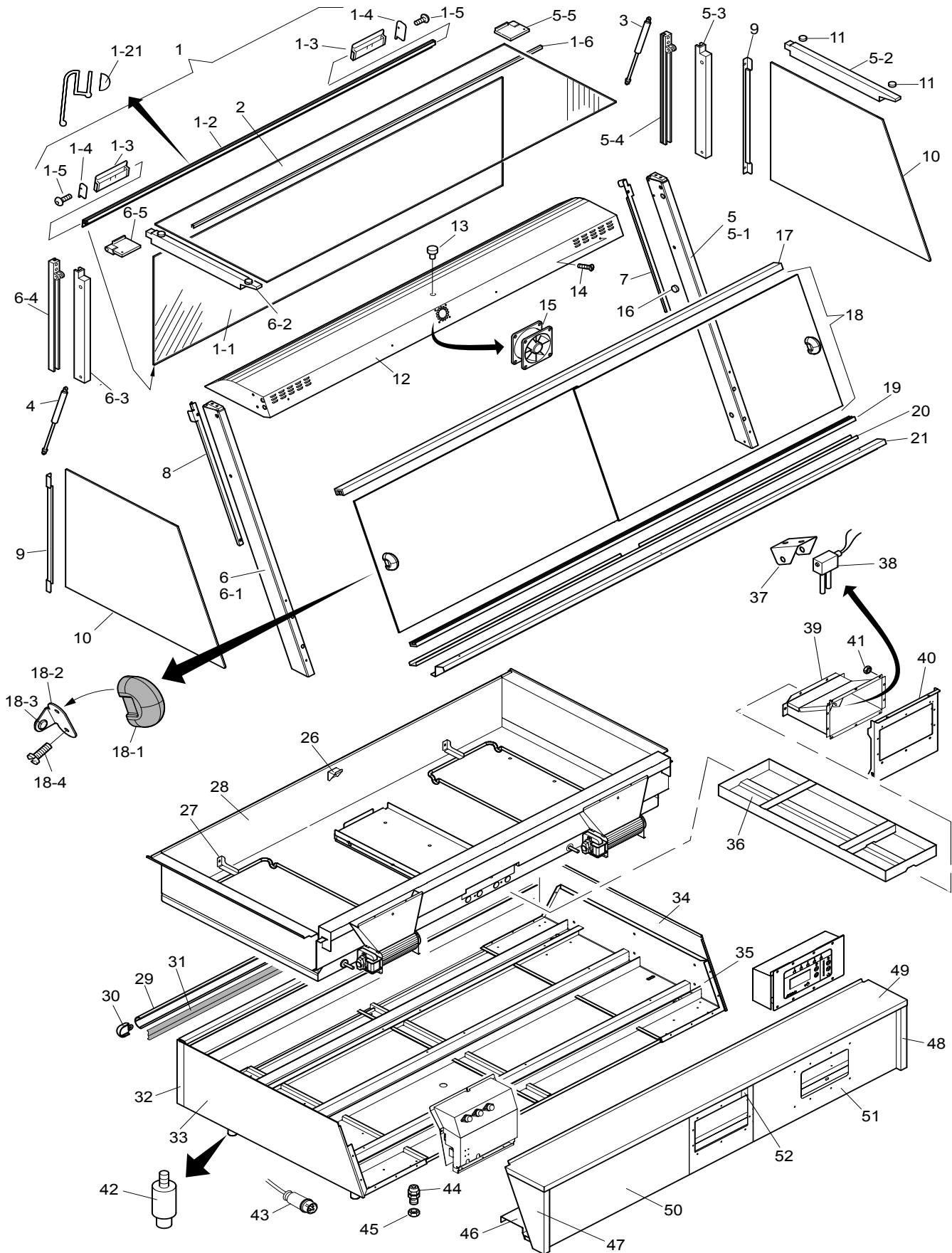
Item	Part number	Model	Qty	Description
36	9264000	All models	2	Side panel, frame
37	9264204	All models	1	Operation panel
38	9181030	All models	4	Adjustable leg
39	9261022	All models	1	Strain relief M25
40	9261023	All models	1	Nut, strain relief M25
41	9172403	All models	1	Connecting cable with plug 15-20P
42	9264090	HD 3	1	Cover profile, inner housing
42	9264085	HD 4	1	Cover profile, inner housing
42	9264075	HD 5	1	Cover profile, inner housing
43	9264084	All models	1	Side-plate, left
44	9264083	All models	1	Side-plate, right
45	9264091	HD 3	1	Panel, service side
45	9264086	HD 4	1	Panel, service side
45	9264076	HD 5	1	Panel, service side
46	9260240	HD 3	2	Back panel
46	9260242	HD 4	2	Back panel
46	9260244	HD 5	2	Back panel
47	9123492	All models	1	Indication plate
60	9264072	HD 3	1	Reflector
60	9264067	HD 4	1	Reflector
60	9264058	HD 5	1	Reflector
61	9265022	HD 3	1	Mounting plate, ceramic element
61	9265021	HD 4	1	Mounting plate, ceramic element
61	9265020	HD 5	1	Mounting plate, ceramic element
62	9181065	HD 3	3	Heating element, Ceramic, 150 W
62	9181065	HD 4	4	Heating element, Ceramic, 150 W
62	9181065	HD 5	5	Heating element, Ceramic, 150 W
63	9262045	HD 3	2	Protection, lamp
63	9262045	HD 4	3	Protection, lamp
63	9262045	HD 5	4	Protection, lamp
64	9264060	HD 3	2	Bracket, lamp holder
64	9264060	HD 4	3	Bracket, lamp holder
64	9264060	HD 5	4	Bracket, lamp holder
65	9261002	HD 3	2	Lamp, Halogen 100 W
65	9261002	HD 4	3	Lamp, Halogen 100 W
65	9261002	HD 5	4	Lamp, Halogen 100 W
66	9211016	HD 3	2	Lamp holder
66	9211016	HD 4	3	Lamp holder
66	9211016	HD 5	4	Lamp holder
67	9261029	HD 3	2	Wingscrew M5x10, SS
67	9261029	HD 4	3	Wingscrew M5x10, SS

Item	Part number	Model	Qty	Description
67	9261029	HD 5	4	Wingscrew M5x10, SS
68	9221016	All models	1	Thermostat, Eliwell
69	9181008	All models	3	Switch, tumble
70	9181070	All models	1	Sticker, upper heating
71	9181071	All models	1	Sticker, lighting
72	9181072	All models	1	Sticker, lower heating
73	9264494	HD 3	1	Cover profile
73	9264497	HD 4	1	Cover profile
73	9264498	HD 5	1	Cover profile
74	9264046	HD 3	1	Exhaust profile
74	9264040	HD 4	1	Exhaust profile
74	9264023	HD 5	1	Exhaust profile
75	9264025	HD 3	3	Profile, tray frame, small
75	9264025	HD 4	4	Profile, tray frame, small
75	9264025	HD 5	5	Profile, tray frame, small
76	9264024	HD 3	2	Profile, tray frame, long
76	9264024	HD 4	3	Profile, tray frame, long
76	9264024	HD 5	4	Profile, tray frame, long
77	0169197	All models	4	Gasket, heating element
78	0169189	All models	4	Nut, heating element
79	9182017	All models	2	Heating element, 1500 W 208 V
80	9264100	All models	1	Mounting plate, electrical components
81	9264113	All models	1	Cover plate, electric components
83	9044205	All models	3	Fuse holder
84	9262071	All models	2	Fuse SC15, 15A
85	9181049	All models	1	Fuse SC 2.5, 2.5A
86	9262070	All models	1	Terminal block with bracket
87	9044564	All models	1	Connecting block, 1,2,3
88	9044572	All models	1	Connecting block, 4,5,6
89	3500069	All models	1	Contacto
90	9181035	All models	1	Ring core transformer 208-230 V
91	0141204	All models	2	Screw M 4x16, SS cross recess head (philips)
92	0142307	All models	2	Nut M 4 SS
93	9263020	All models	1	Drain pipe
94	9182065	All models	1	Seal ring
95	9008542	All models	1	Nut M 12 SS
96	9264044	HD 3	1	Protection plate
96	9264038	HD 4	1	Protection plate
96	9264019	HD 5	1	Protection plate
97	9260421	HD 3	1	Air deflector
97	9260416	HD 4	1	Air deflector
97	9260411	HD 5	1	Air deflector
98	9221020	All models	1	Temperature sensor
99	9224121	All models	1	Sensor holder

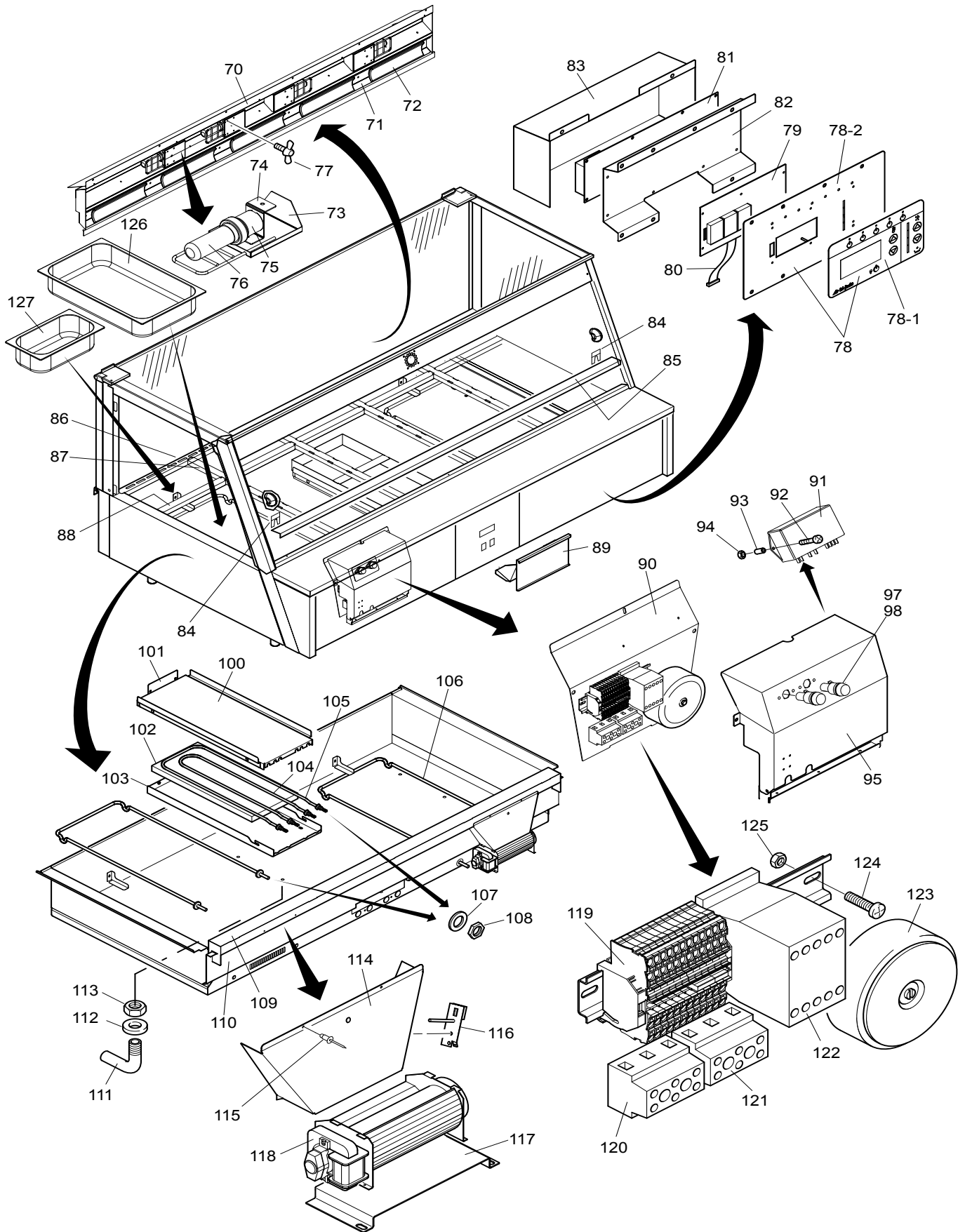
Item	Part number	Model	Qty	Description
100	9264181	All models	2	Air deflector
101	3701027	All models	6	Pop rivet 3,2 mm SS
102	9264180	All models	2	Mounting bracket
103	9261061	All models	2	Blower, 50...60Hz
104	9264493	All models	3	Bracket
105	2104089	HD 3	3	GN tray 1/1, 100 mm
105	2104089	HD 4	4	GN tray 1/1, 100 mm
105	2104089	HD 5	5	GN tray 1/1, 100 mm
106	2104220	HD 3	3	GN tray 1/3, 100 mm
106	2104220	HD 4	4	GN tray 1/3, 100 mm
106	2104220	HD 5	5	GN tray 1/3, 100 mm
107	9181036	All models	1	Transformer 230 - 12V

EMPTY PAGE

HOT DELI 3-4-5 FULL SERVICE HUMIDIFIED SQUARE ASSEMBLY DRAWING



HOT DELI 3-4-5 FULL SERVICE HUMIDIFIED SQUARE COMPONENTS DRAWING



Item	Part number	Model	Qty	Description
1	9262151S	HD 3	1	Glass, front, complete with profiles
1	9262154S	HD 4	1	Glass, front, complete with profiles
1	9262156S	HD 5	1	Glass, front, complete with profiles
1-1	HD 3	1	Glass, front, without profiles
1-1	HD 4	1	Glass, front, without profiles
1-1	HD 5	1	Glass, front, without profiles
1-2	9263011	HD 3	1	Glass handle
1-2	9263006	HD 4	1	Glass handle
1-2	9263002	HD 5	1	Glass handle
1-21	9262460	HD 3	1,1 mtr	Foam rubber
1-21	9262460	HD 4	1,5 mtr	Foam rubber
1-21	9262460	HD 5	1,8 mtr	Foam rubber
1-3	9264595	All models	2	Magnet holder
1-4	9264596	All models	2	Cover plate
1-5	4288324	All models	2	Screw M 4x8, SS socket button head
1-6	9263049	HD 3	1	Protection profile (plastic)
1-6	9263055	HD 4	1	Protection profile (plastic)
1-6	9263056	HD 5	1	Protection profile (plastic)
2	9262174S	HD 3	1	Glass, top side
2	9262173S	HD 4	1	Glass, top side
2	9262175S	HD 5	1	Glass, top side
3	9262161	HD 3	1	Gas spring 300 N
3	9262161	HD 4	1	Gas spring 300 N
3	9262162	HD 5	1	Gas spring 400 N
4	9262161	HD 3	1	Gas spring 300 N
4	9262162	HD 4	1	Gas spring 400 N
4	9262162	HD 5	1	Gas spring 400 N
5	9262304	All models	1	Console right, ass.
5-6	9268365	All models	set	Various fastening materials for consoles
6	9262305	All models	1	Console left, ass.
6-6	9268365	All models	set	Various fastening materials for consoles
7	9265105	All models	1	Holder, sideglass right
8	9265104	All models	1	Holder, sideglass left
9	9265111	All models	2	Holder, sideglass front
10	9262152S	All models	2	Side glass
11	9261056	All models	4	Protection cap
12	9264071	HD 3	1	Light fixture
12	9264066	HD 4	1	Light fixture
12	9264057	HD 5	1	Light fixture

Item	Part number	Model	Qty	Description
13	9263022	All models	1	Plug, top glass
14	4288322	All models	8	Screw M5 x 10, SS socket button head
15	9261011	All models	1	Blower
16	9241000	All models	2	Bumper, console (20 pieces)
17	9262032	HD 3	1	Profile, sliding door, top
17	9262030	HD 4	1	Profile, sliding door, top
17	9262028	HD 5	1	Profile, sliding door, top
18	9262026S	HD 3	2	Glass, sliding door
18	9262025S	HD 4	2	Glass, sliding door
18	9262024S	HD 5	2	Glass, sliding door
18-1	8065038	All models	2	Door handle
18-2	9184253	All models	2	Bumper profile
18-3	9086207	All models	2	Bumper
18-4	0147674	All models	4	Screw M 4x25, SS cross recess head (philips)
19	9262033	HD 3	1	Profile, sliding door, bottom
19	9262031	HD 4	1	Profile, sliding door, bottom
19	9262029	HD 5	1	Profile, sliding door, bottom
20	9264070	HD 3	1	Holder, sliding door profile
20	9264065	HD 4	1	Holder, sliding door profile
20	9264056	HD 5	1	Holder, sliding door profile
21	9264045	HD 3	1	Airsuction profile
21	9264039	HD 4	1	Airsuction profile
21	9264022	HD 5	1	Airsuction profile
22	8065038	All models	2	Door handle
23	9184253	All models	2	Bumper profile
24	9086207	All models	2	Bumper
25	0147674	All models	4	Screw M 4x25, SS cross recess head (philips)
26	9264018	All models	1	Support, tray frame
27	9264017	All models	2	Bracket, heating element
28	9260420	HD 3	1	Inner housing
28	9260415	HD 4	1	Inner housing
28	9260410	HD 5	1	Inner housing
29	9263040	HD 3	1	Protection profile (plastic)
29	9263041	HD 4	1	Protection profile (plastic)
29	9263042	HD 5	1	Protection profile (plastic)
30	8071036	All models	2	Plug, end
31	9263045	HD 3	1	Mounting profile
31	9263046	HD 4	1	Mounting profile
31	9263047	HD 5	1	Mounting profile
32	9265108	HD 3	1	Front panel
32	9265109	HD 4	1	Front panel

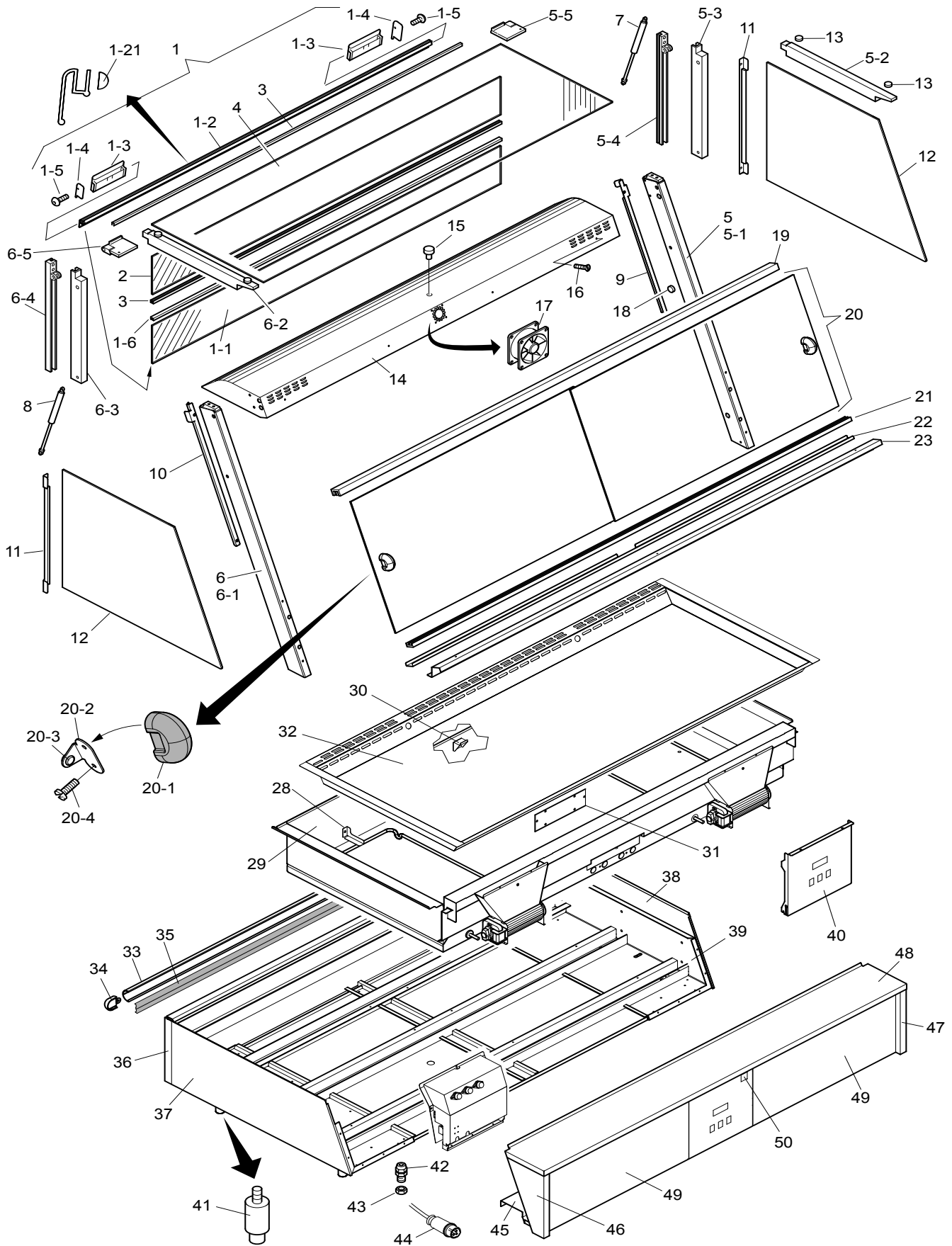
Item	Part number	Model	Qty	Description
32	9265110	HD 5	1	Front panel
33	9265102	All models	1	Side panel, left
34	9265103	All models	1	Side panel, right
35	9264000	All models	2	Side panel, frame
36	9260401	All models	1	Water drawer
37	9264031	All models	1	Bracket, level sensor
38	9262048	All models	1	Water level sensor, ass.
39	9260403	All models	1	Middle section
40	9264078	All models	1	Back panel, middle
41	9087570	All models	10	Nut M 5, serrated
42	9181030	All models	4	Adjustable leg
43	9070028	All models	1	Connecting cable with plug
44	9261022	All models	1	Strain relief M25
45	9261023	All models	1	Nut, relief strain M25
46	9264090	HD 3	1	Cover profile, inner housing
46	9264085	HD 4	1	Cover profile, inner housing
46	9264075	HD 5	1	Cover profile, inner housing
47	9264084	All models	1	Side-plate, left
48	9264083	All models	1	Side-plate, right
49	9264091	HD 3	1	Panel, service side
49	9264086	HD 4	1	Panel, service side
49	9264076	HD 5	1	Panel, service side
50	9260240	HD 3	1	Back panel
50	9260242	HD 4	1	Back panel
50	9260244	HD 5	1	Back panel
51	9260241	HD 3	1	Back panel, right
51	9260243	HD 4	1	Back panel, right
51	9260245	HD 5	1	Back panel, right
52	9123492	All models	1	Indication plate
70	9264072	HD 3	1	Reflector
70	9264067	HD 4	1	Reflector
70	9264058	HD 5	1	Reflector
71	9265022	HD 3	1	Mounting plate, ceramic element
71	9265021	HD 4	1	Mounting plate, ceramic element
71	9265020	HD 5	1	Mounting plate, ceramic element
72	9181065	HD 3	3	Heating element, Ceramic, 150 W
72	9181065	HD 4	4	Heating element, Ceramic, 150 W
72	9181065	HD 5	5	Heating element, Ceramic, 150 W
73	9262045	HD 3	2	Protection, lamp
73	9262045	HD 4	3	Protection, lamp
73	9262045	HD 5	4	Protection, lamp
74	9264060	HD 3	2	Bracket, lamp holder

Item	Part number	Model	Qty	Description
74	9264060	HD 4	3	Bracket, lamp holder
74	9264060	HD 5	4	Bracket, lamp holder
75	9211016	HD 3	2	Lamp holder
75	9211016	HD 4	3	Lamp holder
75	9211016	HD 5	4	Lamp holder
76	9261002	HD 3	2	Lamp, Halogen 100 W
76	9261002	HD 4	3	Lamp, Halogen 100 W
76	9261002	HD 5	4	Lamp, Halogen 100 W
77	9261029	HD 3	2	Wingscrew M5x10, SS
77	9261029	HD 4	3	Wingscrew M5x10, SS
77	9261029	HD 5	4	Wingscrew M5x10, SS
78	9260233	HD 3	1	Keypad + backplate
78	9260234	HD 4	1	Keypad + backplate
78	9260235	HD 5	1	Keypad + backplate
78-1	9262010	HD 3	1	Keypad
78-1	9262011	HD 4	1	Keypad
78-1	9262012	HD 5	1	Keypad
78-2	9264095	All models	1	Backplate
79	9262057	All models	1	CPU/display board
80	9262027	All models	1	Flatcable
81	9262067	All models	1	Power & I/O board
82	9264081	All models	1	Mounting plate
83	9264082	All models	1	Cover
84	9264493	All models	4	Bracket
85	9264494	HD 3	1	Cover profile
85	9264497	HD 4	1	Cover profile
85	9264498	HD 5	1	Cover profile
86	9264046	HD 3	1	Exhaust profile
86	9264040	HD 4	1	Exhaust profile
86	9264023	HD 5	1	Exhaust profile
87	9264024	HD 3	2	Profile, tray frame, long
87	9264024	HD 4	3	Profile, tray frame, long
87	9264024	HD 5	4	Profile, tray frame, long
88	9264025	HD 3	3	Profile, tray frame, small
88	9264025	HD 4	4	Profile, tray frame, small
88	9264025	HD 5	5	Profile, tray frame, small
89	9260404	All models	1	Door, water drawer
90	9264100	All models	1	Mounting plate, electrical components
91	9262072	All models	1	Water level control, electronic
92	0141204	All models	2	Screw M 4x16, SS cross recess head (philips)
93	9040659	All models	2	Spacing pin, nylon
94	0142307	All models	2	Nut M 4 SS
95	9264113	All models	1	Cover plate, electric components
97	9044205	All models	2	Fuse holder
98	9262071	All models	2	Fuse SC15, 15A

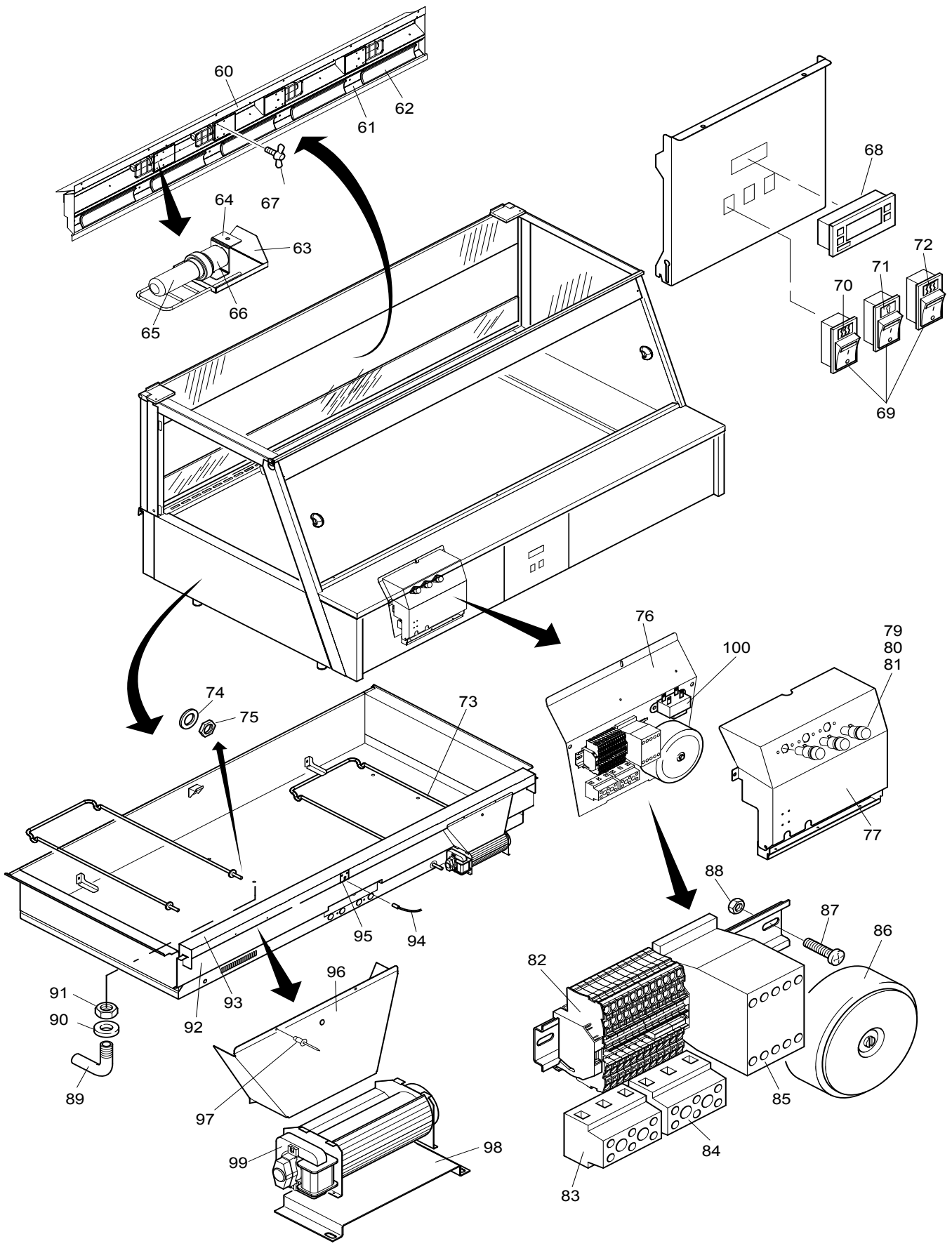
Item	Part number	Model	Qty	Description
100	9260402	All models	1	Cover, housing heating elements
101	9264030	All models	1	End plate, water drawer
102	9264029	All models	1	Cover plate
103	9264026	All models	1	Housing, heating elements
104	9182081	All models	1	Heating element, 300 W
105	9182080	All models	1	Heating element, 600 W
106	9182000	All models	2	Heating element, 1500 W
107	0169197	All models	8	Gasket, heating element
108	0169189	All models	8	Nut, heating element
109	9260421	HD 3	1	Air deflector
109	9260416	HD 4	1	Air deflector
109	9260411	HD 5	1	Air deflector
110	9264044	HD 3	1	Protection plate
110	9264038	HD 4	1	Protection plate
110	9264019	HD 5	1	Protection plate
111	9263020	All models	1	Drain pipe
112	9182065	All models	1	Seal ring
113	9008542	All models	1	Nut M 12 SS
114	9264181	All models	2	Air deflector
115	3701027	All models	6	Pop rivet 3,2 mm SS
116	9172310	All models	1	Temperature sensor PT 1000
117	9264180	All models	2	Mounting bracket
118	9261061	All models	2	Blower 50...60 Hz
119	9262070	All models	1	Terminal block with bracket
120	9044564	All models	1	Connecting block, 1,2,3
121	9044572	All models	1	Connecting block, 4,5,6
122	3500069	All models	1	Contactora
123	9181035	All models	1	Ring core transformer 208-230 V
124	0141204	All models	2	Screw M 4x16, SS cross recess head (philips)
125	0142307	All models	2	Nut M 4 SS
126	2104089	HD 3	3	GN tray 1/1, 100 mm
126	2104089	HD 4	4	GN tray 1/1, 100 mm
126	2104089	HD 5	5	GN tray 1/1, 100 mm
127	2104220	HD 3	3	GN tray 1/3, 100 mm
127	2104220	HD 4	4	GN tray 1/3, 100 mm
127	2104220	HD 5	5	GN tray 1/3, 100 mm

EMPTY PAGE

HOT DELI 3-4-5 SELF SERVICE SQUARE ASSEMBLY DRAWING



HOT DELI 3-4-5 SELF SERVICE SQUARE COMPONENTS DRAWING



Item	Part number	Model	Qty	Description
1	926....S	HD 3	1	Glass, front bottom side, complete with profiles
1	926....S	HD 4	1	Glass, front bottom side, complete with profiles
1	926....S	HD 5	1	Glass, front bottom side, complete with profiles
1-1	HD 3	1	Glass, front bottom side, without profiles
1-1	HD 4	1	Glass, front bottom side, without profiles
1-1	HD 5	1	Glass, front bottom side, without profiles
1-2	9263011	HD 3	1	Glass handle
1-2	9263006	HD 4	1	Glass handle
1-2	9263002	HD 5	1	Glass handle
1-21	9262460	HD 3	1,1 mtr	Foam rubber
1-21	9262460	HD 4	1,5 mtr	Foam rubber
1-21	9262460	HD 5	1,8 mtr	Foam rubber
1-3	9264595	All models	2	Magnet holder
1-4	9264596	All models	2	Cover plate
1-5	4288324	All models	2	Screw M 4x8, SS socket button head
1-6	9263049	HD 3	1	Protection profile (plastic)
1-6	9263055	HD 4	1	Protection profile (plastic)
1-6	9263056	HD 5	1	Protection profile (plastic)
2	9262431	HD 3	1	Glass, front top side
2	9262435	HD 4	1	Glass, front top side
2	9262433	HD 5	1	Glass, front top side
3	9263049	HD 3	2	Protection profile (plastic)
3	9263055	HD 4	2	Protection profile (plastic)
3	9263056	HD 5	2	Protection profile (plastic)
4	9262174S	HD 3	1	Glass, top side
4	9262173S	HD 4	1	Glass, top side
4	9262175S	HD 5	1	Glass, top side
5	9263204	All models	1	Console right, ass.
5-6	9268365	All models	set	Various fastening materials for consoles
6	9263205	All models	1	Console left, ass.
6-6	9268365	All models	set	Various fastening materials for consoles
7	9262159	HD 3	1	Gas spring 100 N
7	9262159	HD 4	1	Gas spring 100 N
7	9262161	HD 5	1	Gas spring 300 N
8	9262160	HD 3	1	Gas spring 200 N
8	9262160	HD 4	1	Gas spring 200 N
8	9262161	HD 5	1	Gas spring 300 N
9	9265105	All models	1	Holder, sideglass right
10	9265104	All models	1	Holder, sideglass left
11	9265111	All models	2	Holder, sideglass front
12	9262152S	All models	1	Sideglass

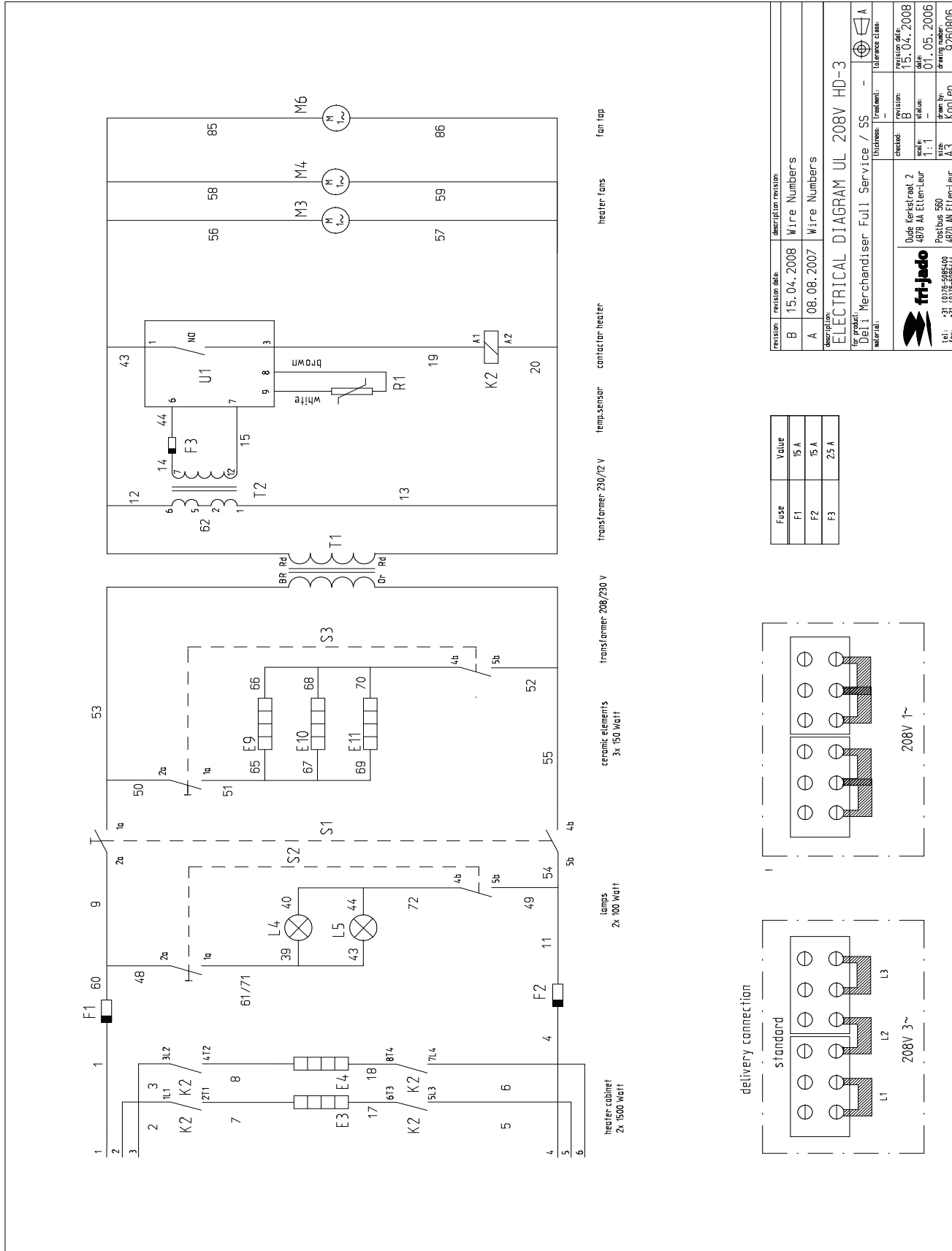
Item	Part number	Model	Qty	Description
13	9261056	All models	4	Protection cap
14	9264071	HD 3	1	Light fixture
14	9264066	HD 4	1	Light fixture
14	9264057	HD 5	1	Light fixture
15	9263022	All models	1	Plug, top glass
16	4288322	All models	8	Screw M5 x 10, SS socket button head
17	9261011	All models	1	Blower
18	9241000	All models	2	Bumper, console (20 pieces)
19	9262032	HD 3	1	Profile, sliding door, top
19	9262030	HD 4	1	Profile, sliding door, top
19	9262028	HD 5	1	Profile, sliding door, top
20	9262026	HD 3	2	Glass, sliding door
20	9262025	HD 4	2	Glass, sliding door
20	9262024	HD 5	2	Glass, sliding door
20-1	8065038	All models	2	Door handle
20-2	9184253	All models	2	Bumper profile
20-3	9086207	All models	2	Bumper
20-4	0147674	All models	4	Screw M 4x25, SS cross recess head (philips)
21	9262033	HD 3	1	Profile, sliding door, bottom
21	9262031	HD 4	1	Profile, sliding door, bottom
21	9262029	HD 5	1	Profile, sliding door, bottom
22	9264070	HD 3	1	Holder, sliding door profile
22	9264065	HD 4	1	Holder, sliding door profile
22	9264056	HD 5	1	Holder, sliding door profile
23	9264045	HD 3	1	Airsuction profile
23	9264039	HD 4	1	Airsuction profile
23	9264022	HD 5	1	Airsuction profile
28	9264017	All models	2	Bracket, heating element
29	9260420	HD 3	1	Inner housing
29	9260415	HD 4	1	Inner housing
29	9260410	HD 5	1	Inner housing
30	9264018	All models	1	Support, tray frame
31	9264200	All models	1	Cover plate, inner housing
32	9264223	HD 3	1	Plateau
32	9264213	HD 4	1	Plateau
32	9264205	HD 5	1	Plateau
33	9263040	HD 3	1	Protection profile (plastic)
33	9263041	HD 4	1	Protection profile (plastic)
33	9263042	HD 5	1	Protection profile (plastic)
34	8071036	All models	2	Plug, end
35	9263045	HD 3	1	Mounting profile
35	9263046	HD 4	1	Mounting profile

Item	Part number	Model	Qty	Description
35	9263047	HD 5	1	Mounting profile
36	9265108	HD 3	1	Front panel
36	9265109	HD 4	1	Front panel
36	9265110	HD 5	1	Front panel
37	9265102	All models	1	Side panel, left
38	9265103	All models	1	Side panel, right
39	9264000	All models	2	Side panel, frame
40	9264204	All models	1	Operation panel
41	9181030	All models	4	Adjustable leg
42	9261022	All models	1	Strain relief M25
43	9261023	All models	1	Nut, relief strain M25
44	9172403	All models	1	Connecting cable with plug 15-20P
45	9264090	HD 3	1	Cover profile, inner housing
45	9264085	HD 4	1	Cover profile, inner housing
45	9264075	HD 5	1	Cover profile, inner housing
46	9264084	All models	1	Side-plate, left
47	9264083	All models	1	Side-plate, right
48	9264091	HD 3	1	Panel, service side
48	9264086	HD 4	1	Panel, service side
48	9264076	HD 5	1	Panel, service side
49	9260240	HD 3	2	Back panel
49	9260242	HD 4	2	Back panel
49	9260244	HD 5	2	Back panel
50	9123492	All models	1	Indication plate
60	9264072	HD 3	1	Reflector
60	9264067	HD 4	1	Reflector
60	9264058	HD 5	1	Reflector
61	9265022	HD 3	1	Mounting plate, ceramic element
61	9265021	HD 4	1	Mounting plate, ceramic element
61	9265020	HD 5	1	Mounting plate, ceramic element
62	9181065	HD 3	3	Heating element, Ceramic, 150 W
62	9181065	HD 4	4	Heating element, Ceramic, 150 W
62	9181065	HD 5	5	Heating element, Ceramic, 150 W
63	9262045	HD 3	2	Protection, lamp
63	9262045	HD 4	3	Protection, lamp
63	9262045	HD 5	4	Protection, lamp
64	9264060	HD 3	2	Bracket, lamp holder
64	9264060	HD 4	3	Bracket, lamp holder
64	9264060	HD 5	4	Bracket, lamp holder
65	9261002	HD 3	2	Lamp, Halogen 100 W
65	9261002	HD 4	3	Lamp, Halogen 100 W
65	9261002	HD 5	4	Lamp, Halogen 100 W

Item	Part number	Model	Qty	Description
66	9211016	HD 3	2	Lamp holder
66	9211016	HD 4	3	Lamp holder
66	9211016	HD 5	4	Lamp holder
67	9261029	HD 3	2	Wingscrew M5x10, SS
67	9261029	HD 4	3	Wingscrew M5x10, SS
67	9261029	HD 5	4	Wingscrew M5x10, SS
68	9221016	All models	1	Thermostat, Eliwell
69	9181008	All models	3	Switch, tumble
70	9181070	All models	1	Sticker, upper heating
71	9181071	All models	1	Sticker, lighting
72	9181072	All models	1	Sticker, lower heating
73	9182017	All models	2	Heating element, 208 V, 1500 W
74	0169197	All models	4	Gasket, heating element
75	0169189	All models	4	Nut, heating element
76	9264100	All models	1	Mounting plate, electrical components
77	9264113	All models	1	Cover plate, electric components
78	0141204	All models	2	Screw M 4x16, SS cross recess head (philips)
79	9044205	All models	3	Fuse holder
80	9262071	All models	2	Fuse SC15, 15A
81	9181049	All models	1	Fuse SC 2.5, 2.5A
82	9262070	All models	1	Terminal block with bracket
83	9044564	All models	1	Connecting block, 1,2,3
84	9044572	All models	1	Connecting block, 4,5,6
85	3500069	All models	1	Contactora
86	9181035	All models	1	Ring core transformer 208-230 V
87	0141204	All models	2	Screw M 4x16, SS cross recess head (philips)
88	0142307	All models	2	Nut M 4 SS
89	9263020	All models	1	Drain pipe
90	9182065	All models	1	Seal ring
91	9008542	All models	1	Nut M 12 SS
92	9264044	HD 3	1	Protection plate
92	9264038	HD 4	1	Protection plate
92	9264019	HD 5	1	Protection plate
93	9260421	HD 3	1	Air deflector
93	9260416	HD 4	1	Air deflector
93	9260411	HD 5	1	Air deflector
94	9221020	All models	1	Temperature sensor
95	9224121	All models	1	Sensor holder
96	9264181	All models	2	Air deflector
97	3701027	All models	6	Pop rivet 3,2 mm SS
98	9264180	All models	2	Mounting bracket
99	9261061	All models	2	Blower, 50...60Hz
100	9181036	All models	1	Transformer 230 - 12V

ELECTRICAL DIAGRAMS

CIRCUIT DIAGRAM HD 3 FULL & SELF SERVICE



revision	revision date	description / revision
B	15.04.2008	Wire Numbers
A	08.08.2007	Wire Numbers

description: **ELECTRICAL DIAGRAM UL 208V HD-3**
 for product: **Deli Merchandiser Full Service / SS**
 material:

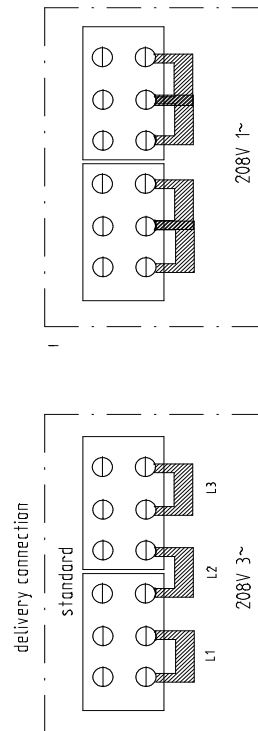
checked:	revision:	revision date:
—	B	15.04.2008

scale:	status:	date:
1:1	—	01.05.2006

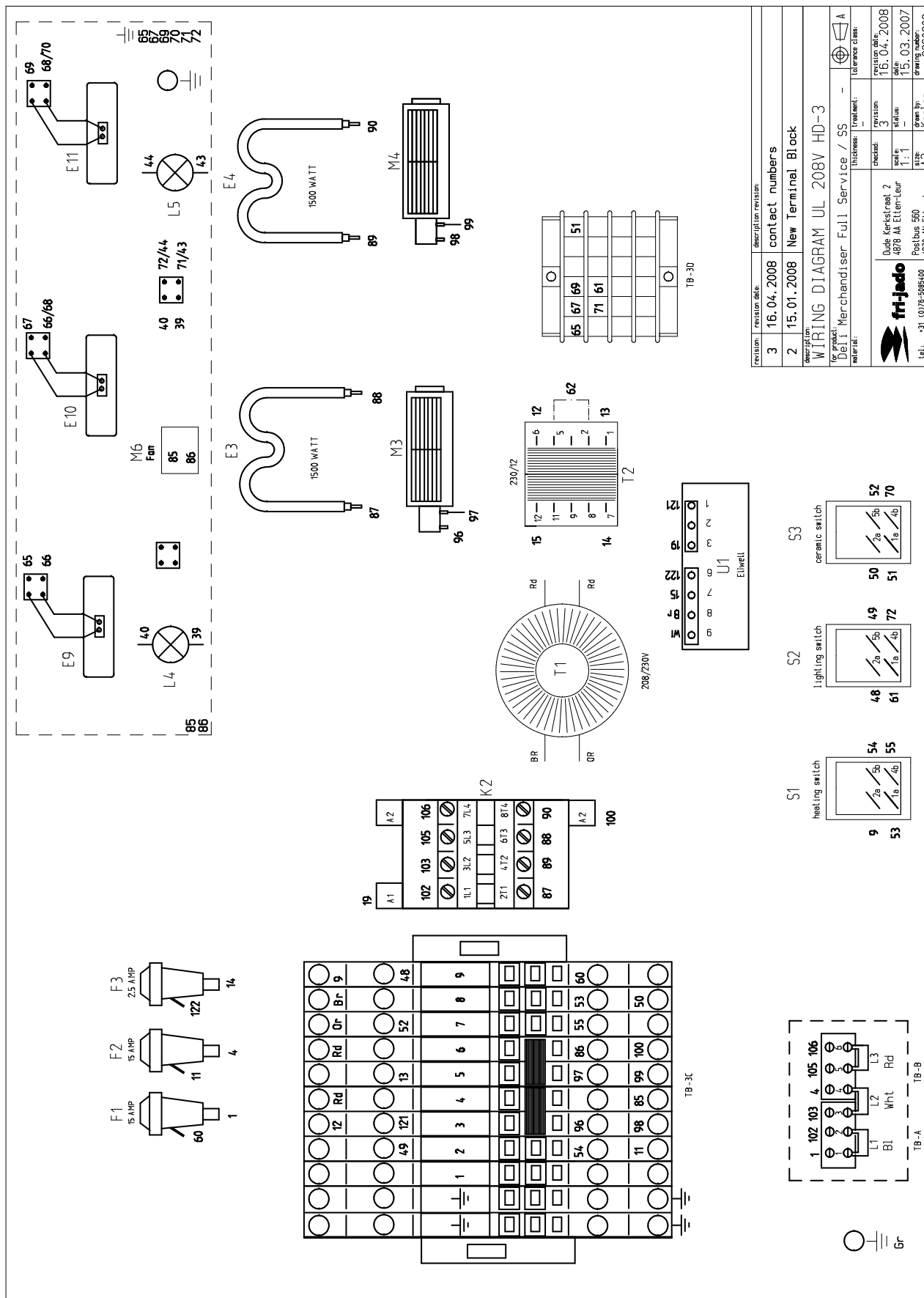
size:	drawn by:
A3	KOOL En

drawing number:
9260806

Fuse	Value
F1	15 A
F2	15 A
F3	2.5 A



WIRING DIAGRAM HD 3 FULL & SELF SERVICE



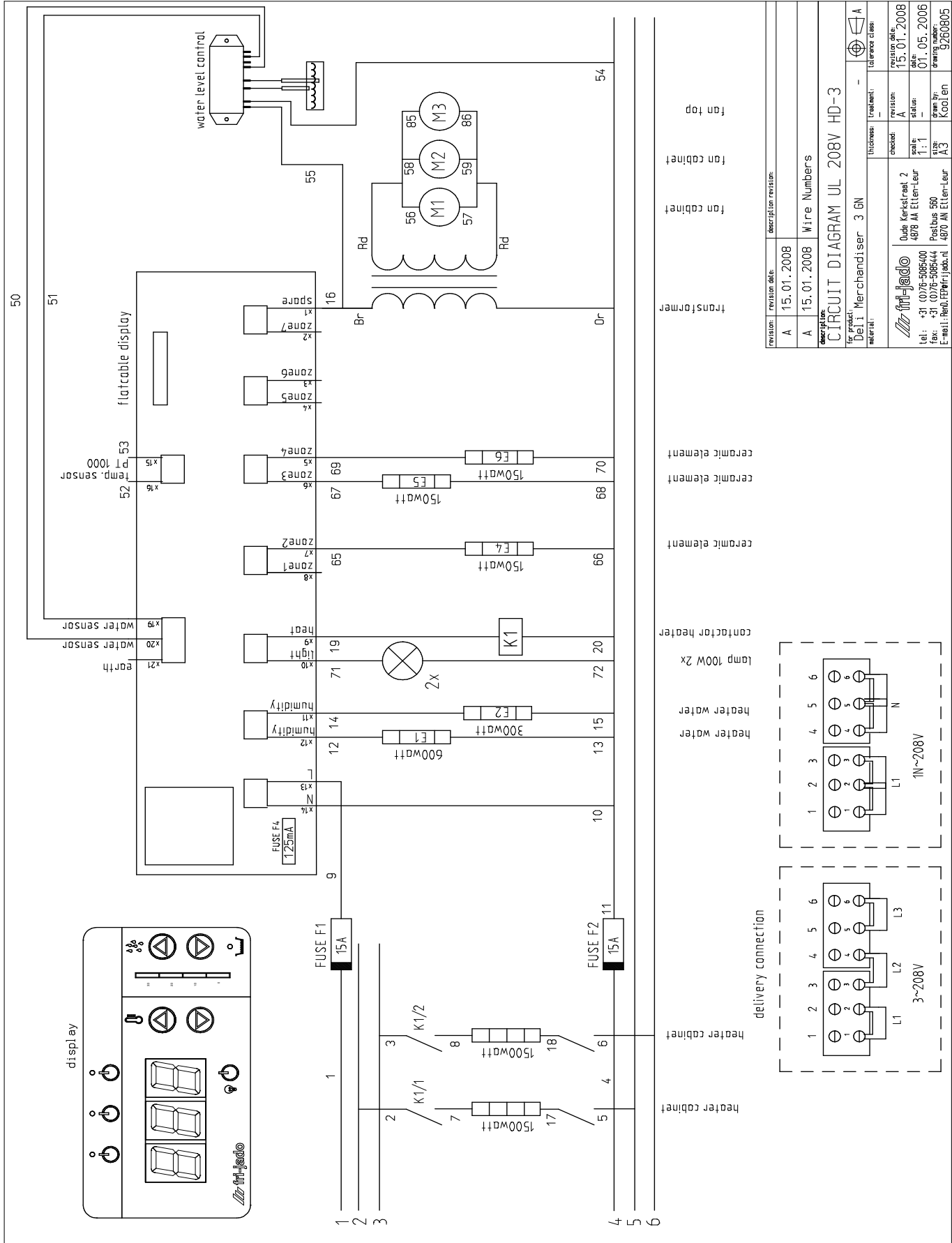
revision:	revision date:	description / revision:
3	16.04.2008	contact numbers
2	15.01.2008	New Terminal Block

description:		tolerance class:
WIRING DIAGRAM UL 208V HD-3		A
author:	Ulrich Merchandiser Full Service / SS	
checked:	Ulrich	
scale:	3	
revision date:	16.04.2008	
status:	1:1	
date:	15.03.2007	
drawing number:	9200808	
drawn by:	KOOLen	
size:	A3	

description:		tolerance class:
WIRING DIAGRAM UL 208V HD-3		A
author:	Ulrich Merchandiser Full Service / SS	
checked:	Ulrich	
scale:	3	
revision date:	16.04.2008	
status:	1:1	
date:	15.03.2007	
drawing number:	9200808	
drawn by:	KOOLen	
size:	A3	

description:		tolerance class:
WIRING DIAGRAM UL 208V HD-3		A
author:	Ulrich Merchandiser Full Service / SS	
checked:	Ulrich	
scale:	3	
revision date:	16.04.2008	
status:	1:1	
date:	15.03.2007	
drawing number:	9200808	
drawn by:	KOOLen	
size:	A3	

CIRCUIT DIAGRAM HD 3 HUMIDIFIED



revision:	revision date:	description/revision:
A	15.01.2008	
A	15.01.2008	Wire Numbers

description:
CIRCUIT DIAGRAM UL 208V HD-3

in product:	in product:	in product:	in product:
Del1 Merchandiser	3 GN	thickness:	1 treatment:
material:		checked:	revision:
		scale:	date:
		size:	drawn by:
		drawing number:	drawn by:

Product Information:

- Order: Kerkel reat 2
- 4878 AN ELLen-Leur
- Postbus 560
- 4870 AN ELLen-Leur
- tel: +31 (0)76-5065400
- fax: +31 (0)76-5065444
- E-mail: Rep.Nr.FP@fri-jado.nl

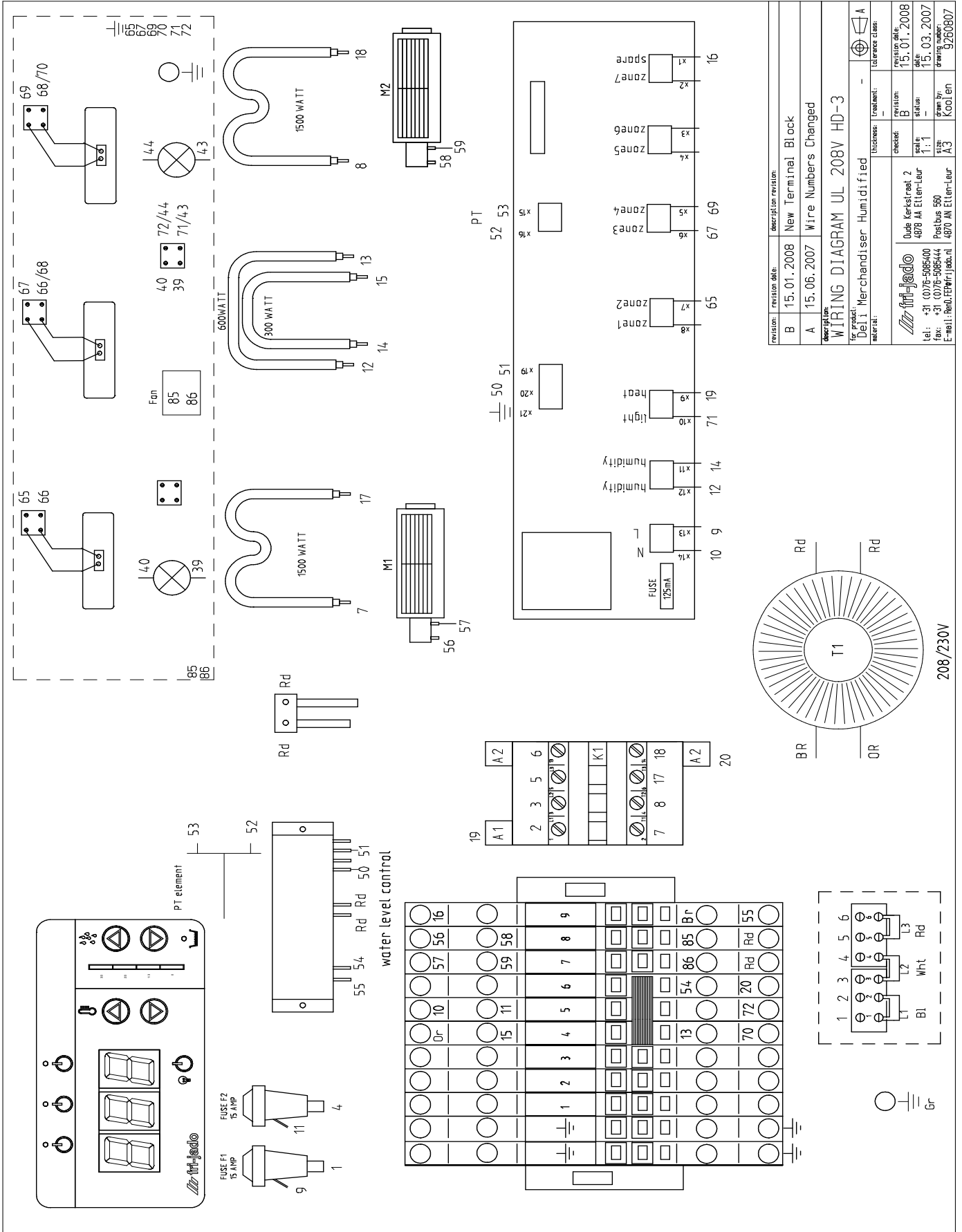
Revision History:

revision:	revision date:	description:
A	15.01.2008	

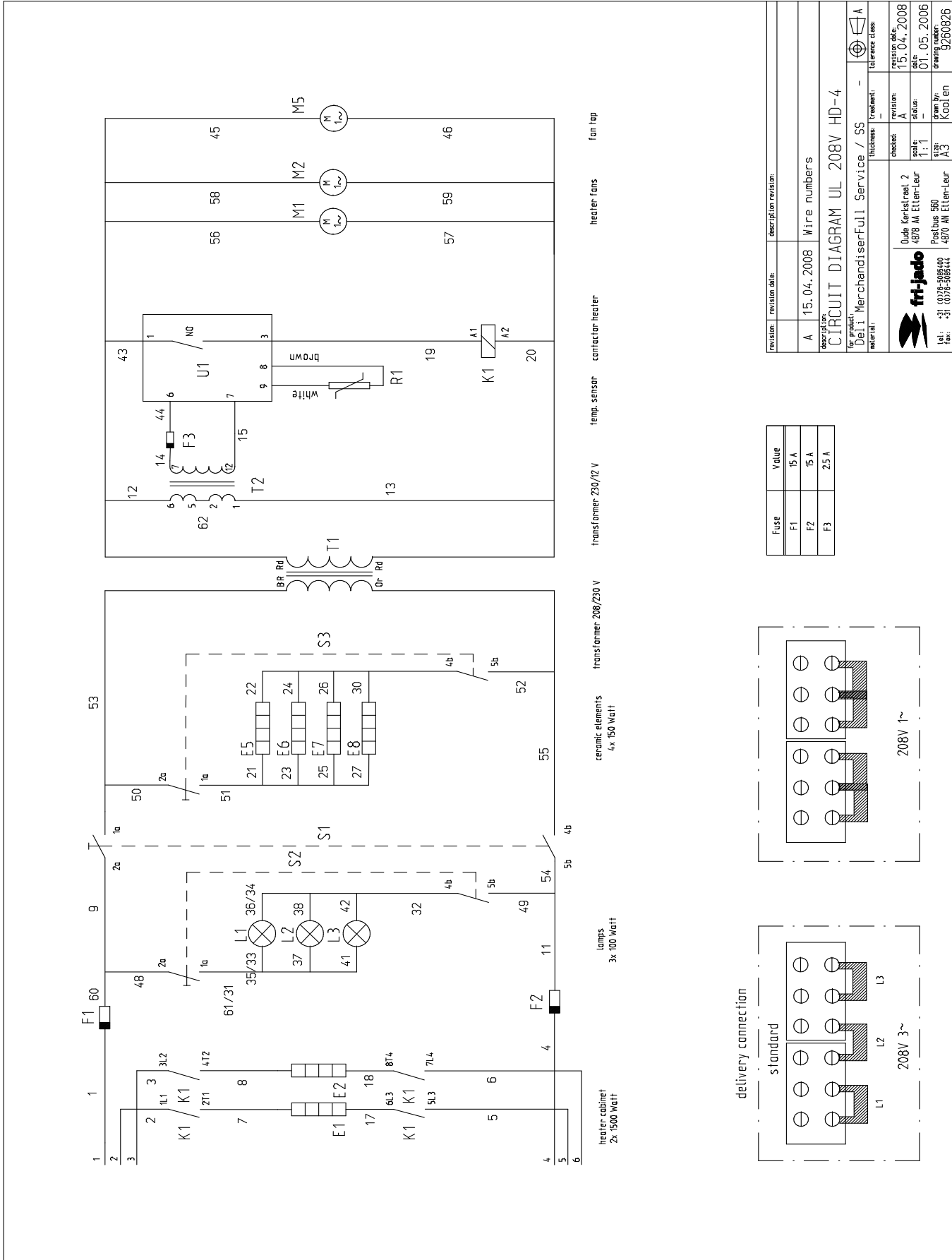
Drawing Information:

- scale: 1:1
- size: A3
- drawing number: 9260805
- drawn by: Koolen

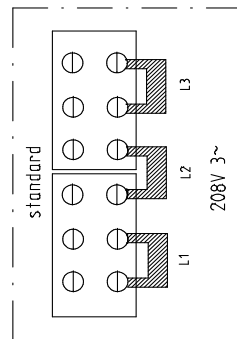
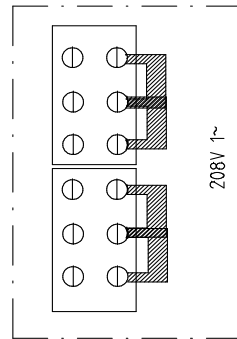
WIRING DIAGRAM HD 3 HUMIDIFIED



CIRCUIT DIAGRAM HD 4 FULL & SELF SERVICE



Fuse	Value
F1	15 A
F2	15 A
F3	2.5 A



revision	revision date	description	revision
A	15.04.2008	Wire numbers	

Description
CIRCUIT DIAGRAM UL 208V HD-4

for product:
Deli MerchandiserFull Service / SS

material:

checked:	revision date:	checked:	revision date:
	15.04.2008		15.04.2008

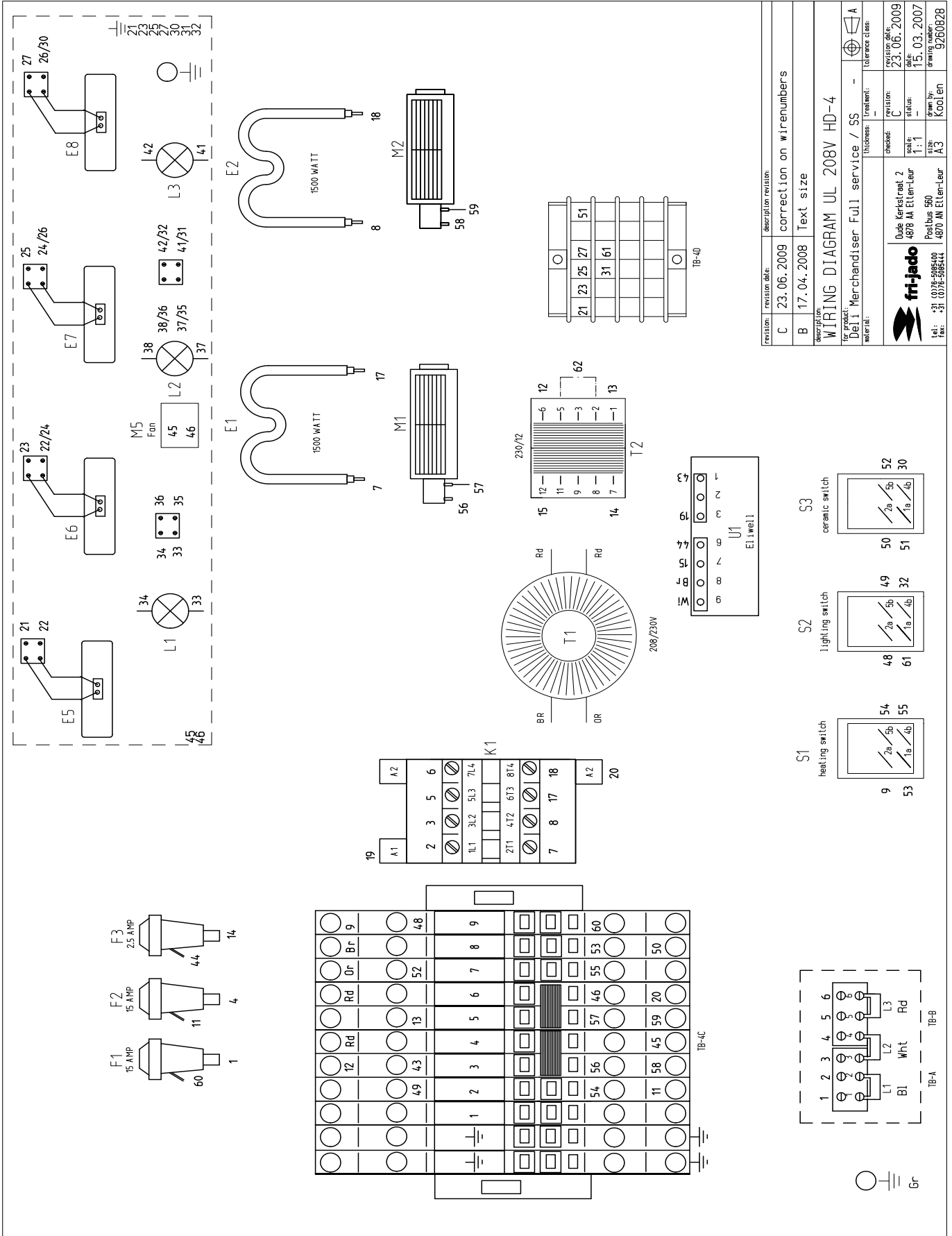
Scale: 1:1

Drawn by: Koolen

Drawn date: 01.05.2006

Drawing code: 9260826

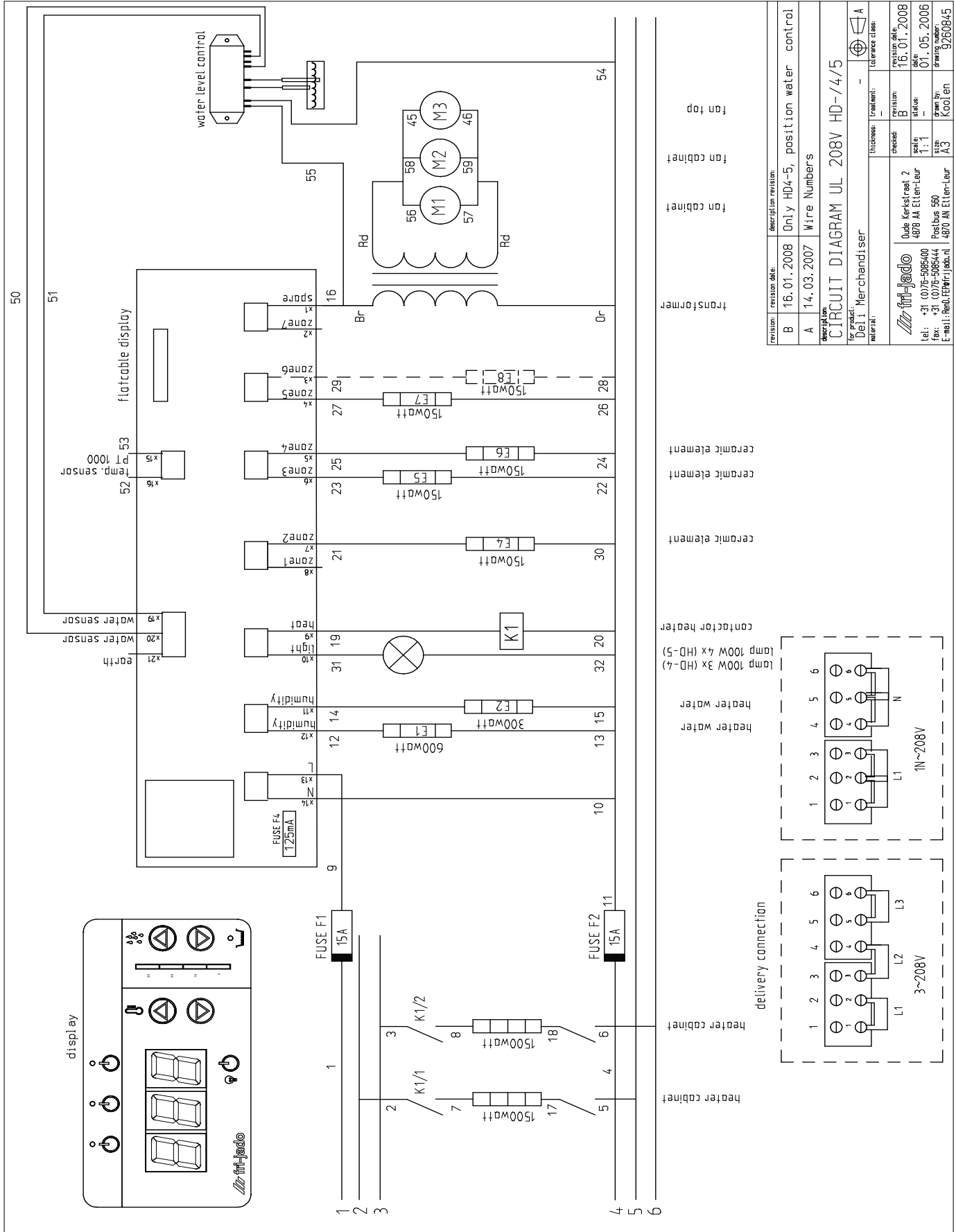
WIRING DIAGRAM HD 4 FULL & SELF SERVICE



revision:	C	revision date:	23.06.2009	description:	correction on wire numbers
revision:	B	revision date:	17.04.2008	description:	Text size
description: WIRING DIAGRAM UL 208V HD-4 for product: Deli Merchandiser Full service / SS material:					
checked:		revision:		tolerance class:	
scale:	1:1	status:		revision date:	23.06.2009
drawn by:	A3	drawn by:	KOOL/en	date:	15.03.2007
material:		drawn by:		drawing number:	9260828

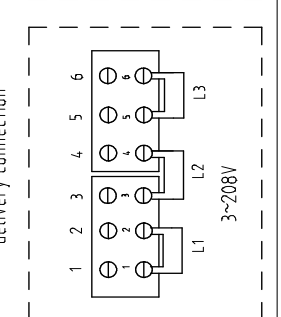
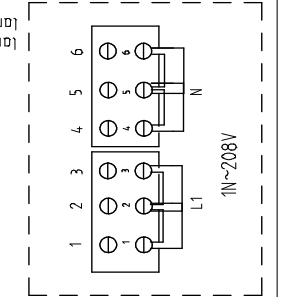
 S1 heating switch	 S2 lighting switch	 S3 ceramic switch
--------------------------	---------------------------	--------------------------

CIRCUIT DIAGRAM HD 4 HUMIDIFIED



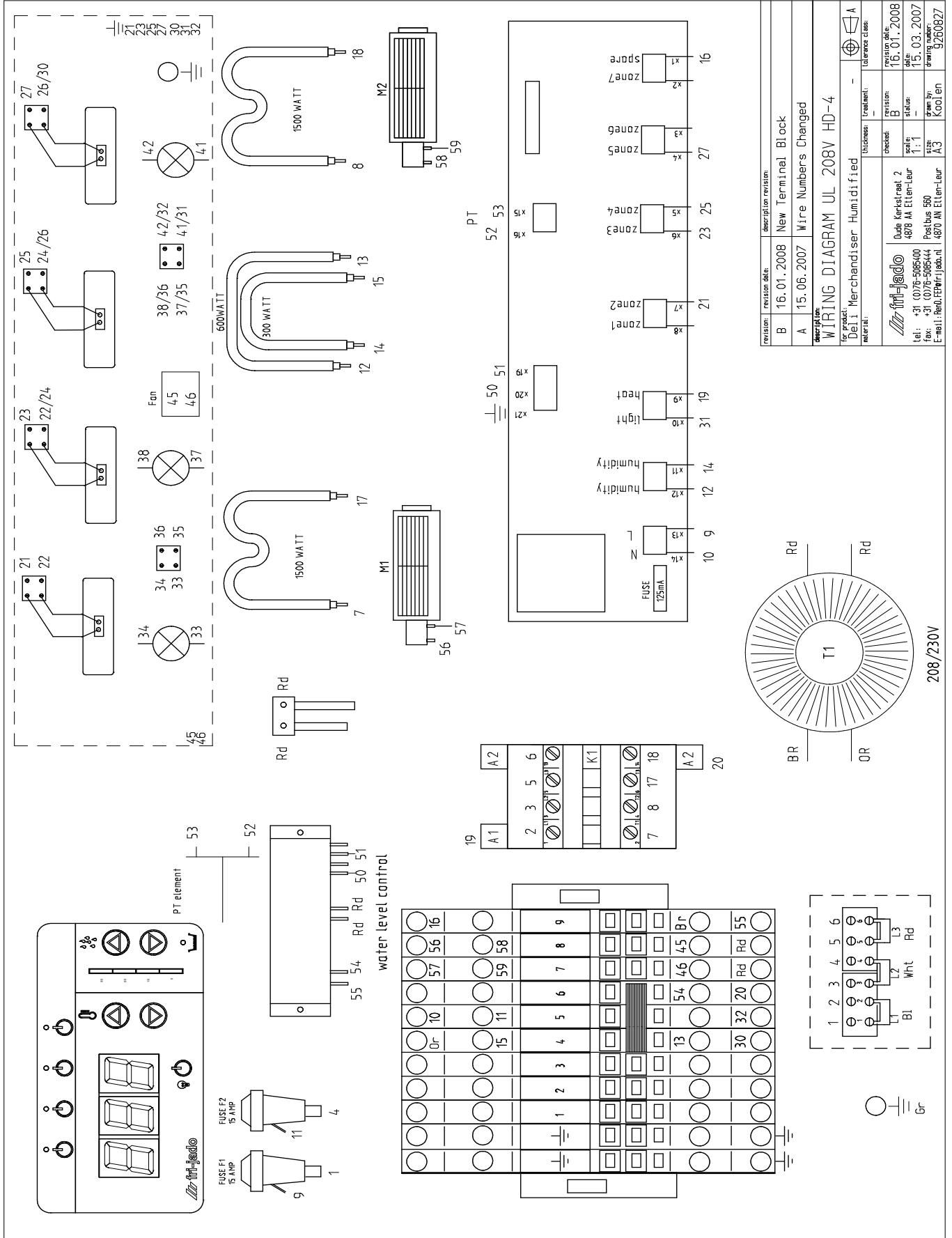
revision	revision date	description revision
B	16.01.2008	Only HD4-5, position water control
A	14.03.2007	Wire Numbers

Description		check	revision date
CIRCUIT DIAGRAM UL 208V HD-4/5			16.01.2008
for product: Deli Merchandise		scale: 1:1	date: 01.05.2006
material: Deli Merchandise		drawn by: AJ	drawing code: 9200845
tel: +31 (0)76-5085400		status: B	revision date: 16.01.2008
fax: +31 (0)76-5085444		scale: 1:1	date: 01.05.2006
E-mail: Repair@fri-jado.nl		drawn by: AJ	drawing code: 9200845
Dude Kerkstraat 2		checked: -	revision date: 16.01.2008
4878 AA Etten-Leur		status: B	date: 01.05.2006
Postbus 590		drawn by: AJ	drawing code: 9200845
E-mail: Repair@fri-jado.nl		checked: -	revision date: 16.01.2008
1480 AA Etten-Leur		status: B	date: 01.05.2006
		drawn by: AJ	drawing code: 9200845



- heater cabinet
- heater cabinet
- heater water
- heater water
- lamp 100W 3x (HD-4)
- contactor heater
- ceramic element
- ceramic element
- ceramic element
- transformer
- fan cabinet
- fan cabinet
- fan top

WIRING DIAGRAM HD 4 HUMIDIFIED

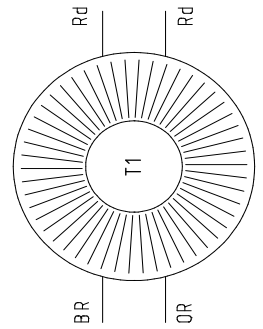


revision:	revision date:	description revision:	thickens:	treatment:	tolerance class:
B	16.01.2008	New Terminal Block			A
A	15.06.2007	Wire Numbers Changed			

checked:	revision:	revision date:	scale:	status:	date:	drawn by:	drawing number:
	B	16.01.2008	1:1		15.03.2007	Koolen	9260827

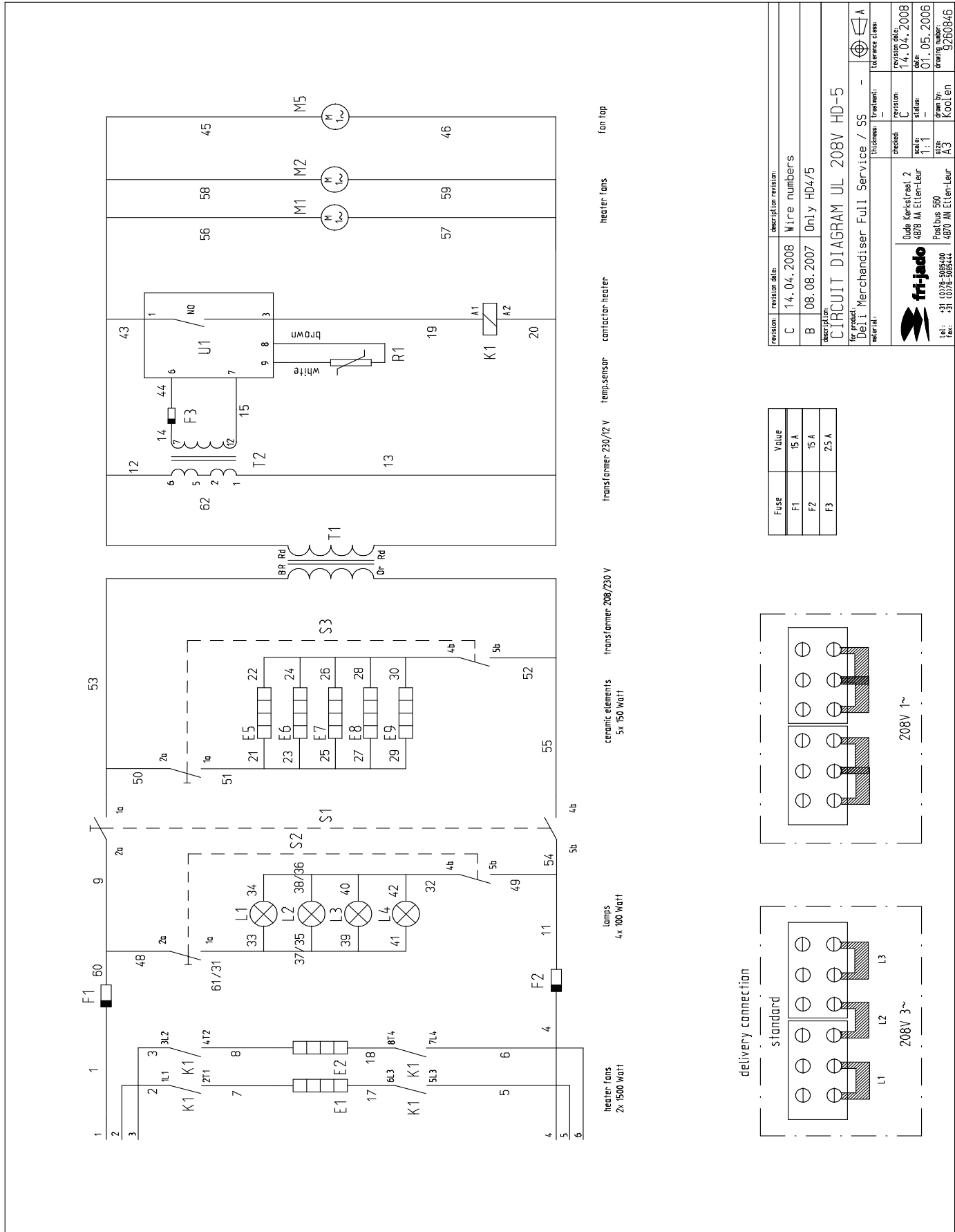
for product:	description:	material:	revision date:	revision:	revision date:	scale:	status:	date:	drawn by:	drawing number:
Delix Merchandiser	WIRING DIAGRAM UL 208V HD-4	Humidifier	16.01.2008	B	16.01.2008	1:1		15.03.2007	Koolen	9260827

tel:	fax:	e-mail:
+31 (0)76-5085400	+31 (0)76-5085444	Humidifier@fri-jado.nl



208/230V

CIRCUIT DIAGRAM HD 5 FULL & SELF SERVICE



revision:	revision date:	description/revision:
C	14.04.2008	Wire numbers
B	08.08.2007	Only HD4/5

description:
CIRCUIT DIAGRAM UL 208V HD-5

for product:
Deli Merchandiser Full Service / SS

material:
thickness: -
material: -
to trace class: -

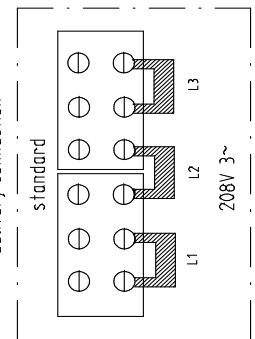
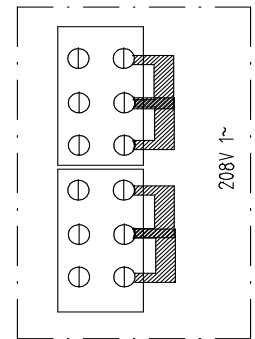
checked:	revision:	revision date:
Ude Kerstreal 2	C	14.04.2008

scale:	status:
4878 AM Eilen-Leur	-

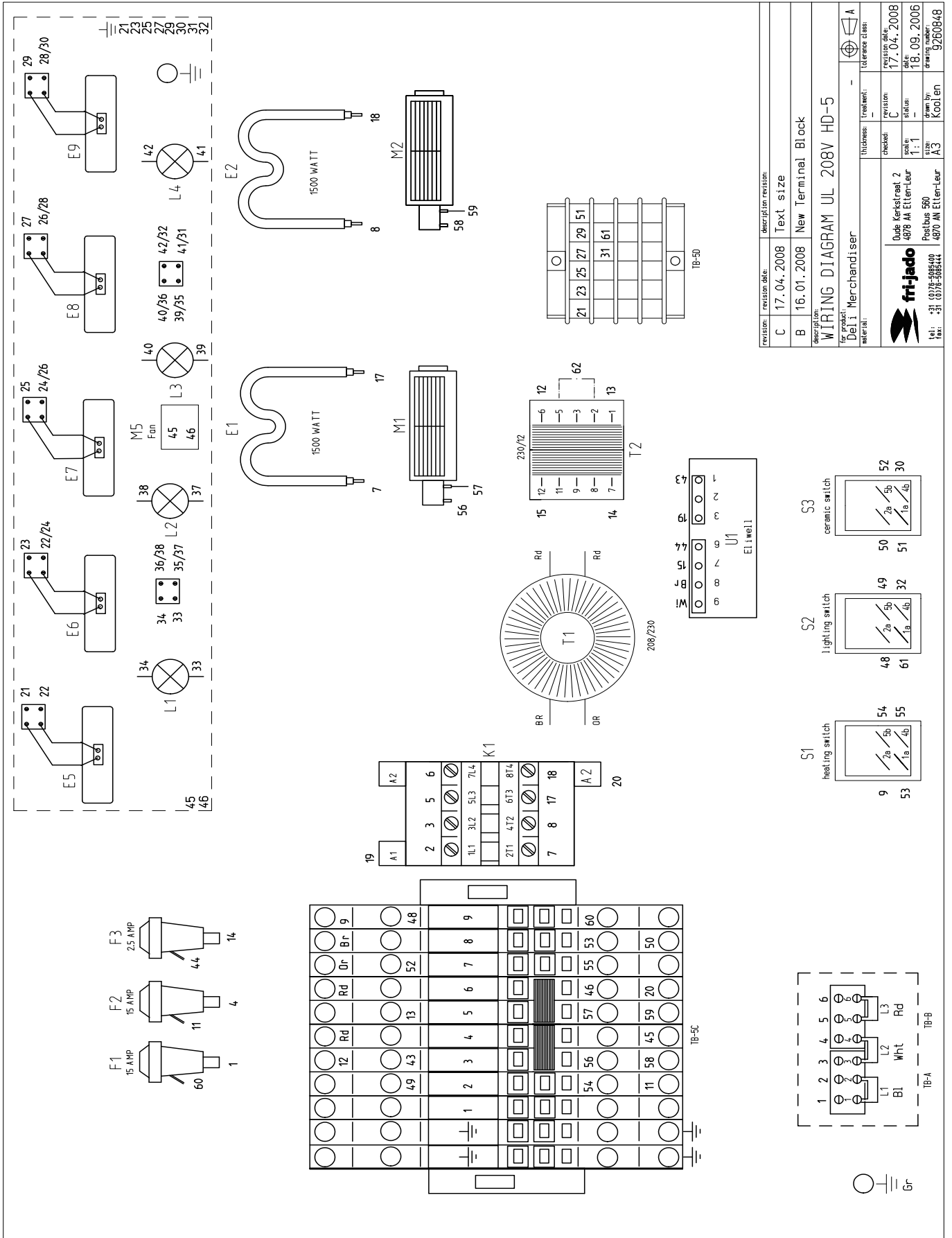
date:	drawn by:
01.05.2006	Kooten

size:	drawing number:
Posibus 580	92E0846

Fuse	Value
F1	15 A
F2	15 A
F3	2.5 A



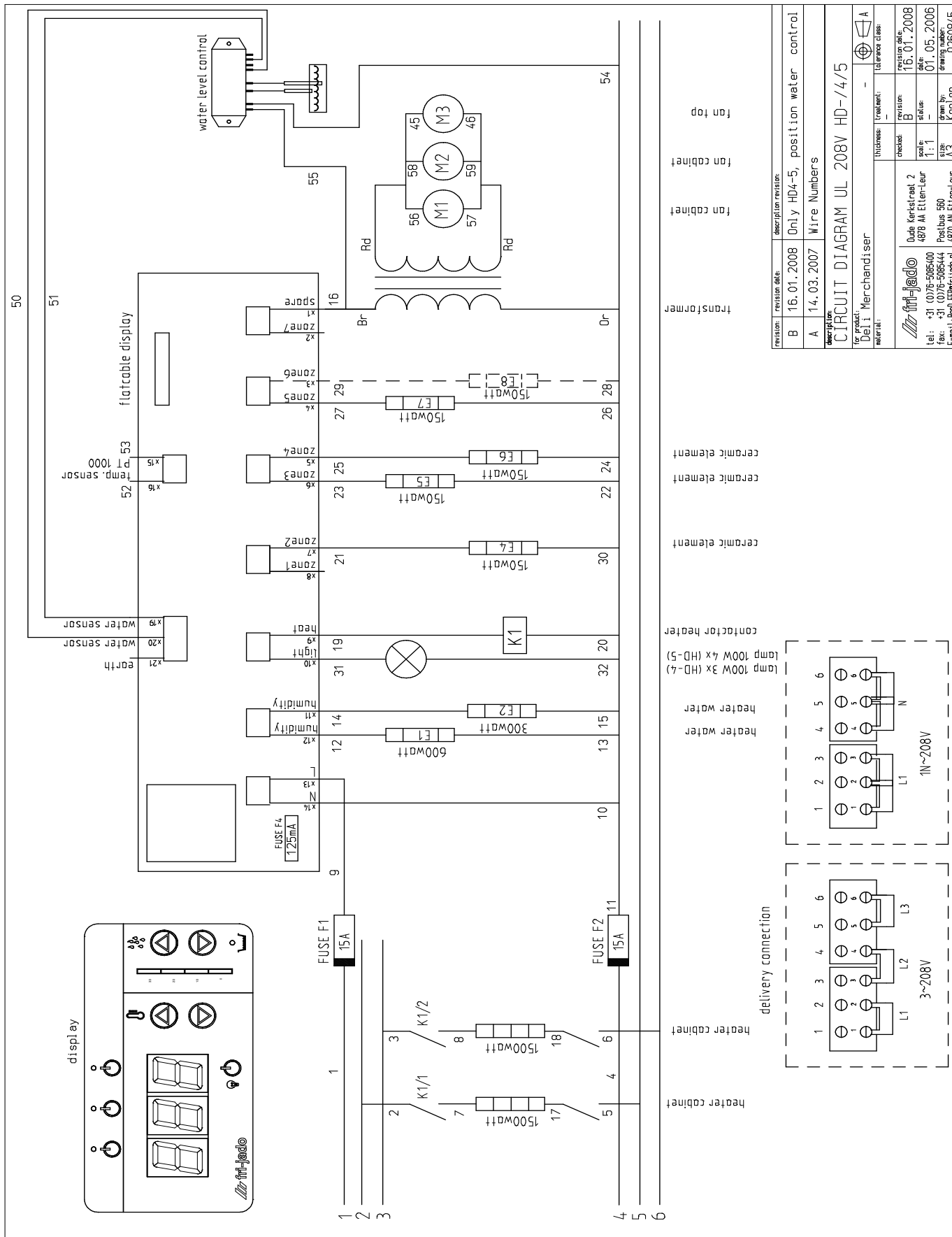
WIRING DIAGRAM HD 5 FULL & SELF SERVICE



revision:	revision date:	description/revision:
C	17.04.2008	Text size
B	16.01.2008	New Terminal Block
description: WIRING DIAGRAM UL 208V HD-5		
for product: Deli Merchandiser		
material:		
checked:	revision:	tolerance class:
scale:	status:	A
size:	drawn by:	
A3	Koolen	
revision date:	revision:	revision date:
17.04.2008	C	17.04.2008
date:	scale:	date:
18.09.2006	1:1	18.09.2006
drawing number:	size:	drawing number:
9260848	A3	9260848

fri-jado
 Oude Kerksraal 2
 4878 AA Etten-Leur
 Postbus 560
 tel: +31 (0)76-5085400
 fax: +31 (0)76-5085444

CIRCUIT DIAGRAM HD 5 HUMIDIFIED



revision	revision date	description revision
B	16.01.2008	Only HD4-5, position water control
A	14.03.2007	Wire Numbers

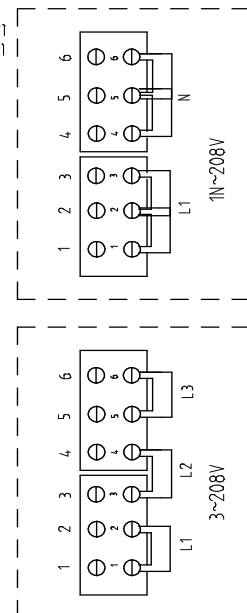
DESCRIPTION:
CIRCUIT DIAGRAM UL 208V HD-4/5

for product	for project	revision	revision date	drawn by	checked by	drawing code
Del1	Merchandiser	B	16.01.2008	Koolen		9260845
		A	14.03.2007	Koolen		9260845

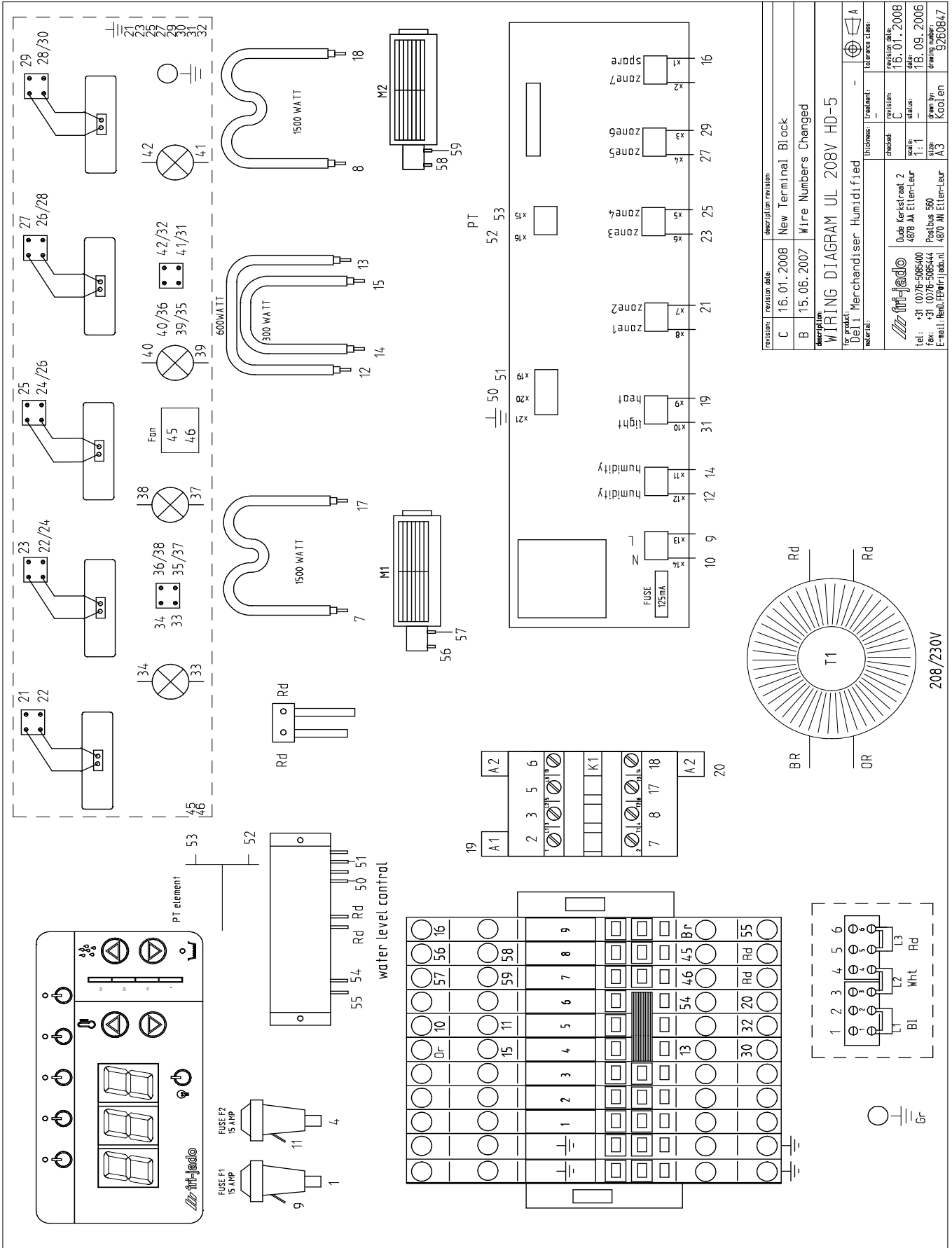
material:
thickness: -
treatment: -
tolerance class: A

for product: Del1 Merchandiser
description: Oude Kerckstraat 2
4818 AM Etten-Leur
Posibus 560
E-mail: help.fri@fri-jado.nl / 4870 AM Etten-Leur

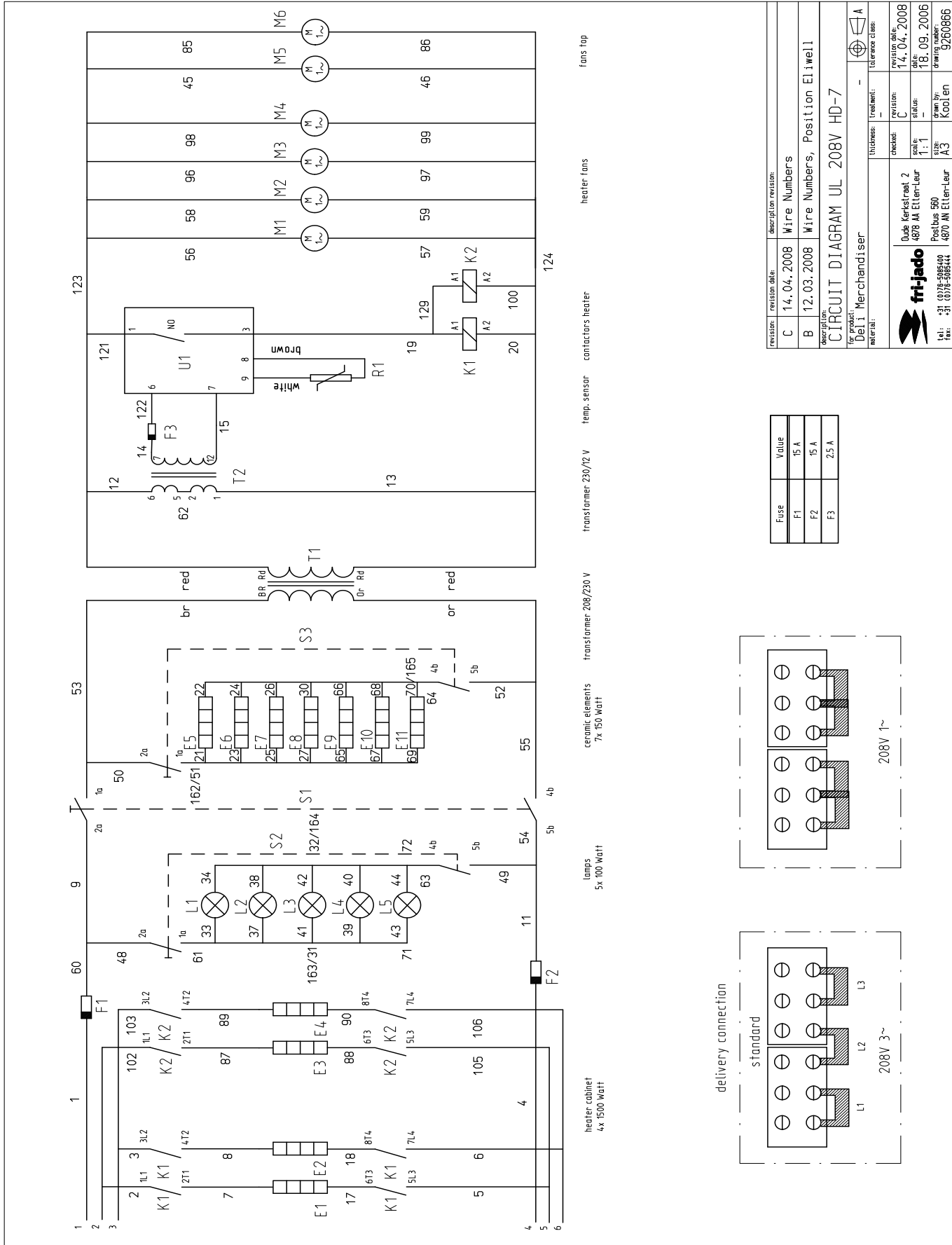
tel.: +31 (0)76-5085400
fax: +31 (0)76-5085444



WIRING DIAGRAM HD 5 HUMIDIFIED

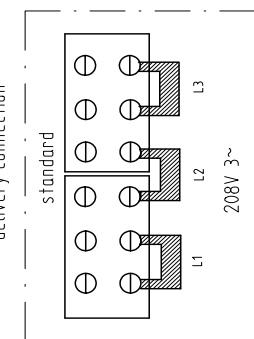
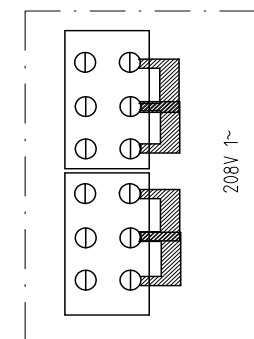


CIRCUIT DIAGRAM HD 7 FULL & SELF SERVICE

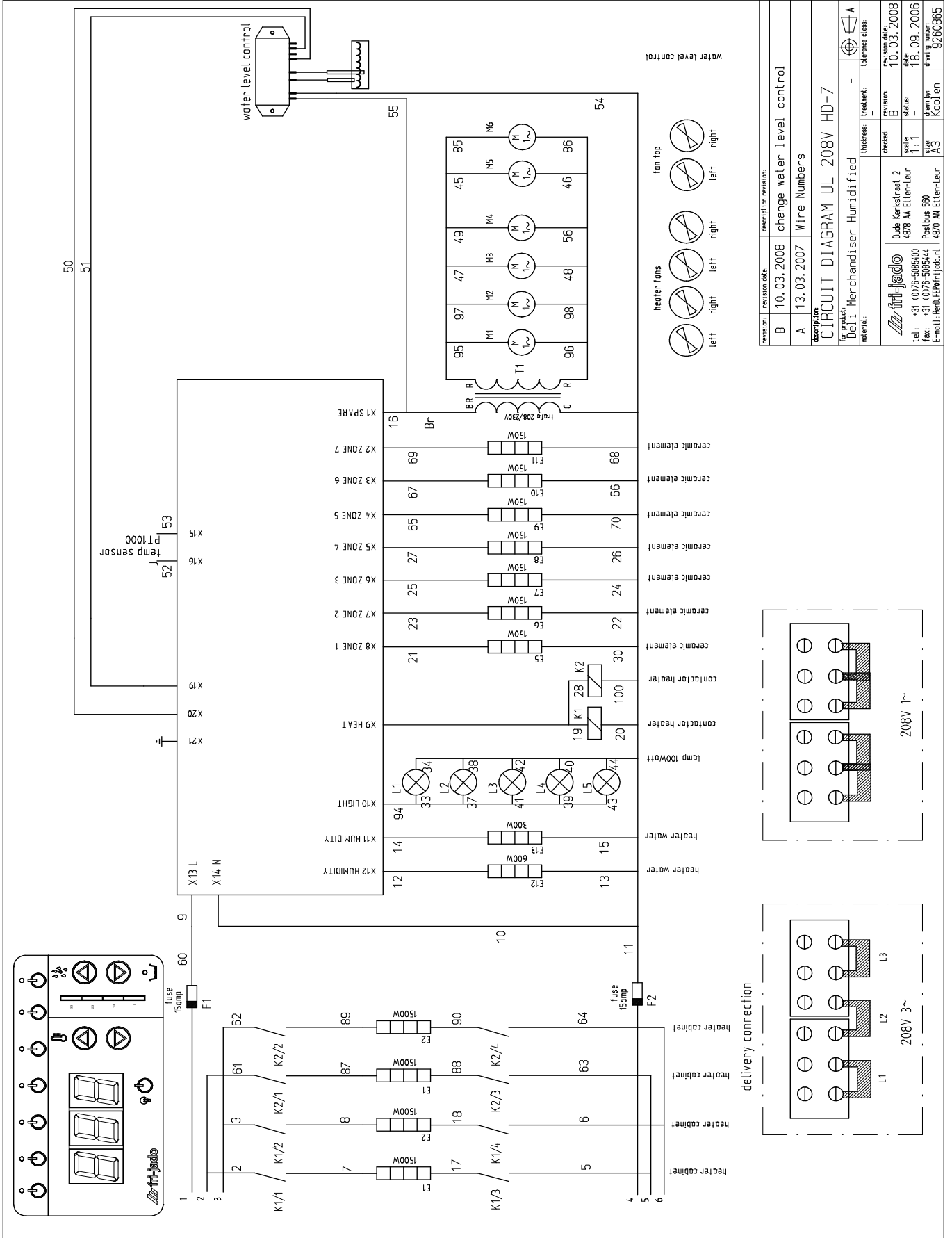


revision:	revision date:	description/revision:
C	14.04.2008	Wire Numbers
B	12.03.2008	Wire Numbers, Position Eliwell
description: CIRCUIT DIAGRAM UL 208V HD-7		
for product: Deli Merchandiser		
material:		
checked:	revision:	tolerance class:
scale:	status:	
size:	drawn by:	
	drawn by:	
	date:	
	date:	
	drawing number:	
	drawing number:	

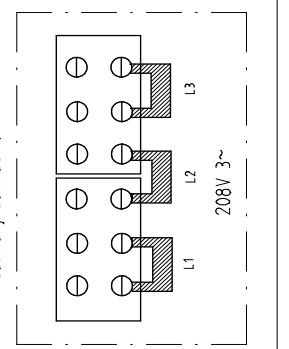
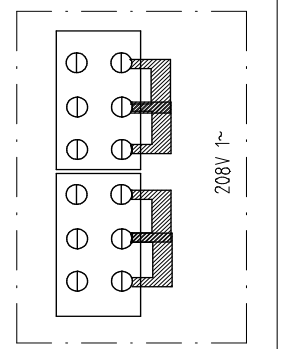
Fuse	Value
F1	15 A
F2	15 A
F3	2.5 A



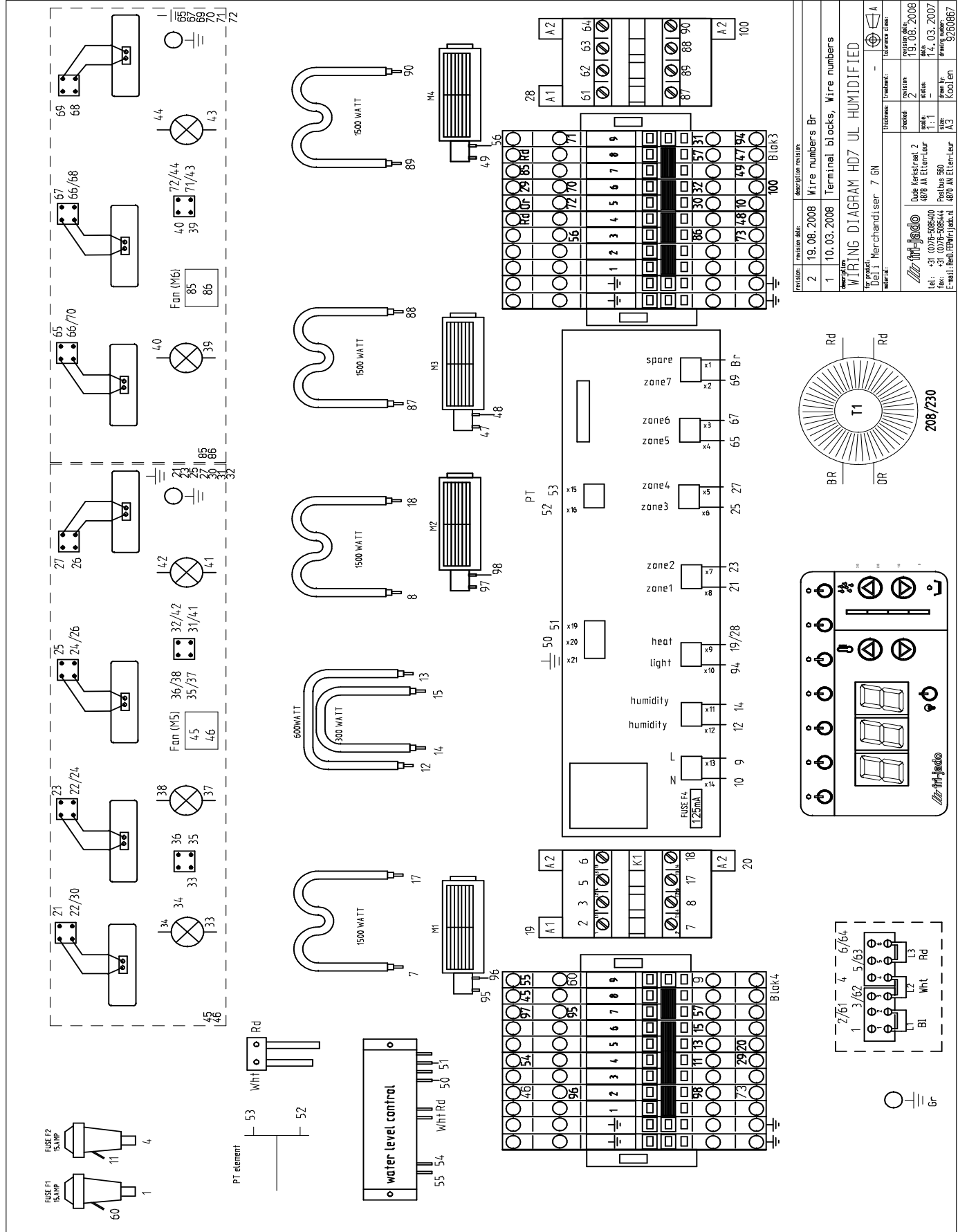
CIRCUIT DIAGRAM HD 7 HUMIDIFIED



revision:	10.03.2008	description/revision:	change water level control
B	10.03.2008	A	13.03.2007
description:		Wire Numbers	
for product:			
CIRCUIT DIAGRAM UL 208V HD-7			
for product:			
Deli Merchandiser Humidified			
material:			
checked:	revised:	checked:	revised:
scale:	scale:	scale:	scale:
size:	size:	size:	size:
drawn by:	drawn by:	drawn by:	drawn by:
drawn number:	drawn number:	drawn number:	drawn number:
9260865	9260865	9260865	9260865

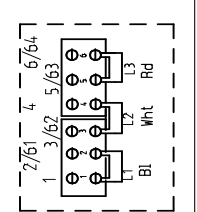
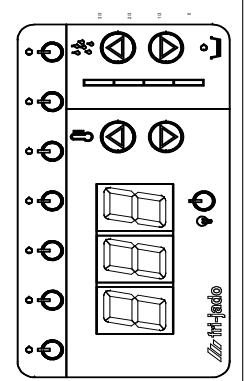
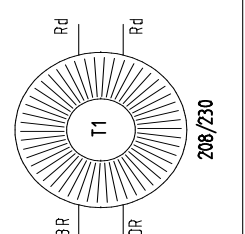


WIRING DIAGRAM HD 7 HUMIDIFIED



revision	revision date	Description revision
2	19.08.2008	Wire numbers Br
1	10.03.2008	Terminal blocks, Wire numbers

WIRING DIAGRAM HD7 UL HUMIDIFIED
 Description: Deli Merchandise ser 7 GN
 material: -
 thickness: -
 treatment: -
 tolerance class: A
 checked: 2
 revision: 19.08.2008
 scale: 400% AA Ellen-Lear
 status: 14.03.2007
 drawn by: -
 checked by: -
 drawing number: 9260667
 K00, En



For technical support call:	877 374-5236
For parts call:	877 392-7851

