

SERVICE MANUAL

MODULAR COUNTER HOT AND COLD MERCHANDISERS

Models:

MC 30 and 40 Hot Full Service. Curved and Square glass

MC 30 and 40 Hot Self Service. Curved and Square glass

MC 30 and 40 Cold Full Service. Curved and Square glass



- NOTICE -

This manual is prepared for the use of trained Service Technicians and should not be used by those not properly qualified. If you have attended a training for this product, you may be qualified to perform all the procedures in this manual.

This manual is not intended to be all encompassing. If you have not attended training for this product, you should read, in its entirety, the repair procedure you wish to perform to determine if you have the necessary tools, instruments and skills required to perform the procedure. Procedures for which you do not have the necessary tools, instruments and skills should be performed by a trained technician.

Reproduction or other use of this Manual, without the express written consent of Fri-Jado, is prohibited.

EMPTY PAGE

Versions		
Version	Issue date dd/mm/yy	Remarks
01/2017	01/01/2016	First release.
02/2018	06/07/2018	Update with front doors for US version

INDEX

Index	4
General technical data.....	6
Removal and replacement of parts in hot version	8
Side panels	8
Front panel.....	8
Sliding wheel on door	9
Thermostat (Danfoss)	9
Sensor Danfoss thermostat	10
Tumble switch light and heating	10
Top Shelves.....	11
Bottom Shelf	11
Lamp holder.....	12
Relay	12
Electronic ballast.....	12
Curved glass (Self service).....	13
Heating element in top (MC 100 Hot self service).....	14
Blower (self service).....	14
Removal and replacement of parts in cold version	15
Side Panels.....	15
Front Panel.....	15
Sliding wheel on door	16
Thermostat (Danfoss)	16
Temperature Sensor.....	17
Defrost sensor	18
Tumble switch light and cooling.....	19
Lamp holder	19
Relay	20
Electronic ballast.....	20
Curved glass (Self service).....	21
Blower(S)	21
Electrical tests and service procedures hot version.....	22
Heating element test.....	22
TL lamp test.....	22
Contactor, blower and transformer test.....	23
Adjusting Danfoss ERC 211 thermostat.....	24
Adjusting Danfoss ERC 211 thermostat (continued)	25
Danfoss ERC 211 settings for MC 30 and 40 Hot Full Service.....	26
Danfoss ERC 211 settings for MC 30 and 40 Hot Self Service.....	27
Control locations full and self serve hot	28

Electrical tests and service procedures cold version.....	29
Heating element test evaporation tray.....	29
TL lamp test.....	29
Adjusting Danfoss ERC 213 thermostat.....	30
Adjusting Danfoss ERC 213 thermostat (continued)	31
Danfoss ERC 213 Settings for MC 30 and 40 Cold FS	32
Control locations full service cold.....	33
Troubleshooting	34
Troubleshooting Modular Counter 30 and 40 Hot	34
Analytic troubleshooting Modular Counter 30 and 40 Hot.....	35
Troubleshooting Modular Counter 30 and 40 Cold.....	36
Analytic troubleshooting Modular Counter 30 and 40 Cold	37
Modular Counter 30 Hot Full service cube Square	38
Modular Counter 30 Hot Self service cube Square	42
Exploded views & Part lists	46
Modular Counter 30 Hot full service cube Curved	46
Modular Counter 30 Hot self service cube Curved	50
Modular Counter 30 Cold full service Cube Square.....	54
Modular Counter 30 Cold Full service cube Curved.....	58
Modular Counter 40 Hot full service Cube Square	62
Modular Counter 40 Hot self service Cube Square.....	66
Modular Counter 40 Hot full service cube Curved	70
Modular Counter 40 Hot self service cube Curved	74
Modular Counter 40 Cold full service Cube Square.....	78
Modular Counter 40 Cold full service Cube Curved	82
Modular Counter 30 Cold full service Cube Curved flap doors	86
Modular Counter 40 Cold full service Cube Curved flap doors	88
Modular Counter 30 Cold full service Cube Square doors	90
Modular Counter 40 Cold full service Cube Square doors	92
Electrical diagrams	94
Circuit Diagram Modular Counter 30 - 40 Hot full and self service.....	94
Circuit Diagram Modular Counter 30 - 40 Cold full service	95

GENERAL TECHNICAL DATA

This manual covers the Modular Counter Hot and Cold Merchandisers. The Merchandisers come in 3 versions and 2 sizes of 30 and 40 inch.

- MC 30 and 40 Hot Full Service.
- MC 30 and 40 Hot Self Service.
- MC 30 and 40 Cold Full Service.

All of the information, illustrations and specifications contained in this manual are based on the latest product information available at the time of printing.

TECHNICAL DATA

Type	MC 30 Hot Full Service	MC 30 Hot Self Service	MC 30 Cold Full Service
Power (W)	2800	2800	1300
Fuses needed with power connection 208V, 1N ~ 60Hz (1 phase with zero)	50/60Hz 1x 20 A	50/60Hz 1x 20 A	1x 15 A
Fuses needed with power connection 208V, 3 ~ 60Hz (3 phases with zero)	3x 15 A	3x 15 A	-
Standard plug from factory single pole	NEMA 6-20P	NEMA 6-20P	NEMA 5-20P
Sound pressure	-	-	< 70 dB(A)
Net weight (lbs)	300	295	353
Gross weight (lbs)	350	345	405
Height (inch ±2)	60	60	60
Width (inch)	29 1/2	29 1/2	29 1/2
Depth (inch)	30	30	30
Maximum loading height (inch)			4
Refrigerant*	-	-	*
Amount of refrigerant (OZ)	-	-	15.22

* The refrigerant complies with the environmental requirements applicable at the time of manufacturing of the unit. The type and filling weight are indicated on the data plate or on the cooling unit.

Tools

- Standard set of tools.
- Metric wrenches, sockets and hex socket key wrenches.
- Multi-meter and AC current clamp meter.
- Insulation value tester (Megger)
- Temperature tester.

TECHNICAL DATA

Type	MC 40 Hot Full Service	MC 40 Hot Self Service	MC 40 Cold Full Service
Power (W)	2800	2800	1300
Fuses needed with power connection 208V, 1N ~ 60Hz (1 phase with zero)	50/60Hz 1x 20 A	50/60Hz 1x 20 A	1x 15 A
Fuses needed with power connection 208V, 3 ~ 60Hz (3 phases with zero)	3x 15 A	3x 15 A	-
Standard plug from factory single pole	NEMA 6-20P	NEMA 6-20P	NEMA 5-20P
Sound pressure	-	-	< 70 dB(A)
Net weight (lbs)	368	360	397
Gross weight (lbs)	420	410	450
Height (inch)	60	60	60
Width (inch)	39 1/2	39 1/2	39 1/2
Depth (inch)	30	30	30
Maximum loading height (inch)			4
Refrigerant*	-	-	*
Amount of refrigerant (OZ)	-	-	20.45

* The refrigerant complies with the environmental requirements applicable at the time of manufacturing of the unit. The type and filling weight are indicated on the data plate or on the cooling unit.

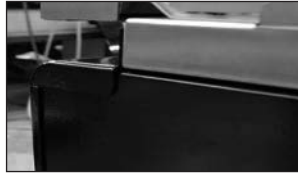
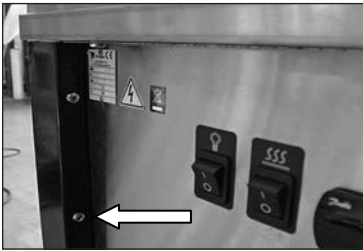
Tools

- Standard set of tools.
- Metric wrenches, sockets and hex socket key wrenches.
- Multi-meter and AC current clamp meter.
- Insulation value tester (Megger)
- Temperature tester.

REMOVAL AND REPLACEMENT OF PARTS IN HOT VERSION

WARNING: Disconnect the electrical power to the machine at the main circuit box. Place a tag on the circuit box indicating the circuit is being serviced.

SIDE PANELS



1. Remove the 3 screws on the backside that hold the panel.
2. Slide the side panel backwards and remove the panel.
3. Reverse the procedure to install.



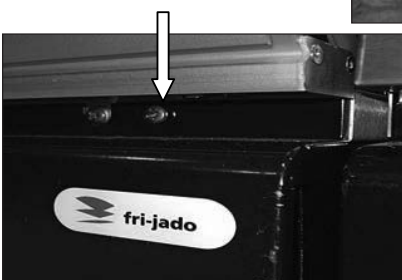
Note: When placing the plate back lift the plate against the top side and pull the plate on the bottom side to guide it past the side.

FRONT PANEL



1. Loosen the 2 screws on the bottom front-side.
2. Remove the 2 screws on the top side and remove the panel.
3. Reverse the procedure to install.

Note: When placing the front back see to it that it fits over the side panels.



SLIDING WHEEL ON DOOR



Old version with separate handles



New version with integrated handles

1. Remove the door by lifting this out of the runner and bring it towards yourself.
2. Use a drill of 4.2 mm to drill out the 2 pop rivets.
3. Fix the new wheel again with pop rivets of 4.2 mm.
4. Place the door back again.

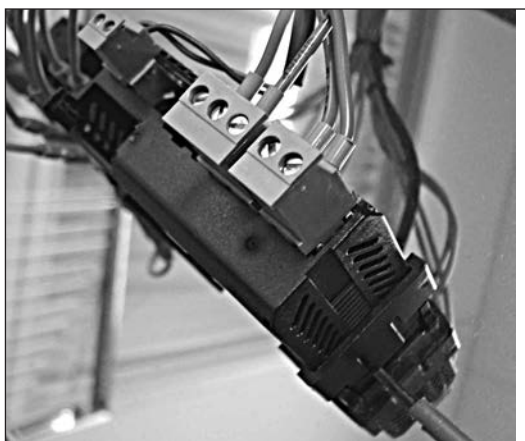


THERMOSTAT (DANFOSS)

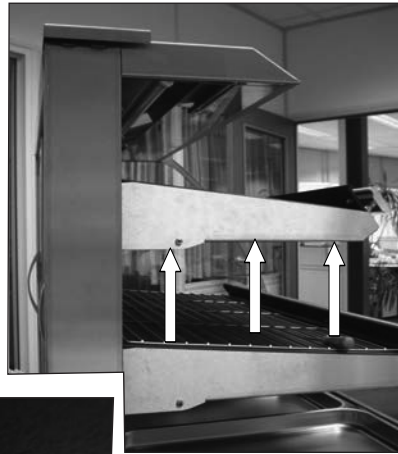


1. Remove the 3 screws that secure the operation panel and open the panel.
2. Loosen the blocking clips on the sides of the thermostat and remove thermostat from housing.
4. Remove the wiring from the thermostat.
5. Reverse the procedure to install.

Note: When changing the thermostat for the hot versions, first always change parameter 07 to heating HE.



SENSOR DANFOSS THERMOSTAT



1. Open the operation panel according prior procedure.
2. Remove the wiring of the sensor on the thermostat.
3. Remove the front glass and both side glasses.
5. Remove the screws that secure the cover profile on the left backside and remove the profile.
6. Remove the screws that secure the top shelf on both sides on the shelf support.
7. Slide the top shelf carefully for 10 cm. to the customer side.
8. Remove the screws that secure the sensor holder and remove the sensor from the holder.
9. Lead the wiring of the sensor to the front and remove the wiring.
10. Reverse the procedure to install.

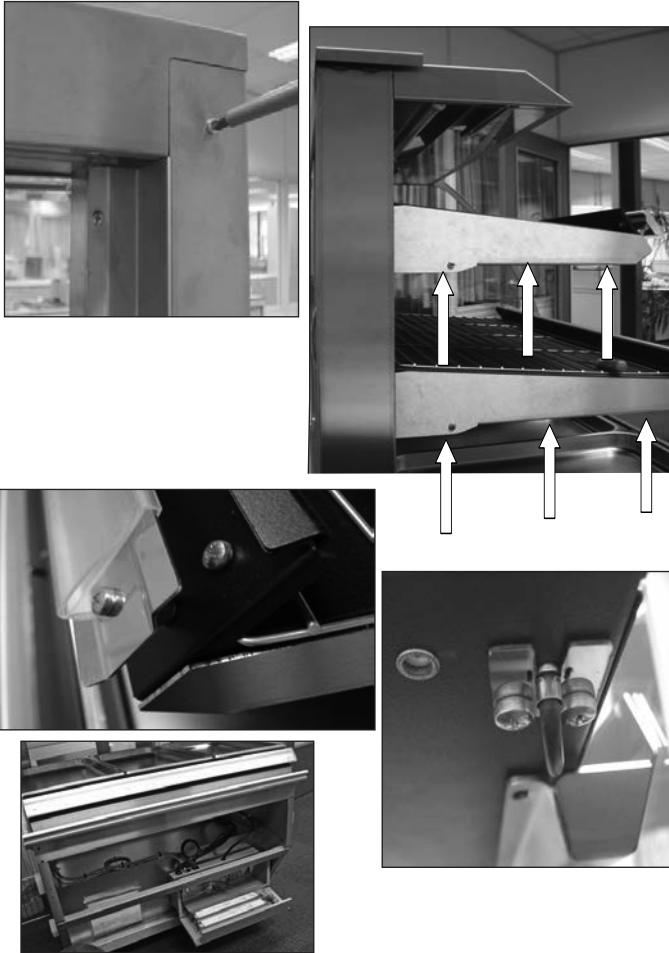
Note: See to it that the sensor is placed straight inside the shelf.

TUMBLE SWITCH LIGHT AND HEATING



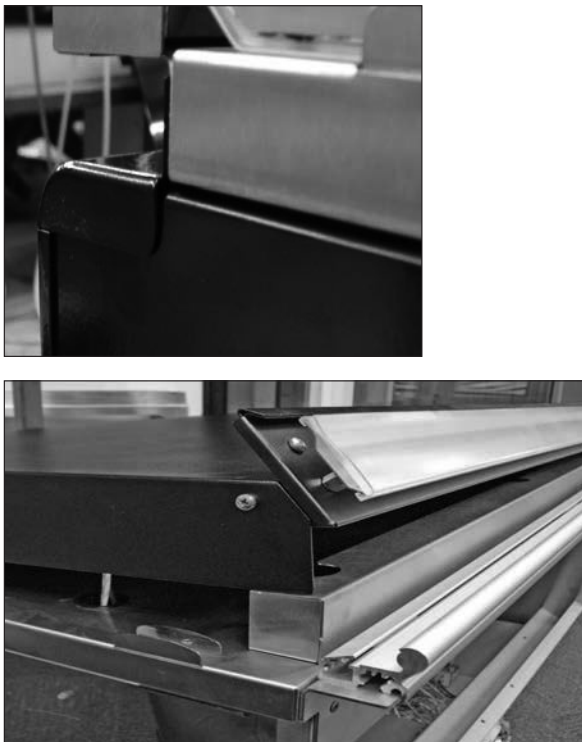
1. Open the operation panel according prior procedure.
2. Disconnect the wiring.
3. Remove the switch by pushing the clamps on both sides.
4. Reverse the procedure to install.

TOP SHELVES



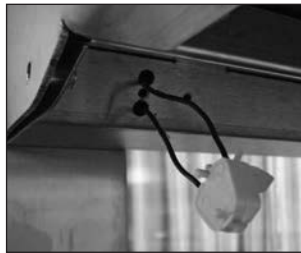
1. Remove the front panel, operation panel, side and front glass according prior procedures.
2. Remove the screws that secure the cover profile on the right hand backside and remove the profile.
3. Remove the screws that secure the shelf on both sides on the shelf support. For top shelf remove the sensor according prior procedure.
4. Remove the screws that secure the cover on the electric box and lower the cover.
5. Disconnect the wiring of the heating element.
6. Remove the shelf by sliding it to the front side and guide the wiring outside.
7. Remove the price rail and holder from the shelf.
8. Reverse the procedure to install.

BOTTOM SHELF



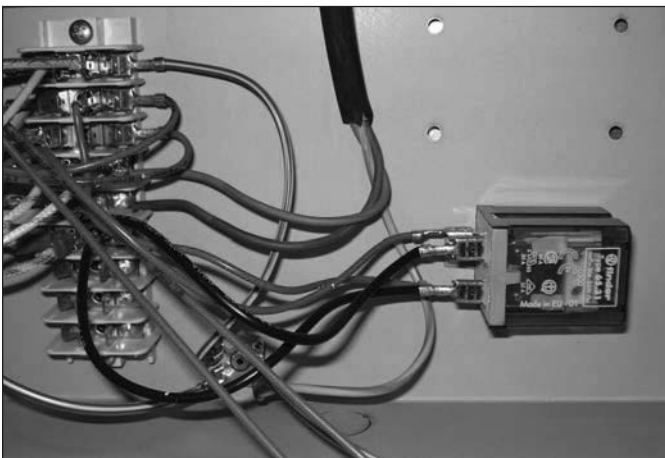
1. Remove the front panel, side and front glass and the gastronorm trays according prior procedures.
2. Remove the screws that secure the shelf on the backside.
3. Remove the screws that secure the cover on the electric box and lower the cover.
4. Disconnect the wiring of the heating element.
5. Remove the shelf by lifting it out of the bottom side and guide the wiring outside.
6. Remove the price rail and holder from the shelf.
7. Reverse the procedure to install.

LAMP HOLDER



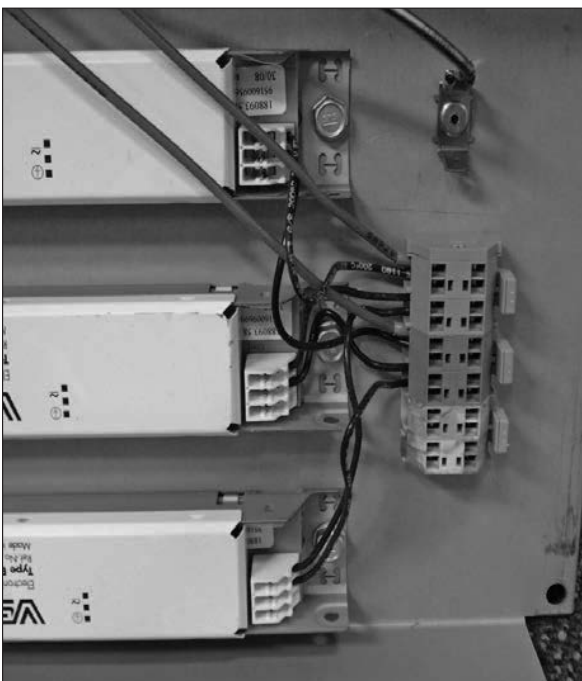
1. Remove the front glass (only full service) and the lamp.
2. Remove the holder out of the clipped fixation and pull the wiring outside for about 5 cm.
3. Disconnect the wiring by turning and pulling of the wire.
4. Reverse the procedure to install.

RELAY



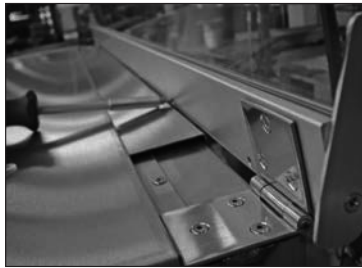
1. Remove the front panel according prior procedure.
2. Remove the screws that secure the cover on the electric box and lower the cover.
3. Remove the wiring from the relay.
4. Remove the screws that secure the relay and remove the relay.
5. Reverse the procedure to install.

ELECTRONIC BALLAST



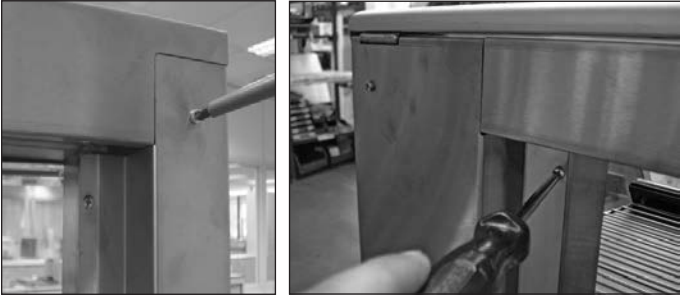
1. Remove the front panel according prior procedure.
2. Remove the screws that secure the cover on the electric box and lower the cover.
3. Remove the wiring from the Ballast.
4. Remove the screws that secure the ballast and remove the ballast.
5. Reverse the procedure to install.

CURVED GLASS (SELF SERVICE)



2. Remove the cover plates on the mounting profile (if necessary).
3. Loosen the adjusting screws that secure the glass with the a torques key TX15.
4. Remove the curved glass.
5. Place the new glass with the plastic protection profile.
6. Reverse the procedure to install.

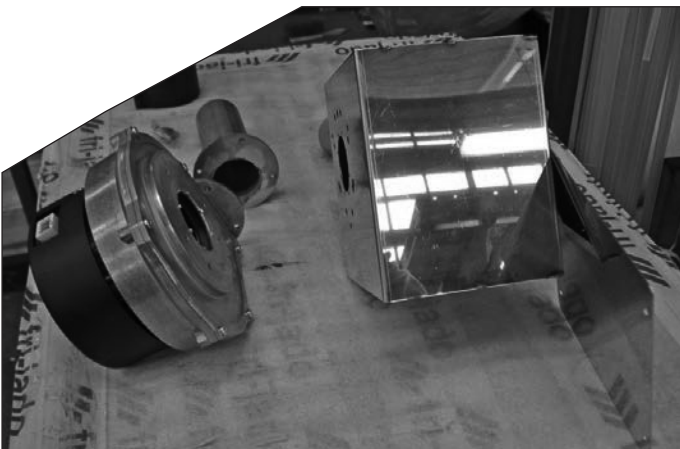
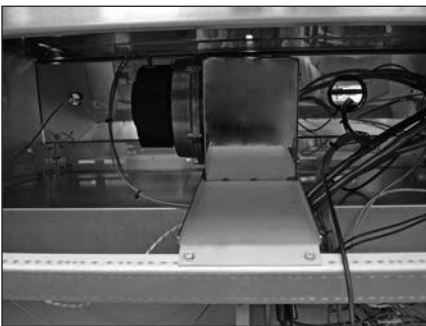
HEATING ELEMENT IN TOP (MC 100 HOT SELF SERVICE)



1. Remove the side glass and the cover profile on the left and right hand side on the backside according prior procedures.
2. Remove, on the top side, the screws that secure the light fixture and turn the light fixture downwards.
3. Slide the insulation sleeve backwards on both sides of the element and remove the wiring.
4. Remove the nuts on both ends on the heating element and remove the element.
5. Reverse the procedure to install.

Note: Don't forget to put the sleeves back on there places.

BLOWER (SELF SERVICE)



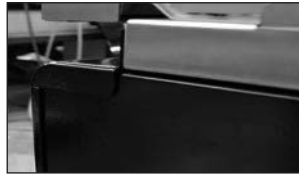
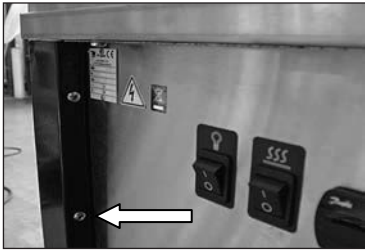
1. Remove the front panel according prior procedure.
2. Remove the bolts that secure the mounting plate of the blower assembly and move the assembly towards yourselves.
3. Remove the wiring from the blower.
4. Remove the screws that secure the cover plate on the blower housing and remove the plate.
5. Remove the screws that secure the blower and remove the blower.
6. Remove the screws that secure the tube with flange and remove the flange.
7. Reverse the procedure to install.

Note: See to it that the steel tubes of the blower are fitted back again inside the PVC tubing.

REMOVAL AND REPLACEMENT OF PARTS IN COLD VERSION

WARNING: Disconnect the electrical power to the machine at the main circuit box. Place a tag on the circuit box indicating the circuit is being serviced.

SIDE PANELS



1. Remove the 3 screws on the backside that hold the panel.
2. Slide the side panel backwards and remove the panel.
3. Reverse the procedure to install.



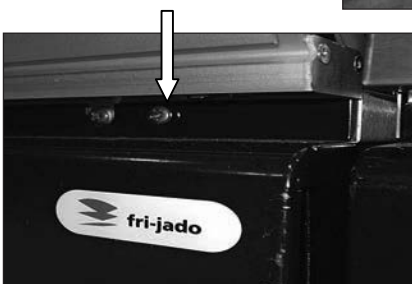
Note: When placing the plate back lift the plate against the top side and pull the plate on the bottom side to guide it past the side.

FRONT PANEL



1. Loosen the 2 screws on the bottom front-side.
2. Remove the 2 screws on the top side and remove the panel.
3. Reverse the procedure to install.

Note: When placing the front back see to it that it fits over the side panels.



SLIDING WHEEL ON DOOR



Old version with separate handles



New version with integrated handles

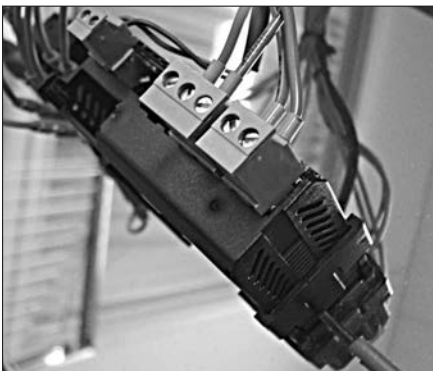
1. Remove the door by lifting this out of the runner and bring it towards yourself.
2. Use a drill of 4.2 mm to drill out the 2 pop rivets.
3. Fix the new wheel again with pop rivets of 4.2 mm.
4. Place the door back again.



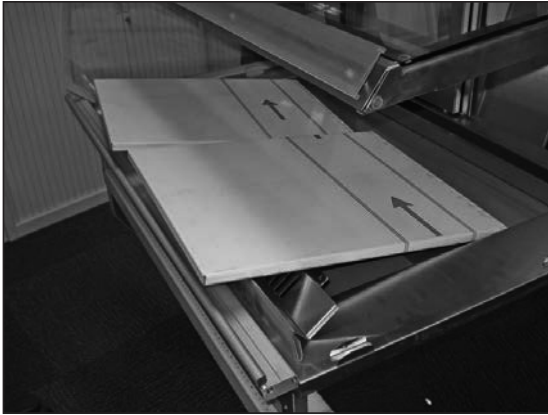
THERMOSTAT (DANFOSS)



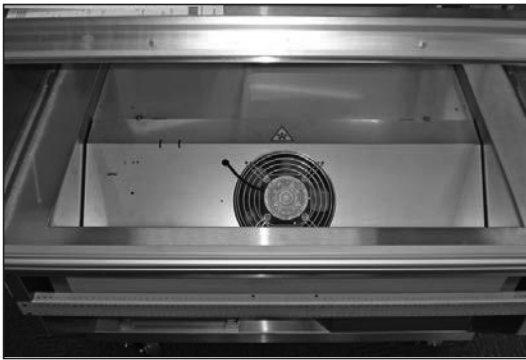
1. Remove the 3 screws that secure the cover panel and remove the panel.
2. Remove the 2 screws that secure the operation panel and remove the panel.
3. Loosen the blocking clips on the sides of the thermostat and remove thermostat from housing.
4. Remove the wiring from the thermostat.
5. Reverse the procedure to install.



TEMPERATURE SENSOR



1. (Full service only) Remove the front glass.
2. Remove the suction grid and the 2 flat plates on the bottom side inside the cabinet.
3. Remove the 2 screws that secure the blower plate and turn the blower plate.
5. Cut the tyrap that holds the sensor and remove the sensor.
6. Remove the operation panel according prior procedure and disconnect the wiring of the sensor on the thermostat.
7. Remove the sensor.
8. Reverse the procedure to install.



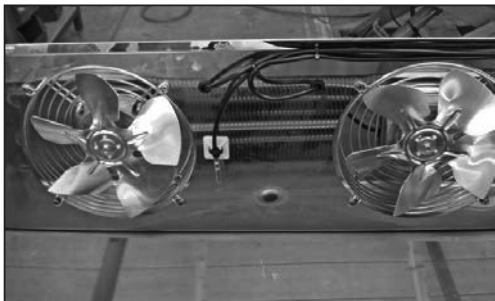
Note 1: When refitting the sensor it is easiest to guide the wiring of the sensor through the hole starting on the bottom side.



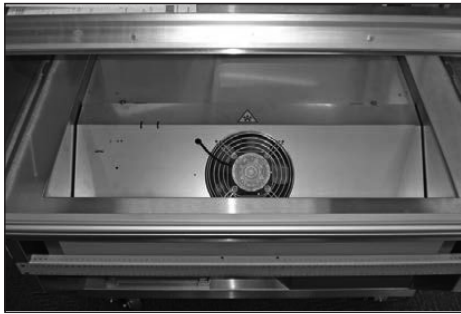
Full service
older model
1 blower

Note 2: The sensor wiring will pass through the polyurethane foam. When installing the new sensor some extra sealant should be applied to recreate a watertight fit.

Full and
Self service
2 blowers

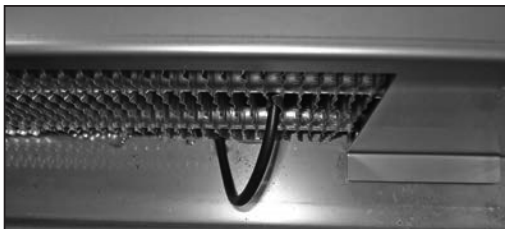
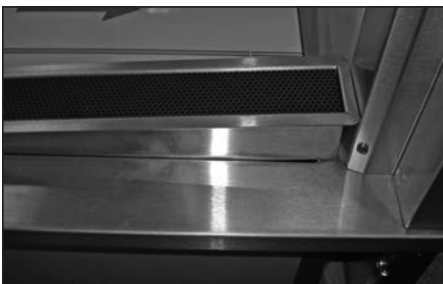
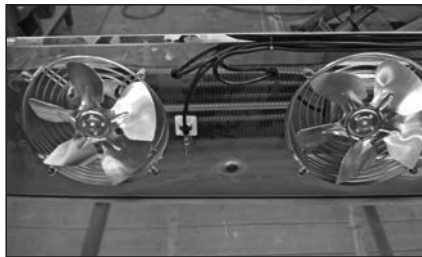


DEFROST SENSOR



Full service
older model
1 blower

Full and
Self service
2 blowers



1. Remove the front glass (full service only), suction grid, the 2 flat plates, blower plate and operation panel according prior procedures.
2. Lift out the holder with the honeycomb profile.
3. Measure the distance and place where the sensor is placed inside the evaporator. Remove the sensor from between the segments of the evaporator.
4. Disconnect the wiring on the thermostat and remove the sensor.
5. Reverse the procedure to install.

Note 1: When refitting the sensor it is easiest to guide the wiring of the sensor through the hole starting on the bottom side.

Note 2: The sensor wiring will pass through the polyurethane foam. When installing the new sensor some extra sealant should be applied to recreate a watertight fit.



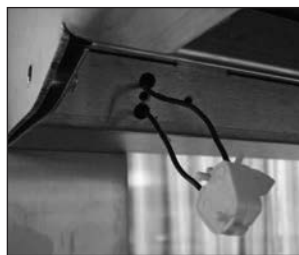
TUMBLE SWITCH LIGHT AND COOLING



1. Open the operation panel according prior procedure.
2. Disconnect the wiring.
3. Remove the switch by pushing the clamps on both sides.
4. Reverse the procedure to install.



LAMP HOLDER

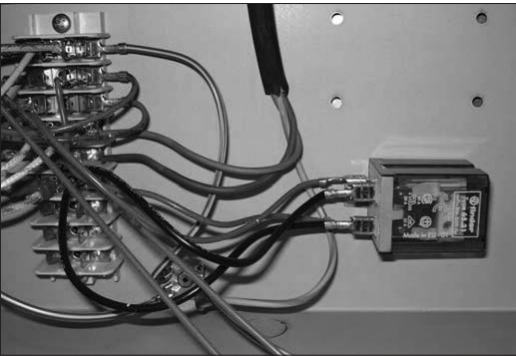


1. Remove the front glass (only full service) and the lamp.
2. Remove the holder out of the clipped fixation and pull the wiring outside for about 5 cm.
3. Disconnect the wiring by turning and pulling of the wire.
4. Reverse the procedure to install.

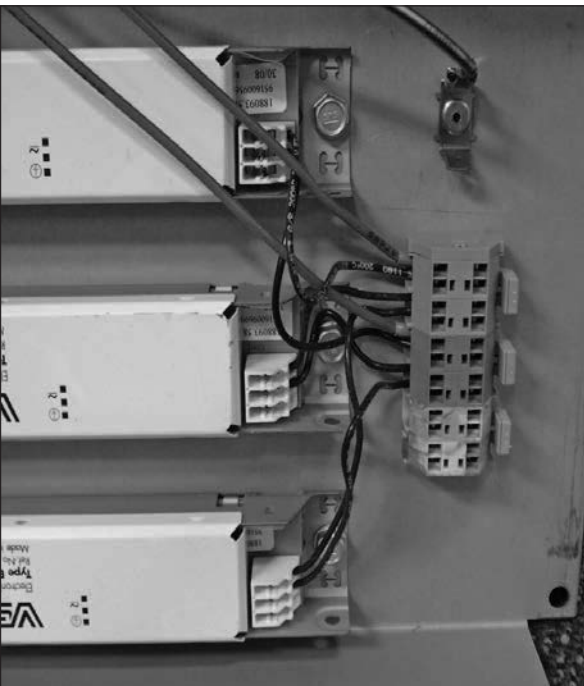
RELAY



1. Remove the cover panel according prior procedure.
2. Remove the screw that secures the ventilation backpanel and remove the panel.
3. Remove the screws that secure the cover on the electric box and lower the cover.
3. Remove the wiring from the relay.
4. Remove the screws that secure the relay and remove the relay.
5. Reverse the procedure to install.



ELECTRONIC BALLAST



1. Remove the cover panel and the ventilation back panel according prior procedures.
2. Remove the screws that secure the cover on the electric box and lower the cover.
3. Remove the wiring from the ballast.
4. Remove the screws that secure the ballast and remove the ballast.
5. Reverse the procedure to install.

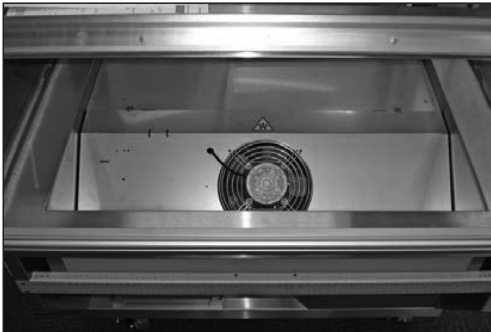
CURVED GLASS (SELF SERVICE)



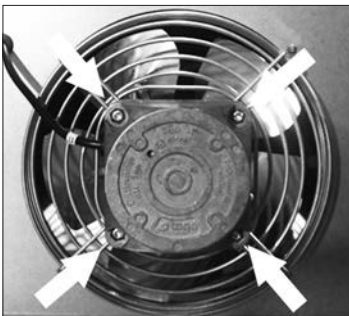
1. Turn the curved glass to the top position.
2. Remove the cover plates on the mounting profile (if necessary).
3. Loosen the adjusting screws that secure the glass with the a torques key TX15.
4. Remove the curved glass.
5. Place the new glass with the plastic protection profile.
6. Reverse the procedure to install.



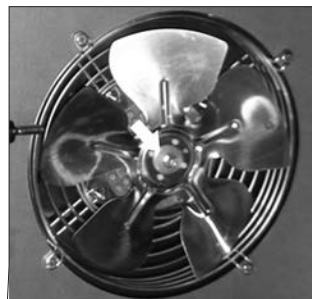
BLOWER(S)



1. Remove the blower plate according prior procedure.
2. Disconnect the wiring of the blower.
3. Remove the bolt that secures the fan blade and remove the fan blade.
4. Remove the 4 screws that secure the the motor to the grill and remove the motor.
5. Reverse the procedure to install.



Note: The blower blade may be sharp.



ELECTRICAL TESTS AND SERVICE PROCEDURES HOT VERSION

WARNING: Disconnect the electrical power to the machine at the main circuit box. Place a tag on the circuit box indicating the circuit is being serviced.

HEATING ELEMENT TEST

Note: When testing the resistance of the element remove the wiring.

Type	Wattage/Voltage	Resistance Ω -0% + 10%	Current A
MC 30 and 40 Hot full and self service	900 / 208	48.0	4.3

TL LAMP TEST

Type	Wattage/Voltage	Resistance Ω -0% + 10%	Current A
TL lamp 21 W/830	24 / 208	8 -10	3.9

Note: When the resistance is ∞ than the lamp is broken.

PTC 1K SENSOR TEST

1. Remove the front glass (full service only), the side glasses, the screws on the shelf support and the sensor holder according to prior procedures.
2. Remove the wiring from the sensor.
3. Connect a temperature tester to the probe of the sensor for comparison.
4. Test the probe with an Ohmmeter.

Temperature		Resistance
$^{\circ}\text{F}$	$^{\circ}\text{C}$	± 10 Ohms
60	16	930
70	21	970
80	27	1016
90	32	1056
100	38	1107
125	52	1227
150	65	1347
200	94	1636
250	121	1935

CONTACTOR, BLOWER AND TRANSFORMER TEST

Note: When testing the resistance remove the wiring.

Type	Description	Voltage	Resistance
MC 30 and 40 Hot full and self service	Contactor	208 V	Resistance of coil (A1 - A2) ~ 525 Ω
MC 30 and 40 Hot full and self service	Blower See picture below	115 V	Between 1-2 ~3.5 M Ω
MC 30 and 40 Hot full and self service	Transformer	208 / 115 V	Between orange and brown wire ~5.5 Ω Between red and red wire ~2.5 Ω Between all other combinations infinite



ADJUSTING DANFOSS ERC 211 THERMOSTAT

Changing temperature setpoint

Example screens

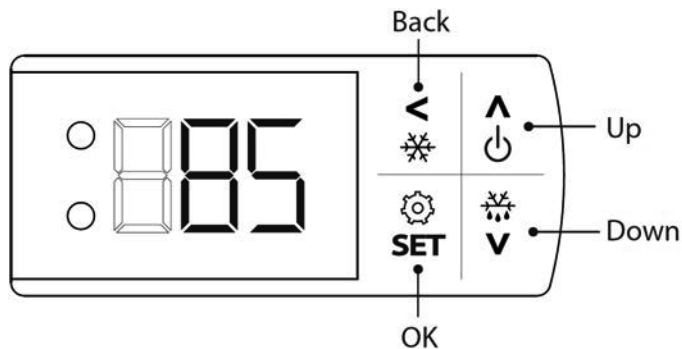
1. Press briefly to access setpoint mode	
2. Change value with or	
3. Press to confirm	
When no key is pressed after last confirmation, the system goes back to normal operation after 10 seconds	

Programming menu

Example screens

1. Press for 3 seconds to access the menu	
2. Scroll through parameter groups with and	
3. Select parameter group with	
4. Scroll through parameter names with and	
5. Press to read out the value	
6. Change value with and	
7. Press to confirm	
8. Press to select the next parameter and follow instruction 3 to 7	
Use to go back in the parameter groups and once more to leave the programming menu	

ADJUSTING DANFOSS ERC 211 THERMOSTAT (CONTINUED)



Error codes on display:

E29: PT sensor broken or wiring problem sensor.

A01: High temperature alarm.

A02: Low temperature alarm.

A99: High voltage alarm.

AA1: Low voltage alarm.

oFF: Main switch alarm. Check parameter r12.

Wrong temperature displayed: Wrong type of sensor selected. Check o06.

When reporting error codes the unit is switched in stand-by mode and cannot be used until the problem is resolved.

DANFOSS ERC 211 SETTINGS FOR MC 30 AND 40 HOT FULL SERVICE

Note! Change r05 first and r03 after!

r00	Temperature set point	185	°F
r01	Differential	1.8	K
r02	Min set point limitation	32	°F
r03	Max set point limitation	210	°F
r04	Display offset	0	°F
r05	Display unit (°C/°F)	°F	
r09	Calibration of Sair	0	°F
r12	Main switch	1	
r13	Night set back	0	
r40	Thermostat reference displacement	0	
r96	Pull-down duration	0	
r97	Pull-down limit temperature	0	
A03	Delay for temperature alarm (normal conditions)	30	min
A12	Delay for temperature alarm (pull down/start-up/defrost)	60	min
A13	High temperature alarm limit	210	°F
A14	Low temperature alarm limit	-22	°F
A27	DI1 delay	30	min
A37	Condenser high alarm limit	176	°F
A54	Condenser high block limit	185	°F
A72	Voltage protection enable	no	
A73	Minimum cut-in voltage	0	V
A74	Minimum cut-out voltage	0	V
A75	Maximum voltage	270	V
d01	Defrost method (no=no defrost, nAt=natural)	no	
d02	Defrost stop temperature	40	°F
d03	Defrost Interval	8	hr.
d04	Max. defrost time	30	min
d05	Defrost delay at power up	0	min
d06	Drip delay	0	min

d10	Defrost stop sensor (non=time, Air=Sair)	non	
d18	Compressor accumulated	0	hr.
d30	Defrost delay after pull-down	0	min
c01	Compressor minimum ON time	0	min
c02	Compressor minimum OFF-time	0	min
c04	Compressor OFF delay	0	sec
c70	Zero crossing selection	yES	
o01	Delay of outputs	0	sec
o02	DI1 configuration	oFF	
o03	Serial address	0	
o05	Password	no	
o06	Sensor type selection (n5=NTC5 K, n10=NTC10 K, Ptc=PTC, Pt1=Pt1000)	Ptc	
o07	Cooling/heating (rE=refrigeration / Ht=heat)	Ht	
o15	Display resolution (°C)	0.1	
o23	Relay counter	0	
o61	Predefined applications	AP0	
o67	Save settings as factory	no	
o91	Display at defrost	d	
P73	DI1 input polarity	no	
P76	Keyboard lock enable	no	
u01	Air temperature (Sair)	-	°F
u02	Read the present regulation refer- ence	-	
u10	DI1 input	-	
u13	Status of night operation	-	
u58	Compressor relay status	-	-
u80	Firmware version readout	-	

DANFOSS ERC 211 SETTINGS FOR MC 30 AND 40 HOT SELF SERVICE

Note! Change r05 first and r03 after!

r00	Temperature set point	185	°F
r01	Differential	1.8	K
r02	Min set point limitation	32	°F
r03	Max set point limitation	210	°F
r04	Display offset	0	°F
r05	Display unit (°C/°F)	°F	
r09	Calibration of Sair	-18	°F
r12	Main switch	1	
r13	Night set back	0	
r40	Thermostat reference displacement	0	
r96	Pull-down duration	0	
r97	Pull-down limit temperature	0	
A03	Delay for temperature alarm (normal conditions)	30	min
A12	Delay for temperature alarm (pull down/start-up/defrost)	60	min
A13	High temperature alarm limit	210	°F
A14	Low temperature alarm limit	-22	°F
A27	DI1 delay	30	min
A37	Condenser high alarm limit	176	°F
A54	Condenser high block limit	185	°F
A72	Voltage protection enable	no	
A73	Minimum cut-in voltage	0	V
A74	Minimum cut-out voltage	0	V
A75	Maximum voltage	270	V
d01	Defrost method (no=no defrost, nAt=natural)	no	
d02	Defrost stop temperature	40	°F
d03	Defrost Interval	8	hr.
d04	Max. defrost time	30	min
d05	Defrost delay at power up	0	min
d06	Drip delay	0	min

d10	Defrost stop sensor (non=time, Air=Sair)	non	
d18	Compressor accumulated	0	hr.
d30	Defrost delay after pull-down	0	min
c01	Compressor minimum ON time	0	min
c02	Compressor minimum OFF-time	0	min
c04	Compressor OFF delay	0	sec
c70	Zero crossing selection	yES	
o01	Delay of outputs	0	sec
o02	DI1 configuration	oFF	
o03	Serial address	0	
o05	Password	no	
o06	Sensor type selection (n5=NTC5 K, n10=NTC10 K, Ptc=PTC, Pt1=Pt1000)	Ptc	
o07	Cooling/heating (rE=refrigeration / Ht=heat)	Ht	
o15	Display resolution (°C)	0.1	
o23	Relay counter	0	
o61	Predefined applications	AP0	
o67	Save settings as factory	no	
o91	Display at defrost	d	
P73	DI1 input polarity	no	
P76	Keyboard lock enable	no	
u01	Air temperature (Sair)	-	°F
u02	Read the present regulation refer- ence	-	
u10	DI1 input	-	
u13	Status of night operation	-	
u58	Compressor relay status	-	-
u80	Firmware version readout	-	

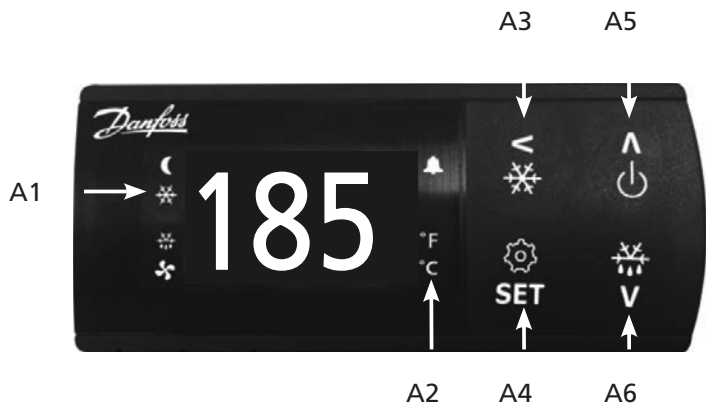
Note: r09 is a compensation when using a long sensor cable. That means that the sensor registers/works actually 18° higher then the setpoint. So temp. regulation is in fact on 185 + 18.

CONTROL LOCATIONS FULL AND SELF SERVE HOT



light switch
heating switch

thermostat ERC 211



- A1 Heating on/off
- A2 Indication °C or °F
- A3 Back key
- A4 OK/set key
- A5 Up key
- A6 Down key
- A7 Lighting switch
- A8 Heating switch

If the elements are switched on, the indicator lamp A1 will go on.



A7

A8

ELECTRICAL TESTS AND SERVICE PROCEDURES **COLD VERSION**

WARNING: Disconnect the electrical power to the machine at the main circuit box. Place a tag on the circuit box indicating the circuit is being serviced.

PTC 1K SENSOR TEST

1. Remove the front glass (full service only), suction grid, the 2 flat plates and the blower plate according to prior procedures.
2. Remove the wiring from the sensor.
3. Connect a temperature tester to the probe of the sensor for comparison.
4. Test the probe with an Ohmmeter.

Temperature		Resistance Ω
$^{\circ}\text{F}$	$^{\circ}\text{C}$	± 5 Ohms
-4	-20	683
14	-10	747
32	0	814
50	10	885
68	20	961
77	25	1000

HEATING ELEMENT TEST EVAPORATION TRAY

Note 1: When testing the resistance of the element remove the wiring.

Note 2: This element is self regulating and works with a PTC (positive temperature coefficient). It has a maximum power absorption when the evaporator tray is filled with water and a minimum power absorption in dry conditions (without water in evaporator tray). Depending on the water temperature in the water tray and the water level the power absorption varies.

Type	Wattage/Voltage	Resistance Ω -5% + 10%	Current A
MC 30 and 40 Cold Full Service	200 / 110	self regulating 200 - 400	1.81

TL LAMP TEST

Type	Wattage/Voltage	Resistance Ω -5% + 10%	Current A
TL lamp 21 W/830	24 / 208	8-10	3.9



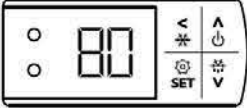
TEMPERATURE STANDARD COMPLIANCE

The cold deli merchandisers complies with the NEN-EN-ISO 23953-2:2005 standard, this standard specifies requirements for the construction, characteristics and performance of refrigerated display cabinets used in the sale and display of foodstuffs.

ADJUSTING DANFOSS ERC 213 THERMOSTAT

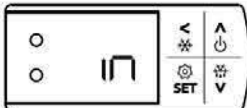
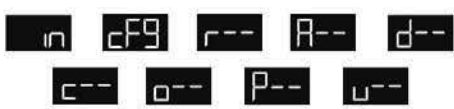


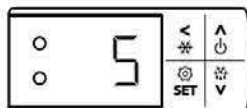


Changing temperature setpoint

Example screens

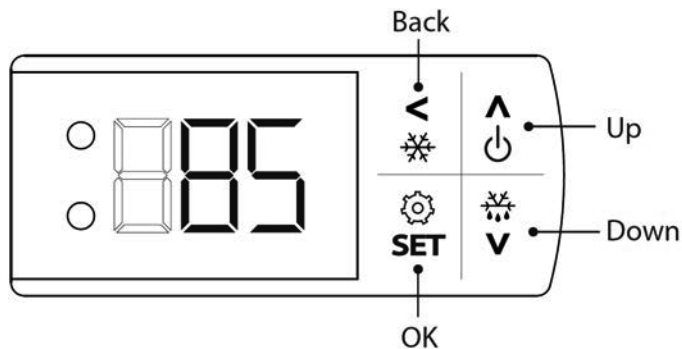
1. Press briefly to access setpoint mode	
2. Change value with or	
3. Press to confirm	
When no key is pressed after last confirmation, the system goes back to normal operation after 10 seconds	

Programming menu

Example screens

1. Press for 3 seconds to access the menu	
2. Scroll through parameter groups with and	
3. Select parameter group with	
4. Scroll through parameter names with and	
5. Press to read out the value	
6. Change value with and	
7. Press to confirm	
8. Press to select the next parameter and follow instruction 3 to 7	
Use to go back in the parameter groups and once more to leave the programming menu	

ADJUSTING DANFOSS ERC 213 THERMOSTAT (CONTINUED)



Error codes on display:

E29: PT sensor broken or wiring problem sensor.

A01: High temperature alarm.

A02: Low temperature alarm.

A99: High voltage alarm.

AA1: Low voltage alarm.

oFF: Main switch alarm. Check parameter r12.

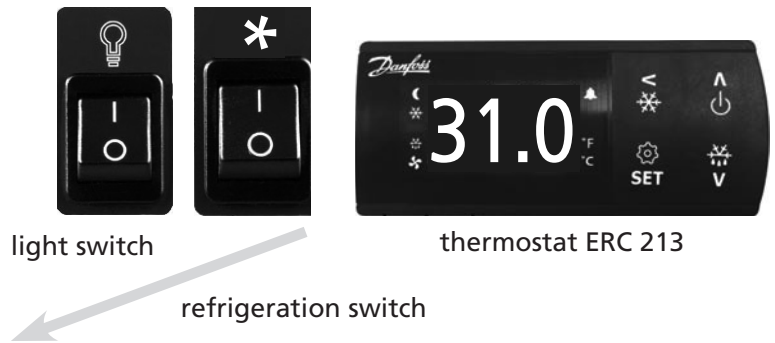
Wrong temperature displayed: Wrong type of sensor selected. Check o06.

When reporting error codes the unit is switched in stand-by mode and cannot be used until the problem is resolved.

DANFOSS ERC 213 SETTINGS FOR MC 30 AND 40 COLD FS

r00	Temperature set point	31	°F	d30	Defrost delay after pull-down	0	min
r01	Differential	3.6	K	F01	Fan at compressor cut-out	FAo	
r02	Min set point limitation	30	°F	F04	Fan stop evaporating temperature	50	°C
r03	Max set point limitation	40	°F	F07	Fan ON cycle	2	min
r04	Display offset	0	°C	F08	Fan OFF cycle	2	min
r05	Display unit (°C/°F)	°C		c01	Compressor minimum ON time	0	min
r09	Calibration of Sair	0.9	K	c02	Compressor minimum OFF-time	3	min
r12	Main switch	1		c04	Compressor OFF delay	0	min
r13	Night set back	0		c70	Zero crossing selection	yES	
r40	Thermostat reference displacement	0		o01	Delay of outputs	5	sec
r96	Pull-down duration	0		o02	DI1 configuration	oFF	
r97	Pull-down limit temperature	0		o03	Serial address	0	
A03	Delay for temperature alarm (normal conditions)	30	min	o05	Password	no	
A12	Delay for temperature alarm (pull down/start-up/defrost)	60	min	o06	Sensor type selection (n5=NTC5 K, n10=NTC10 K, Ptc=PTC, Pt1=Pt1000)	Ptc	
A13	High temperature alarm limit	50	°F	o15	Display resolution (°C)	0.1	
A14	Low temperature alarm limit	-22	°F	o23	Relay 1 counter	0	
A27	DI1 delay	30	min	o24	Relay 2 counter	0	
A28	DI2 delay	30	min	o25	Relay 3 counter	0	
A37	Condenser high alarm limit	176	°F	o37	DI2 configuration	oFF	
A54	Condenser high block limit	185	°F	o61	Predefined applications	AP0	
A72	Voltage protection enable	no		o67	Save settings as factory	no	
A73	Minimum cut-in voltage	0	V	o71	DO2 configuration	dEF	
A74	Minimum cut-out voltage	0	V	o91	Display at defrost	-d-	
A75	Maximum voltage	270	V	P73	DI1 input polarity	no	
d01	Defrost method (no=no defrost, nAt=natural)	nAt		P74	DI2 input polarity	no	
d02	Defrost stop temperature	41	°F	P76	Keyboard lock enable	no	
d03	Defrost Interval	4	hr.	u00	Controller Status	-	
d04	Max. defrost time	45	min	u01	Air temperature (Sair)	-	°C
d05	Defrost delay at power up	0	min	u02	Read the present regulation reference	-	°C
d06	Drip delay	0	min	u09	Defrost temperature (S5)	-	°C
d07	Fan delay after defrost	0		u10	DI1 input	-	
d08	Fan start temperature	-5	°C	u13	Status of night operation	-	
d09	Fan during defrost	on		u37	DI2 input	-	
d10	Defrost stop sensor (non=time, Air=Sair, dEF=S5 (defrost sensor))	dEF		u58	Compressor relay status	-	
d18	Compressor accumulated	4	hr.	u59	Fan relay status	-	
d19	Defrost on demand	20		u60	Defrost relay status	-	
				u80	Firmware version readout	-	

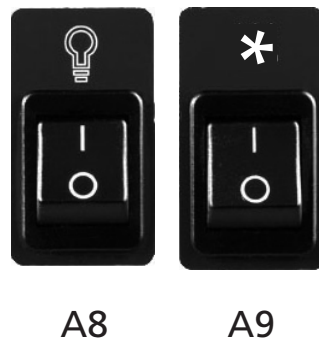
CONTROL LOCATIONS FULL SERVICE COLD



- A1 Refrigeration on/off
- A2 Defrosting on/off
- A3 Indication °C or °F
- A4 Back key
- A5 OK/set key
- A6 Up key
- A7 Down key
- A8 Lighting switch
- A9 Cooling switch

If the elements are switched on, the indicator lamp A1 will go on.

If the defrosting cycle is switched on, the indicator lamp A2 will go on.



TROUBLESHOOTING

TROUBLESHOOTING MODULAR COUNTER 30 AND 40 HOT

Symptom	Possible causes
No power to cabinet controls.	<ol style="list-style-type: none"> 1. Main breaker open. 2. Fuse F1 / F2 burned. 3. Heating switch malfunction. 4. Wiring loose.
Main fuse or breaker blows.	<ol style="list-style-type: none"> 1. Wiring incorrectly. 2. Heating element shorted. 3. Blower shorted. 3. Wiring shorted.
Illumination does not work.	<ol style="list-style-type: none"> 1. Lamp malfunction. 2. Tumble switch malfunction. 3. Electronic ballast malfunction. 4. Wiring loose.
No heating.	<ol style="list-style-type: none"> 1. Heating element malfunction. 2. Contactor malfunction. 3. Thermostat malfunction. 4. Sensor wiring loose/ sensor malfunction. 5. Blower for heating malfunction. 6. Transformer malfunction. 7. Wiring loose.
Heating stays in.	<ol style="list-style-type: none"> 1. Contactor malfunction. 2. Sensor not in right position. 3. Sensor malfunction. 4. Thermostat malfunction.
No indication on electronic thermostat.	<ol style="list-style-type: none"> 1. Electronic thermostat malfunction. 2. Heating switch malfunction. 3. Wiring loose.
Blower motor does not run.	<ol style="list-style-type: none"> 1. Mator inoperative. 2. Transformer malfunction. 3. Fuse F3 burned. 4. Wiring loose.

ANALYTIC TROUBLESHOOTING MODULAR COUNTER 30 AND 40 HOT

This is an analytic description for servicing and repairing all major parts of the Modular Counter Hot. It consists of 4 basic steps to recognize and solve the problems:

1. Symptoms.
2. Possible causes.
3. Solving of the problem: checking/action.
4. Replacing of parts and testing:
 - a. Replacing is described in this service manual.
 - b. For testing see control locations on page 28 of this manual.

Description of part	Symptoms	Possible causes	Solving: checking / action
Contactator	Contactator does not come in.	Wiring Coil malfunction Contact burned	Check the wiring Check resistance of coil. This should be $\pm 525\Omega$ Check the contacts
Heating element	The cabinet is not reaching the adjusted temperature.	Wiring Element malfunction	Check the wiring Check the power on the element Check current with AC current tester. See table on page 22
Tumble switch	Light or heating does not switch on.	Wiring Contact burned	Check the wiring Check the voltage on "in"- and "output".
Electronic ballast	Light does not switch on.	Wiring Ballast malfunction	Check the wiring Replace ballast
lamp(s)	Light does not switch on.	Wiring Lamp(s) broken	Check the wiring Replace lamp(s)
Electronic thermostat	Display does not light up. The cabinet is not reaching the adjusted temperature or does not heat up at all.	Wiring Loose sensor/sensor malfunction Thermostat malfunction	Check the wiring Check sensor Replace thermostat
PTC 1k sensor	The cabinet is not reaching the adjusted temperature or does not heat up at all. The cabinet becomes too hot.	Broken sensor Loose sensor wiring Broken sensor Sensor shorted	Replace sensor Check wiring Replace sensor Check wiring
Ringcore transformer	Blower motor doesn't run.	Wiring Transformer malfunction	Check the wiring Check power on transformer Check the 115V outgoing signal Check the resistance of the coils. See page 23.
Blower heating system	Blower doesn't run. Main fuse burned.	Wiring Short circuit in coil to earth	Check wiring Check voltage on blower Check insulation value of coil with a Megger on max. 500V Minimum value is $0.5M\Omega$

TROUBLESHOOTING MODULAR COUNTER 30 AND 40 COLD

Symptom	Possible causes
No power to cabinet controls.	<ol style="list-style-type: none"> 1. Main breaker open. 2. Cooling switch malfunction. 3. Wiring loose.
Main fuse or breaker blows.	<ol style="list-style-type: none"> 1. Wiring incorrectly. 2. Heating element in drip tray shorted. 3. Blower shorted. 4. Wiring shorted.
Illumination does not work.	<ol style="list-style-type: none"> 1. Lamp malfunction. 2. Lighting switch malfunction. 3. Electronic ballast malfunction. 4. Wiring loose.
Display does not reach set temperature.	<ol style="list-style-type: none"> 1. PTC 1k temperature sensor malfunction. 2. Cooling system inoperative or malfunction. 3. Contactor malfunction. 4. Defrosting sensor malfunction. 5. Incorrectly programmed thermostat. 6. One or more blowers malfunction. 7. Unit is positioned in direct sunlight or near a heat source. 8. Products are stacked too high. 9. Unit is wrongly installed and cannot dispose of heat.
Cooling system does not initiate (compressor does not run)	<ol style="list-style-type: none"> 1. PTC 1k temperature sensor malfunction. 2. Compressor defective or parts associated with it. 3. Contactor malfunction. 4. Incorrectly programmed thermostat. 5. Defrosting sensor malfunction. 6. Wiring loose.
Evaporation drip tray overflowing.	<ol style="list-style-type: none"> 1. Heater(s) inoperative or malfunction. 2. Relative humidity of the surrounding area too high. 3. Wiring loose.
No indication on electronic thermostat, but lighting functions.	<ol style="list-style-type: none"> 1. Cooling switch malfunction. 2. Electronic thermostat malfunction. 3. Wiring loose.
Blower motor does not run.	<ol style="list-style-type: none"> 1. Cooling switch malfunction. 2. Blower motor malfunction. 3. Wiring loose.
No air circulation within the merchandiser.	<ol style="list-style-type: none"> 1. Obstruction of one or more ventilation openings in the rear. 2. One or more blowers inoperative or malfunction. 3. Evaporator frosted or clogged with dirt.
Evaporator full of ice.	<ol style="list-style-type: none"> 1. Setpoint too low. 2. Humidity too high. 3. Defrost sensor not in right position. 4. Defrost sensor malfunction. 5. Parameters not according to specified values. 6. Electronic thermostat malfunction.

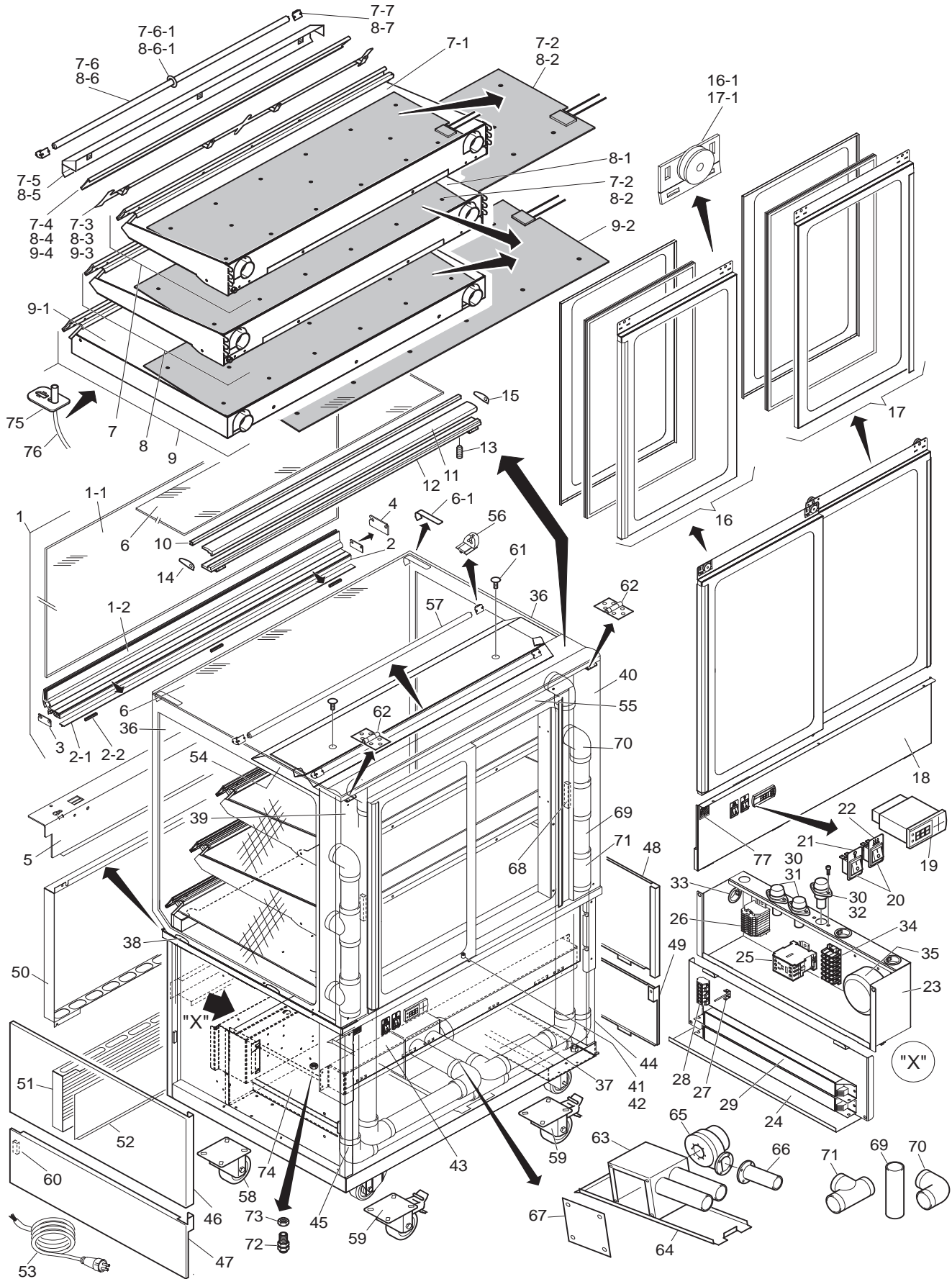
ANALYTIC TROUBLESHOOTING MODULAR COUNTER 30 AND 40 COLD

This is an analytic description for servicing and repairing all major parts of the Modular Counter Cold. It consists of 4 basic steps to recognize and solve the problems:

1. Symptoms.
2. Possible causes.
3. Solving of the problem: checking/action.
4. Replacing of parts and testing:
 - a. Replacing is described in this service manual.
 - b. For testing see control locations on page 24 of this manual.

Description of part	Symptoms	Possible causes	Solving: checking / action
Contactator	Contactator does not come in.	Wiring Coil malfunction Contact burned	Check the wiring Check resistance of coil. This should be $\pm 525\Omega$ Check the contacts
Heating element evaporator tray	Evaporator tray overflowing.	Wiring Element malfunction	Check the wiring Check the power on the element Check current with AC current tester. See table on page 29
Tumble switch	Light or cooling does not switch on.	Wiring Contact burned	Check the wiring Check the voltage on "in"- and "output".
Electronic ballast	Light does not switch on.	Wiring Ballast malfunction	Check the wiring Replace ballast
lamp(s)	Light does not switch on.	Wiring Lamp(s) broken	Check the wiring Replace lamp(s)
Electronic thermostat	Display does not light up The cabinet is not reaching the adjusted temperature or does not cool at all.	Wiring Loose sensor/sensor malfunction Thermostat malfunction	Check the wiring Check sensor Replace thermostat
PTC 1k sensor	The cabinet is not reaching the adjusted temperature or does not heat up at all. The cabinet becomes too hot.	Broken sensor Loose sensor wiring Broken sensor Sensor shorted	Replace sensor Check wiring Replace sensor Check wiring
Blower	Blower doesn't run. Main fuse burned.	Wiring Coil malfunction Short circuit in coil to earth	Check wiring Check voltage on blower Check resistance of coil. This should be $\pm 330\Omega$ Check insulation value of coil with a Megger on max. 500V Minimum value is $0.5M\Omega$

MODULAR COUNTER 30 HOT FULL SERVICE CUBE SQUARE



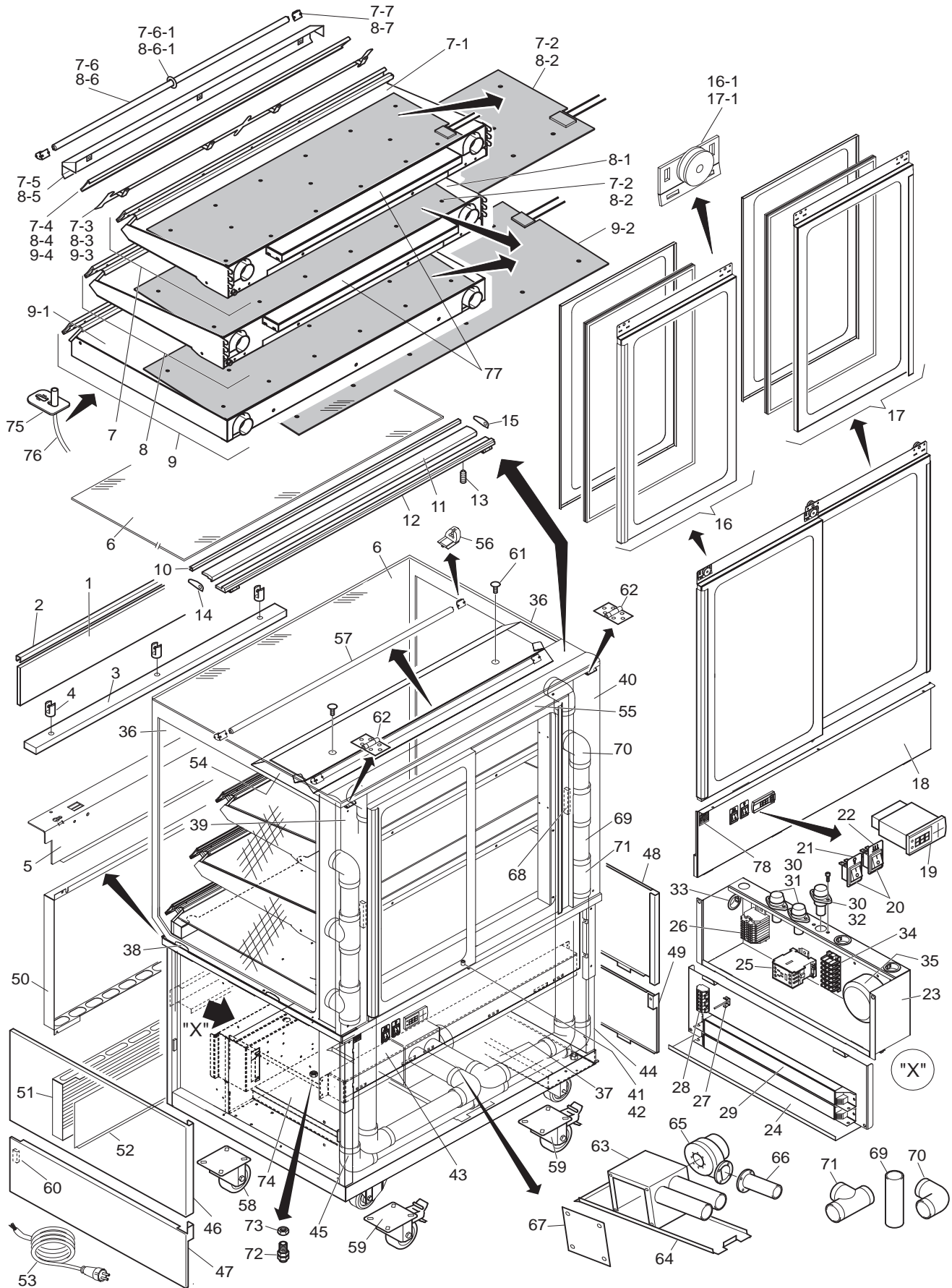
Item	Part number	Qty	Description
1	9280272S	1	Front glass, square, complete with profiles
1-1	1	Front glass, square, without profiles
1-2	9283033	1	Glassholder profile
2	9283019	1	Base profile glassholder
2-1	9283031	1	Cover profile
2-2	9281019	3	Plastic clip
3	9284097	1	Cover plate, left
4	9284098	1	Cover plate, right
5	9284599	1	Mounting profile, glassholder
6	9282142S	1	Top glass, square, complete with clips
6-1	9284869	2	Glass clip
7	1	Top shelf assembly, incl. heating element
7-1	9284963	1	Top plate, shelf
7-2	9282201	1	Heating element 208 V, 900 W
7-3	9284763	1	Holder, price rail
7-4	9283030	1	Price rail, transparent
7-5	9284964	1	Light fixture
7-6	9271000	1	TL lamp 21 W, with 1 locking ring
7-6-1	9221050	1	Locking ring
7-7	9221025	2	Lamp holder
8	1	Middle shelf assembly, incl. heating element
8-1	9284962	1	Top plate, shelf
8-2	9282201	1	Heating element 208 V, 900 W
8-3	9284763	1	Holder, price rail
8-4	9283030	1	Price rail, transparent
8-5	9284964	1	Light fixture
8-6	9271000	1	TL lamp 21 W, with 1 locking ring
8-6-1	9221050	1	Locking ring
8-7	9221025	2	Lamp holder
9		Bottom shelf assembly, incl. heating element
9-1	9284961	1	Top plate, shelf
9-2	9282201	1	Heating element 208 V, 900 W
9-3	9284763	1	Holder, price rail
9-4	9283030	1	Price rail, transparent
10	9261024	1 mtr	Protection profile, plastic
11	9283027	1	Clamp, glassholder
12	9283028	1	Base profile, glassholder
13	9261027	6	Socket set screw M6x8 mm, Torx
14	9284095	1	Cover plate, left
15	9284096	1	Cover plate, left
16	9280132S	1	Sliding door ass., left
16-1	9281010	2	Sliding wheel
17	9280133S	1	Sliding door ass., right
17-1	9281010	2	Sliding wheel
18	9284970	1	Operating panel

Item	Part number	Qty	Description
19	9221109	1	Thermostat ERC 211
20	9181008	2	Tumble switch
21	9181071	1	Sticker, lighting
22	9181072	1	Sticker, heating
23	9285133	1	Connection box
24	9284134	1	Cover, box
25	3500069	1	Contactora
26	9292038	1	Connecting block 1 to 6
27	8071060	4	Earth connection, 2-pole
28	8072071	1	Connecting block, mains
29	9221069	2	Ballast TL 1 or 2 F28T5, F21T5, F14T5 HE
30	9044205	3	Fuseholder HPS-EE, for SC fuse
31	9110250	2	Fuse SC10 300V
32	9181049	1	Fuse SC2.5 Bussmann
33	9070840	3	Grommet SB-1093-15 black polyamide
34	9151010	1	Connecting block, 9-pole
35	9222302	1	Transformer 208-120V
36	9282143S	2	Side glass
37	9284420	2	Mounting profile, castors
38	9284064	4	Glass holder
39	9284714	1	Cover profile, left
40	9284713	1	Cover profile, right
41	9040659	2	Nylon bush
42	0141149	2	Screw M5x16 mm.
43	9284061	1	Mounting bracket, back side
44	9284424	1	Stand, right
45	9284423	1	Stand, left
46	9284967	1	Side panel, left, top RAL 7022
47	9284968	1	Skirting, left. RAL 7022
48	9284965	1	Side panel, right, top RAL 7022
49	9284966	1	Skirting, right. RAL 7022
50	9284446	1	Front panel, top. RAL 7022
51	9284447	1	Skirting, front. RAL 7022
52	9284448	1	Blind plate, skirt. RAL 7022
53	9172401	1	Connecting cable with plug NEMA 6-20P
54	9284617	1	Light fixture
55	9284742	1	Counter profile
56	6511627	6	Lamp holder
57	9271000	3	TL lamp 21 W / 830
58	9172065	2	Swivel castor
59	9172066	2	Swivel castor with break
60	9191182	2	Magnet
61	9281038	2	Support cap
62	9283013	2	Hinge
63	9280405	1	Blower housing

Item	Part number	Qty	Description
64	9284706	1	Fastening plate
65	9191280	1	Blower 115V, 60Hz
66	9280406	1	Tube with flange
67	9284705	1	Cover plate
68	9191182	2	Magnet
69	9281035	4 mtr	PVC tube Ø 50 x 3.7 mm
70	9281032	10	PVC elbow 50 mm
71	9281033	5	PVC T-joint 50 mm
72	9222076	1	Strain relief M25
73	9222077	1	Nut, strain relief M25
74	9284116	1	Cover plate
75	9224718	1	Sensor holder
76	9221011	1	Temperature sensor
77	9110810	1	Indication plate

EMPTY PAGE

MODULAR COUNTER 30 HOT SELF SERVICE CUBE SQUARE



Item	Part number	Qty	Description
1	9282077	1	Front glass
2	3102632	0.8 mtr	Protection profile (plastic)
3	9284253	1	Support profile
4	9262076	3	Glass holder
5	9284599	1	Mounting profile, glassholder
6	9282142	1	Top glass, square
7	1	Top shelf assembly, incl. heating element
7-1	9284963	1	Top plate, shelf
7-2	9282201	1	Heating element 208 V, 900 W
7-3	9284763	1	Holder, price rail
7-4	9283030	1	Price rail, transparent
7-5	9284964	1	Light fixture
7-6	9271000	1	TL lamp 14 W
7-6-1	9221050	1	Locking ring
7-7	9221025	2	Lamp holder
8	1	Middle shelf assembly, incl. heating element
8-1	9284962	1	Top plate, shelf
8-2	9282201	1	Heating element 208 V, 900 W
8-3	9284763	1	Holder, price rail
8-4	9283030	1	Price rail, transparent
8-5	9284964	1	Light fixture
8-6	9271000	1	TL lamp 14 W, with 1 locking ring
8-6-1	9221050	1	Locking ring
8-7	9221025	2	Lamp holder
9		Bottom shelf assembly, incl. heating element
9-1	9284961	1	Top plate, shelf
9-2	9282201	1	Heating element 208 V, 900 W
9-3	9284763	1	Holder, price rail
9-4	9283030	1	Price rail, transparent
10	9261024	1 mtr	Protection profile, plastic
11	9283027	1	Clamp, glassholder
12	9283028	1	Base profile, glassholder
13	9261027	6	Socket set screw M6x8 mm, Torx
14	9284095	1	Cover plate, left
15	9284096	1	Cover plate, right
16	9280132S	1	Sliding door ass., left
16-1	9281010	2	Sliding wheel
17	9280133S	1	Sliding door ass., right
17-1	9281010	2	Sliding wheel
18	9284977	1	Operating panel
19	9221109	1	Thermostat ERC 211
20	9181008	2	Tumble switch
21	9181071	1	Sticker, lighting
22	9181072	1	Sticker, heating
23	9285133	1	Connection box

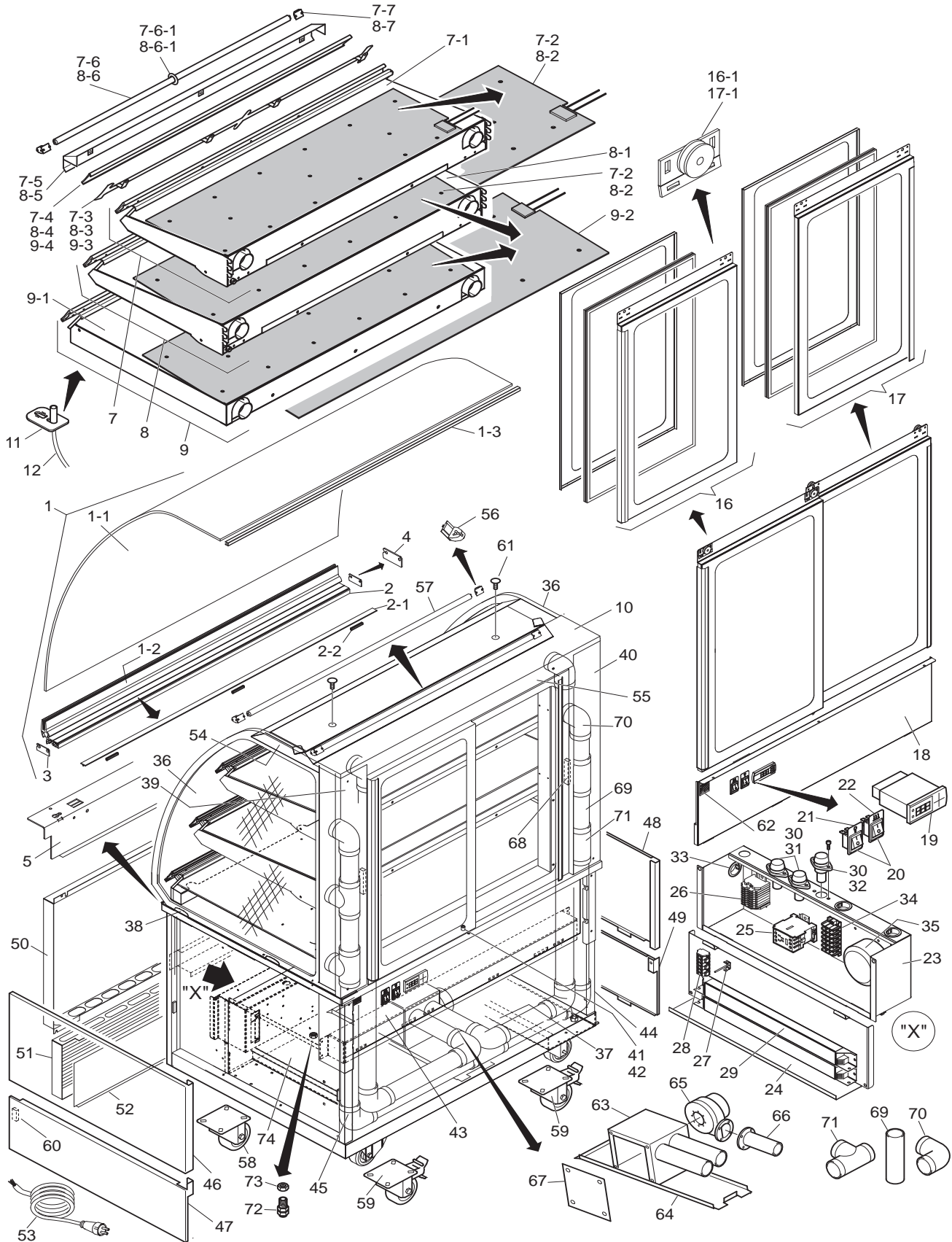
Item	Part number	Qty	Description
24	9284134	1	Cover, box
25	3500069	1	Contactora
26	9292038	1	Connecting block 1 to 6
27	8071060	4	Earth connection, 2-pole
28	8072071	1	Connecting block, mains
29	9221069	2	Ballast TL 1 or 2 F28T5, F21T5, F14T5 HE
30	9044205	3	Fuseholder HPS-EE, for SC fuse
31	9110250	2	Fuse SC10 300V
32	9181049	1	Fuse SC2.5 Bussmann
33	9070840	3	Grommet SB-1093-15 black polyamide
34	9151010	1	Connecting block, 9-pole
35	9222302	1	Transformer 208-120V
36	92821435	2	Side glass
37	9284420	2	Mounting profile, castors
38	9284064	4	Glass holder
39	9284714	1	Cover profile, left
40	9284713	1	Cover profile, right
41	9040659	2	Nylon bush
42	0141149	2	Screw M5x16 mm.
43	9284581	1	Mounting bracket, back side
44	9284424	1	Stand, right
45	9284423	1	Stand, left
46	9284967	1	Side panel, left, top RAL 7022
47	9284968	1	Skirting, left. RAL 7022
48	9284965	1	Side panel, right, top RAL 7022
49	9284966	1	Skirting, right. RAL 7022
50	9284446	1	Front panel, top. RAL 7022
51	9284447	1	Skirting, front. RAL 7022
52	9284448	1	Blind plate, skirt. RAL 7022
53	9172412	1	Connecting cable with plug NEMA 5-20P
54	9284617	1	Light fixture
55	9284742	1	Counter profile
56	6511627	6	Lamp holder
57	9271000	1	TL lamp 14 W
58	9172065	2	Swivel castor
59	9172066	2	Swivel castor with break
60	9191182	2	Magnet
61	9281038	2	Support cap
62	9283013	2	Hinge
63	9280405	1	Blower housing
64	9284706	1	Fastening plate
65	9191280	1	Blower 115V, 60Hz
66	9280406	1	Tube with flange
67	9284705	1	Cover plate
68	9191182	2	Magnet

Item	Part number	Qty	Description
69	9281035	4 mtr	PVC tube Ø 50 x 3.7 mm
70	9281032	10	PVC elbow 50 mm
71	9281033	5	PVC T-joint 50 mm
72	9261076	1	Strain relief M20
73	9222077	1	Nut, strain relief M20
74	9284582	1	Cover plate
75	9224718	1	Sensor holder
76	9221011	1	Temperature sensor
77	9284753	2	Airblock profile
78	9110810	1	Indication plate

EMPTY PAGE

EXPLODED VIEWS & PART LISTS

MODULAR COUNTER 30 HOT FULL SERVICE CUBE CURVED



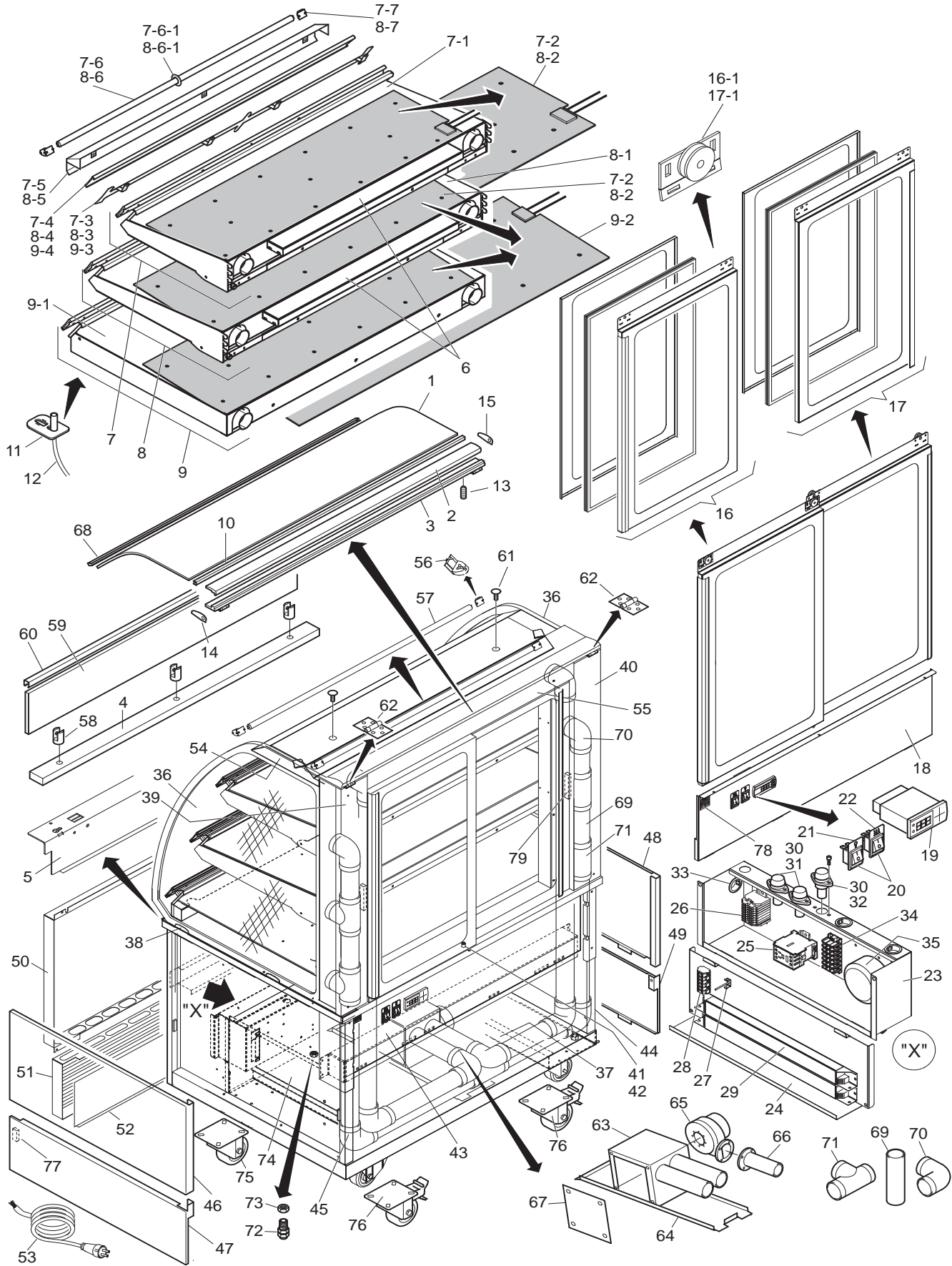
Item	Part number	Qty	Description
1	92800255	1	Glass, bended, complete with profiles
1-1	1	Glass, bended, without profiles
1-2	9283008	1	Glassholder profile
1-3	9283009	1	Protection profile (plastic)
2	9283019	1	Base profile glassholder
2-1	9283018	1	Cover profile
2-2	9281019	3	Plastic clip
3	9284097	1	Cover plate, left
4	9284098	1	Cover plate, right
5	9284065	1	Mounting profile, glassholder
6			zit niet in full service!!!
7	1	Top shelf assembly, incl. heating element
7-1	9284963	1	Top plate, shelf
7-2	9282201	1	Heating element 208 V, 900 W
7-3	9284763	1	Holder, price rail
7-4	9283030	1	Price rail, transparent
7-5	9284964	1	Light fixture
7-6	9271000	1	TL lamp 14 W, with 1 locking ring
7-6-1	9221050	1	Locking ring
7-7	9221025	2	Lamp holder
8	1	Middle shelf assembly, incl. heating element
8-1	9284962	1	Top plate, shelf
8-2	9282201	1	Heating element 208 V, 900 W
8-3	9284763	1	Holder, price rail
8-4	9283030	1	Price rail, transparent
8-5	9284964	1	Light fixture
8-6	9271000	1	TL lamp 14 W, with 1 locking ring
8-6-1	9221050	1	Locking ring
8-7	9221025	2	Lamp holder
9		Bottom shelf assembly, incl. heating element
9-1	9284961	1	Top plate, shelf
9-2	9282201	1	Heating element 208 V, 900 W
9-3	9226355	1	Holder, price rail
9-4	9283030	1	Price rail, transparent
10	9284794	1	Cover plate
11	9224718	1	Sensor holder
12	9221011	1	Temperature sensor
16	92801325	1	Sliding door ass., left
16-1	9281010	2	Sliding wheel
17	92801335	1	Sliding door ass., right
17-1	9281010	2	Sliding wheel
18	9284977	1	Operating panel
19	9221109	1	Thermostat ERC 211
20	9181008	2	Tumble switch
21	9181071	1	Sticker, lighting

Item	Part number	Qty	Description
22	9181072	1	Sticker, heating
23	9285133	1	Connection box
24	9284134	1	Cover, box
25	3500069	1	Contacto
26	9292038	1	Connecting block 1 to 6
27	8071060	4	Earth connection, 2-pole
28	8072071	1	Connecting block, mains
29	9221069	2	Ballast TL 1 or 2 F28T5, F21T5, F14T5 HE
30	9044205	3	Fuseholder HPS-EE, for SC fuse
31	9110250	2	Fuse SC10 300V
32	9181049	1	Fuse SC2.5 Bussmann
33	9070840	3	Grommet SB-1093-15 black polyamide
34	9151010	1	Connecting block, 9-pole
35	9222302	1	Transformer 208-120V
36	92820005	2	Side glass
37	9284420	2	Mounting profile, castors
38	9284064	4	Glass holder
39	9284796	1	Cover profile, left
40	9284795	1	Cover profile, right
41	9040659	2	Nylon bush
42	0141149	2	Screw M5x16 mm.
43	9284061	1	Mounting bracket, back side
44	9284424	1	Stand, right
45	9284423	1	Stand, left
46	9284967	1	Side panel, left, top RAL 7022
47	9284968	1	Skirting, left. RAL 7022
48	9284965	1	Side panel, right, top RAL 7022
49	9284966	1	Skirting, right. RAL 7022
50	9284446	1	Front panel, top. RAL 7022
51	9284447	1	Skirting, front. RAL 7022
52	9284448	1	Blind plate, skirt. RAL 7022
53	9172412	1	Connecting cable with plug NEMA 5-20P
54	9284617	1	Light fixture
55	9284973	1	Counter profile
56	6511627	6	Lamp holder
57	92210275	3	TL lamp 21 W / 830
58	9172065	2	Swivel castor
59	9172066	2	Swivel castor with break
60	9191182	2	Magnet
61	9281038	2	Support cap
62	9110810	1	Indication plate
63	9280405	1	Blower housing
64	9284706	1	Fastening plate
65	9191280	1	Blower 115V, 60Hz
66	9280406	1	Tube with flange

Item	Part number	Qty	Description
67	9284705	1	Cover plate
68	9191182	2	Magnet
69	9281035	4 mtr	PVC tube Ø 50 x 3.7 mm
70	9281032	10	PVC elbow 50 mm
71	9281033	5	PVC T-joint 50 mm
72	9261076	1	Strain relief M20
73	9222077	1	Nut, strain relief M20
74	9284582	1	Cover plate

EMPTY PAGE

MODULAR COUNTER 30 HOT SELF SERVICE CUBE CURVED



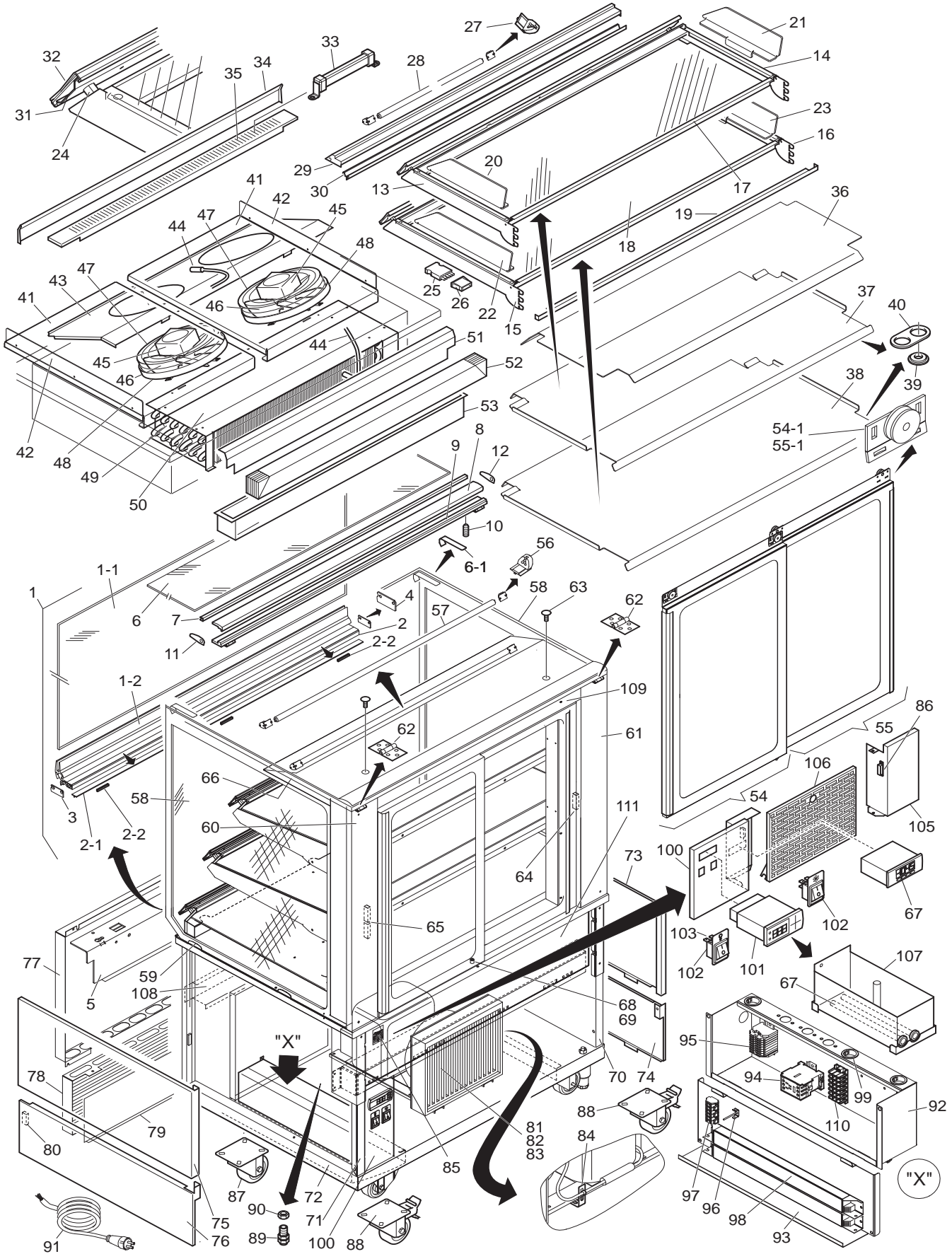
Item	Part number	Qty	Description
1	9282078	1	Glass, top
2	9283027	1	Clamp, glassholder
3	9283028	1	Base profile, glassholder
4	9284253	1	Support profile
5	9284599	1	Mounting profile, glassholder
6	9284753	2	Airblock profile
7	1	Top shelf assembly, incl. heating element
7-1	9284963	1	Top plate, shelf
7-2	9282201	1	Heating element 208 V, 900 W
7-3	9284763	1	Holder, price rail
7-4	9283030	1	Price rail, transparent
7-5	9284964	1	Light fixture
7-6	9271000	1	TL lamp 14 W, with 1 locking ring
7-6-1	9221050	1	Locking ring
7-7	9221025	2	Lamp holder
8	1	Middle shelf assembly, incl. heating element
8-1	9284962	1	Top plate, shelf
8-2	9282201	1	Heating element 208 V, 900 W
8-3	9284763	1	Holder, price rail
8-4	9283030	1	Price rail, transparent
8-5	9284964	1	Light fixture
8-6	9271000	1	TL lamp 14 W, with 1 locking ring
8-6-1	9221050	1	Locking ring
8-7	9221025	2	Lamp holder
9		Bottom shelf assembly, incl. heating element
9-1	9284961	1	Top plate, shelf
9-2	9282201	1	Heating element 208 V, 900 W
9-3	9284763	1	Holder, price rail
9-4	9283030	1	Price rail, transparent
10	9261024	0.8 mtr	Protection profile, plastic
11	9224718	1	Sensor holder
12	9221011	1	Temperature sensor
14	9284095	1	Cover plate, left
15	9284096	1	Cover plate, right
16	9280132S	1	Sliding door ass., left
16-1	9281010	2	Sliding wheel
17	9280133S	1	Sliding door ass., right
17-1	9281010	2	Sliding wheel
18	9284977	1	Operating panel
19	9221109	1	Thermostat ERC 211
20	9181008	2	Tumble switch
21	9181071	1	Sticker, lighting
22	9181072	1	Sticker, heating
23	9285133	1	Connection box
24	9284134	1	Cover, box

Item	Part number	Qty	Description
25	3500069	1	Contactora
26	9292038	1	Connecting block 1 to 6
27	8071060	4	Earth connection, 2-pole
28	8072071	1	Connecting block, mains
29	9221069	2	Ballast TL 1 or 2 F28T5, F21T5, F14T5 HE
30	9044205	3	Fuseholder HPS-EE, for SC fuse
31	9110250	2	Fuse SC10 300V
32	9181049	1	Fuse SC2.5 Bussmann
33	9070840	3	Grommet SB-1093-15 black polyamide
34	9151010	1	Connecting block, 9-pole
35	9222302	1	Transformer 208-120V
36	9282000S	2	Side glass
37	9284420	2	Mounting profile, castors
38	9284064	4	Glass holder
39	9284714	1	Cover profile, left
40	9284713	1	Cover profile, right
41	9040659	2	Nylon bush
42	0141149	2	Screw M5x16 mm.
43	9284061	1	Mounting bracket, back side
44	9284424	1	Stand, right
45	9284423	1	Stand, left
46	9284967	1	Side panel, left, top RAL 7022
47	9284968	1	Skirting, left. RAL 7022
48	9284965	1	Side panel, right, top RAL 7022
49	9284966	1	Skirting, right. RAL 7022
50	9284446	1	Front panel, top. RAL 7022
51	9284447	1	Skirting, front. RAL 7022
52	9284448	1	Blind plate, skirt. RAL 7022
53	9172412	1	Connecting cable with plug NEMA 5-20P
54	9284617	1	Light fixture
55	9284742	1	Counter profile
56	6511627	6	Lamp holder
57	9221027S	3	TL lamp 21 W / 830
58	9262076	3	Glass holder
59	9282077	1	Front glass
60	3102632	0.8 mtr	Protection profile (plastic)
61	9281038	2	Support cap
62	9283013	2	Hinge
63	9280405	1	Blower housing
64	9284706	1	Fastening plate
65	9191280	1	Blower 115V, 60Hz
66	9280406	1	Tube with flange
67	9284705	1	Cover plate
68	9191182	2	Magnet
69	9281035	4 mtr	PVC tube Ø 50 x 3.7 mm

Item	Part number	Qty	Description
70	9281032	10	PVC elbow 50 mm
71	9281033	5	PVC T-joint 50 mm
72	9261076	1	Strain relief M20
73	9222077	1	Nut, strain relief M20
74	9284582	1	Cover plate
75	9172065	2	Swivel castor
76	9172066	2	Swivel castor with break
78	9110810	1	Indication plate
79	9191182	2	Magnet

EMPTY PAGE

MODULAR COUNTER 30 COLD FULL SERVICE CUBE SQUARE



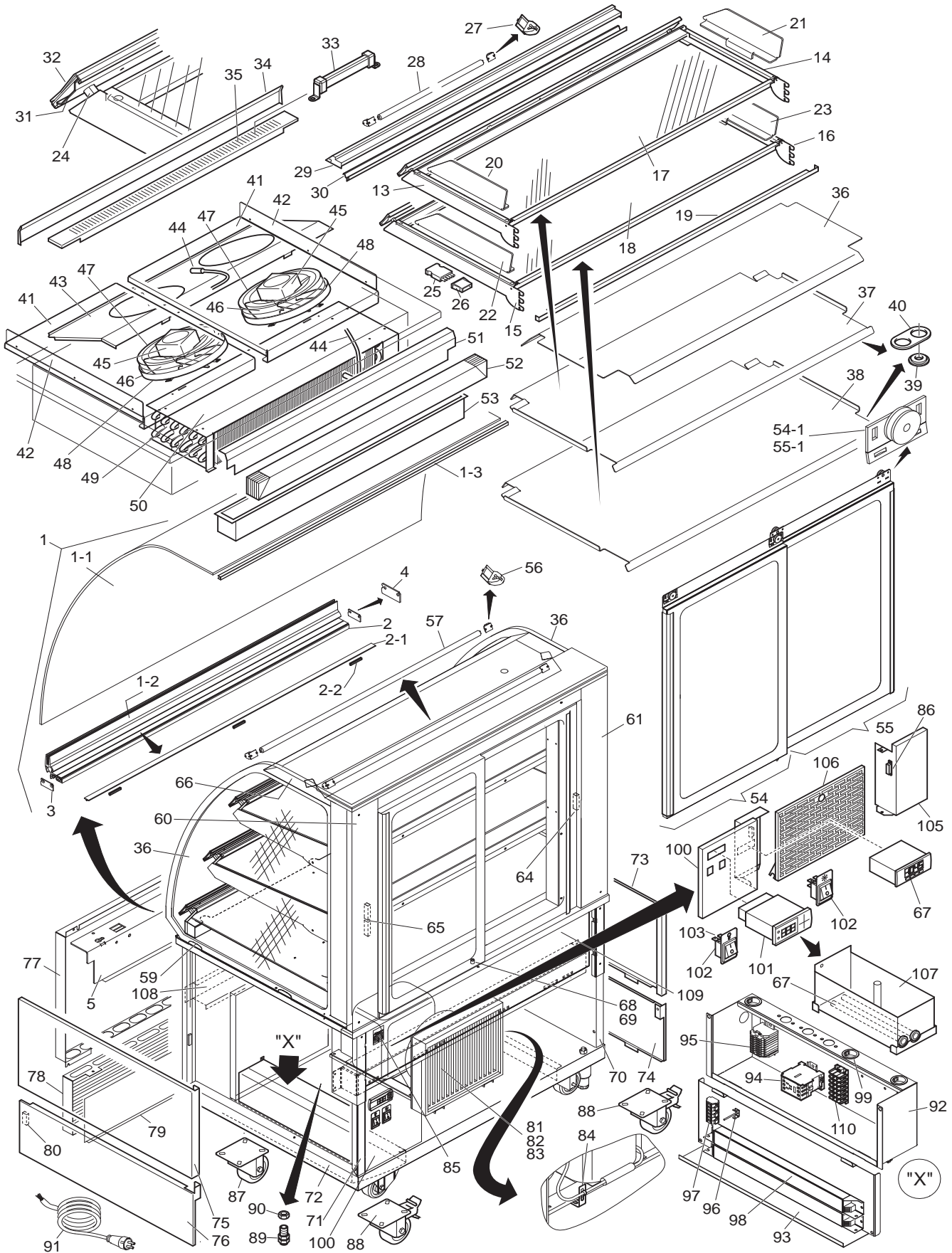
Item	Part number	Qty	Description
1	9282139S	1	Front glass, square, complete with profiles
1-1	1	Front glass, square, without profiles
1-2	9283033	1	Glassholder profile
2	9283032	1	Base profile glassholder
2-1	9283031	1	Cover profile
2-2	9281019	3	Plastic clip
3	9284097	1	Cover plate, left
4	9284098	1	Cover plate, right
5	9284599	1	Mounting profile, glassholder
6	9282142S	1	Top glass, square, complete with clips
6-1	9284869	2	Glass clip
7	9261024	0.8 mtr	Protection profile, plastic
8	9283027	1	Clamp, glassholder
9	9283028	1	Base profile, glassholder
10	9261027	6	Socket set screw M6x8 mm, Torx
11	9284095	1	Cover plate, left
12	9284096	1	Cover plate, left
13	9285501	1	Shelf support, left, top
14	9285500	1	Shelf support, right, top
15	9285503	1	Shelf support, left, middle
16	9285502	1	Shelf support, right, middle
17	9282080	1	Glass plate, top
18	9282081	1	Glass plate, middle
19	9285525	2	Support, glass plate, top
20	9282105	1	Side shelf top left
21	9282106	1	Side shelf top right
22	9282107	1	Side shelf center left
23	9282108	1	Side shelf center right
24	9070793	8	Spacing pin, 3D nut M6
25	9221036	2	Plug, light, 4-pole
26	9221037	2	Socket, light, 4-pole
27	6511627	2	Lamp holder
28	9271000	3	TL lamp 14 W / 830
29	9285505	2	Light fixture, outside
30	9285504	2	Light fixture, inside
31	9284583	3	Holder, price rail
32	9283030	3	Price rail, transparent
33	9222074	1	Thermometer
34	9284667	1	Mounting profile for holder price rail
35	9284668	1	Grid
36	9282126	1	Air guide, plastic, top
37	9282125	1	Air guide panel, top shelf
38	9282124	1	Air guide panel, middle shelf
39	3702341	4	Flange bush, PTFE 2.5 mm
40	9284642	4	Secure lip, air guide
41	9284666	2	Bottom plate without product stopper
42	9282116	2	Product stopper

Item	Part number	Qty	Description
43	9284171	1	Fan plate
44	9221011	2	Temperature sensor
45	9222207	2	Blower, without fanblade 115 V
46	8071028	2	Fanblade
47	8071070	2	Fan cover
48	9284469	2	Suction fan ring
49	9282062	1	Evaporator
50	9284172	1	Evaporator plate
51	9282121	1	Air guide bottom, honeycomb
52	9280441	1	Air divider, honeycomb
53	9280441	1	Holder, honeycomb divider
54	9280072S	1	Sliding door ass., left
54-1	9281010	2	Sliding wheel
55	9280029S	1	Sliding door ass., right
55-1	9281010	2	Sliding wheel
56	6511627	2	Lamp holder
57	9271000	1	TL lamp 14 W / 830
58	9282143S	2	Side glass
59	9284064	4	Glass holder
60	9284015	1	Cover profile, left
61	9284035	1	Cover profile, right
62	9283013	2	Hinge
63	9281038	2	Bumper
64	9191182	1	Magnet
65	9281044	2	Magnet
66	9284617	1	Light fixture, top side
67	9222206	1	Set of 2 elements 200 W + controller
68	9040659	2	Nylon bush
69	0141149	2	Screw M5x16
70	9284424	1	Frame, right
71	9284423	1	Frame, left
72	9284420	2	Mounting profile, castors
73	9284965	1	Side panel, right, top RAL 7022
74	9284966	1	Skirting, right. RAL 7022
75	9284967	1	Side panel, left, top RAL 7022
76	9284968	1	Skirting, left. RAL 7022
77	9284452	1	Front panel, top. RAL 7022
78	9284453	1	Skirting, front. RAL 7022
79	9284454	1	Blind plate, skirt. RAL 7022
80	9191182	2	Magnet
81	9261055	1	Compressor
82	9261057	1	Condensor
83	9261053	1	Fan motor, condensor
84	9284544	1	Bracket, tubing
85	2648943	1	Indication plate
86	9231004	2	Magnetic bar
87	9172065	2	Swivel caster
88	9172066	2	Swivel caster with brake

Item	Part number	Qty	Description
89	9222076	1	Strain relief
90	9222077	1	Nut, strain relief
91	9172412	1	Connecting cable with plug, NEMA 5-20P
92	9285133	1	Connection box
93	9284134	1	Cover, box
94	9221054	1	Contactator
95	9292038	1	Connecting block 1 to 6
96	8071060	4	Earth connection, 2-pole
97	8072071	1	Connecting block, mains
98	9221069	2	Ballast TL 1 or 2 F28T5, F21T5, F14T5 HE
99	9070840	3	Grommet SB-1093-15 black polyamide
100	9284283	1	Operation panel
101	9261111	1	Thermostat, Danfoss ERC 213, 115 V
102	9181008	2	Tumble switch
103	9181071	1	Sticker, lighting
104	9261005	1	Sticker, cooling
105	9284284	1	Side panel
106	9284285	1	Ventilation panel, backside
107	9228054	1	Evaporator tray
108	9284168	1	Mounting bracket, front side
109	9284254	1	Cover profile
110	9151010	1	Terminal block 6-pole
111	9284181	1	Panel, backside

EMPTY PAGE

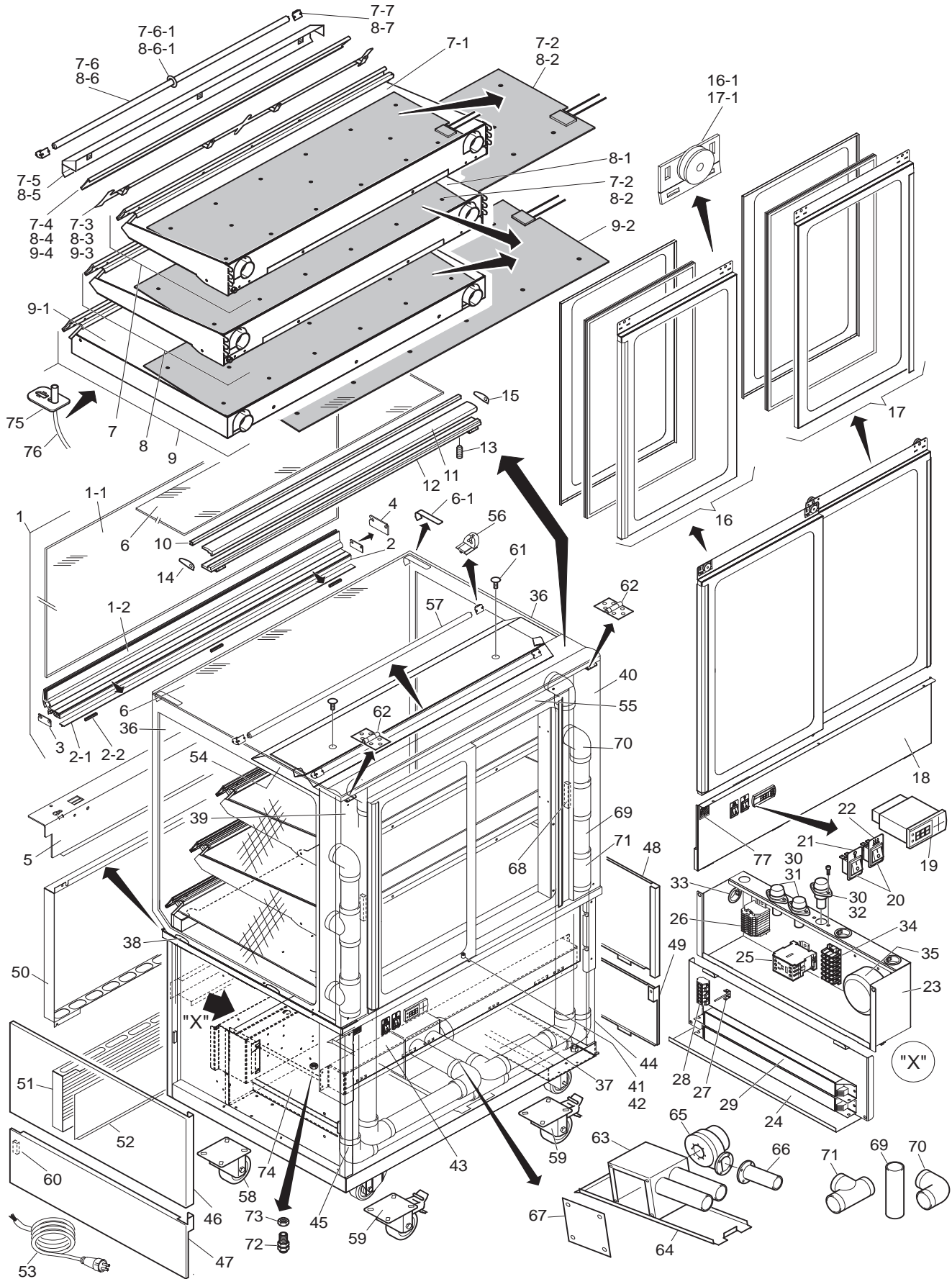
MODULAR COUNTER 30 COLD FULL SERVICE CUBE CURVED



Item	Part number	Qty	Description	Item	Part number	Qty	Description
1	92820885	1	Glass, bended, complete with profiles	50	9284172	1	Evaporator plate
1-1	1	Glass, bended, without profiles	51	9282121	1	Air guide bottom, honeycomb
1-2	9283033	1	Glassholder profile	52	9282128	1	Air divider, honeycomb
1-3	3102632	0.8 mtr	Protection profile (plastic)	53	9280441	1	Holder, honeycomb divider
2	9283032	1	Base profile glassholder	54	92800725	1	Sliding door ass., left
2-1	9283031	1	Cover profile	54-1	9281010	2	Sliding wheel
2-2	9281019	3	Plastic clip	55	92800735	1	Sliding door ass., right
3	9284097	1	Cover plate, left	55-1	9281010	2	Sliding wheel
4	9284098	1	Cover plate, right	56	6511627	2	Lamp holder
5	9284065	1	Mounting profile, glassholder	57	9221027	1	TL lamp 21 W / 830
6	9284046	1	Cover plate	58	92820005	2	Side glass
13	9285501	1	Shelf support, left, top	59	9284064	4	Glass holder
14	9285500	1	Shelf support, right, top	60	9284015	1	Cover profile, left
15	9285503	1	Shelf support, left, middle	61	9284035	1	Cover profile, right
16	9285502	1	Shelf support, right, middle	64	9191182	1	Magnet
17	9282080	1	Glass plate, top	65	9281044	2	Magnet
18	9282081	1	Glass plate, middle	66	9284617	1	Light fixture, top side
19	9285525	2	Support, glass plate, top	67	9222206	1	Set of 2 elements 200 W + controller
20	9282105	1	Side shelf top left	68	9040659	2	Nylon bush
21	9282106	1	Side shelf top right	69	0141149	2	Screw M5x16
22	9282107	1	Side shelf center left	70	9284424	1	Frame, right
23	9282108	1	Side shelf center right	71	9284423	1	Frame, left
24	9070793	8	Spacing pin, 3D nut M6	72	9284420	2	Mounting profile, castors
25	9221036	2	Plug, light, 4-pole	73	9284965	1	Side panel, right, top RAL 7022
26	9221037	2	Socket, light, 4-pole	74	9284966	1	Skirting, right. RAL 7022
27	6511627	4	Lamp holder	75	9284967	1	Side panel, left, top RAL 7022
28	9271000	2	TL lamp 14 W / 830	76	9284968	1	Skirting, left. RAL 7022
29	9285507	2	Light fixture, outside	77	9284446	1	Front panel, top. RAL 7022
30	9285504	2	Light fixture, inside	78	9284447	1	Skirting, front. RAL 7022
31	9284583	3	Holder, price rail	79	9284448	1	Blind plate, skirt. RAL 7022
32	9283030	3	Price rail, transparent	80	9191182	2	Magnet
33	9222074	1	Thermometer	81	9261055	1	Compressor
34	9284667	1	Mounting profile for holder price rail	82	9261057	1	Condensor
35	9284668	1	Grid	83	9261053	1	Fan motor, condensor
36	9282126	1	Air guide, plastic, top	84	9284544	1	Bracket, tubing
37	9282125	1	Air guide panel, top shelf	85	2648943	1	Indication plate
38	9282124	1	Air guide panel, middle shelf	86	9231004	2	Magnetic bar
39	3702341	4	Flange bush, PTFE 2.5 mm	87	9172065	2	Swivel caster
40	9284642	4	Secure lip, air guide	88	9172066	2	Swivel caster with brake
41	9284666	2	Bottom plate without product stopper	89	9222076	1	Strain relief
42	9282116	2	Product stopper	90	9222077	1	Nut, strain relief
43	9284171	1	Fan plate	91	9172412	1	Connecting cable with plug, NEMA 5-20P
44	9221011	2	Temperature sensor	92	9285133	1	Connection box
45	9222207	2	Blower, without fanblade 115 V	93	9284134	1	Cover, box
46	8071028	2	Fanblade	94	9221054	1	Contactora
47	8071070	2	Fan cover	95	9292038	1	Connecting block 1 to 6
48	9284469	2	Suction fan ring	96	8071060	4	Earth connection, 2-pole
49	9282062	1	Evaporator	97	8072071	1	Connecting block, mains

EMPTY PAGE

MODULAR COUNTER 40 HOT FULL SERVICE CUBE SQUARE

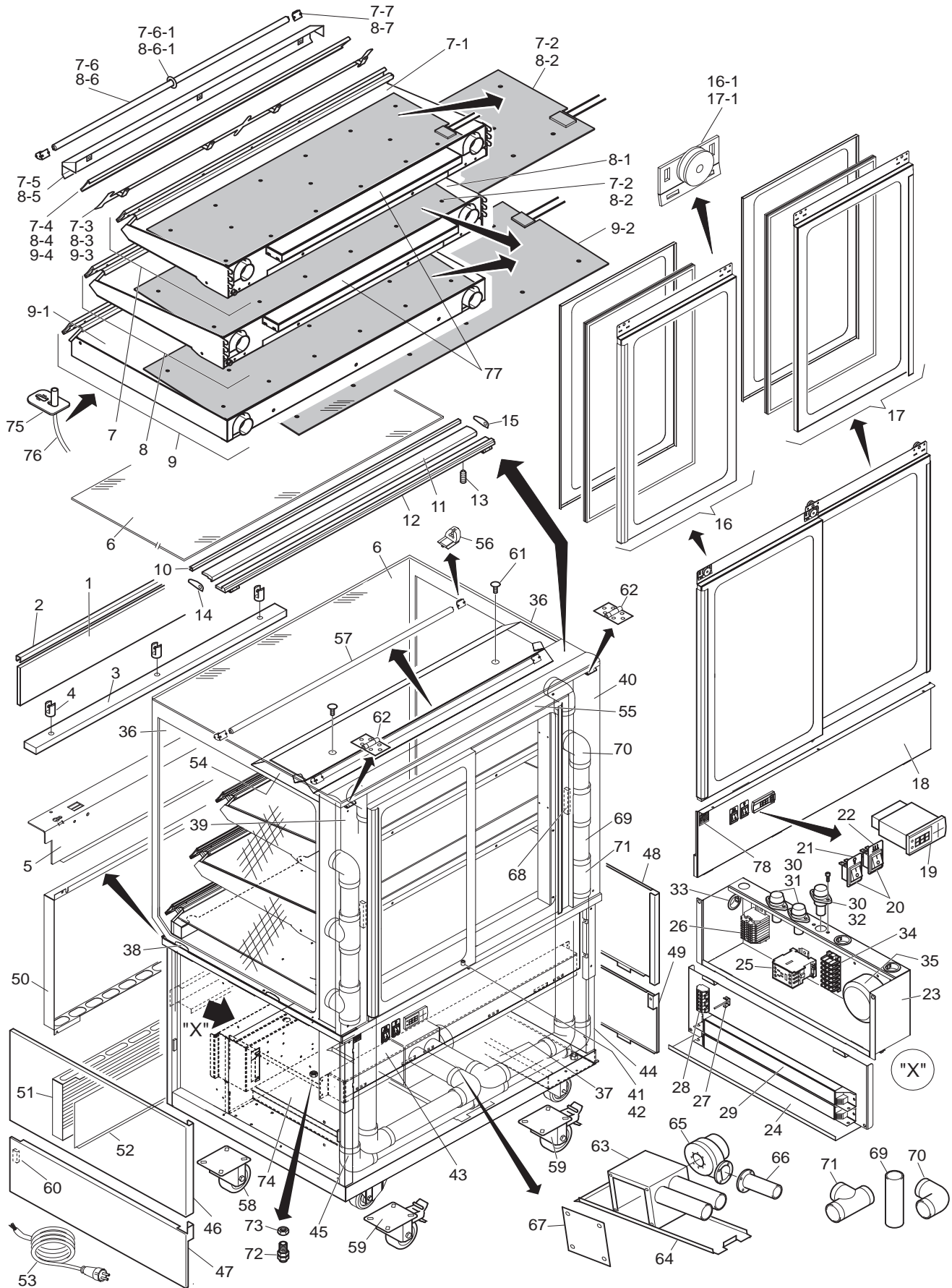


Item	Part number	Qty	Description	Item	Part number	Qty	Description
1	92821375	1	Front glass, square, complete with profiles	19	9221109	1	Thermostat ERC 211
1-1	1	Front glass, square, without profiles	20	9181008	2	Tumble switch
1-2	9283008	1	Glassholder profile	21	9181071	1	Sticker, lighting
2	9283019	1	Base profile glassholder	22	9181072	1	Sticker, heating
2-1	9283018	1	Cover profile	23	9285133	1	Connection box
2-2	9281019	3	Plastic clip	24	9284134	1	Cover, box
3	9284097	1	Cover plate, left	25	3500069	1	Contactator
4	9284098	1	Cover plate, right	26	9292038	1	Connecting block 1 to 6
5	9284065	1	Mounting profile, glassholder	27	8071060	4	Earth connection, 2-pole
6	92821415	1	Top glass, square, complete with clips	28	8072071	1	Connecting block, mains
6-1	9284869	2	Glass clip	29	9221069	2	Ballast TL 1 or 2 F28T5, F21T5, F14T5 HE
7	1	Top shelf assembly, incl. heating element	30	9044205	3	Fuseholder HPS-EE, for SC fuse
7-1	9284948	1	Top plate, shelf	31	9110250	2	Fuse SC10 300V
7-2	9282200	1	Heating element 208 V, 900 W	32	9181049	1	Fuse SC2.5 Bussmann
7-3	9226355	1	Holder, price rail	33	9070840	3	Grommet SB-1093-15 black polyamide
7-4	9223208	1	Price rail, transparent	34	9151010	1	Connecting block, 9-pole
7-5	9284949	1	Light fixture	35	9222302	1	Transformer 208-120V
7-6	92210275	1	TL lamp 21 W, with 1 locking ring	36	92821435	2	Side glass
7-6-1	9221050	1	Locking ring	37	9284420	2	Mounting profile, castors
7-7	9221025	2	Lamp holder	38	9284064	4	Glass holder
8	1	Middle shelf assembly, incl. heating element	39	9284714	1	Cover profile, left
8-1	9284945	1	Top plate, shelf	40	9284713	1	Cover profile, right
8-2	9282200	1	Heating element 208 V, 900 W	41	9040659	2	Nylon bush
8-3	9226355	1	Holder, price rail	42	0141149	2	Screw M5x16 mm.
8-4	9223208	1	Price rail, transparent	43	9284061	1	Mounting bracket, back side
8-5	9284949	1	Light fixture	44	9284424	1	Stand, right
8-6	92210275	1	TL lamp 21 W, with 1 locking ring	45	9284423	1	Stand, left
8-6-1	9221050	1	Locking ring	46	9284967	1	Side panel, left, top RAL 7022
8-7	9221025	2	Lamp holder	47	9284968	1	Skirting, left. RAL 7022
9		Bottom shelf assembly, incl. heating element	48	9284965	1	Side panel, right, top RAL 7022
9-1	9284942	1	Top plate, shelf	49	9284966	1	Skirting, right. RAL 7022
9-2	9282200	1	Heating element 208 V, 900 W	50	9284452	1	Front panel, top. RAL 7022
9-3	9226355	1	Holder, price rail	51	9284453	1	Skirting, front. RAL 7022
9-4	9223208	1	Price rail, transparent	52	9284454	1	Blind plate, skirt. RAL 7022
10	9261024	1 mtr	Protection profile, plastic	53	9172401	1	Connecting cable with plug NEMA 6-20P
11	9283006	1	Clamp, glassholder	54	9284711	1	Light fixture
12	9283007	1	Base profile, glassholder	55	9284731	1	Counter profile
13	9261027	6	Socket set screw M6x8 mm, Torx	56	6511627	6	Lamp holder
14	9284095	1	Cover plate, left	57	92210275	3	TL lamp 21 W / 830
15	9284096	1	Cover plate, left	58	9172065	2	Swivel castor
16	92801265	1	Sliding door ass., left	59	9172066	2	Swivel castor with break
16-1	9281010	2	Sliding wheel	60	9191182	2	Magnet
17	92801275	1	Sliding door ass., right	61	9281038	2	Support cap
17-1	9281010	2	Sliding wheel	62	9283013	2	Hinge
18	9284970	1	Operating panel	63	9280405	1	Blower housing

Item	Part number	Qty	Description
64	9284706	1	Fastening plate
65	9191280	1	Blower 115V, 60Hz
66	9280406	1	Tube with flange
67	9284705	1	Cover plate
68	9191182	2	Magnet
69	9281035	4 mtr	PVC tube Ø 50 x 3.7 mm
70	9281032	10	PVC elbow 50 mm
71	9281033	5	PVC T-joint 50 mm
72	9261022	1	Strain relief M25
73	9261023	1	Nut, strain relief M25
74	9284116	1	Cover plate
75	9224718	1	Sensor holder
76	9221011	1	Temperature sensor
77	9110810	1	Indication plate

EMPTY PAGE

MODULAR COUNTER 40 HOT SELF SERVICE CUBE SQUARE



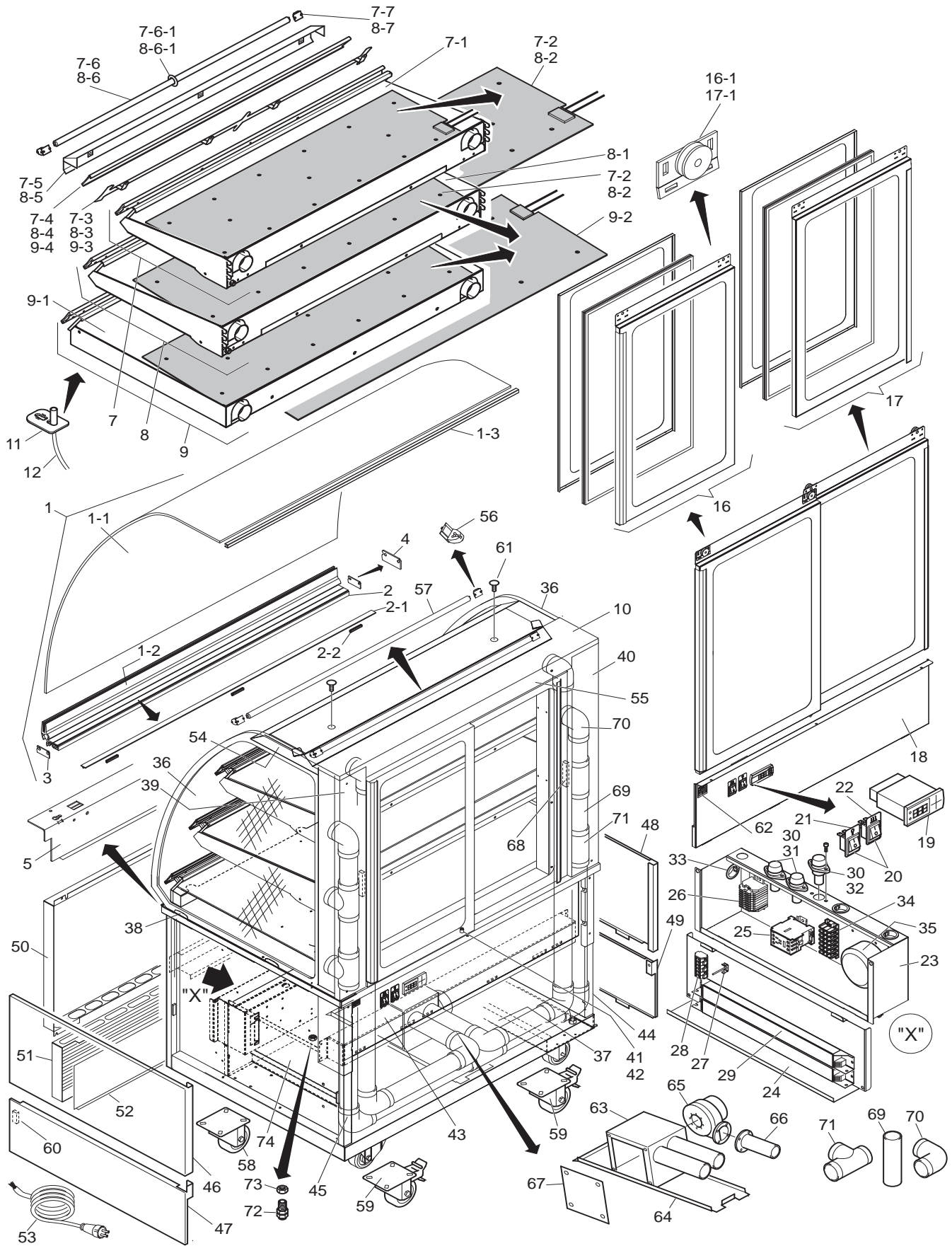
Item	Part number	Qty	Description
1	9282008	1	Front glass
2	3102632	1 mtr	Protection profile (plastic)
3	9284063	1	Support profile
4	9262076	3	Glass holder
5	9284065	1	Mounting profile, glassholder
6	9282141	1	Top glass, square
7	1	Top shelf assembly, incl. heating element
7-1	9284948	1	Top plate, shelf
7-2	9282200	1	Heating element 208 V, 900 W
7-3	9226355	1	Holder, price rail
7-4	9223208	1	Price rail, transparent
7-5	9284949	1	Light fixture
7-6	92210275	1	TL lamp 14 W, with 1 locking ring
7-6-1	9221050	1	Locking ring
7-7	9221025	2	Lamp holder
8	1	Middle shelf assembly, incl. heating element
8-1	9284945	1	Top plate, shelf
8-2	9282200	1	Heating element 208 V, 900 W
8-3	9226355	1	Holder, price rail
8-4	9223208	1	Price rail, transparent
8-5	9284949	1	Light fixture
8-6	9271000	1	TL lamp 14 W, with 1 locking ring
8-6-1	9221050	1	Locking ring
8-7	9221025	2	Lamp holder
9		Bottom shelf assembly, incl. heating element
9-1	9284942	1	Top plate, shelf
9-2	9282200	1	Heating element 208 V, 900 W
9-3	9226355	1	Holder, price rail
9-4	9223208	1	Price rail, transparent
10	9261024	1 mtr	Protection profile, plastic
11	9283006	1	Clamp, glassholder
12	9283007	1	Base profile, glassholder
13	9261027	6	Socket set screw M6x8 mm, Torx
14	9284095	1	Cover plate, left
15	9284096	1	Cover plate, right
16	92801265	1	Sliding door ass., left
16-1	9281010	2	Sliding wheel
17	92801275	1	Sliding door ass., right
17-1	9281010	2	Sliding wheel
18	9284970	1	Operating panel
19	9221109	1	Thermostat ERC 211
20	9181008	2	Tumble switch
21	9181071	1	Sticker, lighting
22	9181072	1	Sticker, heating
23	9285133	1	Connection box

Item	Part number	Qty	Description
24	9284134	1	Cover, box
25	3500069	1	Contactator
26	9292038	1	Connecting block 1 to 6
27	8071060	4	Earth connection, 2-pole
28	8072071	1	Connecting block, mains
29	9221069	2	Ballast TL 1 or 2 F28T5, F21T5, F14T5 HE
30	9044205	3	Fuseholder HPS-EE, for SC fuse
31	9110250	2	Fuse SC10 300V
32	9181049	1	Fuse SC2.5 Bussmann
33	9070840	3	Grommet SB-1093-15 black polyamide
34	9151010	1	Connecting block, 9-pole
35	9222302	1	Transformer 208-120V
36	92821435	2	Side glass
37	9284420	2	Mounting profile, castors
38	9284064	4	Glass holder
39	9284714	1	Cover profile, left
40	9284713	1	Cover profile, right
41	9040659	2	Nylon bush
42	0141149	2	Screw M5x16 mm.
43	9284061	1	Mounting bracket, back side
44	9284424	1	Stand, right
45	9284423	1	Stand, left
46	9284967	1	Side panel, left, top RAL 7022
47	9284968	1	Skirting, left. RAL 7022
48	9284965	1	Side panel, right, top RAL 7022
49	9284966	1	Skirting, right. RAL 7022
50	9284452	1	Front panel, top. RAL 7022
51	9284453	1	Skirting, front. RAL 7022
52	9284454	1	Blind plate, skirt. RAL 7022
53	9172401	1	Connecting cable with plug NEMA 5-20P
54	9284711	1	Light fixture
55	9284742	1	Counter profile
56	6511627	6	Lamp holder
57	92210275	3	TL lamp 21 W / 830
58	9172065	2	Swivel castor
59	9172066	2	Swivel castor with break
60	9191182	2	Magnet
61	9281038	2	Support cap
62	9283013	2	Hinge
63	9280405	1	Blower housing
64	9284706	1	Fastening plate
65	9191280	1	Blower 115V, 60Hz
66	9280406	1	Tube with flange
67	9284705	1	Cover plate
68	9191182	2	Magnet

Item	Part number	Qty	Description
69	9281035	4 mtr	PVC tube Ø 50 x 3.7 mm
70	9281032	10	PVC elbow 50 mm
71	9281033	5	PVC T-joint 50 mm
72	9261022	1	Strain relief M25
73	9261023	1	Nut, strain relief M25
74	9284582	1	Cover plate
75	9224718	1	Sensor holder
76	9221011	1	Temperature sensor
77	9284131	2	Airblock profile
78	9110810	1	Indication plate

EMPTY PAGE

MODULAR COUNTER 40 HOT FULL SERVICE CUBE CURVED



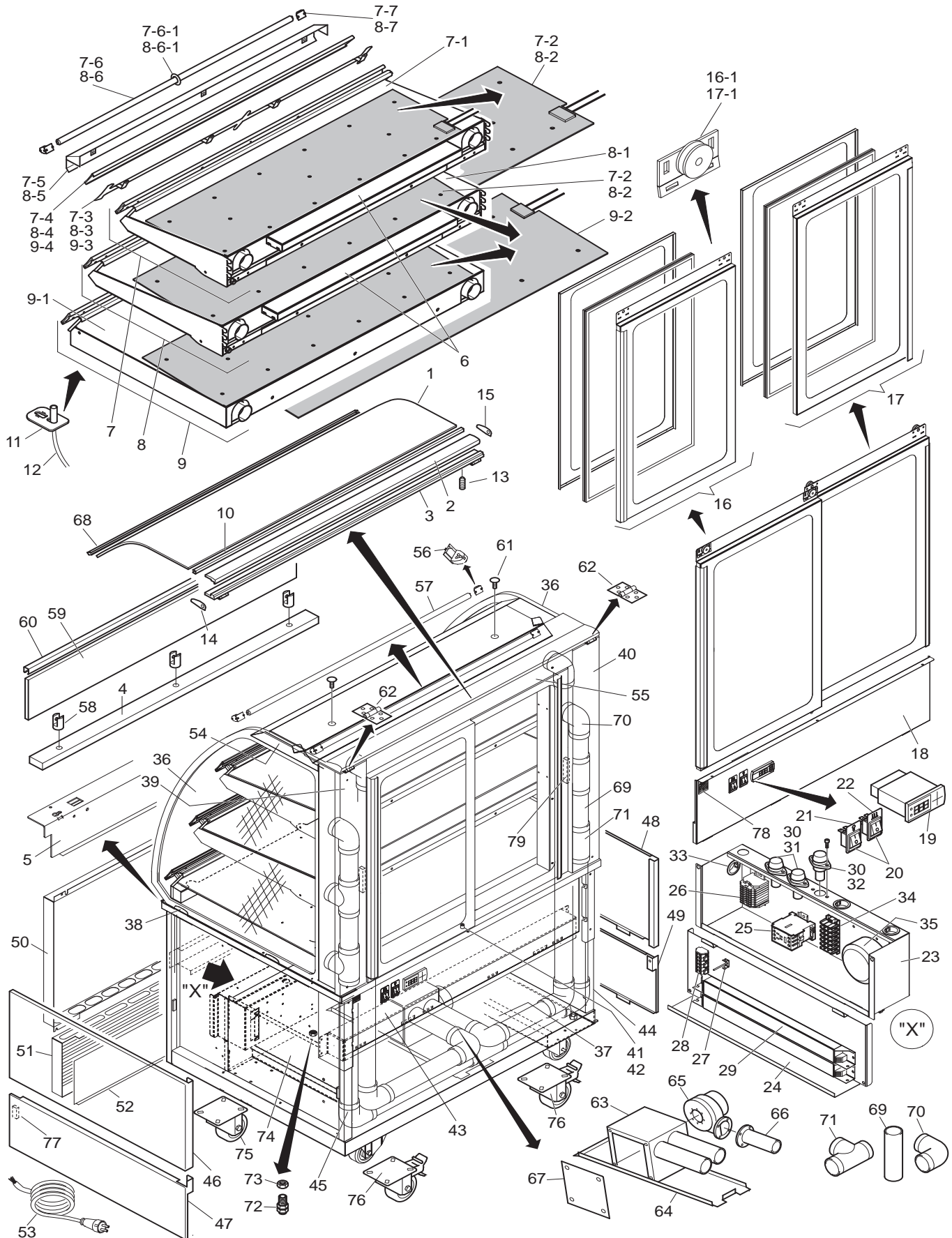
Item	Part number	Qty	Description
1	9280025S	1	Glass, bended, complete with profiles
1-1	1	Glass, bended, without profiles
1-2	9283008	1	Glassholder profile
1-3	9283009	1	Protection profile (plastic)
2	9283019	1	Base profile glassholder
2-1	9283018	1	Cover profile
2-2	9281019	3	Plastic clip
3	9284097	1	Cover plate, left
4	9284098	1	Cover plate, right
5	9284065	1	Mounting profile, glassholder
6			zit niet in full service!!!
7	1	Top shelf assembly, incl. heating element
7-1	9284948	1	Top plate, shelf
7-2	9282200	1	Heating element 208 V, 900 W
7-3	9226355	1	Holder, price rail
7-4	9223208	1	Price rail, transparent
7-5	9284949	1	Light fixture
7-6	9221027S	1	TL lamp 21 W, with 1 locking ring
7-6-1	9221050	1	Locking ring
7-7	9221025	2	Lamp holder
8	1	Middle shelf assembly, incl. heating element
8-1	9284945	1	Top plate, shelf
8-2	9282200	1	Heating element 208 V, 900 W
8-3	9226355	1	Holder, price rail
8-4	9223208	1	Price rail, transparent
8-5	9284949	1	Light fixture
8-6	9221027S	1	TL lamp 21 W, with 1 locking ring
8-6-1	9221050	1	Locking ring
8-7	9221025	2	Lamp holder
9		Bottom shelf assembly, incl. heating element
9-1	9284942	1	Top plate, shelf
9-2	9282200	1	Heating element 208 V, 900 W
9-3	9226355	1	Holder, price rail
9-4	9223208	1	Price rail, transparent
10	9284794	1	Cover plate
11	9224718	1	Sensor holder
12	9221011	1	Temperature sensor
13			
14			
15			
16	9280126S	1	Sliding door ass., left
16-1	9281010	2	Sliding wheel
17	9280127S	1	Sliding door ass., right
17-1	9281010	2	Sliding wheel
18	9284970	1	Operating panel

Item	Part number	Qty	Description
19	9221109	1	Thermostat ERC 211
20	9181008	2	Tumble switch
21	9181071	1	Sticker, lighting
22	9181072	1	Sticker, heating
23	9285133	1	Connection box
24	9284134	1	Cover, box
25	3500069	1	Contactora
26	9292038	1	Connecting block 1 to 6
27	8071060	4	Earth connection, 2-pole
28	8072071	1	Connecting block, mains
29	9221069	2	Ballast TL 1 or 2 F28T5, F21T5, F14T5 HE
30	9044205	3	Fuseholder HPS-EE, for SC fuse
31	9110250	2	Fuse SC10 300V
32	9181049	1	Fuse SC2.5 Bussmann
33	9070840	3	Grommet SB-1093-15 black polyamide
34	9151010	1	Connecting block, 9-pole
35	9222302	1	Transformer 208-120V
36	9282000S	2	Side glass
37	9284420	2	Mounting profile, castors
38	9284064	4	Glass holder
39	9284796	1	Cover profile, left
40	9284795	1	Cover profile, right
41	9040659	2	Nylon bush
42	0141149	2	Screw M5x16 mm.
43	9284061	1	Mounting bracket, back side
44	9284424	1	Stand, right
45	9284423	1	Stand, left
46	9284967	1	Side panel, left, top RAL 7022
47	9284968	1	Skirting, left. RAL 7022
48	9284965	1	Side panel, right, top RAL 7022
49	9284966	1	Skirting, right. RAL 7022
50	9284452	1	Front panel, top. RAL 7022
51	9284453	1	Skirting, front. RAL 7022
52	9284454	1	Blind plate, skirt. RAL 7022
53	9172401	1	Connecting cable with plug NEMA 6-20P
54	9284711	1	Light fixture
55	9284731	1	Counter profile
56	6511627	6	Lamp holder
57	9221027S	3	TL lamp 21 W / 830
58	9172065	2	Swivel castor
59	9172066	2	Swivel castor with break
60	9191182	2	Magnet
61	9281038	2	Support cap
62	9110810	1	Indication plate
63	9280405	1	Blower housing
64	9284706	1	Fastening plate

Item	Part number	Qty	Description
65	9191280	1	Blower 115V, 60Hz
66	9280406	1	Tube with flange
67	9284705	1	Cover plate
68	9191182	2	Magnet
69	9281035	4 mtr	PVC tube Ø 50 x 3.7 mm
70	9281032	10	PVC elbow 50 mm
71	9281033	5	PVC T-joint 50 mm
72	9261022	1	Strain relief M25
73	9261023	1	Nut, strain relief M25
74	9284116	1	Cover plate

EMPTY PAGE

MODULAR COUNTER 40 HOT SELF SERVICE CUBE CURVED



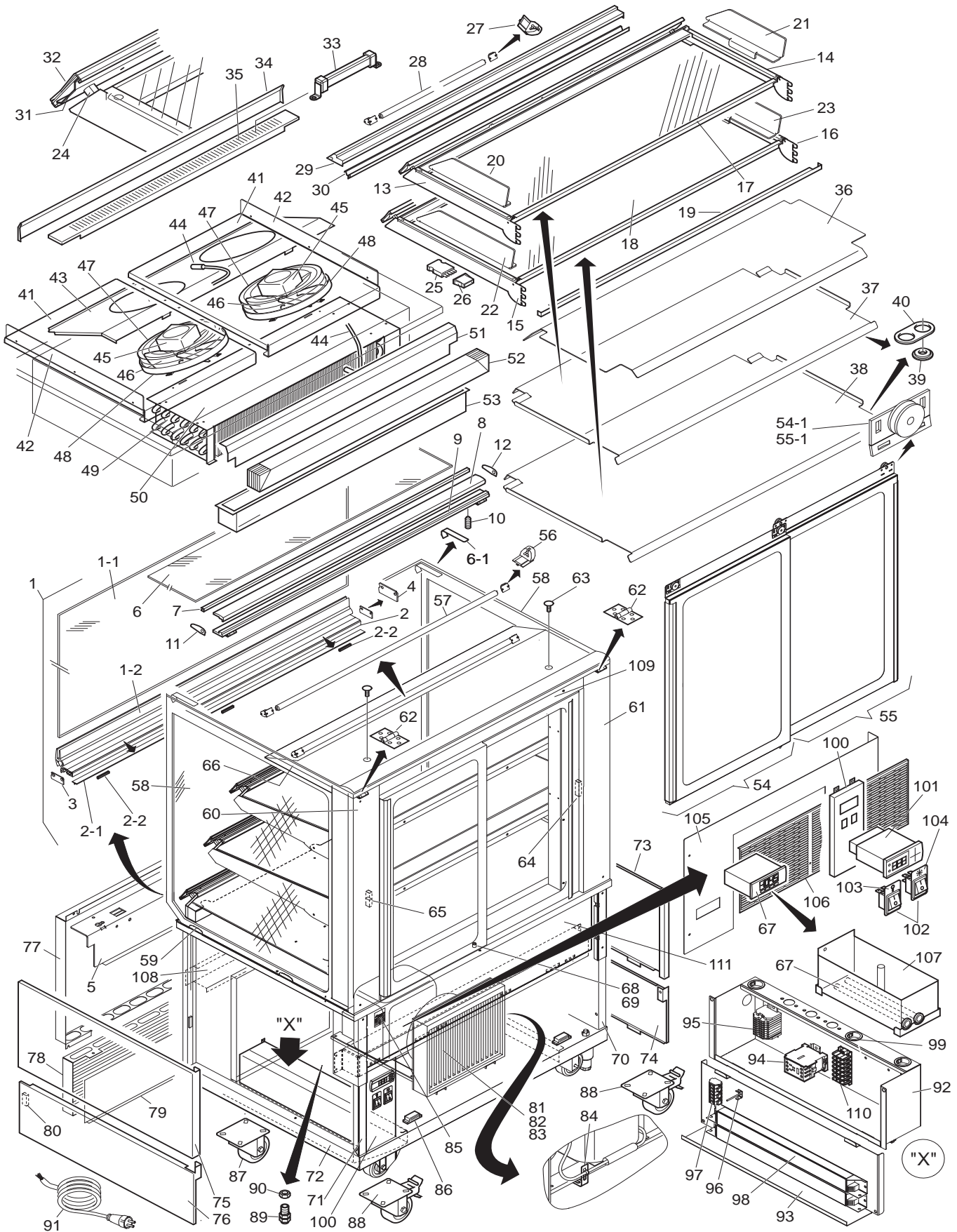
Item	Part number	Qty	Description
1	92820025	1	Glass, top
2	9283006	1	Clamp, glassholder
3	9283007	1	Base profile, glassholder
4	9284063	1	Support profile
5	9284065	1	Mounting profile, glassholder
6	9284131	2	Airblock profile
7	1	Top shelf assembly, incl. heating element
7-1	9284948	1	Top plate, shelf
7-2	9282200	1	Heating element 208 V, 900 W
7-3	9226355	1	Holder, price rail
7-4	9223208	1	Price rail, transparent
7-5	9284949	1	Light fixture
7-6	92210275	1	TL lamp 21 W, with 1 locking ring
7-6-1	9221050	1	Locking ring
7-7	9221025	2	Lamp holder
8	1	Middle shelf assembly, incl. heating element
8-1	9284945	1	Top plate, shelf
8-2	9282200	1	Heating element 208 V, 900 W
8-3	9226355	1	Holder, price rail
8-4	9223208	1	Price rail, transparent
8-5	9284949	1	Light fixture
8-6	92210275	1	TL lamp 21 W, with 1 locking ring
8-6-1	9221050	1	Locking ring
8-7	9221025	2	Lamp holder
9		Bottom shelf assembly, incl. heating element
9-1	9284942	1	Top plate, shelf
9-2	9282200	1	Heating element 208 V, 900 W
9-3	9226355	1	Holder, price rail
9-4	9223208	1	Price rail, transparent
10	9283009	1	Protection profile (plastic)
11	9224718	1	Sensor holder
12	9221011	1	Temperature sensor
13	9261027	6	Socket set screw M6x8 mm, Torx
14	9284095	1	Cover plate, left
15	9284096	1	Cover plate, left
16	92801265	1	Sliding door ass., left
16-1	9281010	2	Sliding wheel
17	92801275	1	Sliding door ass., right
17-1	9281010	2	Sliding wheel
18	9284970	1	Operating panel
19	9221109	1	Thermostat ERC 211
20	9181008	2	Tumble switch
21	9181071	1	Sticker, lighting
22	9181072	1	Sticker, heating
23	9285133	1	Connection box
24	9284134	1	Cover, box

Item	Part number	Qty	Description
25	3500069	1	Contactora
26	9292038	1	Connecting block 1 to 6
27	8071060	4	Earth connection, 2-pole
28	8072071	1	Connecting block, mains
29	9221069	2	Ballast TL 1 or 2 F28T5, F21T5, F14T5 HE
30	9044205	3	Fuseholder HPS-EE, for SC fuse
31	9110250	2	Fuse SC10 300V
32	9181049	1	Fuse SC2.5 Bussmann
33	9070840	3	Grommet SB-1093-15 black polyamide
34	9151010	1	Connecting block, 9-pole
35	9222302	1	Transformer 208-120V
36	92820005	2	Side glass
37	9284420	2	Mounting profile, castors
38	9284064	4	Glass holder
39	9284714	1	Cover profile, left
40	9284713	1	Cover profile, right
41	9040659	2	Nylon bush
42	0141149	2	Screw M5x16 mm.
43	9284061	1	Mounting bracket, back side
44	9284424	1	Stand, right
45	9284423	1	Stand, left
46	9284967	1	Side panel, left, top RAL 7022
47	9284968	1	Skirting, left. RAL 7022
48	9284965	1	Side panel, right, top RAL 7022
49	9284966	1	Skirting, right. RAL 7022
50	9284452	1	Front panel, top. RAL 7022
51	9284453	1	Skirting, front. RAL 7022
52	9284454	1	Blind plate, skirt. RAL 7022
53	9172401	1	Connecting cable with plug NEMA 6-20P
54	9284711	1	Light fixture
55	9284731	1	Counter profile
56	6511627	6	Lamp holder
57	92210275	3	TL lamp 21 W / 830
58	9262076	3	Glass holder
59	9282008	1	Front glass
60	9283004	1	Protection profile (plastic)
61	9281038	2	Support cap
62	9283013	2	Hinge
63	9280405	1	Blower housing
64	9284706	1	Fastening plate
65	9191280	1	Blower 115V, 60Hz
66	9280406	1	Tube with flange
67	9284705	1	Cover plate
68	9283009	1	Protection profile (plastic)
69	9281035	4 mtr	PVC tube Ø 50 x 3.7 mm

Item	Part number	Qty	Description
70	9281032	10	PVC elbow 50 mm
71	9281033	5	PVC T-joint 50 mm
72	9261022	1	Strain relief M25
73	9261023	1	Nut, strain relief M25
74	9284116	1	Cover plate
75	9172065	2	Swivel castor
76	9172066	2	Swivel castor with break
77	9191182	2	Magnet
78	9110810	1	Indication plate
79	9191182	2	Magnet

EMPTY PAGE

MODULAR COUNTER 40 COLD FULL SERVICE CUBE SQUARE

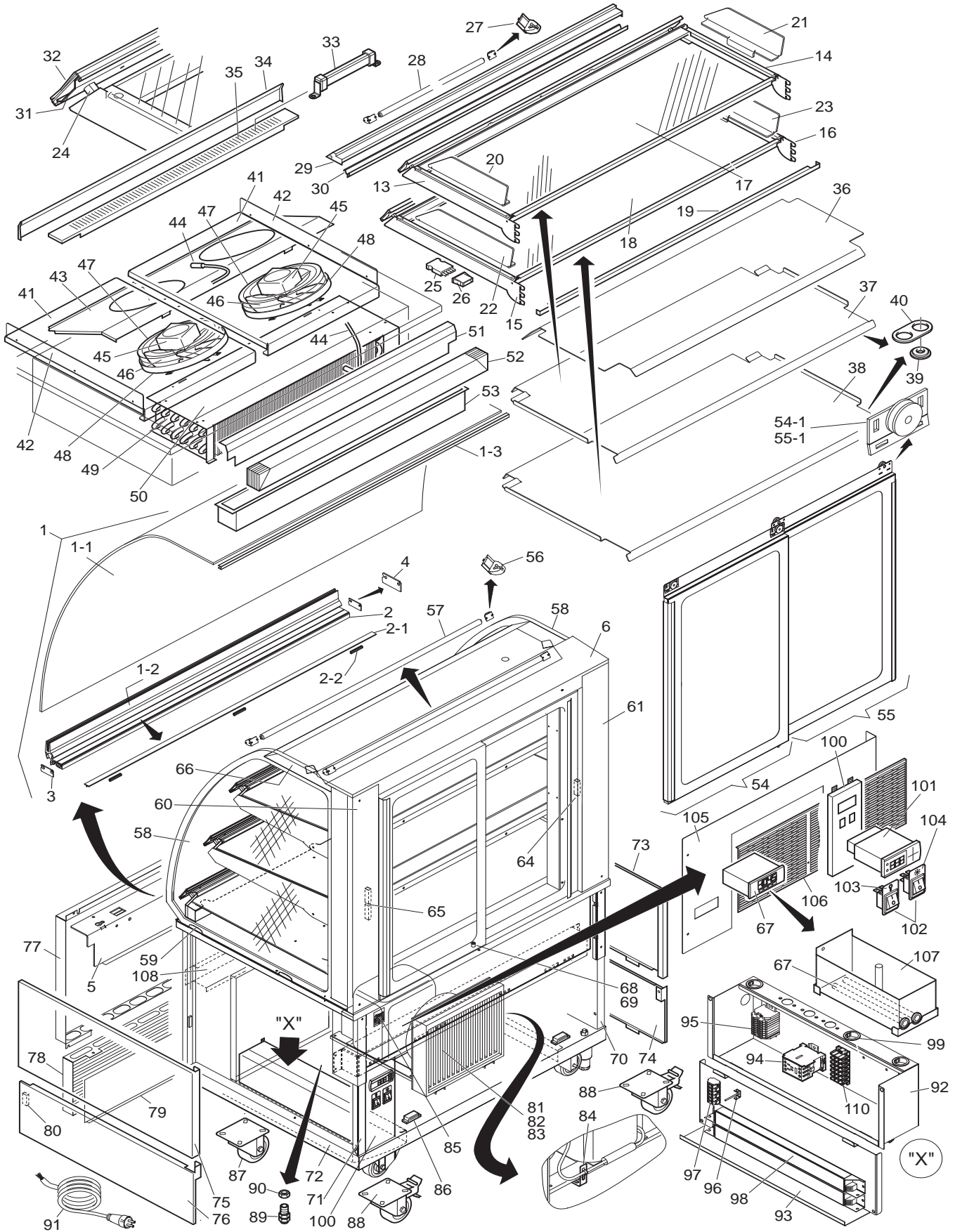


Item	Part number	Qty	Description	Item	Part number	Qty	Description
1	92821375	1	Front glass, square, complete with profiles	43	9284546	1	Fan plate
1-1	1	Front glass, square, without profiles	44	9221011	2	Temperature sensor
1-2	9283008	1	Glassholder profile	45	9222207	2	Blower, without fanblade 115 V
2	9283019	1	Base profile glassholder	46	8071028	2	Fanblade
2-1	9283018	1	Cover profile	47	8071070	2	Fan cover
2-2	9281019	3	Plastic clip	48	9284469	2	Suction fan ring
3	9284097	1	Cover plate, left	49	9282031	1	Evaporator
4	9284098	1	Cover plate, right	50	9284545	1	Evaporator plate
5	9284065	1	Mounting profile, glassholder	51	9282121	1	Air guide bottom, honeycomb
6	92821415	1	Top glass, square, complete with clips	52	9282120	1	Air divider, honeycomb
6-1	9284869	2	Glass clip	53	9280440	1	Holder, honeycomb divider
7	9261024	1 mtr	Protection profile, plastic	54	9280028S	1	Sliding door ass., left
8	9283006	1	Clamp, glassholder	55	9280029S	1	Sliding door ass., right
9	9283007	1	Base profile, glassholder	56	6511627	2	Lamp holder
10	9261027	6	Socket set screw M6x8 mm, Torx	57	9221027	1	TL lamp 21 W / 830
11	9284095	1	Cover plate, left	58	9282143S	2	Side glass
12	9284096	1	Cover plate, left	59	9284064	4	Glass holder
13	9285501	1	Shelf support, left, top	60	9284015	1	Cover profile, left
14	9285500	1	Shelf support, right, top	61	9284035	1	Cover profile, right
15	9285503	1	Shelf support, left, middle	62	9283013	2	Hinge
16	9285502	1	Shelf support, right, middle	63	9281038	2	Bumper
17	9282009	1	Glass plate, top	64	9191182	1	Magnet
18	9282007	1	Glass plate, middle	65	9281044	2	Magnet
19	9285525	2	Support, glass plate, top	66	9284711	1	Light fixture, top side
20	9282105	1	Side shelf top left	67	9222206	1	Set of 2 elements 200 W + controller
21	9282106	1	Side shelf top right	68	9040659	2	Nylon bush
22	9282107	1	Side shelf center left	69	0141149	2	Screw M5x16
23	9282108	1	Side shelf center right	70	9284424	1	Frame, right
24	9070793	8	Spacing pin, 3D nut M6	71	9284423	1	Frame, left
25	9221036	2	Plug, light, 4-pole	72	9284420	2	Mounting profile, castors
26	9221037	2	Socket, light, 4-pole	73	9284965	1	Side panel, right, top RAL 7022
27	6511627	6	Lamp holder	74	9284966	1	Skirting, right. RAL 7022
28	9221027	3	TL lamp 21 W / 830	75	9284967	1	Side panel, left, top RAL 7022
29	9285505	2	Light fixture, outside	76	9284968	1	Skirting, left. RAL 7022
30	9285504	2	Light fixture, inside	77	9284452	1	Front panel, top. RAL 7022
31	9284050	3	Holder, price rail	78	9284453	1	Skirting, front. RAL 7022
32	9283012	3	Price rail, transparent	79	9284454	1	Blind plate, skirt. RAL 7022
33	9222074	1	Thermometer	80	9191182	2	Magnet
34	9285637	1	Mounting profile for holder price rail	81	9261055	1	Compressor
35	9285638	1	Grid	82	9261057	1	Condensor
36	9282111	1	Air guide, plastic, top	83	9261053	1	Fan motor, condensor
37	9282112	1	Air guide panel, top shelf	84	9284544	1	Bracket, tubing
38	9282119	1	Air guide panel, middle shelf	85	2648943	1	Indication plate
39	3702341	4	Flange bush, PTFE 2.5 mm	86	9231004	2	Magnetic bar
40	9284642	4	Secure lip, air guide	87	9172065	2	Swivel caster
41	9284636	2	Bottom plate without product stopper	88	9172066	2	Swivel caster with brake
42	9282116	2	Product stopper	89	9222076	1	Strain relief
				90	9222077	1	Nut, strain relief

Item	Part number	Qty	Description
91	9172401	1	Connecting cable with plug NEMA 6-20P
92	9285133	1	Connection box
93	9284134	1	Cover, box
94	9221054	1	Contactora
95	9292038	1	Connecting block 1 to 6
96	8071060	4	Earth connection, 2-pole
97	8072071	1	Connecting block, mains
98	9221069	2	Ballast TL 1 or 2 F28T5, F21T5, F14T5 HE
99	9070840	3	Grommet SB-1093-15 black polyamide
100	9284648	1	Operation panel
101	9261111	1	Thermostat, Danfoss ERC 213, 115 V
102	9181008	2	Tumble switch
103	9181071	1	Sticker, lighting
104	9261005	1	Sticker, cooling
105	9285649	1	Cover plate, condensor
106	9285514	1	Ventilation panel, backside
107	9228054	1	Evaporator tray
108	9284537	1	Mounting bracket, front side
110	9151010	1	Terminal block 6-pole
111	9284067	1	Panel, backside

EMPTY PAGE

MODULAR COUNTER 40 COLD FULL SERVICE CUBE CURVED

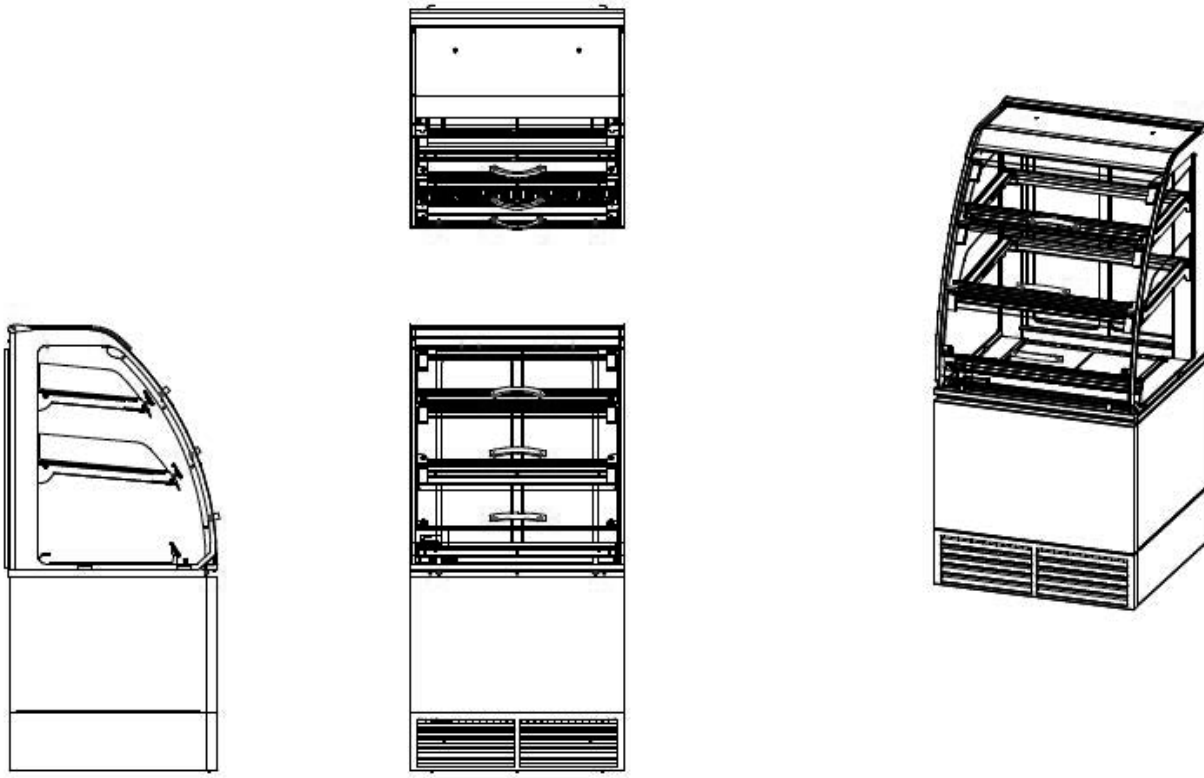


Item	Part number	Qty	Description
1	92800255	1	Glass, bended, complete with profiles
1-1	1	Glass, bended, without profiles
1-2	9283008	1	Glassholder profile
1-3	9283009	1	Protection profile (plastic)
2	9283019	1	Base profile glassholder
2-1	9283018	1	Cover profile
2-2	9281019	3	Plastic clip
3	9284097	1	Cover plate, left
4	9284098	1	Cover plate, right
5	9284065	1	Mounting profile, glassholder
6	9284046	1	Cover plate
13	9285501	1	Shelf support, left, top
14	9285500	1	Shelf support, right, top
15	9285503	1	Shelf support, left, middle
16	9285502	1	Shelf support, right, middle
17	9282009	1	Glass plate, top
18	9282007	1	Glass plate, middle
19	9285524	2	Support, glass plate, top
20	9282105	1	Side shelf top left
21	9282106	1	Side shelf top right
22	9282107	1	Side shelf center left
23	9282108	1	Side shelf center right
24	9070793	8	Spacing pin, 3D nut M6
25	9221036	2	Plug, light, 4-pole
26	9221037	2	Socket, light, 4-pole
27	6511627	6	Lamp holder
28	9221027	3	TL lamp 21 W / 830
29	9285505	2	Light fixture, outside
30	9285504	2	Light fixture, inside
31	9284050	3	Holder, price rail
32	9283012	3	Price rail, transparent
33	9222074	1	Thermometer
34	9285637	1	Mounting profile for holder price rail
35	9285638	1	Grid
36	9282111	1	Air guide, plastic, top
37	9282112	1	Air guide panel, top shelf
38	9282119	1	Air guide panel, middle shelf
39	3702341	4	Flange bush, PTFE 2.5 mm
40	9284642	4	Secure lip, air guide
41	9284636	2	Bottom plate without product stopper
42	9282116	2	Product stopper
43	9284546	1	Fan plate
44	9221011	2	Temperature sensor
45	9222207	2	Blower, without fanblade 115 V
46	8071028	2	Fanblade
47	8071070	2	Fan cover
48	9284469	2	Suction fan ring
49	9282031	1	Evaporator

Item	Part number	Qty	Description
50	9284545	1	Evaporator plate
51	9282121	1	Air guide bottom, honeycomb
52	9282120	1	Air divider, honeycomb
53	9280440	1	Holder, honeycomb divider
54	92800285	1	Sliding door ass., left
54-1	9281010	2	Sliding wheel
55	92800295	1	Sliding door ass., right
55-1	9281010	2	Sliding wheel
56	6511627	2	Lamp holder
57	9221027	1	TL lamp 21 W / 830
58	92820005	2	Side glass
59	9284064	4	Glass holder
60	9284015	1	Cover profile, left
61	9284035	1	Cover profile, right
64	9191182	1	Magnet
65	9281044	2	Magnet
66	9284711	1	Light fixture, top side
67	9222206	1	Set of 2 elements 200 W + controller
68	9040659	2	Nylon bush
69	0141149	2	Screw M5x16
70	9284424	1	Frame, right
71	9284423	1	Frame, left
72	9284420	2	Mounting profile, castors
73	9284965	1	Side panel, right, top RAL 7022
74	9284966	1	Skirting, right. RAL 7022
75	9284967	1	Side panel, left, top RAL 7022
76	9284968	1	Skirting, left. RAL 7022
77	9284452	1	Front panel, top. RAL 7022
78	9284453	1	Skirting, front. RAL 7022
79	9284454	1	Blind plate, skirt. RAL 7022
80	9191182	2	Magnet
81	9261055	1	Compressor
82	9261057	1	Condensor
83	9261053	1	Fan motor, condensor
84	9284544	1	Bracket, tubing
85	2648943	1	Indication plate
86	9231004	2	Magnetic bar
87	9172065	2	Swivel caster
88	9172066	2	Swivel caster with brake
89	9222076	1	Strain relief
90	9222077	1	Nut, strain relief
91	9172412	1	Connecting cable with plug, NEMA 5-20P
92	9285133	1	Connection box
93	9284134	1	Cover, box
94	9221054	1	Contactora
95	9292038	1	Connecting block 1 to 6
96	8071060	4	Earth connection, 2-pole
97	8072071	1	Connecting block, mains

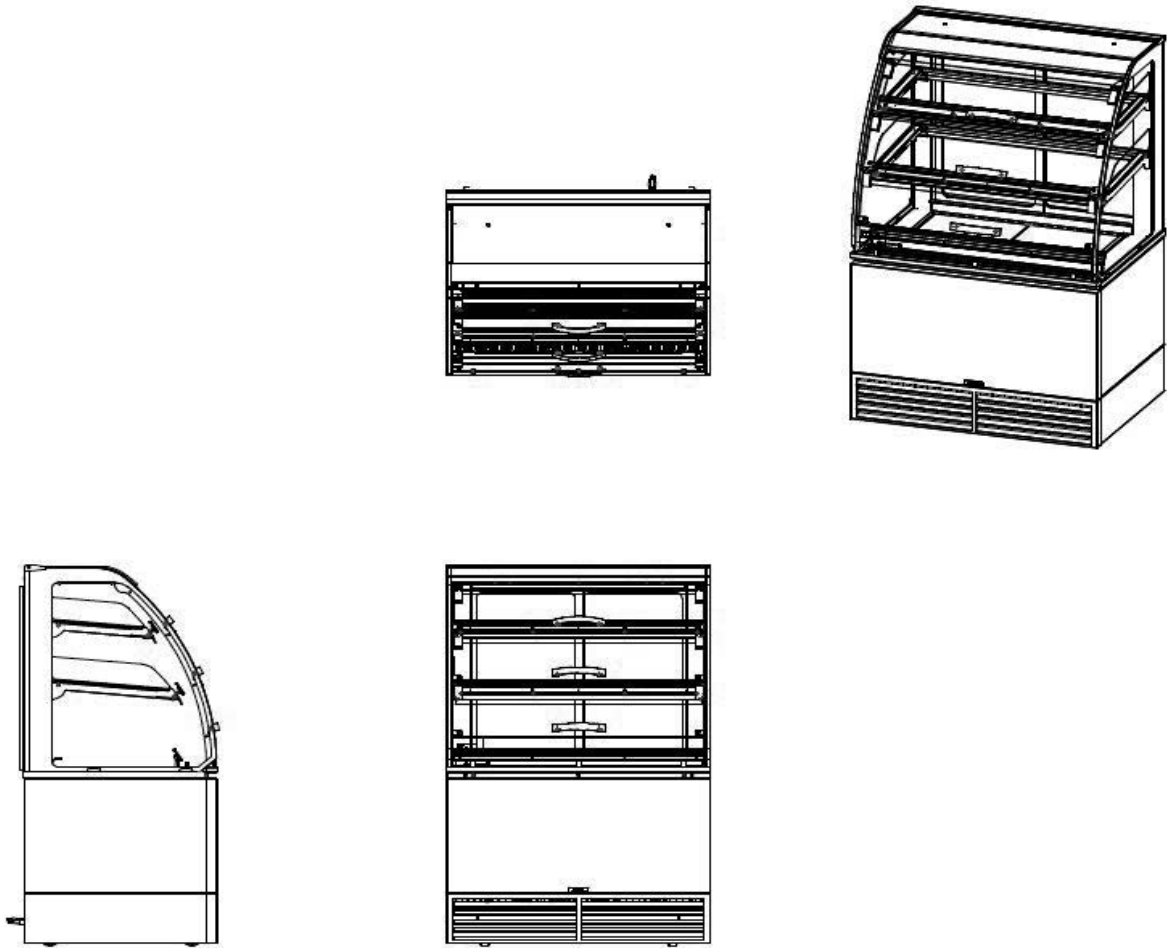
EMPTY PAGE

MODULAR COUNTER 30 COLD FULL SERVICE CUBE CURVED FLAP DOORS



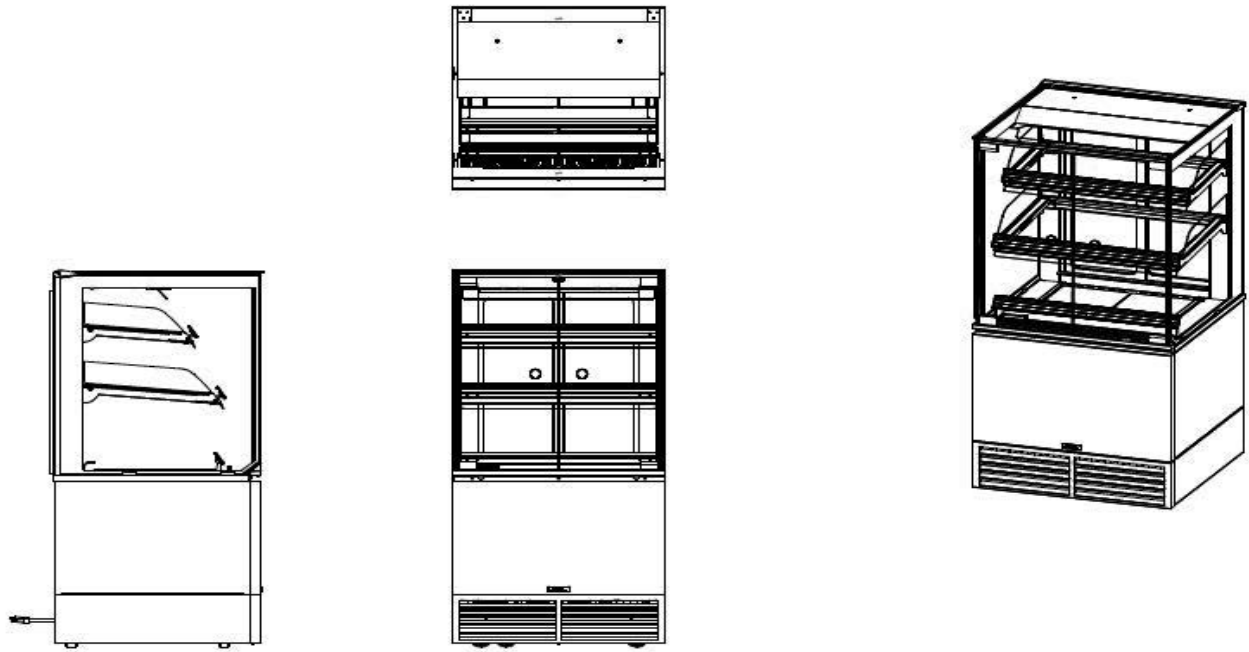
Article number	Description
9271000	Tube light 5 14W 830 foodsave
9280072	Door sliding, left 75
9280073	Door sliding, right 75
9280390	Ass. cooling 75 UL
9172412	POWER CORD UL 14AWG 100' 05-20P_LEADS
9280204	Ass. flap door 75
9280391	Ass. square underframe cold 75 FS UL
9280371	Ass. electric component cold 15V
9280205	Ass. frame left
9280206	Ass. frame right
9280564	Ass. shelf middle 75 cold
9280563	Ass. shelf top 75 cold
9280160	Ass. panels 75 CB Cold + sklrts
9280092	Ass. packaging 75 MC
9280512	Ass. U-frame standard 75
0141123	Screw M5x10 pan head
0141092	Screw M4x12 pan head
0141335	Screw M4x6 countersunk
6802013	Nut rivet M5, AVK reduced
8071060	Blind rivet earth PMC2/6.3
9082211	Grommet SB-562-7 polyamide
9221025	Lamp base G5 piercing
9222423	Sticker Fri-Jado mirror image
9262076	Support glass
9281038	Glass foot
9282078	Front glass-pane curved 75 SS
9282077	Front glass-pane 100
9283027	Clamp finishing, glass profile
9283028	Base glass profile
9283013	Hinge cut
9284015	Support left
9284035	Support right
9284254	Cover profile
9284095	Cover plate left, glass profile
9284096	Cover plate right, glass profile
9284270	Cover profile 75
9284617	Cover outer
9284619	Air guide plate
0142307	Nut M4 hexagon DIN 934
0142129	Washer M4 plain DIN 125
0141199	Screw M4x6 pan head
4312352	Blind rivet 4x8,5 TSP/D56BS, range 4,8 mm
9282000	Side glass-pane left/right
9281044	Magnet 16x16x4 mm neodymium
9008217	Blind rivet 4x8,6 TAP D56BS, range 4,8
9282126	Air guide panel top 75
9284669	Light armature top 75

MODULAR COUNTER 40 COLD FULL SERVICE CUBE CURVED FLAP DOORS



Article number	Description
9280203	Ass. flap door 100
9221027	Tube light 5 21W 830 foodsave
9280344	Ass. square underframe cold FS UL
9280028	Sliding door left
9280029	Sliding door right
9280343	Ass. cooling 100/40° UL
9280066	Ass. panels 100 CB cold + skirts
9172412	POWER CORD UL 14AWG 100' 05-20P_LEADS
9280371	Ass. electric component cold 115V
9280205	Ass. frame left
9280206	Ass. frame right
9280562	Ass. shelf middle 100 cold
9280561	Ass. shelf top 100 cold
9280052	Ass. packaging 100 MC
9280511	Ass. U-frame standard UL
0141123	Screw M5x10 pan head
0141092	Screw M4x12 pan head
0141393	Screw M4x10 countersunk
0141335	Screw M4x6 countersunk
6802013	Nut rivet M5, AVK reduced
8071060	Blind rivet earth PMC2/6.3
9082211	Grammet SB-562-7 polyamide
9191182	Magnet 36x15x10 mm neodymium
9221025	Lamp base G5 piercing
9222423	Sticker Fri-Jado mirror image
9262076	Support glass
9281038	Glass foot
9282002	Front glass-pane curved 100 SS
9282008	Front glass-pane front 100
9282111	Air guide panel top 100
9283006	Clamp finishing, glass profile
9283007	Base glass profile
9283013	Hinge cut
9284015	Support left
9284035	Support right
9284047	Cover profile SS
9284095	Cover plate left, glass profile
9284096	Cover plate right, glass profile
9284271	Cover profile 100
9284711	Cover outer
9284712	Air guide plate top cap
0142307	Nut M4 hexagon DIN 934
0142129	Washer M4 plain DIN 125
0141199	Screw M4x6 pan head
4312352	Blind rivet 4x8,5 TSP/D56BS, range 4,8 mm
9282000	Side glass-pane left/right
9281044	Magnet 16x16x4 mm neodymium
9008217	Blind rivet 4x8,6 TAP D56BS, range 4,8
9284639	Armature top 100

MODULAR COUNTER 30 COLD FULL SERVICE CUBE SQUARE DOORS



Article number	Description
9271000	Tube light 5 14W 830 frostsave
9280072	Door sliding, left 75
9280073	Door sliding, right 75
9280390	Ass. coating 75 UL
9172412	POWER CORD UL 14AWG 100' 05-20P_LEADS
9280391	Ass. square underframe cold 30 FS UL
9280371	Ass. electric component cold 15V
9282143	MC SQ side pane (black)
9222550	Crate 3-layer front glass
9280564	Ass. shelf middle 75 cold
9280563	Ass. shelf top 75 cold
9280160	Ass. panels 75 CB Cold + skirts
9280092	Ass. packaging 75 MC
9280512	Ass. U-frame standard 75
0142103	Washer M5 plain DIN 125
0141123	Screw M5x10 pan head
0141092	Screw M4x12 pan head
0141393	Screw M4x10 countersunk
9086207	Plug 15-149, holediameter 7 mm
4285408	Nut M5 hexagon domed cap DIN 1587
6802013	Nut rivet M5, AVK reduced
8071060	Blind rivet earth PMC2/6.3
9082211	Grammet SB-562-7 polyamide
9221024	Hinge Zamak Economy, set 2 pieces
9221025	Lamp base G5 piercing
9281038	Glass foot
9283027	Clamp finishing, glass profile
9283028	Base glass profile
9283013	Hinge cut
9284015	Support left
9284035	Support right
9284254	Cover profile
9284095	Cover plate left, glass profile
9284096	Cover plate right, glass profile
9284617	Cover outer
9284619	Air guide plate
9282181	Glass-pane turnable MC75
9282142	MC 75 SQ SQ glass top
0141539	Screw M5x10 countersunk
0142307	Nut M4 hexagon DIN 934
0142129	Washer M4 plain DIN 125
0141199	Screw M4x6 pan head
4312352	Blind rivet 4x8,5 TSP/D56BS, range 4.8 mm
9281044	Magnet 16x16x4 mm neodymium
9284345	Support bottom front door SQ 75
9284344	Support top front door SQ 75
9282126	Air guide panel top 75
9284669	Light armature top 75
9284340	Frame front door SQ right
9284341	Frame front door SQ left
4302179	Bag 120x180mm

MODULAR COUNTER 40 COLD FULL SERVICE CUBE SQUARE DOORS



Article number	Description
9221027	Tube light 5 21W 830 foodsave
9280344	Ass. square underframe cold FS UL
9280028	Sliding door left
9280029	Sliding door right
9280343	Ass. cooling 100/40° UL
9280066	Ass. panels 100 CB cold + skirts
9172412	POWER CORD UL 14AWG 100' 05-20P_LEADS
9280371	Ass. electric component cold 115V
9282143	MC SQ side pane (black)
9280562	Ass. shelf middle 100 cold
9280561	Ass. shelf top 100 cold
9280052	Ass. packaging 100 MC
9280511	Ass. U-frame standard UL
0142103	Washer M5 plain DIN 125
0141123	Screw M5x10 pan head
0141092	Screw M4x12 pan head
0141393	Screw M4x10 countersunk
0141335	Screw M4x6 countersunk
9086207	Plug 16-149, hole diameter 7 mm
4285408	Nut M5 hexagon domed cap DIN 1687
6802013	Nut rivet M5, AVK reduced
8071060	Blind rivet earth PMC2/6.3
9082211	Grammet SB-562-7 polyamide
9191182	Magnet 36x15x10 mm neodymium
9221024	Hinge Zamak Economy, set 2 pieces
9221025	Lamp base G5 piercing
9281038	Glass foot
9282111	Air guide panel top 100
9283006	Clamp finishing, glass profile
9283007	Base glass profile
9283013	Hinge cut
9284015	Support left
9284035	Support right
9284047	Cover profile SS
9284095	Cover plate left, glass profile
9284096	Cover plate right, glass profile
9284711	Cover outer
9284712	Air guide plate top cap
9282180	Glass-pane turnable MC100
9282141	MC 100 SQ SQ glass top
0141539	Screw M5x10 countersunk
0142307	Nut M4 hexagon DIN 934
0142129	Washer M4 plain DIN 125
0141199	Screw M4x6 pan head
4312352	Blind rivet 4x8,5 TSP/D568S, range 4,8 mm
9281044	Magnet 16x16x4 mm neodymium
9284343	Support bottom front door SQ 100
9284342	Support top front door SQ 100
9284639	Armature top 100
9284340	Frame front door SQ right
9284341	Frame front door SQ left

EMPTY PAGE

EMPTY PAGE

For technical support call:	877 392-7851
For parts call:	877 374-5236

