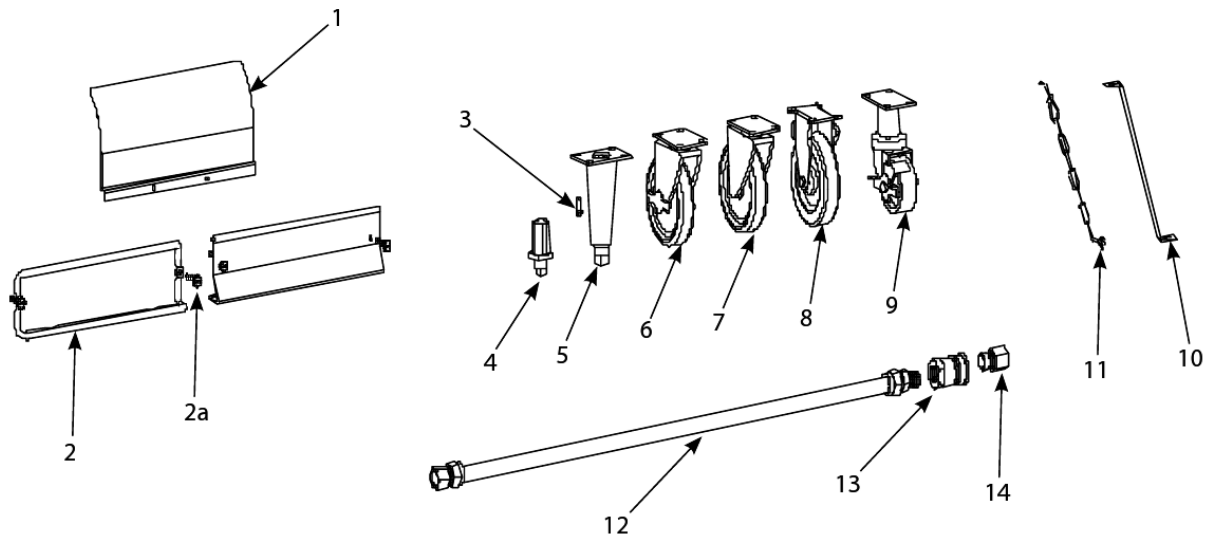


35 Series Gas Fryers

Accessories



35 Series Gas Fryers

Accessories

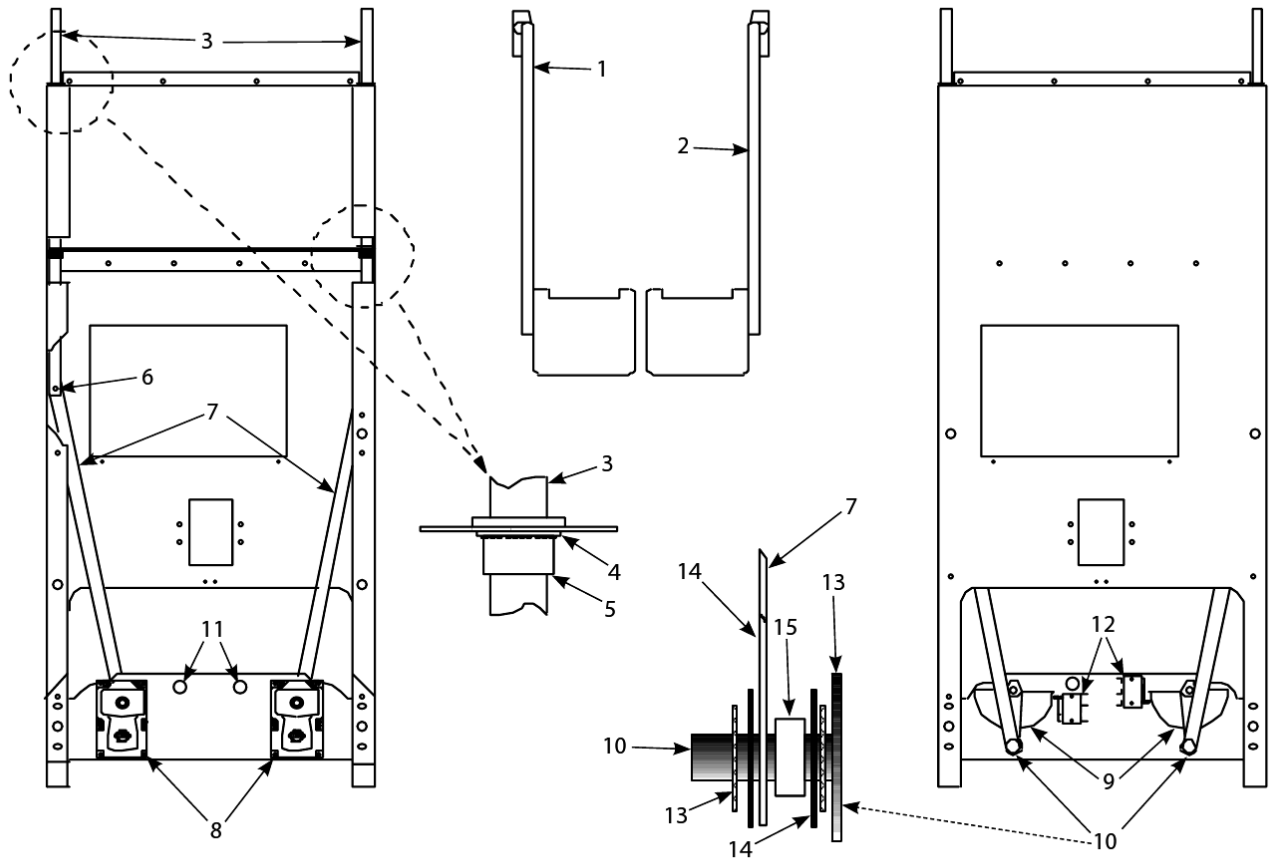
| # | PART # | DESCRIPTION | QTY | Note |
|-----|-------------|---|-----|------|
| 1 | 9103557 | Fryer's Friend 27" | 1 | |
| 2 | 8101403 | Hanger, Wireform Basket | 1 | |
| 2a | 8090171 | Thumbscrew, 0.25-20 x 1.375-inch | 1 | |
| 2b | 8090921-FRY | Spacer, Basket Hanger | 1 | [1] |
| 2c | 8261351 | Nut Retainer, 0.25-20 Std. Fluecap | 10 | [2] |
| 3 | 8261389 | Screw - 0.25"-20 x 0.75" Hex Head ZP | 10 | |
| 4 | 8100007 | Leg, Square Tube | 1 | |
| 5 | 8263320 | Leg - 4 Pack | 1 | [3] |
| 6 | 8100357 | Caster with Brake - 5" | 1 | |
| 7 | 8100356 | Caster without Brake - 5" | 1 | |
| 8 | 8100378 | Caster, Stationary- 5" Rigid | 1 | |
| 9 | 8100651 | Caster w/Brake -FootPrint II | 1 | |
| 10 | 8261095 | Anchor Strap Kit | 1 | [4] |
| 11 | 8260900 | Kit, Chain Restraint | 1 | [5] |
| 12 | 8100085 | Gas Line, 1-Inch Dormont Flexible, 48-Inch | 1 | |
| 12a | 8100084 | Hose, Flexible Gas, 0.75-inch x 48-inch | 1 | |
| 13 | 8100073 | Coupling, Gas Line Female Quick Disconnect 1-inch | 1 | |
| 13a | 8103745 | Quick Disconnect - 0.75" | 1 | |
| 14 | 8100074 | Quick-Disconnect Fitting, 1-Inch Male | 1 | |
| 14a | 8103745 | Quick Disconnect - 0.75" | 1 | |
| 15 | 8030271 | Basket, Twin Size | 1 | |
| 16 | 8030032 | Basket Support Rack, J2X | 1 | [6] |
| 17 | 8030037 | Basket rack, fine mesh GF14 | 1 | [6] |
| 18 | 8030188 | Sediment tray, GF14 | 1 | |
| 19 | 8030197 | Fryer's Friend | 1 | |
| 20 | 9107443 | Top Connecting Strip | 1 | |

PART NOTES:

- [1] - goes behind Item 2a and covers screw threads
- [2] - for use on standard fluecap
receives Item 2a
- [3] - 4 Per Set
- [4] - for use on fryers equipped with legs only
- [5] - for use on fryers equipped with casters only
- [6] - 11.5-inch X 14.5-inch

35 Series Gas Fryers

Basket Lift



35 Series Gas Fryers

Basket Lift

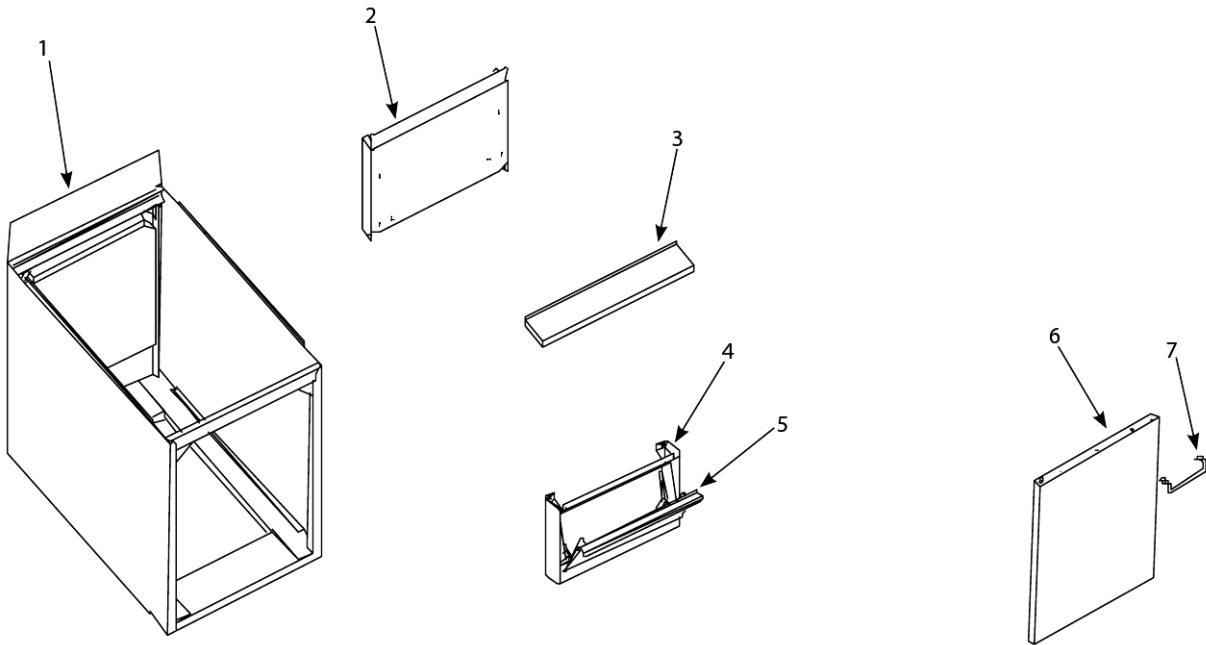
| # | PART # | DESCRIPTION | QTY | Note |
|-----|-----------|---|-----|------|
| 1 | 8230040 | Basket Lift Arm, MJ35 Left | 1 | |
| 1a | 8237062 | Basket Lift Arm, Left | 1 | [1] |
| 2 | 8237057 | Basket Lift Arm - Right | 1 | |
| 2a | 8237064 | Basket Lift Arm, Right | 1 | [1] |
| 3 | 8100192 | Rod, Basket Lift | 1 | |
| 4 | 8090082 | Ring, Bushing Retainer | 1 | |
| 5 | 8130035 | Bushing , Oiltite .640 I.D. | 1 | |
| 6 | 8100170 | Pin, Connecting | 1 | |
| 7 | 9206076 | Link, Basket Lift | 1 | |
| 8 | 8070107 | Motor, Gear | 1 | |
| 8a | 8070108 | Gearmotor - Basket Lift - 240V | 1 | |
| 9 | 8100052 | Bellcrank and Cam | 1 | |
| 9a | 8090480 | Setscrew, 0.25-28 X 0.625-inch Hex Socket Head | 1 | [2] |
| 10 | 8090155 | Leveling Screw | 1 | |
| 11 | 8070124 | Bushing, Plastic | 1 | |
| 12 | 8070240 | Microswitch | 1 | |
| 13 | 8090194 | Flat Washer - 0.3125" ZP | 1 | |
| 14 | 8261381 | Washer, Nylatron | 10 | |
| 15 | 8100220 | Spacer, Tubular, .493 OD | 1 | |
| 16 | 9003783 | Cover, Stainless Steel Rear Cabinet (mild steel) | 1 | |
| 16a | 9103783 | Cover, Stainless Steel Rear Cabinet | 1 | [3] |
| 17 | 8062079SP | Wiring Harness, Basket Lift Motor (6-pin female w/7 wires) | 1 | |
| 18 | 8067019SP | Wiring Harness, Non-Modular Basket Lift (6-pin male & female w/5 wires) | 1 | |
| 19 | 8090503 | Screw - #8-32 x 0.5" Slotted Truss Head | 1 | [4] |

PART NOTES:

- [1] - for FM35 units
- [2] - secures Item Bell Crank to Item Gear Motor, Basket Lift, 120VAC
- [3] - for stainless steel
- [4] - Hex Head

35 Series Gas Fryers

Cabinetry



35 Series Gas Fryers

Cabinetry

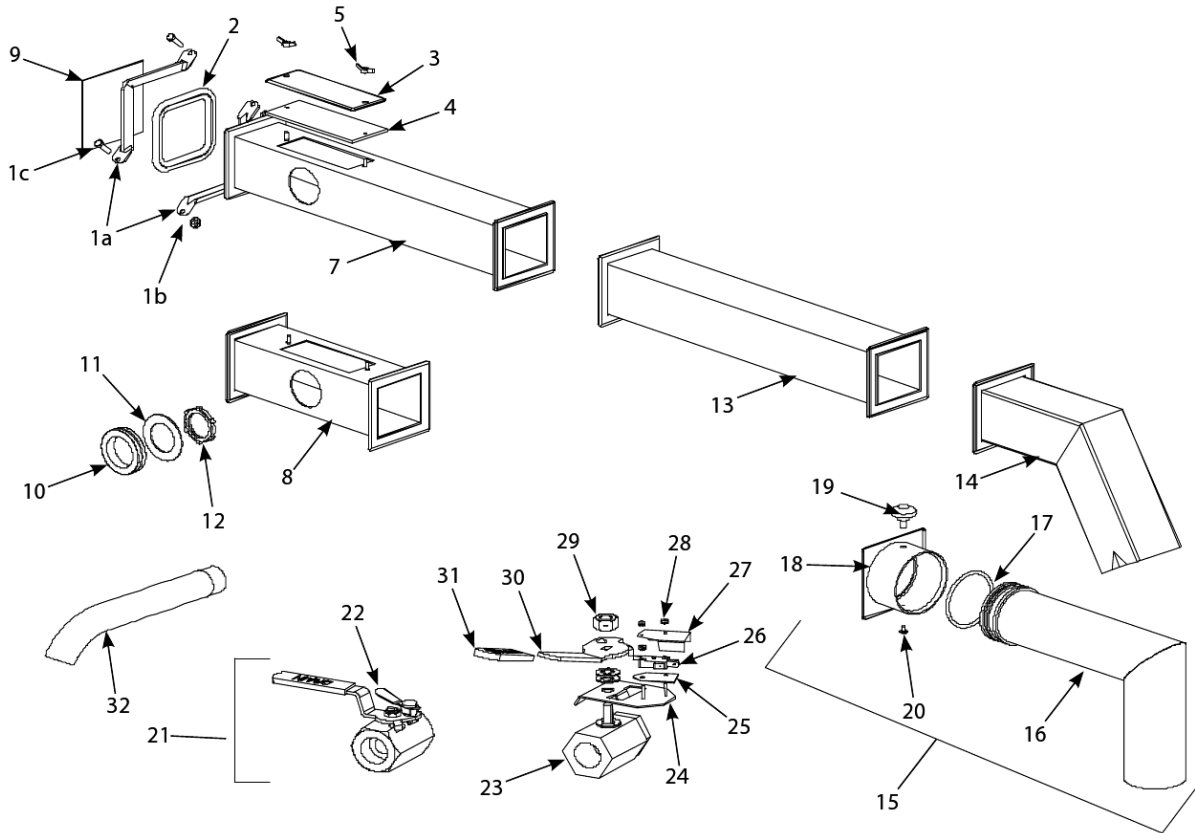
| # | PART # | DESCRIPTION | QTY | Note |
|----|------------|--|-----|------|
| 1 | 80645981SP | Cabinet Assembly, Stainless Steel | 1 | |
| 1a | 8064598SP | Cabinet Assembly, Cold Rolled Steel | 1 | |
| 2 | 9105040 | Flue Cap, Single | 1 | |
| 2a | 9105041 | Flue Cap, Double | 1 | |
| 2b | 9105042 | Flue Cap, Triple | 1 | |
| 3 | 8240442SP | Top Cap, Single | 1 | |
| 3a | 8240443SP | Top Cap, Double | 1 | |
| 3b | 8240444SP | Top Cap, Triple | 1 | |
| 4 | 8065287 | Control Panel Assembly with Thermostat Access Door, Single | 1 | |
| 4a | 8064733 | Control Panel Assembly with Thermostat Access Door, Double | 1 | |
| 4b | 8064734 | Control Panel Assembly with Thermostat Access Door, Triple | 1 | |
| 5 | 9104480 | Thermostat Access Door | 1 | |
| 6 | 8066405SP | Door Assembly, Short, Stainless Steel | 1 | |
| 6a | 8066405SP | Door Assembly, Short, Stainless Steel | 1 | [1] |
| 6b | 8063338 | Door Assembly, Long, Cold Rolled Steel | 1 | [2] |
| 6c | 8063337 | Door Assembly, Long, Stainless Steel | 1 | [2] |
| 7 | 8101422 | Handle, Wireform Door | 1 | [3] |
| 8 | 8261343 | Spring - Door Pin Hinge | 1 | |
| 9 | 1064067SP | Door Pin Assembly | 1 | |
| 10 | 8101508 | Hinge, Universal Door | 1 | |
| 11 | 8100066 | Magnet | 1 | |
| 12 | 9106039 | Trough, Backsplash | 1 | |
| 13 | 8065518 | Cover, Frypot, Full Vat | 1 | |

PART NOTES:

- [1] - used on G-Series units only
- [2] - used on all except G-Series units
- [3] - wire form

35 Series Gas Fryers

Drain System Components



35 Series Gas Fryers

Drain System Components

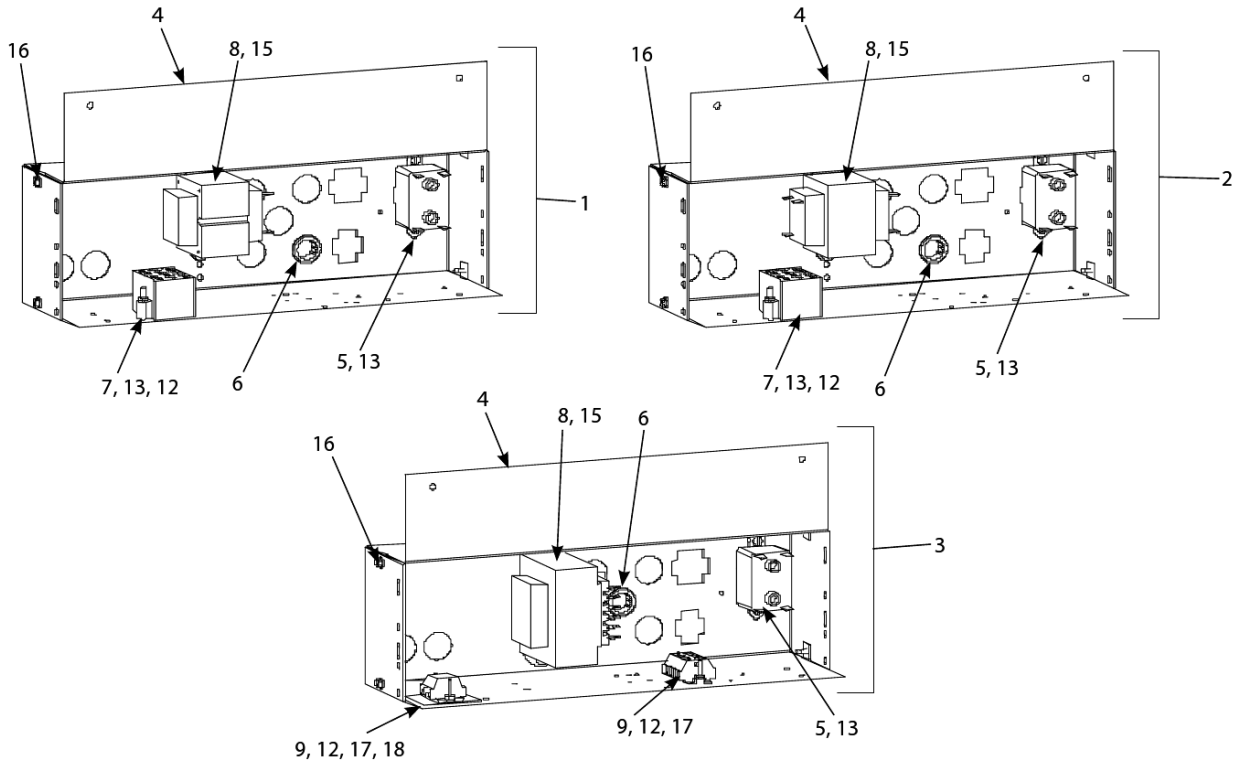
| # | PART # | DESCRIPTION | QTY | Note |
|----|-----------|--|-----|------|
| 1 | 8260877 | Kit, Square Drain Clamp | 1 | [1] |
| 1a | 8100396 | Clamp, Square Drain | 1 | [2] |
| 1b | 8261362 | Nut - 0.25"-20 Hex | 1 | |
| 1c | 8261375 | Screw - #10-32 x 0.75" - Hex Trim Head SS | 1 | |
| 2 | 8160032 | Gasket, Square Drain | 1 | [3] |
| 3 | 8261348 | Cover, Drain Cleanout | 5 | |
| 4 | 8160021 | Gasket, Drain Cleanout | 1 | |
| 5 | 8261382 | Wingnut | 10 | |
| 6 | 9000757 | Cover, Drain End | 1 | |
| 7 | 8230717 | Drain Tube, Open End Long | 1 | |
| 8 | 8230718 | Drain Tube, Left End, 2.5 x 8.0-inch | 1 | |
| 9 | 8130284 | Nipple - 0.75" x 1" NPT | 1 | [4] |
| 10 | 8160092 | Grommet, 1-inch Drain | 1 | |
| 11 | 8261345 | Washer, 1-inch Drain | 25 | [5] |
| 12 | 8090347 | Nut, 1-inch NPT Retainer | 1 | |
| 13 | 8230731 | Extension, Spreader Cabinet, 15.5-inches Long | 1 | |
| 14 | 8230719 | Drain Outlet, Fixed | 1 | |
| 15 | 8064068SP | Elbow, Swivel, Complete Assembly (Items 5-9)- FMCF | 1 | |
| 16 | 8231091 | Drain Tube, Swivel | 1 | |
| 17 | 8160083 | O-Ring, 2.5-inches ID | 1 | |
| 18 | 8231092 | Collar, Drain | 1 | |
| 19 | 8100388 | Knob, 1" Black | 1 | |
| 20 | 8090115 | Screw - #10-32 x 0.25" Truss Head | 1 | |
| 21 | 8101569 | Valve, 1.25-inch, Non-filter, Full-vat Drain | 1 | [6] |
| 22 | 8101568 | Handle, Drain Valve | 1 | |
| 23 | 8101020 | Valve, 1-inch Full-Vat Drain | 1 | [7] |
| 24 | 8068137 | Bracket Assembly, Full-Vat Drain Safety Switch | 1 | |
| 25 | 8160220 | Insulation, Microswitch | 1 | |
| 26 | 8072103 | Microswitch | 1 | |
| 27 | 9002841 | Cover, Full Vat Drain Safety Switch | 1 | |
| 28 | 8261366 | Nut - #4-40 Keps Hex | 1 | |
| 29 | 8090540 | Nut, Lock 0.5-inch-13 Hex 2-Way ZP | 1 | |
| 30 | 8100820 | Components, Handle, Drain Valve w/o Lock Pin | 1 | |
| 31 | 8160211 | Sleeve, Handle | 1 | |
| 32 | 8130188 | Drain Nipple, Extended | 1 | |

PART NOTES:

- [1] - Contains 2 Clamps, 2 Nuts and 1 Screw
- [2] - Requires 2 per connection
- [3] - Connection Gasket
- [4] - connects drain valve to drain tube
- [5] - 1.375-in. ID x 2.1875 -in. OD
- [6] - for use on MJ35 units
- [7] - for use on FM35 units

35 Series Gas Fryers

Filter Boxes



35 Series Gas Fryers

Filter Boxes

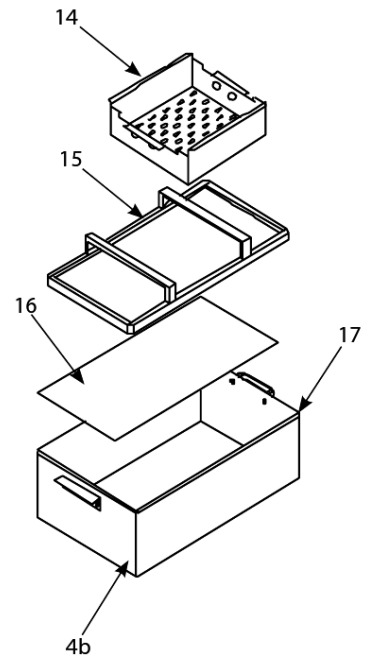
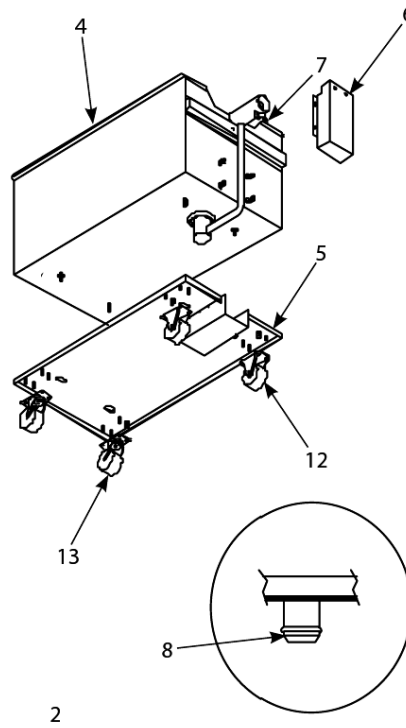
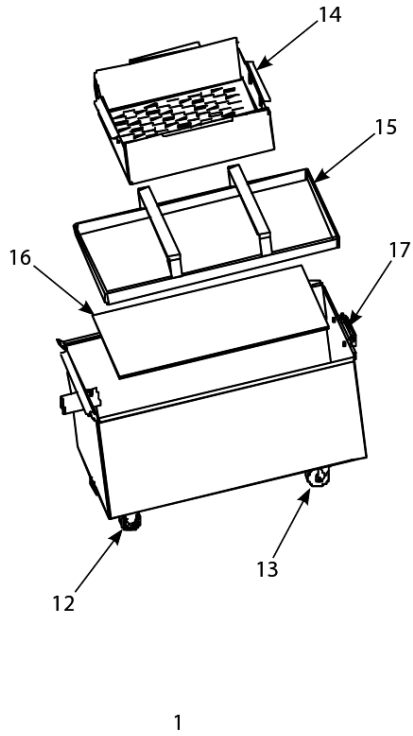
| # | PART # | DESCRIPTION | QTY | Note |
|----|-----------|---|-----|------|
| 1 | 8064359SP | Box Assembly, 120VAC Non-CE Filter | 1 | |
| 2 | 8064360 | Box Assembly, 208-240VAC Non-CE Filter | 1 | |
| 3 | 8066709 | Box Assembly, 230VAC CE Filter | 1 | |
| 4 | 2000410 | Box, Control, Filter Magic Common Electric | 1 | |
| 5 | 8070012 | Filter Relay - 18A 24VAC | 1 | |
| 6 | 8070124 | Bushing, Plastic | 1 | |
| 7 | 8070276 | Block, UL Male 12 Pin Terminal | 1 | |
| 8 | 8070800 | Transformer, 100-120V/24V 50VA Filter and MIB | 1 | [1] |
| 8a | 8070680 | Transformer, 208V, 50/60Hz -24V 20VA | 1 | [1] |
| 8b | 8074978 | Transformer - Dual Voltage 100-120V/12V 30VA /24V 50VA | 1 | [1] |
| 9 | 8261366 | Nut - #4-40 Keps Hex | 25 | |
| 10 | 8261358 | Nut, 6-32 Keps Hex | 25 | |
| 11 | 8090050 | Nut, 8-32 Hex | 1 | |
| 12 | 8261359 | Screw - #4-40 x 0.75" Slotted Round Head | 25 | |
| 13 | 8090096 | Screw, 6-32 x 0.625-inch Slot Head | 1 | |
| 14 | 8090097 | Screw, 6-32 X 1-inch Slotted Truss Head | 1 | |
| 15 | 8261363 | Screw - #8-32 x 0.5" NP | 25 | |
| 16 | 8090360 | Screw, 8 x 0.375-inch Hex Washer Slot Head | 1 | |
| 17 | 8101164 | Block, One-Piece Screwless Terminal | 1 | |
| 18 | 8160217 | Insulation, Terminal Block Paper | 1 | |
| 19 | WIR0010SP | Harness and Wire Assemblies, 120V Standard Filter Control | 1 | |
| 20 | WIR0146SP | Harness and Wire Assemblies, 230V/50Hz Filter Box | 1 | |

PART NOTES:

[1] - used with CE

35 Series Gas Fryers

Filter Pans



35 Series Gas Fryers

Filter Pans

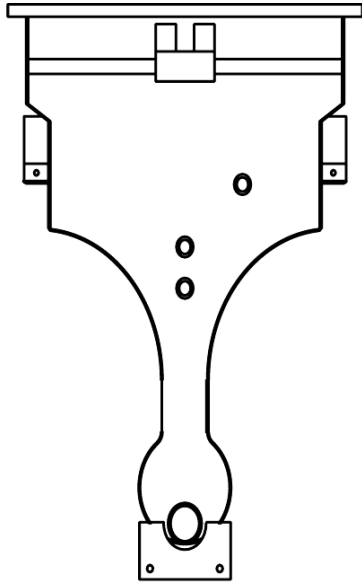
| # | PART # | DESCRIPTION | QTY | Note |
|----|-------------|----------------------------------|-----|------|
| 1 | 8069255SP | Filter Pan Assembly | 1 | [1] |
| 1a | 8232751SP | One-Piece Pan Only | 1 | |
| 2 | 8066093SP | Two-Piece Pan Assembly, Complete | 1 | [2] |
| 3 | 8064338SP | Outer Pan Assembly | 1 | [3] |
| 4 | 8231360SP | Outer Pan Assembly | 1 | |
| 4a | 8065282SP | Inner Pan Assembly | 1 | [4] |
| 4b | 8231731SP | Inner Pan Assembly | 1 | |
| 5 | 8231361 | Base, Filter Pan Assembly | 1 | |
| 6 | 8240291 | Cover, Suction Tube | 1 | |
| 7 | 9101350 | Clamp - Suction Tube | 1 | |
| 8 | 8160117PK | O-Ring - 0.609 OD - QTY 10 | 1 | |
| 9 | 8064373 | Heater Strip Assembly | 1 | |
| 10 | 8110861 | Foam Insulation – by the foot | 1 | |
| 11 | 8110746-FRY | Aluminum Tape – 50 yard roll | 1 | [5] |
| 12 | 8102807 | Caster - 2" Rigid | 1 | |
| 13 | 8102805 | Caster - 2" | 1 | |
| 14 | 8240416 | Crumb Screen | 1 | |
| 15 | 8101406 | Hold Down Ring Assembly | 1 | |
| 16 | 8103537 | Screen, Sana Grid | 1 | |
| 17 | 8100180 | Handle | 1 | |
| 18 | 8030170 | Filter Paper, 16.5" x 25.75" | 100 | |
| 19 | 8030002 | Powder, Filter | 1 | [6] |

PART NOTES:

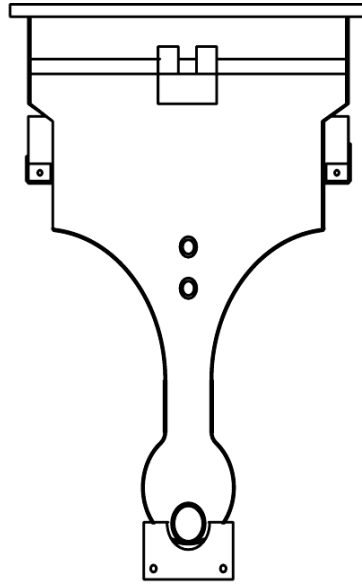
- [1] - Includes items Suction Tube clamp, O-Ring, .609 OD, Foam Insulation, Aluminum Insulation (50-yard/46m roll) and Rigid Caster
- [2] - Unique components are listed below
- [3] - Includes items Filter Pan Assembly, Outer Pan, Filter Pan Assembly Base, Suction Tube Clamp, O-Ring, .609 OD and Heater Strip Assembly
- [4] - Includes items Pan Assembly, Suction Tube Cover, Foam Insulation, Aluminum Insulation (50-yard/46m roll) and Rigid Caster
- [5] - 50-yard/46m roll
- [6] - 100 1-cup applications

35 Series Gas Fryers

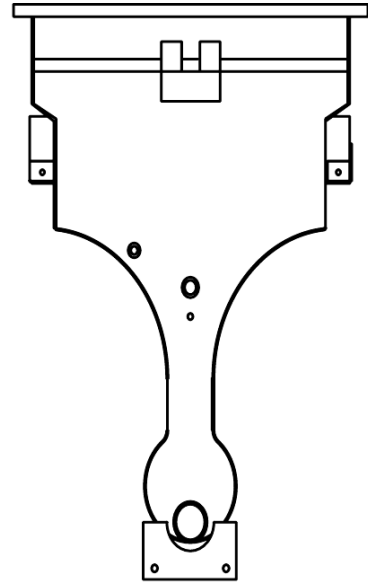
Frypots



FM35
Frypot



MJ35
Frypot



MJ35V
Frypot

35 Series Gas Fryers

Frypots

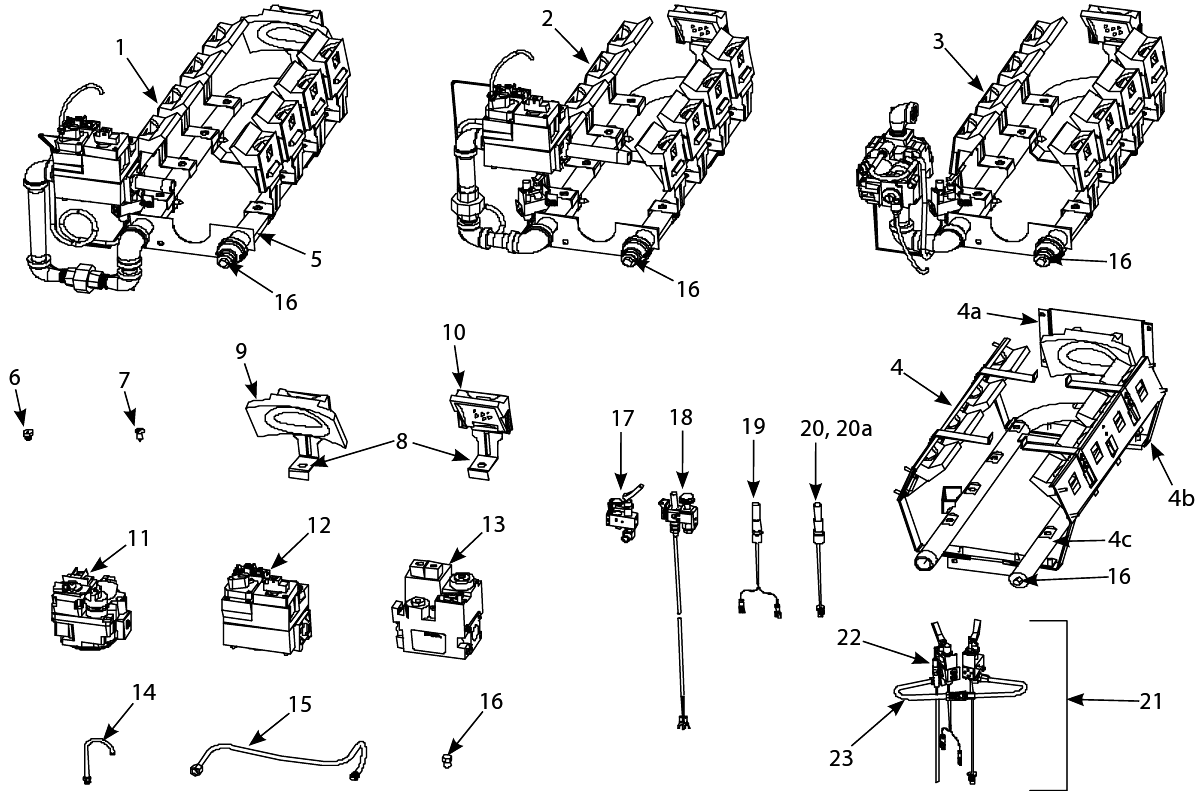
| # | PART # | DESCRIPTION | QTY | Note |
|----|-----------|---|-----|------|
| 1 | 8231111SP | Frypot without Insulation, Stainless Steel, FM35 | 1 | |
| 2 | 8234488SP | Frypot without Insulation, Stainless Steel | 1 | |
| 3 | 8232365SP | Frypot without Insulation, Stainless Steel, MJ35V | 1 | |
| 4 | 8231112 | Frypot without Insulation, Cold Rolled Steel, FM35 | 1 | |
| 5 | 8230980SP | Frypot without Insulation, Cold Rolled Steel, MJ35 | 1 | |
| 6 | 8232364SP | Frypot without Insulation, Cold Rolled Steel, MJ35V | 1 | |
| 7 | 8064080SP | Frypot with Flue and Insulation Installed, Frypot Assy, Stainless Steel, FM35 | 1 | |
| 8 | 8064093SP | Frypot with Flue and Insulation Installed, Frypot Assy, Stainless Steel, FM35 | 1 | [1] |
| 9 | 8063942SP | Frypot with Flue and Insulation Installed, Frypot Assy, Stainless Steel, MJ35 | 1 | |
| 10 | 8067709SP | Frypot with Flue and Insulation Installed, Frypot Assy, Stainless Steel, MJ35V | 1 | |
| 11 | 8064081SP | Frypot with Flue and Insulation Installed, Frypot Assy, Cold Rolled Steel, FM35 | 1 | |
| 12 | 8064092SP | Frypot with Flue and Insulation Installed, Frypot Assy, Cold Rolled Steel, FM35 | 1 | [1] |
| 13 | 8063942SP | Frypot with Flue and Insulation Installed, Frypot Assy, Stainless Steel, MJ35 | 1 | |
| 14 | 8067709SP | Frypot with Flue and Insulation Installed, Frypot Assy, Stainless Steel, MJ35V | 1 | |
| 15 | 8060094 | Flue Assembly with Insulation, MJ35 | 1 | [1] |
| 16 | 8060289SP | Flue Assembly with Insulation, J2XLR | 1 | [1] |
| 17 | 8063490SP | Flue Assembly with Insulation, MJ35 | 1 | [2] |
| 18 | 8064082 | Flue Assembly with Insulation, FM35 | 1 | [3] |
| 19 | 8064094 | Flue Assembly with Insulation, FM35 | 1 | [1] |

PART NOTES:

- [1] - used in Canadian units only
- [2] - has no Rear Deflector Box
- [3] - has Rear Deflector Box

35 Series Gas Fryers

Gas Valves and Burner Components



35 Series Gas Fryers

Gas Valves and Burner Components

| # | PART # | DESCRIPTION | QTY | Note |
|-----|-----------|--|-----|------|
| 1 | 1069793SP | Burner Assembly, Non-CE MJ35, Complete with Gas Valve, Natural Gas | 1 | |
| 1a | 1069794SP | Burner Assembly, Non-CE MJ35, Complete with Gas Valve, Propane Gas | 1 | |
| 2 | 1060238SP | Burner Assembly, Non-CE FM35, Complete with Gas Valve, Natural Gas (G20/G25) | 1 | |
| 2a | 1060239SP | Burner Assembly, Non-CE FM35, Complete with Gas Valve, Propane Gas (G31) | 1 | |
| 3 | 1060237SP | Burner Assembly, Non-CE J2X, Complete with Gas Valve, Natural Gas (G20/G25) | 1 | |
| 3a | 1060236SP | Burner Assembly, Non-CE J2X, Complete with Gas Valve, Propane Gas (G31) | 1 | |
| 4 | 8067222SP | Burner Assembly, CE MJ35, w/o Gas Valve or Piping | 1 | |
| 4a | 9102686 | CE Rear Deflector (Target) Mounting Bracket | 1 | |
| 4b | 8067947 | CE Deflector (Target) Assembly | 1 | [1] |
| 4c | 8232319 | Manifold, CE MJ35 Burner | 1 | |
| 5 | 8261917 | Manifold, Non-CE MJ/FM35 and J2X | 1 | |
| 6 | 8100129 | Burner Orifice, #51, 1.70 mm, Natural, J2X | 1 | |
| 6a | 8100134 | Burner Orifice, #59, 1.05 mm, Propane, J2X | 1 | |
| 7 | 8090170 | Screw - #14 X 0.75" Slotted Pan Head | 1 | |
| 8 | 9101465 | Mounting Bracket - Deflector | 1 | |
| 9 | 8063605SP | Deflector (Target) Assembly, Large Rear | 1 | [2] |
| 10 | 8064720SP | Deflector (Target) Assembly, Side & Small Rear | 1 | [2] |
| 11 | 8261579 | Gas Valve Millivolt Gas Valve, Honeywell, Natural | 1 | |
| 11a | 8261580 | Millivolt Gas Valve, Honeywell, Propane | 1 | |
| 12 | 8071603 | Valve, Honeywell Millivolt Gas, Natural | 1 | |
| 12a | 8071604 | Valve, Honeywell Millivolt Gas, Propane | 1 | |
| 13 | 8067101 | Gas Valves, CE, mV Natural Gas | 1 | |
| 13a | 8067102 | Gas Valves, CE, mV Propane Gas | 1 | |
| 14 | 8100691 | Tube, 0.125-inch Vent | 1 | |
| 15 | 8100703 | Pilot Tubing, Gas Valve to Pilot | 1 | |
| 15a | 8102602 | Gas Line, 0.25-inch x 17.50-inch | 1 | [3] |
| 16 | 8130154 | Plug, 0.125-inch NPT Hex Head Pipe | 1 | |
| 17 | 8100426 | Pilot, Natural Gas | 1 | |
| 17a | 8100427 | Pilot, Propane Gas | 1 | |
| 18 | 8073485 | Thermopile | 1 | [4] |
| 18a | 1061908SP | Pilot Assemblies, Non-CE, Natural Gas with Thermopile (Twin Spade Terminals, 35) | 1 | [5] |
| 18b | 8102007 | Thermopile/Thermocouple, Pilot, Natural Gas, Honeywell | 1 | [5] |
| 18c | 1061909SP | Pilot Assemblies, Non-CE, Pro./But. Gas with Thermopile (Twin Spade Terminals) | 1 | [5] |
| 18d | 8102022 | Thermopile/Thermocouple, Pilot, LP Gas, Honeywell | 1 | [5] |
| 19 | 8101873 | Pilot, Powerpile | 1 | |
| 19a | 8100159 | Thermopile, Split-Lead w/Push-on Terminals | 1 | [6] |
| 20 | 8100617 | Thermopile, Single Screw-in Lead | 1 | |
| 20a | 8100162 | Thermopile, Screw-in with Small Barrel | 1 | |
| 20b | 8100425 | Thermopile, Screw-in with Small Barrel | 1 | [7] |
| 21 | 1060259 | Pilot and Thermopile Assembly, CE Dual, Natural Gas (G20/G25) | 1 | |

35 Series Gas Fryers

Gas Valves and Burner Components

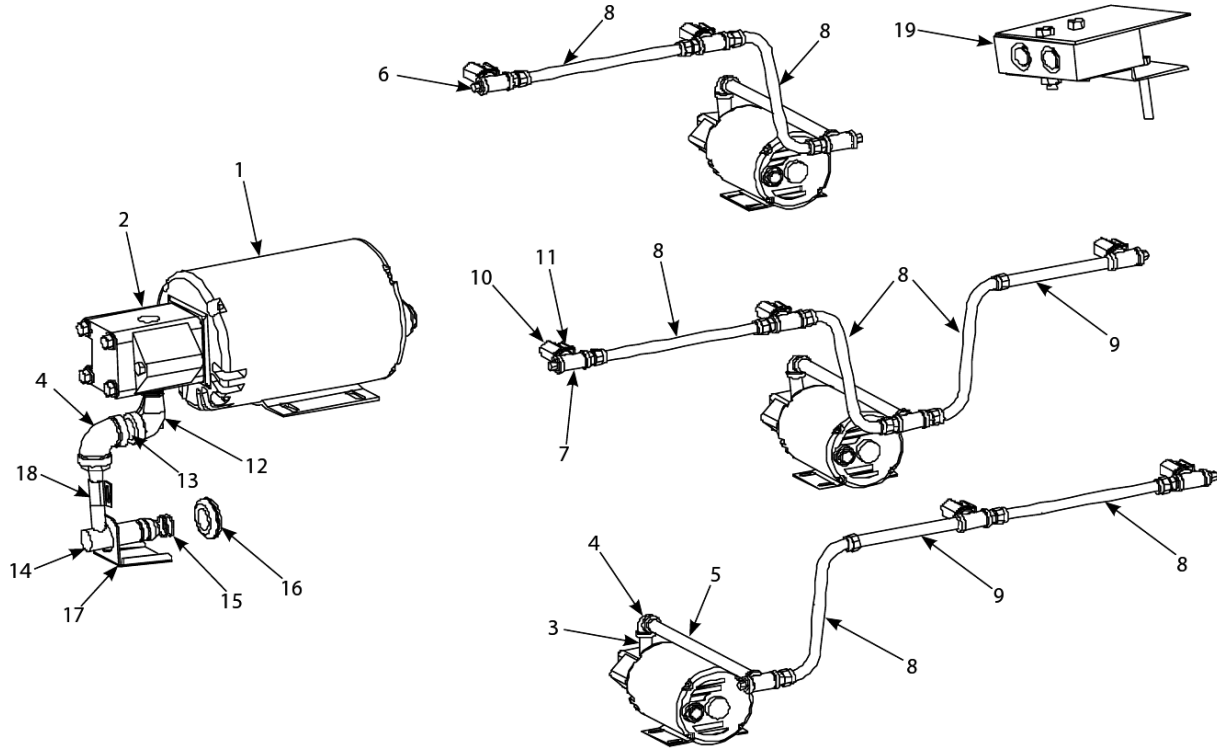
| # | PART # | DESCRIPTION | QTY | Note |
|-----|---------|--|-----|------|
| 21a | 8121284 | Thermocouple | 1 | [8] |
| 21b | 1060260 | Pilot and Thermopile Assembly, Propane Gas (G31) | 1 | |
| 21c | 8121284 | Thermocouple | 1 | [8] |
| 22 | 8071906 | Ignitor Kit, Optional Piezo, Electrode Assembly | 1 | |
| 22a | 8101001 | Trigger, Piezo Ignitor | 1 | [9] |
| 23 | 8101173 | Gas Line, 0.25-inch x 8.5-inch | 1 | |

PART NOTES:

- [1] - Fits either side
- [2] - includes Bracket, Deflector (Target) Mounting
- [3] - for 15.00-inch line
- [4] - for thermopile only
- [5] - for pilot only
- [6] - for fork terminals
- [7] - also requires adapter
- [8] - for thermocouple only
- [9] - trigger is Part Number

35 Series Gas Fryers

Oil Return Plumbing Components



35 Series Gas Fryers

Oil Return Plumbing Components

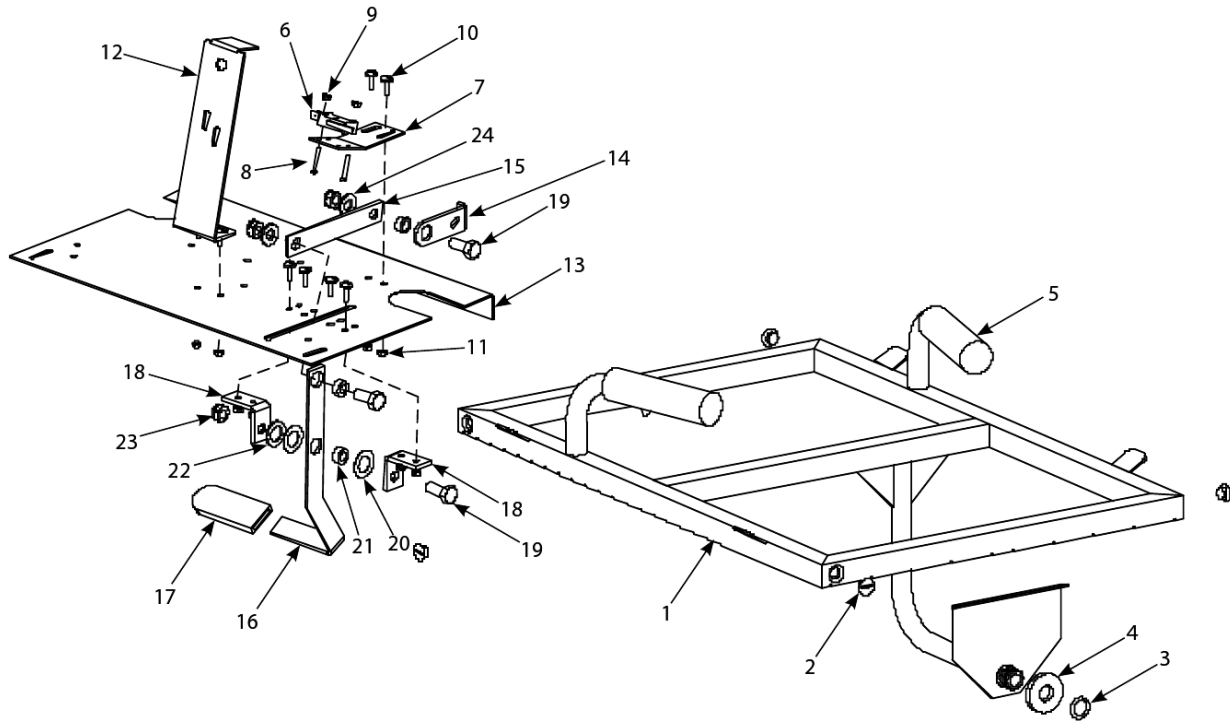
| # | PART # | DESCRIPTION | QTY | Note |
|-----|-------------|--|-----|------|
| 1 | 8261712 | Motor and Gasket Kit - 115V/50-60 Hz | 1 | [1] |
| 1a | 8261756 | Motor and Gasket Kit - 208V/50-60 Hz | 1 | [1] |
| 1b | 8261270 | Motor and Gasket Kit - 220-240V/50-60 Hz | 1 | [1] |
| 1c | 8160093 | Gasket - Pump/Motor | 1 | |
| 1d | 8066728SP | Pump Motor to Filter Box Wiring Assembly | 1 | |
| 2 | 8261264 | Pump Kit - 4 GPM | 1 | [2] |
| 3 | 8130265 | Nipple - 0.5" x 2.5" NP | 1 | |
| 4 | 8130062 | Elbow - 0.5" BM x 90° | 1 | |
| 5 | 8130368 | Nipple, 0.5-inch x 16-inch | 1 | |
| 6 | 8130463-FRY | Plug - 0.5" NPT | 1 | |
| 7 | 8130003-FRY | Tee - 0.5" NPT | 1 | |
| 8 | 8101057 | Flexline - Oil Return - 13" L | 1 | [3] |
| 8a | 8101668 | Male Adaptor - 0.625" OD x 0.5" | 2 | |
| 9 | 8130275 | Nipple, 0.5-inch x 9-inch | 1 | |
| 10 | 8100278 | Valve, 0.5" Ball | 1 | |
| 11 | 2025721 | Handle, Valve | 1 | |
| 11a | 9001853-FRY | Handle, Oil Return | 1 | |
| 12 | 8130165 | Elbow - 0.5" x 90° NPT Street | 1 | |
| 13 | 8130022 | Nipple, 0.5" Close NPT BM | 1 | |
| 14 | 8231356 | Disconnect Fitting Male | 1 | |
| 15 | 8261392 | O-Ring | 5 | |
| 16 | 8160102 | Grommet, Oil Diverter | 1 | |
| 17 | 9001472 | Diverter, Oil | 1 | |
| 18 | 9101627 | Support Bracket - Male Disconnect | 1 | |
| 19 | 8064694SP | Contacto Block Assembly | 1 | |
| 20 | 8130117 | Nipple, 0.75-inch x 3.5-inch | 1 | |
| 21 | 8071600 | Thermal Switch, Baldor Motor, 120VAC | 1 | |
| 22 | 8071601 | Thermal Switch, Baldor Motor, 240VAC | 1 | |
| 23 | 8071598 | Thermal Switch, Magnatek Motor, 120VAC | 1 | |
| 24 | 8071599 | Thermal Switch, Magnatek Motor, 240VAC | 1 | |
| 25 | 1083098 | Wiring Harness - Main Power | 1 | |
| 26 | 8071408 | Heater Strip - 120V/50W - 70" | 1 | |
| 27 | 8072050 | Heater Strip - 250V/90W - 70" | 1 | |
| 28 | 8110746-FRY | Aluminum Tape – 50 yard roll | 1 | [4] |

PART NOTES:

- [1] - includes gasket
- [2] - 15 LPM includes gasket and mounting screws
- [3] - has female ends
- [4] - 2-inch x 50-yard (46m) roll

35 Series Gas Fryers

Power Shower and Oil Return Handle Components



35 Series Gas Fryers

Power Shower and Oil Return Handle Components

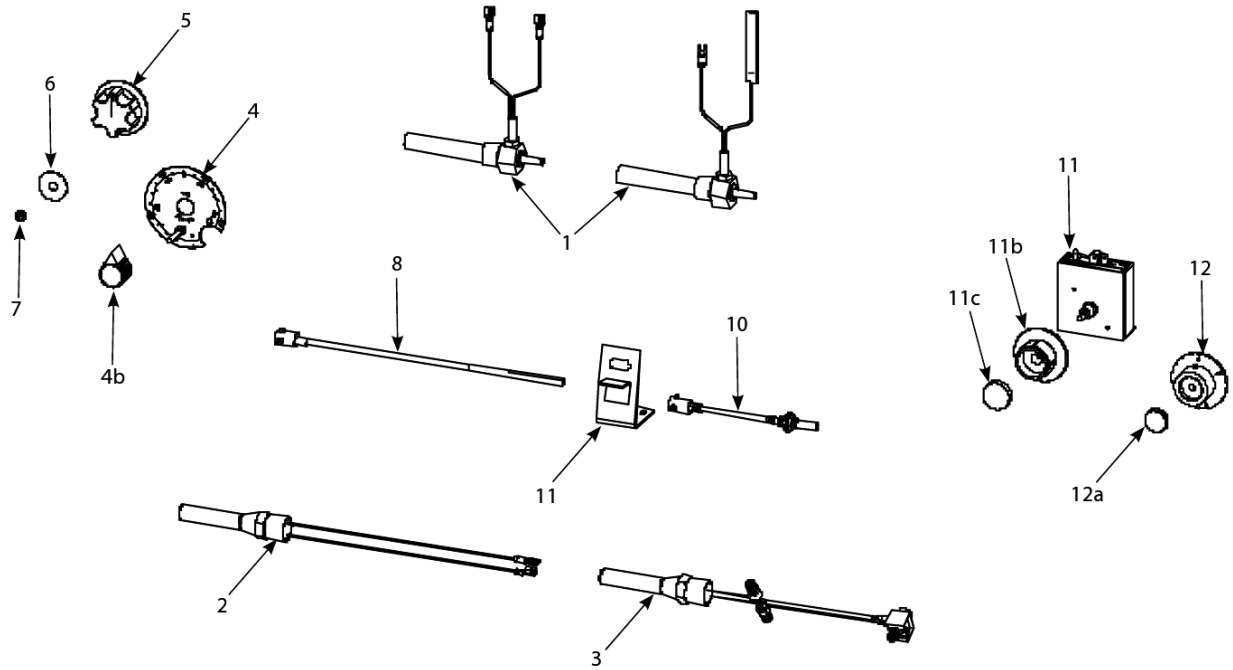
| # | PART # | DESCRIPTION | QTY | Note |
|----|-------------|--|-----|------|
| 1 | 8064542SP | Power Shower | 1 | |
| 2 | 8090415 | Screw, Power Shower Cleanout | 1 | |
| 3 | 8261344 | O-Ring | 5 | |
| 4 | 8261390 | Seal | 5 | |
| 5 | 8140001 | Grip, Power Shower Handle | 1 | |
| 6 | 8072103 | Microswitch | 1 | |
| 7 | 2000821 | Bracket, Handle and Microswitch | 1 | |
| 8 | 8261359 | Screw - #4-40 x 0.75" Slotted Round Head | 25 | |
| 9 | 8261366 | Nut - #4-40 Keps Hex | 25 | |
| 10 | 8261363 | Screw - #8-32 x 0.5" NP | 25 | |
| 11 | 8090050 | Nut, 8-32 Hex | 1 | |
| 12 | 9002129 | Bracket, Thermostat Mounting | 1 | |
| 13 | 9003837 | Shield, FM35 Component | 1 | |
| 14 | 2025721 | Handle, Valve | 1 | |
| 15 | 9200220 | Link, Oil Return Valve | 1 | |
| 16 | 9001853-FRY | Handle, Oil Return | 1 | |
| 17 | 8140047 | Cap, Vinyl Red | 1 | |
| 18 | 8101999 | Bracket, Valve Handle | 1 | |
| 19 | 8090142 | Screw, 0.3125 – 24 x 0.75" Hex Head | 1 | |
| 20 | 8261381 | Washer, Nylatron | 10 | [1] |
| 21 | 8100220 | Spacer, Tubular, .493 OD | 1 | |
| 22 | 8090200 | Washer, Flat | 1 | |
| 23 | 8090056 | Nut - 0.3125"- 24, Hex Head, Nylon Lock | 1 | |
| 24 | 8090194 | Flat Washer - 0.3125" ZP | 1 | |

PART NOTES:

[1] - 2 required – one on each side of Item Spacer

35 Series Gas Fryers

Thermostats, Timer and Related Components



35 Series Gas Fryers

Thermostats, Timer and Related Components

| # | PART # | DESCRIPTION | QTY | Note |
|-----|-----------|---|-----|------|
| 1 | 8060184 | Thermostat Assembly, Operating, w/Two Push-on Terminals, Non-CE | 1 | |
| 1a | 8067972 | Operating thermostat | 1 | |
| 1b | 8065816 | Operating Thermostat Assembly, Fenwall, With One Wire Push-on, One Fork Terminal, 3" (MJ35, Non-CE) | 1 | |
| 2 | 8261177 | Thermostat, High-Limit 425°F/218°C | 1 | [1] |
| 3 | 8067550 | High-Limit Thermostat, 218°C High-limit (CE) | 1 | [2] |
| 4 | 8060087SP | Operating Thermostat Assembly, Fenwall, Thermostat Dial Plate Assembly | 1 | |
| 4a | 8021458 | Replacement Label for Thermostat Dial | 1 | |
| 4b | 8100110 | Thermostat Knob | 1 | |
| 5 | 8100334 | Knob, with Skirt | 1 | |
| 6 | 8261395 | Plug Button | 1 | |
| 7 | 8261338 | Bushing, Heyco- Shaft Button Plug | 1 | |
| 7a | 8261367 | Screw, Dial Plate | 25 | |
| 8 | 8100345 | Shaft, 7.25" Thermostat Flexible Extension | 1 | [3] |
| 9 | 8101651 | Shaft, 5.50" Thermostat Flexible Extension | 1 | [4] |
| 10 | 8231330 | Bracket, MJ35 Thermostat Mounting | 1 | |
| 11 | 8073087 | Basket Lift Timer, 120V, 60 Hz, 15 min. | 1 | [5] |
| 11a | 8262791 | Basket Lift Timer Kit | 1 | [6] |
| 11b | 8101822 | Timer Knob | 1 | |
| 11c | 8101823 | Timer Button | 1 | |
| 12 | 8101733 | Knob, 15-Minute Mechanical Timer | 1 | [7] |
| 12a | 8140033 | Push Button, Replacement Black | 1 | |

PART NOTES:

- [1] - has assortment of terminals
- [2] - has screw-in gas valve adapter
- [3] - 7.25-inch
- [4] - 5.50-inch
- [5] - includes Items 11b and 11c
- [6] - use to replace discontinued mechanical timer
- [7] - used with discontinued mechanical timer