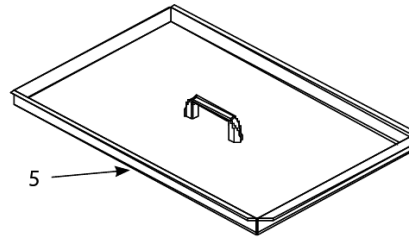
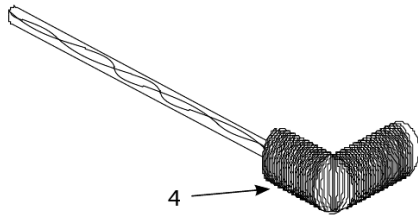
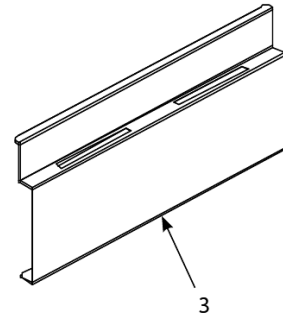
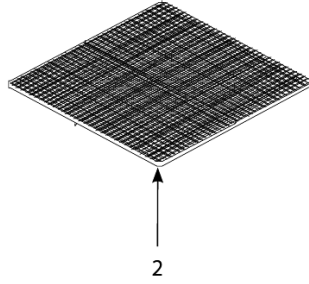
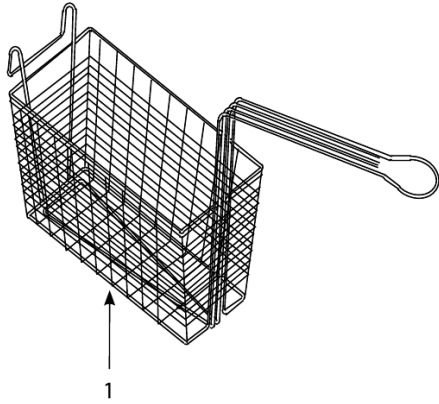


# 80BID Series Gas Fryers

## Accessories



# 80BID Series Gas Fryers

## Accessories

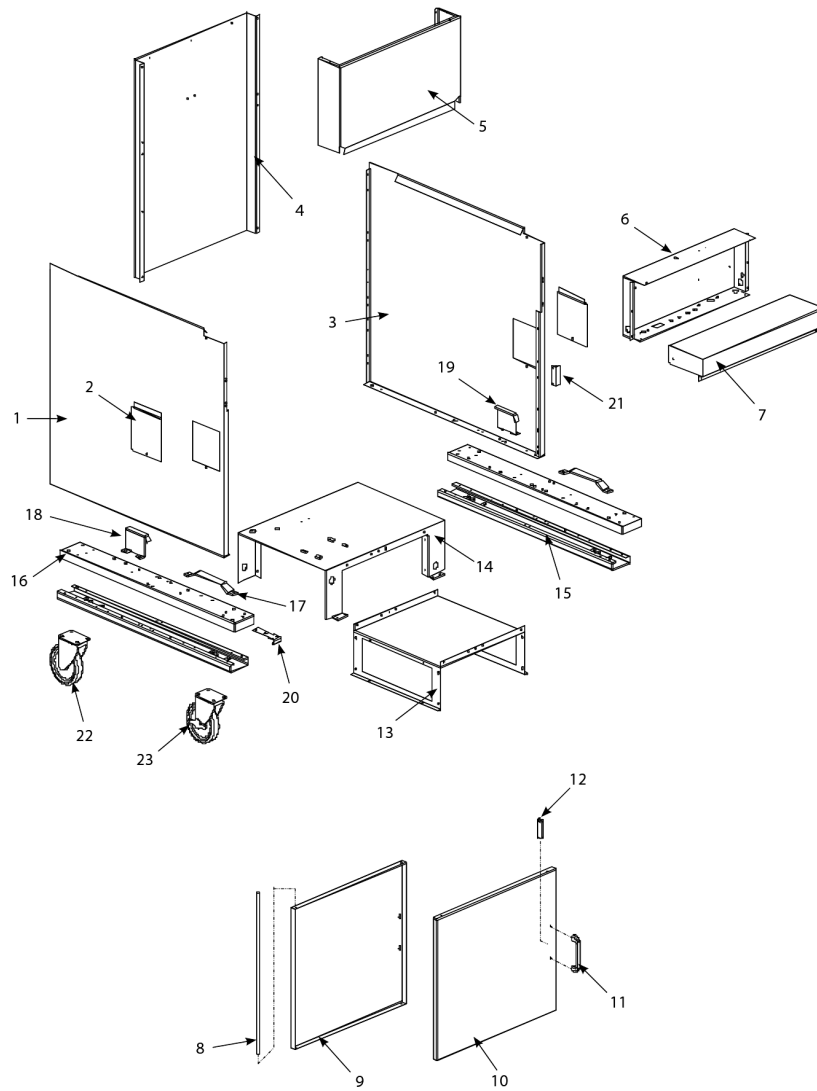
#	PART #	DESCRIPTION	QTY	Note
1	8030301	Basket, Fry- 6 x 8.75 x 16.75	1	[1]
2	8102122	Grid Assembly, Frypot	1	
3	2103458	Basket Hanger, D180	1	
4	8030278	L-shaped Brush	1	
5	1062470SP	Vat Cover, Frypot	1	[1]

**PART NOTES:**

[1] - Optional

# 80BID Series Gas Fryers

## Cabinetry and Related Components



# 80BID Series Gas Fryers

## Cabinetry and Related Components

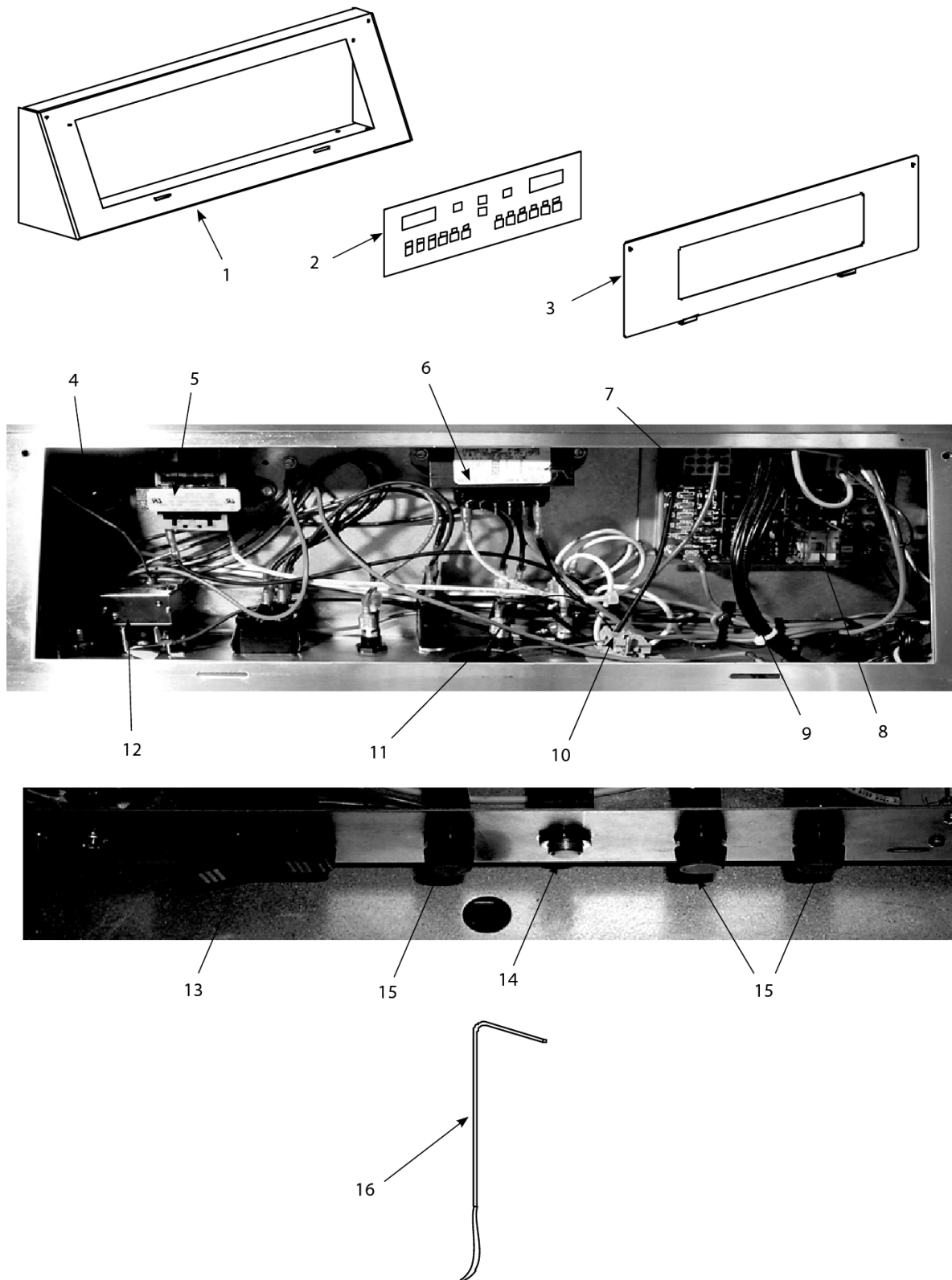
#	PART #	DESCRIPTION	QTY	Note
1	2112532	Side, Cabinet- Left	1	
2	2101365	Duct, Door Access	1	
3	2122532	Side, Cabinet- Right	1	
4	2002683	Back, Cabinet	1	
4a	2001376	Bracket, Restraining	1	
4b	2003635SP	Crossbrace, Cabinet Back, Lower	1	
5	8233512	Flue Cap	1	
6	8240954	Box, Component	1	[1]
7	8240986	Top Cap	1	
8	2001301	Door Pin	1	
9	2002688	Panel, Inner- Door	1	
10	2101151	Panel, Outer- Door	1	
11	8100180	Handle	1	[2]
12	8100066	Magnet	1	
13	2003403	Base, Lower Frame	1	
13a	2003461	Cover, Access- Lower Frame Base	1	[3]
14	8233745	Base, Upper Frame	1	
15	8233724	Channel, Leg Support	1	[4]
16	2003459	Base, Leg Channel	1	
17	2103588	Slide, Front- Filter Pan	1	
18	8233751	Slide, Rear Left- Filter Pan	1	
19	8233752	Slide, Rear Right- Filter Pan	1	
20	2001675	Lower Hinge Bracket	1	
21	2102870	Plate, Door Magnet	1	
22	8100356	Caster without Brake - 5"	1	
23	8100357	Caster with Brake - 5"	1	
24	8100179	Button, Plug	1	
25	8160529	Bumper, Rubber	1	[5]
26	8090193	Flat Washer - 0.25" Nylon	1	[6]

### PART NOTES:

- [1] - Wireway Control
- [2] - With Screws
- [3] - 2 Required
- [4] - Right and Left
- [5] - Self-Adhesive
- [6] - Door Pin

# 80BID Series Gas Fryers

## Computer and Related Components



# 80BID Series Gas Fryers

## Computer and Related Components

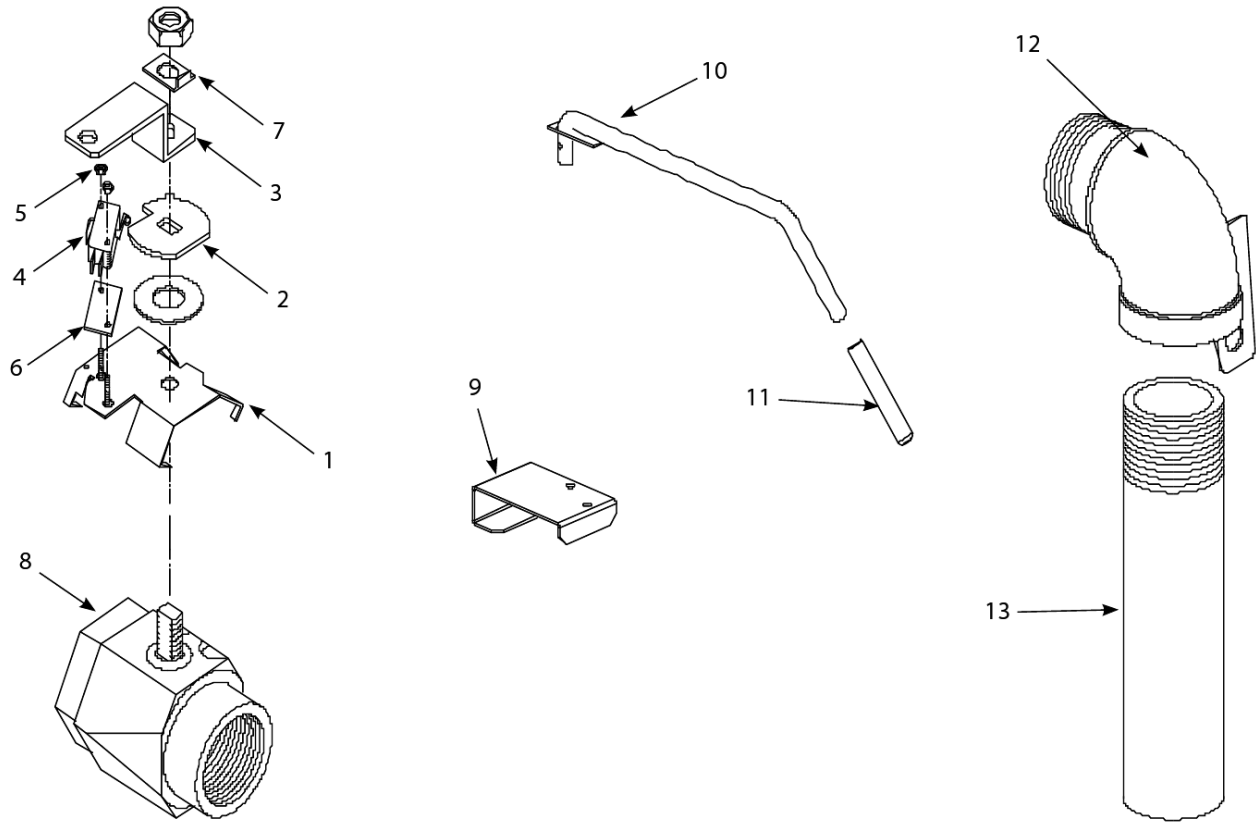
#	PART #	DESCRIPTION	QTY	Note
1	2103463	Panel, Control- BID80	1	
2	8262620	Computer	1	
3	8233433	Bezel, Computer	1	
4	8073611	Relay, 24-Amp	1	[1]
5	8070979	Transformer, 208V/240V/12V	1	
6	8075129	Transformer - Dual Voltage 208-240V	1	
7	8064549	Board, Interface	1	
8	8070833	Relay, DPDT 5A 12VDC Latch	1	[2]
9	8062071	Cable, Computer/Controller to Interface Board	1	
10	8101164	Block, One-Piece Screwless Terminal	1	[3]
10a	8160217	Insulation, Terminal Block Paper	1	
11	8067179	Sound Device	1	
12	8073680	High-limit Thermostat, Manual Reset 450° F	1	
12a	8102046	Spring, Spacer- High Limit Capillary Bulb	1	
13	8073580	Switch, Filter By-pass Rocker	1	
14	8073538	Circuit Breaker - 5 amp	1	
15	8071321	Holder, Fuse	1	
15a	8073592	Fuse, 2A, Slow Blow	1	
16	8262423	Probe Assembly, Temperature	1	
16a	2101386	Clamp, Probe Bulb and High-Limit Bulb	1	
16b	8102164	Spring, Space- Electronic Thermostat Probe	1	
16c	8090448	Clip, Tinnerman	1	[4]
16d	8090360	Screw, 8 x 0.375-inch Hex Washer Slot Head	1	

### PART NOTES:

- [1] - Filter Circuit
- [2] - Latch Relay- Interface Board
- [3] - Power In
- [4] - Sensor Probe and High-Limit Probe Clamp

# 80BID Series Gas Fryers

## Drain Valve Components



# 80BID Series Gas Fryers

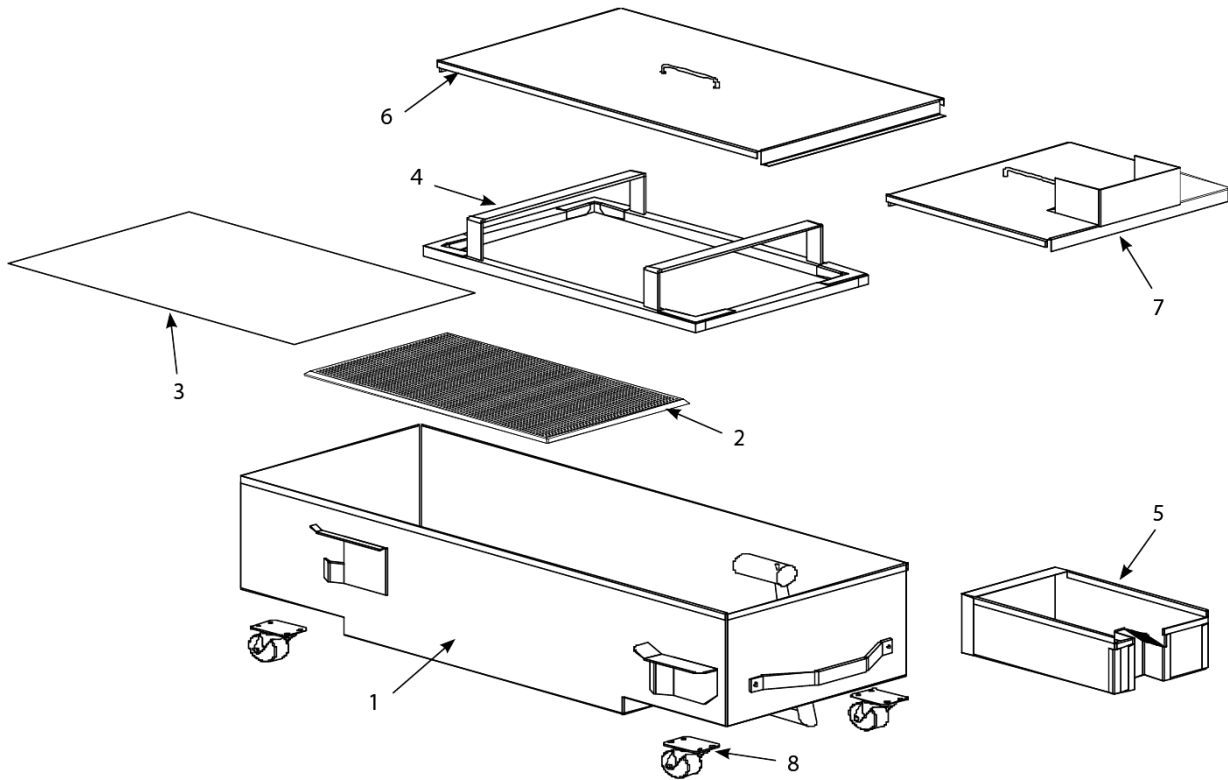
## Drain Valve Components

#	PART #	DESCRIPTION	QTY	Note
1	1061401	Bracket, Microswitch	1	
2	2102029	Drain Valve Components Bracket, Activator- Microswitch	1	
3	2001940	Drain Valve Components Handle (Actuator), Drain Valve	1	
4	8072104	Microswitch	1	
5	8090842	Nut, 4-40 Nylock	1	
6	8160220	Insulation, Microswitch	1	
7	2001257	Retainer, Drain Valve Nut	1	
8	8102127	Drain Valve, 1-0.5" Full Port	1	
9	2001269	Guard, Microswitch	1	
10	8233440	Handle, Drain, Push/Pull	1	
11	8160547	Cap, Vinyl- Red	1	
12	8233747	Elbow/Bracket Assembly, Drain Valve	1	
13	8130784	Drain Pipe, Left Side	1	



# 80BID Series Gas Fryers

## Filter Pan Components



# 80BID Series Gas Fryers

## Filter Pan Components

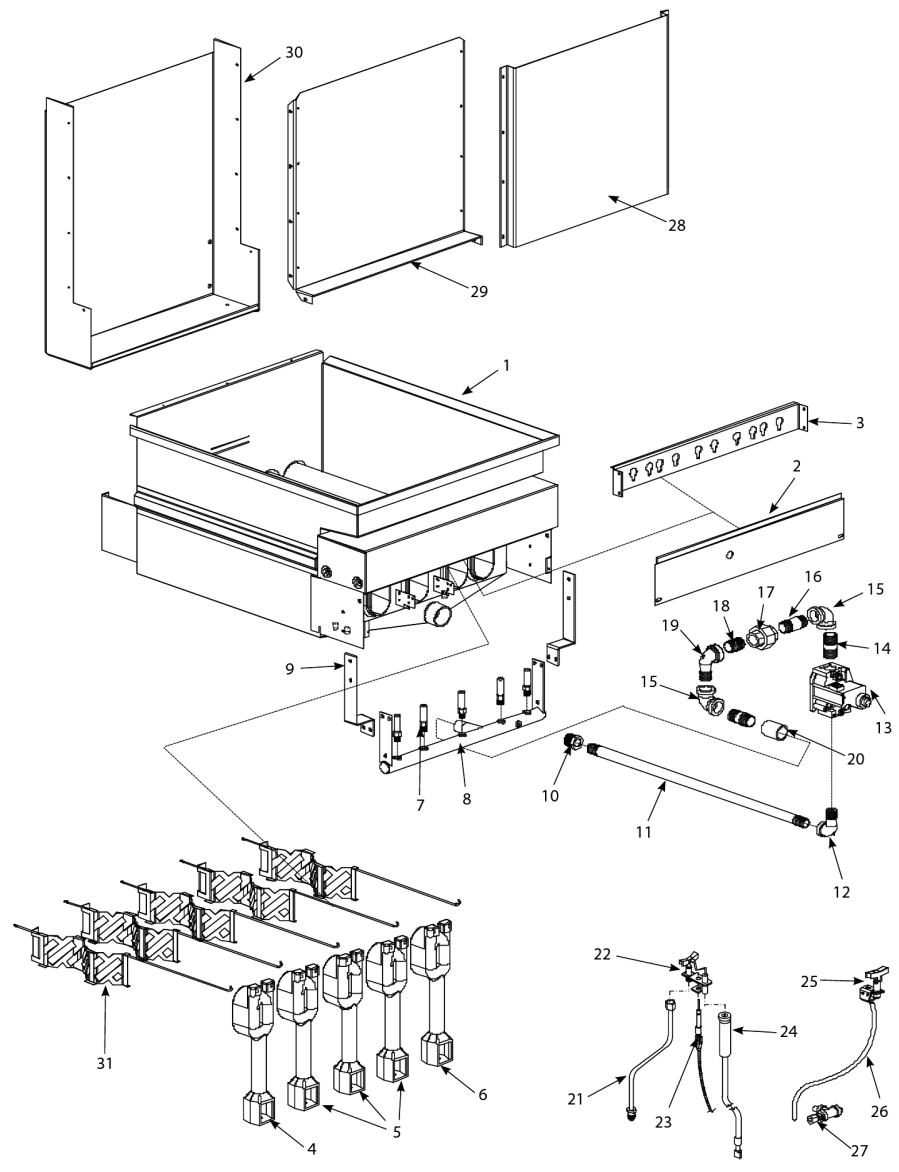
#	PART #	DESCRIPTION	QTY	Note
1	8233750SP	Filter Pan Assembly- BID80 SUFF 80	1	
2	8233748	Grid, Bottom- Filter Pan- BID80 SUFF 80	1	
3	8030289	Filter Paper - 22" x 34"	1	[1]
3a	8030002	Powder, Filter	1	[2]
4	8233742	Ring, Hold-Down (Weighted)- BID80 SUFF 80	1	[3]
5	8235423	Crumb Basket	1	
6	8233741	Filter Pan Cover, Back	1	
7	8233739	Filter Pan Cover, Front	1	
8	8102805	Caster - 2"	1	
9	8130684	Plug, Hex Socket, 0.375" NPT	1	
10	8130679	Plug, 0.125" SS NPT, Sq-Head	1	[4]

**PART NOTES:**

- [1] - 100 Sheets
- [2] - Carton
- [3] - Weighted
- [4] - Female Disconnect

# 80BID Series Gas Fryers

## Frypot, Burners and Related Components



# 80BID Series Gas Fryers

## Frypot, Burners and Related Components

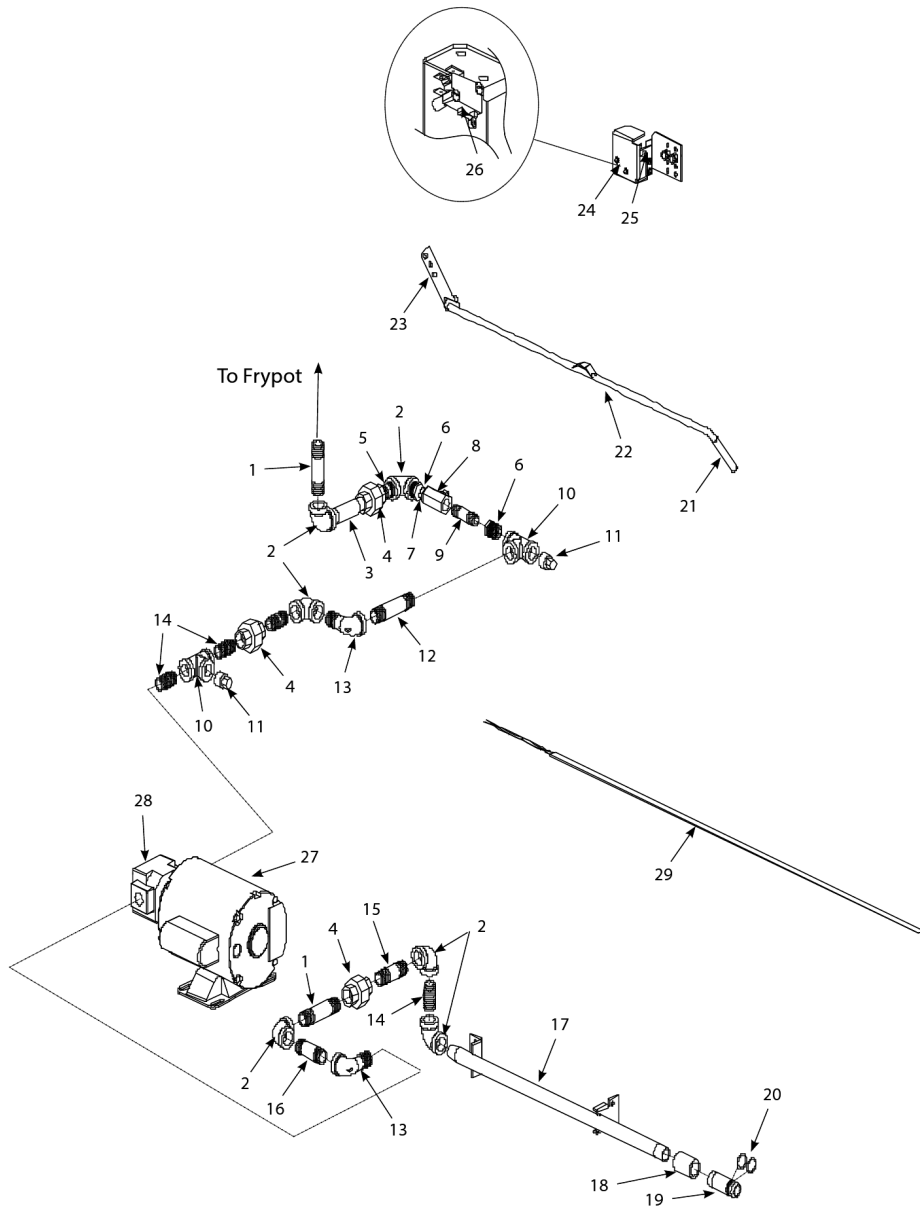
#	PART #	DESCRIPTION	QTY	Note
1	8236595SP	Frypot, SS- 1-0.5" Drain System	1	
2	2002707	Shield, Heat- Front	1	
3	2002734	Bracket, Burner Mounting	1	
4	8102151	Burner, Left	1	
5	8102149	Burner, Center	1	
6	8102150	Burner, Right	1	
7	8102365	Orifice, 1.19 mm (#56) (LP)	1	[1]
8	8102072	Manifold, Gas	1	
9	2001314	Support, Manifold- Left and Right	1	
10	8130031	Bushing, 0.75-inch NPT to 0.5-inch Reducer	1	
11	8130607	Nipple, 0.5 x 23.5" NPT BM	1	
12	8130165	Elbow - 0.5" x 90° NPT Street	1	
13	8073628	Gas Valve, LP, 24V	1	
14	8130112	Nipple, 0.75-inch NPT x 2-inch (5.1 cm)	1	
15	8130066	Elbow, 0.75-inch NPT x 90°	1	
16	8130635	Nipple, 0.75 NPT x 2-0.5" BM	1	
17	8130174	Union, 0.75" NPT BM	1	
18	8130109	Nipple, 0.75-inch NPT Close	1	
19	8130168	Elbow, 0.75-inch NPT x 90° Street	1	
20	8130359	Coupling, 0.75 x 1.62" NPT	1	
21	8100705	Gas Line, Pilot Supply - 0.25 x 20"	1	
22	1081651SP	Pilot Burner, LP, Electronic Ignition	1	
23	8071310	Flame Sensor, Ignitor	1	
24	8071315	Cable, Ignition Module	1	
25	8102155	Pilot Burner, RS (LP)	1	
26	8100703	Pilot Tubing, Gas Valve to Pilot	1	
27	8130887	Valve, Pilot Adjustment - 0.125" NPT x 0.25" CC	1	
28	2001316	Shield, Flue	1	
29	2001347	Front, Flue	1	
30	2001349	Rear, Flue	1	
31	2105177	Diffuser Assembly	1	
32	8090167	Screw, Sheet Metal 10 A x 0.625" B	1	

**PART NOTES:**

[1] - 1.19 mm

# 80BID Series Gas Fryers

## Oil Return Components



# 80BID Series Gas Fryers

## Oil Return Components

#	PART #	DESCRIPTION	QTY	Note
1	8130460	Nipple, 0.5-inch X 3.0-inch NPT	1	
2	8130062	Elbow - 0.5" BM x 90°	1	
3	8130247	Nipple, 0.5 x 3.5" NPT BM	1	
4	8130173	Union, 0.5-inch NPT	1	
5	8130087	Nipple, 0.5-inch NPT x 1.5-inch (3.8 cm)	1	
6	8130006	Bushing, Reducing- 0.5 x 0.375" NPT BM	1	
7	8130625	Nipple, 0.375" x Close NPT BM	1	
8	8102125	Valve, 0.375-inch Oil Return Ball	1	
9	8130644	Nipple, 0.375 x 1.5" NPT BM	1	
10	8130003-FRY	Tee - 0.5" NPT	1	
11	8130463-FRY	Plug - 0.5" NPT	1	
12	8130247	Nipple, 0.5 x 3.5" NPT BM	1	
13	8130165	Elbow - 0.5" x 90° NPT Street	1	
14	8130022	Nipple, 0.5" Close NPT BM	1	
15	8130265	Nipple - 0.5" x 2.5" NP	1	
16	8130661	Nipple, 0.5 x 2.25" NPT BM	1	
17	8233754	Manifold, Suction- Oil Return	1	
18	8130608	Coupling, Full	1	
19	8100697	Disconnect, Male	1	
20	8261392	O-Ring	1	[1]
21	8160548	Cap, Yellow Vinyl Oil Return Handle	1	
22	8233187	Handle, Oil-Return Valve	1	
23	8233344	Handle, Actuator- Oil Return Valve	1	
24	2021233	Bracket, Oil Return Microswitch	1	[2]
25	2001341	Bracket, Oil Return Handle	1	
25a	8261371	Screw - #8 x 0.5" Hex Head ZP	1	[3]
26	8072104	Microswitch	1	
26a	8090846	Screw, 4-40 x 1"	1	
26b	8261366	Nut - #4-40 Keps Hex	1	[3]
27	8102100	Motor, Filter Pump	1	
28	8102252	Pump, 5GPM, Filter	1	
29	8071419	Heater Strip Assembly, 240V, 45W 36"	1	
30	8090885	Washer, 0.375 x 1 x .083" Type A Plain	1	
31	8261389	Screw - 0.25"-20 x 0.75" Hex Head ZP	1	[4]
32	8090823	Nut, Nylock, 0.25-20	1	
33	8090825	Nut, Spacer- Kep 0.25-20 Hex Head SS	1	
34	8102144	Spacer	1	

### PART NOTES:

- [1] - Qty:5
- [2] - RH
- [3] - Qty: 25
- [4] - Qty:10