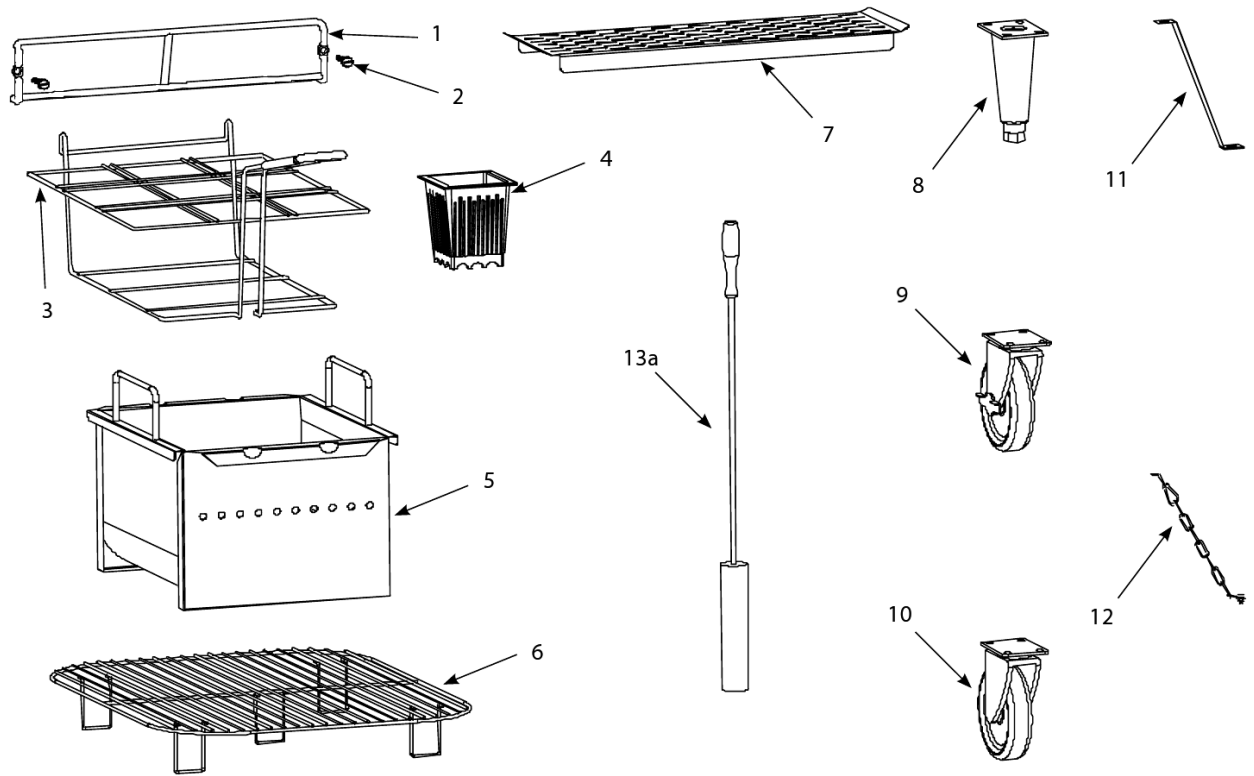


8 Series Electric Cookers Models 8SMS, 8BC, 8C

Accessories



8 Series Electric Cookers Models 8SMS, 8BC, 8C

Accessories

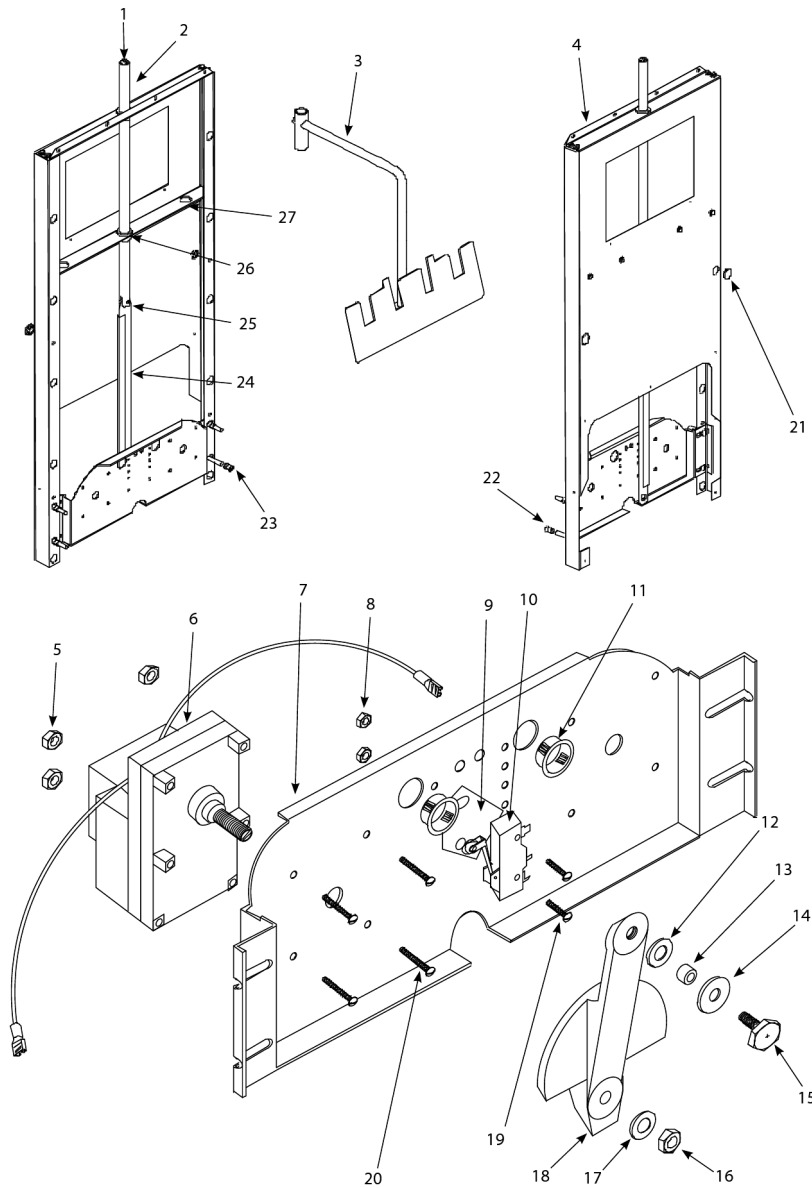
#	PART #	DESCRIPTION	QTY	Note
1	8102112	Basket Hanger, Wire Form	1	
2	8090171	Thumbscrew, 0.25-20 x 1.375-inch	1	
3	8030155	Holder, Portion Cup	1	
4	8030018	Cup, Single Pasta Portion	1	
5	8231662	Basket, Bulk Product	1	
6	8030167	Rack, Basket Support	1	
7	9102545	Strainer	1	
8	8263320	Leg - 4 Pack	1	
9	8100357	Caster with Brake - 5"	1	
10	8100356	Caster without Brake - 5"	1	
10a	8261113	Caster Fastener Kit	1	[1]
11	8261095	Anchor Strap Kit	1	[2]
12	8260900	Kit, Chain Restraint	1	[3]
13a	8030234	Brush, Probe Cleaning	1	
13b	8232608	Connecting Strip, 8SMS	1	

PART NOTES:

- [1] - 1 kit required per leg or caster
- [2] - for use w/Cookers equipped with legs
- [3] - for use w/Cookers equipped with casters

8 Series Electric Cookers Models 8SMS, 8BC, 8C

Basket Lift Components



Basket Lift Components

8 Series Electric Cookers Models 8SMS, 8BC, 8C

Basket Lift Components

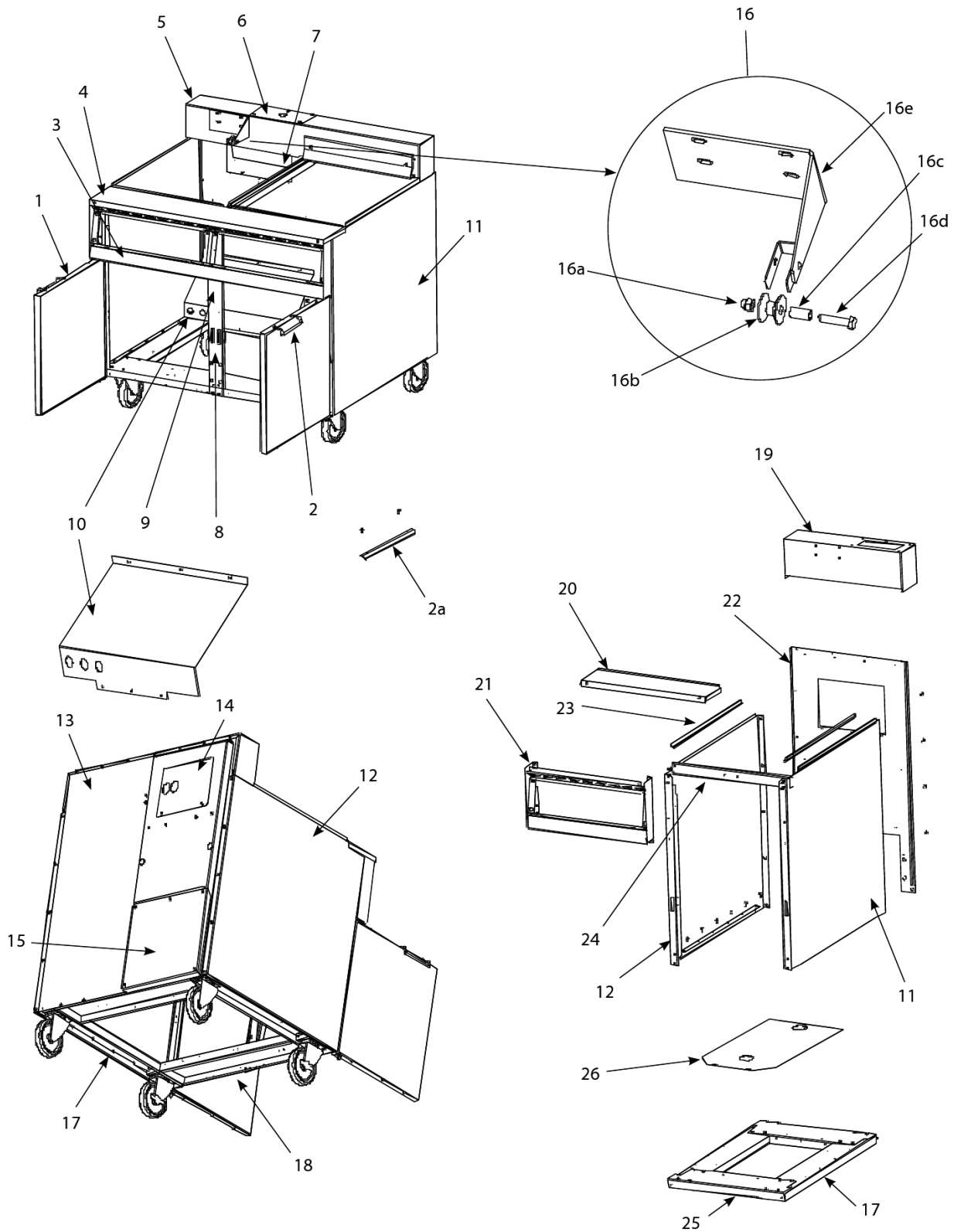
#	PART #	DESCRIPTION	QTY	Note
1	8090127	Screw, 0.25-20 X 0.5-inch Slotted Round Head	1	
2	8100192	Rod, Basket Lift	1	
3	8237060	Arm, Basket Lift	1	
4	9007226	Enclosure, Basket Lift	1	
5	8090050	Nut, 8-32 Hex	1	
6		Motor, Basket Lift	1	
6a	8070107	Motor, Gear	1	
6b	8070108	Gearmotor - Basket Lift - 240V	1	
7	9203095	Mount, Basket Lift Motor	1	
8	8261358	Nut, 6-32 Keps Hex	1	
9	8120138	Insulation, Paper	1	
10	8070240	Microswitch	1	
11	8070124	Bushing, Plastic	1	
12	8090194	Flat Washer - 0.3125" ZP	1	
13	8100220	Spacer, Tubular, .493 OD	1	
14	8261381	Washer, Nylatron	1	
15	8090155	Leveling Screw	1	
16	8090063	Nut, Jam 0.375-16 Hex	1	
17	8090196	Washer, 0.375-inch SAE Flat	1	
18	8100052	Bellcrank and Cam	1	
18a	8090480	Setscrew, 0.25-28 X 0.625-inch Hex Socket Head	1	[1]
19	8090097	Screw, 6-32 X 1-inch Slotted Truss Head	1	
20	8090113	Screw, 2-32 X 1.5-inch Slotted Truss Head	1	
21	8100172	Plug, 0.625-inch Stainless Steel Hole	1	
22	8090076	Nut, 0.25-20 x 0.75 Expansion	1	
23	8261370	Screw, 0.25-20 X 1.25-inch Slotted Round Head	1	
24	9203190	Link, Basket Lift	1	
25	8100170	Pin, Connecting	1	
26	8130035	Bushing , Oiltite .640 I.D.	1	
26a	8090082	Ring, Bushing Retainer	1	[2]
27	9004266	Angle, Bushing Support	1	

PART NOTES:

- [1] - secures Bellcrank to motor shaft
- [2] - secures bronze bushing 813-0035 in place

8 Series Electric Cookers Models 8SMS, 8BC, 8C

Cabinetry



Cabinetry

FRY_P_0000_10_14_Cabinetry.pdf

8 Series Electric Cookers Models 8SMS, 8BC, 8C

Cabinetry

#	PART #	DESCRIPTION	QTY	Note
1	8069744SP	Door Assembly	1	[1]
2	8101402	Handle, Wireform Door	1	[2]
2a	2109214	Two and Three Station Fryers, Handle, Door	1	[3]
2b	8090266	Screw, 10 x 0.5-inch Phillips Head ZP	1	
2c	8101508	Hinge, Universal Door	1	
2d	1064067SP	Door Pin Assembly	1	
2e	8261343	Spring - Door Pin Hinge	1	
3	8064735SP	Frame Assembly, 8SMS Control Panel	1	
3a	9104308	Blank Control Panel	1	[4]
4	9107205	Top Cap, 8SMS	1	
5	8232609	Flue Cap, 8SMS	1	
6	9100207	Plate, Faucet Mounting	1	[5]
7	9007202	Divider, 8SMS Cabinet	1	
8	8101105	Door Magnet - Vertical	1	
9	9007198	Post, Door	1	
10	9004334	Shield, 8SMS Basket Lift Motor	1	
11		Side, Right	1	[5]
11a	9027167SP	Painted Steel	1	
11b	9127167SP	Stainless Steel	1	
12		Side, Left	1	[5]
12a	9017167SP	Painted Steel	1	
12b	9117167SP	Stainless Steel	1	
13	9007201SP	Panel, 8SMS Cabinet Back	1	
14	9004766	Panel, Basket Lift Upper Access	1	[5]
15	9004351	Panel, Basket Lift Lower Access	1	[5]
15a	9007199SP	Brace, 8SMS Cabinet Top	1	
15b	9001536	Bracket, Top Half Pot Hold Down	1	[5]
15c	9001537	Bracket, Pot Hold Down Bottom	1	[5]
16	8065067SP	Guide Assembly, Basket Lift	1	[5]
16a	8090047	Nut, Cap- 0.25-20 High Profile S/S	1	
16b	8100194	Roller, Basket Lift	1	
16c	8100374	Spacer, Basket Lift Roller	1	
16d	8090508	Bolt - 0.25-20 x 1.25"	1	
16e	8231803	Bracket	1	
17	9007156SP	Channel, Base Side	1	[5]
18	9007200-FRY	Channel, Front or Rear Base	1	
18a	8065209SP	Leg Pad	1	[5]
19	8231714	Flue Cap, 8BC/8C	1	
20	9101514	Top Cap	1	
21	8064725SP	Frame, 8BC/8C Control Panel	1	
22	9007155	Panel, 8BC/8C Cabinet Back	1	
23	9007277	Support, Drain Pan	1	[5]
24	9004279SP	Brace, 8BC/8C Cabinet Top	1	
25	9004280	Channel, 8BC/8C Base Front and Rear	1	
26	9007848	Shield, 8BC/8C Vapor	1	

Cabinetry

8 Series Electric Cookers Models 8SMS, 8BC, 8C

Cabinetry

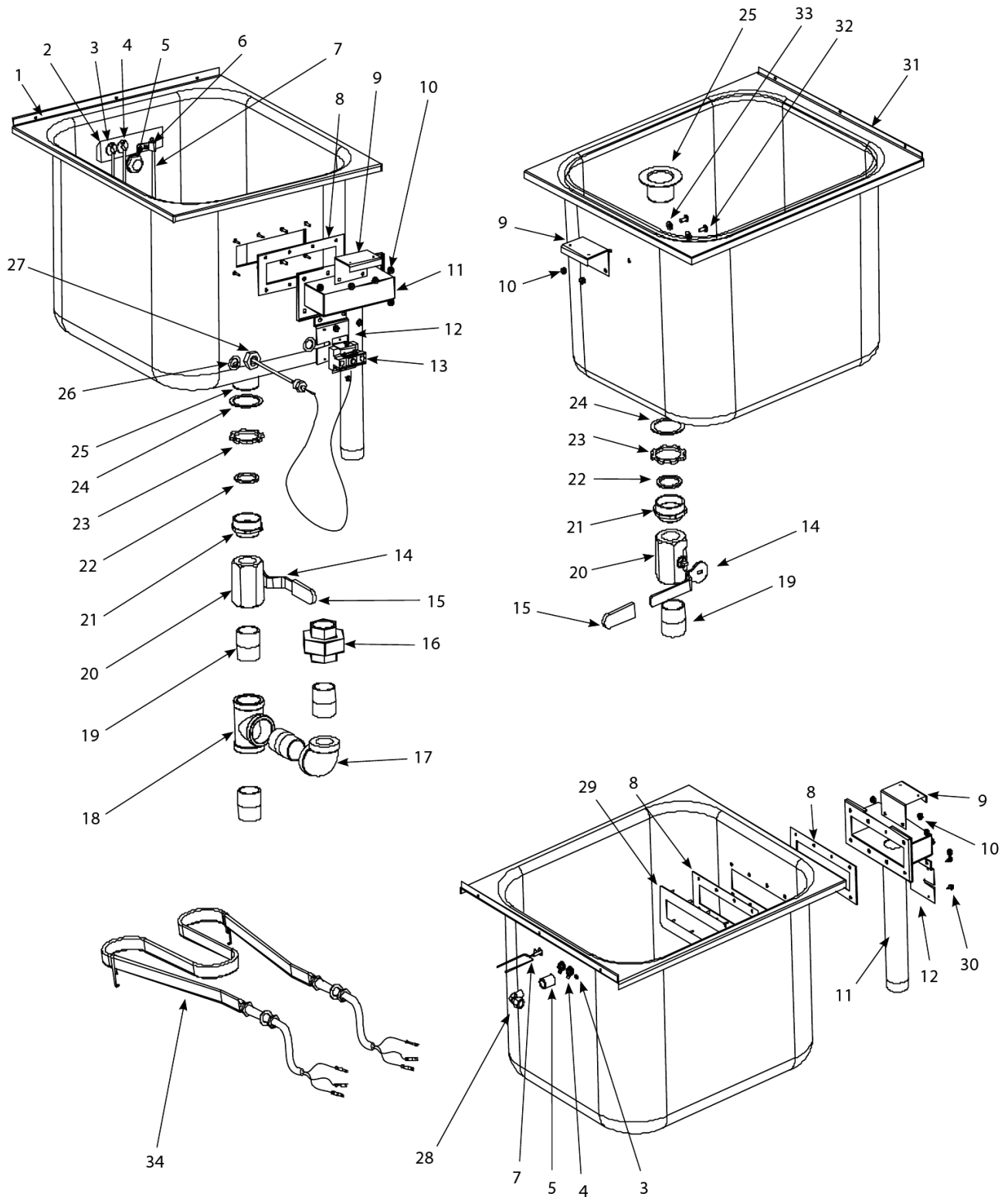
#	PART #	DESCRIPTION	QTY	Note
---	--------	-------------	-----	------

PART NOTES:

- [1] - does not include handles
- [2] - cannot replace 2109214
- [3] - cannot replace 8101402
- [4] - used on rinse tank side of 8SMS
- [5] - all models

8 Series Electric Cookers Models 8SMS, 8BC, 8C

Cookpot and Rinse Tank Components



Cookpot and Rinse Tank Components

8 Series Electric Cookers Models 8SMS, 8BC, 8C

Cookpot and Rinse Tank Components

#	PART #	DESCRIPTION	QTY	Note
1	8237044SP	Cookpot Assembly	1	
2	8101697	Block, Probe	1	[1]
2a	8261081	Probe Block Assembly, Complete, Flat top w/pins, for use on units with Autofill option.	1	[2]
2b	8232791	Cover, Probe Block	1	[1]
2c	8231942	Cover, Probe Block	1	[3]
3	8231920	Sensor, Low Water Level	1	[4]
4	8231921	Sensor, Normal Water Level	1	[5]
4a	8090193	Flat Washer - 0.25" Nylon	1	[6]
4b	8261337	Tab, 0.25-inch Terminal	1	[6]
5	8100713	Nozzle,spray	1	
6	9101804	Bracket - Probe Retainer	1	
6a	8090357	Screw, 6 x 0.375-inch Phillips Head NP	1	[7]
7	8064764	Probe Assembly, Temperature	1	[8]
8	8160113	Gasket, Overflow Drain	1	
9	9001537	Bracket, Pot Hold Down Bottom	1	
10	8261376	Nut - #10-32 Keps Hex	1	
11	8231711	Drain, Overflow	1	
12	9005675	Bracket, High-Limit Thermostat Mounting	1	
13	8261601	Thermostat, high limit	1	[9]
13a	8090567	Tie-Wrap - Metal	1	[10]
14	2100151	Handle, SS Drain Valve	1	
15	8140047	Cap, Vinyl Red	1	[11]
16	8130395	Union, 1.25-inch NPT	1	
17	8130070	Elbow, 1.25-inch X 90°	1	
18	8130394	Tee, 1.25-inch NPT BM	1	
19	8130391-FRY	Nipple - 1.25" x Close NPT	1	
20	8101825	Valve, 1.25-inch x 1.25-inch SS Drain	1	
21	8130397	Reducer, 1.5-inch Sink to 1.25-inch NPT	1	
22	8160221	Washer, 1.75-inch Sink	1	
23	8090464	Nut, 1.5-inch Conduit	1	
24	8090465	Washer, Sink Drain	1	
25	8130396	Drain, 1.5-inch Sink	1	[12]
26	8090204	Washer, Teflon	1	
27	8090444	Nut, 0.75-10 Hex Head Jam	1	
28	8130302	Elbow, 0.25-inch Male NPT to 0.375-inch Tube 90°	1	
29	8231657	Fascia, Overflow Drain	1	
30	8090360	Screw, 8 x 0.375-inch Hex Washer Slot Head	1	
31	8100699	Tank, Rinse	1	
32	8090270	Screw, 10-32 x 0.5-inch Phillips Head ZP	1	
33	8090192	Washer, 0.25-inch Star	1	
34		Element, 8kW, 1- or 3-Ø	1	[13]
34a	8261795	Element 208VAC	1	
34b	8261797	Element 230VAC	1	
34c	8261798	Element,240v 8000 watts 3p	1	
34d	8071729	Element 480VAC	1	[14]

Cookpot and Rinse Tank Components

8 Series Electric Cookers Models 8SMS, 8BC, 8C

Cookpot and Rinse Tank Components

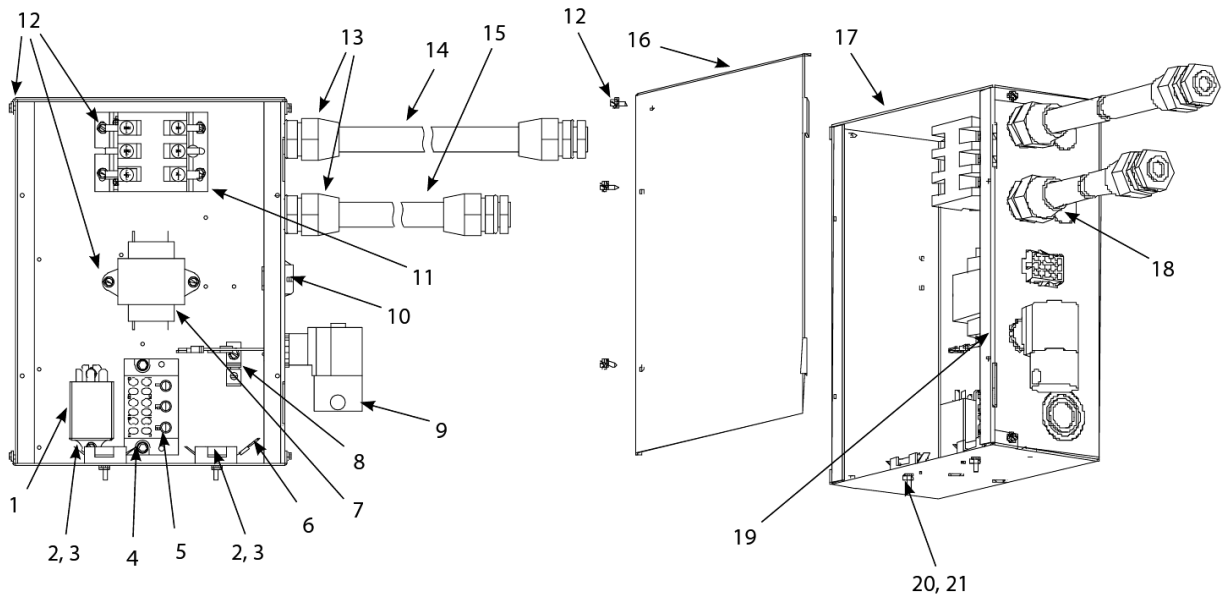
#	PART #	DESCRIPTION	QTY	Note
---	--------	-------------	-----	------

PART NOTES:

- | | | | | |
|------|---|--|--|--|
| [1] | - | angled top | | |
| [2] | - | old style with pins and cover | | |
| [3] | - | flat-topped block
old style with holes for pins | | |
| [4] | - | approximately 7 inches long | | |
| [5] | - | approximately 4.25 inches long | | |
| [6] | - | used on water level sensors | | |
| [7] | - | used to secure sensors and probe bracket in place | | |
| [8] | - | with connectors | | |
| [9] | - | includes high-limit, gasket, and tie wrap | | |
| [10] | - | secures Hi-Limit Thermostat to Element | | |
| [11] | - | with logo | | |
| [12] | - | includes item 23 | | |
| [13] | - | includes mounting washer and nut and standoff | | |
| [14] | - | requires two teflon washers, 8090204 | | |

8 Series Electric Cookers Models 8SMS, 8BC, 8C

Electrical Components and Controllers



8 Series Electric Cookers Models 8SMS, 8BC, 8C

Electrical Components and Controllers

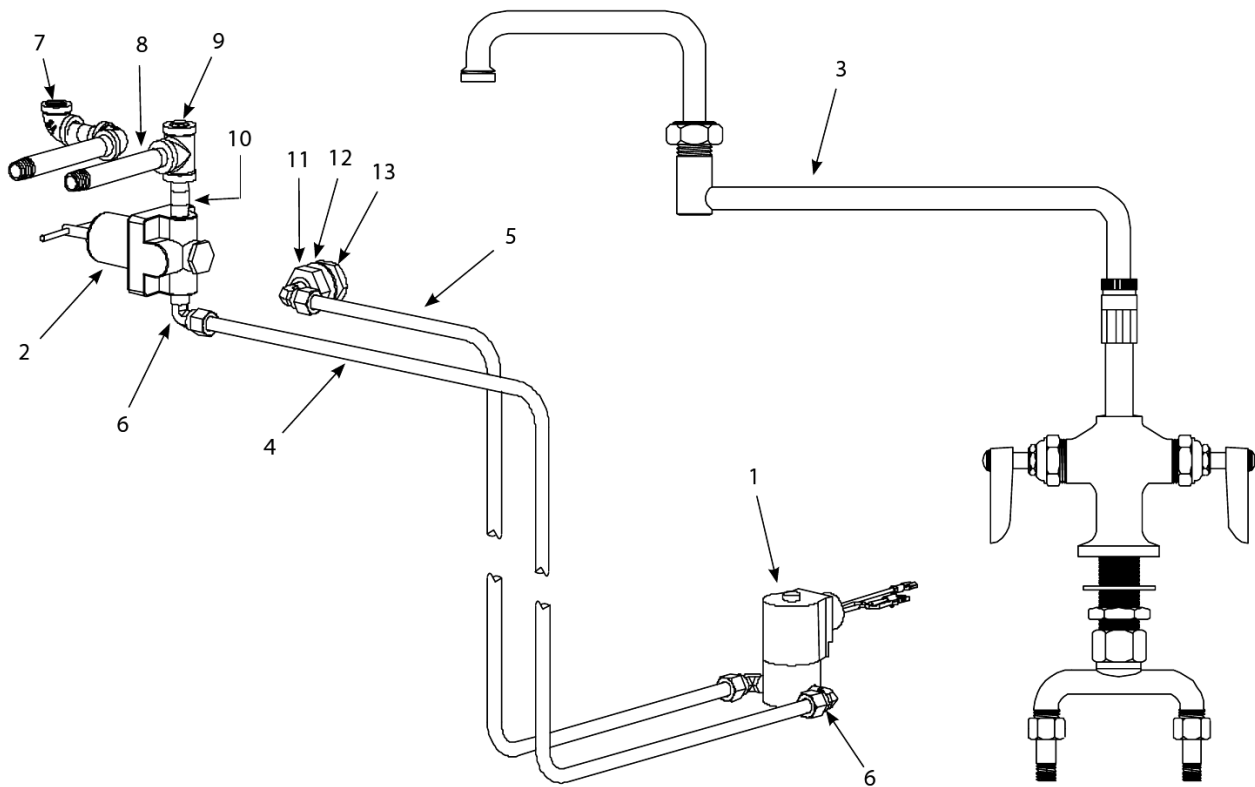
#	PART #	DESCRIPTION	QTY	Note
1	8071396	Relay, 24VDC SPDT	1	
2	8071308	Holder, Fuse	1	
3	8071555	Fuse 5 Amp	1	
4	8090362	Screw, 8 x 1.25-inch Hex Washer Head Drill Point	1	
5	8070878	Block, Terminal 3 Lug 12 P	1	
6	8070263	Terminal, Split	1	
7	8070680	Transformer, 208V, 50/60Hz -24V 20VA	1	
8	8070070	Terminal, Ground Lug	1	
9	8064770	Solenoid Assembly, Autofill	1	
10	8070875	15-Pin Female	1	
11	8101202	Contactor, 24V 40 Amp Mechanical	1	
12	8261371	Screw - #8 x 0.5" Hex Head ZP	1	
13	8071292	Fitting, Plastic Conduit	1	
14	8120994SP	Conduit, 0.5-inch Plastic	1	[1]
15	8120992SP	Conduit, 0.5-inch Plastic	1	[2]
16	9007853	Cover, contactor box	1	
17	8231820	Box, Component	1	
18	8100044	Plug, .875 Button	1	
19	8090454	Nut, 0.5-inch Conduit	1	
20	8090096	Screw, 6-32 x 0.625-inch Slot Head	1	
21	8090250	Nut, 6-32 Keps Hex	1	
22	8065332	Cord, Electrical Power	1	[3]
23	WIR0013SP	Wire Assembly, 8SMS Contactor Box	1	
24	8064702	Cable, 8SMS Controller	1	
25		Controller, 8SMS	1	
25a	1060371	CE and non-CE with AutoFill and AutoSkim	1	
25b	1060373	CE and Non-CE with AutoFill but without AutoSkim	1	
25c	1060374	CE and Non-CE without Autofill or Autoskim	1	

PART NOTES:

- [1] - 17 inches long
- [2] - 15 inches long
- [3] - used with 480VAC – 120VAC dual-voltage units only

8 Series Electric Cookers Models 8SMS, 8BC, 8C

Water Supply Components



8 Series Electric Cookers Models 8SMS, 8BC, 8C

Water Supply Components

#	PART #	DESCRIPTION	QTY	Note
1	8064770	Solenoid Assembly, Autofill	1	
2	8101208	Valve, Pressure Regulator	1	
3	8130412	Faucet, Double-Jointed Pantry	1	
3a	8261132	Kit, Faucet Repair	1	[1]
4	2203136	Tube, Copper Water Supply	1	
5	2203137	Tube, Stainless Steel Autofill	1	
6	8130302	Elbow, 0.25-inch Male NPT to 0.375-inch Tube 90°	1	[2]
7	8130448	Elbow, 0.25-inch NPT Brass	1	
8	8130473-FRY	Nipple, 0.25-inch NPT x 4.0-inch Brass	1	
9	8130449	Tee, 0.25 -inch NPT Brass	1	
10	8130471	Nipple, 0.25-inch NPT x 1.5-inch	1	
11	8090444	Nut, 0.75-10 Hex Head Jam	1	
12	8160114	Gasket, Spray Nozzle	1	
13	8100713	Nozzle,spray	1	
14	8261135	Kit, Non-Autofill to Autofill Conversion	1	

PART NOTES:

- [1] - contains two valve assemblies
- [2] - w/Compression Nut