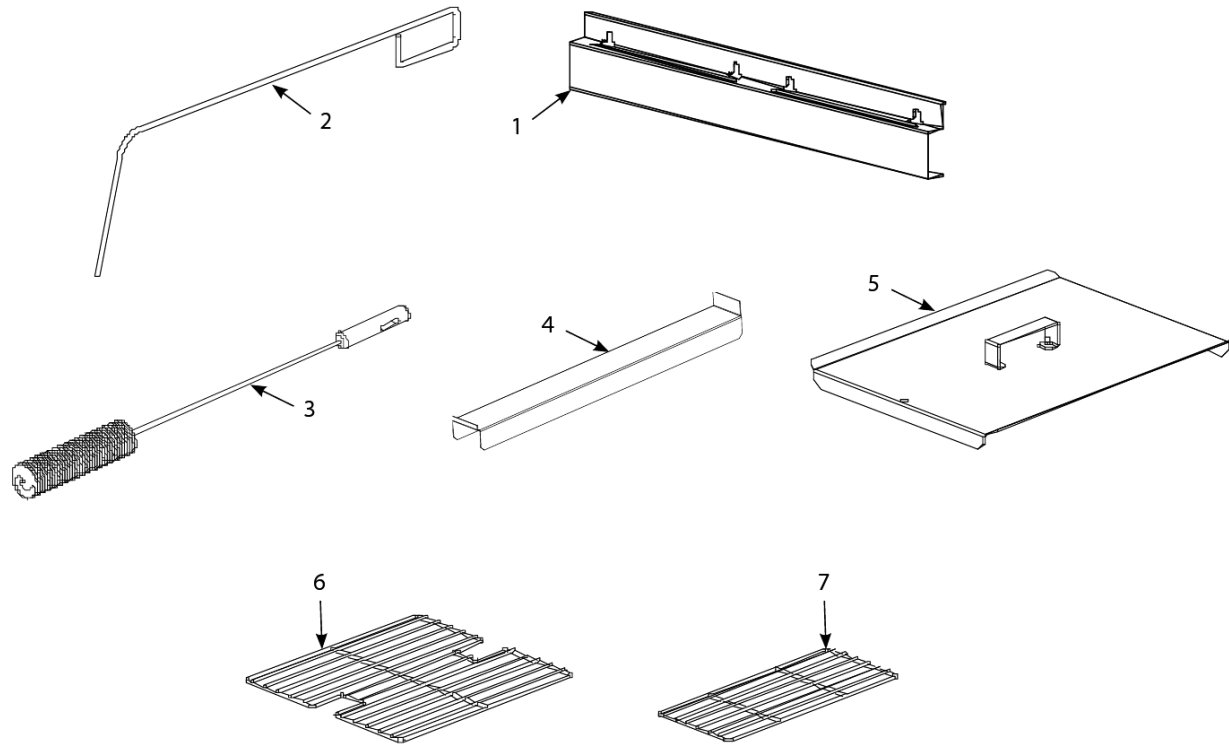


BIEL14 Manual LOV Series Electric Fryers

Accessories



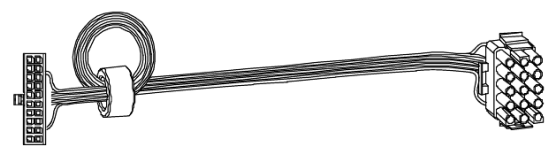
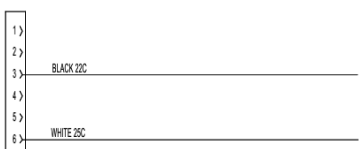
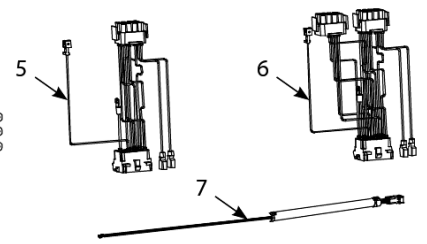
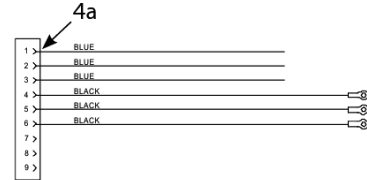
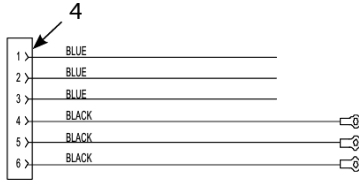
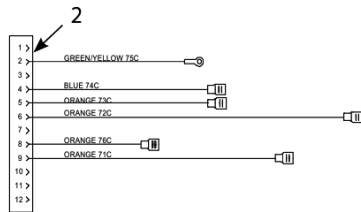
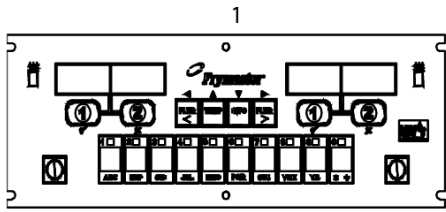
BIEL14 Manual LOV Series Electric Fryers

Accessories

#	PART #	DESCRIPTION	QTY	Note
1	2307495	Hanger, Basket Two Station	1	
1a	2307497	Hanger, Basket Three Station	1	
2	8030197	Fryer's Friend	1	
3	8030398	Frypot Brush	1	
4	8237263	Connecting Strip, Frypot	1	
5	1068325	Cover, Full-Vat Frypot	1	
5a	1068329	Cover, Dual-Vat Frypot	1	
6	8030132	Rack, Full-Vat Basket Support	1	
7	8030136	Basket Support Screen, Full Vat	1	

BIEL14 Manual LOV Series Electric Fryers

Controllers and Wiring



BIEL14 Manual LOV Series Electric Fryers

Controllers and Wiring

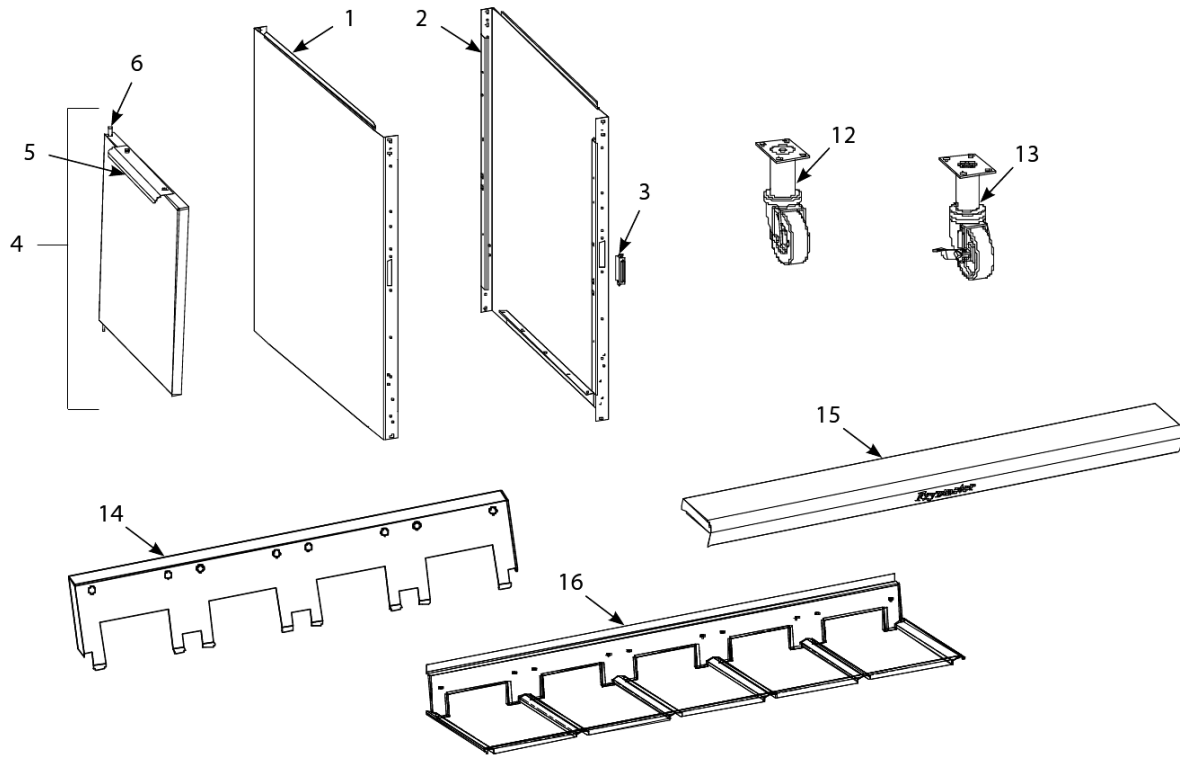
#	PART #	DESCRIPTION	QTY	Note
1	1084351	Replacement M3000 Manual LOV Controller	1	[1]
2	1065980SP	Contactor Box Harness Assembly Dual Vat	1	
3	1066031SP	Contactor Box Wiring Assemblies – 12-Pin Full-Vat C-1, Contactor Box Harness Assembly Full Vat Standard EPRI	1	
4	1068744SP	6-Pin, 14/17 kW Mechanical Contactor	1	
4a	1068745SP	9-Pin, 14/17 kW Mechanical Contactor	1	
5	1065750SP	Full Vat Control Harness J4 to J2	1	[2]
6	1065751SP	Dual Vat Control Harness J4 to J1 and J2	1	[2]
7	1080490SP	Filter Pump C2 to Component Box Wiring Harness	1	
8	8074546	Controller Communication	1	[3]
8a	8074573	Controller Locator Wire	1	[4]
9	8074552	Communications Terminator	1	[5]
10	8074660PK	SMT Pin Service Repair Kit	1	[1]
10a	2302345	SMT Pin Extractor	1	[1]

PART NOTES:

- [1] - Recommended Stock Part
- [2] - Standard
- [3] - used from Controller to Controller
- [4] - used from Controller to Interface Board
- [5] - used on Controller pin J6 to terminate network

BIEL14 Manual LOV Series Electric Fryers

Doors, Sides, Tilt Housings, Top Caps and Casters



Doors, Sides, Tilt Housings, Top Caps and Casters

BIEL14 Manual LOV Series Electric Fryers

Doors, Sides, Tilt Housings, Top Caps and Casters

#	PART #	DESCRIPTION	QTY	Note
1	2310323SP	Side, Standard Cabinet Left SS	1	
2	2320323SP	Side, Standard Cabinet Right SS	1	
3	8101105	Door Magnet - Vertical	1	[1]
3a	8102346	Door Magnet - Horizontal	1	[2]
4	1064397	Door - Left/Right	1	[3]
5	2304960	Handle, Eurolook Door	1	
6	1064067SP	Door Pin Assembly	1	
7	8261343	Spring - Door Pin Hinge	1	
8	8090970	Retaining Ring	1	
9	2307192	Hinge, Door Lower	1	
10	2108288	Panel, Universal Door	1	
11	2206097	Holder, Manual	1	
12	8100327	Caster 4" without Brake	1	
13	8100944	Caster 3" with Brake	1	
14	8237891	Tilt Housing, Two Station, S/S	1	
14a	1080131	Tilt Housing, Two Station, S/S	1	[4]
14b	9102441	Tilt Housing, Two Station, S/S	1	[5]
14c	8237892	Tilt Housing, Three Station, S/S	1	
14d	1080132	Tilt Housing, Three Station, S/S	1	[4]
14e	9102440	Tilt Housing, Three Station, S/S	1	[5]
14f	8237893	Tilt Housing, Four Station, S/S	1	
14g	1080133	Tilt Housing, Four Station, S/S	1	[4]
14h	9102439	Tilt Housing, Four Station, S/S	1	[5]
14i	8236243	Tilt Housing, Five Station, S/S	1	
14j	1080138	Tilt Housing, Five Station, S/S	1	[4]
14k	9109447	Tilt Housing, Five Station, S/S	1	[5]
15	1067835	Top Cap Two Station	1	
15a	8090078	10-32 Nutserts	1	
15b	1065979	Top Cap Three Station	1	
15c	1067576	Top Cap Four Station	1	
15d	1067841	Top Cap, Five Station	1	
16	8236420	Cap-N-Splash, Two Station	1	
16a	8236421	Cap-N-Splash, Three Station	1	
16b	8236422	Cap-N-Splash, Four Station	1	
16c	8236887	Cap-N-Splash, Five Station	1	

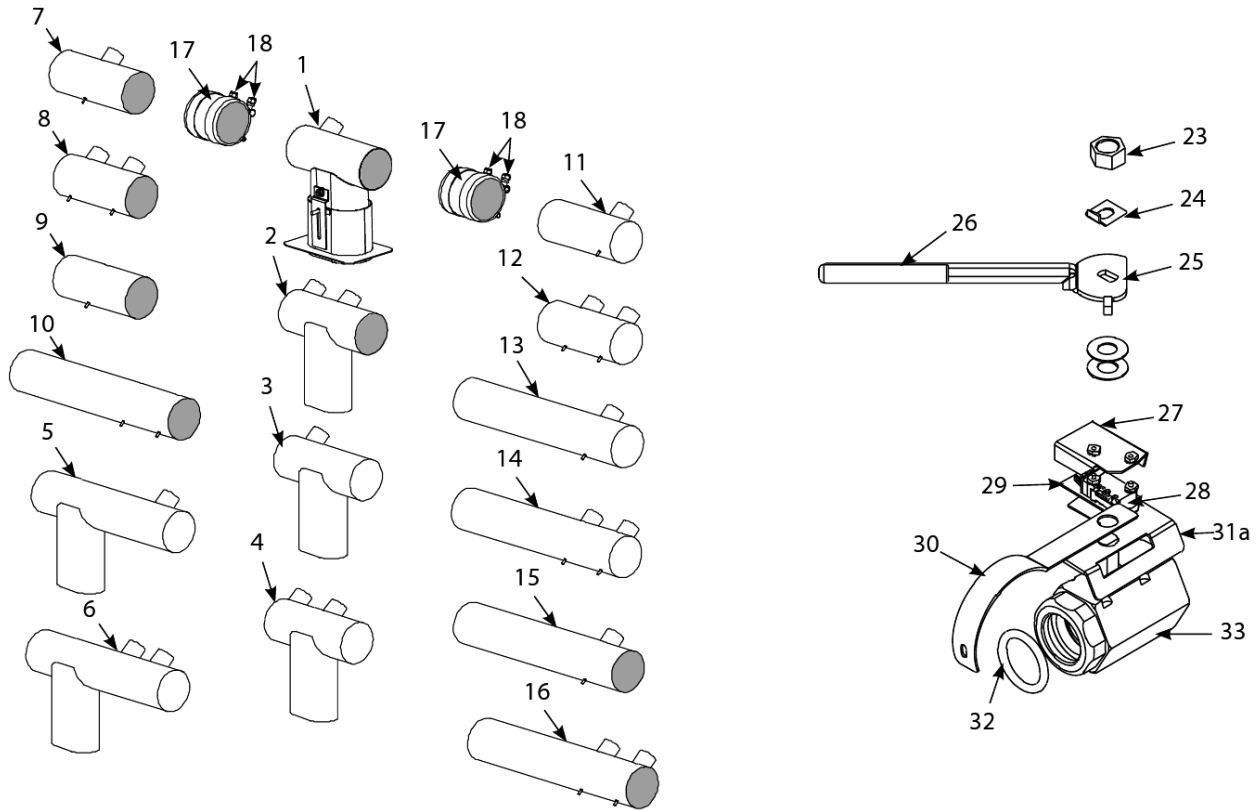
PART NOTES:

- [1] - vertical
- [2] - vertical/horizontal over filter pan
- [3] - Left shown – move handle to bottom for right
- [4] - Aluminized Steel
- [5] - Hoodstrip

Doors, Sides, Tilt Housings, Top Caps and Casters

BIEL14 Manual LOV Series Electric Fryers

Drain System Components - Drain Tube Sections and Associated Parts



Drain System Components - Drain Tube Sections and Associated Parts

BIEL14 Manual LOV Series Electric Fryers

Drain System Components - Drain Tube Sections and Associated Parts

#	PART #	DESCRIPTION	QTY	Note
1	8238141	Drain Tube, Dump Full-Vat Left Closed/Right End Open	1	
2	8238142	Drain Tube, Dump Dual-Vat Left Closed/Right End Open	1	
3	8238143	Drain Tube, Dump Full-Vat Left Closed Both Ends	1	
3a	8237939	Drain Tube, Dump Single Full-Vat Left Closed Both Ends	1	
4	8238144	Drain Tube, Dump Dual-Vat Left Closed Both Ends	1	
4a	8237936	Drain Tube, Dump Single Dual-Vat Left Closed Both Ends	1	
5	8238145	Drain Tube, Dump Full-Vat Left Closed Both Ends	1	
5a	8238128	Drain Tube, Dump Full-Vat Left Closed/Right End Open	1	
6	8238146	Drain Tube, Dump Dual-Vat Left Closed Both Ends	1	
6a	8238129	Drain Tube, Dump Dual-Vat Left Closed/Right End Open	1	
7	8234643	Drain Tube, Full-Vat, Short, Open Both Ends	1	
8	8237905	Drain Tube, Dual-Vat, Short, Open Both Ends	1	
9	8122336	Drain Tube - 3.0" x 8.0" L	1	
10	8103551	Drain Tube, Long, Open Both Ends	1	
11	8234625	Drain Tube, Short Full-Vat Left Open/Right End Closed	1	
12	8237906	Drain Tube, Short Dual-Vat Left Open/Right End Closed	1	
13	8234639	Drain Tube, Long Full-Vat Left Open/Right End Closed	1	
14	8237908	Drain Tube, Long Dual-Vat Left Open/Right End Closed	1	
15	8234641	Drain Tube, Long Full-Vat Open Both Ends	1	
16	8237907	Drain Tube, Long Dual-Vat Open Both Ends	1	
17	8160772	Sleeve	1	
18	8090969	Clamp 3"	1	
19	8160630	Cap, Vinyl Black	1	
20	8111071	Tube, 0.25-inch OD Teflon Manifold Vent	1	[1]
21	8237915	Guard, Filter Lid Splash	1	
22	1082451SP	Valve, Assembly Drain FV OCF with Filter	1	
22a	1082452SP	Valve, Assembly Drain DV OCF with Filter	1	
23	8090540	Nut, Lock 0.5-inch-13 Hex 2-Way ZP	1	
24	9002936	Retainer Nut (FV)	1	
25	2309334	Handle - Drain Valve - Left	1	
25a	2309333	Handle - Drain Valve - Right	1	
26	8160639	Cap, Vinyl Red	1	
27	9012348	Cover, Dual-Vat Left Drain Safety Switch	1	
28	8074936	Switch, Micro Gold Plated	1	
29	8160220	Insulation, Microswitch	1	
30	2006496	Support, Drain Tube	1	
31	2208162	Bracket, Single 1.25-inch Drain Valve	1	
31a	1082453	Bracket Assy, Drain Switch	1	
32	8160135	O-ring	1	
33	8101018	Drain Valve, 1.25", Left	1	
34	8075159	Harness, Drain FV	1	[2]
34a	8075160	Harness, Drain DV	1	[2]

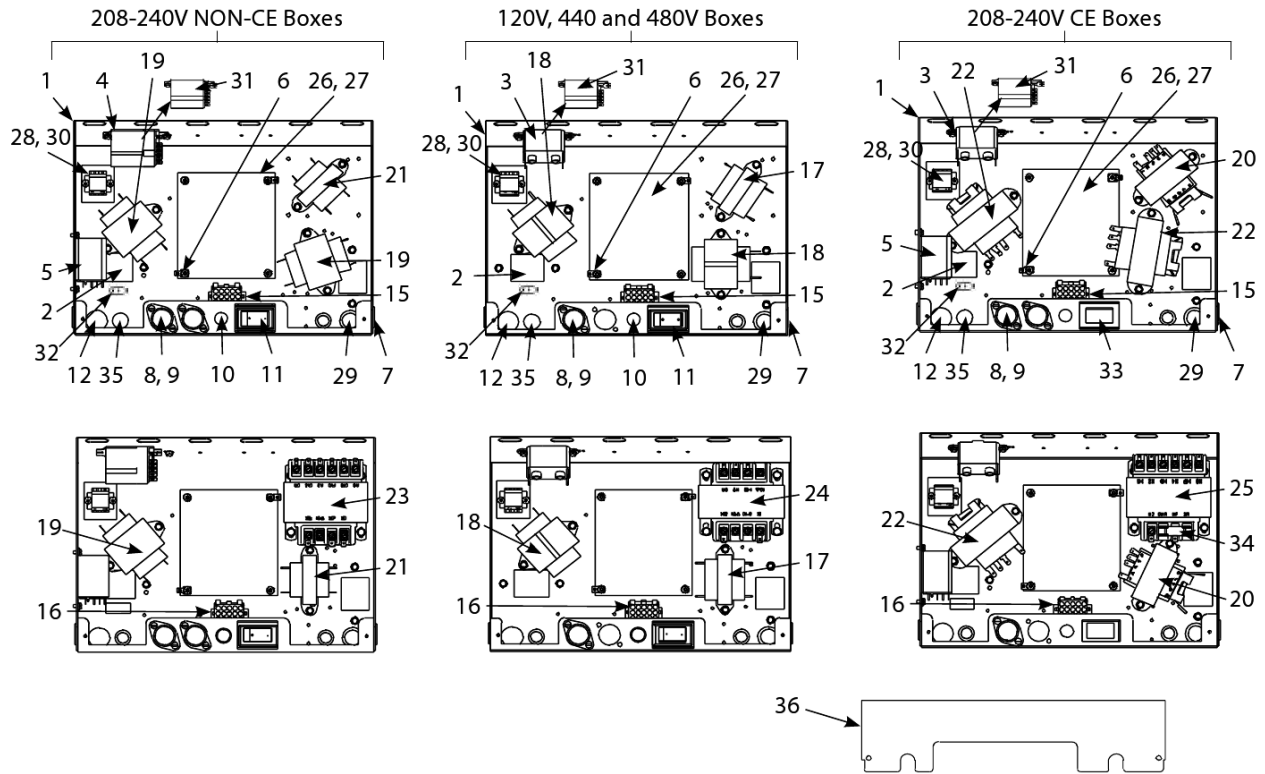
PART NOTES:

- [1] - sold by the foot
- [2] - connects from drain switch to rear of controller

Drain System Components - Drain Tube Sections and Associated Parts

BIEL14 Manual LOV Series Electric Fryers

Electronics and Wiring Components - Component Boxes



BIEL14 Manual LOV Series Electric Fryers

Electronics and Wiring Components - Component Boxes

#	PART #	DESCRIPTION	QTY	Note
1	1065592	Box Assembly, Component	1	
2	2003300	Bracket, Component Box Strain Relief	1	
3	8070012	Filter Relay - 18A 24VAC	1	[1]
4	8070670	Relay, 24V DPDT	1	[1]
5	8074770	Relay, DPDT 20A 240V	1	[1]
5a	8074346	Relay, DPDT 20A 120VAC	1	[2]
6	8070037	Terminal, 0.25-inch Push-on	1	
7	8070121	Bushing, Heyco SB-625-500	1	
8	8070922	Holder, Bus Fuse	1	
9	8072278	Fuse, 20 Amp	1	[1]
10	8102446	Plug - 0.5" Heyco Double "D"	1	
11	8074036	Switch	1	[1]
11a	8073575	Plug, Carling Switch Hole	1	[3]
12	8071947	Plug, .875	1	
13	8071321	Holder, Fuse	1	[4]
14	8071597	Fuse - 3amp Slo-Blow	1	
15	1065750SP	Full Vat Control Harness J4 to J2	1	
16	1065751SP	Dual Vat Control Harness J4 to J1 and J2	1	
17	8070855	Transformer - 120V/50-60 Hz - 12V 20VA	1	[1]
18	8070800	Transformer, 100-120V/24V 50VA Filter and MIB	1	[1]
19	8070680	Transformer, 208V, 50/60Hz -24V 20VA	1	[1]
20	8072191	Transformer - 208-240V -12V 30VA	1	[1]
21	8070979	Transformer, 208V/240V/12V	1	[1]
22	8072180	Transformer - 208-240V/24V 50A	1	[1]
23	8122126	Transformer, 208-250V 24V 75VA w/o Fuse	1	[5]
24	8074967	Transformer, 100-120V 75VA	1	[5]
25	8074968	Transformer, 208-250V 75VA	1	[5]
26	8262260	Standard Interface Board	1	[6]
26a	8074403	Speaker SMT	1	
27	8090349	Spacer, 4mm X 6mm Aluminum	1	
28	8160217	Insulation, Terminal Block Paper	1	
29	8100045	Bushing, .875 Dia. Hole 0.6875"	1	
30	8069495SP	Terminal Block and Wire Assembly	1	
31	8074346	Relay, DPDT 20A 120VAC	1	[7]
31a	8074770	Relay, DPDT 20A 240V	1	[8]
32	8072659	Switch, Momentary	1	[9]
33	2305038	Guard, Switch	1	
34	8071174	Fuse, 3 AMP, 250V, Slow-Blow	1	[1]
35	8102445	Plug, Button .625 Heyco Double "D"	1	
36	2205038	Guard Finger OCF without JIB	1	
36a	8262249	RE Hood/Ansul Interlock Kit	1	[10]

PART NOTES:

- [1] - Recommended Stock Part
- [2] - used in Canadian models only Recommended Stock Part
- [3] - used on some models without a switch
- [4] - Some models use item 10 here.

Electronics and Wiring Components - Component Boxes

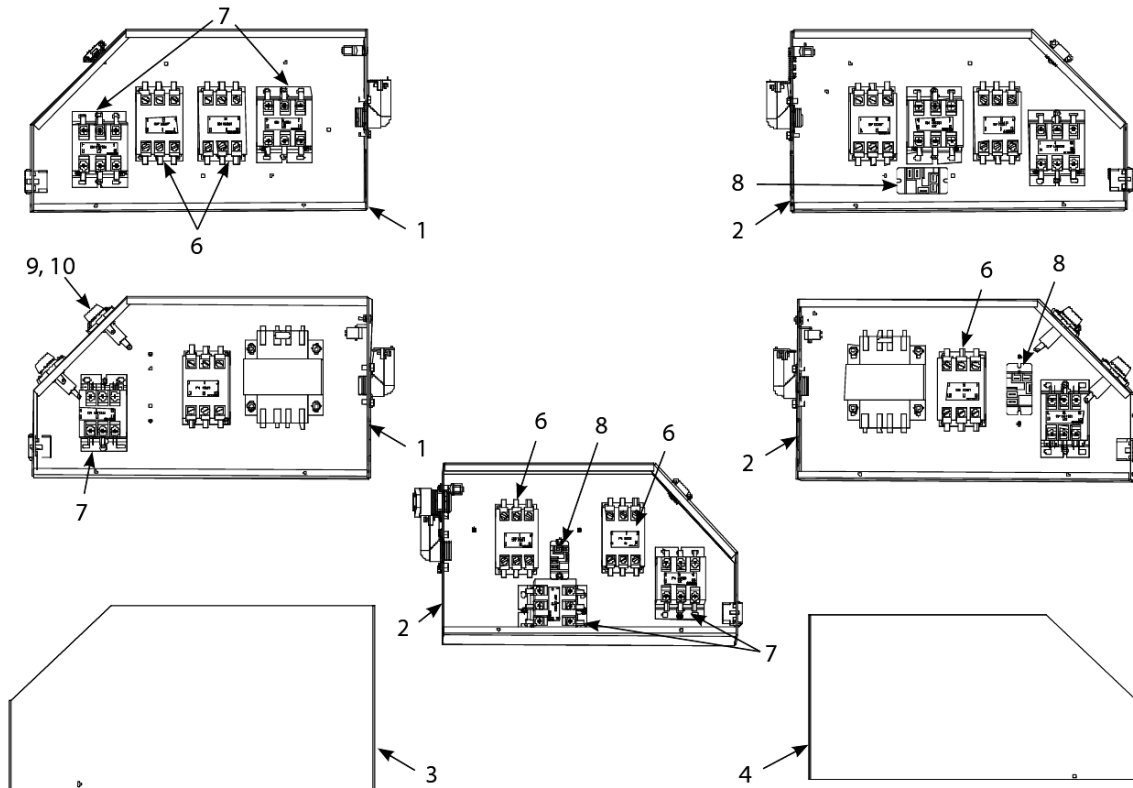
BIEL14 Manual LOV Series Electric Fryers

Electronics and Wiring Components - Component Boxes

#	PART #	DESCRIPTION	QTY	Note
[5]	-	Used in DV component boxesRecommended Stock Part		
[6]	-	includes sound harnessRecommended Stock Part		
[7]	-	used for control power reset in right hand boxes only in domestic and Canadian unitsRecommended Stock Part		
[8]	-	used for control power reset in right hand boxes only in international units; some international units have one located in each control boxRecommended Stock Part		
[9]	-	used to reset control power, in right hand boxes only		
[10]	-	includes terminal block, wires and connectors		

BIEL14 Manual LOV Series Electric Fryers

Electronics and Wiring Components - Contactor Boxes



BIEL14 Manual LOV Series Electric Fryers

Electronics and Wiring Components - Contactor Boxes

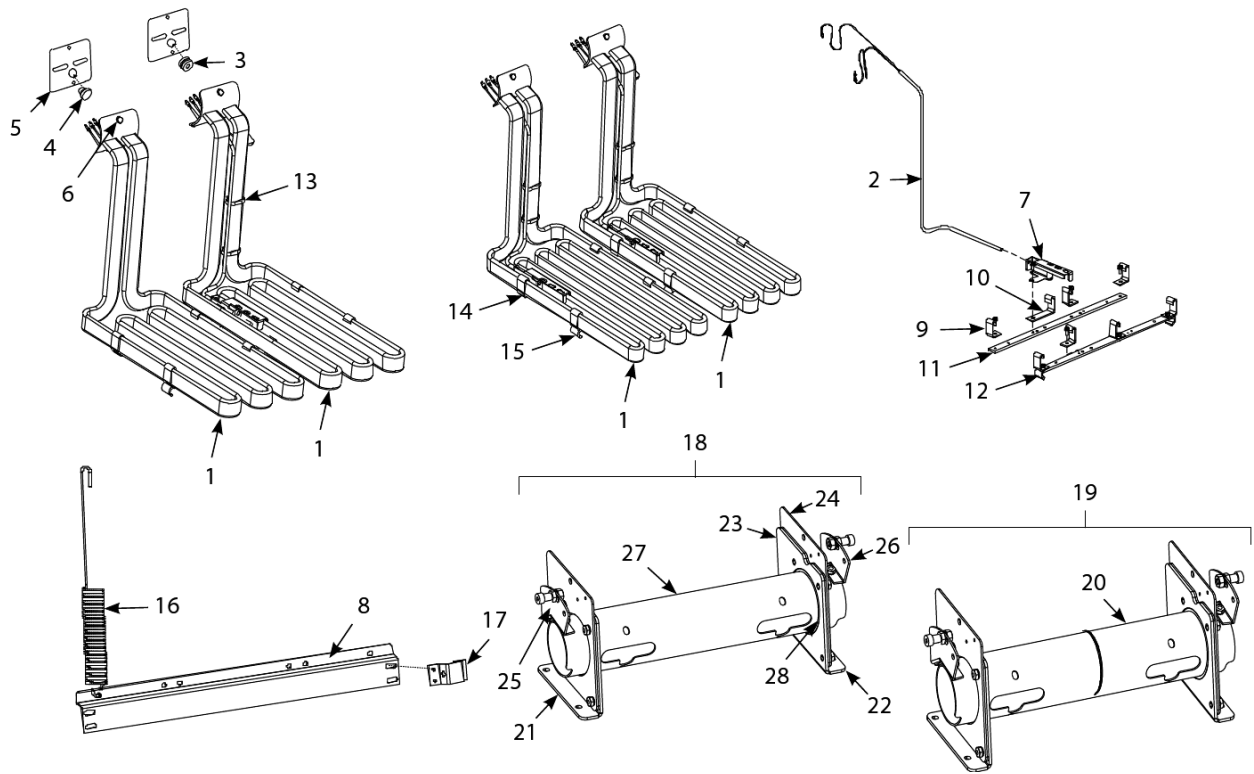
#	PART #	DESCRIPTION	QTY	Note
1	1068658	Box Assembly, Left Contactor	1	
2	1068660	Box Assembly, Right Contactor	1	
3	2210482	Cover, Left Contactor Box	1	
4	2220482	Cover, Right Contactor Box	1	
5	8070070	Terminal, Ground Lug	1	
6	8072284	Contactor, 24V 50 Amp Mechanical	1	[1]
7	8101202	Contactor, 24V 40 Amp Mechanical	1	[2]
8	8071683	Relay, 12VDC Secondary Blower Fan to cool frypot	1	
9	8070922	Holder, Bus Fuse	1	
10	8072278	Fuse, 20 Amp	1	
11	8070064	Transformer, 480V/120V 150 VA	1	
12	2210610	Bracket, Left Hand Mounting	1	
12a	2220610	Bracket, Right Hand Mounting	1	
13	8074316	Power Cords, 120V 5-wire, w/grounded plug BIRE/MRE	1	
13a	8074317	Cord, Power – Euro 3-Wire 230/240V	1	
14	8070012	Filter Relay - 18A 24VAC	1	

PART NOTES:

- [1] - HeatRecommended Stock Part
- [2] - LatchRecommended Stock Part

BIEL14 Manual LOV Series Electric Fryers

Electronics and Wiring Components - Heating Element Assemblies and Hardware



BIEL14 Manual LOV Series Electric Fryers

Electronics and Wiring Components - Heating Element Assemblies and Hardware

#	PART #	DESCRIPTION	QTY	Note
1	8262198	Element Kits - 200V - 17.0 kW	1	[1]
1a	8262192	Element Kits - 208V - 17.0 kW	1	[2]
1b	8262200	Element Kits - 220V - 17.0 kW	1	[3]
1c	8262193	Element Kits - 230V - 17.0 kW	1	[4]
1d	8262199	Element Kits - 230V - 18.5 kW	1	[5]
1e	8262194	Element Kits - 240V - 17.0 kW	1	[4]
1f	8262196	Element Kits - 480V - 17.0 kW	1	[4]
2	8262212	Temperature Probe Kit	1	[6]
3	8160681	Grommet, Probe	1	
4	8160480	Plug, .375-inch Dome	1	
5	8160688	Gasket, Element	1	
6	8091003	Screw - #10-32 x 0.375" Hex Trim Head SS	1	
6a	8090766	Nut, 10-32 Keps Hex SS	1	
6b	2304028	Wrench, Element Tube Nut Spanner	1	
7	2303714	Bracket, Temperature Probe 7.0 kW	1	
7a	2300784	Bracket - Temperature Probe 8.5/11 kW	1	[7]
8	2200464	Bracket, Lower Spring	1	
9	9102042	Clamp, Element	1	[8]
10	2300781	Key Operated Switch Ice With Keys	1	[9]
11	2304902	Support, Full-Vat Element Rear	1	
12	2304101	Support, Full-Vat Element Front	1	
13	8090567	Tie-Wrap - Metal	1	
14	2304903	Support, Dual-Vat Element Rear Dual Vat	1	
14a	2308163	Support, Dual-Vat Element Bottom Rear	1	[10]
15	2304103	Support, Dual-Vat Element Front Dual Vat 14kW	1	
16	8103030	Spring, Element Lift Left	1	
16a	8103131	Spring, Element Lift Right	1	
17	2200733	Bracket, Lower Spring Mating	1	
18	1080297SP	Tube Assembly, Full-Vat 14kW	1	
18a	1080293	Tube Assembly, Full-Vat 17	1	
19	1080298SP	Tube Assembly Dual-Vat 14kW	1	
19a	1080295	Tube Assembly Dual-Vat 17	1	
20	8103246	Bushing and Tube Assembly, Dual-Vat	1	
21	1080315	Bracket Assembly, LH Element Tube Support	1	
22	1080316	Bracket Assembly, RH Element Tube Support	1	
23	2200122	Plate, Element Tube Support Inner	1	
24	2200123	Plate, Element Tube Support Outer	1	
25	1067651SP	Bracket Assembly, LH Upper Spring	1	
25a	1066569	Bracket Assembly, LH Upper Spring	1	[11]
26	1067652SP	Bracket Assembly, RH Upper Spring	1	
26a	1066570	Bracket Assembly, RH Upper Spring	1	[11]
27	8102992	Tube, Full Vat Element Mounting	1	
28	8102993	Bushing, Tube End Teflon	1	
29	8262598	Kit, Tilt Switch	1	
30	8074742	Switch, Long Lever High Temp	1	

Electronics and Wiring Components - Heating Element Assemblies and Hardware



BIEL14 Manual LOV Series Electric Fryers

Electronics and Wiring Components - Heating Element Assemblies and Hardware

#	PART #	DESCRIPTION	QTY	Note
PART NOTES:				
[1]	-	includes gaskets, grommets, tie wraps, screws and nuts 220V 8.5kW used in some export 3-phase 4-wire WYE units		
[2]	-	includes gaskets, grommets, tie wraps, screws and nuts Recommended Stock Part		
[3]	-	includes gaskets, grommets, tie wraps, screws and nuts 240V 8.5kW used in some export 3-phase 4-wire WYE units		
[4]	-	includes gaskets, grommets, tie wraps, screws and nuts		
[5]	-	includes gaskets, grommets, tie wraps, screws and nuts used in some export 3-phase 4-wire WYE units		
[6]	-	Recommended Stock Part		
[7]	-	used in some export 3-phase 4-wire WYE units		
[8]	-	Short Short		
[9]	-	Long		
[10]	-	fish vat		
[11]	-	17kW		

BIEL14 Manual LOV Series Electric Fryers

Filtration System Components

#	PART #	DESCRIPTION	QTY	Note
1	8237910	Lid, Half Size Filter Pan	1	
2	8103288	Crumb Tray	1	
3	8103289	Hold-Down Ring - 11.2 x 19.1	1	
4	8122024	SanaGrid Filter Screen, Standard Size Filter Pan	1	
5	1083872SP	Pan, Half Size Filter Pan with casters	1	
5a	8130568	Plug, 0.125" SS NPT, Sq-Head	1	[1]
56	8261392	O-Ring	5	[2]
6	8102807	Caster - 2" Rigid	1	
7	8236458	Suction Tube Assembly	1	
8	2306616	Rail, Upper Filter Pan Left/Right	1	
9	2306619	Rail, Lower Filter Pan Left/Right	1	
10	2203275	Support, Left Filter Pan Two Vat	1	
11	2203710	Support, Right Filter Pan	1	
12	8101055	Flexline - 0.625" OD x 11.5" L	1	
13	8261785	Motor and Gasket Kit - 100V/50-60 Hz	1	
13a	8261712	Motor and Gasket Kit - 115V/50-60 Hz	1	[3]
13b	8261756	Motor and Gasket Kit - 208V/50-60 Hz	1	[3]
13c	8261270	Motor and Gasket Kit - 220-240V/50-60 Hz	1	
13d	8261755	Motor and Gasket Kit - 250V/50-60 Hz	1	
14	8261264	Pump Kit - 4 GPM	1	[4]
14a	8160093	Gasket - Pump/Motor	1	
15	8090514	Cap Screw - 0.3125" 18 NC Hex	1	[5]
15a	80711973	Pump Seal Kit - Viking	1	
15b	1080649SP	Heater Strip Assembly - 100-120V/25W - 18"	1	
15c	1065912	Heater Strip Assembly - 208-250V/25W - 18"	1	
16	8072484	Solenoid Valve - 0.25"	1	
17	8101055	Flexline - 0.625" OD x 11.5" L	1	
18	8101057	Flexline - Oil Return - 13" L	1	
19	8130838	Nipple - 0.25" NPT	1	
20	8101668	Male Adaptor - 0.625" OD x 0.5"	1	
21	8101669	Female Adaptor - 0.875" OD x 0.5"	1	
22	8130298	Nipple, 0.5" x 2.00" NPT BM Pipe	1	
22a	8111071	Tube, 0.25-inch OD Teflon Manifold Vent	1	[6]
23	8130022	Nipple, 0.5" Close NPT BM	1	
24	8130165	Elbow - 0.5" x 90° NPT Street	1	
25	8130304	Bushing, 0.5-inch NPT to 0.25-inch NPT Flush Reducing	1	
26	8130530	Tee, Reducing 0.5-inch x 0.25-inch x 0.5-inch	1	
27	8130537	Nipple - 0.25" x 2"	1	
28	8130543	Elbow, Street 0.25" NPT	1	

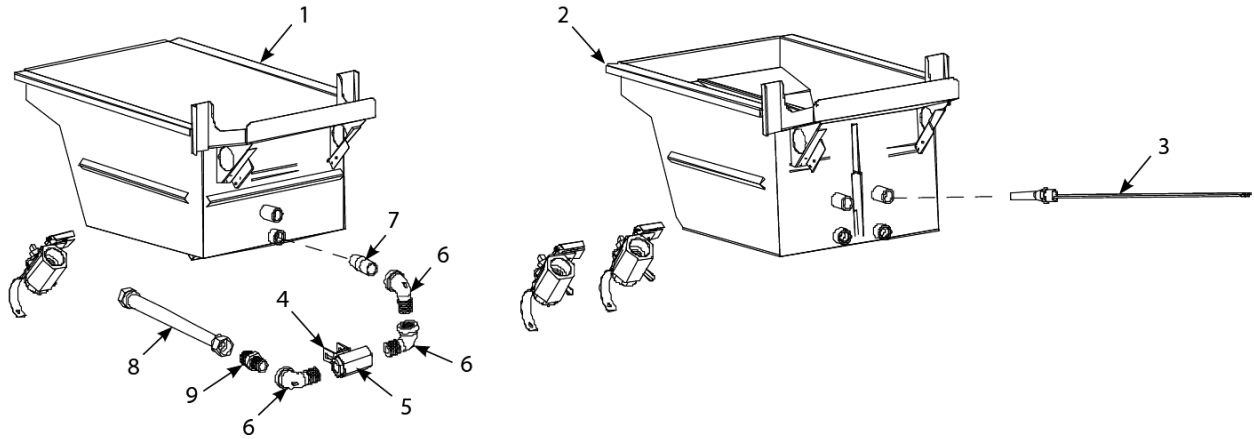
PART NOTES:

- [1] - used with Item 5; two required
- [2] - used with Item 5 Recommended Stock Part
- [3] - Recommended Stock Part
- [4] - includes gasket and cap screws below
- [5] - Connects pump to motor.
- [6] - sold by the foot

Filtration System Components

BIEL14 Manual LOV Series Electric Fryers

Frypot Assemblies and Associated Parts



Frypot Assemblies and Associated Parts

BIEL14 Manual LOV Series Electric Fryers

Frypot Assemblies and Associated Parts

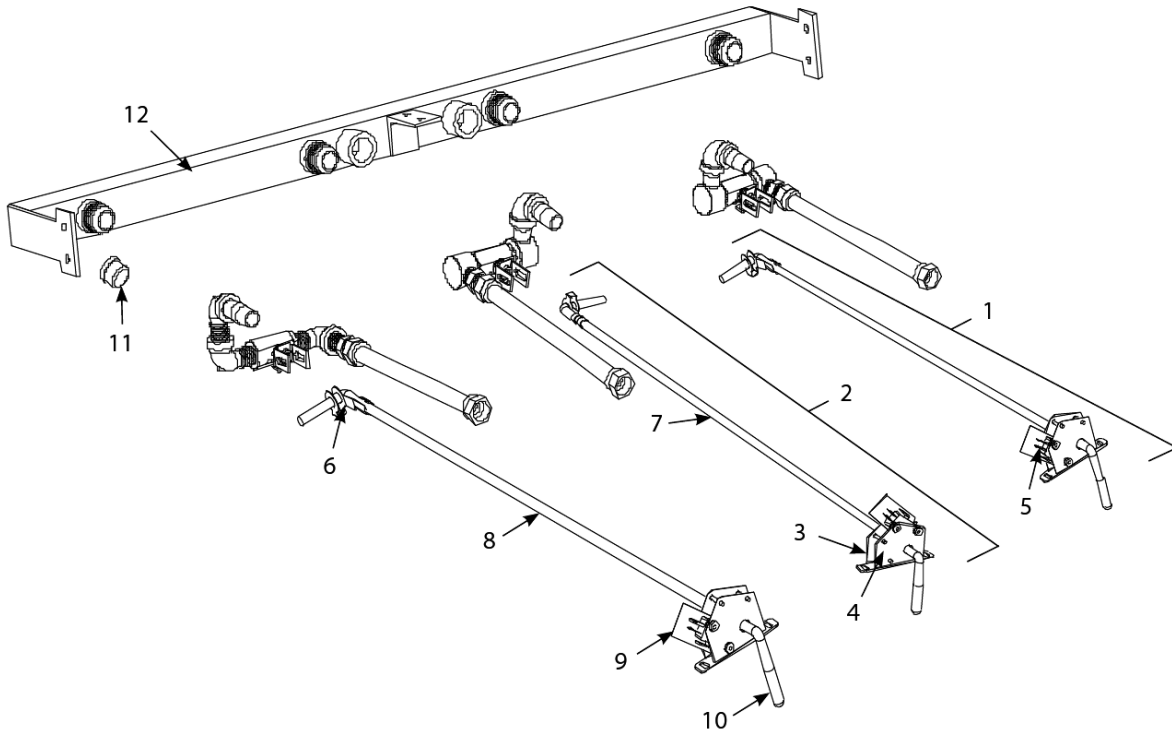
#	PART #	DESCRIPTION	QTY	Note
1	8238948SP	Frypot, Full-Vat Manual LOV	1	
2	8238957SP	Frypot, Dual-Vat Manual LOV	1	
2a	8242210	Riser, DV Frypot	1	
3a	8261177	Thermostat, High-Limit 425°F/218°C	1	[1]
3b	8262456	Thermostat Assembly - High-Limit - 435°F	1	[2]
3c	8068035SP	High-limit Thermostat	1	[3]
3d	8262455	Thermostat Assembly - High-Limit - 415°F	1	[4]
3e	8068132	High-Limit Thermostat, CE other than 22kW	1	[5]
4	2005438	Handle, Rear Flush Valve	1	
4a	9002935	Retainer, Nut Oil Return Valve	1	
5	8100278	Valve, 0.5" Ball	1	
6	8130165	Elbow - 0.5" x 90° NPT Street	1	
7	8130298	Nipple, 0.5" x 2.00" NPT BM Pipe	1	
8	8101067	Flexline - Oil Return - 0.625" OD x 8.5" L	1	
9	8101668	Male Adaptor - 0.625" OD x 0.5"	1	

PART NOTES:

- [1] - 218°C14 and 17kW FV
- [2] - 224°C17kW and 14kW DV
- [3] - 224°C17kW and 14kW DV Color Coded Red
- [4] - 213°C14kW and 17kW CE
- [5] - Color-Coded Yellow
213°C14kW and 17kW CEColor-Coded Yellow

BIEL14 Manual LOV Series Electric Fryers

Oil Return System Components



Oil Return System Components

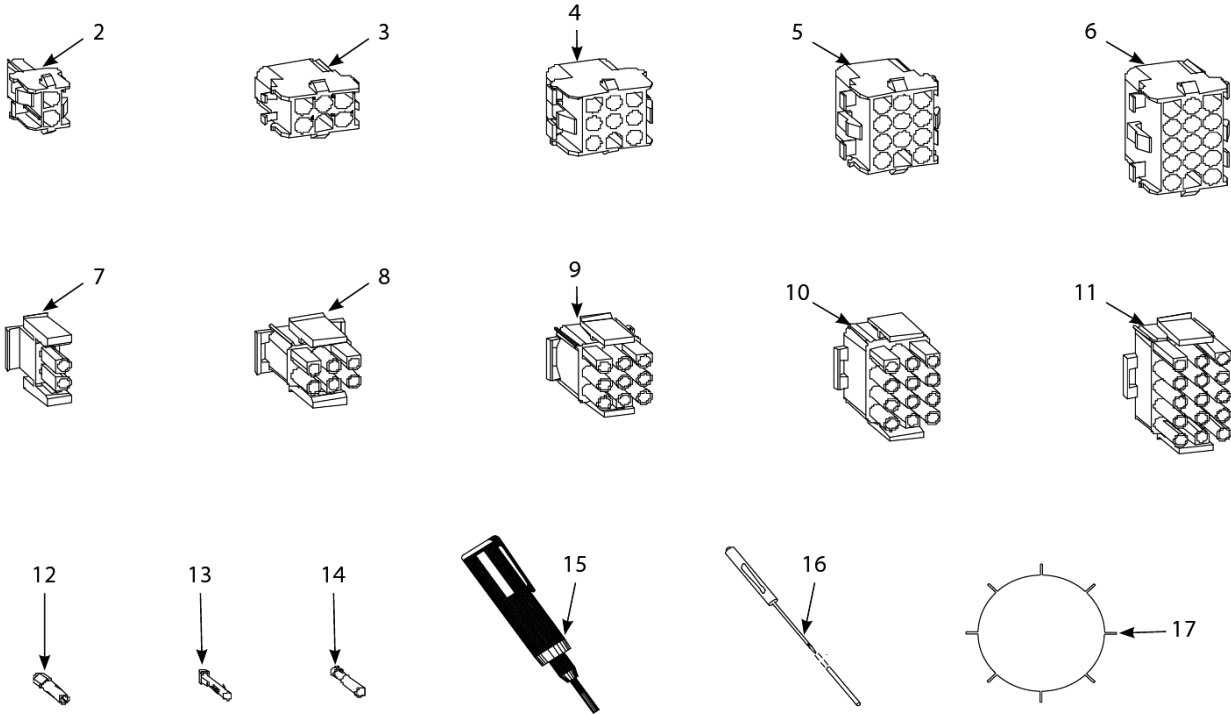
BIEL14 Manual LOV Series Electric Fryers

Oil Return System Components

#	PART #	DESCRIPTION	QTY	Note
1	1082433	Handle Assembly, Full-Vat and Right Dual-Vat Rear Flush Complete	1	
2	1082432	Handle Assembly, Left Dual-Vat Rear Flush Complete	1	
3	1065595	Bracket Switch Assembly	1	
4	2005401	Bracket, Handle Retainer	1	
5	8072103	Microswitch	1	
6	8090601	Clip, Clevis	1	
7	8103887	Handle, Oil Return Left Dual Vat Rod	1	
8	8103886	Handle, Oil Return Right Dual Vat and Full Vat Rod	1	
9	8160220	Insulation, Microswitch	1	
10	8160643	Grip, Oil Return Valve Handle	1	
11	8130907	Cap, 0.9375-inch Valve Safety	1	
12	8103015	Manifold, Two-Station Fryer	1	
12a	8103016	Manifold, Three-Station Fryer	1	
12b	8103017	Manifold, Four-Station Fryer	1	
12c	8103018	Manifold, Five-Station Fryer	1	

BIEL14 Manual LOV Series Electric Fryers

Wiring Connectors, Pin Terminals, and Power Cords



BIEL14 Manual LOV Series Electric Fryers

Wiring Connectors, Pin Terminals, and Power Cords

#	PART #	DESCRIPTION	QTY	Note
1	8070154	Power Cord - 120V w/Ground Plug	1	
1a	8074317	Cord, Power – Euro 3-Wire 230/240V	1	
1b	8071685	Power Cord - 450V - 18A - 110-inch, 3-wire, 16-gauge	1	
1c	8074316	Power Cords, 120V 5-wire, w/grounded plug BIRE/MRE	1	
1d	8073817	Power Cord - 208-250V/3 Ph - 74A - 96" - 4-wire w/plug 8 awg	1	
1e	8075105	Power Cord - 208-240V/3 Ph - 105" - 4-wire w/ground plug CE 4 battery or larger	1	
2	8071068	2-Pin Female	1	
3	8070158	6-Pin Female	1	
4	8070156	9-Pin Female	1	
5	8070159	12-Pin Female	1	
6	8070875	15-Pin Female	1	
7	8071067	2-Pin Male	1	
8	8070157	6-Pin Male	1	
9	8070155	9-Pin Male	1	
10	8070160	12-Pin Male	1	
11	8070804	15-Pin Male	1	
12	8261341	Terminal, Female Split Pin	25	
13	8261342	Terminal, Male Split Pin	25	
14	8072518	Plug, Mate-N-Lock	1	[1]
15	8070928	Extract Tool Pin Pusher	1	
16	8064855	Pin Pusher Screwdriver Assy	1	
17	2302345	SMT Pin Extractor	1	
17a	8074660PK	SMT Pin Service Repair Kit	1	
18	8090429	Bolt - 0.25"- 20 x 2.00" Hex Head ZP Tap	1	
18a	8261389	Screw - 0.25"-20 x 0.75" Hex Head ZP	1	
19	8091020	Cap Screw, 0.3125"-18 5.50" NC Hex	1	[2]
20	8090448	Clip, Tinnerman	1	
21	8261366	Nut - #4-40 Keps Hex	1	
21a	8261366	Nut - #4-40 Keps Hex	25	
21b	8261358	Nut, 6-32 Keps Hex	1	
21c	8261358	Nut, 6-32 Keps Hex	25	
21d	8090247	Nut - #8-32 Keps Hex	1	
21e	8261376	Nut - #10-32 Keps Hex	1	
21g	8090766	Nut, 10-32 Keps Hex SS	1	
21h	8090581	Nut, 0.5 NPT Locking	1	
22	8090020	Nut Cap 10-24 NP	1	
23	8261372	Nut Grip 0.25-inch 0.25-20 Hex NP	1	
24	8261368	Nut - 0.25-20 Serrated Flange	1	
25	8090535	Nut, "T" 0.25-inch-20 x 0.4375 SS	1	
25a	8090495	Nut, 0.25-inch - 20 Press	1	
25b	8090540	Nut, Lock 0.5-inch-13 Hex 2-Way ZP	1	
26	8261359	Screw - #4-40 x 0.75" Slotted Round Head	1	
27	8261365	Screw, 6-32 x 0.375-inch Slot Head	1	
27b	8090357	Screw, 6 x 0.375-inch Phillips Head NP	1	
28	8090359	Screw, 8 x 0.25-inch Hex Washer Head	1	

Wiring Connectors, Pin Terminals, and Power Cords

BIEL14 Manual LOV Series Electric Fryers

Wiring Connectors, Pin Terminals, and Power Cords

#	PART #	DESCRIPTION	QTY	Note
28a	8090360	Screw, 8 x 0.375-inch Hex Washer Slot Head	1	
28b	8261371	Screw - #8 x 0.5" Hex Head ZP	1	
28d	8090364	Screw - #8 x 0.625" Hex Washer Head ZP	1	
28e	8090518	Screw, 8-32 x 0.375-inch Hex Washer Slotted Head SS	1	
28f	8090104	Screw, 8-32 x 0.5-inch Slotted Head ZP	1	
28g	8261363	Screw - #8-32 x 0.5" NP	1	
29	8261360	Screw - #10-24 x 0.3125" Round Slot Head ZP	1	
29b	8261330	Screw, 10-32 x 0.375-inch Slot Head SS	1	
29d	8091003	Screw - #10-32 x 0.375" Hex Trim Head SS	1	
29e	8090270	Screw, 10-32 x 0.5-inch Phillips Head ZP	1	
29f	8261375	Screw - #10-32 x 0.75" - Hex Trim Head SS	1	
29h	8091000	Screw - #10-32 x 1.25" - Hex	1	
29i	8261374	Screw - #10 x 0.5" Hex Head	1	
29k	8090266	Screw, 10 x 0.5-inch Phillips Head ZP	1	
29l	8090475	Screw - #10-32 x 0.3125" Hex	1	
29m	8090123	Screw - #10 x 0.75" - Slot Head	1	
30	8261389	Screw - 0.25"-20 x 0.75" Hex Head ZP	1	
31	8090582	Washer 0.5 NPT Locking	1	
31a	8090184	Washer, #10 LK ZP	1	
31b	8090190	Washer, .625 X .275 X 40 Flat SS	1	
31c	8090191	Washer, Lock 0.25 Spring ZP	1	
31d	8090193	Flat Washer - 0.25" Nylon	1	
31e	8090194	Flat Washer - 0.3125" ZP	1	

PART NOTES:

- [1] - Dummy Pin
- [2] - Connects pump to motor.