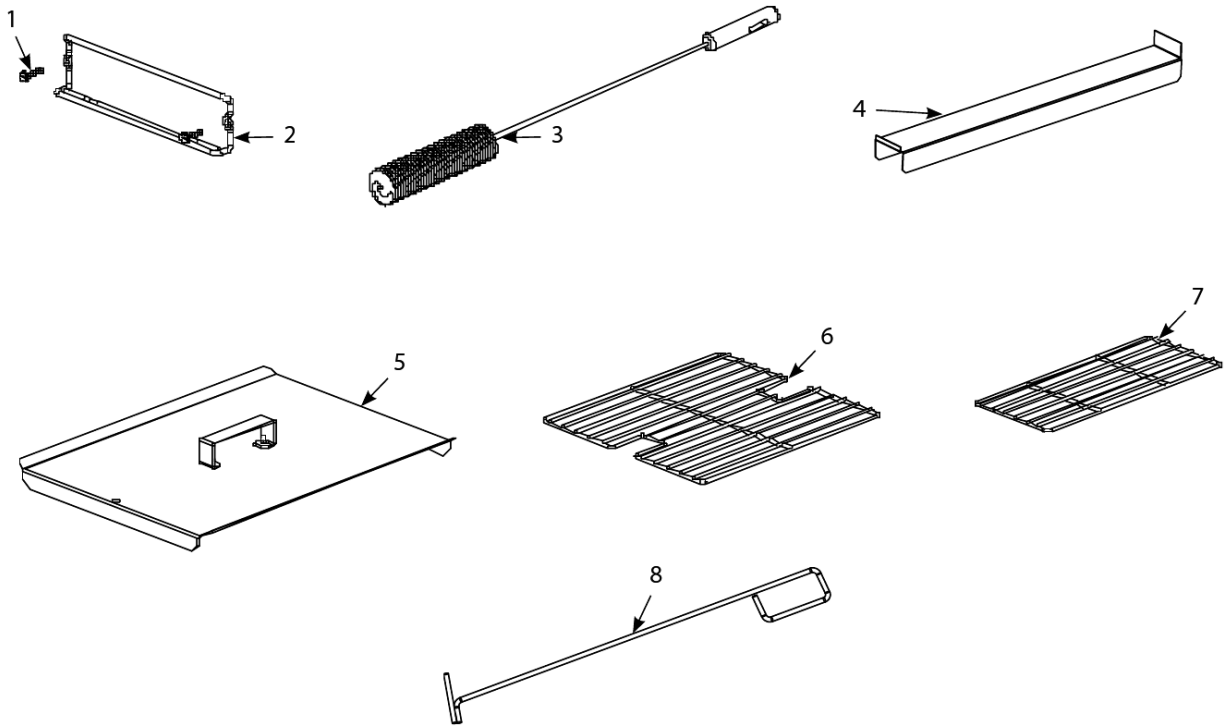


BIELA14 Series Gen II LOV Electric Fryers

Accessories



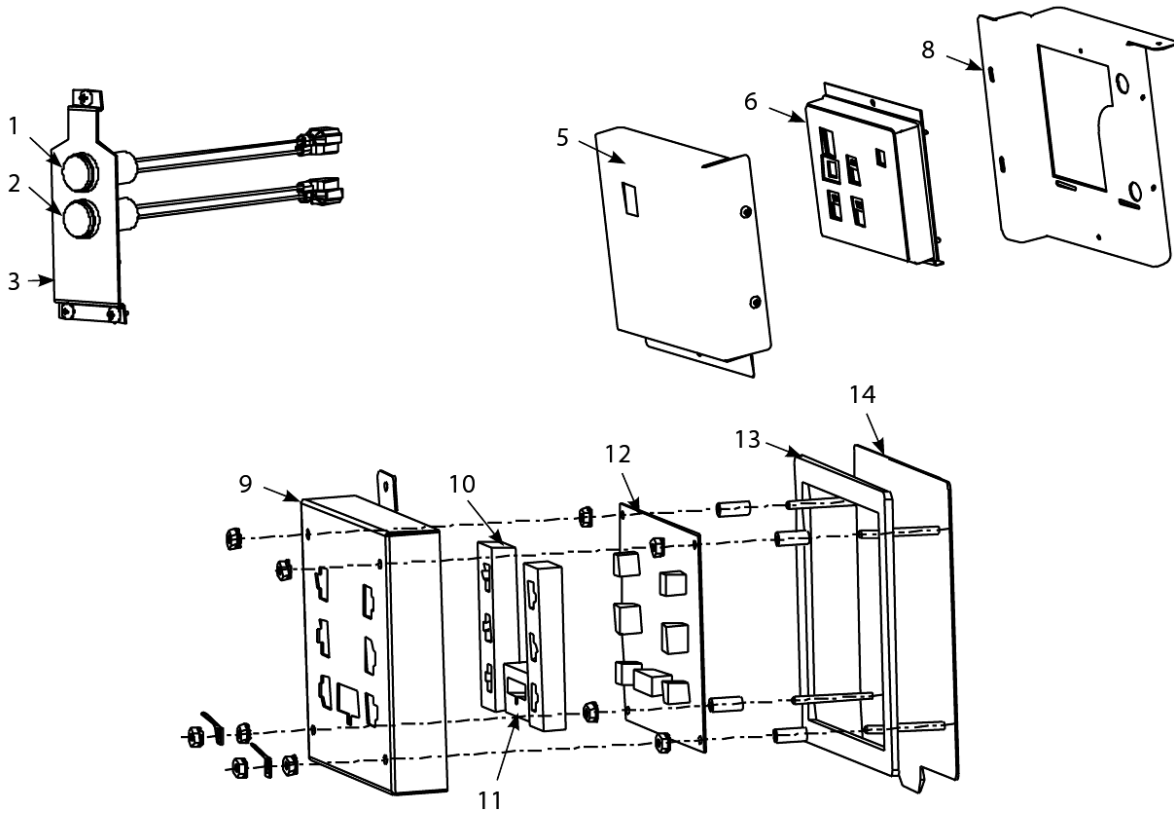
BIELA14 Series Gen II LOV Electric Fryers

Accessories

#	PART #	DESCRIPTION	QTY	Note
1	8090171	Thumbscrew, 0.25-20 x 1.375-inch	1	
1a	8090402	Thumbscrew - 0.25"-20 x 0.5"	1	
2	8102793	Hanger - Wireform Basket	1	
2a	8090921-FRY	Spacer, Basket Hanger	1	
3	8030429	Brush, Frypot	1	
4	8237263	Connecting Strip, Frypot	1	
5	1068325	Cover, Full-Vat Frypot	1	
5a	1068329	Cover, Dual-Vat Frypot	1	
6	8030132	Rack, Full-Vat Basket Support	1	
7	8030106	Rack, Electric Dual-Vat Basket Support	1	
8	8030388	Fryers Friend	1	

BIELA14 Series Gen II LOV Electric Fryers

Auto Intermittent Filtration AIF Control Boards and Lights



Auto Intermittent Filtration AIF Control Boards and Lights

BIELA14 Series Gen II LOV Electric Fryers

Auto Intermittent Filtration AIF Control Boards and Lights

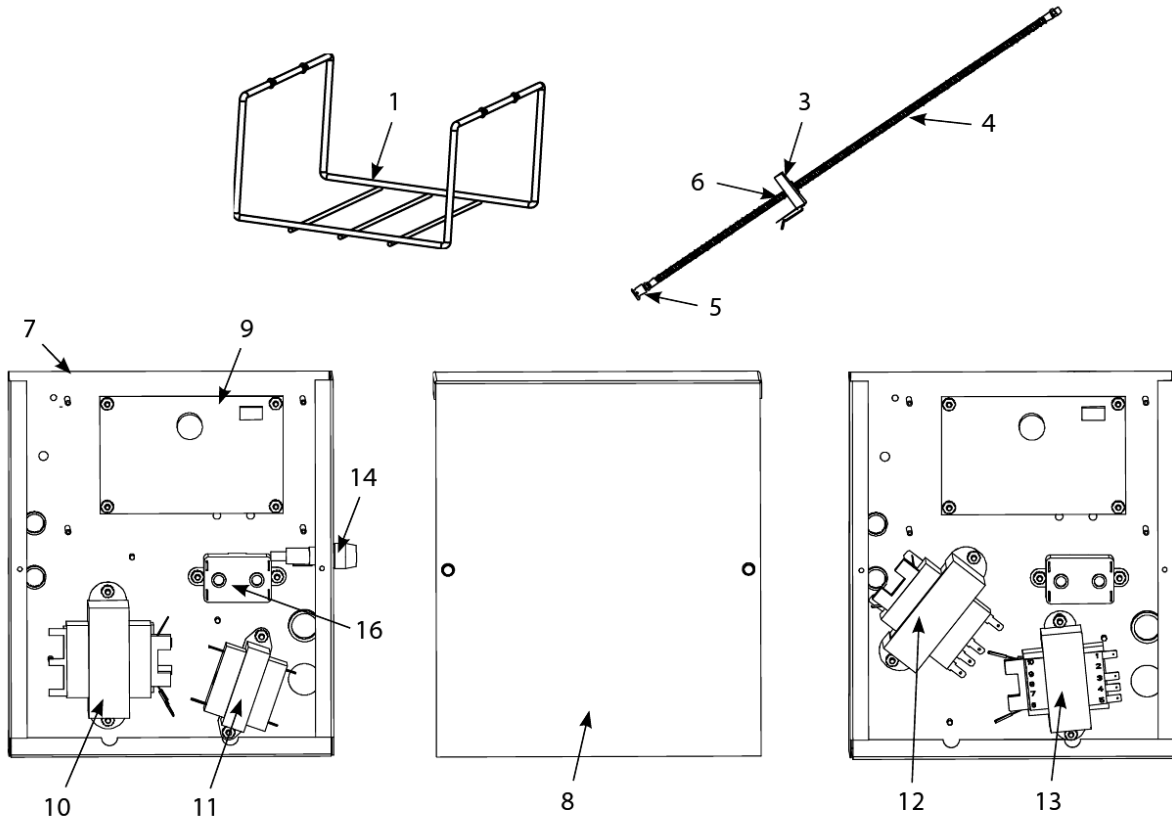
#	PART #	DESCRIPTION	QTY	Note
1	1068106SP	Light, Blue 24VDC LED Flush	1	
2	1068105SP	Light, Yellow 24VDC LED Flush	1	
3	2304271	Plate, Control Frame LOV™	1	
4	1081298	Assembly, MIB	1	
5	2206288	Cover, MIB	1	
6	1082156	Assembly, MIB PCB w/ metal work	1	[1]
7	8074481	Assembly, FilterQuick MIB Controller w/ Metalwork (overlay)	1	
8	2205793	Assembly Back, Box MIB	1	
8a	1081305	Assembly, AIF Board w/ metal frame	1	
9	8241988	Cover, AIF Board	1	
10	8160814	Gasket, Actuator Board	1	
11	8160815	Gasket, Controller Board	1	
12	1081304SP	AIF Board with Software	1	[1]
13	8160820	Seal, Actuator Board	1	
14	1080097	Box, Actuator Stud	1	
15	1082156	Assembly, MIB PCB w/ metal work	1	
15a	1081305	Assembly, AIF Board w/ metal frame	1	
16	1081304SP	AIF Board with Software	1	
16a	1081279	PCB Board, Automatic Top Off	1	
17	1081284SP	Computer, McDonald's M3000 Gas Fryer SMT, Non-CE M3000	1	[2]
17a	1081282	Computer, McDonald's M3000 Gas Fryer SMT, CE M3000	1	[3]

PART NOTES:

- [1] - Recommended Stock Part
- [2] - For use in US, Canada, Mexico and all other non-CE countries
- [3] - For use in European CE countries

BIELA14 Series Gen II LOV Electric Fryers

Auto Top Off Control Components and Accessories



Auto Top Off Control Components and Accessories

BIELA14 Series Gen II LOV Electric Fryers

Auto Top Off Control Components and Accessories

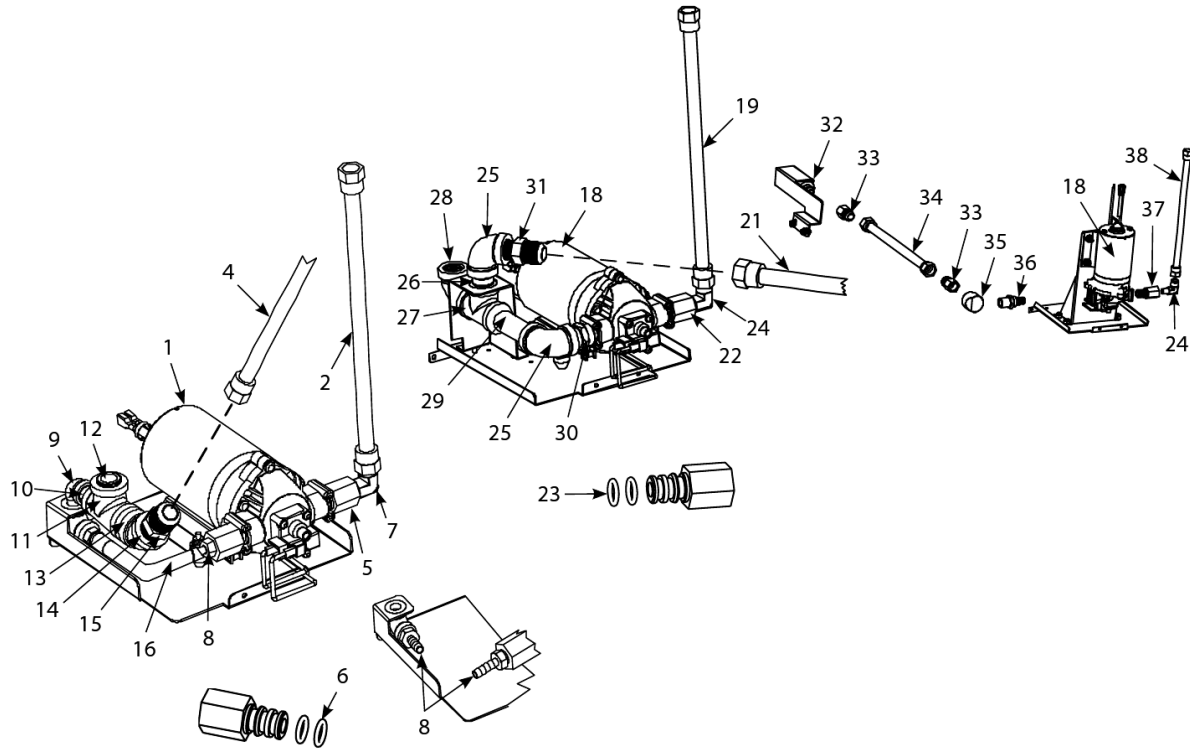
#	PART #	DESCRIPTION	QTY	Note
1	2207991	Basket, JIB LOV™	1	
2	1082005	Cap, JIB Assembly	1	
2a	1082047	Cap, JIB Assembly, Intl BIB	1	
3	1082001	Lower Front Plate	1	[1]
3a	1082002SP	Cap, JIB Assembly - BIB Europe	1	
4	8103823	Hose, JIB	1	
5	8237738	Tip Assembly, JIB Suction Hose	1	
6	8160870	Clamp	1	[2]
7	1080653	Board - Auto Top Off	1	
8	2205679	Cover, Top Off Board Box	1	
9	1081279	PCB Board, Automatic Top Off	1	
9a	1082752	PCB Board, LON Works 120V	1	[3]
9b	1082753	PCB Board, LON Works 230-240-250V	1	[3]
10	8072181	Transformer, 100-120V/24V 62VA	1	[2]
11	8070855	Transformer - 120V/50-60 Hz - 12V 20VA	1	[2]
12	8072180	Transformer - 208-240V/24V 50A	1	[2]
13	8072191	Transformer - 208-240V -12V 30VA	1	[2]
14	8071321	Holder, Fuse	1	
15	8071597	Fuse - 3amp Slo-Blow	1	[2]
16	8070012	Filter Relay - 18A 24VAC	1	[4]

PART NOTES:

- [1] - for Intl. BIB
- [2] - Recommended Stock Part
- [3] - Must be pre-programmed before shipping. Call Frymaster with the serial #, number of vats and country.
- [4] - Top off pump Recommended Stock Part

BIELA14 Series Gen II LOV Electric Fryers

Auto Top Off Pump and Accessories



Auto Top Off Pump and Accessories

FRY_P_0022_12_14_Auto Top Off Pump and Accessories.pdf

BIELA14 Series Gen II LOV Electric Fryers

Auto Top Off Pump and Accessories

#	PART #	DESCRIPTION	QTY	Note
1	1080639	Pump, Shurflo 24VAC	1	
2	8103265	Flexline - 0.5" OD x 24" L	1	[1]
2a	8103591	Flexline - Top Off - 0.5" OD x 8" L	1	[2]
3	8100667	Valve, Check 0.5" 1 PSI	1	
4	8101069	Flexline - 0.625" OD x 29.5" L	1	[3]
5	8103666	Fitting, Shurflow Pump	1	
6	8160782	O-Ring, Viton #111	1	
7	8130940	Elbow, 0.25" NPT x 0.375" Flare	1	
8	8103770	Fitting, 0.25" NPT Male Barb	1	
9	8130543	Elbow, Street 0.25" NPT	1	
10	8130838	Nipple - 0.25" NPT	1	
11	8130530	Tee, Reducing 0.5-inch x 0.25-inch x 0.5-inch	1	
12	8130304	Bushing, 0.5-inch NPT to 0.25-inch NPT Flush Reducing	1	
13	8130022	Nipple, 0.5" Close NPT BM	1	
14	8130345	Elbow, 0.5" x 45° BM NPT	1	
15	8101668	Male Adaptor - 0.625" OD x 0.5"	1	
16	8122083	Hose LOV Fryer JIB	1	[4]
16a	8111166	Hose, Silicone Braided 18"	1	[5]
17	8262896	Kit, Topoff Service Kit	1	[6]
17a	8262897	Kit, Topoff Service Kit	1	[7]
18	1080639	Pump, Shurflo 24VAC	1	
19	8103265	Flexline - 0.5" OD x 24" L	1	[1]
19a	8103591	Flexline - Top Off - 0.5" OD x 8" L	1	[2]
20	8100667	Valve, Check 0.5" 1 PSI	1	
21	8101069	Flexline - 0.625" OD x 29.5" L	1	[3]
22	8103666	Fitting, Shurflow Pump	1	
23	8160782	O-Ring, Viton #111	1	
24	8130940	Elbow, 0.25" NPT x 0.375" Flare	1	
25	8130062	Elbow - 0.5" BM x 90°	1	
26	8130087	Nipple, 0.5-inch NPT x 1.5-inch (3.8 cm)	1	
27	8238063	JIB Connection Topoff Welded Assy.	1	
28	8130165	Elbow - 0.5" x 90° NPT Street	1	
29	8130247	Nipple, 0.5 x 3.5" NPT BM	1	
30	1082054SP	Fitting, Shurflo Pump with male end	1	
31	8101668	Male Adaptor - 0.625" OD x 0.5"	1	
32	8238079	Bracket W/A, Shortening Suction 3 battery	1	[8]
33	8101669	Female Adaptor - 0.875" OD x 0.5"	1	
34	8101055	Flexline - 0.625" OD x 11.5" L	1	
35	8130908	Adapter, 0.5" NPT 90°	1	
36	8103820	Fitting, Quick Connect Shurflo Pump	1	
37	8103578	Fitting, Shurflow Pump OCF	1	
38	8103375	Flexline - 0.5" OD x 17" L	1	[1]
39	8130907	Cap, 0.9375-inch Valve Safety	1	

PART NOTES:

- [1] - Out to oil return manifold
- [2] - Out to oil return manifold two battery only

Auto Top Off Pump and Accessories

BIELA14 Series Gen II LOV Electric Fryers

Auto Top Off Pump and Accessories

#	PART #	DESCRIPTION	QTY	Note
[3]	-	In from RTI fresh oil solenoid Domestic units only		
[4]	-	Cut and attach to item 8 with a ty wrap		
[5]	-	sold by the foot		
[6]	-	JIB		
[7]	-	BIB		
[8]	-	In from Shortening Melting Unit		

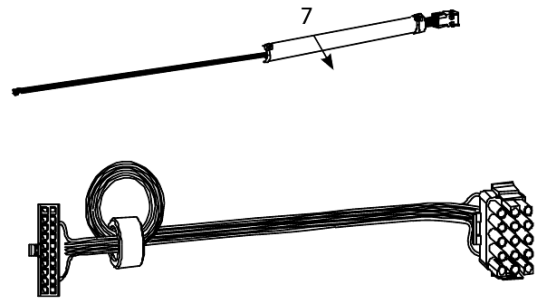
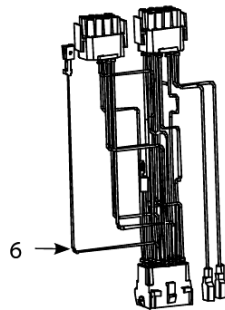
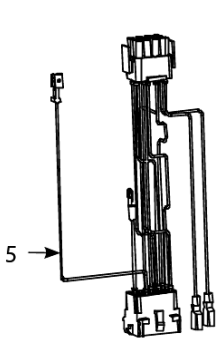
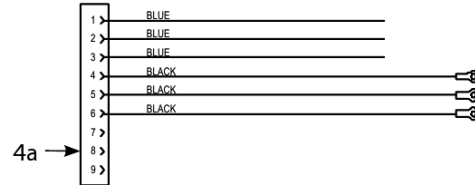
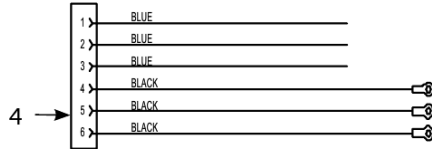
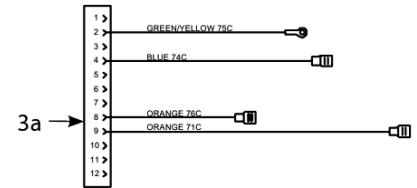
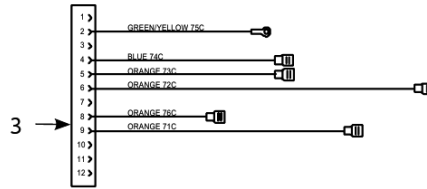
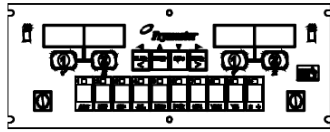
Auto Top Off Pump and Accessories

FRY_P_0022_12_14_Auto Top Off Pump and Accessories.pdf



BIELA14 Series Gen II LOV Electric Fryers

Computer, Interface Board, Wiring Harness



BIELA14 Series Gen II LOV Electric Fryers

Computer, Interface Board, Wiring Harness

#	PART #	DESCRIPTION	QTY	Note
1	1081284SP	Computer, McDonald's M3000 Gas Fryer SMT, Non-CE M3000	1	[1]
1a	1081282	Computer, McDonald's M3000 Gas Fryer SMT, CE M3000	1	[2]
1b	1082969	Computer, McDonald's M3000 Gas Fryer SMT, M3000	1	[3]
2	8074403	Speaker SMT	1	
3	1065980SP	Contacto Box Harness Assembly Dual Vat	1	
3a	1066031SP	Contacto Box Wiring Assemblies – 12-Pin Full-Vat C-1, Contacto Box Harness Assembly Full Vat Standard EPRI	1	
4	1068744	14/17 kW Mechanical Contactor	1	
4a	1068745	14/17 kW Mechanical Contactor	1	
5	1065750SP	Full Vat Control Harness J4 to J2	1	[4]
6	1065751SP	Dual Vat Control Harness J4 to J1 and J2	1	[4]
7	1080490	Component Box to Filter Pump Harness	1	
8	8074546	Controller Communication	1	[5]
9	8074547	AIF Communication/Power	1	[6]
10	8074649	MIB Power/Blue LED/Pan Sw	1	[7]
11	8074655	Harness RTD Medium	1	[8]
11a	8262706	Probe Kit	1	
12	8074553	ATO Power	1	[9]
12a	8074671	ATO Pump/JIB Reset/Bulk Fresh Oil Solenoid Harness	1	[10]
12b	8074772	ATO Pump and JIB 4-5 Battery only	1	[10]
12c	8074555	ATO Yellow LED	1	[11]
12d	8074722	ATO Yellow LED 4-5 Battery only	1	[11]
13	8074573	Controller Locator Wire	1	
13a	8074552	Communications Terminator	1	[12]
14	8074657	Jumper	1	[13]
15	1069256SP	Long Top-off Power	1	[14]
16	8074760	Harness, RTI – MIB connection	1	
17	8074660PK	SMT Pin Service Repair Kit	1	[15]
17a	2302345	SMT Pin Extractor	1	[15]

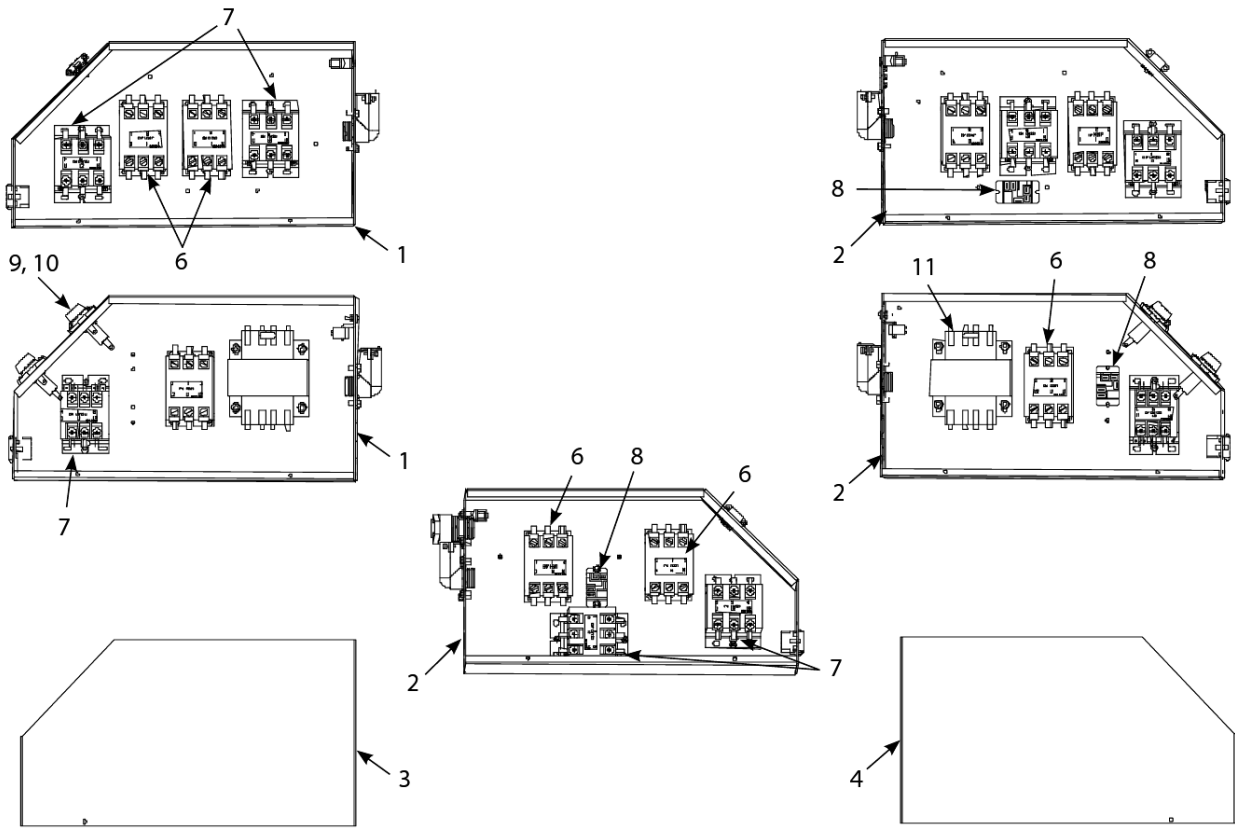
PART NOTES:

- [1] - For use in US, Canada, Mexico and all other non-CE countries Recommended Stock Part
- [2] - For use in European CE countries Recommended Stock Part
- [3] - For use in Russia only Recommended Stock Part
- [4] - Standard
- [5] - used from Computer to Computer
- [6] - used from MIB to AIF and AIF to AIF
- [7] - used from Transformer and Filtr Rly to MIB to Blue LED and PanSw
- [8] - used from RTD to ATO Board
- [9] - used from Transformer to ATO Board
- [10] - used from ATO Board to Top-off Pump and JIB Reset Switch
- [11] - used from ATO Board to Yellow LED
- [12] - used on Computer pin J6 and ATO board pin J10 to terminate network
- [13] - used on 4 and 5 battery ATO board plug J5 pin 7 and 8
- [14] - used between Component Box to ATO Box
- [15] - Recommended Stock Part

Computer, Interface Board, Wiring Harness

BIELA14 Series Gen II LOV Electric Fryers

Contactorm Boxes - Left and Right Contactorm Box Configurations



RESOURCE NOTES:

The configurations illustrated show all possible components, but a particular configuration may not have all the components shown.

BIELA14 Series Gen II LOV Electric Fryers

Contactor Boxes - Left and Right Contactor Box Configurations

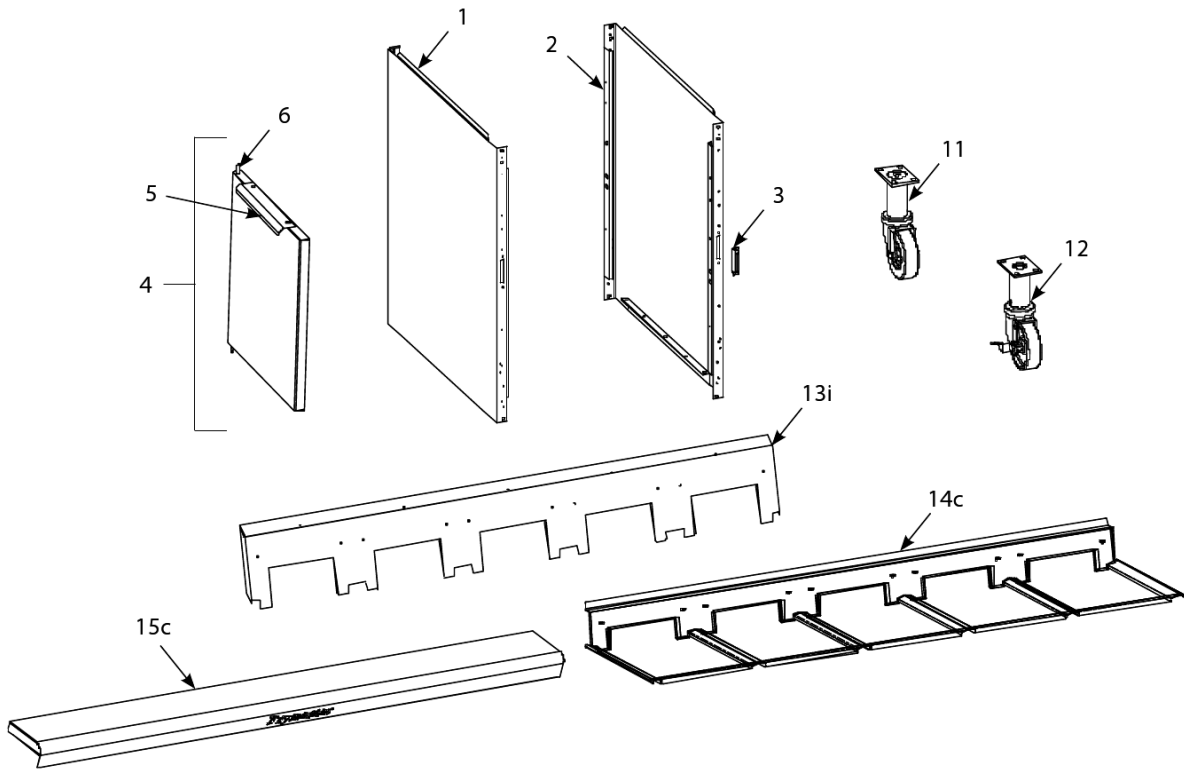
#	PART #	DESCRIPTION	QTY	Note
1	1068658	Box Assembly, Left Contactor	1	
2	1068660	Box Assembly, Right Contactor	1	
3	2210482	Cover, Left Contactor Box	1	
4	2220482	Cover, Right Contactor Box	1	
5	8070070	Terminal, Ground Lug	1	
6	8072284	Contactor, 24V 50 Amp Mechanical	1	[1]
7	8101202	Contactor, 24V 40 Amp Mechanical	1	[2]
8	8071683	Relay, 12VDC Secondary Blower Fan to cool frypot	1	
9	8070922	Holder, Bus Fuse	1	
10	8072278	Fuse, 20 Amp	1	
11	8070064	Transformer, 480V/120V 150 VA	1	
12	2210610	Bracket, Left Hand Mounting	1	
12a	2220610	Bracket, Right Hand Mounting	1	
13	8074316	Power Cords, 120V 5-wire, w/grounded plug BIRE/MRE	1	
13a	8074317	Cord, Power – Euro 3-Wire 230/240V	1	
14	8070012	Filter Relay - 18A 24VAC	1	

PART NOTES:

- [1] - HeatRecommended Stock Part
used in 14 17kW units only
- [2] - LatchRecommended Stock Part

BIELA14 Series Gen II LOV Electric Fryers

Doors, Sides, Tilt Housings, Cap-N-Splash, Top Caps and Casters



Doors, Sides, Tilt Housings, Cap-N-Splash, Top Caps and Casters

BIELA14 Series Gen II LOV Electric Fryers

Doors, Sides, Tilt Housings, Cap-N-Splash, Top Caps and Casters

#	PART #	DESCRIPTION	QTY	Note
1	2310323SP	Side, Standard Cabinet Left SS	1	
1a	2210323SP	Side, Standard Cabinet Left SS - Enameled Steel	1	[1]
2	2320323SP	Side, Standard Cabinet Right SS	1	
2a	2220323SP	Side, Standard Cabinet Right SS (for Enameled Steel)	1	[1]
3	8101105	Door Magnet - Vertical	1	[2]
3a	8102346	Door Magnet - Horizontal	1	[3]
4	1080915	Burner Box Bottom	1	[4]
5	2304960	Handle, Eurolook Door	1	
6	1064067SP	Door Pin Assembly	1	
7	8261343	Spring - Door Pin Hinge	1	
8	8090970	Retaining Ring	1	
9	2307192	Hinge, Door Lower	1	
10	2206097	Holder, Manual	1	
11	8100327	Caster 4" without Brake	1	
12	8100326	Caster, Adjustable Front (Before 6 Nov 2000)	1	[5]
13	8236085	Tilt Housing, Two Station, S/S	1	
13a	1080131	Tilt Housing, Two Station, S/S	1	[6]
13b	9102441	Tilt Housing, Two Station, S/S	1	[7]
13c	8235700	Tilt Housing, Three Station, S/S	1	
13d	1080132	Tilt Housing, Three Station, S/S	1	[6]
13e	9102440	Tilt Housing, Three Station, S/S	1	[7]
13f	8236151	Tilt Housing, Four Station, S/S	1	
13g	1080133	Tilt Housing, Four Station, S/S	1	[6]
13h	9102439	Tilt Housing, Four Station, S/S	1	[7]
13i	8236243	Tilt Housing, Five Station, S/S	1	
13j	1080138	Tilt Housing, Five Station, S/S	1	[6]
13k	9109447	Tilt Housing, Five Station, S/S	1	[7]
14	8236420	Cap-N-Splash, Two Station	1	
14a	8236421	Cap-N-Splash, Three Station	1	
14b	8236422	Cap-N-Splash, Four Station	1	
14c	8236887	Cap-N-Splash, Five Station	1	
15	1067835	Top Cap Two Station	1	
15a	1065979	Top Cap Three Station	1	
15b	1067576	Top Cap Four Station	1	
15c	1067841	Top Cap, Five Station	1	
15d	8090078	10-32 Nutserts	1	

PART NOTES:

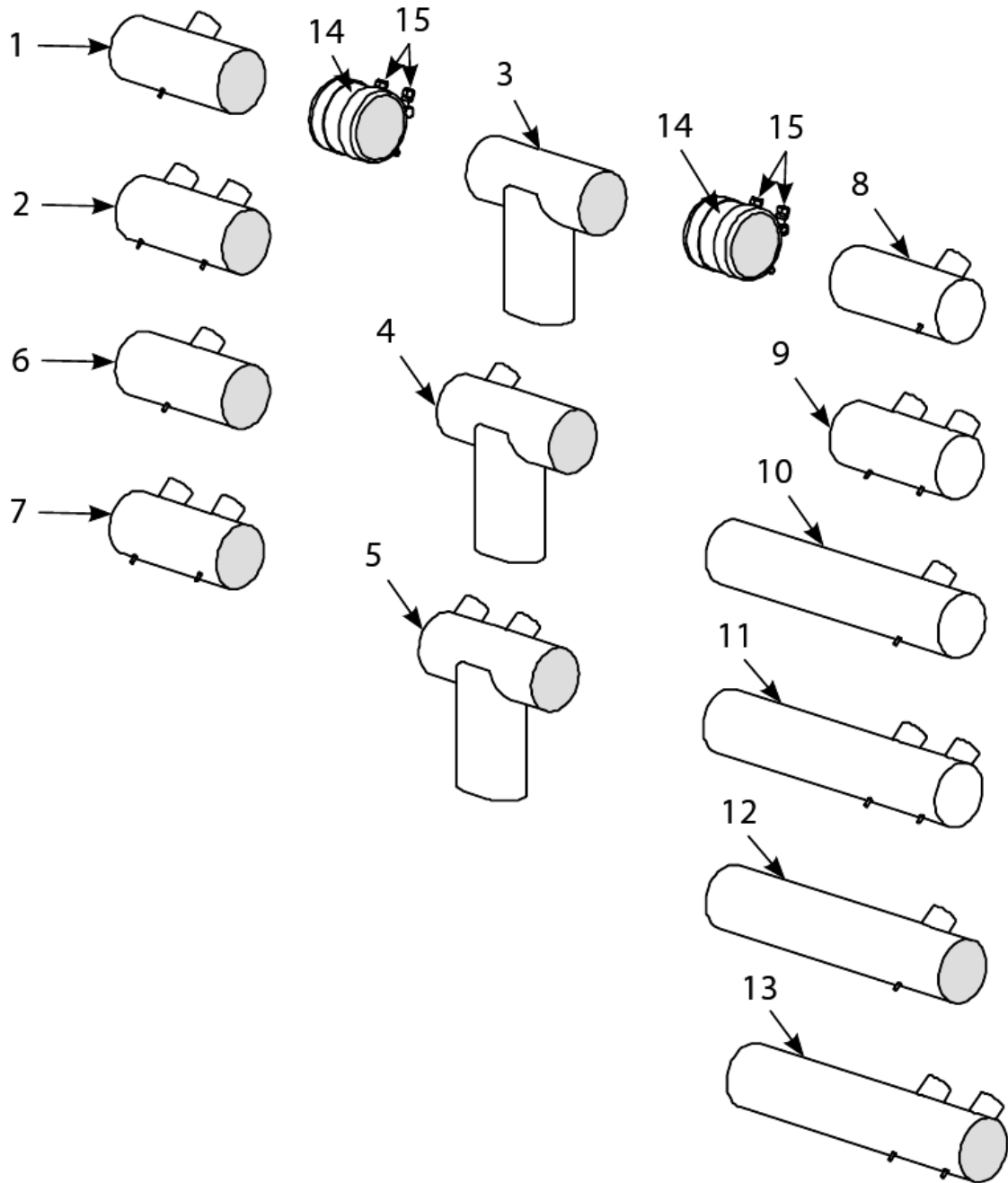
- [1] - Enameled Steel
for Enameled Steel
- [2] - vertical
- [3] - horizontal over filter pan
- [4] - Left shown – move handle to bottom for right
w/ Manual Holder
- [5] - Before 6 Nov 2000
- [6] - Aluminized Steel
- [7] - Hoodstrip

Doors, Sides, Tilt Housings, Cap-N-Splash, Top Caps and Casters



BIELA14 Series Gen II LOV Electric Fryers

Drain System Components - Drain Tube Sections and Associated Parts



Drain System Components - Drain Tube Sections and Associated Parts

BIELA14 Series Gen II LOV Electric Fryers

Drain System Components - Drain Tube Sections and Associated Parts

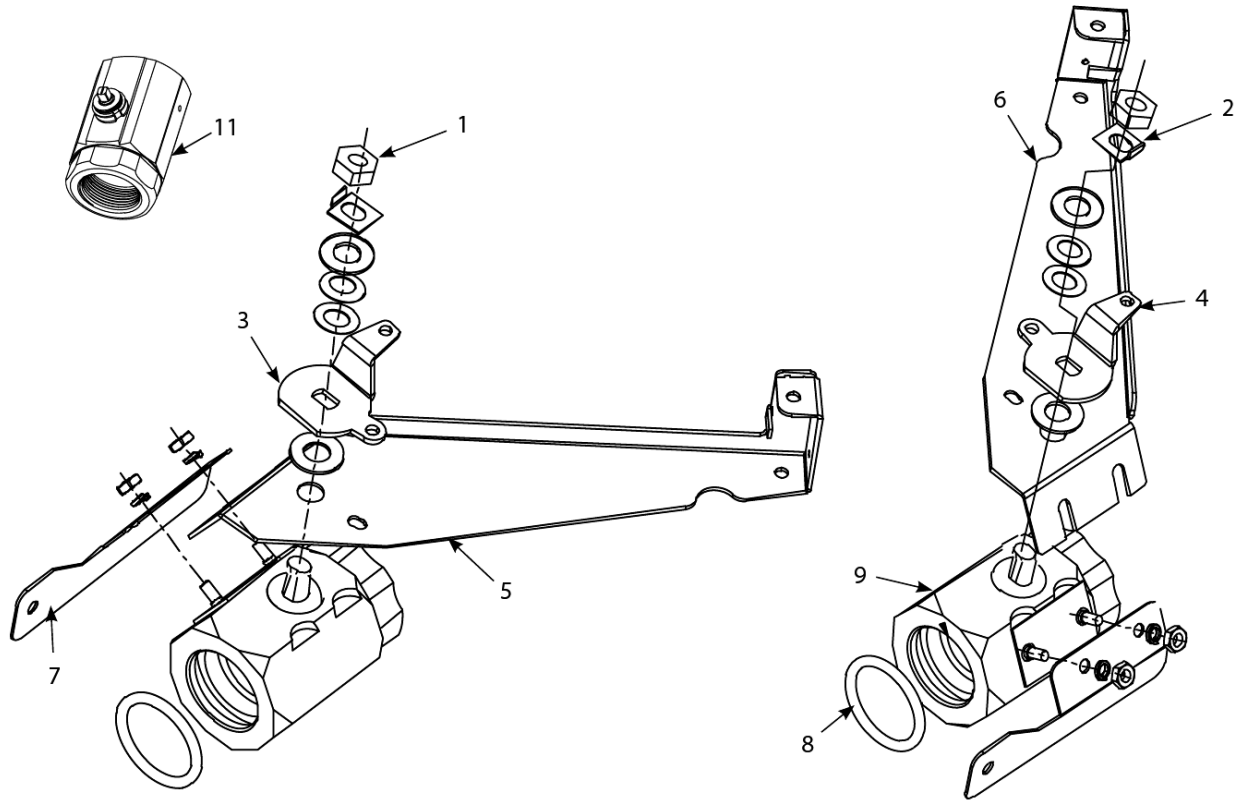
#	PART #	DESCRIPTION	QTY	Note
1	8236020	Drain Tube, Full-Vat Left Closed/Right End Open	1	
2	8236112	Drain Tube, Dual-Vat Left Closed/Right End Open	1	
3	1081874	Drain Tube, Dump	1	
3a	1081882	Drain Tube, Dump	1	[1]
4	1081876	Drain Tube, Full-Vat 2 Bat. Dump Left Closed/Right End Open	1	
5	1081878	Drain Tube, Dual-Vat 2 Bat. Dump Left Closed/Right End Open	1	
6	8236019	Drain Tube, Full-Vat Left and Right Open	1	
7	8236021	Drain Tube, Dual-Vat Left and Right Open	1	
8	8236240	Drain Tube, Full-Vat 2 Bat. Left Open/Right End Closed	1	
9	8236242	Drain Tube, Dual-Vat 2 Bat. Left Open/Right End Closed	1	
10	8236202	Drain Tube, Full-Vat Left Open/Right End Closed	1	
11	8236114	Drain Tube, Dual-Vat Left Open/Right End Closed	1	
12	8236117	Drain Tube, Full-Vat Left and Right Open	1	
13	8236115	Drain Tube, Dual-Vat Left and Right Open	1	
14	8160772	Sleeve	1	
15	8090969	Clamp 3"	1	
16	8160630	Cap, Vinyl Black	1	
17	8103531	Valve, Check 20 PSI	1	

PART NOTES:

[1] - for French Unit

BIELA14 Series Gen II LOV Electric Fryers

Drain Valves and Associated Parts



Drain Valves and Associated Parts

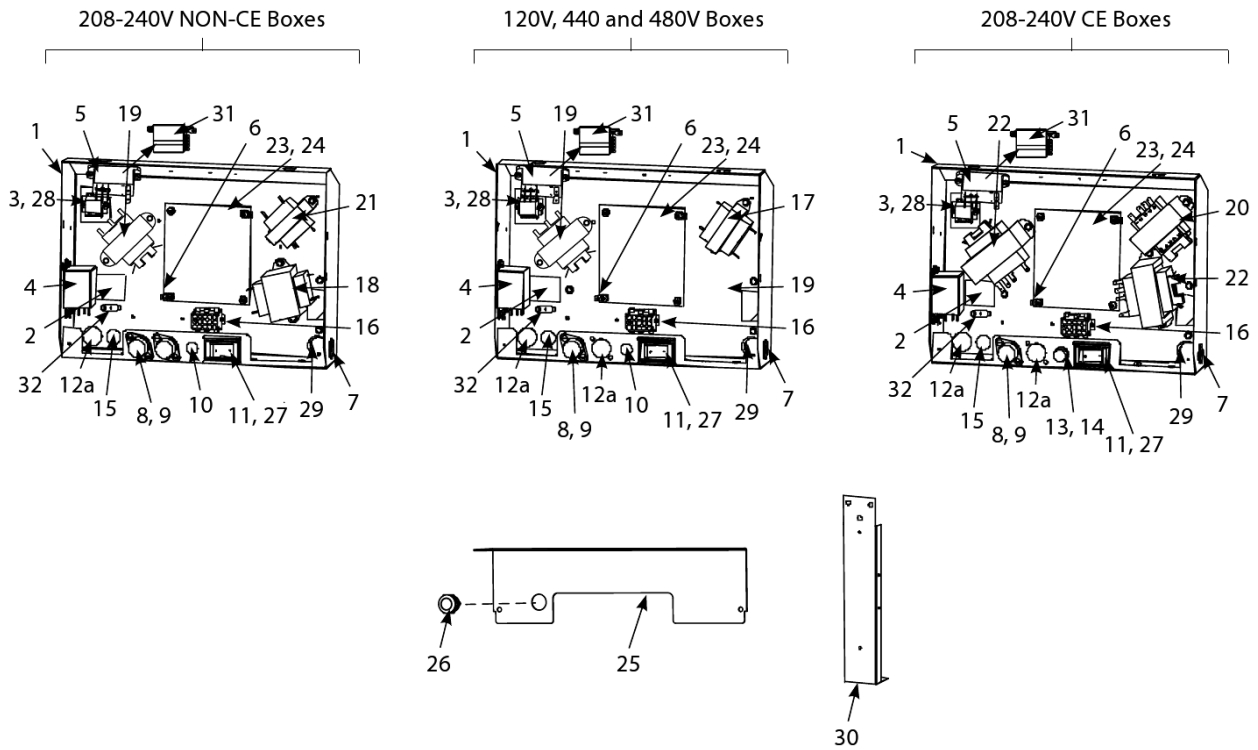
BIELA14 Series Gen II LOV Electric Fryers

Drain Valves and Associated Parts

#	PART #	DESCRIPTION	QTY	Note
1	8090540	Nut, Lock 0.5-inch-13 Hex 2-Way ZP	1	
2	9002936	Retainer Nut (FV)	1	
3	2325701	Handle, Drain Valve FV or DV Right	1	
4	2315701	Handle, Drain Valve DV Left	1	
5	8242048	Mount, Electric Drain Actuator Right	1	
6	8242047	Mount, Electric Drain Actuator Left	1	
7	2225962	Bracket, Drain to Valve LOV™ Electric	1	
8	8160544	O-Ring	1	
9	8237231	Valve, 1.25-inch Drain Rt.	1	
10	8237230	Valve, 1.25-inch Drain Lt.	1	
11	8104353	Valve, 1.25 Drain Rotary Actuator	1	

BIELA14 Series Gen II LOV Electric Fryers

Electronics and Wiring Components - Component Boxes



BIELA14 Series Gen II LOV Electric Fryers

Electronics and Wiring Components - Component Boxes

#	PART #	DESCRIPTION	QTY	Note
1	1065592	Box Assembly, Component	1	
2	2003300	Bracket, Component Box Strain Relief	1	
3	8069495SP	Terminal Block and Wire Assembly	1	
4	8074346	Relay, DPDT 20A 120VAC	1	[1]
5	8074482	Relay, Filter 30A 24VDC DPDT	1	[2]
6	8070037	Terminal, 0.25-inch Push-on	1	
7	8070121	Bushing, Heyco SB-625-500	1	
8	8070922	Holder, Bus Fuse	1	
9	8072278	Fuse, 20 Amp	1	
10	8102446	Plug - 0.5" Heyco Double "D"	1	
11	8074036	Switch	1	[2]
12	8073575	Plug, Carling Switch Hole	1	[3]
12a	8071947	Plug, .875	1	
13	8071321	Holder, Fuse	1	[4]
14	8071597	Fuse - 3amp Slo-Blow	1	
14a	8071174	Fuse, 3 AMP, 250V, Slow-Blow	1	
15	8102445	Plug, Button .625 Heyco Double "D"	1	
16	1065750	Harness, Full Vat Assembly	1	
16a	1065751	Harness Assembly, RE DV Control	1	
17	8070855	Transformer - 120V/50-60 Hz - 12V 20VA	1	[2]
18	8070800	Transformer, 100-120V/24V 50VA Filter and MIB	1	[5]
18a	8074933	Transformer, 120/208/240/24V 75VA Filter	1	[6]
18b	8074968	Transformer, 208-250V 75VA	1	[7]
18c	8074967	Transformer, 100-120V 75VA	1	[7]
19	8072181	Transformer, 100-120V/24V 62VA	1	[2]
20	8072191	Transformer - 208-240V -12V 30VA	1	[2]
21	8070979	Transformer, 208V/240V/12V	1	[2]
22	8072180	Transformer - 208-240V/24V 50A	1	[2]
23	8090349	Spacer, 4mm X 6mm Aluminum	1	
24	8262260	Standard Interface Board	1	[8]
24a	8074403	Speaker SMT	1	
25	2204723	Guard, Finger w/ switch opening	1	
26	8074678	Switch, Momentary	1	
27	2305038	Guard, Switch	1	
28	8160217	Insulation, Terminal Block Paper	1	
29	8100045	Bushing, .875 Dia. Hole 0.6875"	1	
30	2006654	Brace, Component Box	1	
31	8074346	Relay, DPDT 20A 120VAC	1	[9]
31a	8074770	Relay, DPDT 20A 240V	1	[10]
32	8072659	Switch, Momentary	1	[11]
33	8262249	RE Hood/Ansul Interlock Kit	1	[12]

PART NOTES:

- [1] - used in Canadian models only Recommended Stock Part
- [2] - Recommended Stock Part
- [3] - used on some models without a switch
- [4] - Some models use item 10 here.

Electronics and Wiring Components - Component Boxes



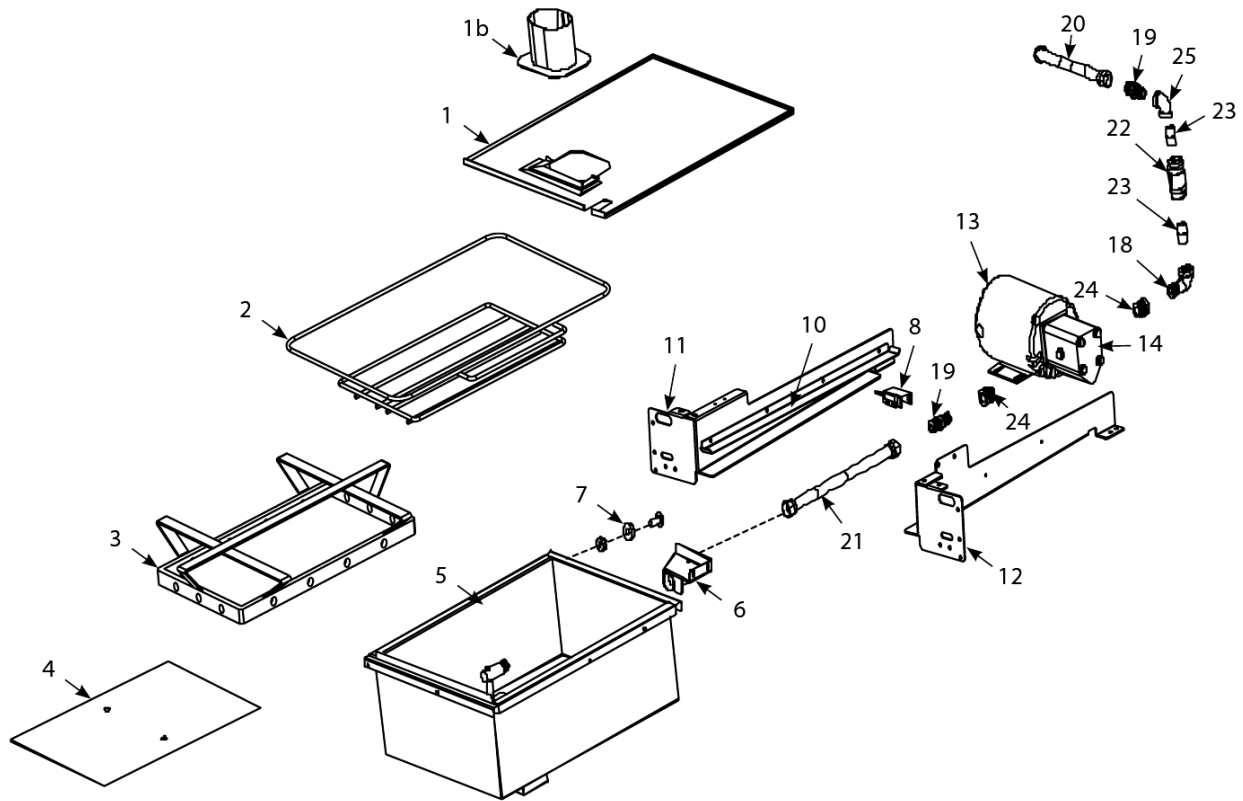
BIELA14 Series Gen II LOV Electric Fryers

Electronics and Wiring Components - Component Boxes

#	PART #	DESCRIPTION	QTY	Note
[5]	-	Used in FV component boxesRecommended Stock Part		
[6]	-	Used in DV component boxRecommended Stock Part		
[7]	-	Used in DV component box		
[8]	-	includes sound harnessRecommended Stock Part		
[9]	-	used for control power reset in right hand boxes only in domestic and Canadian unitsRecommended Stock Part		
[10]	-	resets control power; right hand boxes only in international units;one in each control box in some units.		
[11]	-	resets control power; located in box over JIB.		
[12]	-	includes terminal block, wires and connectors		

BIELA14 Series Gen II LOV Electric Fryers

Filtration System Components - Filtration Components



BIELA14 Series Gen II LOV Electric Fryers

Filtration System Components - Filtration Components

#	PART #	DESCRIPTION	QTY	Note
1	8237635	Lid, Multi-Vat Fryers, Standard Size Filter Pan	1	
1a	8237634	Lid, Two-Vat Fryer, Half Size Filter Pan	1	
1b	8237186	Guard, Pan Splash Lid	1	
2	8103276	Crumb Tray, Standard Size Filter Pan 3, 4 and 5 Vat	1	
2a	8103288	Crumb Tray	1	
3	8103268	Hold-Down Ring for Pad 16.56 x 22.32, Standard Size Pan 3, 4, and 5 Vat	1	
3a	8103289	Hold-Down Ring - 11.2 x 19.1	1	
4	2002240	SanaGrid Filter Screen, Standard Size Filter Pan	1	
4a	2202901	SanaGrid Filter Screen, Two-Vat Fryer, Half Size Filter Pan	1	
5	1080549SP	Pan, One-Piece Filter LOV Standard Size	1	
5a	1068211SP	Pan, Two-Vat Fryer, Half Size	1	
5b	8261392	O-Ring	5	[1]
5c	8130568	Plug, 0.125" SS NPT, Sq-Head	2	
6	8236715	Suction Tube Standard LOV™	1	
6a	8236399	Suction Tube Two Vat	1	[2]
7	8103007	Magnet - Ring	1	
8	1069251SP	Assembly, Filter Pan Switch Three Vat or more	1	
8a	1068080SP	Assembly, Filter Pan Switch Two Vat	1	
9	1065876SP	Magnet Sensor	1	
10	2303936	Rail, Filter Pan Retaining Standard	1	
11	2203748	Support, Left Filter Pan	1	
11a	2203275	Support, Left Filter Pan Two Vat	1	
12	2203749	Support, Right Filter Pan	1	
12a	1068487	Support, Right Filter Pan Two Vat	1	
13	8261785	Motor and Gasket Kit - 100V/50-60 Hz	1	
13a	8261712	Motor and Gasket Kit - 115V/50-60 Hz	1	[1]
13b	8261756	Motor and Gasket Kit - 208V/50-60 Hz	1	[1]
13c	8261270	Motor and Gasket Kit - 220-240V/50-60 Hz	1	
13d	8261755	Motor and Gasket Kit - 250V/50-60 Hz	1	
14	8263192	Pump Kit - 8 GPM	1	
15	8160093	Gasket - Pump/Motor	1	
16	80711973	Pump Seal Kit - Viking	1	
17	8091062	Cap Screw, 0.3125"-18 5.50" NC Hex	1	[3]
18	8130165	Elbow - 0.5" x 90° NPT Street	1	
19	8101668	Male Adaptor - 0.625" OD x 0.5"	1	
20	8101067	Flexline - Oil Return - 0.625" OD x 8.5" L	1	
21	8101057	Flexline - Oil Return - 13" L	1	
22	8100667	Valve, Check 0.5" 1 PSI	1	
23	8103738	Adaptor, Check Valve Close NPL	1	
24	8130031	Bushing, 0.75-inch NPT to 0.5-inch Reducer	1	
25	8130062	Elbow - 0.5" BM x 90°	1	
28	8071105	Heater Strip Assembly, 100-120V 25W 18"	1	
28a	8071098	Heater Strip Assembly, 240V, 25W 18"	1	
29	1082813	Oil Disposal Connection	1	[2]

Filtration System Components - Filtration Components

BIELA14 Series Gen II LOV Electric Fryers

Filtration System Components - Filtration Components

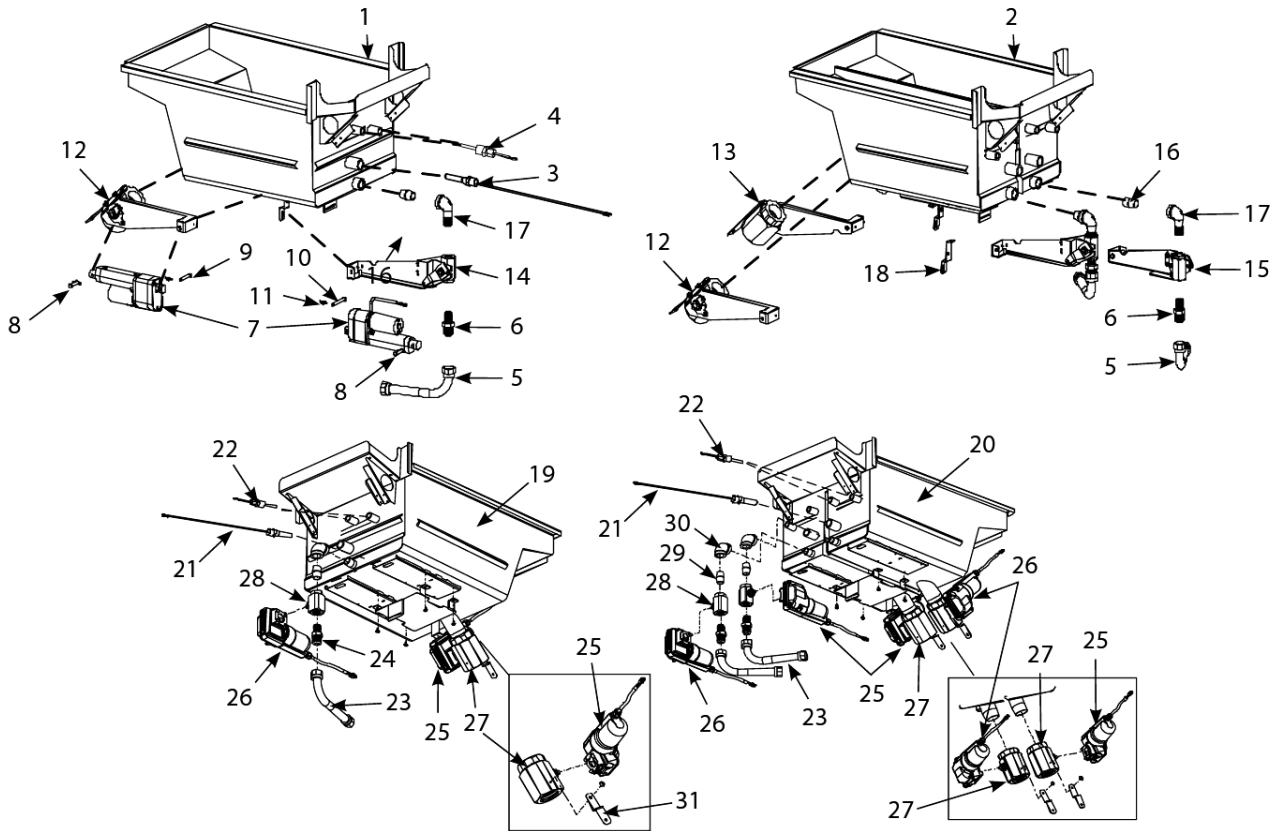
#	PART #	DESCRIPTION	QTY	Note
---	--------	-------------	-----	------

PART NOTES:

- [1] - Recommended Stock Part
- [2] - France Only
- [3] - Connects pump to motor.

BIELA14 Series Gen II LOV Electric Fryers

Frypot Assemblies and Associated Parts



Frypot Assemblies and Associated Parts

BIELA14 Series Gen II LOV Electric Fryers

Frypot Assemblies and Associated Parts

#	PART #	DESCRIPTION	QTY	Note
1	8237436SP	Frypot, Full-Vat LOV™	1	
2	8237437SP	Frypot, Dual-Vat LOV™	1	
3	8262454	Thermostat Assembly, High-Limit Long Standard, Non-CE Full Vat 425°F	1	[1]
3a	8261177	Thermostat, High-Limit 425°F/218°C	1	[2]
3b	8262456	Thermostat Assembly - High-Limit - 435°F	1	[3]
3c	8068035SP	High-limit Thermostat	1	[4]
3d	8262455	Thermostat Assembly - High-Limit - 415°F	1	[5]
3e	8068132	High-Limit Thermostat, CE other than 22kW	1	[6]
4	8262706	Probe Kit	1	[7]
5	8101067	Flexline - Oil Return - 0.625" OD x 8.5" L	1	
6	8101668	Male Adaptor - 0.625" OD x 0.5"	1	
7	8263295	Actuator, Linear AIF 24VDC Kit	1	[7]
8	8091012	Pin, Clevis, 0.25 x 1.25	1	[8]
9	8091035	Pin, Clevis, 0.25" x 2.25"	1	[9]
10	8091036	Pin, Clevis, 0.25 x 2	1	[10]
11	8101776	Cotter Pin, Toaster Ring	1	
12	1080698SP	Drain Valve Assembly - Right	1	
13	1080697SP	Drain Valve Assembly - Left	1	
14	1080700SP	Valve, Return Assy LOV™ FV or DV Right	1	
15	1080699SP	Return Valve Assembly - Left	1	
16	8130022	Nipple, 0.5" Close NPT BM	1	
17	8130165	Elbow - 0.5" x 90° NPT Street	1	
18	2205960	Strap, Elec LOV™ Actuator	1	
19	8237672	Frypot, Full-Vat LOV™	1	
20	8237673	Frypot, Dual-Vat LOV™	1	
20a	8237745	Frypot, Dual-Vat LOV™	1	[11]
21	8262454	Thermostat Assembly, High-Limit Long Standard, Non-CE Full Vat 425°F	1	[12]
21a	8067543	Thermostat	1	[13]
21b	8262456	Thermostat Assembly - High-Limit - 435°F	1	[14]
21d	8262455	Thermostat Assembly - High-Limit - 415°F	1	[15]
21e	8068132	High-Limit Thermostat, CE other than 22kW	1	[16]
22	8262706	Probe Kit	1	[17]
23	8101067	Flexline - Oil Return - 0.625" OD x 8.5" L	1	
24	8101668	Male Adaptor - 0.625" OD x 0.5"	1	
25	8074961	Actuator, Rotary 24VDC (#1) Blue	1	[9]
26	8074962	Actuator, Rotary 24VDC (#2) Black	1	[9]
27	8104353	Valve, 1.25 Drain Rotary Actuator	1	[9]
28	8103754	Valve, 0.5" NPT Rotary Actuator	1	[9]
29	8130022	Nipple, 0.5" Close NPT BM	1	
30	8130062	Elbow - 0.5" BM x 90°	1	
31	2207386	Elbow, 0.5" Blk 90° Strap, Round Drain Elec LOV	1	

PART NOTES:

- [1] - 218°C 17kW FV and 14kW FV
- [2] - 218°C 17kW FV and 14kW FV Color Coded Black

Frypot Assemblies and Associated Parts



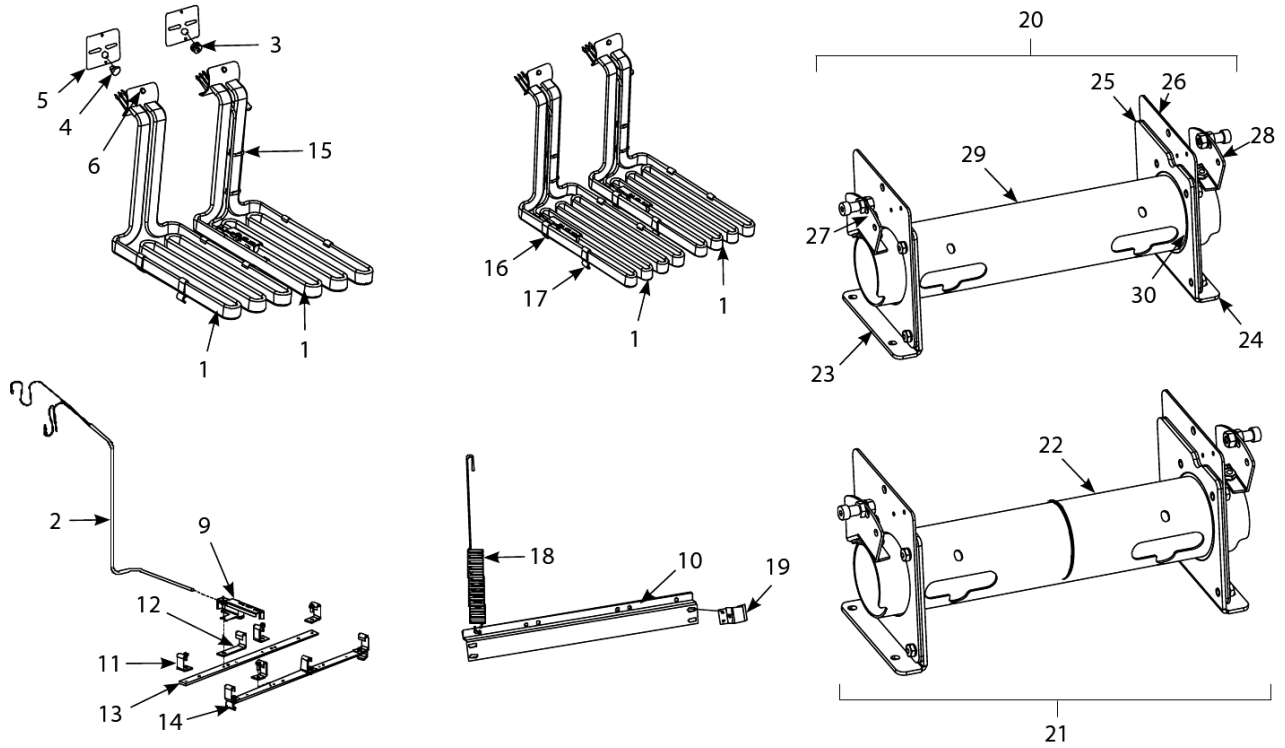
BIELA14 Series Gen II LOV Electric Fryers

Frypot Assemblies and Associated Parts

#	PART #	DESCRIPTION	QTY	Note
[3]	-	224°C 22kW,17kW DV and 14 kW DV		
[4]	-	224°C 22kW,17kW DV and 14 kW DV Color Coded Red		
[5]	-	213°C 14kW and 17kW CE		
[6]	-	Color-Coded Yellow 213°C 14kW and 17kW CE Color-Coded Yellow Color-Coded Yellow		
[7]	-	Recommended Stock Part		
[8]	-	Drain and return valves		
[9]	-	center pin drain actuator		
[10]	-	center pin return actuator		
[11]	-	Hybrid Fish Vat		
[12]	-	218°C17kW FV and 14kW FV		
[13]	-	218°C17kW FV and 14kW FVColor Coded Black		
[14]	-	224°C22kW,17kW DV and 14 kW DV		
[15]	-	224°C22kW,17kW DV and 14 kW DVColor Coded Red		
[16]	-	Color-Coded Yellow 213°C14kW and 17kW CE		
[17]	-	213°C14kW and 17kW CEColor-Coded YellowRecommended Stock Part		

BIELA14 Series Gen II LOV Electric Fryers

Heating Element Assemblies and Associated Parts



Heating Element Assemblies and Associated Parts

BIELA14 Series Gen II LOV Electric Fryers

Heating Element Assemblies and Associated Parts

#	PART #	DESCRIPTION	QTY	Note
1	8262198	Element Kits - 200V - 17.0 kW	1	[1]
1a	8262192	Element Kits - 208V - 17.0 kW	1	[2]
1b	8262200	Element Kits - 220V - 17.0 kW	1	[3]
1c	8262193	Element Kits - 230V - 17.0 kW	1	[4]
1d	8262199	Element Kits - 230V - 18.5 kW	1	[5]
1e	8262194	Element Kits - 240V - 17.0 kW	1	[4]
1f	8262196	Element Kits - 480V - 17.0 kW	1	[4]
2	8262212	Temperature Probe Kit	1	[6]
3	8160681	Grommet, Probe	1	
4	8160480	Plug, .375-inch Dome	1	
5	8160688	Gasket, Element	1	
6	8091003	Screw - #10-32 x 0.375" Hex Trim Head SS	1	
7	8090766	Nut, 10-32 Keps Hex SS	1	
8	2304028	Wrench, Element Tube Nut Spanner	1	
9	2303714	Bracket, Temperature Probe 7.0 kW	1	
9a	2300784	Bracket - Temperature Probe 8.5/11 kW	1	[7]
10	2200464	Bracket, Lower Spring	1	
11	9102042	Clamp, Element	1	[8]
12	2300781	Key Operated Switch Ice With Keys	1	[9]
13	2304902	Support, Full-Vat Element Rear	1	
14	2304101	Support, Full-Vat Element Front	1	
15	8090567	Tie-Wrap - Metal	1	
16	2304903	Support, Dual-Vat Element Rear Dual Vat	1	
16a	2308163	Support, Dual-Vat Element Bottom Rear	1	[10]
17	2304103	Support, Dual-Vat Element Front Dual Vat 14kW	1	
18	8103030	Spring, Element Lift Left	1	
18a	8103131	Spring, Element Lift Right	1	
19	2200733	Bracket, Lower Spring Mating	1	
20	1080297SP	Tube Assembly, Full-Vat 14kW	1	
21	1080298SP	Tube Assembly Dual-Vat 14kW	1	
22	8103246	Bushing and Tube Assembly, Dual-Vat	1	
23	1080315	Bracket Assembly, LH Element Tube Support	1	
24	1080316	Bracket Assembly, RH Element Tube Support	1	
25	2200122	Plate, Element Tube Support Inner	1	
26	2200123	Plate, Element Tube Support Outer	1	
27	1067651SP	Bracket Assembly, LH Upper Spring	1	
27a	1066569	Bracket Assembly, LH Upper Spring	1	[11]
28	1067652SP	Bracket Assembly, RH Upper Spring	1	
28a	1066570	Bracket Assembly, RH Upper Spring	1	[11]
29	8102992	Tube, Full Vat Element Mounting	1	
30	8102993	Bushing, Tube End Teflon	1	
31	8262598	Kit, Tilt Switch	1	
32	8074742	Switch, Long Lever High Temp	1	

PART NOTES:

- [1] - includes gaskets, grommets, tie wraps, screws and nuts
220V 8.5kW used in some export 3-phase 4-wire WYE units

Heating Element Assemblies and Associated Parts

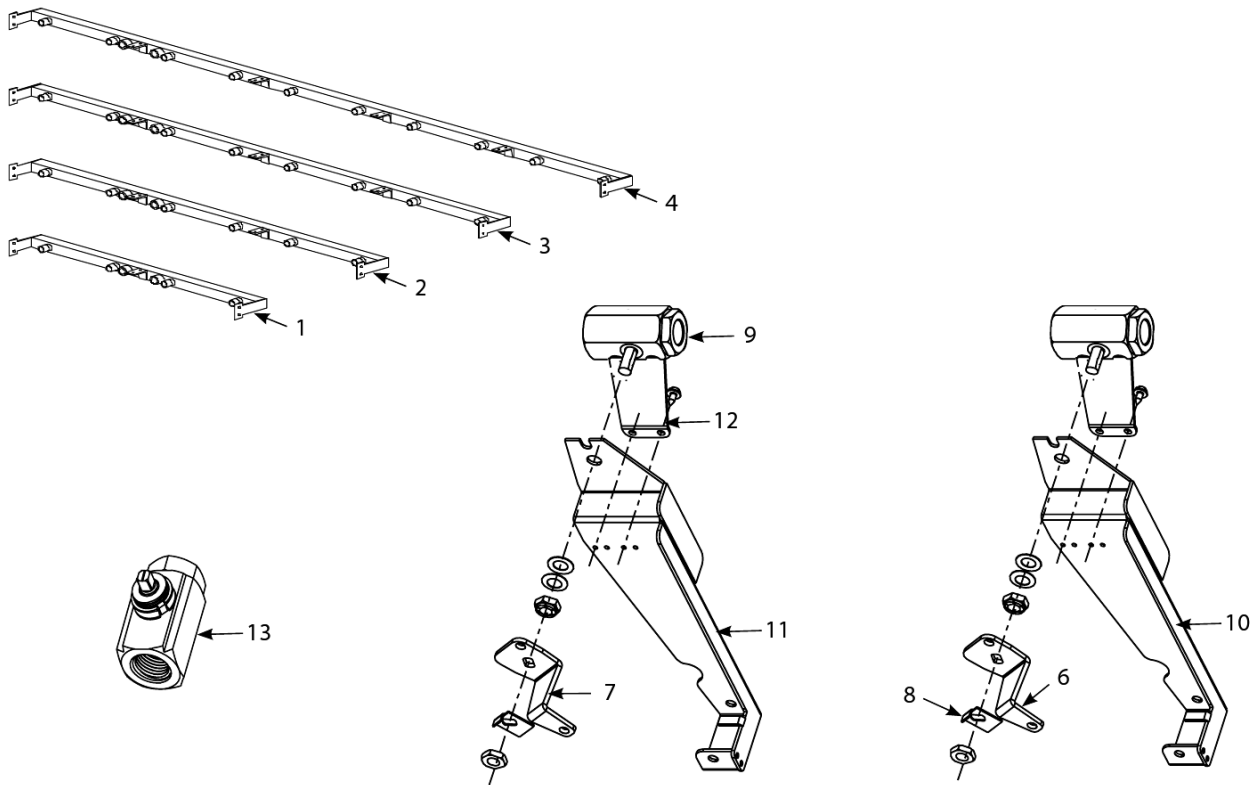
BIELA14 Series Gen II LOV Electric Fryers

Heating Element Assemblies and Associated Parts

#	PART #	DESCRIPTION	QTY	Note
[2]	-	includes gaskets, grommets, tie wraps, screws and nuts Recommended Stock Part		
[3]	-	includes gaskets, grommets, tie wraps, screws and nuts 240V 8.5kW used in some export 3-phase 4-wire WYE units		
[4]	-	includes gaskets, grommets, tie wraps, screws and nuts		
[5]	-	includes gaskets, grommets, tie wraps, screws and nuts used in some export 3-phase 4-wire WYE units		
[6]	-	Recommended Stock Part		
[7]	-	used in some export 3-phase 4-wire WYE units		
[8]	-	Short Short		
[9]	-	Long		
[10]	-	fish vat		
[11]	-	17kW		

BIELA14 Series Gen II LOV Electric Fryers

Oil Return Manifolds, Valves and Associated Parts



Oil Return Manifolds, Valves and Associated Parts

BIELA14 Series Gen II LOV Electric Fryers

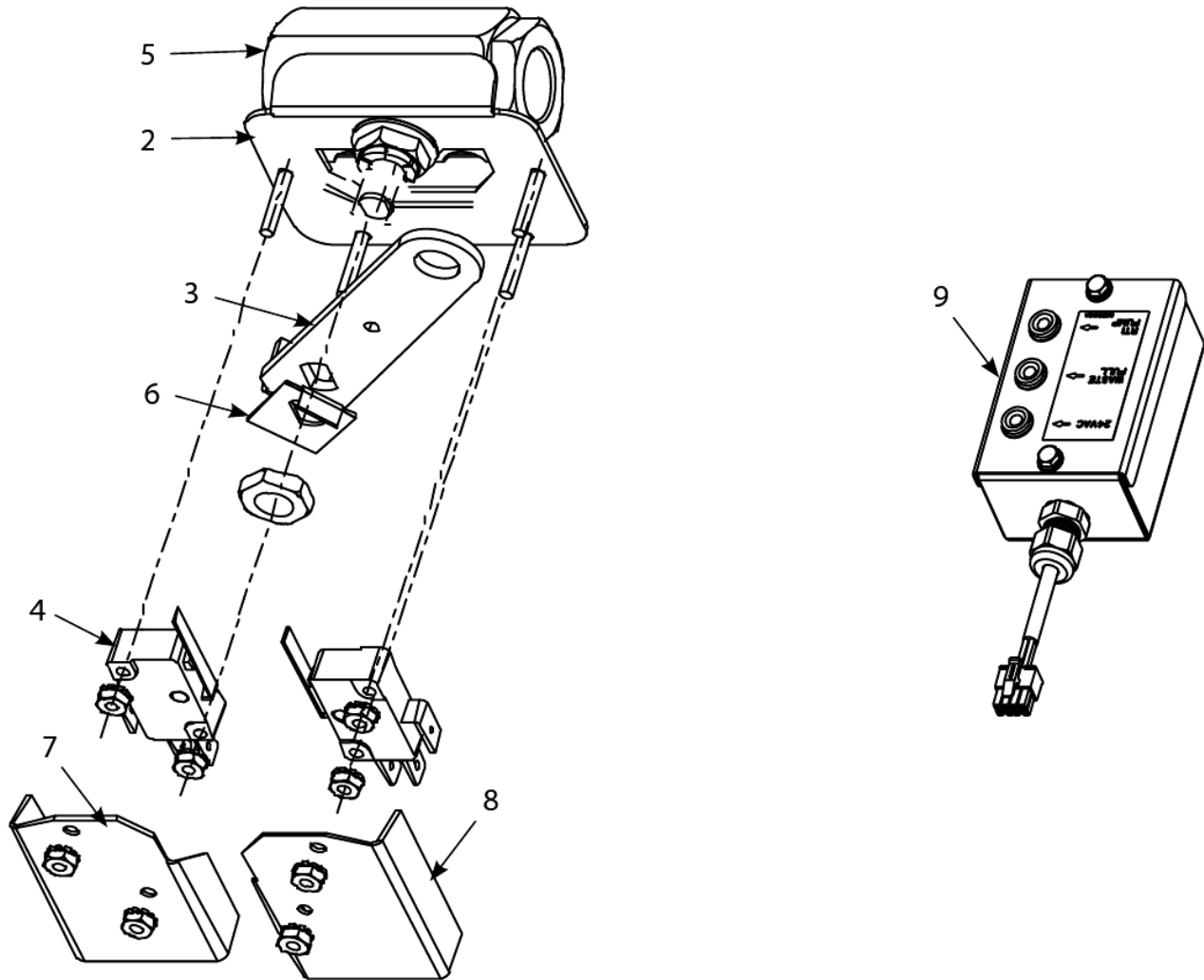
Oil Return Manifolds, Valves and Associated Parts

#	PART #	DESCRIPTION	QTY	Note
1	8103015	Manifold, Two-Station Fryer	1	
2	8103016	Manifold, Three-Station Fryer	1	
3	8103017	Manifold, Four-Station Fryer	1	
4	8103018	Manifold, Five-Station Fryer	1	
5	8130907	Cap, 0.9375-inch Valve Safety	1	
6	2325702	Handle, Return Valve with Locator FV or DV Right	1	
7	2315702	Handle, Return Valve with Locator DV Left	1	
8	9002935	Retainer, Nut Oil Return Valve	1	
9	8102201	Valve, Return 0.5" Ball LT	1	
10	8237233	Mount, Return Actuator Right	1	
11	8237232	Mount, Return Actuator Left	1	
12	2305963	Brace, Return Actuator Bracket	1	
13	8103754	Valve, 0.5" NPT Rotary Actuator	1	

Oil Return Manifolds, Valves and Associated Parts

BIELA14 Series Gen II LOV Electric Fryers

RTI - RTI Dispose Waste Valve and RTI Test Box



RTI - RTI Dispose Waste Valve and RTI Test Box

BIELA14 Series Gen II LOV Electric Fryers

RTI - RTI Dispose Waste Valve and RTI Test Box

#	PART #	DESCRIPTION	QTY	Note
1	1080446SP	Valve, RTI Waste Assembly	1	
2	1080445	Bracket, Waste Valve	1	
3	2205615	Handle, Waste Valve	1	
4	8074936	Switch, Micro Gold Plated	1	
5	8100278	Valve, 0.5" Ball	1	
6	9002935	Retainer, Nut Oil Return Valve	1	
7	9012348	Cover, Dual-Vat Left Drain Safety Switch	1	
8	9022348	Cover, DV Safety Switch	1	
9	1080716SP	Box, Bulk Test	1	[1]

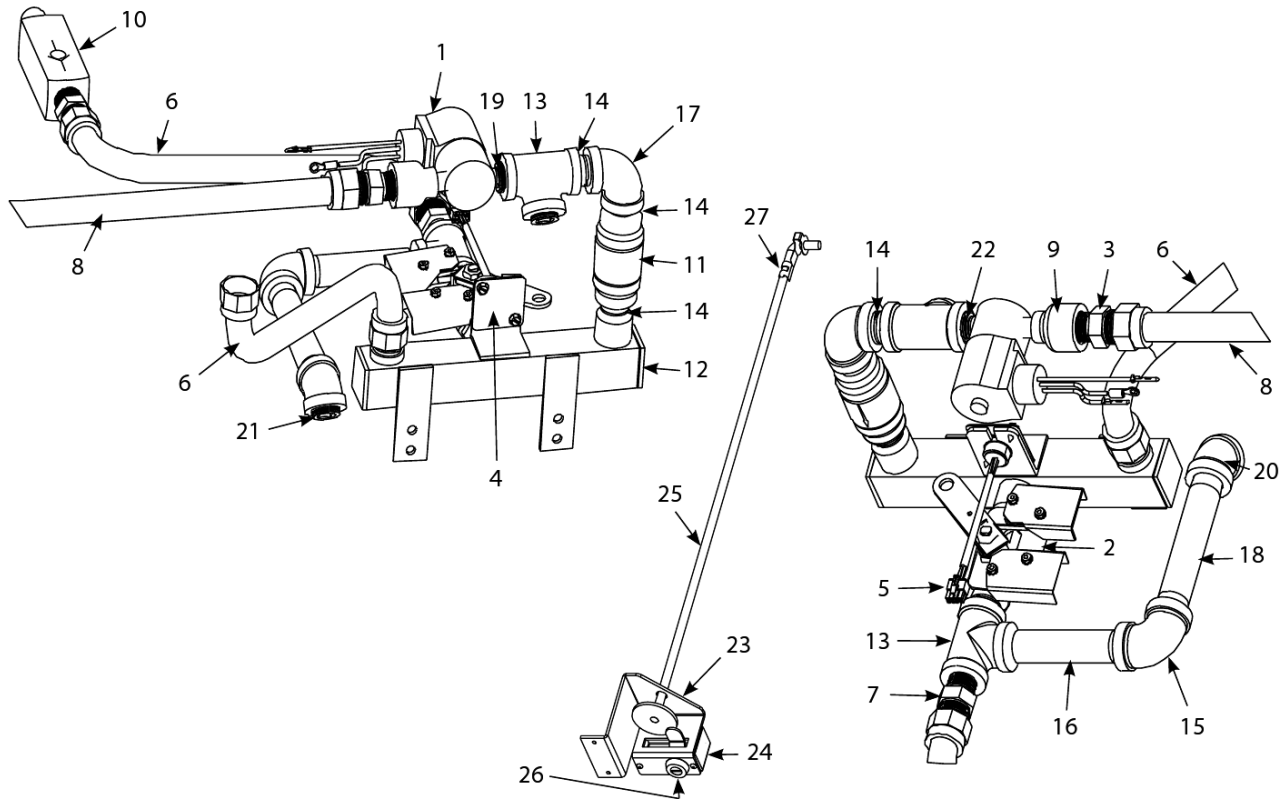
PART NOTES:

[1] - Recommended Stock Part

RTI - RTI Dispose Waste Valve and RTI Test Box

BIELA14 Series Gen II LOV Electric Fryers

RTI - RTI Manifold and Accessories



RTI - RTI Manifold and Accessories

BIELA14 Series Gen II LOV Electric Fryers

RTI - RTI Manifold and Accessories

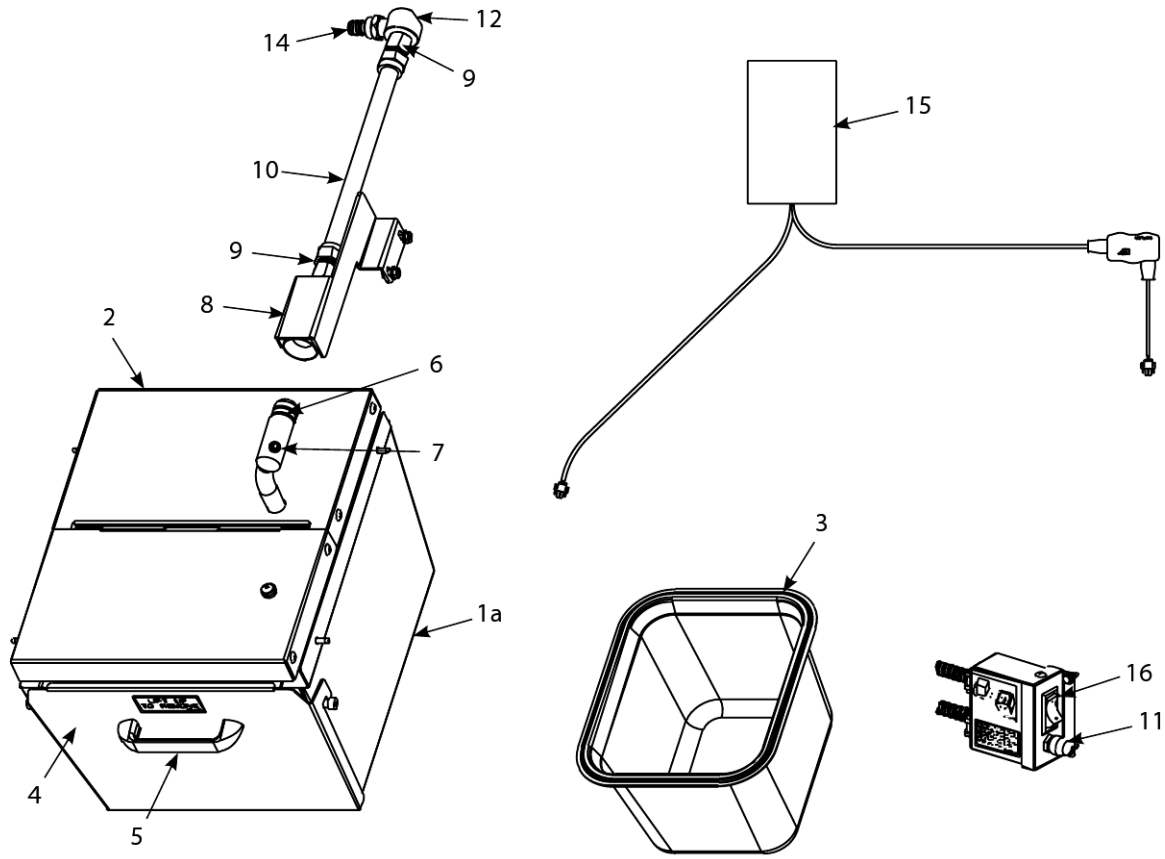
#	PART #	DESCRIPTION	QTY	Note
1	1066830SP	Solenoid Assembly	1	[1]
2	1080446SP	Valve, RTI Waste Assembly	1	
3	8101668	Male Adaptor - 0.625" OD x 0.5"	1	
4	2205658	Cover, RTI Dust Plug	1	
5	8074760	Harness, RTI – MIB connection	1	
6	8101057	Flexline - Oil Return - 13" L	1	
7	8101668	Male Adaptor - 0.625" OD x 0.5"	1	
8	8101069	Flexline - 0.625" OD x 29.5" L	1	
9	8130555	Reducer, Bell 0.5" to 0.25" NPT BM	1	
10	8103531	Valve, Check 20 PSI	1	
11	8103583	Check Valve - 4 psi	1	
12	8103596	Manifold	1	
13	8130003-FRY	Tee - 0.5" NPT	1	
14	8103738	Adaptor, Check Valve Close NPL	1	
15	8130062	Elbow - 0.5" BM x 90°	1	
16	8130093-FRY	Nipple - 0.5" NPT x 4"	1	[2]
17	8130062	Elbow - 0.5" BM x 90°	1	
18	8130281-FRY	Nipple - 0.5" NPT x 5"	1	
19	8130304	Bushing, 0.5-inch NPT to 0.25-inch NPT Flush Reducing	1	
20	8130345	Elbow, 0.5" x 45° BM NPT	1	
21	8130336	Plug, 0.5-inch NPT SS	1	
22	8130838	Nipple - 0.25" NPT	1	
23	2205656	Brace, Handle	1	
24	2205657	Cover, Handle	1	
25	8237142	Handle, Waste Pull	1	
26	8103587	Lock and Key, Waste Handle	1	
27	8090601	Clip, Clevis	1	

PART NOTES:

- [1] - Recommended Stock Part
- [2] - replaces Item 11 in some models

BIELA14 Series Gen II LOV Electric Fryers

Shortening Melting Unit



Shortening Melting Unit

BIELA14 Series Gen II LOV Electric Fryers

Shortening Melting Unit

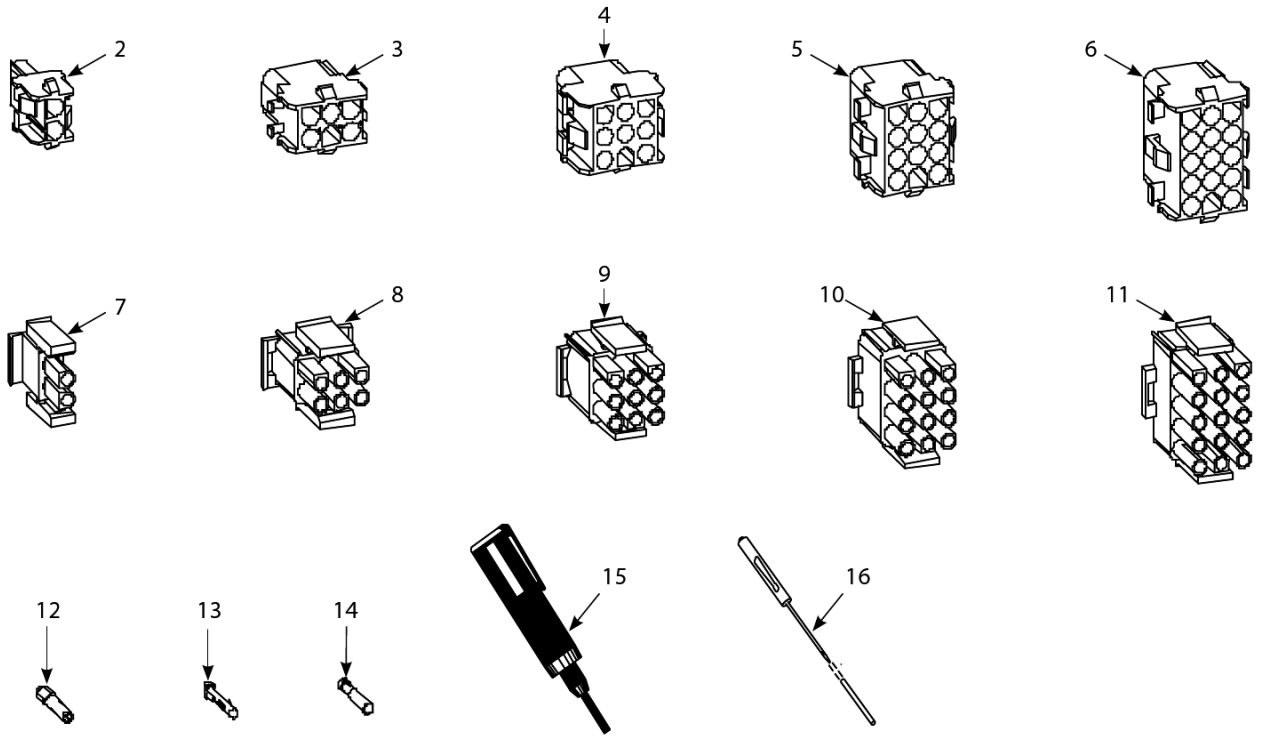
#	PART #	DESCRIPTION	QTY	Note
1	1083406	Assembly, Heated Shortening	1	
1a	1082983SP	Box Assembly, Heated Shortening	1	
2	1083001	Trunnion Support	1	
3	8103957	Pan, Heated Shortening	1	
4	1083372	Cover, Shortening Box Front	1	
5	8100180	Handle	1	
6	8261392	O-Ring	5	[1]
7	8130568	Plug, 0.125" SS NPT, Sq-Head	1	
8	8238079	Bracket W/A, Shortening Suction 3 battery	1	
8a	8238147	Bracket W/A, Shortening Suction 4 battery	1	
9	8101669	Female Adaptor - 0.875" OD x 0.5"	1	
10	8101055	Flexline - 0.625" OD x 11.5" L	1	[1]
11	8071321	Holder, Fuse	1	
11a	8071555	Fuse 5 Amp	1	
12	8130908	Adapter, 0.5" NPT 90°	1	
13	8103820	Fitting, Quick Connect Shurflo Pump	1	
14	8160782	O-Ring, Viton #111	1	[1]
15	8075268	Strips, Hot Box Heater with controller	1	
16	8074036	Switch	1	
17	8071098	Heater Strip Assembly, 240V, 25W 18"	1	
18	8071419	Heater Strip Assembly, 240V, 45W 36"	1	
19	8071473	Heater Strip Assembly, 240V, 70W 56"	1	

PART NOTES:

[1] - Recommended Stock Part

BIELA14 Series Gen II LOV Electric Fryers

Wiring Connectors, Pin Terminals, Power Cords and Fasteners



Wiring Connectors, Pin Terminals, Power Cords and Fasteners

BIELA14 Series Gen II LOV Electric Fryers

Wiring Connectors, Pin Terminals, Power Cords and Fasteners

#	PART #	DESCRIPTION	QTY	Note
1	8070154	Power Cord - 120V w/Ground Plug	1	[1]
1a	8074317	Cord, Power – Euro 3-Wire 230/240V	1	
1b	8071685	Power Cord - 450V - 18A - 110-inch, 3-wire, 16-gauge	1	
1c	8074316	Power Cords, 120V 5-wire, w/grounded plug BIRE/MRE	1	
1d	8073817	Power Cord - 208-250V/3 Ph - 74A - 96" - 4-wire w/plug 8 awg	1	
1e	8075105	Power Cord - 208-240V/3 Ph - 105" - 4-wire w/ground plug CE 4 battery or larger	1	
2	8071068	2-Pin Female	1	
3	8070158	6-Pin Female	1	
4	8070156	9-Pin Female	1	
5	8070159	12-Pin Female	1	
6	8070875	15-Pin Female	1	
7	8071067	2-Pin Male	1	
8	8070157	6-Pin Male	1	
9	8070155	9-Pin Male	1	
10	8070160	12-Pin Male	1	
11	8070804	15-Pin Male	1	
12	8261341	Terminal, Female Split Pin	25	
13	8261342	Terminal, Male Split Pin	25	
14	8072518	Plug, Mate-N-Lock	1	[2]
15	8070928	Extract Tool Pin Pusher	1	
16	8064855	Pin Pusher Screwdriver Assy	1	
17	2302345	SMT Pin Extractor	1	
18	8074660PK	SMT Pin Service Repair Kit	1	
19	8090429	Bolt - 0.25"- 20 x 2.00" Hex Head ZP Tap	1	
19a	8261389	Screw - 0.25"-20 x 0.75" Hex Head ZP	1	
20	8091020	Cap Screw, 0.3125"-18 5.50" NC Hex	1	[3]
21	8090448	Clip, Tinnerman	1	
22	8261366	Nut - #4-40 Keps Hex	1	
22a	8261366	Nut - #4-40 Keps Hex	25	
22b	8261358	Nut, 6-32 Keps Hex	1	
22d	8090247	Nut - #8-32 Keps Hex	1	
22e	8261376	Nut - #10-32 Keps Hex	1	
22g	8090766	Nut, 10-32 Keps Hex SS	1	
22h	8090581	Nut, 0.5 NPT Locking	1	
22i	8090020	Nut Cap 10-24 NP	1	
22j	8261372	Nut Grip 0.25-inch 0.25-20 Hex NP	1	
22l	8261368	Nut - 0.25-20 Serrated Flange	1	
22m	8090535	Nut, "T" 0.25-inch-20 x 0.4375 SS	1	
22n	8090495	Nut, 0.25-inch - 20 Press	1	
22o	8090540	Nut, Lock 0.5-inch-13 Hex 2-Way ZP	1	
23	8261359	Screw - #4-40 x 0.75" Slotted Round Head	1	
23b	8261365	Screw, 6-32 x 0.375-inch Slot Head	1	
23d	8090357	Screw, 6 x 0.375-inch Phillips Head NP	1	
24	8090359	Screw, 8 x 0.25-inch Hex Washer Head	1	
24a	8090360	Screw, 8 x 0.375-inch Hex Washer Slot Head	1	

Wiring Connectors, Pin Terminals, Power Cords and Fasteners

BIELA14 Series Gen II LOV Electric Fryers

Wiring Connectors, Pin Terminals, Power Cords and Fasteners

#	PART #	DESCRIPTION	QTY	Note
24b	8261371	Screw - #8 x 0.5" Hex Head ZP	1	
24d	8090364	Screw - #8 x 0.625" Hex Washer Head ZP	1	
24e	8090518	Screw, 8-32 x 0.375-inch Hex Washer Slotted Head SS	1	
24f	8090104	Screw, 8-32 x 0.5-inch Slotted Head ZP	1	
24g	8261363	Screw - #8-32 x 0.5" NP	1	
25	8261360	Screw - #10-24 x 0.3125" Round Slot Head ZP	1	
25b	8261330	Screw, 10-32 x 0.375-inch Slot Head SS	1	
25d	8091003	Screw - #10-32 x 0.375" Hex Trim Head SS	1	
25e	8090270	Screw, 10-32 x 0.5-inch Phillips Head ZP	1	
25f	8261375	Screw - #10-32 x 0.75" - Hex Trim Head SS	1	
25h	8091000	Screw - #10-32 x 1.25" - Hex	1	
25i	8261374	Screw - #10 x 0.5" Hex Head	1	
25k	8090266	Screw, 10 x 0.5-inch Phillips Head ZP	1	
25l	8090475	Screw - #10-32 x 0.3125" Hex	1	
25m	8090123	Screw - #10 x 0.75" - Slot Head	1	
26	8261389	Screw - 0.25"-20 x 0.75" Hex Head ZP	1	
27	8090582	Washer 0.5 NPT Locking	1	
27a	8090184	Washer, #10 LK ZP	1	
27b	8090190	Washer, .625 X .275 X 40 Flat SS	1	
27c	8090191	Washer, Lock 0.25 Spring ZP	1	
27d	8090193	Flat Washer - 0.25" Nylon	1	
27e	8090194	Flat Washer - 0.3125" ZP	1	

PART NOTES:

- [1] - w/o Terminals or Clamp
- [2] - Dummy Pin
- [3] - Connects pump to motor.