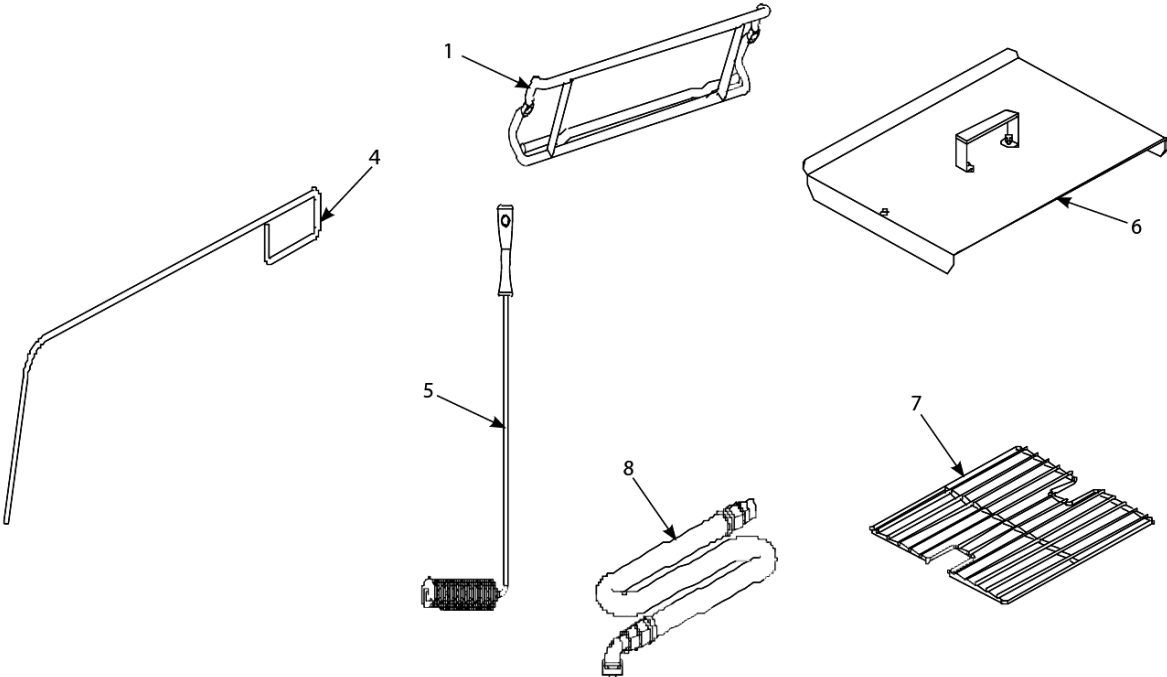


# BIGL30 Manual LOV SERIES GAS FRYER

## Accessories



# BIGL30 Manual LOV SERIES GAS FRYER

## Accessories

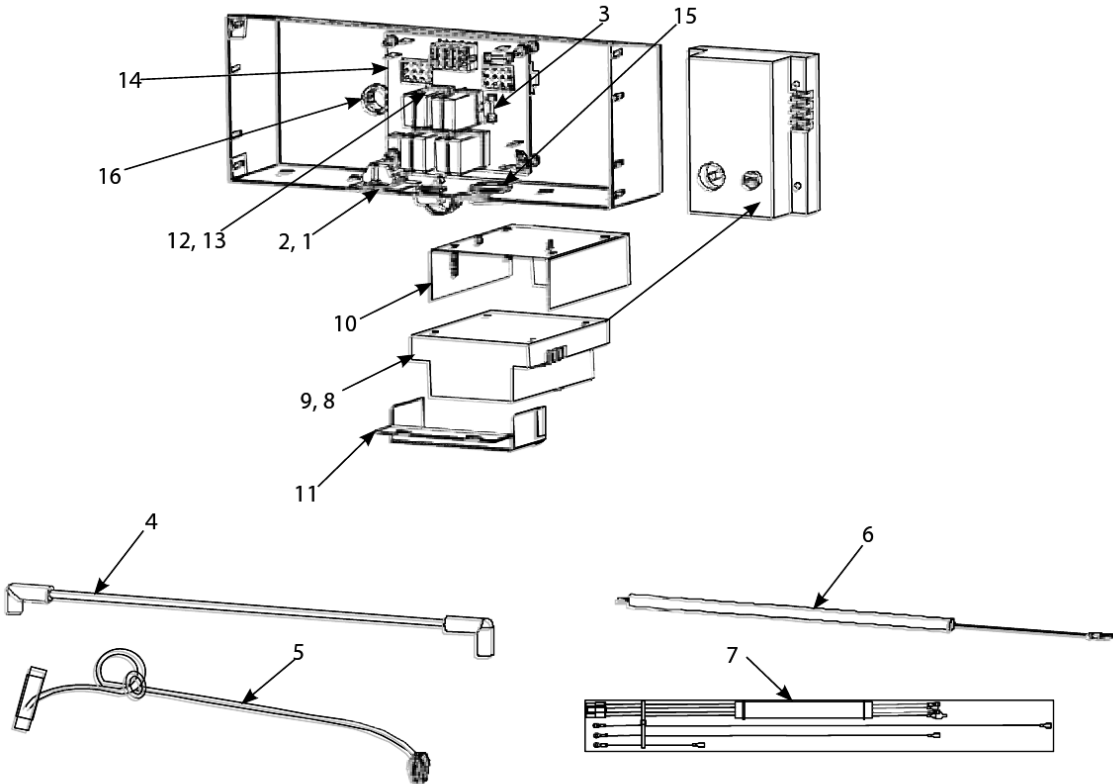
#	PART #	DESCRIPTION	QTY	Note
1	8102793	Hanger - Wireform Basket	1	[1]
2	8090171	Thumbscrew, 0.25-20 x 1.375-inch	1	
2a	8090921-FRY	Spacer, Basket Hanger	1	[2]
3	8090402	Thumbscrew - 0.25"-20 x 0.5"	1	
4	8030197	Fryer's Friend	1	
5	8030429	Brush, Frypot	1	
6	1068930	Cover, Full-Vat Frypot	1	
6a	1068931	Cover, Dual-Vat Frypot	1	[3]
6b	8260993SP	Handle Kit, Frypot Cover	1	[4]
7	8030375	Rack, Full-Vat Basket Support	1	
7a	8030372	Rack, Dual-Vat Basket Support	1	[5]
8	8100478	Gas Line, 1-Inch Dormont Flexible	1	

### PART NOTES:

- [1] - with .330-inch mounting holes
- [2] - for Spacer
- [3] - for Dual-Vat Cover
- [4] - includes handle and screws
- [5] - for Dual-Vat Basket Support

# BIGL30 Manual LOV SERIES GAS FRYER

## Control Box



# BIGL30 Manual LOV SERIES GAS FRYER

## Control Box

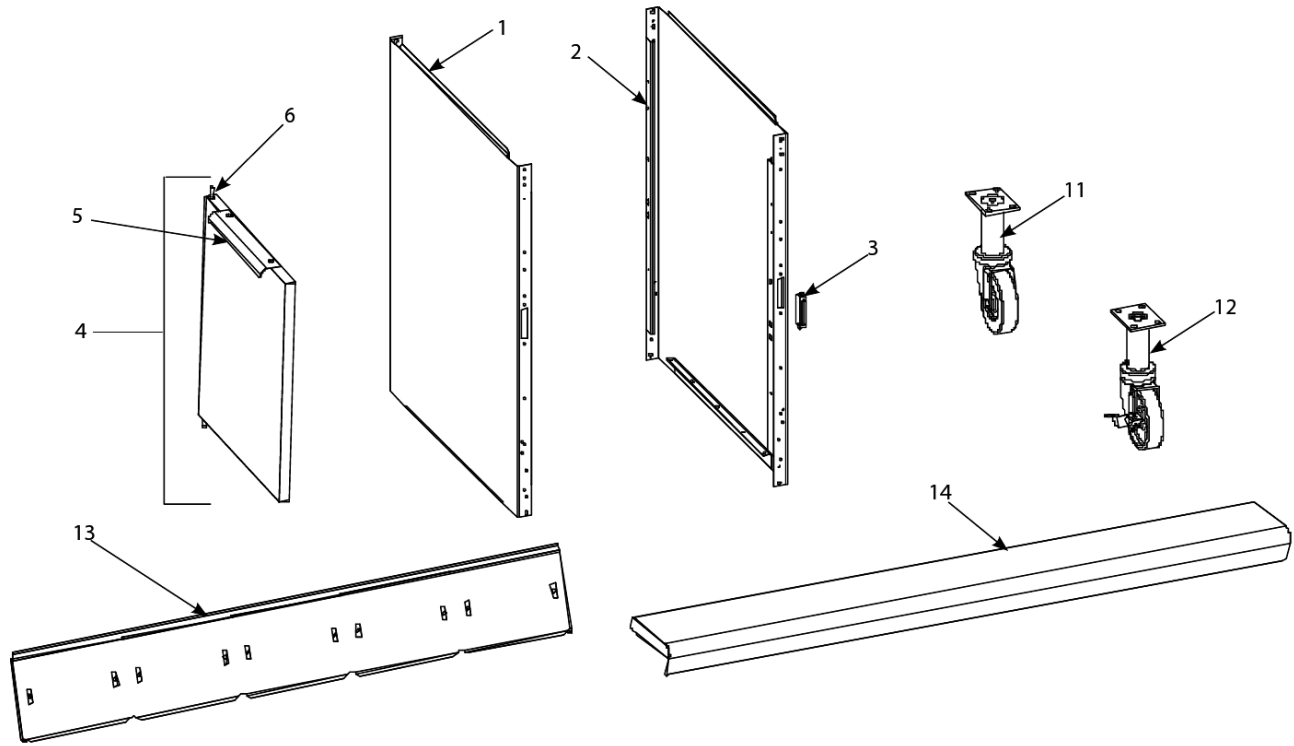
#	PART #	DESCRIPTION	QTY	Note
1	8101164	Block, One-Piece Screwless Terminal	1	
2	8160217	Insulation, Terminal Block Paper	1	
3	8073843	Fuse 3A 250V Domestic	1	[1]
4	8075008	Ignition Cable - 21"	1	[2]
5	8074199	Cable, 20-pin Controller to 15-pin Interface Board – SMT for fryer's with CM 3.5 controller.	1	
6	8066085SP	Wire Assembly, Ignitor	1	
7	1082353SP	Wire Assembly, Ignition Module CE	1	
7a	1081260SP	Wire Assembly, Ignition Module Domestic and Non-CE export, except Australia.	1	
8	8263271	Ignition Module	1	[1]
9	1060531SP	Fuse Assembly, Inline	1	[3]
10	1081094SP	Plate, Ignition Module	1	
11	8242091	Cover, Ignition Module CE	1	
12	8070833	Relay, DPDT 5A 12VDC Latch	1	[1]
13	8102243	Spring, Relay Retaining	1	
13a	8072659	Switch, Momentary	1	[4]
13b	8071683	Relay, 12VDC Secondary Blower Fan to cool frypot	1	
14	8262264	Interface Board Kit SMT	1	[1]
14a	8074343	Wire Harness, SMT Interface Board to Ignition Module	1	
15	8072469	Heyco Bushing - 1" ID	1	
16	8100045	Bushing, .875 Dia. Hole 0.6875"	1	

### PART NOTES:

- [1] - Recommended Stock Part
- [2] - Recommended Stock PartCE
- [3] - not used on all models
- [4] - Control Power Reset, only used in far left component box

# BIGL30 Manual LOV SERIES GAS FRYER

## Doors, Sides, Flue Caps, Top Caps and Casters



# BIGL30 Manual LOV SERIES GAS FRYER

## Doors, Sides, Flue Caps, Top Caps and Casters

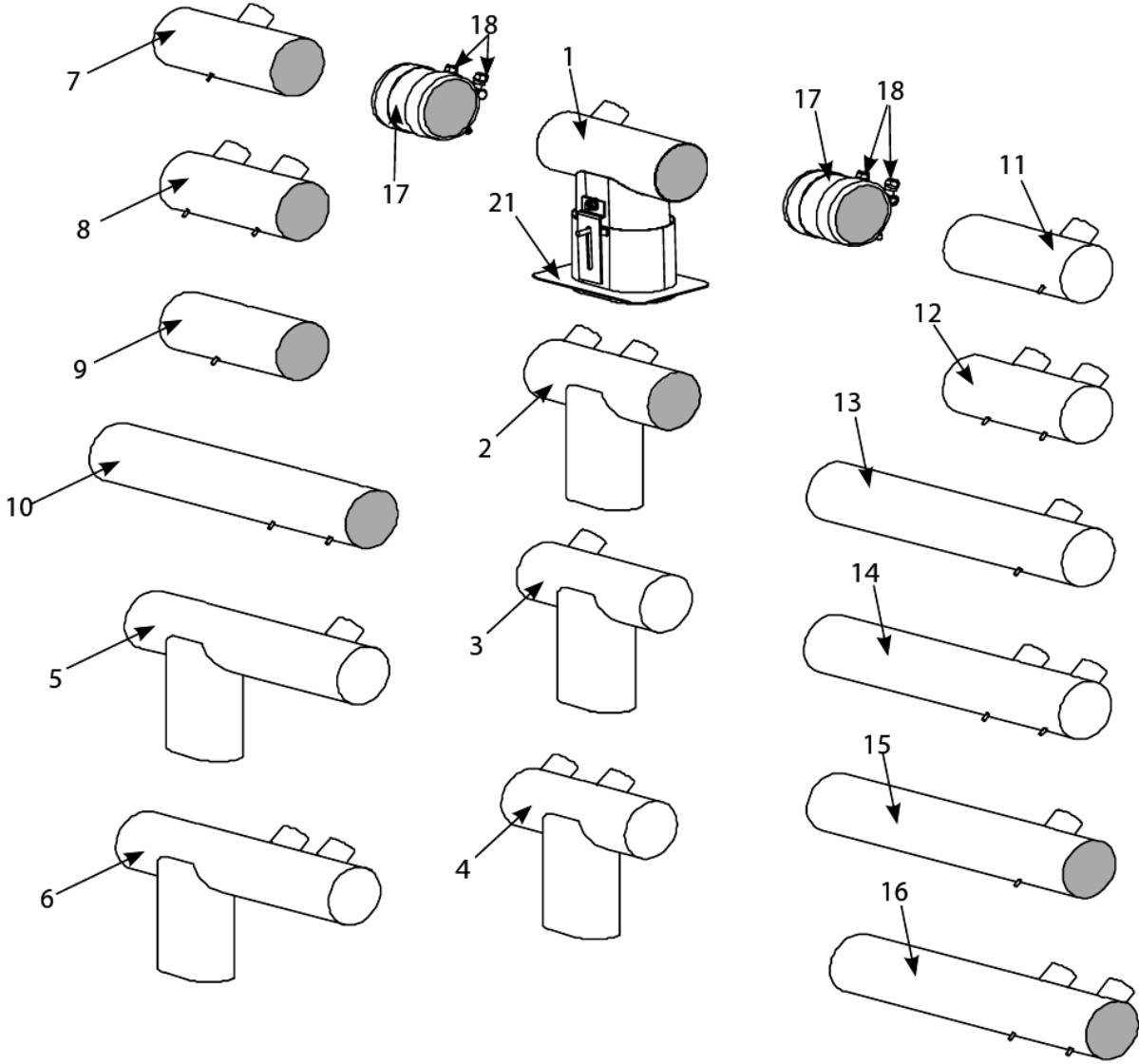
#	PART #	DESCRIPTION	QTY	Note
1	2317908	Side, Standard Cabinet Left SS	1	
2	2327908	Side, Standard Cabinet Right SS	1	
3	8101105	Door Magnet - Vertical	1	[1]
3a	8102346	Door Magnet - Horizontal	1	[2]
4	1064397	Door - Left/Right	1	[3]
4a	1080915	Burner Box Bottom	1	[4]
5	2304960	Handle, Eurolook Door	1	
6	1064067SP	Door Pin Assembly	1	
7	8261343	Spring - Door Pin Hinge	1	
8	2307192	Hinge, Door Lower	1	
9	2108288	Panel, Universal Door	1	
10	2206097	Holder, Manual	1	
11	8100327	Caster 4" without Brake	1	
12	8100944	Caster 3" with Brake	1	
13	8237656	Flue Cap-Stainless Steel ,Two Station Fryer	1	
13a	8236666	Flue Cap-Stainless Steel,Two Station Fryer	1	[5]
13b	2302635	Flue Cap-Stainless Steel,Two Station Fryer	1	[6]
13c	8238927	Flue Cap-Stainless Steel,Three Station Fryer	1	
13d	8236681	Flue Cap-Stainless Steel, Three Station Fryer	1	[5]
13e	2302405	Flue Cap-Stainless Steel , Three Station Fryer	1	[6]
13f	8237658	Flue Cap-Stainless Steel , Four Station Fryer	1	
13g	8236680	Flue Cap-Stainless Steel, Four Station Fryer	1	[5]
13h	2302636	Flue Cap-Stainless Steel, Four Station Fryer	1	[6]
13i	8238064	Flue Cap-Stainless Steel , Five Station Fryer	1	
13j	8238100	Flue Cap-Stainless Steel , Five Station Fryer	1	[5]
13k	2302637	Flue Cap-Stainless Steel , Five Station Fryer	1	[6]
14	8241913	Top Cap (Cap for 5-station fryer shown), Two Station Fryer	1	
14a	8236635	Top Cap (Cap for 5-station fryer shown),Three Station Fryer	1	
14b	8236636	Top Cap (Cap for 5-station fryer shown),Four Station Fryer	1	
14c	1083030	Top Cap (Cap for 5-station fryer shown),Five Station Fryer	1	
15	8237659	Cap-N-Splash Assemblies, Two Station Fryer	1	
15a	8237660	Cap-N-Splash Assemblies, Three Station Fryer	1	
15b	8237661	Cap-N-Splash Assemblies, Four Station Fryer	1	
15c	8238101	Cap-N-Splash Assemblies, Five Station Fryer	1	

### PART NOTES:

- [1] - vertical
- [2] - verticalfor horizontal over filter pan
- [3] - Left shown – move handle to bottom for right
- [4] - Left shown – move handle to bottom for right for Door w/ Manual Holder
- [5] - for Aluminized Steel
- [6] - for Hood Strip

# BIGL30 Manual LOV SERIES GAS FRYER

## Drain Tube Sections and Associated Parts



# BIGL30 Manual LOV SERIES GAS FRYER

## Drain Tube Sections and Associated Parts

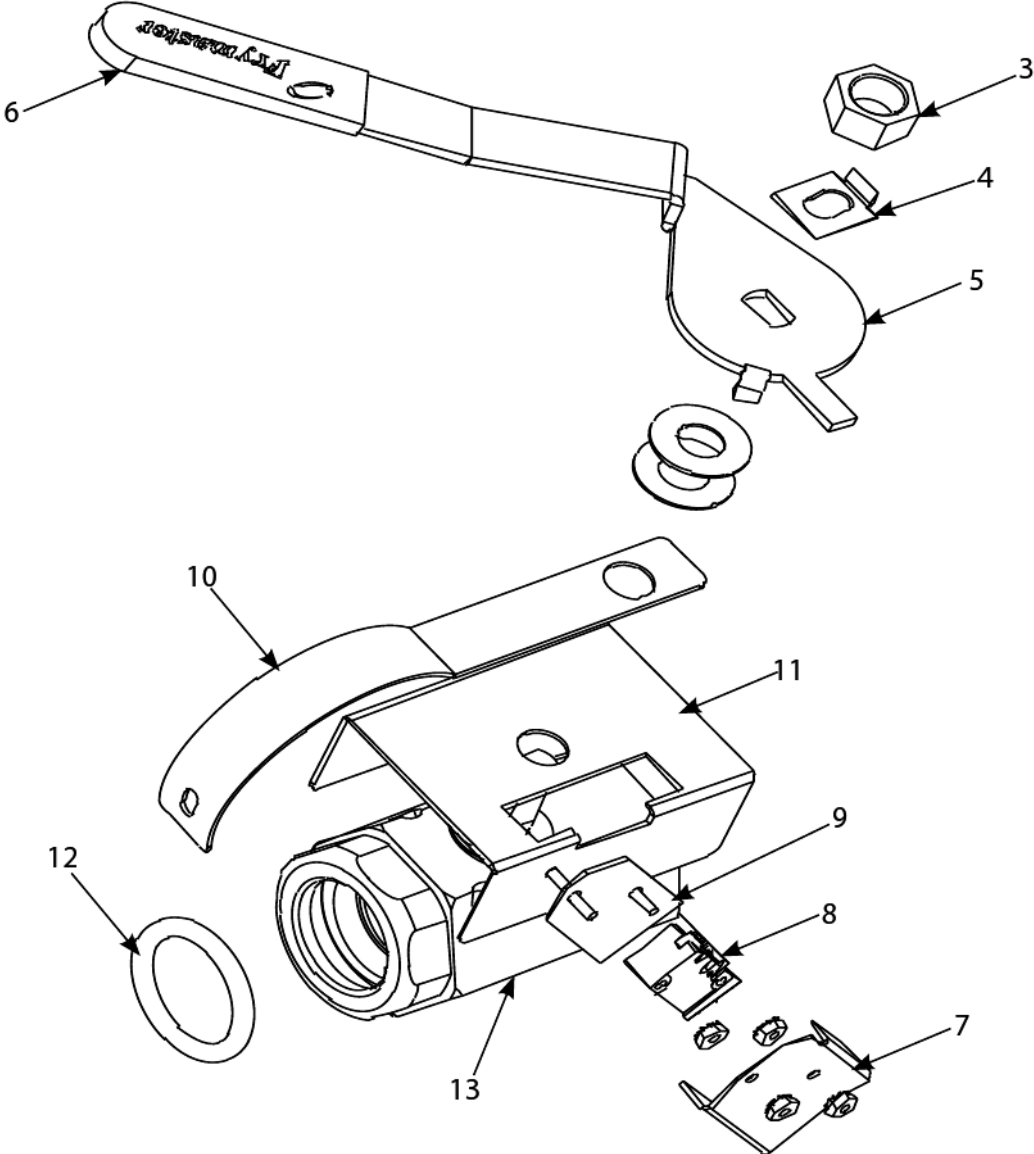
#	PART #	DESCRIPTION	QTY	Note
1	8238135	Drain Tube, Dump Full-Vat Left Closed/Right End Open	1	
2	8238136	Drain Tube, Dump Dual-Vat Left Closed/Right End Open	1	
3	8238137	Drain Tube, Dump Full-Vat Left Closed Both Ends	1	
4	8238138	Drain Tube, Dump Dual-Vat Left Closed Both Ends	1	
5	8238139	Drain Tube, Dump Full-Vat Left Closed Both Ends	1	
5a	8238130	Drain Tube, Dump Full-Vat Left Closed/Right End Open	1	
6	8237943	Drain Tube, Dump Dual-Vat Left Closed Both Ends	1	
6a	8238131	Drain Tube, Dump Dual-Vat Left Closed/Right End Open	1	
7	8234643	Drain Tube, Full-Vat, Short, Open Both Ends	1	
8	8237905	Drain Tube, Dual-Vat, Short, Open Both Ends	1	
9	8122336	Drain Tube - 3.0" x 8.0" L	1	
10	8103551	Drain Tube, Long, Open Both Ends	1	
11	8234625	Drain Tube, Short Full-Vat Left Open/Right End Closed	1	
12	8237906	Drain Tube, Short Dual-Vat Left Open/Right End Closed	1	
13	8234639	Drain Tube, Long Full-Vat Left Open/Right End Closed	1	
14	8237908	Drain Tube, Long Dual-Vat Left Open/Right End Closed	1	
15	8234641	Drain Tube, Long Full-Vat Open Both Ends	1	
16	8237907	Drain Tube, Long Dual-Vat Open Both Ends	1	
17	8160772	Sleeve	1	
18	8090969	Clamp 3"	1	
19	8160630	Cap, Vinyl Black	1	
20	8111071	Tube, 0.25-inch OD Teflon Manifold Vent	1	[1]
21	8237915	Guard, Filter Lid Splash	1	

### PART NOTES:

[1] - sold by the foot

# BIGL30 Manual LOV SERIES GAS FRYER

## Drain Valves and Associated Parts



# BIGL30 Manual LOV SERIES GAS FRYER

## Drain Valves and Associated Parts

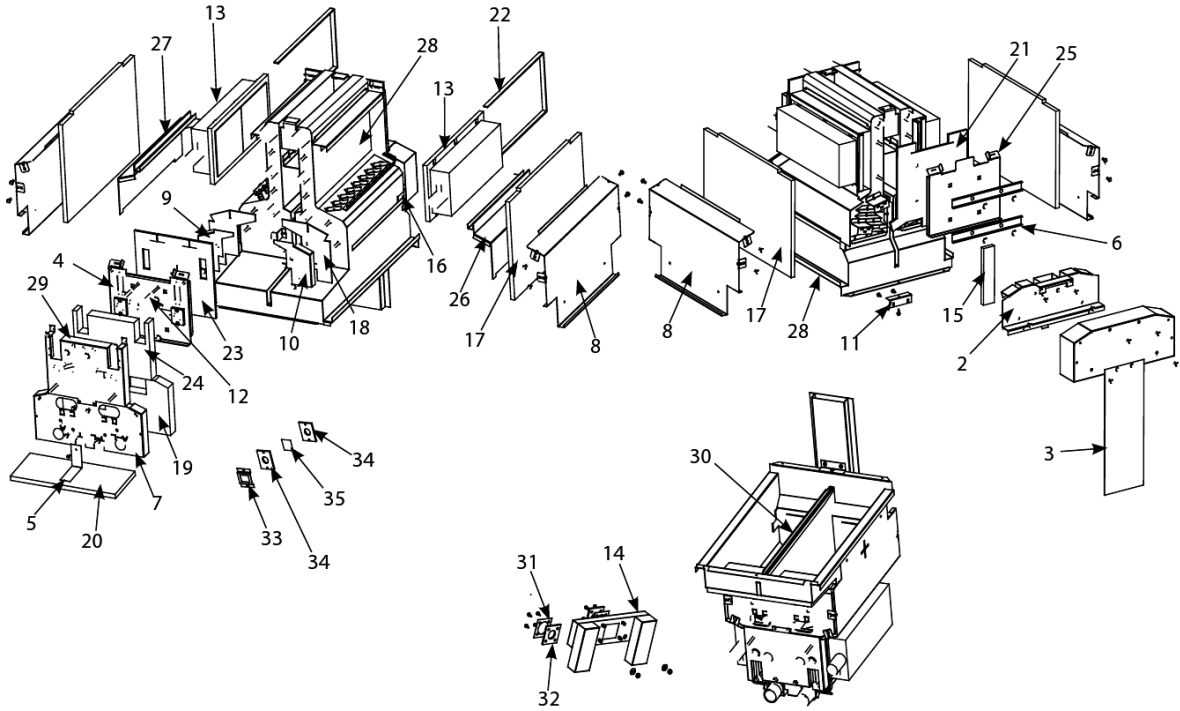
#	PART #	DESCRIPTION	QTY	Note
1	1082509	Valve, Assy Drain FV/DV Left with Filter and Auto Top Off	1	
2	1082510	Valve, Assy Drain FV/DV Right with Filter and Auto Top Off	1	
3	8090540	Nut, Lock 0.5-inch-13 Hex 2-Way ZP	1	
4	9002936	Retainer Nut (FV)	1	
5	2309433	Handle, Drain Valve FV or DV Left	1	
5a	2309434	Handle, Drain Valve DV Right	1	
6	8140047	Cap, Vinyl Red	1	
7	9012348	Cover, Dual-Vat Left Drain Safety Switch	1	
8	8074936	Switch, Micro Gold Plated	1	
9	8160220	Insulation, Microswitch	1	
10	2006496	Support, Drain Tube	1	
11	1082506	Bracket Assy, Drain Switch FV and DV Left	1	
11a	1082537	Bracket Assy, Drain Switch DV Right	1	
12	8160135PK	Round Drain O-Ring	1	
13	8101018	Drain Valve, 1.25", Left	1	
14	8075159	Harness, Drain FV	1	[1]
15	8075160	Harness, Drain DV	1	[1]

### PART NOTES:

[1] - connects from drain switch to rear of M3000 controller only

# BIGL30 Manual LOV SERIES GAS FRYER

## Dual-Vat Frypot Components



# BIGL30 Manual LOV SERIES GAS FRYER

## Dual-Vat Frypot Components

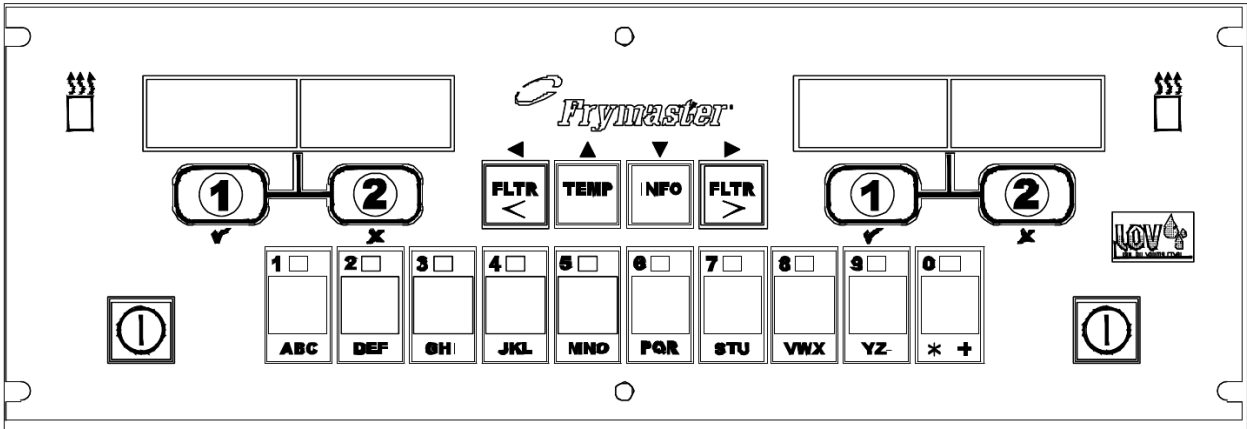
#	PART #	DESCRIPTION	QTY	Note
1	1084157SP	Frypot Assembly, Manual LOV Dual-Vat	1	
2	1067690	Plate Assy, DV Collector	1	
3	1082898	Flue Assembly, Dual-Vat	1	
4	1084424	Cover assembly, GL30 DV Front Combustion	1	
5	2202920	Brace, Foam Deck Insulation	1	
6	2202972	Brace, Dual-Vat Rear Insulation	1	
7	2206530	Retainer, Dual-Vat Upper Insulation	1	
8	2207916	Retainer, Dual-Vat Outer Frypot	1	
9	8242167	Dual-Vat RH Upper W/A Seal	1	
10	8242166	Dual-Vat LH Upper W/A Seal	1	
11	9300818	Bracket, Flue to Pot	1	
12	8100476	Spacer .250 x 1 187	1	
13	8103435	Burner, Universal Replacement	1	[1]
14	8238589	Plenum, Dual-Vat	1	
14a	8237582	Plenum, Dual-Vat	1	[2]
14b	8103743	Fitting, 0.125 NPT x 0.1875 Barb	1	[3]
14c	8262596	Insulation Kit, Complete Dual-Vat	1	[1]
14d	8262593	Insulation Kit, Burner Dual-Vat	1	
15	8120688	Insulation, Flue Collection	1	
16	8120706	Insulation, Upper Burner Rail	1	
17	8121029	Insulation, Combustion Chamber Side	1	
18	8160741	Insulation, Dual-Vat LH/RH Front Seal	1	
19	8160743	Insulation, Dual-Vat Front Upper	1	
20	8160746	Insulation, Foam Deck	1	
21	8160838	Insulation, Dual-Vat Rear Lower	1	
22	8160900	Insulation, Burner	1	
23	8160977	Insulation, Dual-Vat Lower Inner Front	1	
24	8160979	Insulation, Dual-Vat Outer Front	1	
25	8238176	Back, Dual-Vat Lower Combustion Chamber	1	
26	8238195	Retainer, Dual-Vat LH Upper Burner	1	
27	8238196	Retainer, Dual-Vat RH Upper Burner	1	
28	8238476SP	Frypot, Dual-Vat	1	
29	8238576	Retainer, Dual-Vat Outer Front	1	
30	8241796	Riser W/A Dual-Vat Pot	1	
31	9001049	Retainer, Plenum Gasket	1	
32	8160057	Gasket, Plenum	1	
33	9001031	Retainer, Burner Sight Glass	1	
34	8120356	Insulation, Burner Sight Glass	1	
35	8140048SP	Glass, Burner Sight	1	

### PART NOTES:

- [1] - Recommended Stock Part
- [2] - for Non-CE units
- [3] - used on plenum

# BIGL30 Manual LOV SERIES GAS FRYER

## Electronics and Electrical Components



# BIGL30 Manual LOV SERIES GAS FRYER

## Electronics and Electrical Components

#	PART #	DESCRIPTION	QTY	Note
1	1085589	Replacement Manual LOV M3000 Controller Gas	1	[1]
2	8074403	Speaker SMT	1	

**PART NOTES:**

[1] - Recommended Stock Part

# BIGL30 Manual LOV SERIES GAS FRYER

## Fasteners

# BIGL30 Manual LOV SERIES GAS FRYER

## Fasteners

#	PART #	DESCRIPTION	QTY	Note
1	8090429	Bolt - 0.25"- 20 x 2.00" Hex Head ZP Tap	1	
2	8261389	Screw - 0.25"-20 x 0.75" Hex Head ZP	1	
3	8090953	Bolt, 0.25-20 x 0.75-inch Hex Head	1	
4	8071926	Bushing, .875-inch Split	1	
5	8090514	Cap Screw - 0.3125" 18 NC Hex	1	
6	8090448	Clip, Tinnerman	1	
7	8261351	Nut Retainer, 0.25-20 Std. Fluecap	10	[1]
8	8090171	Thumbscrew, 0.25-20 x 1.375-inch	1	[1]
9	8261366	Nut - #4-40 Keps Hex	1	
10	8261358	Nut, 6-32 Keps Hex	1	
11	8090247	Nut - #8-32 Keps Hex	1	
12	8090052	Nut, 10-24 Hex	1	
13	8261376	Nut - #10-32 Keps Hex	1	
14	8090766	Nut, 10-32 Keps Hex SS	1	
15	8090581	Nut, 0.5 NPT Locking	1	
16	8090020	Nut Cap 10-24 NP	1	
17	8261372	Nut Grip 0.25-inch 0.25-20 Hex NP	1	
18	8261368	Nut - 0.25-20 Serrated Flange	1	
19	8090535	Nut, "T" 0.25-inch-20 x 0.4375 SS	1	
20	8090495	Nut, 0.25-inch - 20 Press	1	
21	8090804	Nut, 0.25- inch - 20 Keps Hex	1	
22	8261362	Nut - 0.25"-20 Hex	10	
23	8090540	Nut, Lock 0.5-inch-13 Hex 2-Way ZP	1	
24	8090656	Screw, 4-40 X 0.375-inch Slotted Round Head	1	
25	8261359	Screw - #4-40 x 0.75" Slotted Round Head	1	
26	8261365	Screw, 6-32 x 0.375-inch Slot Head	1	
27	8090098	Screw, 6-32 x 1.25-inch Slotted Round Head	1	
28	8090357	Screw, 6 x 0.375-inch Phillips Head NP	1	
29	8090359	Screw, 8 x 0.25-inch Hex Washer Head	1	
30	8090360	Screw, 8 x 0.375-inch Hex Washer Slot Head	1	
31	8261371	Screw - #8 x 0.5" Hex Head ZP	1	
32	8090364	Screw - #8 x 0.625" Hex Washer Head ZP	1	
33	8090441	Screw, 8 x 1.5-inch Hex Washer Head	1	
34	8090362	Screw, 8 x 1.25-inch Hex Washer Head Drill Point	1	
35	8090518	Screw, 8-32 x 0.375-inch Hex Washer Slotted Head SS	1	
36	8090104	Screw, 8-32 x 0.5-inch Slotted Head ZP	1	
37	8261363	Screw - #8-32 x 0.5" NP	1	
38	8261360	Screw - #10-24 x 0.3125" Round Slot Head ZP	1	
39	8090123	Screw - #10 x 0.75" - Slot Head	1	
40	8261330	Screw, 10-32 x 0.375-inch Slot Head SS	1	
41	8091003	Screw - #10-32 x 0.375" Hex Trim Head SS	1	
42	8090938	Screw, 10-32 x 0.625-inch Philips Truss Head	1	
43	8261375	Screw - #10-32 x 0.75" - Hex Trim Head SS	1	
44	8091000	Screw - #10-32 x 1.25" - Hex	1	
45	8261374	Screw - #10 x 0.5" Hex Head	1	
46	8090266	Screw, 10 x 0.5-inch Phillips Head ZP	1	

# BIGL30 Manual LOV SERIES GAS FRYER

## Fasteners

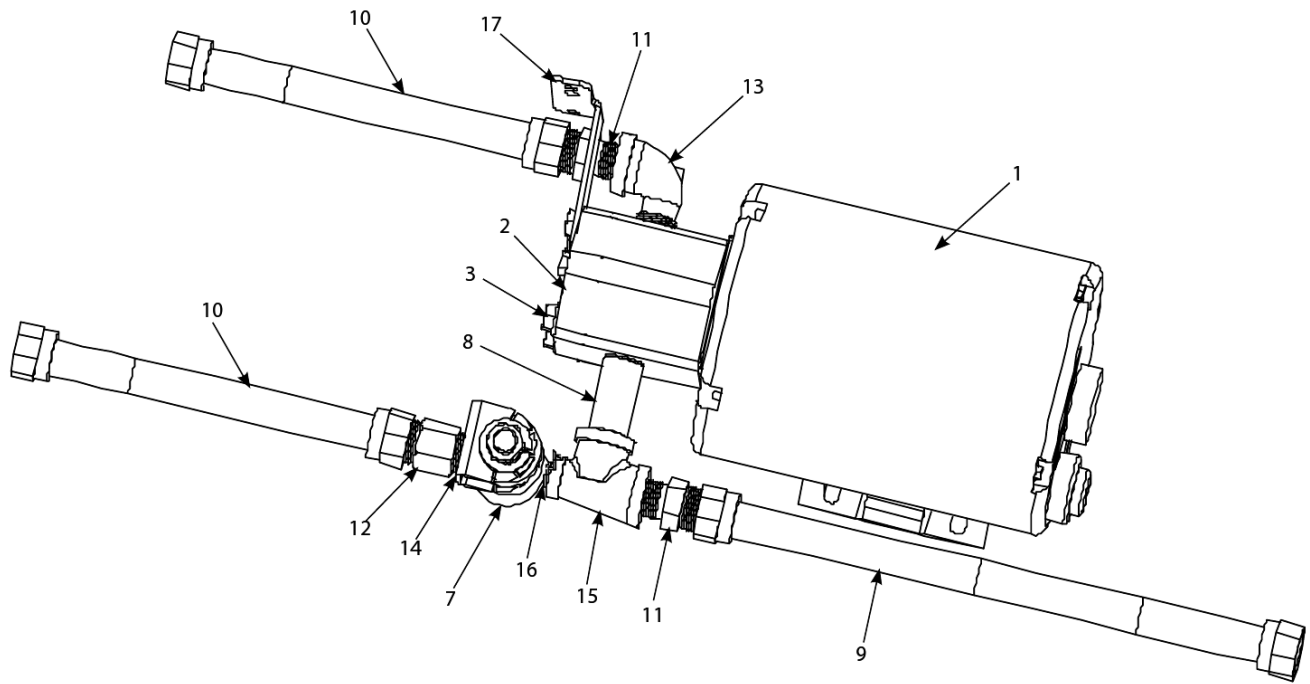
#	PART #	DESCRIPTION	QTY	Note
47	8090500	Screw, 10 x 0.5-inch Hex Washer Head 410 SS	1	
48	8090475	Screw - #10-32 x 0.3125" Hex	1	
49	8090123	Screw - #10 x 0.75" - Slot Head	1	
50	8261389	Screw - 0.25"-20 x 0.75" Hex Head ZP	1	
52	8261346	Spacer, Ignition Module	10	
53	8102763	Spacer, Interface Board	1	
54	8261340	Spacer, .25-inch x 1.187-inch	10	
55	8100500	Spacer, .25-inch x .9375-inch	1	
56	8102023	Spacer, .25-inch x .110-inch	1	[2]
57	2006721	Plate, Strain Relief	1	
58	8261337	Tab, 0.25-inch Terminal	5	
59	8070070	Terminal, Ground Lug	1	
60	8071948	Ty-Wrap	1	
61	8071359	Mount, Ty-Wrap	1	
62	8261383	Washer, 0.75-inch O.D. x 0.25-inch I.D. ZP	1	
64	8090582	Washer 0.5 NPT Locking	1	
65	8090184	Washer, #10 LK ZP	1	
66	8090190	Washer, .625 X .275 X 40 Flat SS	1	
67	8090191	Washer, Lock 0.25 Spring ZP	1	
68	8090193	Flat Washer - 0.25" Nylon	1	
69	8090194	Flat Washer - 0.3125" ZP	1	
70	8090196	Washer, 0.375-inch SAE Flat	1	
71	8101165	Washer, Teflon Drain Valve	1	

### PART NOTES:

- [1] - for use on standard fluecap
- [2] - Used on drain valves.

# BIGL30 Manual LOV SERIES GAS FRYER

## Filter Pump, Motor and Associated Components



# BIGL30 Manual LOV SERIES GAS FRYER

## Filter Pump, Motor and Associated Components

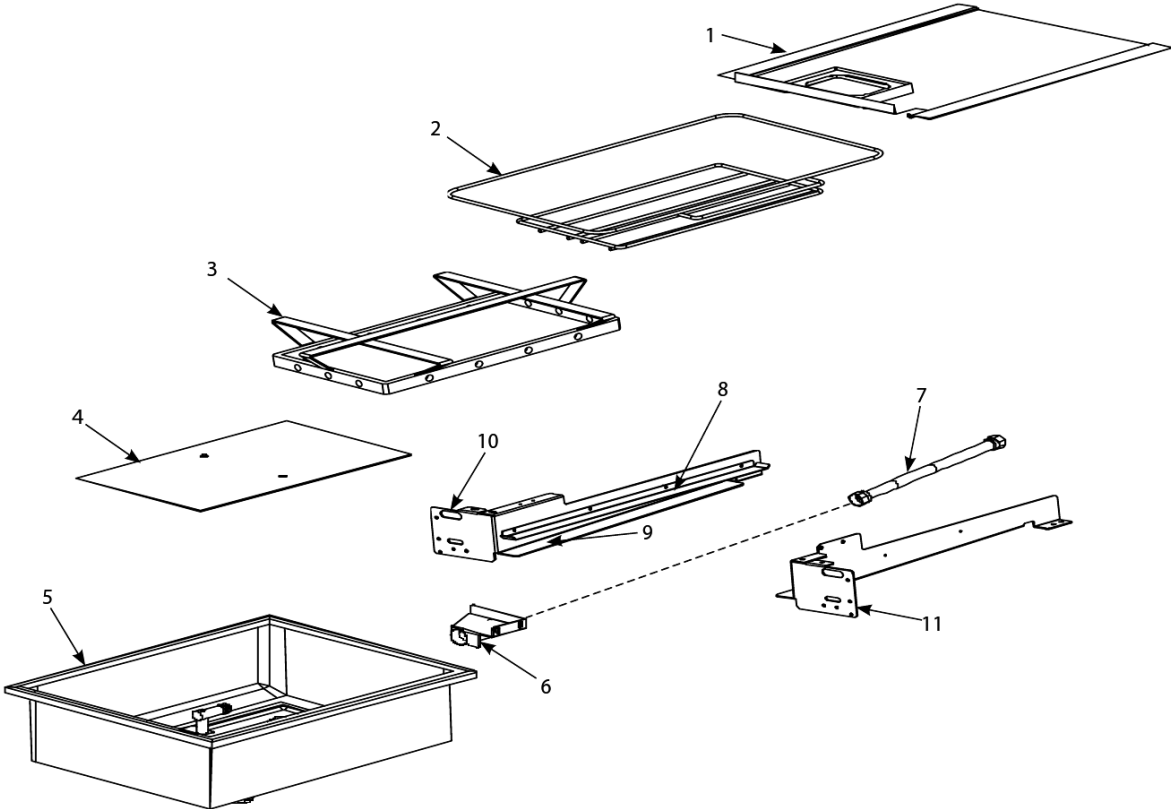
#	PART #	DESCRIPTION	QTY	Note
1	8261785	Motor and Gasket Kit - 100V/50-60 Hz	1	
1a	8261712	Motor and Gasket Kit - 115V/50-60 Hz	1	
1b	8261756	Motor and Gasket Kit - 208V/50-60 Hz	1	
1c	8261270	Motor and Gasket Kit - 220-240V/50-60 Hz	1	[1]
1d	8261755	Motor and Gasket Kit - 250V/50-60 Hz	1	
2	8261264	Pump Kit - 4 GPM	1	[2]
2a	8160093	Gasket - Pump/Motor	1	
3	8090514	Cap Screw - 0.3125" 18 NC Hex	1	[3]
4	80711973	Pump Seal Kit - Viking	1	
5	1080649SP	Heater Strip Assembly - 100-120V/25W - 18"	1	
6	1065912SP	Heater Strip Assembly -208-250V/25W - 18"	1	
7	1067598SP	Solenoid Valve - 0.25" NPT	1	
8	8130265	Nipple - 0.5" x 2.5" NP	1	
9	8101057	Flexline - Oil Return - 13" L	1	
10	8101067	Flexline - Oil Return - 0.625" OD x 8.5" L	1	
11	8101668	Male Adaptor - 0.625" OD x 0.5"	1	
12	8101669	Female Adaptor - 0.875" OD x 0.5"	1	
13	8130165	Elbow - 0.5" x 90° NPT Street	1	
14	8130304	Bushing, 0.5-inch NPT to 0.25-inch NPT Flush Reducing	1	
15	8130530	Tee, Reducing 0.5-inch x 0.25-inch x0.5-inch	1	
16	8130838	Nipple - 0.25" NPT	1	
17	2206191	Brace	1	
18	1061020SP	Wiring, Pump	1	

### PART NOTES:

- [1] - Recommended Stock Part
- [2] - includes gasket and cap screws below
- [3] - Connects pump to motor.

# BIGL30 Manual LOV SERIES GAS FRYER

## Filtration System Components



# BIGL30 Manual LOV SERIES GAS FRYER

## Filtration System Components

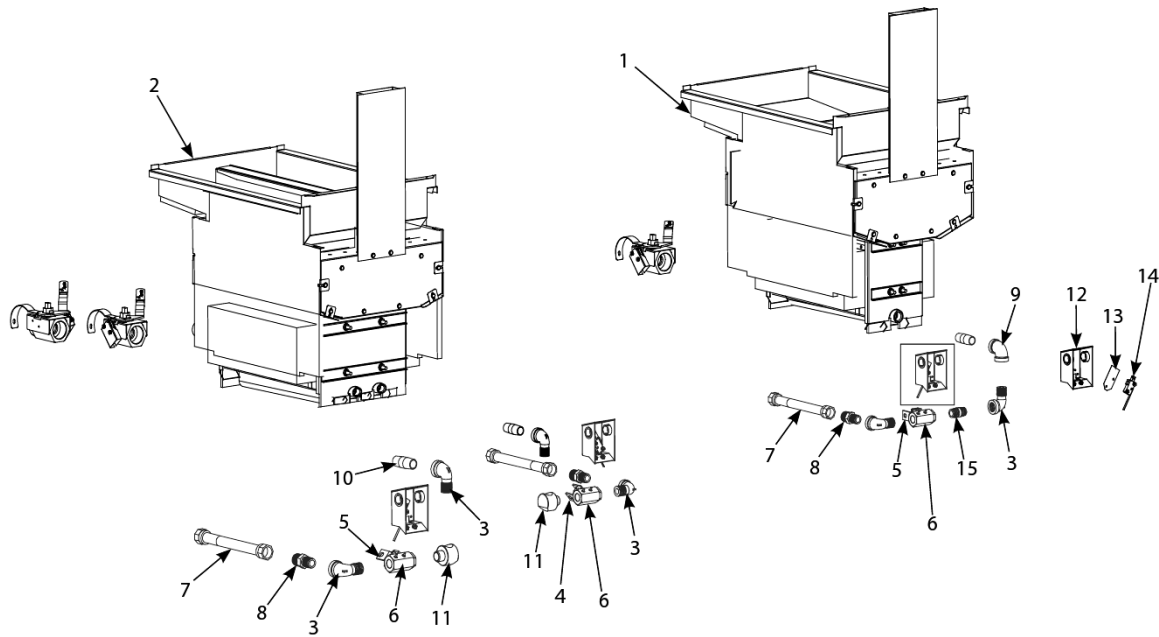
#	PART #	DESCRIPTION	QTY	Note
1	8238028	Lid, Filter Pan	1	
2	8103276	Crumb Tray, Standard Size Filter Pan 3, 4 and 5 Vat	1	
3	8103268	Hold-Down Ring for Pad 16.56 x 22.32, Standard Size Pan 3, 4, and 5 Vat	1	
4	8122025	SanaGrid Filter Screen	1	
5	1083999SP	Pan, Filter	1	
5a	8130568	Plug, 0.125" SS NPT, Sq-Head	2	[1]
5b	8261392	O-Ring	5	[2]
6	8236458	Suction Tube Assembly	1	
7	8101067	Flexline - Oil Return - 0.625" OD x 8.5" L	1	
8	2308373	Rail, Upper Filter Pan Left/Right	1	
9	2308372	Rail, Lower Filter Pan Left/Right	1	
10	8238030	Support, Left Filter Pan	1	
11	2208368	Support, Right Filter Pan 3,4 and 5 battery	1	

### PART NOTES:

- [1] - used with Item 5; two required
- [2] - Recommended Stock Partused with Item 5

# BIGL30 Manual LOV SERIES GAS FRYER

## Frypot Assemblies and Associated Parts



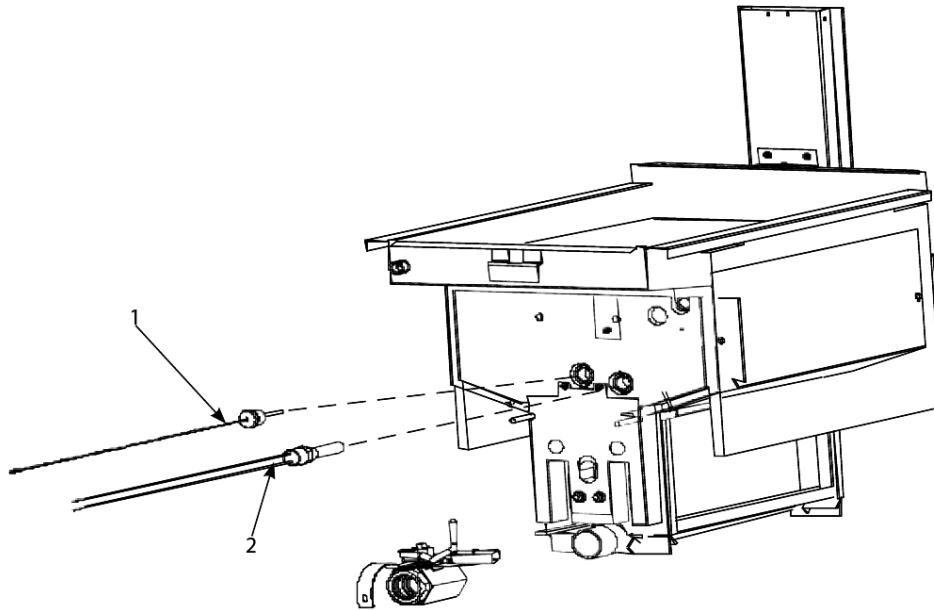
# BIGL30 Manual LOV SERIES GAS FRYER

## Frypot Assemblies and Associated Parts

#	PART #	DESCRIPTION	QTY	Note
1	8238470	Frypot FV	1	
2	8238476SP	Frypot, Dual-Vat	1	
2a	8241796	Riser W/A Dual-Vat Pot	1	
3	8130022	Nipple, 0.5" Close NPT BM	1	
4	9012772	Handle, Valve Rear Flush LT	1	
5	9022772	Handle, Valve Rear Flush RT	1	
5a	9002935	Retainer, Nut Oil Return Valve	1	
6	8102201	Valve, Return 0.5" Ball LT	1	
7	8101067	Flexline - Oil Return - 0.625" OD x 8.5" L	1	
8	8101668	Male Adaptor - 0.625" OD x 0.5"	1	
9	8130062	Elbow - 0.5" BM x 90°	1	
10	8130298	Nipple, 0.5" x 2.00" NPT BM Pipe	1	
11	8130908	Adapter, 0.5" NPT 90°	1	
12	2208540	Cover, Oil Return Microswitch	1	
13	8160220	Insulation, Microswitch	1	
14	8074101	Switch, Micro	1	
15	8130087	Nipple, 0.5-inch NPT x 1.5-inch (3.8 cm)	1	

# BIGL30 Manual LOV SERIES GAS FRYER

## Frypot Probes and Thermostats



# BIGL30 Manual LOV SERIES GAS FRYER

## Frypot Probes and Thermostats

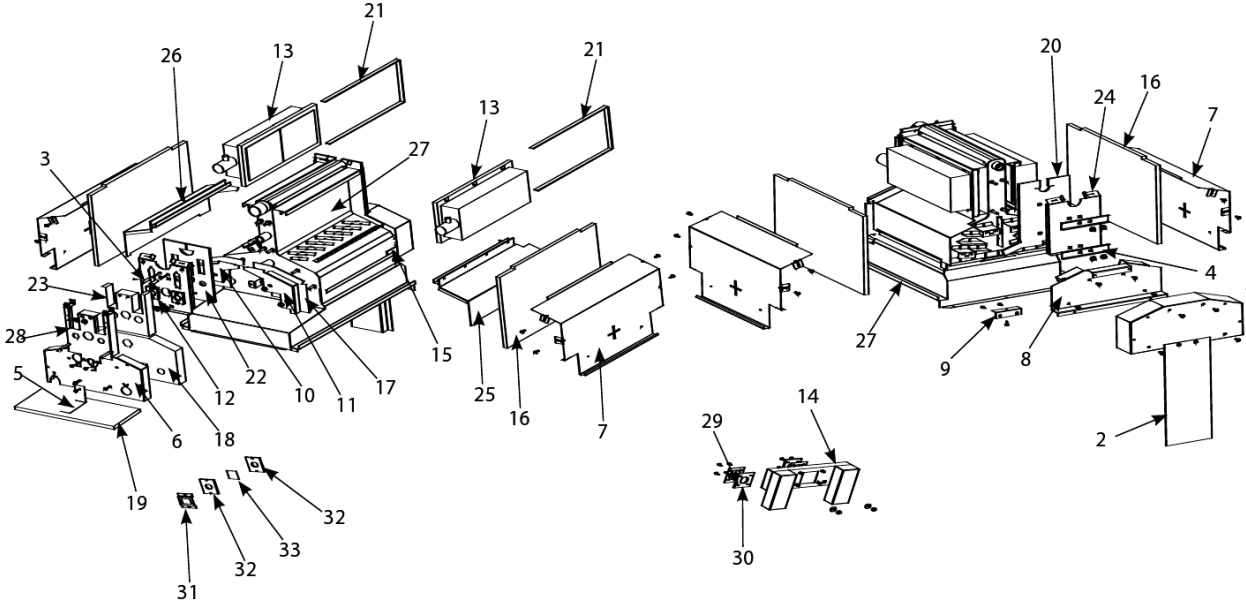
#	PART #	DESCRIPTION	QTY	Note
1	8262900	Temperature Probe	1	[1]
2	8261177	Thermostat, High-Limit 425°F/218°C	1	[1]

**PART NOTES:**

[1] - Recommended Stock Part

# BIGL30 Manual LOV SERIES GAS FRYER

## Full-Vat Frypot Components



# BIGL30 Manual LOV SERIES GAS FRYER

## Full-Vat Frypot Components

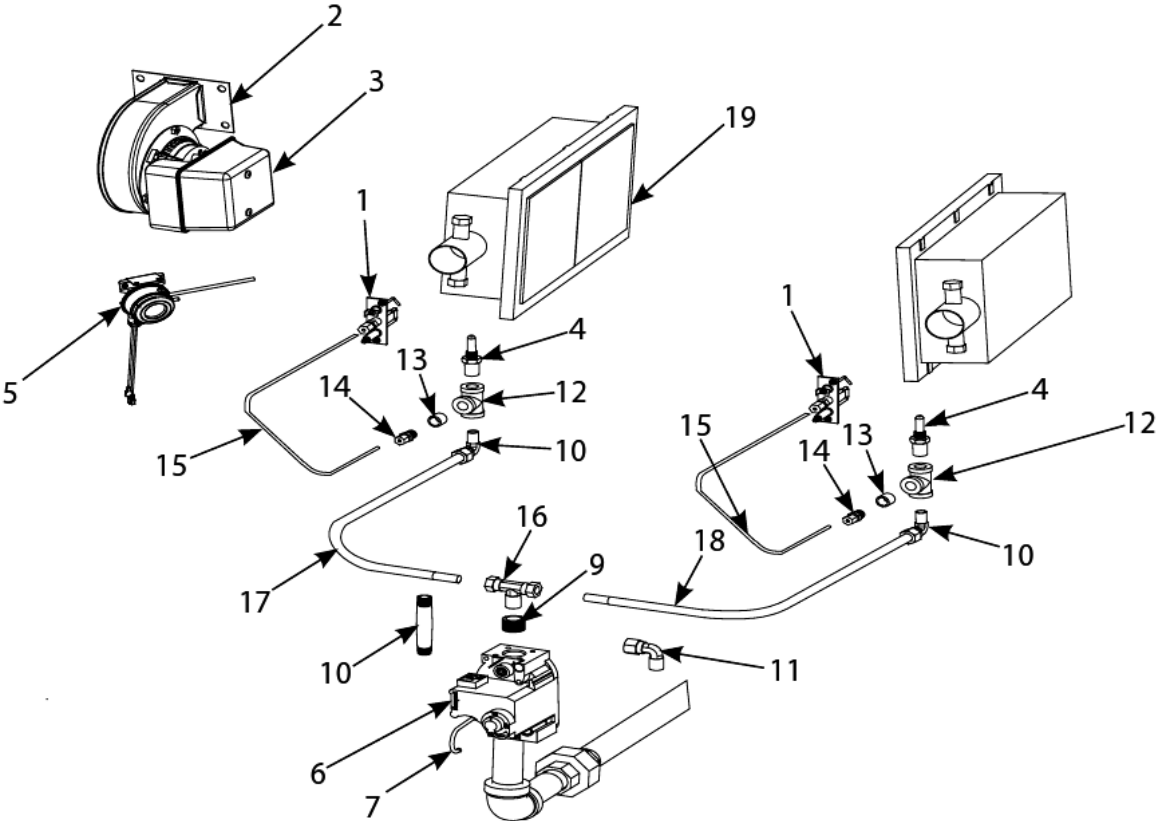
#	PART #	DESCRIPTION	QTY	Note
1	1084156SP	Frypot Assembly, Manual LOV Full-Vat	1	
2	1082897SP	Flue Assembly, Full-Vat	1	
3	1084423SP	Cover assembly, GL30 FV Front Combustion	1	
4	2202851	Brace, FV Rear Insulation	1	
5	2202920	Brace, Foam Deck Insulation	1	
6	2206529	Retainer, Full-Vat Upper Insulation	1	
7	2207831	Retainer, Outer Frypot	1	
8	2306960	Plate, FV Collector Mounting	1	
9	9300818	Bracket, Flue to Pot	1	
10	8242165	Front Upper Seal Weldment, FV RH	1	
11	8242164	Front Upper Seal Weldment, FV LH	1	
12	8261340	Spacer, .25-inch x 1.187-inch	1	
13	8103435	Burner, Universal Replacement	1	[1]
14	8238590	Plenum, Full-Vat	1	
14a	8238574	Plenum, Full-Vat	1	[2]
14b	8103743	Fitting, 0.125 NPT x 0.1875 Barb	1	[3]
14c	8262592	Insulation Kit, Burner Full-Vat	1	[1]
14d	8262595	Insulation Kit, Complete Full-Vat	1	
15	8120706	Insulation, Upper Burner Rail	1	
16	8121029	Insulation, Combustion Chamber Side	1	
17	8160731	Insulation, FV LH/RH Front Seal	1	
18	8160733	Insulation, FV Front Upper	1	
19	8160746	Insulation, Foam Deck	1	
20	8160837	Insulation, FV Rear Lower	1	
21	8160900	Insulation, Burner	1	
22	8160976	Insulation, FV Lower Inner Front	1	
23	8160978	Insulation, FV Outer Front	1	
24	8238175	Back, Lower Full-Vat Combustion Chamber	1	
25	8238193	Retainer, FV LH Upper Burner	1	
26	8238194	Retainer, FV RH Upper Burner	1	
27	8238470	Frypot FV	1	
28	8238575	Cover GL30 FV Lower Outer	1	
29	9001049	Retainer, Plenum Gasket	1	
30	8160057	Gasket, Plenum	1	
31	9001031	Retainer, Burner Sight Glass	1	
32	8120356	Insulation, Burner Sight Glass	1	
33	8140048SP	Glass, Burner Sight	1	

### PART NOTES:

- [1] - Recommended Stock Part
- [2] - for Non-CE units
- [3] - used on plenum

# BIGL30 Manual LOV SERIES GAS FRYER

## Gas Valves, Supply and Combustion System Components



# BIGL30 Manual LOV SERIES GAS FRYER

## Gas Valves, Supply and Combustion System Components

#	PART #	DESCRIPTION	QTY	Note
1	8263053	Ignitor, Natural Gas G20, G25	1	[1]
1a	8160059	Gasket, Ignitor	1	[2]
1b	8262994	Ignitor, Propane G30, G31	1	
1c	8160981	Gasket, Ignitor	1	[2]
2	1081960	Blower Assembly, 230V 50HZ RH CE (Dual Vat) Combustion Air	1	[3]
2a	1081959	Blower Assembly, 230V 50HZ RH CE (Full Vat)	1	
3	8160554	Cover, Blower Motor	1	[4]
3a	8071067	2-Pin Male	1	
4	8103861-FRY	Orifice, Burner, 3.26 mm Natural Gas G20, G25	1	[5]
4a	8103865	Orifice, Burner, 1.95mm Propane/Butane G30, G31 Australia Only	1	[5]
5	1083346	Switch, Air Pressure Assembly FV CE and Export	1	
5a	8122226	Switch, Air Pressure Assembly FV Australia	1	[6]
5b	1081455SP	Switch, Air Pressure Assembly DV CE and Export	1	
5c	8122141	Switch, Air Pressure Assembly DV Australia	1	[6]
6	8261122	Valve, Non-CE, Natural Gas G20, G25	1	
6a	8261120	Valve, Non-CE, Kit Natural Gas w/ flexlines and hardware	1	
6b	8261123	Valve, Non-CE, Propane Gas G30, G31	1	
6c	8261121	Valve, Non-CE, Kit, Propane Gas w/ flexlines and hardware	1	
7	8100691	Tube, 0.125-inch Vent	1	
8	8069678SP	Plug Assy, CE Gas Valve	1	
9	8130304	Bushing, 0.5-inch NPT to 0.25-inch NPT Flush Reducing	1	
10	8130700	Nipple, 0.25-inch NPT x 3.00-inch	1	
11	8130302	Elbow, 0.25-inch Male NPT to 0.375-inch Tube 90°	1	[7]
12	8130449	Tee, 0.25 -inch NPT Brass	1	
13	8103147	Bushing, 0.75-inch OD x 0.5 -inch ID NPT Flush	1	
14	8130340	Adapter, 0.125-inch NPT to 0.125-inch Tube	1	
15	8110756	Enrichment Tube, 8.5-inch	1	
16	8130301-FRY	Tee, 0.25-inch Male NPT to 0.375-inch Tube	1	
17	8101353	Gas Line, 0.375-inch OD X 9-inch SS Flexible	1	[8]
18	8101355	Gas Line, 0.375-inch OD X 15-inch SS Flexible	1	
19	8103435	Burner, Universal Replacement	1	
20	8262965	Conversion Kit, Natural Gas FV G20, G25 to Propane/ButaneG30,G31	1	
21	8262966	Conversion Kit, Natural Gas DV G20, G25 to Propane/ButaneG30,G31	1	
22	8262967	Conversion Kit, Propane/Butane FVG30, G31 to Natural Gas G20,G25	1	
23	8262968	Conversion Kit, Propane/Butane DVG30, G31 to Natural Gas G20,G25	1	
24	8262969	Conversion Kit, Natural Gas FV G20, G25 to Prop/ButaneG30,G31 Aust /CE	1	
25	8262970	Conversion Kit, Natural Gas DV G20, G25 to Prop/ButaneG30,G31 Aust/CE	1	
26	8262971	Conversion Kit, Prop/Butane FVG30, G31 to Natural Gas G20,G25 Aust /CE	1	
27	8262972	Conversion Kit, Prop/Butane DVG30, G31 to Natural Gas G20,G25 Aust/CE	1	

# BIGL30 Manual LOV SERIES GAS FRYER

## Gas Valves, Supply and Combustion System Components

#	PART #	DESCRIPTION	QTY	Note
---	--------	-------------	-----	------

**PART NOTES:**

- |     |   |  |  |  |
|-----|---|--|--|--|
| [1] | - | Recommended Stock Part                             |  |  |
| [2] | - | includes gasket                                    |  |  |
| [3] | - | Recommended Stock Part includes harness and Item 3 |  |  |
| [4] | - | component of all blowers listed above              |  |  |
| [5] | - | 0-4999 Ft, 0-1524 M                                |  |  |
| [6] | - | switch alone                                       |  |  |
| [7] | - | used on DV valve                                   |  |  |
| [8] | - | Used on some split pots                            |  |  |

# **BIGL30 Manual LOV SERIES GAS FRYER**

## **M3000 Communication Wiring Harnesses**

# BIGL30 Manual LOV SERIES GAS FRYER

## M3000 Communication Wiring Harnesses

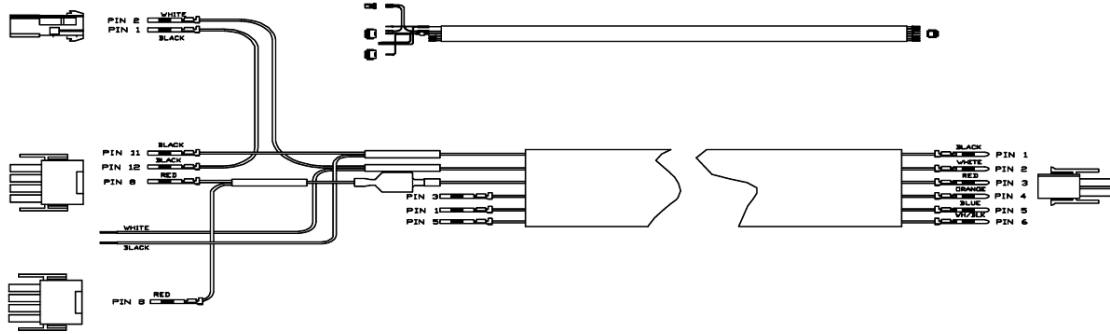
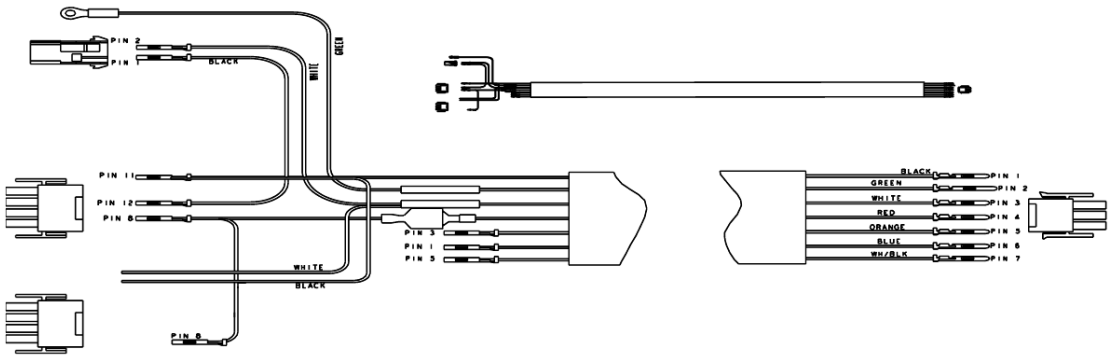
#	PART #	DESCRIPTION	QTY	Note
1	8074546	Controller Communication	1	[1]
2	8074573	Controller Locator Wire	1	[2]
3	8074552	Communications Terminator	1	[3]
4	8074660PK	SMT Pin Service Repair Kit	1	[4]
5	2302345	SMT Pin Extractor	1	[4]

**PART NOTES:**

- [1] - used from controller to controller
- [2] - used from controller to interface board
- [3] - used on controller pin J6and J7 to terminate network
- [4] - Recommended Stock Part

# BIGL30 Manual LOV SERIES GAS FRYER

## Main Wiring Harnesses



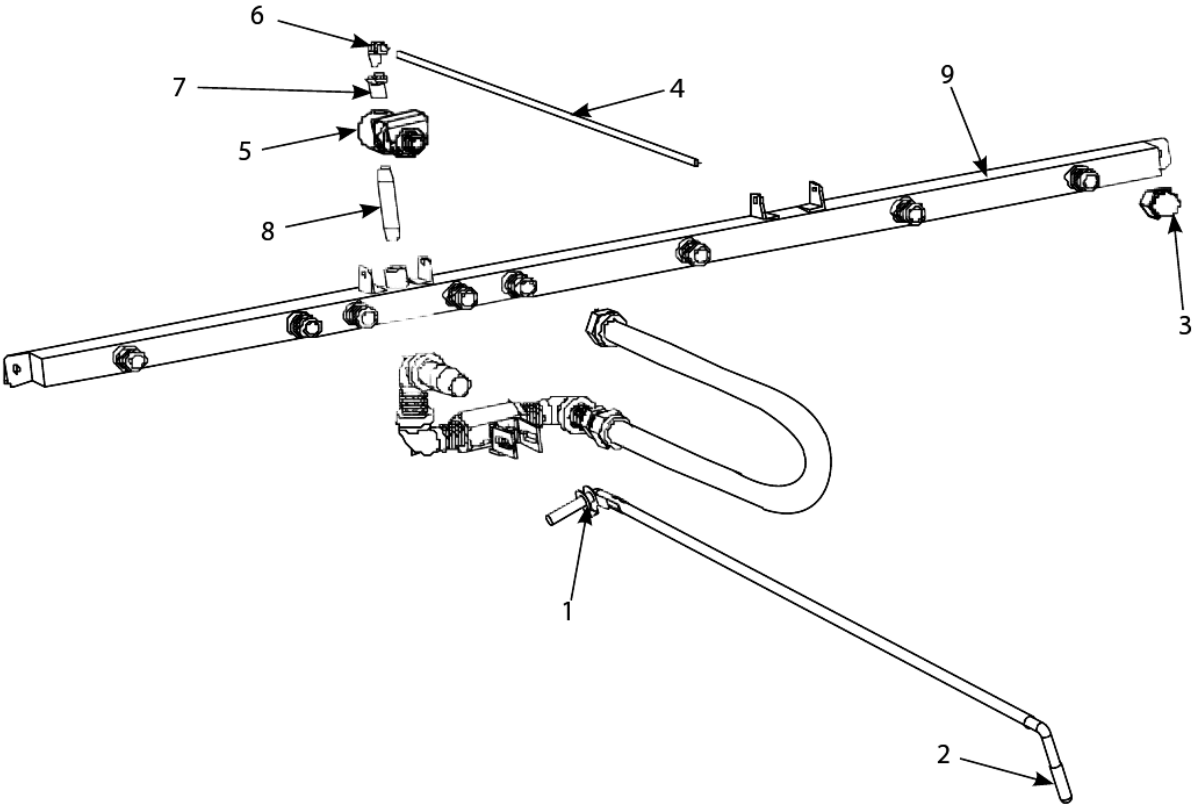
# BIGL30 Manual LOV SERIES GAS FRYER

## Main Wiring Harnesses

#	PART #	DESCRIPTION	QTY	Note
1	8071978	Main Wiring Harness 250/450	1	
2	8074014	Main Wiring Harness 350	1	

# BIGL30 Manual LOV SERIES GAS FRYER

## Oil Return System Components



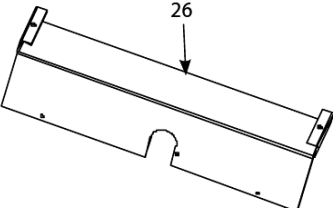
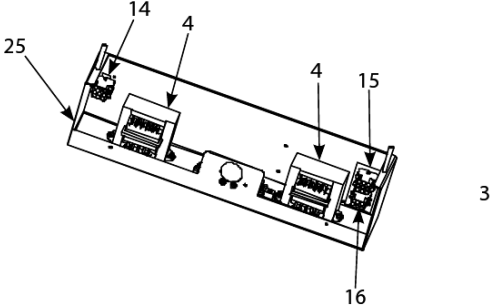
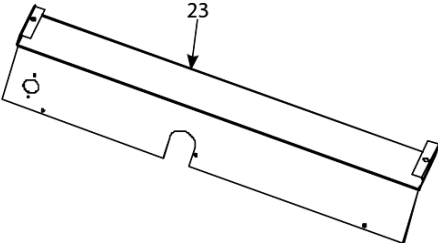
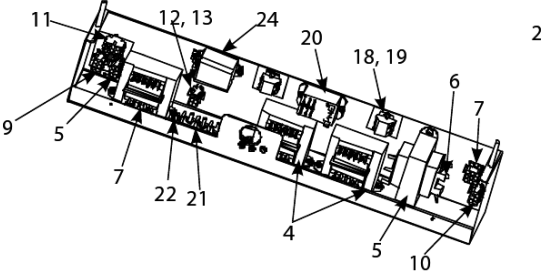
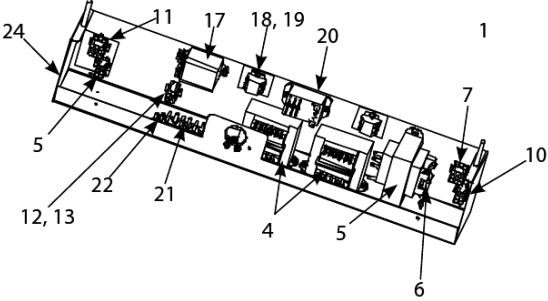
# BIGL30 Manual LOV SERIES GAS FRYER

## Oil Return System Components

#	PART #	DESCRIPTION	QTY	Note
1	8090601	Clip, Clevis	1	
2	8160643	Grip, Oil Return Valve Handle	1	
3	8130907	Cap, 0.9375-inch Valve Safety	1	
4	8111071	Tube, 0.25-inch OD Teflon Manifold Vent	1	
5	1067598SP	Solenoid Valve - 0.25" NPT	1	
6	8102493	Elbow, 90° 0.125-inch NPT x 0.25-inch Quick Connect	1	
7	8130807	Bushing, 0.25-inch NPT x 0.125-inch	1	
8	8130700	Nipple, 0.25-inch NPT x 3.00-inch	1	
9	8103958	Manifold, Two-Station Fryer	1	
9a	8103959	Manifold, Three-Station Fryer	1	
9b	8103960	Manifold, Four-Station Fryer	1	
9c	8103961	Manifold, Five-Station Fryer	1	

# BIGL30 Manual LOV SERIES GAS FRYER

## Transformer Boxes



# BIGL30 Manual LOV SERIES GAS FRYER

## Transformer Boxes

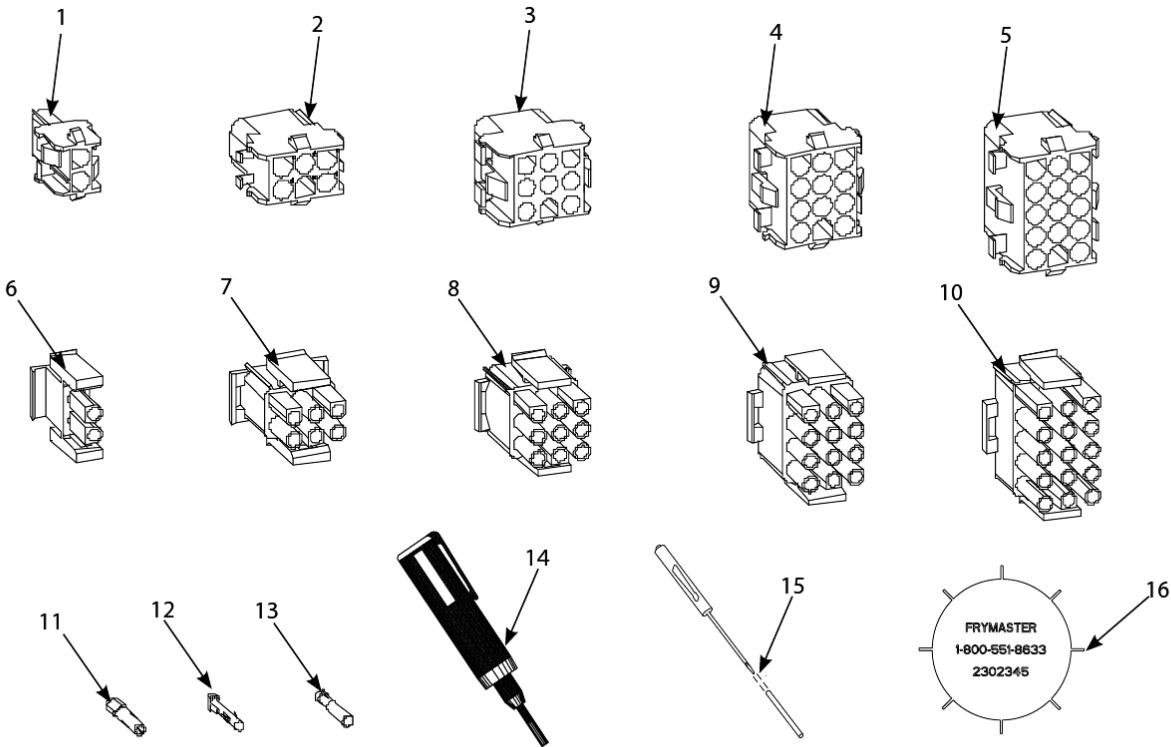
#	PART #	DESCRIPTION	QTY	Note
1	1081765	Box Assembly, Transformer, GL230 and 430 CE and Export	1	
1a	1081770	BIGL430 CE and Export	1	[1]
2	1081764	Box Assembly, Transformer, GL330 CE and Export	1	
3	1081768	Box Assembly, Transformer, GL430 CE and Export	1	
4	8075129	Transformer - Dual Voltage 208-240V	1	[2]
5	8072180	Transformer - 208-240V/24V 50A	1	[2]
6	8071597	Fuse - 3amp Slo-Blow	1	[2]
7	1080994SP	Cable Assembly, Transformer Box #1 GL230,330, 230 and 330 CE Export	1	
8	1080995SP	Cable Assembly, Transformer Box #2 GL230, 330, 230 and 330 CE Export	1	
9	1080996SP	Cable Assembly, Transformer Box #3 GL330 and 330 CE Export	1	
10	1081728	Cable Assembly, Transformer Box Line GL230, 330, 430, 230 and 330 CE Export and 430 CE Export Filter Pump	1	
11	1068170	Cable Assembly, Transformer Box Filter Pump GL230, 330, 230 and 330 CE Export	1	
12	1083433	Harness, Bulk Oil Jumper	1	
13	1083432	Harness, T-Box Gas OCF	1	
14	1081778	Harness Assembly, Vat # 4	1	
15	1081777	Harness Assembly, Vat # 3	1	
16	1081789	Harness Assembly, 4 Batt Cordset	1	
17	8074770	Relay, DPDT 20A 240V	1	[2]
18	8101164	Block, One-Piece Screwless Terminal	1	
19	8160217	Insulation, Terminal Block Paper	1	
20	8070012	Filter Relay - 18A 24VAC	1	[2]
21	8071973	Terminal, Post	1	
22	8070070	Terminal, Ground Lug	1	
23	2203191	Cover, Large Transformer Box	1	
24	8236324	Box, Large Transformer/Filter	1	
25	8237638	Box, Transformer/Filter GL30 4-Battery	1	
26	2206514	Spark Ignition Pilot - LP	1	
27	WIR0100	Wire Assembly, GL 430 McD Double	1	
28	WIR0799	Wire Assembly, GL230/430 Transformer/Filter Box	1	
29	WIR0798	Wire Assembly, GL330 Transformer/Filter Box	1	
30	WIR0957	Wire Assembly, GL230/430	1	

### PART NOTES:

- [1] - cordset
- [2] - Recommended Stock Part

# BIGL30 Manual LOV SERIES GAS FRYER

## Wiring Connectors, Pin Terminals and Tools



# BIGL30 Manual LOV SERIES GAS FRYER

## Wiring Connectors, Pin Terminals and Tools

#	PART #	DESCRIPTION	QTY	Note
1	8071068	2-Pin Female	1	
2	8070158	6-Pin Female	1	
3	8070156	9-Pin Female	1	
4	8070159	12-Pin Female	1	
5	8070875	15-Pin Female	1	
6	8071067	2-Pin Male	1	
7	8070157	6-Pin Male	1	
8	8070155	9-Pin Male	1	
9	8070160	12-Pin Male	1	
10	8070804	15-Pin Male	1	
11	8261341	Terminal, Female Split Pin	25	
12	8261342	Terminal, Male Split Pin	25	
13	8072518	Plug, Mate-N-Lock	1	[1]
14	8070928	Extract Tool Pin Pusher	1	
15	8064855	Pin Pusher Screwdriver Assy	1	
16	2302345	SMT Pin Extractor	1	

**PART NOTES:**

[1] - Dummy Pin