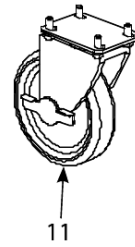
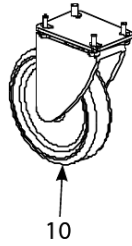
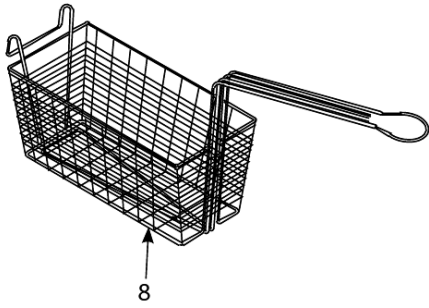
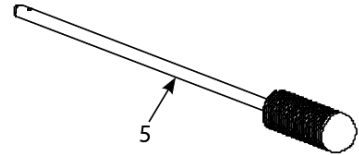
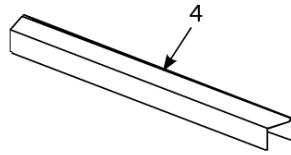
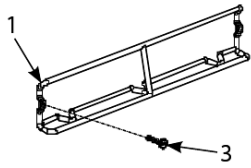


Ultimate Series Electric Fryer

Accessories



Ultimate Series Electric Fryer

Accessories

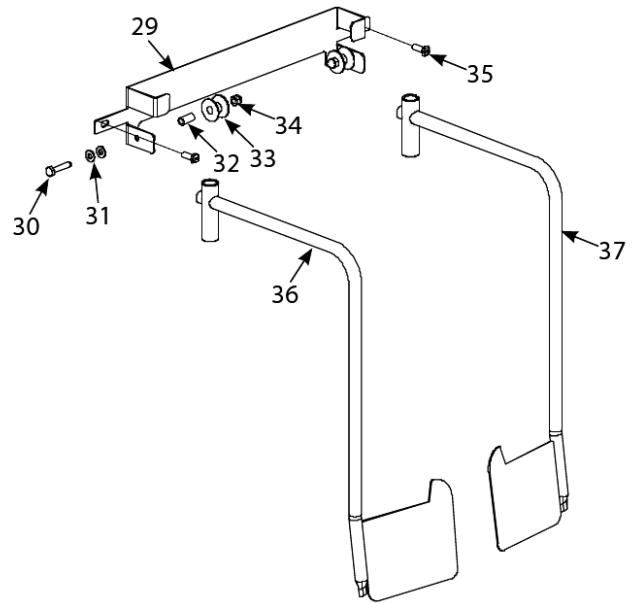
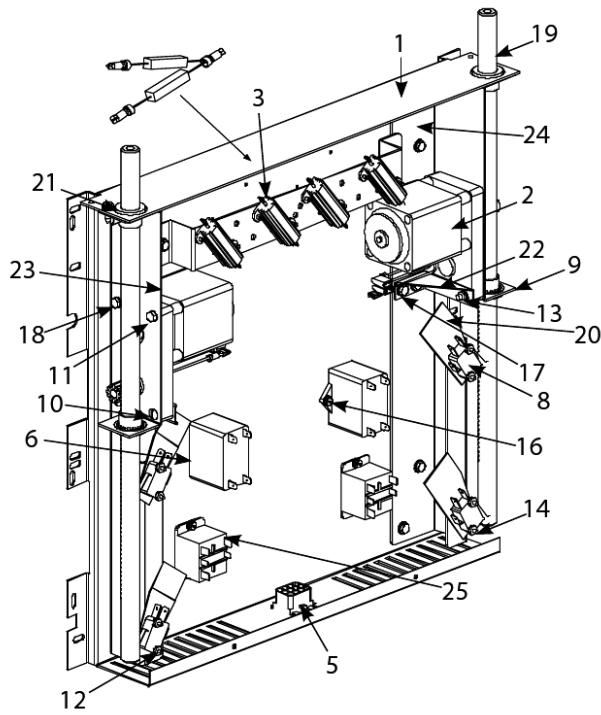
#	PART #	DESCRIPTION	QTY	Note
1	8102794	Basket Hanger	1	
2	1061968	Cover, Vat- All Ultimate Electrics	1	
3	8090171	Thumbscrew, 0.25-20 x 1.375-inch	1	
4	2101288	Joiner Strip	1	
5	8030209	Brush, Frypot	1	
6	8030387	Grid, Basket Support	1	
7	8030149	Grid, Frypot	1	
8	8030306	Twin Fry Basket	1	
9	8030017	Fry Basket, Full Basket	1	
10	8261117	Caster, 5" Swivel w/o Brake	1	[1]
11	8261118	Caster, 5" Swivel w/Brake	1	[1]
12	8030197	Fryer's Friend	1	[2]

PART NOTES:

- [1] - Mounting Hardware Included
- [2] - Clean-out Rod

Ultimate Series Electric Fryer

Basket Lift Assembly (Modular) and Related Components



Ultimate Series Electric Fryer

Basket Lift Assembly (Modular) and Related Components

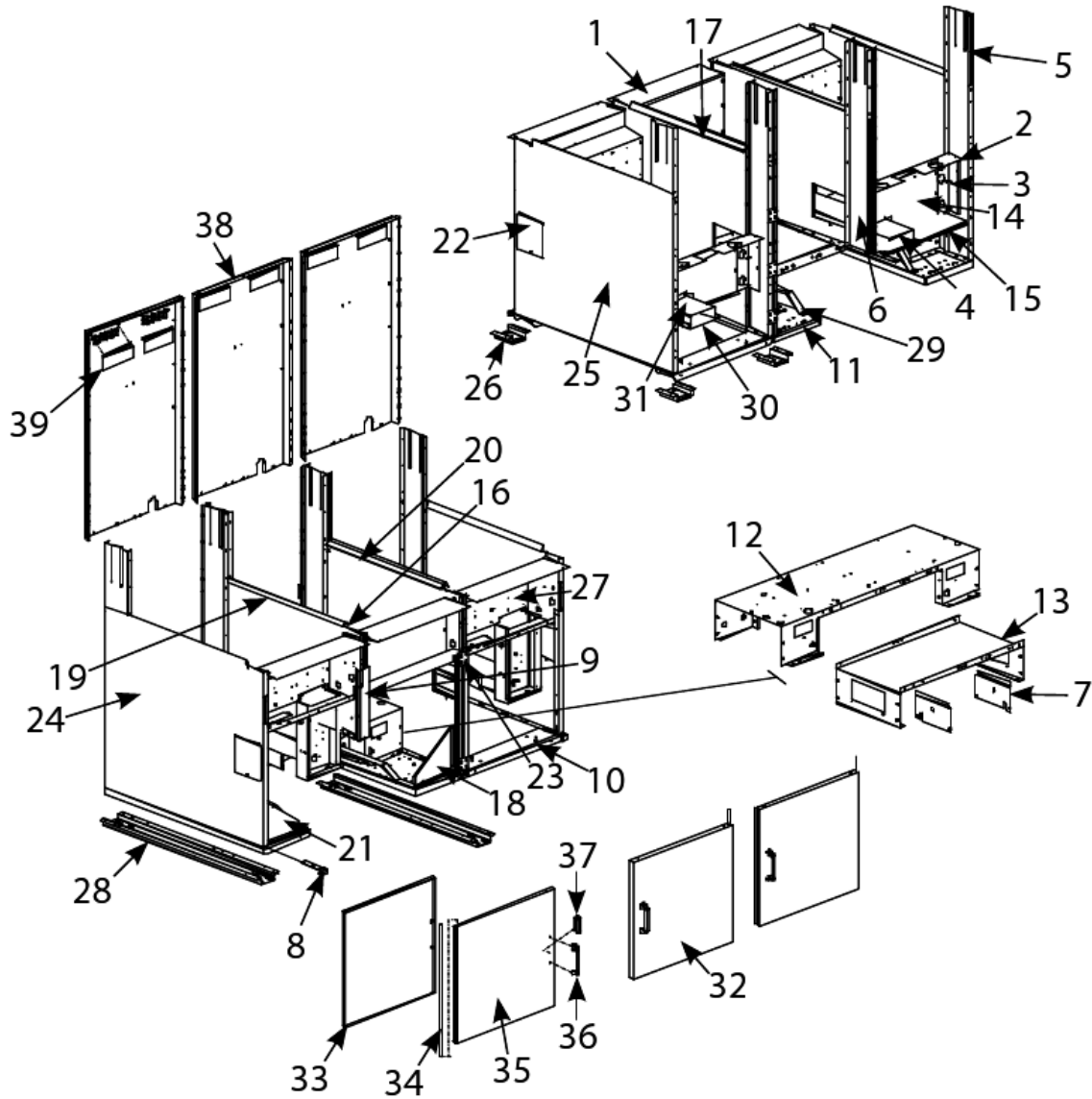
#	PART #	DESCRIPTION	QTY	Note
1	2002564	Mount, Basket Lift Assembly	1	
2	8065964SP	Motor Assembly - 208-240V	1	
3	1062770SP	Resistor Assy, 208-220VAC Modular Basket Lift	1	
3a	1062771	Resistor Assembly, CE, 208-250V Modular Basket Lift	1	
3b	8068530SP	Resistor Assy, 100-120V Modular Basket Lift	1	[1]
4	8072661	Resistor	1	[2]
4a	8073893	Resistor, 50 Ohm- 200V/250V	1	[3]
4b	8072511	Resistor, 25 Ohm- 230V/250V	1	[4]
5	8070159	12-Pin Female	1	
6	8072513	Capacitor - 12.5 MFD/330VAC	1	
8	8072572	Microswitch	1	
9	8090082	Ring, Bushing Retainer	1	
10	8261361	Screw - #2-32 x 1" Slotted Truss Head	1	
11	8090186	Lock Washer w/External Teeth, #8	1	
12	8261366	Nut - #4-40 Keps Hex	1	
13	8090247	Nut - #8-32 Keps Hex	1	
14	8261359	Screw - #4-40 x 0.75" Slotted Round Head	1	
15	8090358	Turnbuckle, Tilt Plate Spring	1	[5]
16	8261371	Screw - #8 x 0.5" Hex Head ZP	1	
17	8261374	Screw - #10 x 0.5" Hex Head	1	
18	8090503	Screw - #8-32 x 0.5" Slotted Truss Head	1	
19	8101012	Rod, Basket Lift	1	
20	8120442	Insulation, Microswitch	1	
21	8130035	Bushing , Oilite .640 I.D.	1	
22	9005529	Gusset, Basket Lift Motor	1	
23	9018499	Chassis, Left Basket Lift	1	
24	9028499	Chassis, Right Basket Lift	1	
25	8071683	Relay, 12VDC Secondary Blower Fan to cool frypot	1	
26	2002565	Enclosure, Basket Lift Assembly	1	
27	2003232	Mount, Conduit- Basket Lift Wire Harness Cover	1	
28	2003224	Cover, Basket Lift Wire Harness	1	
29	1061594SP	Roller Assembly, Bracket	1	
30	8090508	Bolt - 0.25-20 x 1.25"	1	
31	8090190	Washer, .625 X .275 X 40 Flat SS	1	
32	8100374	Spacer, Basket Lift Roller	1	
33	8100194	Roller, Basket Lift	1	
34	8090047	Nut, Cap- 0.25-20 High Profile S/S	1	
35	8090132	Screw, 0.25-20 x 0.75-inch Slotted Pan Head	1	
36	8237189	Basket Lift Arm- Left	1	
37	8237190	Basket Lift Arm- Right	1	

PART NOTES:

- [1] - Used On 480V Fryers
- [2] - For 480V Fryers
- [3] - For 208/220V and 230/250 Fryers
- [4] - For 230/250V Fryers
- [5] - Use with 208V Basket Lifts

Ultimate Series Electric Fryer

Cabinetry and Related Components - EH1721 & 18UE



Ultimate Series Electric Fryer

Cabinetry and Related Components - EH1721 & 18UE

#	PART #	DESCRIPTION	QTY	Note
1	1061724SP	Cover Assembly - Dump Station- Front	1	
2	2001254	Guard, Wire- Top	1	
3	2001255	Guard, Wire- Right Side Center	1	
4	000013508	Fan Cycling Control - 200-250 psig	1	
5	2001284	Channel, Vessel- Outer Back Panel	1	
6	2001285	Channel, Vessel- Outer Back Panel	1	
7	2001331	Shield, Heat	1	
8	2001675	Lower Hinge Bracket	1	
9	2002308	Post, Door	1	
10	2002493	Channel, Base- Front & Rear- 1-Battery	1	
10a	2002534	Channel, Front & Rear- 3-Battery With Dump Station	1	
11	2002526	Channel, Base	1	
12	2003215	Frame, Base- 1721 Systems	1	
12a	2003491	Frame, Base- BIH1721	1	
13	2003264	Base, Cabinet Lower Frame- 1721 Systems	1	
13a	2003494	Base, Cabinet Lower Frame- BIH1721	1	
14	2003242	Guard, Center Rear Wire	1	
15	2002842	Cover, Structural Back- Lower	1	
16	2013216	Panel, Inner-Left Side	1	
17	2012533	Side, Cabinet- Left	1	[1]
18	2012552	Gusset, Side Panel- Left	1	
19	2023216	Panel, Inner- Right Side	1	
20	2022533	Side, Cabinet- Right	1	[1]
21	2022552	Gusset, Side Panel- Right	1	
22	2102756	Duct, Door Access	1	
23	2102848	Bracket, Cabinet Batter	1	
24	2112532	Side, Cabinet- Left	1	
25	2122532	Side, Cabinet- Right	1	
26	8233248	Support, Caster- Channel Base	1	
27	8233458	Wireway Control Panel (Box) Assembly	1	
28	8233468	Channel, Leg Support	1	
29	8233559	Slide, Filter Pan Support	1	
30	2003240	Bottom, Bus Channel	1	
31	8233688	Cover, Bus Channel	1	[2]
32	1060855SP	Door Assembly	1	[3]
33	2001185	Door Panel, Inner	1	
34	2001301	Door Pin	1	
35	2101271	Panel, Door- Outer	1	
36	8100180	Handle	1	
36a	8090918	Screw - #10-24 x 0.5" Slotted	1	
36b	8090191	Washer, Lock 0.25 Spring ZP	1	
37	8100066	Magnet	1	
38	2001252	Back, Cabinet	1	
39	2001283	Wiring Harness Neutral	1	[4]

Ultimate Series Electric Fryer

Cabinetry and Related Components - EH1721 & 18UE

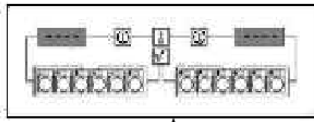
#	PART #	DESCRIPTION	QTY	Note
---	--------	-------------	-----	------

PART NOTES:

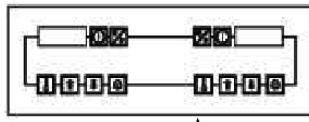
- [1] - With Hole
- [2] - With Bracket
- [3] - Door Pin Not Included
- [4] - No Longer Available

Ultimate Series Electric Fryer

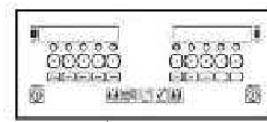
Computers, Controllers and Related Components



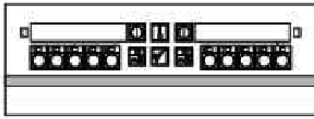
1



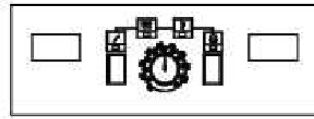
2



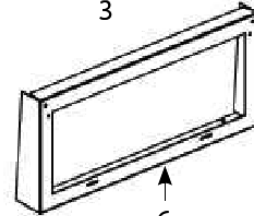
3



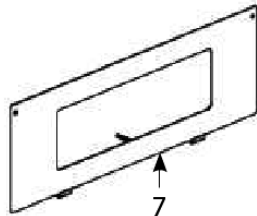
4



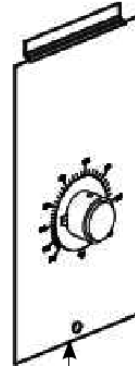
5



6



7



8

Ultimate Series Electric Fryer

Computers, Controllers and Related Components

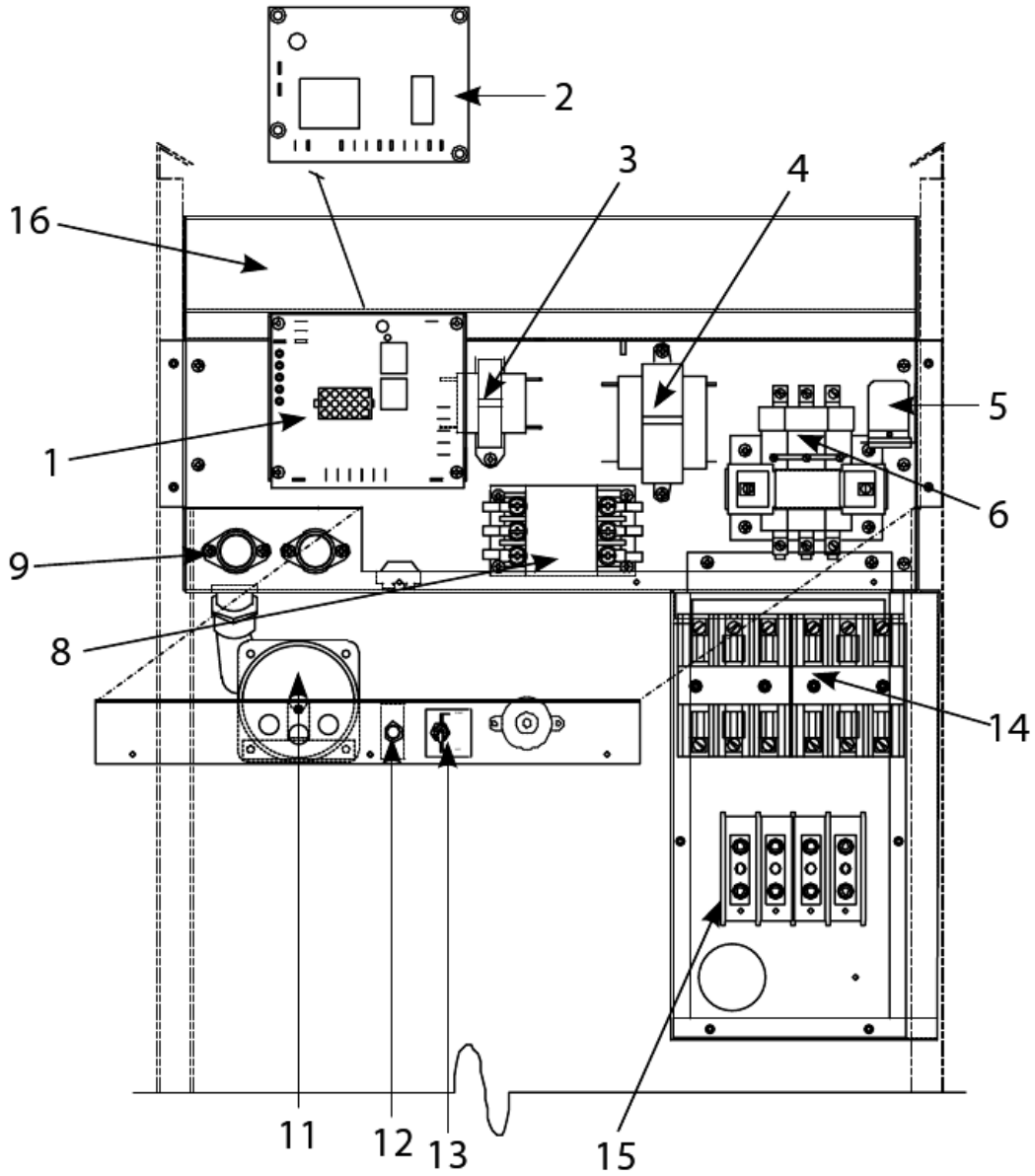
#	PART #	DESCRIPTION	QTY	Note
1	8262310	Computer, CM-III Full-Vat	1	
2	8262303	Digital Controller, Full-vat (Domestic)	1	
2a	8262322	Controller, Digital- Full-Vat- CE	1	[1]
3	1060063	Computer, KFC-1 Electric, Non-CE	1	[2]
3a	1060064	Computer, KFC-1 Electric	1	[1]
4	1081015	Computer, CM4-S- With Bezel Church's Only	1	[3]
5	8067422	Analog Controller, Full-vat	1	[4]
6	2101256	Panel, Control, KFC-1	1	
7	8233433	Bezel, Computer	1	
7a	8232882	Bezel, Computer, KFC-1	1	
8	2101985	Electronic Thermostat Controller, Faceplate, Potentiometer Assembly- 18UE	1	
8a	8022052	Label, Thermatron Dial	1	
8b	8262269	Potentiometer Kit	1	
8c	8100110	Thermostat Knob	1	

PART NOTES:

- [1] - CE
- [2] - Non-CE
- [3] - Segmented Programming
- [4] - 3 On, 12 Off

Ultimate Series Electric Fryer

Contactor, Wireway Box and Related Components



Ultimate Series Electric Fryer

Contactor, Wireway Box and Related Components

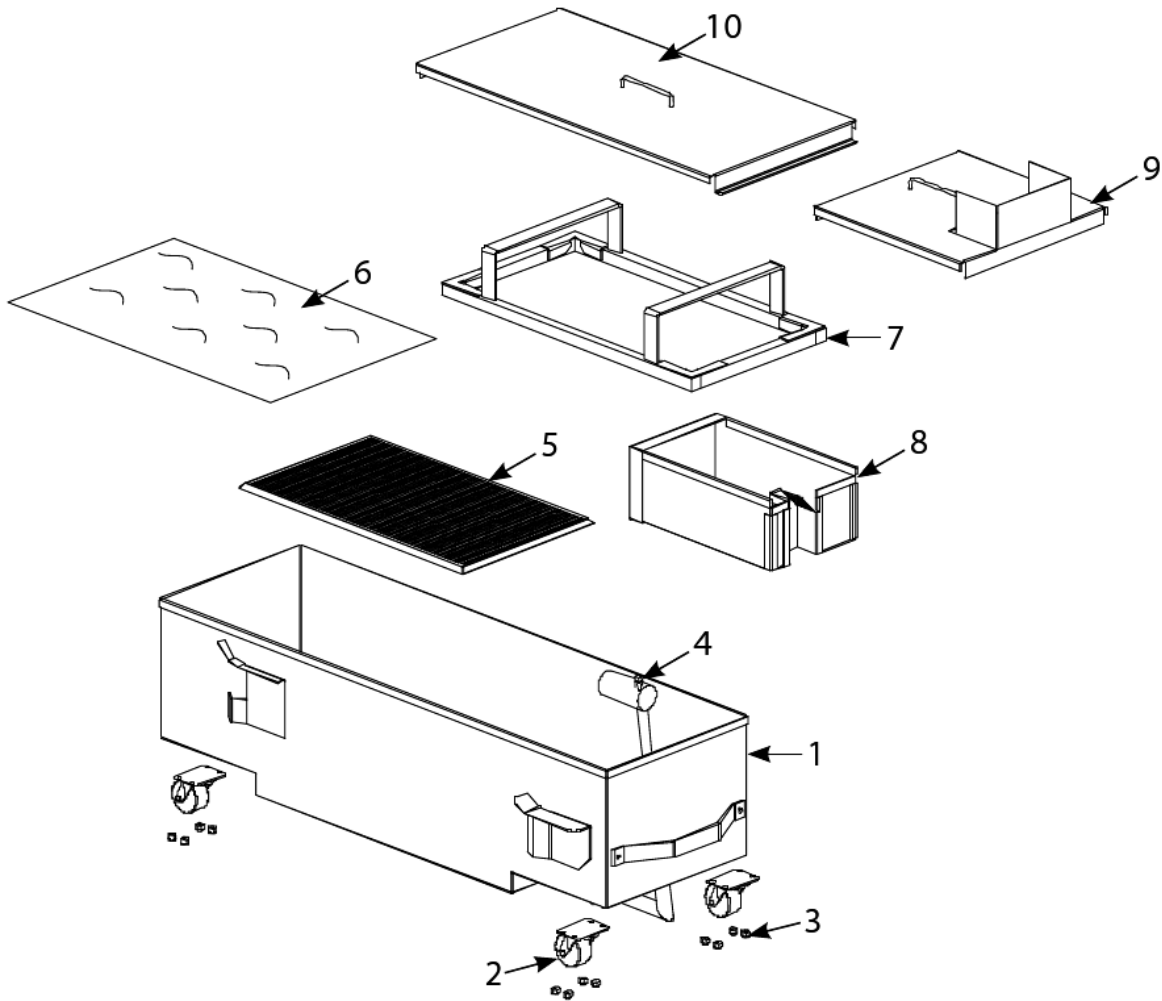
#	PART #	DESCRIPTION	QTY	Note
1	8066336	Interface Board, KFC-1	1	[1]
2	8073722	Interface Board-	1	[2]
3	8070855	Transformer - 120V/50-60 Hz - 12V 20VA	1	[3]
3a	8070979	Transformer, 208V/240V/12V	1	
4	8070800	Transformer, 100-120V/24V 50VA Filter and MIB	1	[3]
4a	8070680	Transformer, 208V, 50/60Hz -24V 20VA	1	
4b	8072108	Transformer, 208-240V 50/60Hz -24V 50VA	1	
5	8073611	Relay, 24-Amp	1	
6	8071071	Contactor, Mercury 24 VAC 30 Amp	1	[4]
6a	8070884	Contactor, Mercury- 240VAC 50-Amp	1	[5]
7	8072283	Contactor, 24V 63 Amp Mechanical	1	
8	8101202	Contactor, 24V 40 Amp Mechanical	1	
9	8070922	Holder, Bus Fuse	1	
10	8072278	Fuse, 20 Amp	1	
11	8063660	Sound Device, High Output for M100B	1	
12	8073538	Circuit Breaker - 5 amp	1	[6]
12a	8073577	Circuit Breaker - 7 amp	1	[7]
13	8073539	Switch, Toggle- Filter Bypass- ON-OFF	1	
14	8070501	Fuseholder block	1	
15	8072465	Power Block- 3-Phase (Wye)	1	
15a	8073610	Power Block- 3-Phase (Delta)	1	
16	8233458	Wireway Control Panel (Box) Assembly	1	
17	8160570	Cover, Wireway Control Box	1	[8]
18	8070331	Transformer-250VA, 480V Applications, w/Basket Lift	1	[9]
18a	8070064	Transformer, 480V/120V 150 VA	1	[10]
19	8070800	Transformer, 100-120V/24V 50VA Filter and MIB	1	[11]
19a	8070680	Transformer, 208V, 50/60Hz -24V 20VA	1	[11]
20	8240955	Cover, 480V Transformer- Left Side	1	
21	2001291	Cover, Terminal Block- All Except Thermatron Controller	1	[12]
22	1803501	Burner - 40K, 60K, 80K	1	[13]

PART NOTES:

- [1] - All Except Electronic Thermostat Controller
- [2] - Electronic Thermostat Controller Only
- [3] - 480V Units
- [4] - 17 kW Units
- [5] - 21 kW Units
- [6] - 230V Filter Circuit
- [7] - 120V Filter Circuit
- [8] - Clear Lexan
- [9] - With Basket Lift
- [10] - Without Basket Lift
- [11] - UFF 100 Pump Motor Relay
- [12] - All Except Thermatron Controller
- [13] - Thermatron Controller Only

Ultimate Series Electric Fryer

Filter Pan and Related Components - Single Under Fryer Filter (SUFF) – BIH1721 and



Ultimate Series Electric Fryer

Filter Pan and Related Components - Single Under Fryer Filter (SUFF) – BIH1721 and

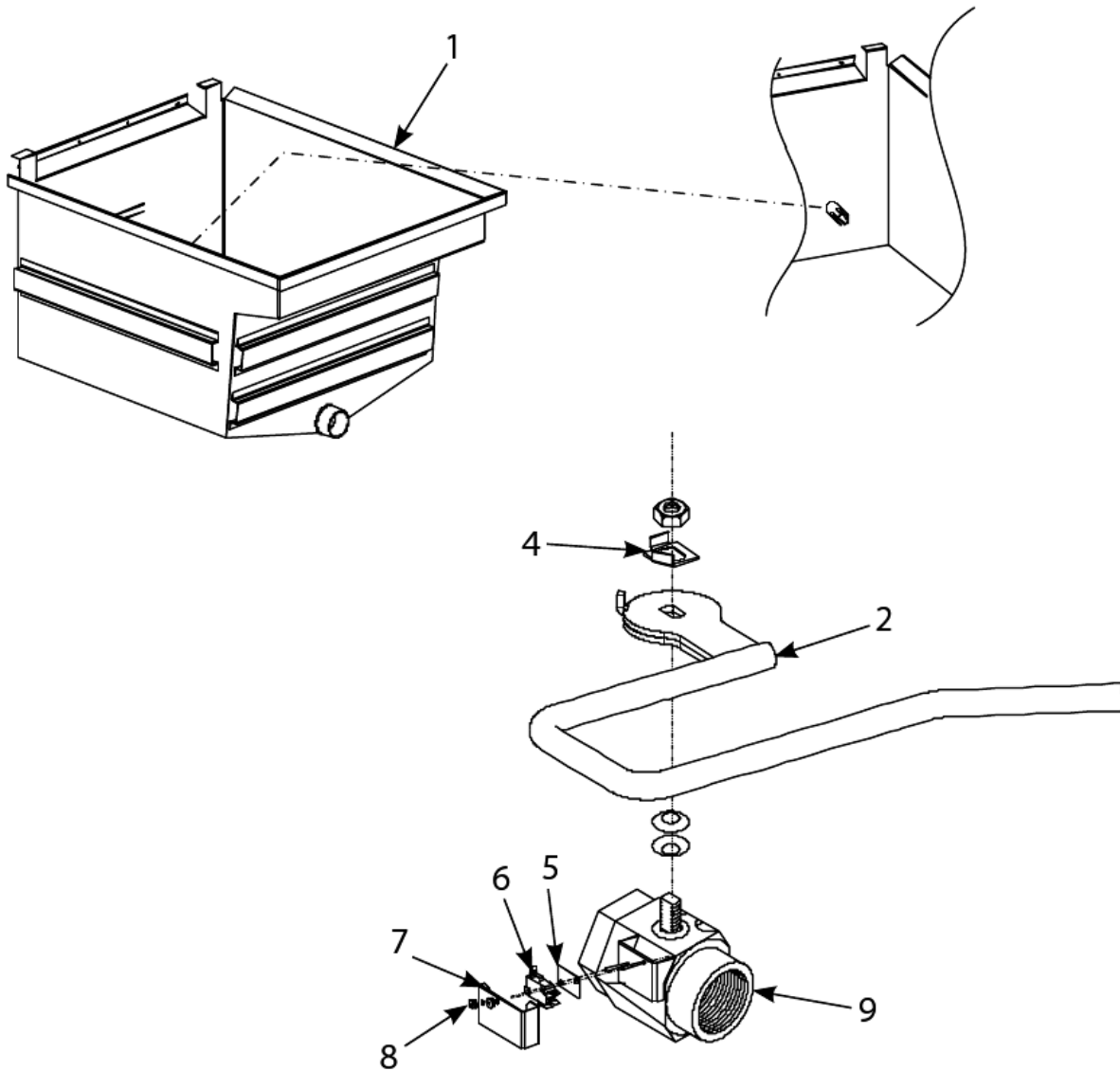
#	PART #	DESCRIPTION	QTY	Note
1	1062225SP	Filter Pan, SUFF 60 18UE/BIH1721	1	
2	8102805	Caster - 2"	1	
3	8090823	Nut, Nylock, 0.25-20	1	
4	8130679	Plug, 0.125" SS NPT, Sq-Head	1	
4a	8130684	Plug, Hex Socket, 0.375" NPT	1	
5	8233769	Support Grid (Bottom Pan Screen)- SUFF 60 18UE/BIH1721	1	[1]
6	8030289	Filter Paper - 22" x 34"	1	
7	8235421	Support Grid, Bottom Pan Screen	1	[2]
8	8235423	Crumb Basket	1	
9	8233766	Filter Pan Cover, Front- All SUFF 60	1	
10	8233767	Filter Pan Cover, Back- All SUFF 60	1	

PART NOTES:

- [1] - Bottom Pan Screen SUFF 60 BIH1721
- [2] - SUFF 60 BIH1721

Ultimate Series Electric Fryer

Frypot and Drain Valve Components



Ultimate Series Electric Fryer

Frypot and Drain Valve Components

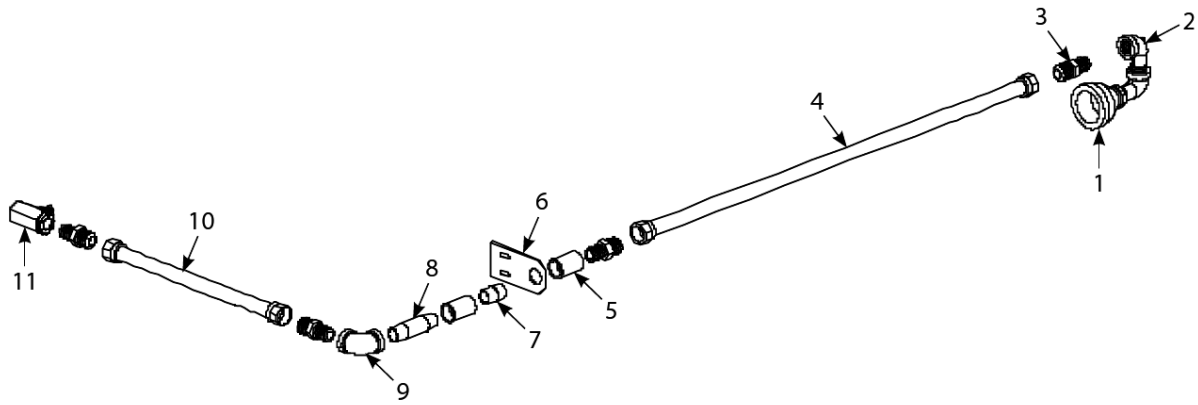
#	PART #	DESCRIPTION	QTY	Note
1	8238034SP	Frypot	1	
1a	8234290	Frypot- EH1721 With 3 Oil-Level Lines	1	
2	8234233	Handle, Drain Valve- Filter Units Only	1	
2a	8234187	Handle, Drain Valve- Single Fryers Only	1	
3	8160547	Cap, Vinyl- Red	1	
4	2001257	Retainer, Drain Valve Nut	1	
5	8160220	Insulation, Microswitch	1	
6	8072104	Microswitch	1	[1]
7	2101269	Guard, Drain Valve Microswitch	1	
8	8261366	Nut - #4-40 Keps Hex	1	
9	8233236	Valve, Drain- With Washers, Nut and Bracket	1	

PART NOTES:

[1] - Domestic and CE

Ultimate Series Electric Fryer

Oil Drain Flush Components



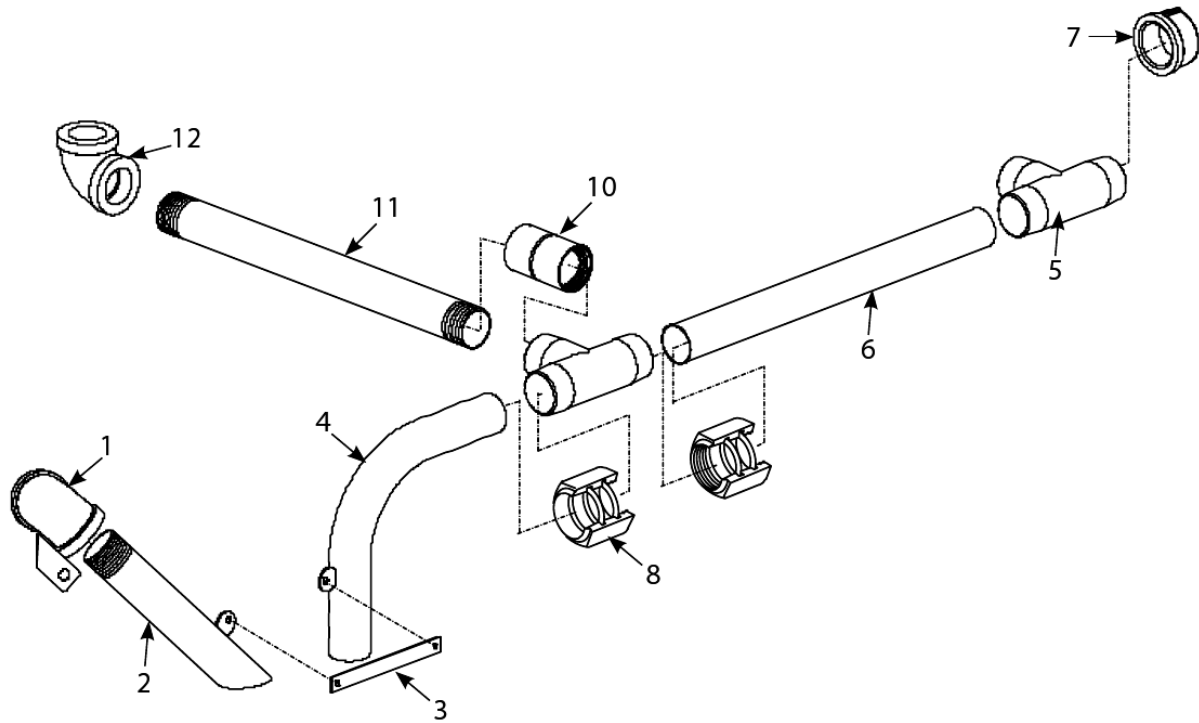
Ultimate Series Electric Fryer

Oil Drain Flush Components

#	PART #	DESCRIPTION	QTY	Note
1	8130686	Cap, Drain Flush End	1	
2	8130165	Elbow - 0.5" x 90° NPT Street	1	
3	8101668	Male Adaptor - 0.625" OD x 0.5"	1	
4	8101069	Flexline - 0.625" OD x 29.5" L	1	
5	8130051	Coupling, 0.5" NPT BM	1	
6	9001958	Support, Oil Return	1	
7	8130022	Nipple, 0.5" Close NPT BM	1	
8	8130460	Nipple, 0.5-inch X 3.0-inch NPT	1	
9	8130062	Elbow - 0.5" BM x 90°	1	
10	8101057	Flexline - Oil Return - 13" L	1	
11	8100278	Valve, 0.5" Ball	1	
12	8233481	Handle - Oil Flush Valve	1	
13	8160549	Cap, Flush Valve Handle- Blue	1	
14	8071419	Heater Strip Assembly, 240V, 45W 36"	1	

Ultimate Series Electric Fryer

Oil Drain Manifold Components



Ultimate Series Electric Fryer

Oil Drain Manifold Components

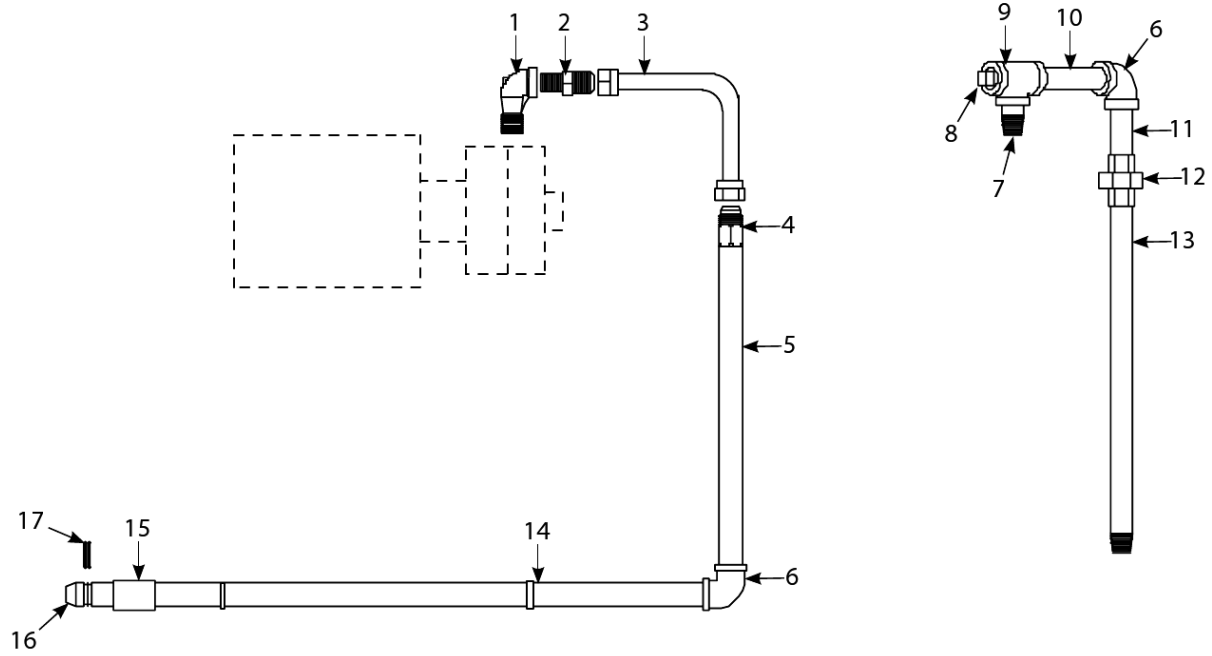
#	PART #	DESCRIPTION	QTY	Note
1	8233221	Elbow With Bracket, Drain- Left	1	[1]
2	8233558	Drain Pipe, Left Side	1	
3	2102311	Clamp, Center- Drain Pipe	1	
4	8233441	Pipe, Drain- Right- D565	1	
5	8130722	Tee, 1-0.5" NPT Male x 5-0.5" Long	1	
6	2001840	Drain Manifold Tube	1	
7	8130659	Cap, 1.5-inch NPT Pipe	1	
8	8090884	Nut, Slip-Joint	1	
9	8160544	O-Ring	1	[2]
10	8130818	Coupling, Full 1-0.5"-SS	1	
11	8130723	Nipple, 1-0.5" x 8" NPT BM	1	
12	8130667	Elbow, 1-0.5" x 90° SS	1	

PART NOTES:

- [1] - Drain Valve Handle
- [2] - Slip-Joint Nut

Ultimate Series Electric Fryer

Oil Return Line Assemblies



Ultimate Series Electric Fryer

Oil Return Line Assemblies

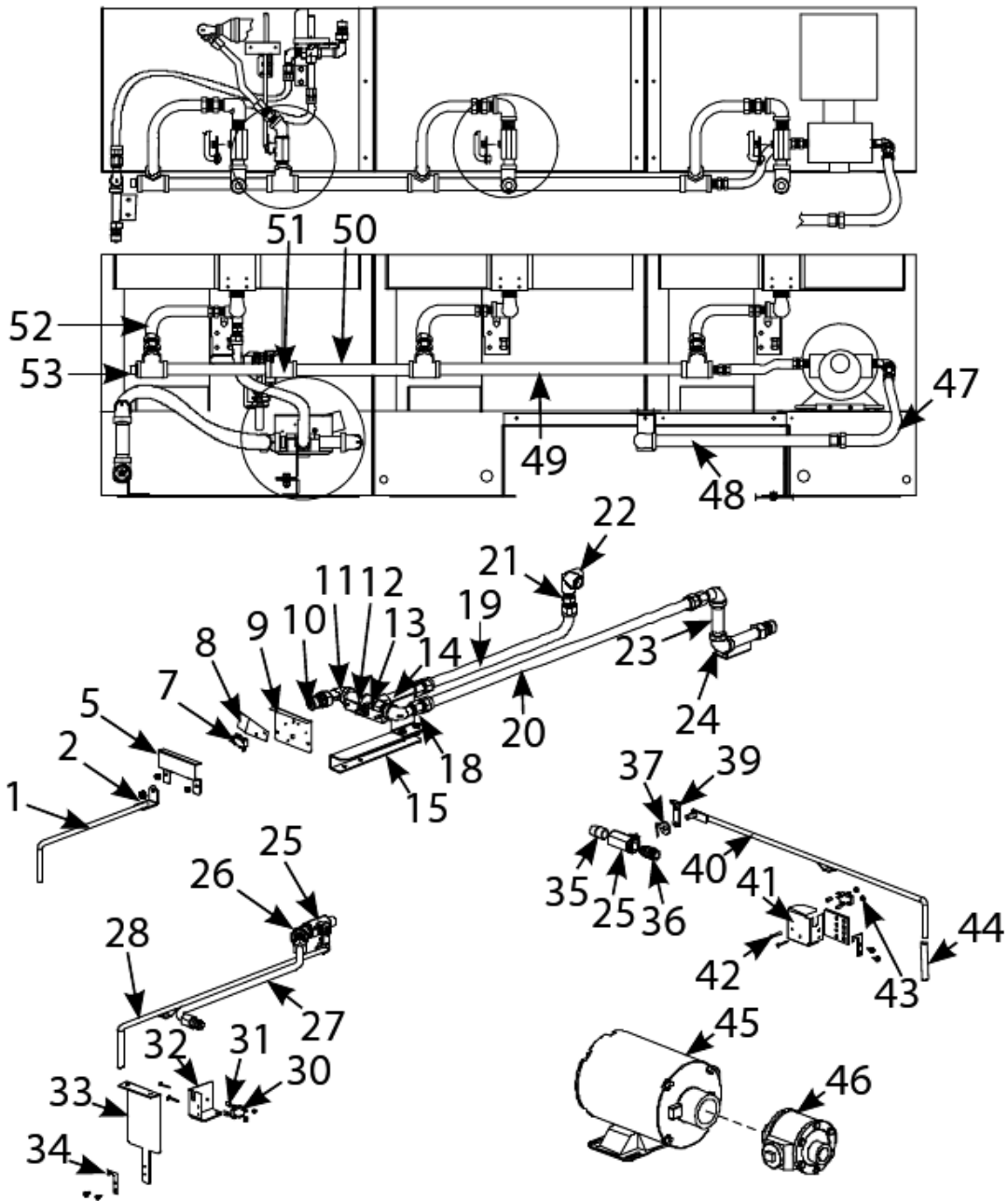
#	PART #	DESCRIPTION	QTY	Note
1	8130165	Elbow - 0.5" x 90° NPT Street	1	
2	8101668	Male Adaptor - 0.625" OD x 0.5"	1	
3	8101159	Flexline - Oil Return - 5" L	1	
4	8101669	Female Adaptor - 0.875" OD x 0.5"	1	
5	8130429	Nipple - 0.5" NPT x 13.0" BM	1	
6	8130062	Elbow - 0.5" BM x 90°	1	
7	8130022	Nipple, 0.5" Close NPT BM	1	
8	8130463-FRY	Plug - 0.5" NPT	1	
9	8130003-FRY	Tee - 0.5" NPT	1	
10	8130281-FRY	Nipple - 0.5" NPT x 5"	1	
11	8130091	Nipple - 0.5 NPT x 2-0.5" NPT BM	1	
12	8130173	Union, 0.5-inch NPT	1	
13	8130381	Nipple - 0.5" x 18-0.5" NPT BM	1	
14	8233562	Suction Tube	1	
15	8130608	Coupling, Full	1	
16	8100697	Disconnect, Male	1	
17	8261392	O-Ring	5	[1]
18	8065932	Heater Strip - 240V/45W - 36" L	1	

PART NOTES:

[1] - 2 Required

Ultimate Series Electric Fryer

Oil Return Manifold, Motor and Pump Components



Ultimate Series Electric Fryer

Oil Return Manifold, Motor and Pump Components

#	PART #	DESCRIPTION	QTY	Note
1	8234234	Handle, Wand/Disposal	1	
2	8090056	Nut - 0.3125"- 24, Hex Head, Nylon Lock	1	
3	8090681	Nylon Washer - 0.34" ID x 0.74" OD	1	
4	8090194	Flat Washer - 0.3125" ZP	1	
5	9002110	Cover - Microswitch	1	
6	8261376	Nut - #10-32 Keps Hex	1	
7	8072104	Microswitch	1	
8	8120442	Insulation, Microswitch	1	
9	9002112	Support, Microswitch Mount, Dual-vat	1	
10	8100487	Coupling, Male, Quick Disconnect	1	
11	8130165	Elbow - 0.5" x 90° NPT Street	1	
12	8130265	Nipple - 0.5" x 2.5" NP	1	
13	8101003	Valve, 180° 3-way Ball	1	
14	8234196	Nipple Weld Assembly- Three-Way Valve	1	
15	2004996	Bracket, Mounting Base	1	
16	8261389	Screw - 0.25"-20 x 0.75" Hex Head ZP	1	
17	8090070	Nut, 0.25-20 Hex, S/S	1	
18	8101669	Female Adaptor - 0.875" OD x 0.5"	1	
19	8101369	Flexline - Oil Return - 17.5" L	1	
20	8101069	Flexline - 0.625" OD x 29.5" L	1	
21	8101668	Male Adaptor - 0.625" OD x 0.5"	1	
22	8130331	Elbow, V-Side Outlet 0.5" NPT	1	
23	8130247	Nipple, 0.5 x 3.5" NPT BM	1	
24	8130062	Elbow - 0.5" BM x 90°	1	
25	8100278	Valve, 0.5" Ball	1	
26	8130342	Elbow, 0.5-inch 45° Street	1	
27	8102626	Tubing, Flare- Oil Return- 3-Battery Church's	1	
28	8234220	Handle, Drain Flush Valve	1	
29	8160549	Cap, Flush Valve Handle- Blue	1	[1]
30	8072104	Microswitch	1	
31	8102144	Spacer	1	
32	2005056	Bracket - Microswitch	1	
33	2105057	Bracket, Main Mount- Microswitch Drain Flush	1	
34	2001341	Bracket, Oil Return Handle	1	
35	8130022	Nipple, 0.5" Close NPT BM	1	
36	8130087	Nipple, 0.5-inch NPT x 1.5-inch (3.8 cm)	1	
37	8090885	Washer, 0.375 x 1 x .083" Type A Plain	1	
38	8090843	Pin, Cotter- Plated	1	[2]
39	2015721	Handle, Left Dual-Vat Valve	1	
40	8233238	Handle, Oil Return Activate	1	
41	2021233	Bracket, Oil Return Microswitch	1	
42	8090846	Screw, 4-40 x 1"	1	
43	8261366	Nut - #4-40 Keps Hex	1	[3]
44	8160548	Cap, Yellow Vinyl Oil Return Handle	1	[4]
45	8102100	Motor, Filter Pump	1	
46	8102098	Pump, Filter- 8GPM	1	

Ultimate Series Electric Fryer

Oil Return Manifold, Motor and Pump Components

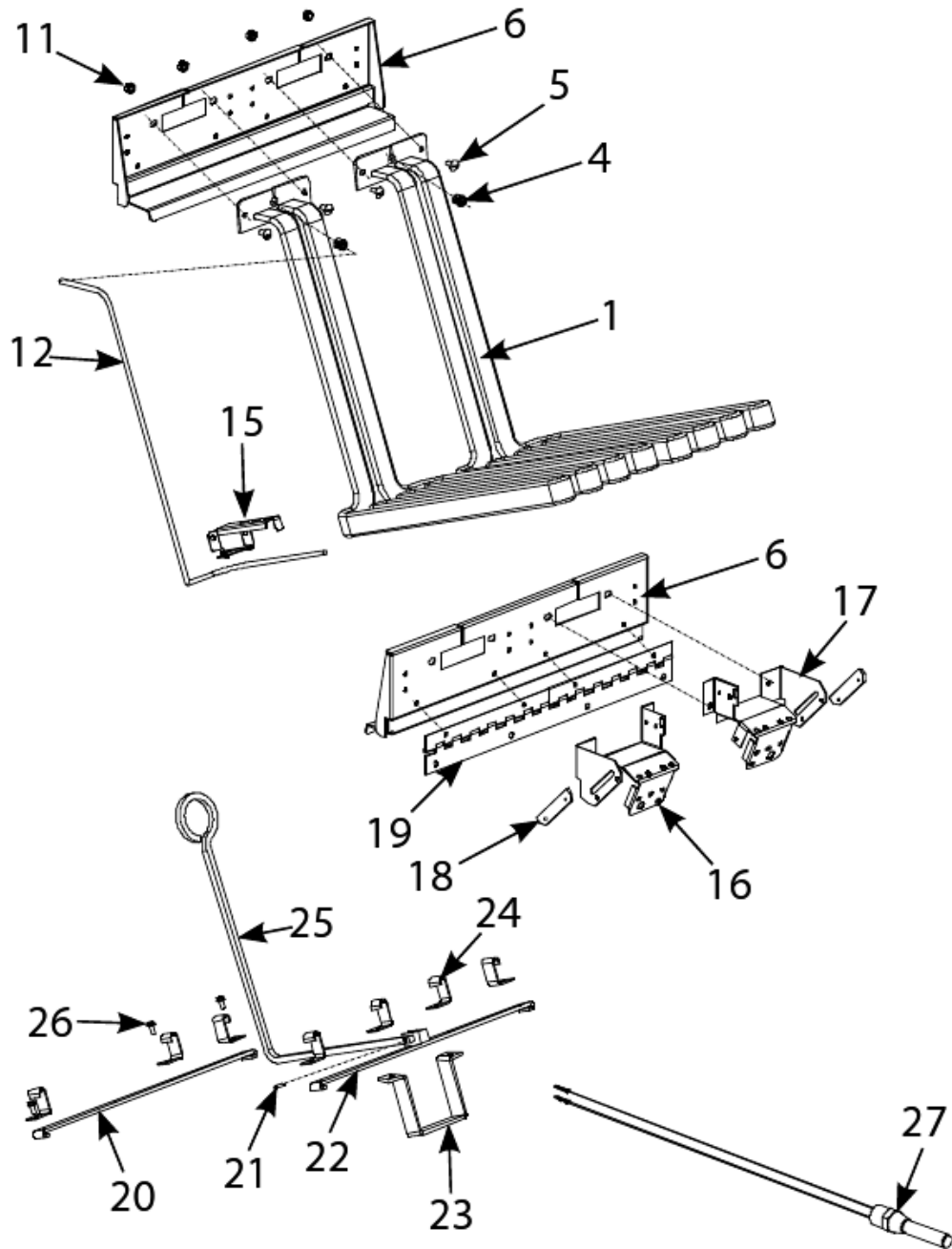
#	PART #	DESCRIPTION	QTY	Note
47	8101159	Flexline - Oil Return - 5" L	1	
48	8130429	Nipple - 0.5" NPT x 13.0" BM	1	
49	8130381	Nipple - 0.5" x 18-0.5" NPT BM	1	
50	8130673-FRY	Nipple - 0.5" x 8-0.5" NPT BM	1	
51	8130003-FRY	Tee - 0.5" NPT	1	
52	8101680	Flexline - 0.625" OD x 6.5" L	1	
53	8130463-FRY	Plug - 0.5" NPT	1	

PART NOTES:

- [1] - Drain Flush/Rinse/Dispose Valve
- [2] - For Retaining Washer/Rod to Arm
- [3] - With External Teeth
- [4] - Oil Return

Ultimate Series Electric Fryer

Probes, High-Limits, Elements and Related Components



Ultimate Series Electric Fryer

Probes, High-Limits, Elements and Related Components

#	PART #	DESCRIPTION	QTY	Note
1	8073652	Element- 208V 8.5 kW	1	
1a	8073675	Element- 480V 10.25 kW	1	
1b	8073655	Element- 240V 8.5 kW (use for 220V 7 kW)	1	
1c	8073657	Element- 208V 9.0 kW	1	
1d	8073658	Element- 240V 9.0 kW	1	
1e	8072557	Element- 208V 10.25 kW	1	
1f	8073655	Element- 240V 8.5 kW (use for 220V 7 kW)	1	[1]
1g	8073660	Element- 220V 8.5 kW (use for 200V 7 kW)	1	
1h	8073661	Element- 220V 10.25 kW	1	
1i	8073662	Element- 230V 7 kW	1	
1j	8073663	Element- 230V 8.5 kW	1	
1k	8073664	Element- 230V 10.25 kW	1	
1l	8072637	Element- 240V 10.25 kW	1	
1m	8073660	Element- 220V 8.5 kW (use for 200V 7 kW)	1	[2]
2	8072137	Connector, Element- Male, 9-Pin	1	
2a	8072138	Connector, 9-Pin Female	1	
2b	8072135	Connector, Element- Male (High Amp), 6-Pin	1	[3]
2c	8072136	Connector, 6-Pin Female	1	[3]
3	8030387	Grid, Basket Support	1	
3a	8030149	Grid, Frypot	1	
4	8261339	Bushing, .375-inch Split	10	
5	8261330	Screw, 10-32 x 0.375-inch Slot Head SS	25	
6	2101313	Tilt Plate	1	
7	9005378	Bracket, Tilt Plate Spring	1	
8	8090358	Turnbuckle, Tilt Plate Spring	1	[4]
9	8100297	Spring, Element	1	
10	2002932	Cover, Lower Back Wire	1	
11	8261376	Nut - #10-32 Keps Hex	10	
12	8261791	Probe, Temperature- 15"	1	[5]
13	8073653	Probe, Temperature- Electronic Thermostat Controller Only	1	[6]
14	8071068	2-Pin Female	1	
15	9105022	Bracket, Temperature Probe	1	
16	1060572SP	Tilt Plate Assembly, Bracket, Left Spring Slot	1	
17	1060573SP	Tilt Plate Assembly, Bracket, Right Spring Slot	1	
18	8160214	Nylon Bar, Tilt Plate Spring Bracket	1	[7]
19	8100035	Hinge	1	
20	2304915	Support - Element	1	
21	8101212	Pin, .125 X .5-inch Split	1	
22	8237586	Support, Front- Full-vat Element	1	[8]
23	2101610	Support, Bottom- Full-vat Element	1	
24	9102042	Clamp, Element	1	[9]
25	8101233	Handle, Element Lift	1	
26	8090518	Screw, 8-32 x 0.375-inch Hex Washer Slotted Head SS	1	
27	8068035SP	High-limit Thermostat	1	

Ultimate Series Electric Fryer

Probes, High-Limits, Elements and Related Components

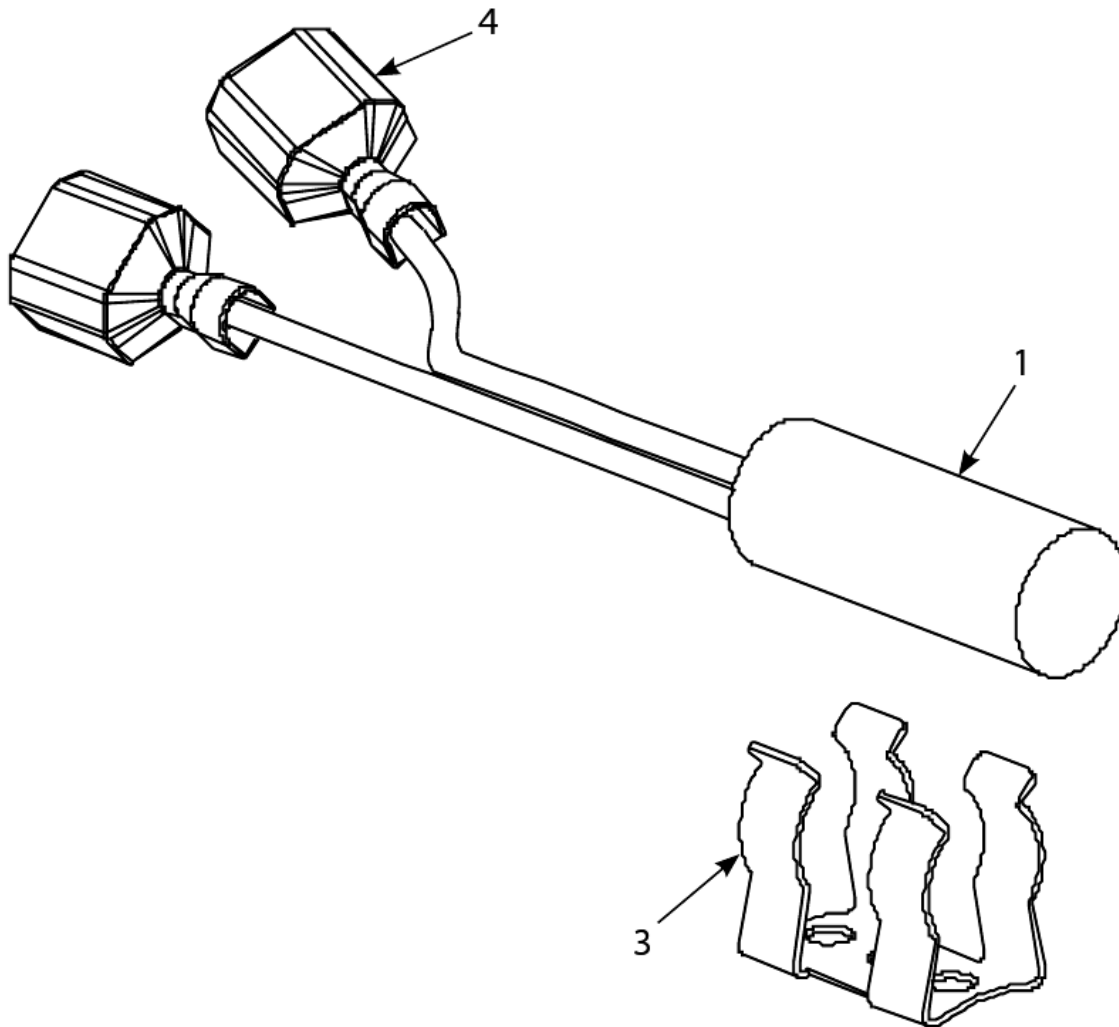
#	PART #	DESCRIPTION	QTY	Note
---	--------	-------------	-----	------

PART NOTES:

- | | | | | |
|-----|---|---|--|--|
| [1] | - | USE FOR 220V 7 kW | | |
| [2] | - | USE FOR 200V 7 kW | | |
| [3] | - | High Amp | | |
| [4] | - | Early Production Units | | |
| [5] | - | With Ty WrapAll Except Electronic Thermostat Controller | | |
| [6] | - | Electronic Thermostat Controller Only | | |
| [7] | - | Use .123 x .379" Pop Rivet To Attach | | |
| [8] | - | Without Handle and Spring Pin | | |
| [9] | - | Short | | |

Ultimate Series Electric Fryer

Tilt Safety Switch Components



Ultimate Series Electric Fryer

Tilt Safety Switch Components

#	PART #	DESCRIPTION	QTY	Note
1	8262741-AS	Switch, Tilt Safety	1	
2	8090874	Ty Wrap, Plastic- 4"	1	[1]
3	8071570	Clip, Tilt Switch	1	
4	8071397	Terminal, Push-On- Fully Insulated	1	
5	8090250	Nut, 6-32 Keps Hex	1	
6	8090096	Screw, 6-32 x 0.625-inch Slot Head	1	
7	8261374	Screw - #10 x 0.5" Hex Head	25	
8	8090766	Nut, 10-32 Keps Hex SS	1	

PART NOTES:

[1] - Operating Temperature 265°F