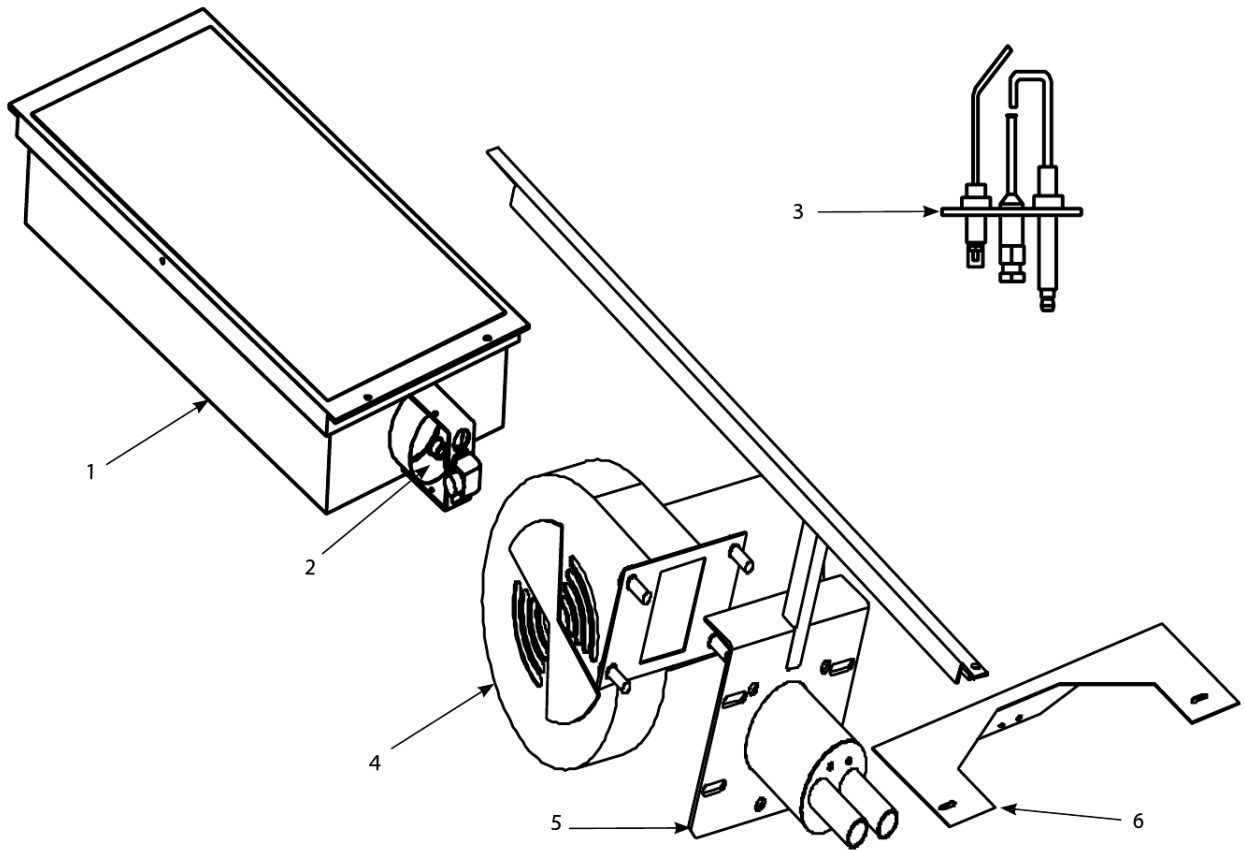


# FBCR18 & FBKR18 Series Gas Rethermalizers

## Burner System Components



# FBCR18 & FBKR18 Series Gas Rethermalizers

## Burner System Components

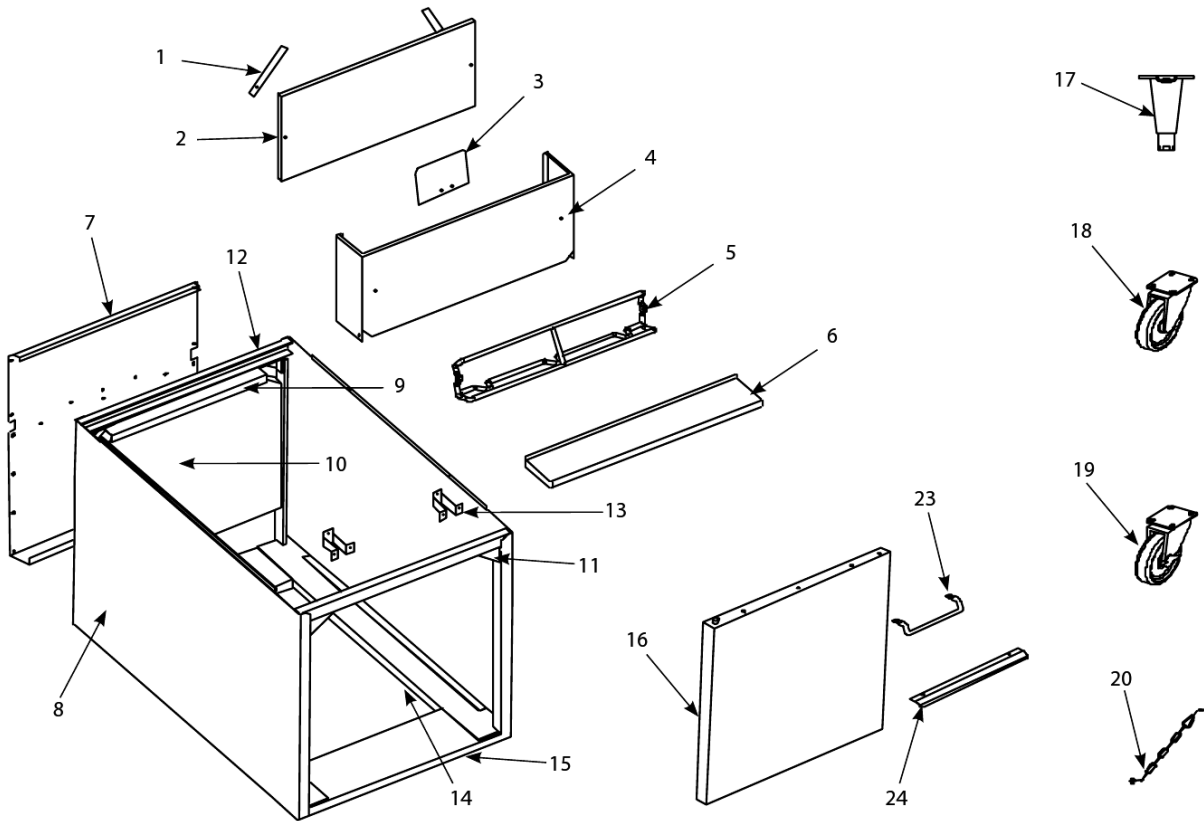
#	PART #	DESCRIPTION	QTY	Note
1	8065563SP	Burner Assembly, Natural Gas w/3.26mm Orifice	1	
1a	8065564SP	Burner Assembly, Propane Gas w/2.00mm Orifice	1	
2	8101382	Burner Assembly, Natural or Propane Gas Burner w/o Orifice	1	
3	8100916	Orifice, Natural Gas, 3.26mm	1	
3a	8100917	Orifice, Propane Gas w/2.00mm	1	
4	8100521	Ignitor, Natural Gas	1	
4a	8100608	Ignitor, Propane Gas	1	
5	8071564	Motor, Blower, 120VAC/60 Hz	1	
6	8232528	Mount, Blower	1	
7	9005525	Bracket, Blower Support	1	
8	8160055	Insulation, Blower Mount	1	
9	8100507	Spacer, .23-inch x .75-inch	1	
10	8075009	Ignition Cable - 19" L	1	[1]
11	8160165	Insulation, GSMS/GBC/GC Ignitor	1	
12	8065541	Wire, Flame Sensor	1	[1]
13	8160278	Hose, 0.625-inch Air	1	
14	8232526	Bracket and Tube Assembly, Left Air Hose	1	
15	8232685	Bracket and Tube Assembly, Right Air Hose	1	
16	9001789	Enrichment Tube	1	

### PART NOTES:

[1] - See illustration on Page 7-3

# FBCR18 & FBKR18 Series Gas Rethermalizers

## Cabinetry and Associated Components



# FBCR18 & FBKR18 Series Gas Rethermalizers

## Cabinetry and Associated Components

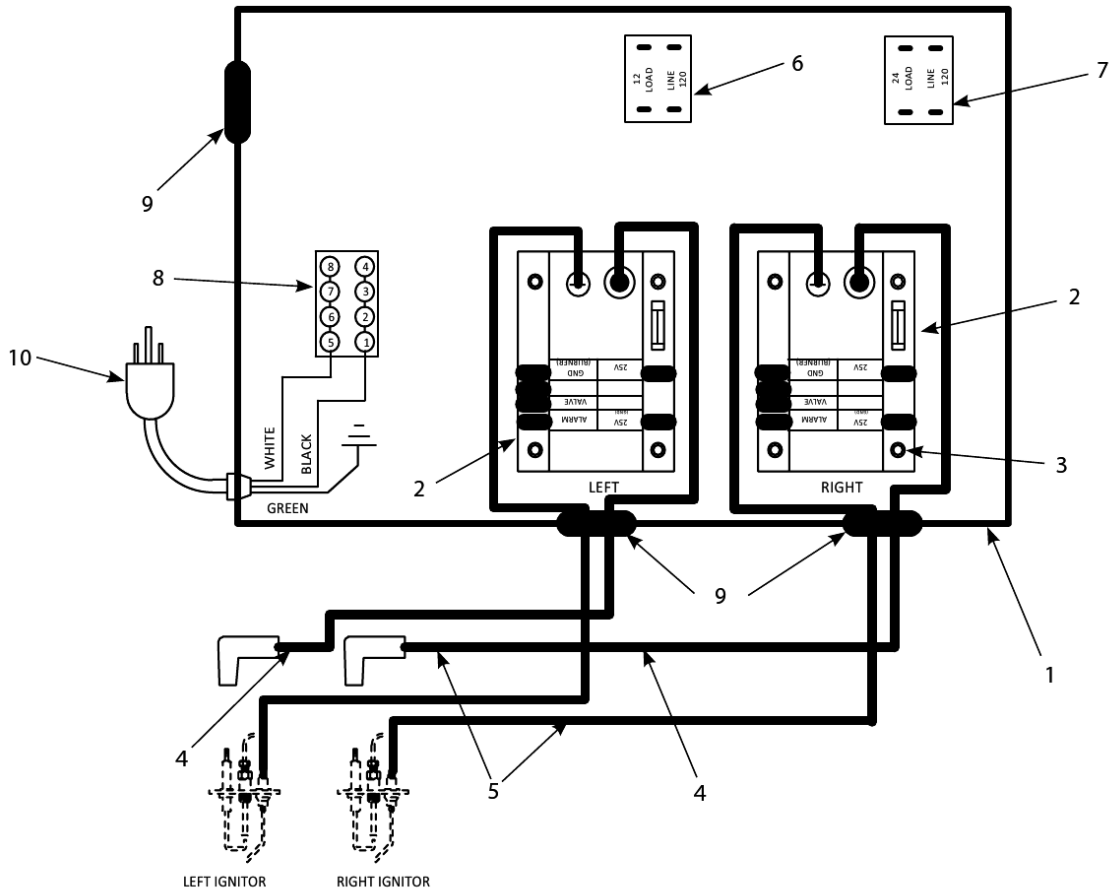
#	PART #	DESCRIPTION	QTY	Note
1	9101181	Retainer, Flue Cap Insulation	1	
2	8160157	Insulation, Upper Flue, 8.5" x 18.0"	1	
3	9004603	Flue Guard	1	
4	8232107	Flue Cap	1	
5	8102263	Hanger, Basket	1	[1]
6	9107434	Top Cap	1	
7	9007379	Back, Cabinet	1	
8	9007377	Side, Left or Right Cabinet, Enameled Mild Steel	1	
9	9004521	Retainer, Cabinet Back Insulation	1	
10	8121141	Insulation, Cabinet Back	1	
11	9001552	Gusset	1	
12	9004505	Top Brace	1	
13	9001759	Bracket, Pot Hold-Down	1	
14	9007376	Channel, Base Side, Left or Right	1	
15	9004504	Channel, Base Front or Rear	1	
16	1060590	Door Assembly, Left or Right	1	
17	8263811	Leg Assembly	1	[2]
18	8100356	Caster without Brake - 5"	1	
19	8100357	Caster with Brake - 5"	1	
20	8260900	Kit, Chain Restraint	1	
21	8065209	Leg Pad Assembly	1	
22	8121142	Insulation, Cabinet Back	1	
23	8101422	Handle, Wireform Door	1	[3]
24	2109214	Two and Three Station Fryers, Handle, Door	1	[4]

### PART NOTES:

- [1] - replaced extruded aluminum hanger, no longer available
- [2] - set of four
- [3] - cannot replace 2109214
- [4] - cannot replace 8101402

# FBCR18 & FBKR18 Series Gas Rethermalizers

## Control Box Assembly and Associated Parts



Control Box Assembly and Associated Parts

# FBCR18 & FBKR18 Series Gas Rethermalizers

## Control Box Assembly and Associated Parts

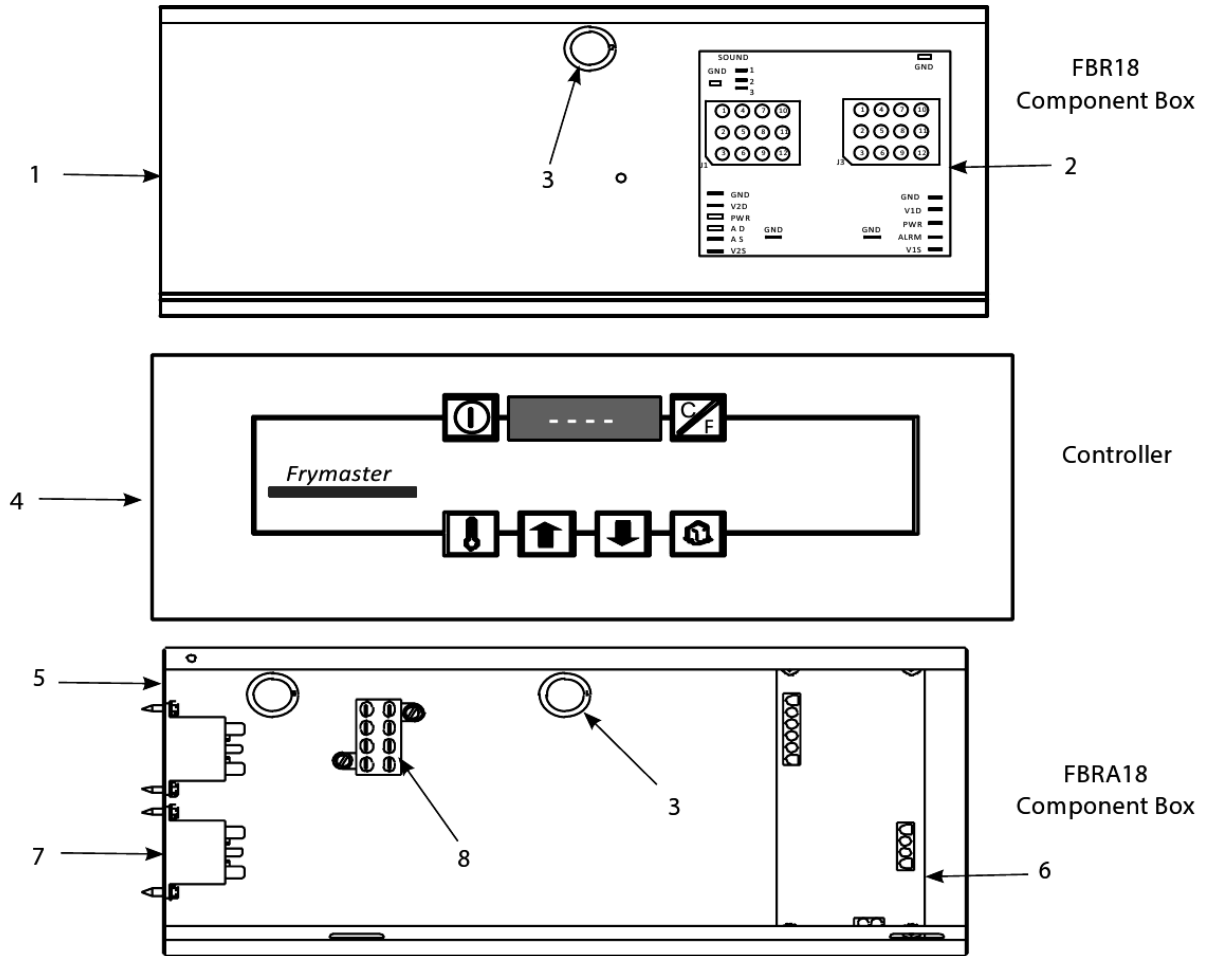
#	PART #	DESCRIPTION	QTY	Note
1	9004509	Control Box Mounting Base	1	
2	8263271	Ignition Module	1	[1]
3	8261346	Spacer, Ignition Module	1	
4	8073964	Cable, Ignition, 36-inch	1	
5	8065541	Wire, Flame Sensor	1	
6	8070855	Transformer - 120V/50-60 Hz - 12V 20VA	1	
7	8070800	Transformer, 100-120V/24V 50VA Filter and MIB	1	
8	8070067	Terminal Block, 8-Pin	1	
9	8100045	Bushing, .875 Dia. Hole 0.6875"	1	
10	8065332SP	Electrical Cord - 3-Wire/3-Prong Plug	1	
11	9004508	Control Box Heat Shield	1	
12	9004510	Control Box Side	1	
13	8069334SP	Wiring Harness - 12-pin	1	
14	8069335SP	Wiring Harness - 9-pin	1	

**PART NOTES:**

[1] - fuse-protected

# FBCR18 & FBKR18 Series Gas Rethermalizers

## Controller and Component Box Assemblies



# FBCR18 & FBKR18 Series Gas Rethermalizers

## Controller and Component Box Assemblies

#	PART #	DESCRIPTION	QTY	Note
1	8240396	Control Box	1	[1]
2	8063398	Interface Board	1	[1]
2a	8090394	Spacer, Interface Board Standoff, 4mm x 6mm	1	[1]
2b	8071241	Spacer, Interface Board	1	[2]
3	8100045	Bushing, .875 Dia. Hole 0.6875"	1	[3]
4	8065303	Controller, Digital	1	[3]
5	8069414	Control Box Assembly	1	[2]
6	8069592	Interface Board	1	[2]
7	8071683	Relay, 12VDC Secondary Blower Fan to cool frypot	1	[2]
8	8070067	Terminal Block, 8-Pin	1	

### PART NOTES:

- [1] - used on FBR18 only
- [2] - used on FBRA18 only
- [3] - used on FBR18 and FBRA18



# FBCR18 & FBKR18 Series Gas Rethermalizers

## Cooking Timer Control Panel Components

---

Cooking Timer Control Panel Components

FRY\_P\_0008\_12\_14\_Cooking Timer Control Panel Components.pdf



# FBCR18 & FBKR18 Series Gas Rethermalizers

## Cooking Timer Control Panel Components

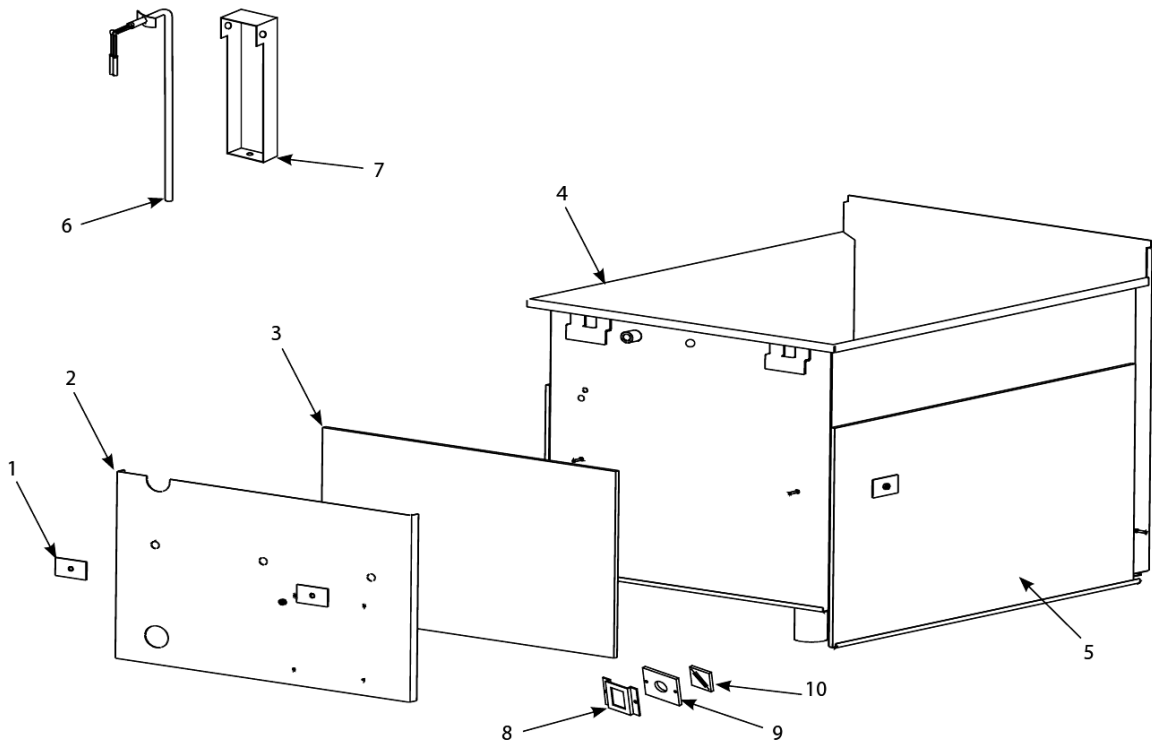
#	PART #	DESCRIPTION	QTY	Note
1	9104496	Cooking Timer Control Panel	1	
2		Knob Assembly	1	
	8101287	Knob, 15-minute Mechanical Timer	1	
	8065339	Gray	1	
	8065340	Red	1	
	8065341	Brown	1	
	8065342	Blue	1	
	8065343	Green	1	
3	8100808	Faceplate, Timer Dial	1	
4	8100807	Timer, Springwound, 60-Minute	1	
5	8071547	Lamp, Red Lens, 24V Trouble	1	
6	8065260SP	Frame Assembly, Control Panel	1	

---

Cooking Timer Control Panel Components

# FBCR18 & FBKR18 Series Gas Rethermalizers

## Cookpot, FBR18



Cookpot, FBR18

FRY\_P\_0008\_12\_14\_Cookpot, FBR18.pdf

# FBCR18 & FBKR18 Series Gas Rethermalizers

## Cookpot, FBR18

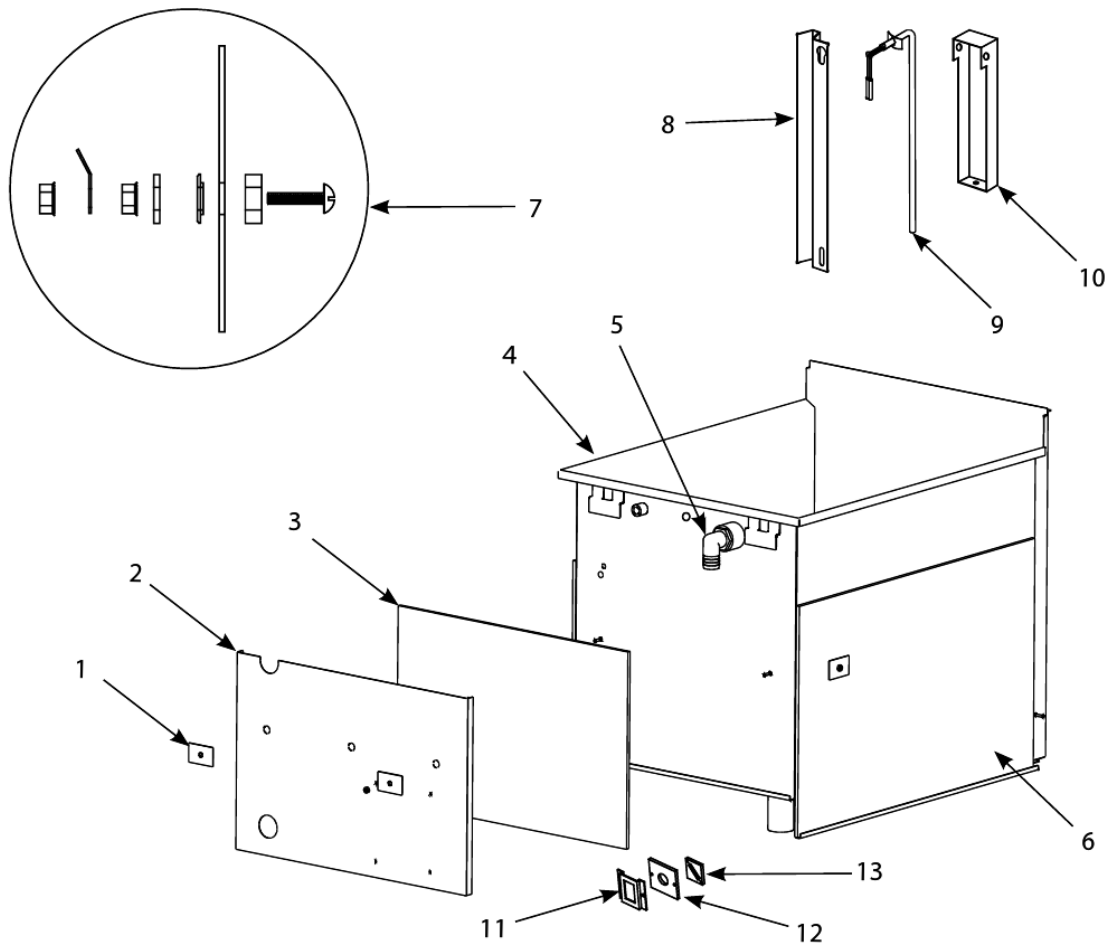
#	PART #	DESCRIPTION	QTY	Note
1	9001762	Retainer, Insulation	1	
2	9007431	Cover, Cookpot Front Insulation	1	
3	8160143	Insulation, Cookpot Front	1	
4	8231891SP	Cookpot	1	
5	8160144	Insulation, Cookpot Side	1	
6	8065251SP	Probe Assembly, Temperature	1	
7	8240395	Guard, Probe	1	
8	9001031	Retainer, Burner Sight Glass	1	
9	8160053	Insulation, Sight Glass	1	
10	8140048SP	Glass, Burner Sight	1	
11	8100809	Block, Teflon, Probe Mounting	1	
12	8160157	Insulation, Upper Flue, 8.5" x 18.0"	1	
12a	8160158	Insulation, 18.25-inch x 10.7-inch x .25-inch Cabinet Back	1	
12b	8160055	Insulation, Blower Mount	1	
12c	8160145	Insulation, Front Bottom	1	
12d	8160166	Insulation, Rear Bottom	1	[1]
13	8090204	Washer, Teflon	1	[2]

### PART NOTES:

- [1] - 3.5-inches x 17.0-inches x .25-inches
- [2] - fits between Item 10 and inside face of Cookpot

# FBCR18 & FBKR18 Series Gas Rethermalizers

## Cookpot, FBRA18



Cookpot, FBRA18

FRY\_P\_0008\_12\_14\_Cookpot, FBRA18.pdf

# FBCR18 & FBKR18 Series Gas Rethermalizers

## Cookpot, FBRA18

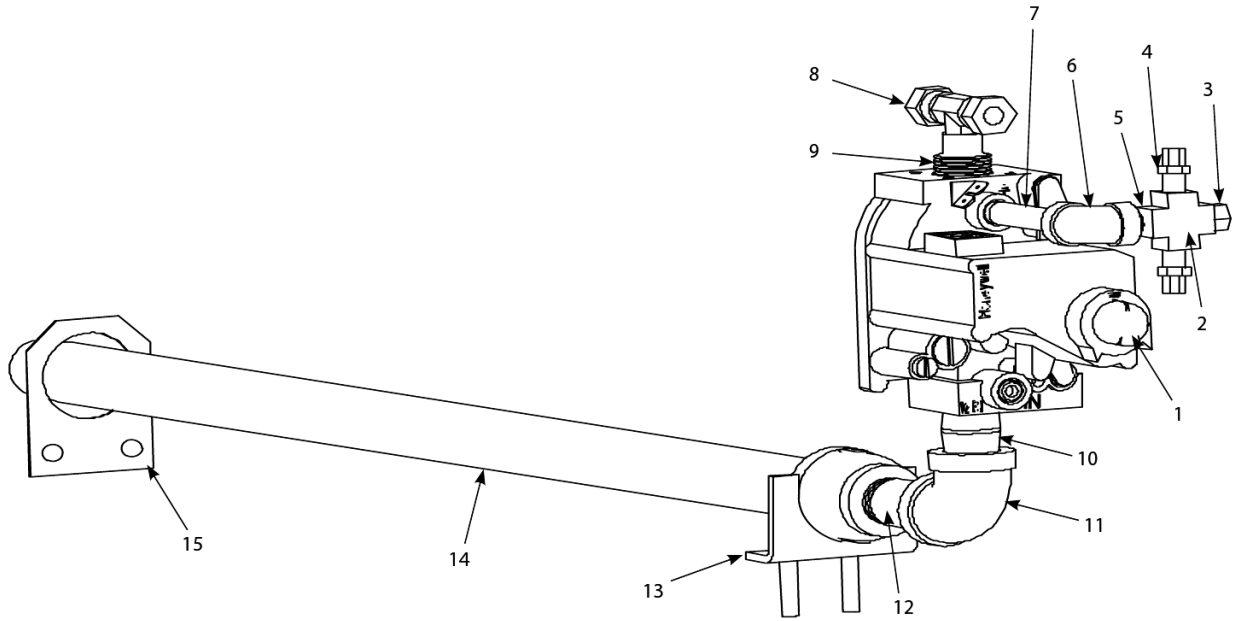
#	PART #	DESCRIPTION	QTY	Note
1	9001762	Retainer, Insulation	1	
2	9007431	Cover, Cookpot Front Insulation	1	
3	8160143	Insulation, Cookpot Front	1	
4	8234094SP	Cookpot	1	
5	8130557	Elbow, Plastic, 1" NPT to 1" Barb	1	
6	8160144	Insulation, Cookpot Side	1	
7	8067552SP	Water level sensor assembly	1	
8	9105196	Cover, Water Level Sensors	1	
9	8065251	Probe Assembly, Temperature	1	
10	8240395	Guard, Probe	1	
11	9001031	Retainer, Burner Sight Glass	1	
12	8160053	Insulation, Sight Glass	1	
13	8140048SP	Glass, Burner Sight	1	
14	8100809	Block, Teflon, Probe Mounting	1	
15	8160157	Insulation, Upper Flue, 8.5" x 18.0"	1	
15a	8160158	Insulation, 18.25-inch x 10.7-inch x .25-inch Cabinet Back	1	
15b	8160145	Insulation, Front Bottom	1	[1]
15c	8160166	Insulation, Rear Bottom	1	[2]
16	8090204	Washer, Teflon	1	
17	8160055	Insulation, Blower Mount	1	

### PART NOTES:

- [1] - 3.0-inches x 14.5-inches x .25-inches
- [2] - 3.5-inches x 17.0-inches x .25-inches

# FBCR18 & FBKR18 Series Gas Rethermalizers

## Gas Supply Components



# FBCR18 & FBKR18 Series Gas Rethermalizers

## Gas Supply Components

#	PART #	DESCRIPTION	QTY	Note
1	8100786	Gas Valves, Non-CE (see Note 1 below), E. I. Natural	1	
1a	8100787	Gas Valves, Non-CE (see Note 1 below), E. I. Propane	1	
2	8130378	Fitting, 0.125-inch NPT Cross	1	
3	8130154	Plug, 0.125-inch NPT Hex Head Pipe	1	
4	8130340	Adapter, 0.125-inch NPT to 0.125-inch Tube	1	
5	8130016	Nipple, 0.125-inch NPT Close	1	
6	8130004	Elbow, 90° x 0.125-inch NPT	1	
7	8130433-FRY	Nipple, 0.125-inch NPT x 2.50-inch BM	1	
8	8130304	Bushing, 0.5-inch NPT to 0.25-inch NPT Flush Reducing	1	
9	8130301-FRY	Tee, 0.25-inch Male NPT to 0.375-inch Tube	1	
10	8130022	Nipple, 0.5" Close NPT BM	1	
11	8130062	Elbow - 0.5" BM x 90°	1	
12	8130265	Nipple - 0.5" x 2.5" NP	1	
13	8232766	Mounting Bracket, Gas Line	1	
14	8130257	Nipple, 0.75-inch NPT BM, 24.5-inch	1	[1]
15	8231893	Bracket, Rear Manifold	1	
16	8100816	Plug, Honeywell Gas Valve	1	

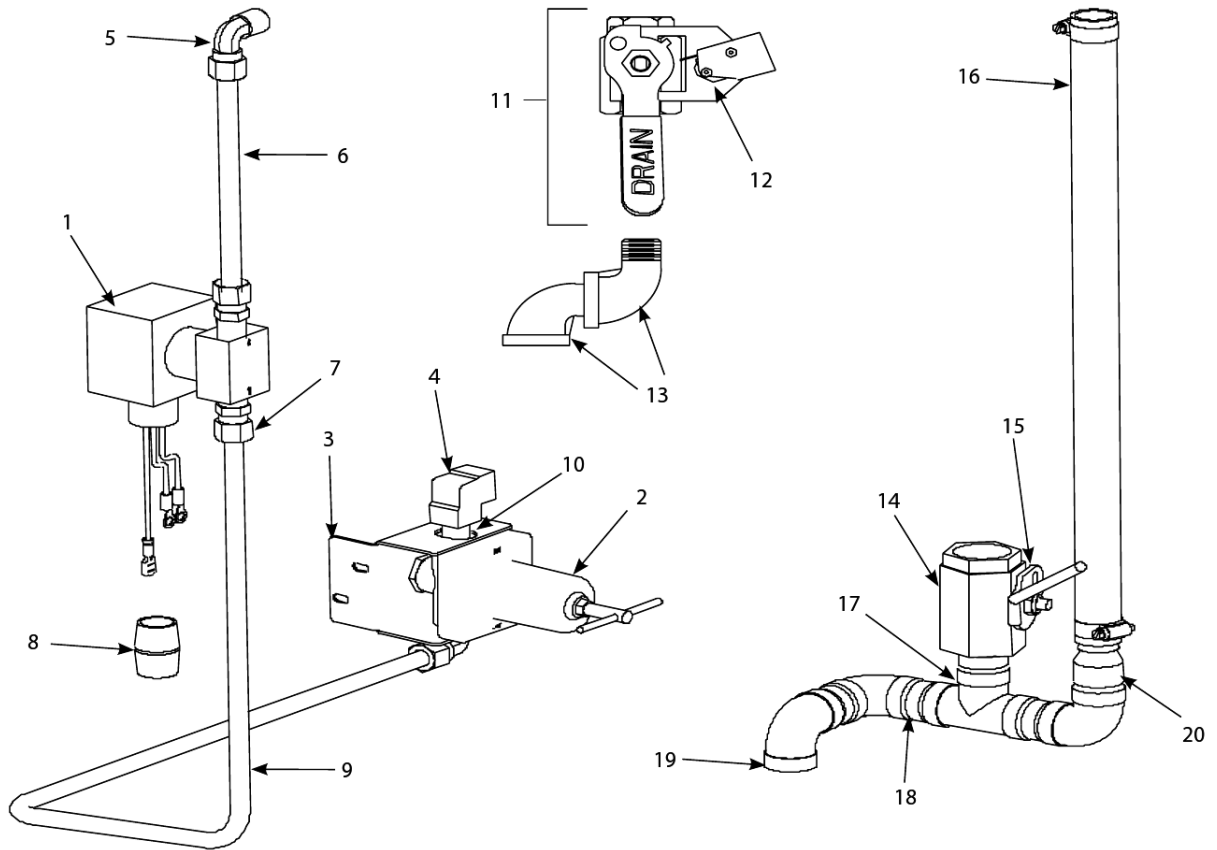
### PART NOTES:

[1] - used on GBC/GC units



# FBCR18 & FBKR18 Series Gas Rethermalizers

## Plumbing Components



# FBCR18 & FBKR18 Series Gas Rethermalizers

## Plumbing Components

#	PART #	DESCRIPTION	QTY	Note
1	8069067	Valve Assembly, Solenoid	1	[1]
2	8101208	Valve, Pressure Regulator	1	[1]
3	9002916	Bracket, Pressure Regulator	1	[1]
4	8130448	Elbow, 0.25-inch NPT Brass	1	[1]
5	8130302	Elbow, 0.25-inch Male NPT to 0.375-inch Tube 90°	1	[1]
6	9108027	Tubing, SS, Solenoid to Cookpot	1	[1]
7	8101025	Connector, 0.25-inch Male NPT to 0.375-inch Tube	1	[1]
8	8130022	Nipple, 0.5" Close NPT BM	1	[1]
9	9108026	Tubing, SS, Water Line	1	[1]
10	8130471	Nipple, 0.25-inch NPT x 1.5-inch	1	[1]
11	8068467SP	Valve Assembly, Drain w/Microswitch, Complete	1	[2]
12	8072103	Microswitch	1	[3]
13	8130379	Elbow, Street 1.25-inch NPT BM	1	[2]
14	8101020	Valve, 1-inch Full-Vat Drain	1	[1]
15	8232047	Handle, Drain Valve	1	[1]
16	8160371	Hose, Drain	1	[1]
17	8130314	Tee, 1-inch NPT	1	[1]
18	8130138	Nipple, 1-inch NPT x Close	1	[1]
19	8130202	Elbow, 1-inch NPT x 90°	1	[1]
20	8130525	Fitting, Barb 1-inch to Hose	1	[1]

### PART NOTES:

- [1] - FBRA18 only
- [2] - FBR18 only
- [3] - FBR18 and FBRA18