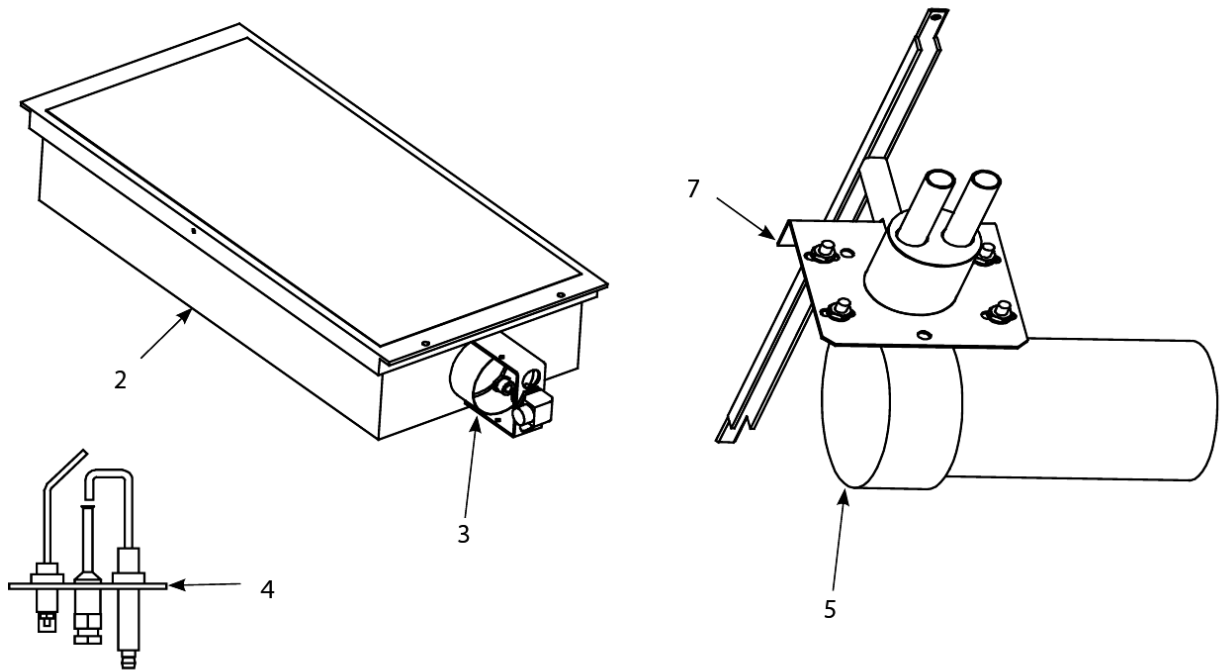


FBR18 & FBRA18 Series Gas Rethermalizers

Burner System Components



FBR18 & FBRA18 Series Gas Rethermalizers

Burner System Components

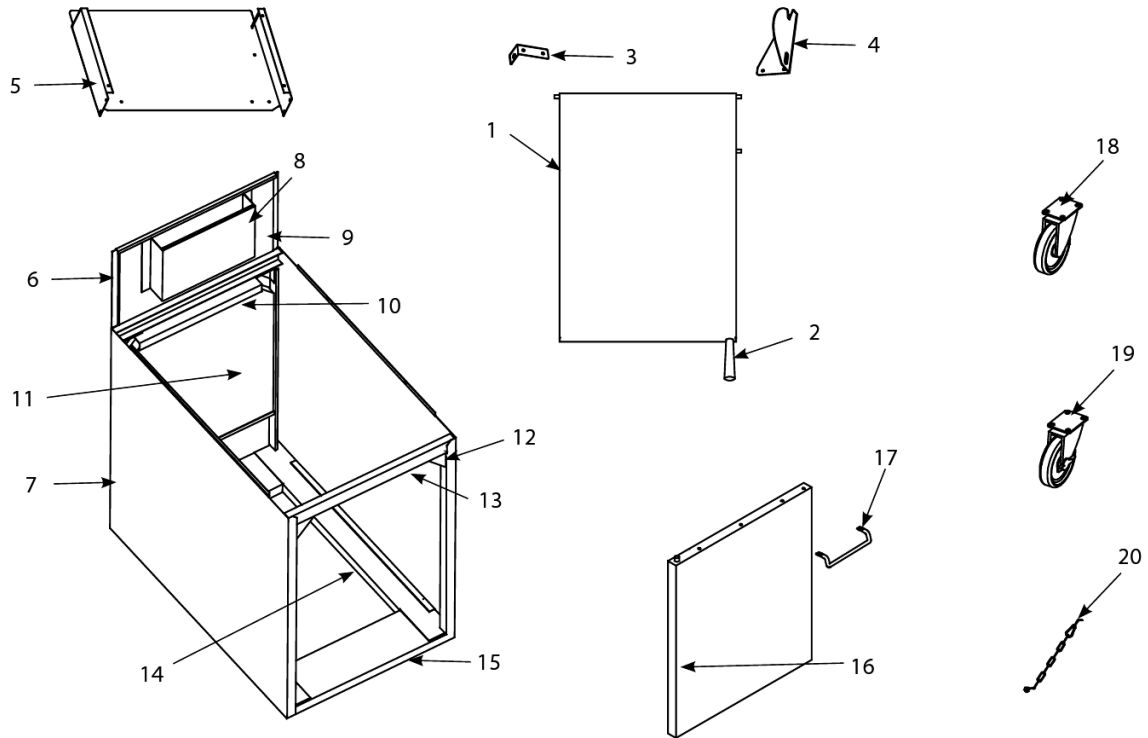
| # | PART # | DESCRIPTION | QTY | Note |
|-----|-----------|---|-----|------|
| 1 | 8065563SP | Burner Assembly, Natural Gas w/3.26mm Orifice | 1 | |
| 1a | 8065564SP | Burner Assembly, Propane Gas w/2.00mm Orifice | 1 | |
| 2 | 8101382 | Burner Assembly, Natural or Propane Gas Burner w/o Orifice | 1 | |
| 3 | 8100916 | Orifice, Natural Gas, 3.26mm | 1 | |
| 3a | 8100917 | Orifice, Propane Gas w/2.00mm | 1 | |
| 4 | 8260981 | Ignitor and Gasket Kit - Natural Gas | 1 | |
| 4a | 8260982 | Ignitor and Gasket Kit - LP | 1 | |
| 5 | 8071564 | Motor, Blower, 120VAC/60 Hz | 1 | |
| 6 | 8071712 | Motor, Blower, 230VAC 50/60 Hz | 1 | [1] |
| 7 | 8232528 | Mount, Blower | 1 | |
| 8 | 8160055 | Insulation, Blower Mount | 1 | |
| 10 | 8100507 | Spacer, .23-inch x .75-inch | 1 | |
| 9 | 9005525 | Bracket, Blower Support | 1 | |
| 11 | 8075009 | Ignition Cable - 19" L | 1 | |
| 12 | 8160165 | Insulation, GSMS/GBC/GC Ignitor | 1 | |
| 13 | W82C1SP | Flame Sensor Wire | 1 | |
| 14 | 8160278 | Hose, 0.625-inch Air | 1 | |
| 15 | 8101353 | Gas Line, 0.375-inch OD X 9-inch SS Flexible | 1 | |
| 15a | 8101354 | Flexible Stainless Steel Gasline (Flexline), 0.375-inch OD, 12-inch | 1 | |
| 16 | 8110800 | Enrichment Tube, 12.5-inch | 1 | |

PART NOTES:

[1] - for 230/240V units, use

FBR18 & FBRA18 Series Gas Rethermalizers

Cabinetry and Associated Components



FBR18 & FBRA18 Series Gas Rethermalizers

Cabinetry and Associated Components

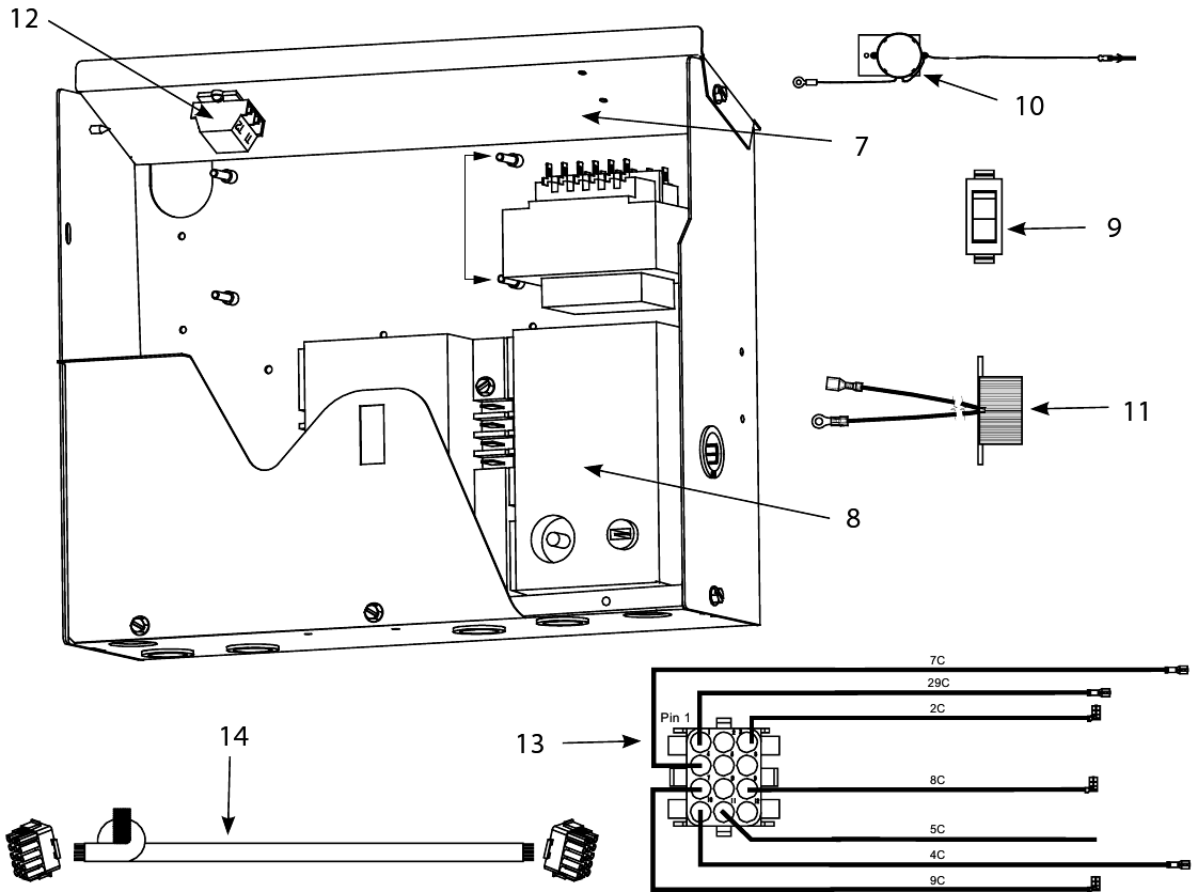
| # | PART # | DESCRIPTION | QTY | Note |
|----|-----------|--|-----|------|
| 1 | 8068060SP | Cover Assembly w/Handle | 1 | |
| 2 | 8101374 | Handle, cover | 1 | |
| 3 | 9105246 | Bracket, Cover | 1 | |
| 4 | 9105303 | Bracket, Cover Support | 1 | |
| 5 | 8232881 | Flue Cap | 1 | |
| 6 | 9005737 | Back, Cabinet | 1 | |
| 7 | 9007377 | Side, Left or Right Cabinet, Enameled Mild Steel | 1 | |
| 8 | 9107377SP | Side, Left or Right Cabinet, Stainless Steel | 1 | [1] |
| 9 | 9005293 | Flue Extension, Cabinet Back | 1 | |
| 10 | 8160158 | Insulation, 18.25-inch x 10.7-inch x .25-inch Cabinet Back | 1 | |
| 11 | 9004521 | Retainer, Cabinet Back Insulation | 1 | |
| 12 | 8121141 | Insulation, Cabinet Back | 1 | |
| 13 | 9001552 | Gusset | 1 | |
| 14 | 9004505 | Top Brace | 1 | |
| 15 | 9007376 | Channel, Base Side, Left or Right | 1 | |
| 16 | 9004504 | Channel, Base Front or Rear | 1 | |
| 17 | 1060590 | Door Assembly, Left or Right | 1 | |
| 18 | 8101442 | Handle, Wireform Door | 1 | |
| 19 | 8100356 | Caster without Brake - 5" | 1 | |
| 20 | 8100357 | Caster with Brake - 5" | 1 | |
| 21 | 8260900 | Kit, Chain Restraint | 1 | [2] |
| 22 | 8261095 | Anchor Strap Kit | 1 | [3] |
| 23 | 8240606 | Top Cap | 1 | |
| 24 | 8065209SP | Leg Pad | 1 | |
| 25 | 8261043 | Caster/Leg Mounting Hardware Kit | 1 | |
| 26 | 8263320 | Leg - 4 Pack | 1 | [4] |
| 27 | 9108403 | Insert, Cookpot Trim | 1 | [5] |

PART NOTES:

- [1] - for S/S units, use
- [2] - for units having casters
- [3] - for units having legs
- [4] - contains 4 legs
- [5] - FBKR18 Only

FBR18 & FBRA18 Series Gas Rethernalizers

Computer, Component Box Assembly and Associated Parts



Computer, Component Box Assembly and Associated Parts

FBR18 & FBRA18 Series Gas Rethermalizers

Computer, Component Box Assembly and Associated Parts

| # | PART # | DESCRIPTION | QTY | Note |
|----|-----------|--|-----|------|
| 1 | 8262350 | Computer - CM 3.5 | 1 | |
| 2 | 8262359 | Computer- CM 3.5 (FBKR18 Series) | 1 | |
| 3 | 8069295 | Controller PCB, Water Board | 1 | |
| 4 | 8070154 | Power Cord - 120V w/Ground Plug | 1 | |
| 5 | 8090349 | Spacer, 4mm X 6mm Aluminum | 1 | |
| 6 | 8261346 | Spacer, Ignition Module | 1 | |
| 7 | 8074978 | Transformer - Dual Voltage 100-120V/12V 30VA /24V 50VA | 1 | |
| 8 | 8263271 | Ignition Module | 1 | |
| 9 | 8072659 | Switch, Momentary | 1 | [1] |
| 10 | 8071713 | Sound Device | 1 | [2] |
| 11 | 8064797 | Buzzer | 1 | [3] |
| 12 | 8101164 | Block, One-Piece Screwless Terminal | 1 | |
| 13 | 8069286SP | Harness, 12-pin Wiring | 1 | |
| 14 | 8062071 | Cable, Computer/Controller to Interface Board | 1 | |

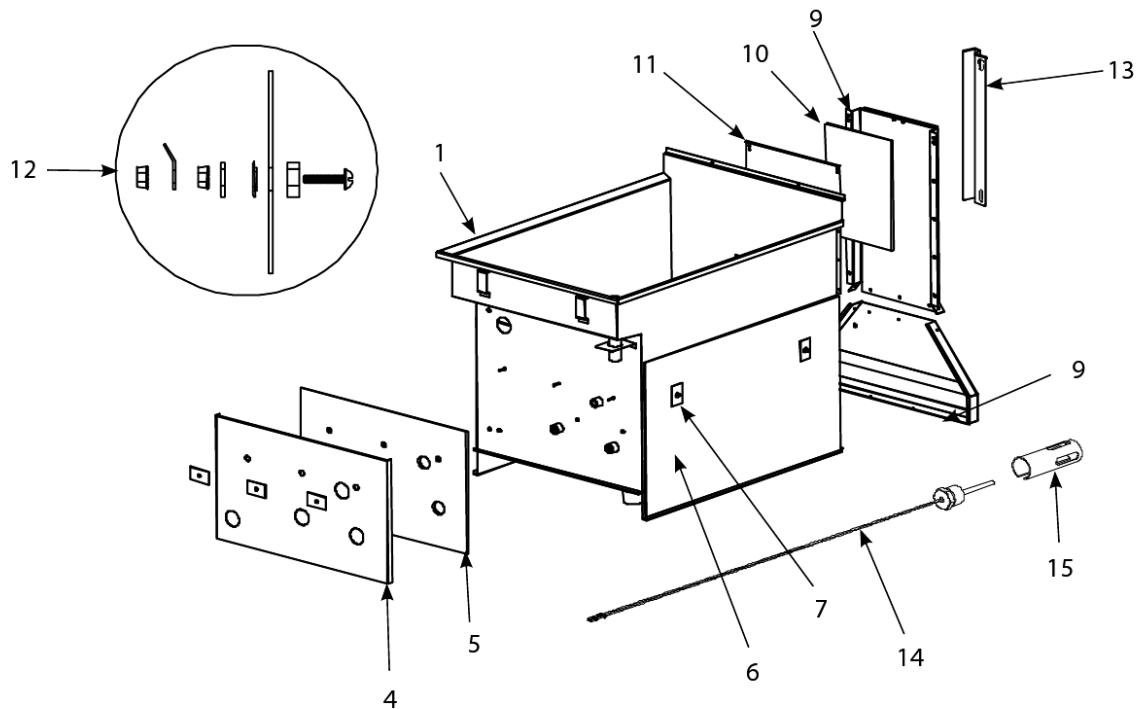
PART NOTES:

- [1] - Manual Fill Switch
- [2] - Operator Alert
- [3] - Ignition Failure Alarm

Computer, Component Box Assembly and Associated Parts

FBR18 & FBRA18 Series Gas Rethermalizers

Cookpot and Associated Parts



FBR18 & FBRA18 Series Gas Rethermalizers

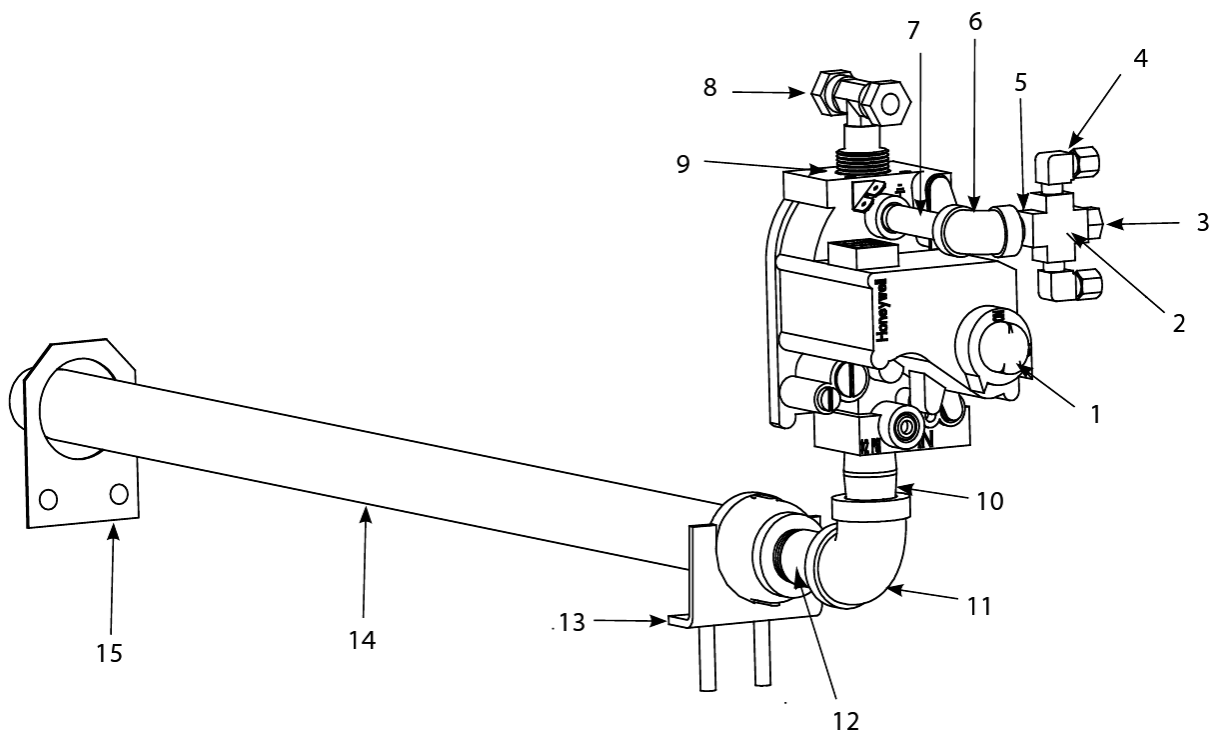
Cookpot and Associated Parts

| # | PART # | DESCRIPTION | QTY | Note |
|----|-----------|---|-----|------|
| 1 | 1086903 | Cookpot Propane Gas (includes flue, insulation, burners and blower) | 1 | |
| 4 | 9005282 | Cover, Front Insulation | 1 | |
| 5 | 8160270 | Insulation, Cookpot Front | 1 | |
| 6 | 8160144 | Insulation, Cookpot Side | 1 | |
| 7 | 9001762 | Retainer, Insulation | 1 | |
| 8 | 8232005 | Flue | 1 | |
| 9 | 9001893 | Flue Extension, Cookpot | 1 | |
| 10 | 8160271 | Insulation, Flue | 1 | |
| 11 | 9001894 | Flue Extension, Cookpot, Rear | 1 | |
| 12 | 8067552SP | Water level sensor assembly | 1 | |
| 13 | 9105196 | Cover, Water Level Sensors | 1 | |
| 14 | 8064206 | Probe Assembly, Temperature | 1 | |
| 15 | 2100681 | Probe Guard | 1 | |
| 16 | 8140048SP | Glass, Burner Sight | 1 | |
| 17 | 9001031 | Retainer, Burner Sight Glass | 1 | |
| 18 | 8160053 | Insulation, Sight Glass | 1 | |
| 19 | 8160145 | Insulation, Front Bottom | 1 | |
| 20 | 8160166 | Insulation, Rear Bottom | 1 | |
| 21 | 8120357 | Insulation, HE Burner | 1 | |

Cookpot and Associated Parts

FBR18 & FBRA18 Series Gas Rethermalizers

Gas Supply Components



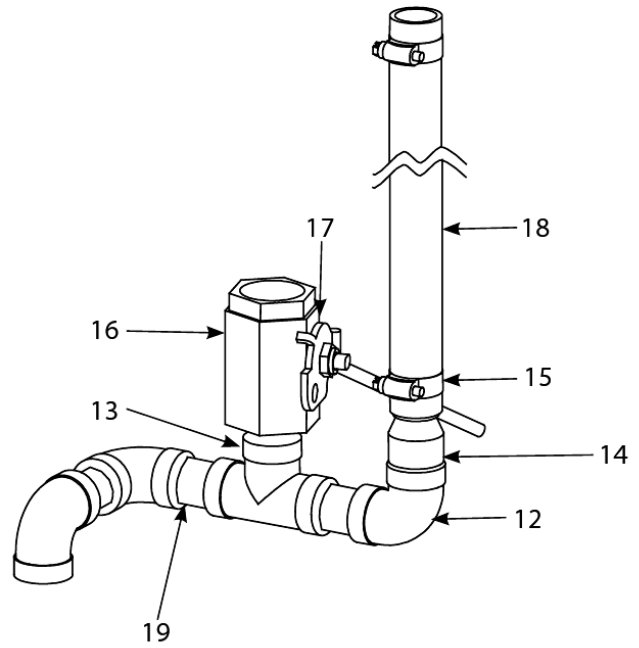
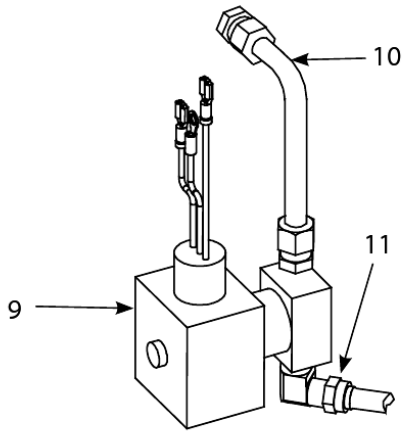
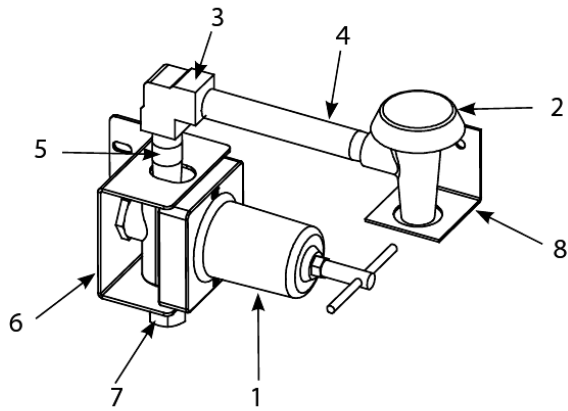
FBR18 & FBRA18 Series Gas Rethermalizers

Gas Supply Components

| # | PART # | DESCRIPTION | QTY | Note |
|----|-------------|---|-----|------|
| 1 | 8100786 | Gas Valves, Non-CE (see Note 1 below), E. I. Natural | 1 | |
| 1a | 8100787 | Gas Valves, Non-CE (see Note 1 below), E. I. Propane | 1 | |
| 2 | 8130378 | Fitting, 0.125-inch NPT Cross | 1 | |
| 3 | 8130154 | Plug, 0.125-inch NPT Hex Head Pipe | 1 | |
| 4 | 8130354 | Elbow, 0.125-inch NPT X 0.125-inch Tube Compression | 1 | |
| 5 | 8130016 | Nipple, 0.125-inch NPT Close | 1 | |
| 6 | 8130004 | Elbow, 90° x 0.125-inch NPT | 1 | |
| 7 | 8130433-FRY | Nipple, 0.125-inch NPT x 2.50-inch BM | 1 | |
| 8 | 8130304 | Bushing, 0.5-inch NPT to 0.25-inch NPT Flush Reducing | 1 | |
| 9 | 8130301-FRY | Tee, 0.25-inch Male NPT to 0.375-inch Tube | 1 | |
| 10 | 8130022 | Nipple, 0.5" Close NPT BM | 1 | |
| 11 | 8130062 | Elbow - 0.5" BM x 90° | 1 | |
| 12 | 8130265 | Nipple - 0.5" x 2.5" NP | 1 | |
| 13 | 8232766 | Mounting Bracket, Gas Line | 1 | |
| 14 | 8130257 | Nipple, 0.75-inch NPT BM, 24.5-inch | 1 | |
| 15 | 9001761 | Bracket, Rear Manifold | 1 | |

FBR18 & FBRA18 Series Gas Rethermalizers

Plumbing Components



FBR18 & FBRA18 Series Gas Rethermalizers

Plumbing Components

| # | PART # | DESCRIPTION | QTY | Note |
|----|-------------|--|-----|------|
| 1 | 8101208 | Valve, Pressure Regulator | 1 | |
| 2 | 8101351 | Vacuum Breaker | 1 | |
| 3 | 8130448 | Elbow, 0.25-inch NPT Brass | 1 | |
| 4 | 8130473-FRY | Nipple, 0.25-inch NPT x 4.0-inch Brass | 1 | |
| 5 | 8130471 | Nipple, 0.25-inch NPT x 1.5-inch | 1 | |
| 6 | 9002916 | Bracket, Pressure Regulator | 1 | |
| 7 | 8101025 | Connector, 0.25-inch Male NPT to 0.375-inch Tube | 1 | |
| 8 | 9005210 | Bracket, Vacuum Breaker | 1 | |
| 9 | 8065565 | Valve Assembly, Solenoid | 1 | |
| 10 | 9105228 | Tubing, Pot to Solenoid, SS | 1 | |
| 11 | 8103904 | Quick Connect - 0.25" x 90° | 1 | |
| 12 | 8130202 | Elbow, 1-inch NPT x 90° | 1 | |
| 13 | 8130314 | Tee, 1-inch NPT | 1 | |
| 14 | 8130525 | Fitting, Barb 1-inch to Hose | 1 | |
| 15 | 8090374 | Clamp, Hose | 1 | |
| 16 | 8101824 | Valve, Drain | 1 | |
| 17 | 9109527 | Handle, Drain Valve | 1 | |
| 18 | 8160372 | Hose, Drain 18-inch | 1 | |
| 19 | 8130138 | Nipple, 1-inch NPT x Close | 1 | |