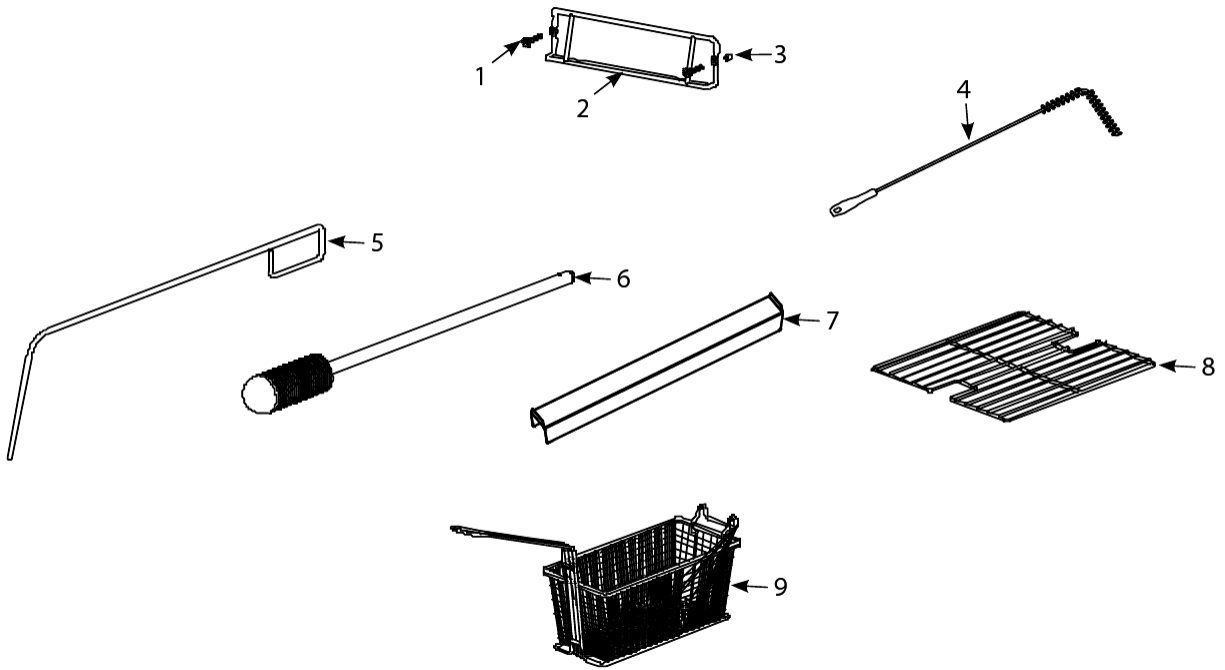


# Pro Series Marine Electric Fryers

## Accessories



Accessories

# Pro Series Marine Electric Fryers

## Accessories

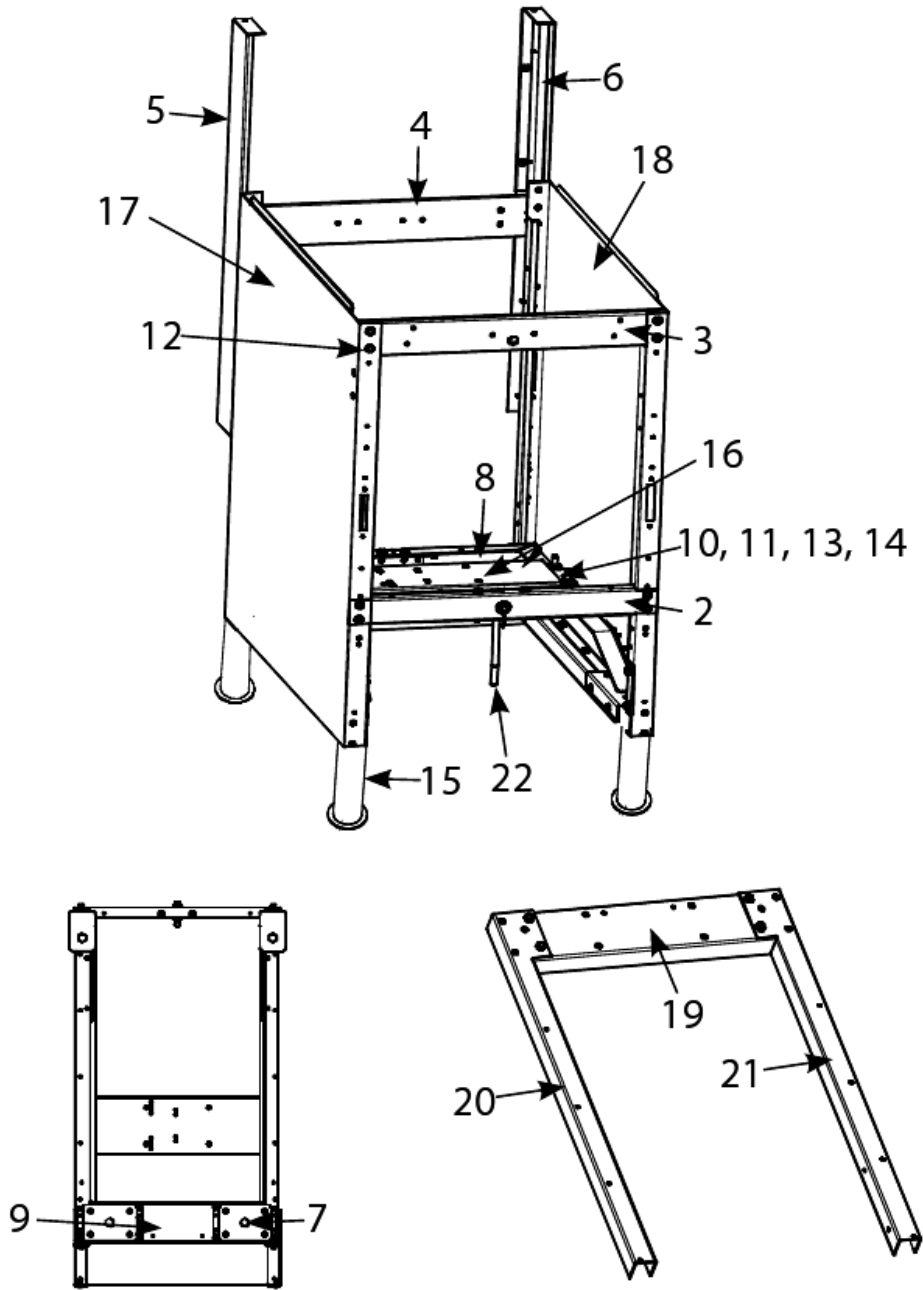
#	PART #	DESCRIPTION	QTY	Note
1	8090989	Basket Hangers and Mounting Hardware, Thumbscrew, 0.25-20 x 1-inch	1	
2	8102793	Hanger - Wireform Basket	1	
3	8090921-FRY	Spacer, Basket Hanger	1	
4	8030278	L-shaped Brush	1	
5	8030197	Fryer's Friend	1	
6	8030209	Brush, Frypot	1	
7	2109083	Connecting Strip, Frypot	1	
8	8030132	Rack, Full-Vat Basket Support	1	
9	8030271	Basket, Twin Size	1	
10	8030352	0.3125" Nut Driver	1	
11	8030002	Powder, Filter	1	[1]
12	8030170	Filter Paper, 16.5" x 25.75"	1	[2]

**PART NOTES:**

- [1] - 80 1-Cup Applications
- [2] - 100-Sheet Pack

# Pro Series Marine Electric Fryers

## Cabinet Bases, Braces, And Associated Parts - FPH117 Single



Cabinet Bases, Braces, And Associated Parts - FPH117 Single

# Pro Series Marine Electric Fryers

## Cabinet Bases, Braces, And Associated Parts - FPH117 Single

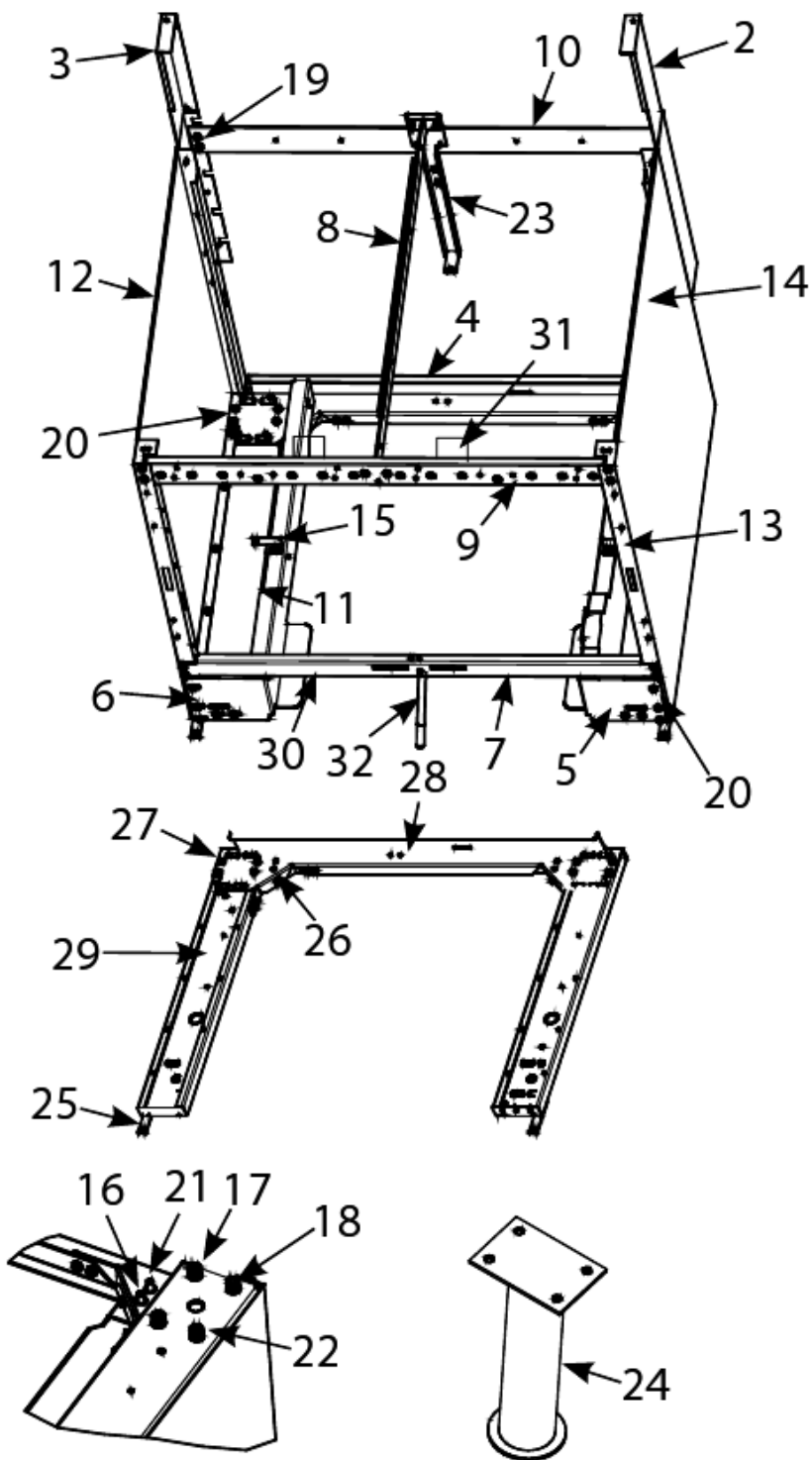
#	PART #	DESCRIPTION	QTY	Note
1	1064942	Assembly, Cabinet Single FPH 117	1	
2	1064949	Brace Assembly, Filter Stop	1	
3	2109141	Rail, Front Top Single	1	
4	2109140	Brace, Rear Horizontal Single	1	
5	1064947	Upright Assembly, Left	1	
6	1064946	Upright Assembly, Right	1	
7	1064950	Leg Pad Assembly	1	
8	1064951	Rail Assembly, Filter Pan Single FPH117	1	
9	1064952	Base Assembly	1	
10	8261362	Nut - 0.25"-20 Hex	10	
11	8090191	Washer, Lock 0.25 Spring ZP	1	
12	8090500	Screw, 10 x 0.5-inch Hex Washer Head 410 SS	1	
13	8261368	Nut - 0.25-20 Serrated Flange	1	
14	8090508	Bolt - 0.25-20 x 1.25"	1	
15	8233103	Leg W/A Single FP	1	
16	2109150	Mount, Motor Single FP	1	
17	2119130	Side, Cabinet Left, Single FPH117	1	
18	2129130	Side, Cabinet Right, Single FPH117	1	
19	2109148	Channel, Rear Single	1	
20	2119149	Channel, Side Left	1	
21	2129149	Channel, Side Right	1	
22	8235313	Filter Pan Stop	1	

Cabinet Bases, Braces, And Associated Parts - FPH117 Single

---

# Pro Series Marine Electric Fryers

## Cabinet Bases, Braces, And Associated Parts - FPPH217 Double Station Fryer



Cabinet Bases, Braces, And Associated Parts - FPPH217 Double Station Fryer

FRY\_P\_0051\_5\_15\_Cabinet Bases, Braces, And Associated Parts - FPPH217 Double Station Fryer.pdf

# Pro Series Marine Electric Fryers

## Cabinet Bases, Braces, And Associated Parts - FPPH217 Double Station Fryer

#	PART #	DESCRIPTION	QTY	Note
1	1064919	Cabinet Assembly, FPPE Electric Double S/S	1	
2	1064766	Upright Assembly, Right	1	
3	1064765	Upright Assembly, Left	1	
4	1064767	Base Assembly, FPPE Double Electric	1	
5	2108978	Rail, Right Filter	1	
6	2108979	Rail, Left Filter	1	
7	2108984	Support, Cross Cabinet	1	
8	2108986	Divider, Cabinet	1	
9	2108987	Brace, Front Horizontal Two-Station Fryer	1	
10	2108989	Brace, Rear Horizontal Two-Station Fryer	1	
11	2109116	Shield, Channel	1	
12	2118466	Side, Cabinet Left, 2-Station FPPH217	1	
13	2118977	Support, Contactor Box Station 1	1	
14	2128466	Side, Cabinet Right, 2-Station FPPH217	1	
15	2128977	Support, Contactor Box Station 2	1	
16	8261389	Screw - 0.25"-20 x 0.75" Hex Head ZP	10	
17	8090190	Washer, .625 X .275 X 40 Flat SS	1	
18	8090191	Washer, Lock 0.25 Spring ZP	1	
19	8261376	Nut - #10-32 Keps Hex	10	
20	8261374	Screw - #10 x 0.5" Hex Head	25	
21	8261368	Nut - 0.25-20 Serrated Flange	1	
22	8090429	Bolt - 0.25"- 20 x 2.00" Hex Head ZP Tap	1	
23	8241488	Bracket, Rear Support	1	
24	8235241	Leg, Marine Shipboard	1	[1]
25	2106862	Hinge, Door	1	
26	2108993	Brace, Rear Channel Corner	1	
27	8261374	Screw - #10 x 0.5" Hex Head	25	
28	8235105	Channel, Base Rear Two-Station Fryer	1	
29	8235106	Channel, Base Side	1	
30	8102346	Door Magnet - Horizontal	1	
31	2109023	Bracket, Frypot	1	
32	8235313	Filter Pan Stop	1	

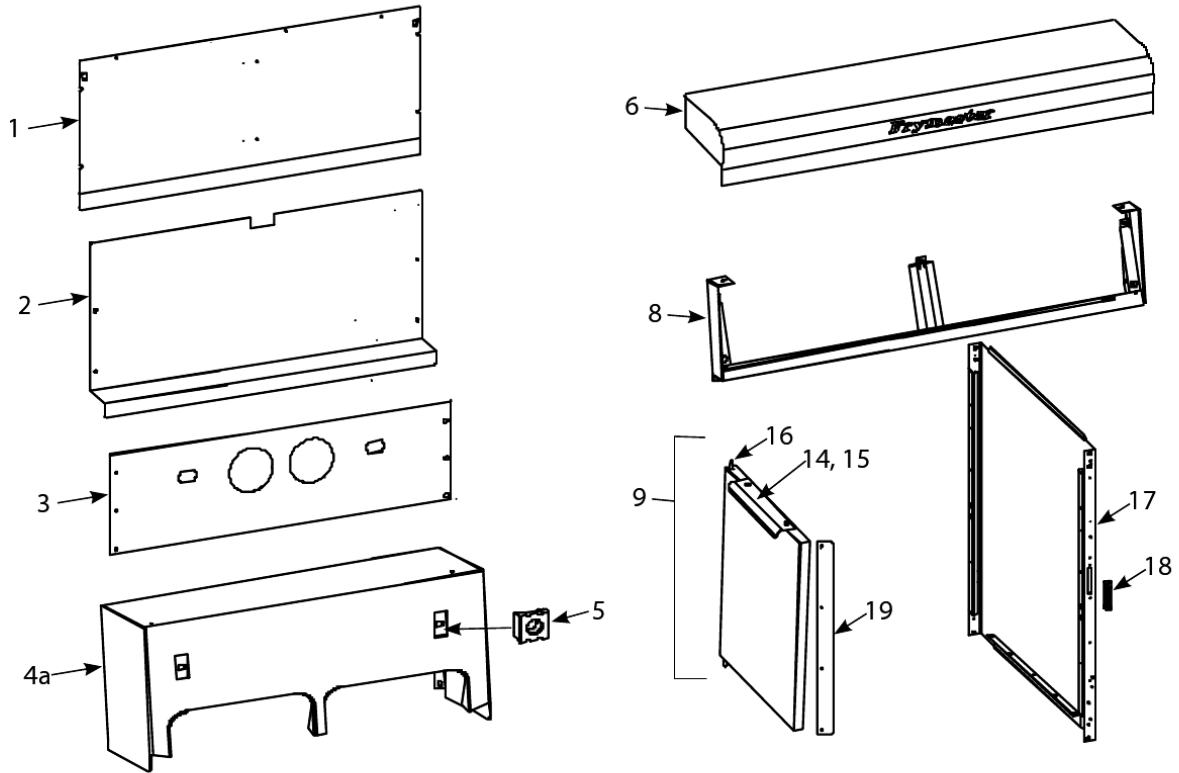
**PART NOTES:**

[1] - Mounts with Items 21 and 22

Cabinet Bases, Braces, And Associated Parts - FPPH217 Double Station Fryer

# Pro Series Marine Electric Fryers

Cabinetry - FPPH217 Backs, Panels, Doors, Handles, Sides, Tilt Housings & Top Caps



Cabinetry - FPPH217 Backs, Panels, Doors, Handles, Sides, Tilt Housings & Top Caps

FRY\_P\_0051\_5\_15\_Cabinetry - FPPH217 Backs, Panels, Doors, Handles, Sides, Tilt Housings & Top Caps.pdf

# Pro Series Marine Electric Fryers

## Cabinetry - FPPH217 Backs, Panels, Doors, Handles, Sides, Tilt Housings & Top Caps

#	PART #	DESCRIPTION	QTY	Note
1	2109157	Back Panel, Upper Single FPH117	1	
1a	2109032	Back Panel, Upper 2-Station FPPH217	1	
2	2109158	Back Panel, Center Single FPH117	1	
2a	2109028	Back Panel, Center 2-Station FPPH217	1	
3	2109030	Back Panel, Lower 2-Station FPPH217	1	
4	1064953	Tilt Housing Assembly, Single FPH117	1	[1]
4a	8241513	Tilt Housing, Single FPH117	1	
4b	8241496	Tilt Housing, 2-Station FPPH217	1	
5	8261351	Nut Retainer, 0.25-20 Std. Fluecap	10	[2]
6	2601230SP	Top Cap - Single	1	
6a	1065196	Top Cap - Two Station Fryer	1	
7	2009614	Heat Shield - Single	1	
7a	2009610	Heat Shield - Two/Four Station Fryer	1	
8	1065016	Frame, Control Panel - Single	1	
8a	1065221	Frame, Control Panel - Two Station Fryer	1	
9	1064979	Door Assembly - Single	1	[3]
9a	8241516	Door, Universal Single	1	
10	2109215	Liner, Door Universal Single	1	
11	8090500	Screw, 10 x 0.5-inch Hex Washer Head 410 SS	1	
12	8261343	Spring - Door Pin Hinge	10	
13	1064769	Door, Left or Right	1	[4]
14	8090500	Screw, 10 x 0.5-inch Hex Washer Head 410 SS	1	
15	2109214	Two and Three Station Fryers, Handle, Door	1	
16	1064067SP	Door Pin Assembly	1	
17	2119130	Side, Cabinet Left, Single FPH117	1	
17a	2118466	Side, Cabinet Left, 2-Station FPPH217	1	
17b	2129130	Side, Cabinet Right, Single FPH117	1	
17c	2128466	Side, Cabinet Right, 2-Station FPPH217	1	
18	8101105	Door Magnet - Vertical	1	
19	2109086	Door Tab	1	
20	2109154	Bracket, Transformer, Single FPH117	1	
21	8100045	Bushing, .875 Dia. Hole 0.6875"	1	
22	8090123	Screw - #10 x 0.75" - Slot Head	1	
23	8261376	Nut - #10-32 Keps Hex	10	
24	2109188	Hinge, Door Single	1	
25	8070064	Transformer, 480V/120V 150 VA	1	

### PART NOTES:

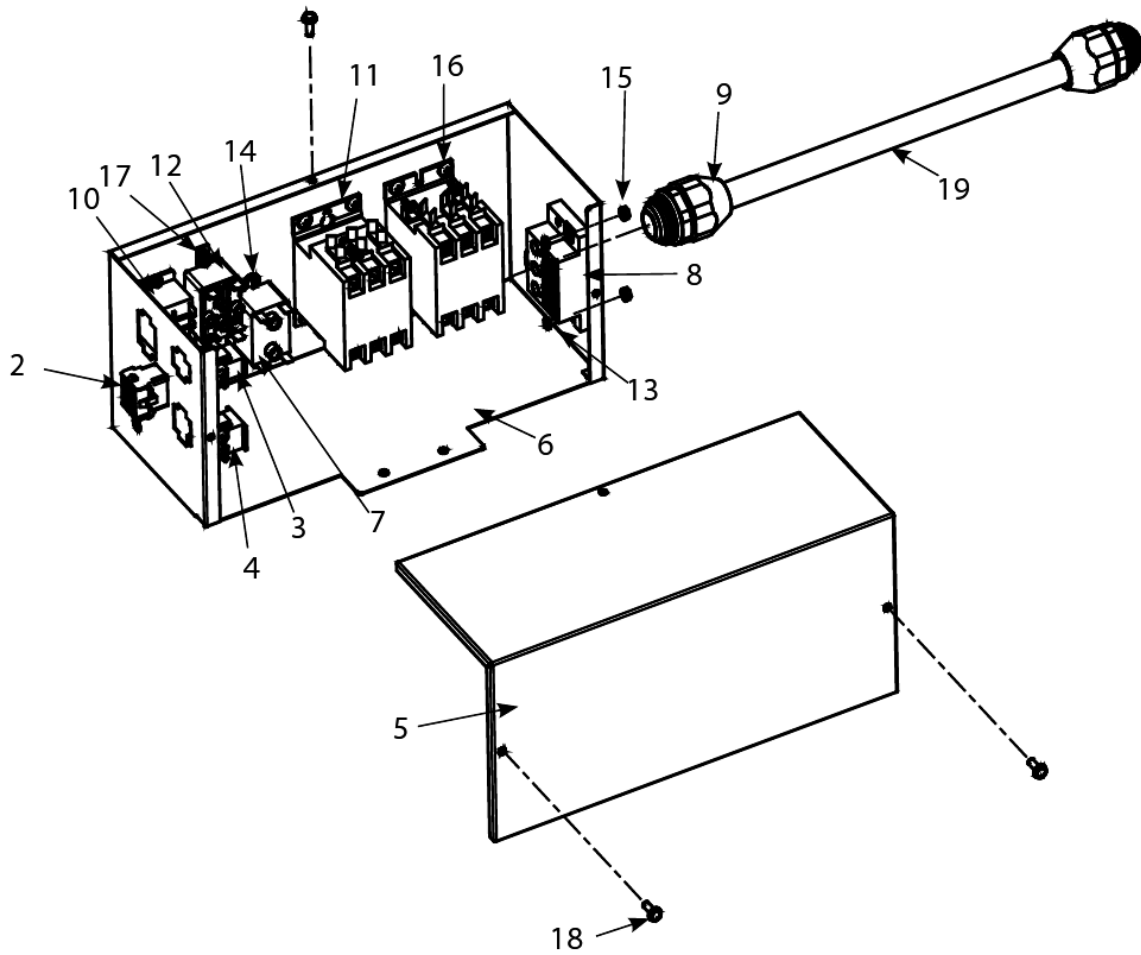
- [1] - includes transformer, bracket & hardware
- [2] - for use on standard fluecap
- [3] - Includes heat shield
- [4] - Left shown – move handle to opposite side for Right

## Cabinetry - FPPH217 Backs, Panels, Doors, Handles, Sides, Tilt Housings & Top Caps



# Pro Series Marine Electric Fryers

## Contactor Boxes - FPH117 Single Contactor Box



Contactor Boxes - FPH117 Single Contactor Box

# Pro Series Marine Electric Fryers

## Contactor Boxes - FPH117 Single Contactor Box

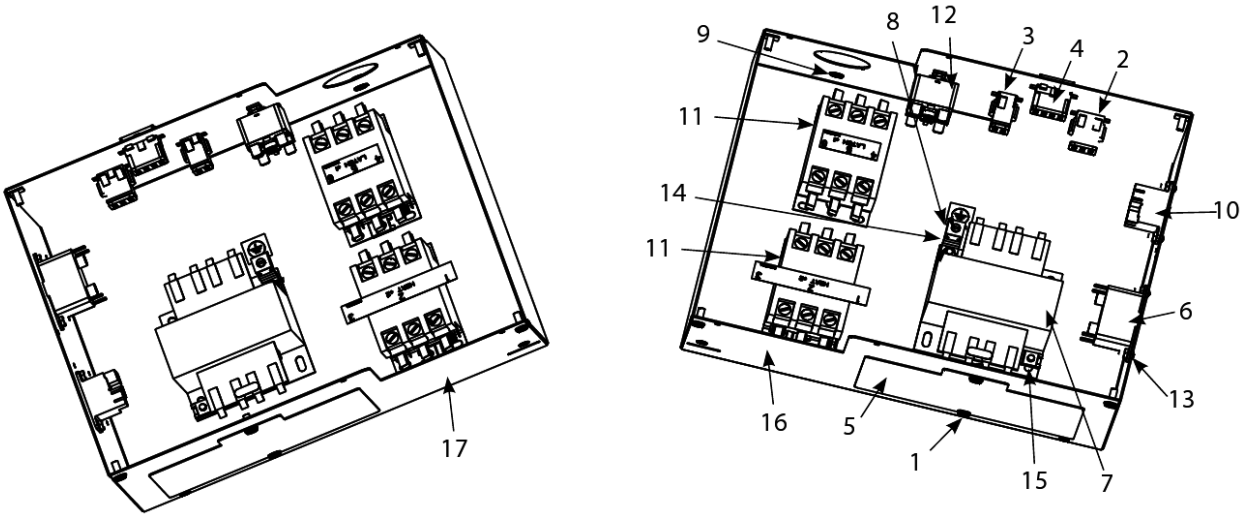
#	PART #	DESCRIPTION	QTY	Note
1	1064978	Contactor Box Assembly	1	
2	1065131	Wire Assembly, CI Single FP	1	
3	1065132	Wire Assembly, HV DV LT Contactor Single	1	
4	1065133	Wire Assembly, HV DV RT Contactor Single	1	
5	2109440	Cover, Contactor Box Single FP	1	
6	2109751	Box, Contactor Single FP	1	
7	8070012	Filter Relay - 18A 24VAC	1	
8	8070878	Block, Terminal 3 Lug 12 P	1	
9	8071338	Fitting, Plastic 0.75 Dia Conduit	1	
10	8071683	Relay, 12VDC Secondary Blower Fan to cool frypot	1	
11	8072284	Contactor, 24V 50 Amp Mechanical	1	
12	8072434	Relay, Shunt 24V Coil Amp	1	
13	8090096	Screw, 6-32 x 0.625-inch Slot Head	1	
14	8090102	Screw, 8 - 32 x 0.375 TR HD ZP	1	
15	8090250	Nut, 6-32 Keps Hex	1	
16	8090266	Screw, 10 x 0.5-inch Phillips Head ZP	1	
17	8090360	Screw, 8 x 0.375-inch Hex Washer Slot Head	1	
18	8090500	Screw, 10 x 0.5-inch Hex Washer Head 410 SS	1	
19	8120917	Conduit, 0.75 x 12 LG Flexible	1	
20	WIR0427	Wire Assembly, Navy Single FP	1	
21	WIR0650	Wire Assembly, Contactor Single FP	1	

Contactor Boxes - FPH117 Single Contactor Box

---

# Pro Series Marine Electric Fryers

## Contactors Boxes - FPPH217 Contactor Box



Contactors Boxes - FPPH217 Contactor Box

# Pro Series Marine Electric Fryers

## Contactor Boxes - FPPH217 Contactor Box

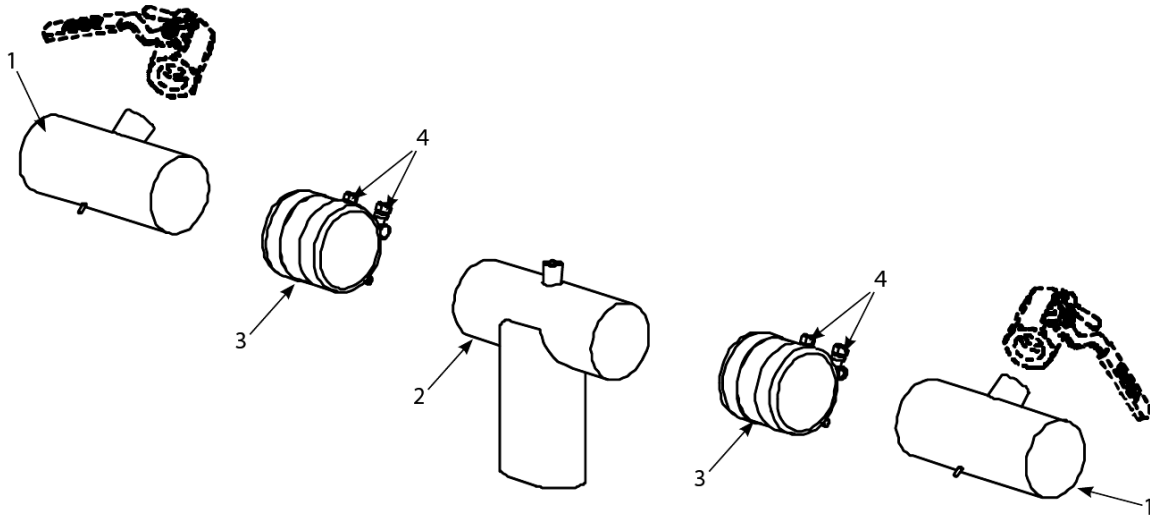
#	PART #	DESCRIPTION	QTY	Note
1	8261374	Screw - #10 x 0.5" Hex Head	25	
2	1065149	Wire Harness, Contactor Box Right Element FPP	1	
3	1065150	Wire Harness, Contactor Box Left Element FPP	1	
4	1065152	Wire Harness, Contactor Box CI FV FPP	1	
5	2109677	Door, Contactor Box w/o Hinge	1	
6	8070012	Filter Relay - 18A 24VAC	1	
7	8070064	Transformer, 480V/120V 150 VA	1	
8	8070070	Terminal, Ground Lug	1	
9	8261339	Bushing, .375-inch Split	10	
10	8071683	Relay, 12VDC Secondary Blower Fan to cool frypot	1	
11	8072284	Contactor, 24V 50 Amp Mechanical	1	
12	8072434	Relay, Shunt 24V Coil Amp	1	
13	8261358	Nut, 6-32 Keps Hex	25	
14	8261376	Nut - #10-32 Keps Hex	10	
15	8090448	Clip, Tinnerman	1	
16	1065117	Box Assembly, FPP Right Contactor	1	
17	1065118	Box Assembly, FPP Left Contactor	1	
18	8090360	Screw, 8 x 0.375-inch Hex Washer Slot Head	1	
19	8090123	Screw - #10 x 0.75" - Slot Head	1	
20	8261365	Screw, 6-32 x 0.375-inch Slot Head	25	
21	2109634	Lid, Left or Right Contactor Box	1	
22	1064924	Left complete assembly	1	
23	1064923	Right complete assembly	1	

Contactor Boxes - FPPH217 Contactor Box

---

# Pro Series Marine Electric Fryers

## Drain System Components - FPPH217 Euro-Look Drain Tube Sections And Associated



### Drain System Components - FPPH217 Euro-Look Drain Tube Sections And Associated Parts

# Pro Series Marine Electric Fryers

## Drain System Components - FPPH217 Euro-Look Drain Tube Sections And Associated

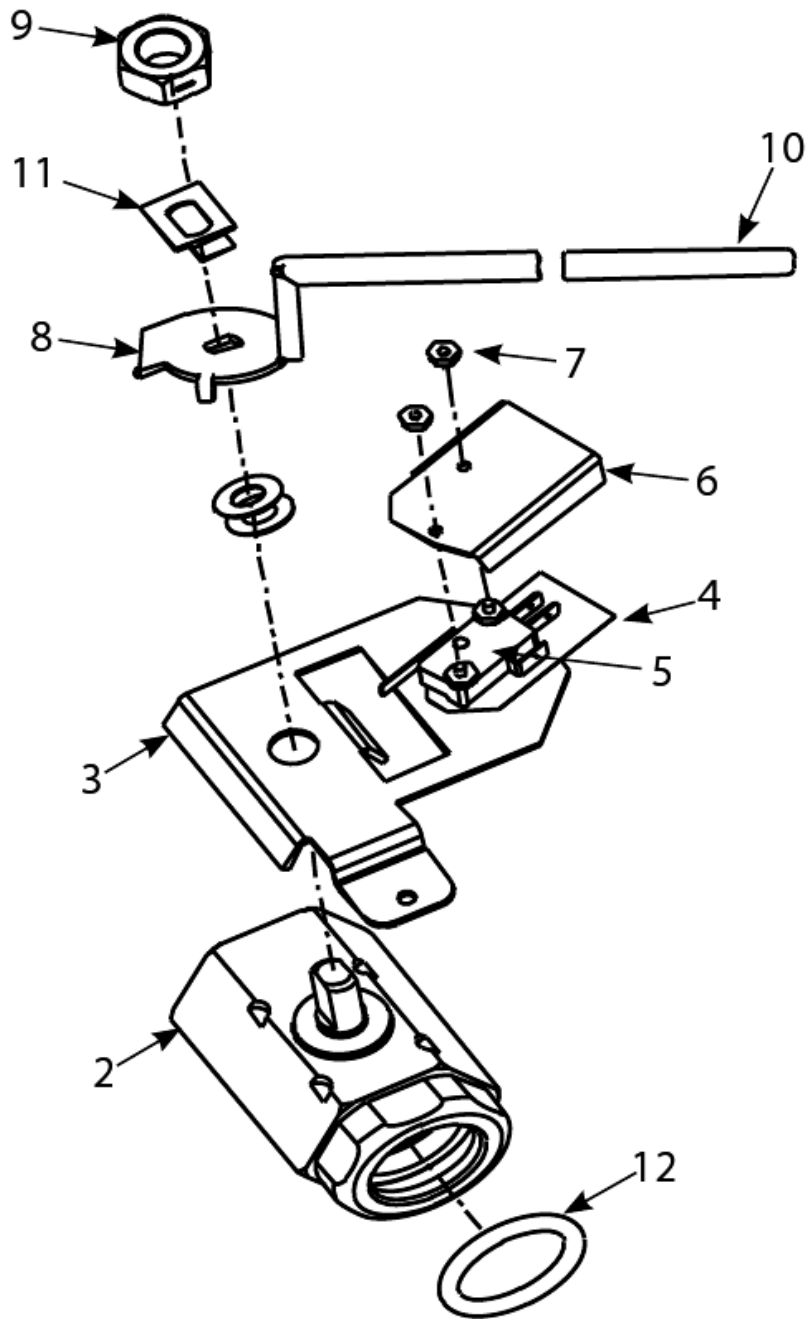
#	PART #	DESCRIPTION	QTY	Note
1	8234625	Drain Tube, Short Full-Vat Left Open/Right End Closed	1	
2	8234892	Drain Outlet Center Dump	1	
3	8160729	Sleeve, Drain Connector	1	
4	8090969	Clamp 3"	1	
5	8102492	Fitting, Quick-Connect Straight	1	[1]
6	8111071	Tube, 0.25-inch OD Teflon Manifold Vent	1	

**PART NOTES:**

[1] - receives Teflon vent tube

# Pro Series Marine Electric Fryers

## Drain Valve Assembly And Component Parts - FPH117 Single Drain Valve Assembly



Drain Valve Assembly And Component Parts - FPH117 Single Drain Valve Assembly

FRY\_P\_0051\_5\_15\_Drain Valve Assembly And Component Parts - FPH117 Single Drain Valve Assembly.pdf

# Pro Series Marine Electric Fryers

## Drain Valve Assembly And Component Parts - FPH117 Single Drain Valve Assembly

#	PART #	DESCRIPTION	QTY	Note
1	1064962	Valve Assembly, Full Vat Drain	1	
2	8102946	Valve, 1.25-inch Full-Vat Drain	1	
3	1065391	Bracket Assembly, Full-Vat Drain Safety Switch Single Footprint Only	1	
4	8160220	Insulation, Microswitch	1	
5	8072103	Microswitch	1	
6	2109178	Cover, Dual Vat Drain Safety Switch	1	
7	8261366	Nut - #4-40 Keps Hex	25	
8	8241602	Handle, Valve, Full-vat	1	
9	2109203	Retainer, Oil Return Valve Nut	1	
10	8160639	Cap, Vinyl Red	1	
11	2109177	Retainer, Full-Vat Drain Valve Nut	1	
12	8160135	O-ring	1	
13	8130188	Drain Nipple, Extended	1	

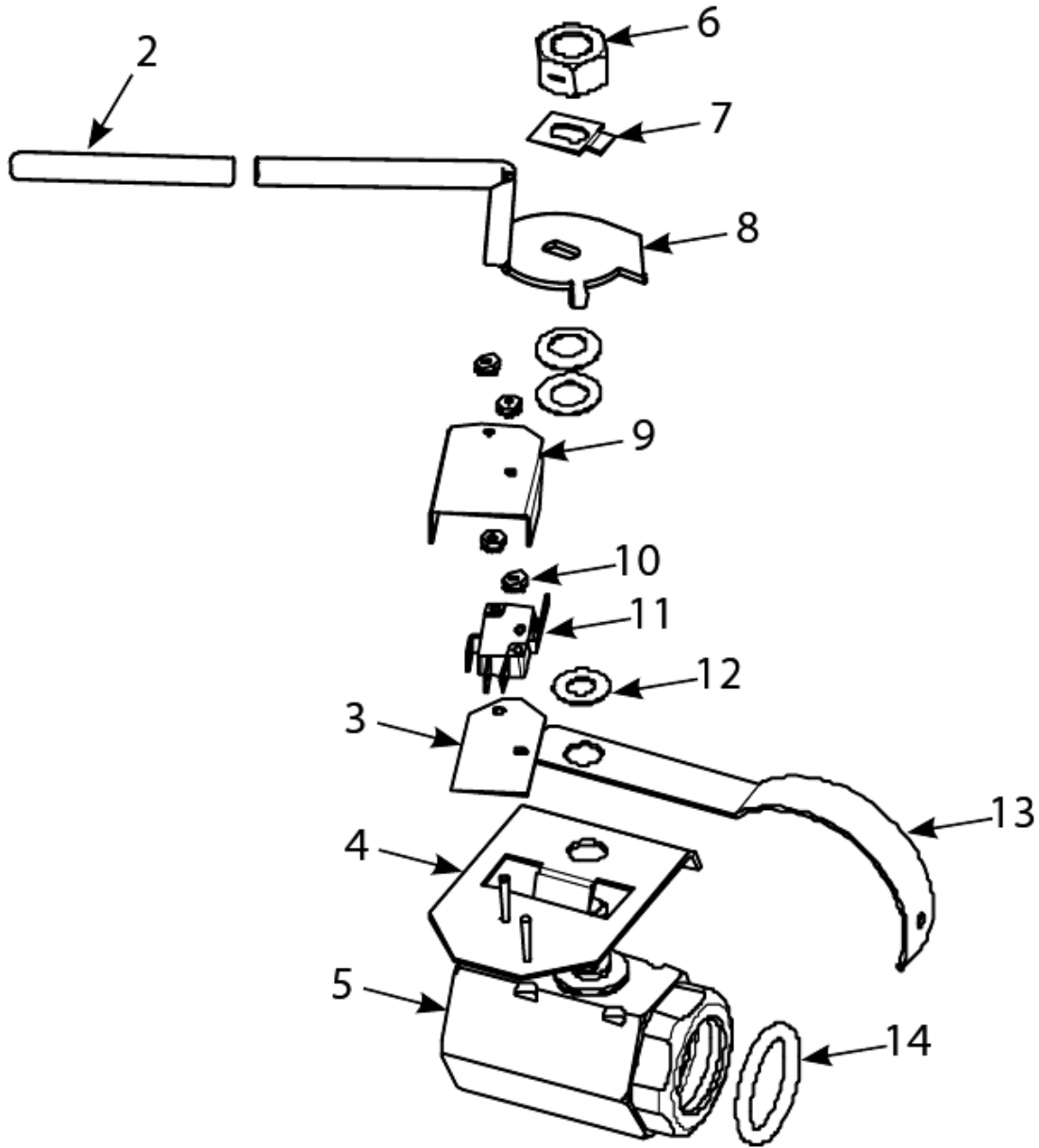
Drain Valve Assembly And Component Parts - FPH117 Single Drain Valve Assembly

---



# Pro Series Marine Electric Fryers

## Drain Valve Assembly And Component Parts - FPPH 217 Euro-Look Drain Valve Assembly and



Drain Valve Assembly And Component Parts - FPPH 217 Euro-Look Drain Valve Assembly and Compon

FRY\_P\_0051\_5\_15\_Drain Valve Assembly And Component Parts - FPPH 217 Euro-Look Drain Valve Assembly and Component Parts.pdf

## Pro Series Marine Electric Fryers

### Drain Valve Assembly And Component Parts - FPPH 217 Euro-Look Drain Valve Assembly and

#	PART #	DESCRIPTION	QTY	Note
1	1064920	Valve Assembly, Full Vat Drain	1	
2	8160639	Cap, Vinyl Red	1	
3	8160220	Insulation, Microswitch	1	
4	8068137	Bracket Assembly, Full-Vat Drain Safety Switch	1	
5	8102946	Valve, 1.25-inch Full-Vat Drain	1	
6	8090540	Nut, Lock 0.5-inch-13 Hex 2-Way ZP	1	
7	2109025	Retainer, Full-Vat Drain Valve Nut	1	
8	8241602	Handle, Valve, Full-vat	1	
9	2109178	Cover, Dual Vat Drain Safety Switch	1	
10	8261366	Nut - #4-40 Keps Hex	25	
11	8072103	Microswitch	1	
12	8101165	Washer, Teflon Drain Valve	1	
13	2108966	Support, 3" Drain	1	
14	8160135	O-ring	1	
15	WIR0572	Wire Bundle, Drain Safety Switch	1	

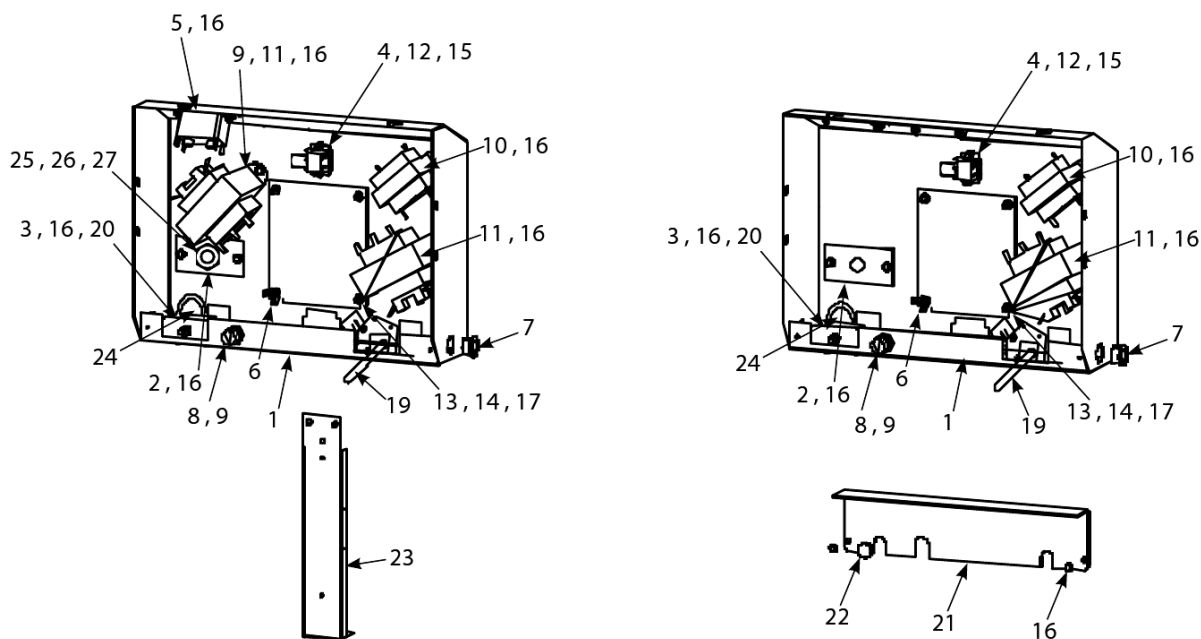
Drain Valve Assembly And Component Parts - FPPH 217 Euro-Look Drain Valve Assembly and Compon

FRY\_P\_0051\_5\_15\_Drain Valve Assembly And Component Parts - FPPH 217 Euro-Look Drain Valve Assembly and Component Parts.pdf



# Pro Series Marine Electric Fryers

## Electronics And Wiring Components Single - Component Boxes , FPPH 217 Single Component



Electronics And Wiring Components Single - Component Boxes , FPPH 217 Single Component Boxes

FRY\_P\_0051\_5\_15\_Electronics And Wiring Components Single - Component Boxes , FPPH 217 Single Component Boxes.pdf

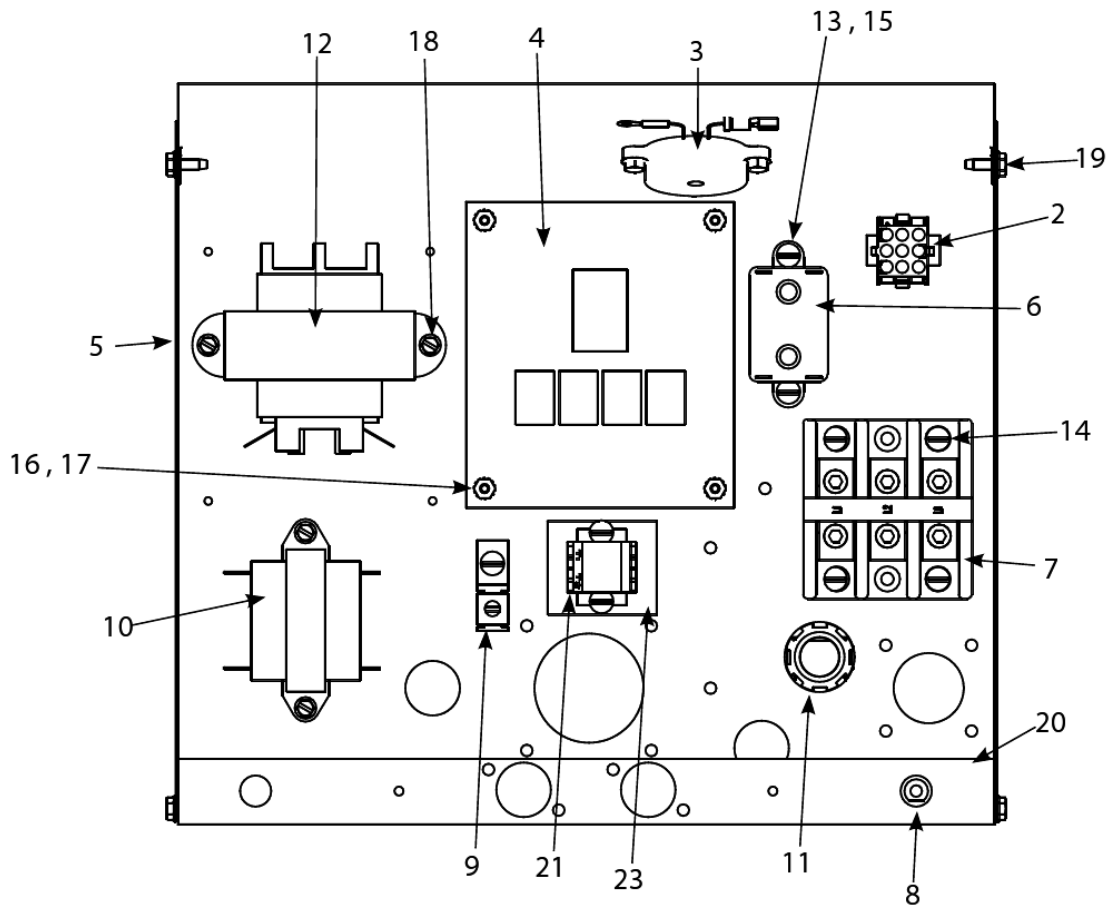
## Pro Series Marine Electric Fryers

### Electronics And Wiring Components Single - Component Boxes , FPPH 217 Single Component

#	PART #	DESCRIPTION	QTY	Note
1	1064757	Box Assembly, Component	1	
2	2109002	Bracket, Component Box Strain Relief	1	
3	2109003	Bracket, Circuit Breaker	1	
4	8069495SP	Terminal Block and Wire Assembly	1	
5	8070012	Filter Relay - 18A 24VAC	1	
6	8261337	Tab, 0.25-inch Terminal	5	
7	8070121	Bushing, Heyco SB-625-500	1	
8	8071321	Holder, Fuse	1	
9	8071597	Fuse - 3amp Slo-Blow	1	
10	8070855	Transformer - 120V/50-60 Hz - 12V 20VA	1	
11	8072181	Transformer, 100-120V/24V 62VA	1	
12	8261366	Nut - #4-40 Keps Hex	25	
13	8090250	Nut, 6-32 Keps Hex	1	
14	8090349	Spacer, 4mm X 6mm Aluminum	1	
15	8261359	Screw - #4-40 x 0.75" Slotted Round Head	25	
16	8090359	Screw, 8 x 0.25-inch Hex Washer Head	1	
17	8067935	Interface Board, Navy Shipboard	1	
18	8073932	Relay, Heat/Latch 12VDC SPDT 12 Amp Sealed	1	
19	1065120	Handle Assembly, Full-Vat t Rear Flush Complete	1	
20	8070069	Circuit Breaker, 10 Amp	1	
21	2109118	Guard, Finger	1	
22	8102445	Plug, Button .625 Heyco Double "D"	1	
23	2108995	Brace, Component Box	1	
24	8071083	Bushing, Heyco	1	
25	8073868	Strain Relief	1	
26	8090581	Nut, 0.5 NPT Locking	1	
27	8090582	Washer 0.5 NPT Locking	1	

# Pro Series Marine Electric Fryers

## Electronics And Wiring Components Single - Component Boxes, FPH117 Single Component



## Electronics And Wiring Components Single - Component Boxes, FPH117 Single Component Box

FRY\_P\_0051\_5\_15\_Electronics And Wiring Components Single - Component Boxes, FPH117 Single Component Box.pdf

## Pro Series Marine Electric Fryers

### Electronics And Wiring Components Single - Component Boxes, FPH117 Single Component

#	PART #	DESCRIPTION	QTY	Note
1	1064973	Component Box Assembly	1	
2	1060313	Wire Assembly, Component SFP120	1	
3	8067179	Sound Device	1	
4	8067935	Interface Board, Navy Shipboard	1	
5	1064974	Component Box W/ Studs	1	
6	8070012	Filter Relay - 18A 24VAC	1	
7	8070065	Block, Terminal	1	
8	8070069	Circuit Breaker, 10 Amp	1	
9	8070070	Terminal, Ground Lug	1	
10	8070855	Transformer - 120V/50-60 Hz - 12V 20VA	1	
11	8071612	Clamp, 0.375-inch Strain Relief	1	[1]
12	8072181	Transformer, 100-120V/24V 62VA	1	
13	8090102	Screw, 8 - 32 x 0.375 TR HD ZP	1	
14	8090104	Screw, 8-32 x 0.5-inch Slotted Head ZP	1	
15	8090247	Nut - #8-32 Keps Hex	1	
16	8090250	Nut, 6-32 Keps Hex	1	
17	8090349	Spacer, 4mm X 6mm Aluminum	1	
18	8090360	Screw, 8 x 0.375-inch Hex Washer Slot Head	1	
19	8261374	Screw - #10 x 0.5" Hex Head	25	
20	8100045	Bushing, .875 Dia. Hole 0.6875"	1	
21	8101164	Block, One-Piece Screwless Terminal	1	
22	8120368	Conduit, Flex 0.375"	1	
23	8160217	Insulation, Terminal Block Paper	1	
24	WIR0428	Wire Assembly, Navy SFP Component	1	
25	WIR0581	Wire Assembly, Transformer 440V	1	

**PART NOTES:**

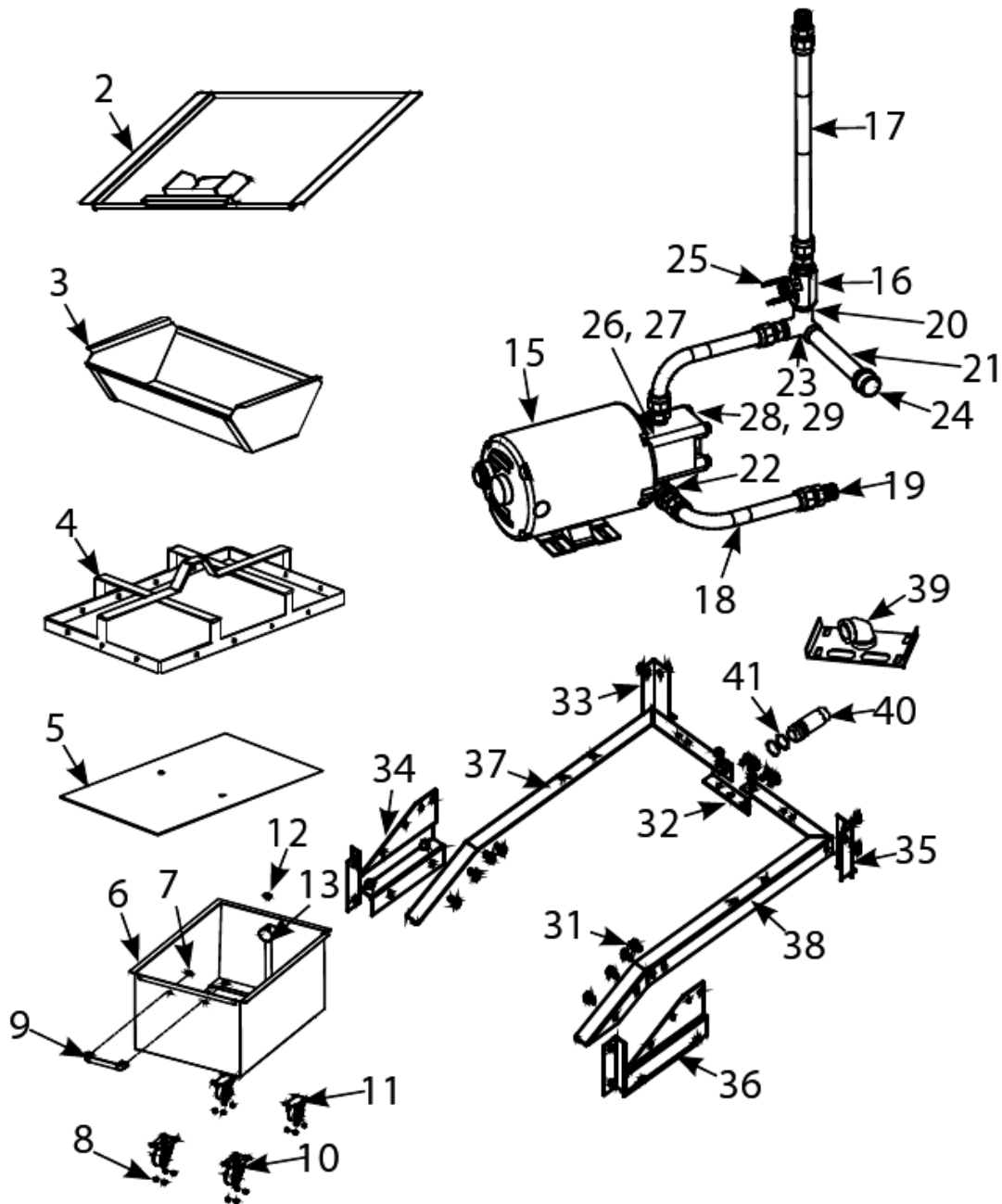
[1] - Thin Screw

---

Electronics And Wiring Components Single - Component Boxes, FPH117 Single Component Box

# Pro Series Marine Electric Fryers

## Filtration System Components - FPH117 Single Filtration Components



Filtration System Components - FPH117 Single Filtration Components

FRY\_P\_0051\_5\_15\_Filtration System Components - FPH117 Single Filtration Components.pdf

# Pro Series Marine Electric Fryers

## Filtration System Components - FPH117 Single Filtration Components

#	PART #	DESCRIPTION	QTY	Note
1	1064945	Assembly, Filter Pan Single FPH117	1	
2	8069547	Lid, Single FPH117	1	
3	8103161	Crumb Tray	1	
4	8232899	Hold Down Ring	1	
5	8103538	SanaGrid Filter Screen	1	
6	8235141	Pan, Filter	1	
7	8261360	Screw - #10-24 x 0.3125" Round Slot Head ZP	25	
8	8261376	Nut - #10-32 Keps Hex	10	
9	8100180	Handle	1	
10	8102805	Caster - 2"	1	
11	8102807	Caster - 2" Rigid	1	
12	8130568	Plug, 0.125" SS NPT, Sq-Head	1	
13	8235142	Tube, Pan Suction Single FP	1	
14	1064976	Plumbing Assembly, 120V FV Single FP	1	
15	8066034	Pump & Motor Assembly, 115V 60 HZ	1	
16	8102944	Valve, 0.5-inch Ball	1	
17	8101057	Flexline - Oil Return - 13" L	1	
18	8101067	Flexline - Oil Return - 0.625" OD x 8.5" L	1	
19	8101668	Male Adaptor - 0.625" OD x 0.5"	1	
20	8130022	Nipple, 0.5" Close NPT BM	1	
21	8130098	Nipple, 0.5-inch x 6.5-inch	1	
22	8130616	Elbow, ST 0.5" x 0.5" NPT 90° BM	1	
23	8130331	Elbow, V-Side Outlet 0.5" NPT	1	
24	8130469	Cap, 0.5-inch NPT Pipe	1	
25	2109197	Handle, Right RF Valve	1	
26	8261264	Pump Kit - 4 GPM	1	
27	8160093	Gasket - Pump/Motor	1	
28	8090514	Cap Screw - 0.3125" 18 NC Hex	1	
29	8090194	Flat Washer - 0.3125" ZP	1	
30	1064951	Rail Assembly, Filter Pan Single FPH117	1	
31	8090500	Screw, 10 x 0.5-inch Hex Washer Head 410 SS	1	
32	2109145	Angle, Joining, Pan Rails Filter Magic	1	
33	2119147	Leg, Pan Rail FM Left	1	
34	2119146	Bracket, Attaching Filter Pan Left	1	
35	2129147	Leg, Pan Rail FM Right	1	
36	2129146	Bracket, Attaching Filter Pan Right	1	
37	2119455	Rail, Filter Pan Left	1	
38	2129455	Rail, Filter Pan Right	1	
39	8235151	Mount W/A, Male Connector	1	
40	8100697	Disconnect, Male	1	[1]
41	8261392	O-Ring	5	

**PART NOTES:**

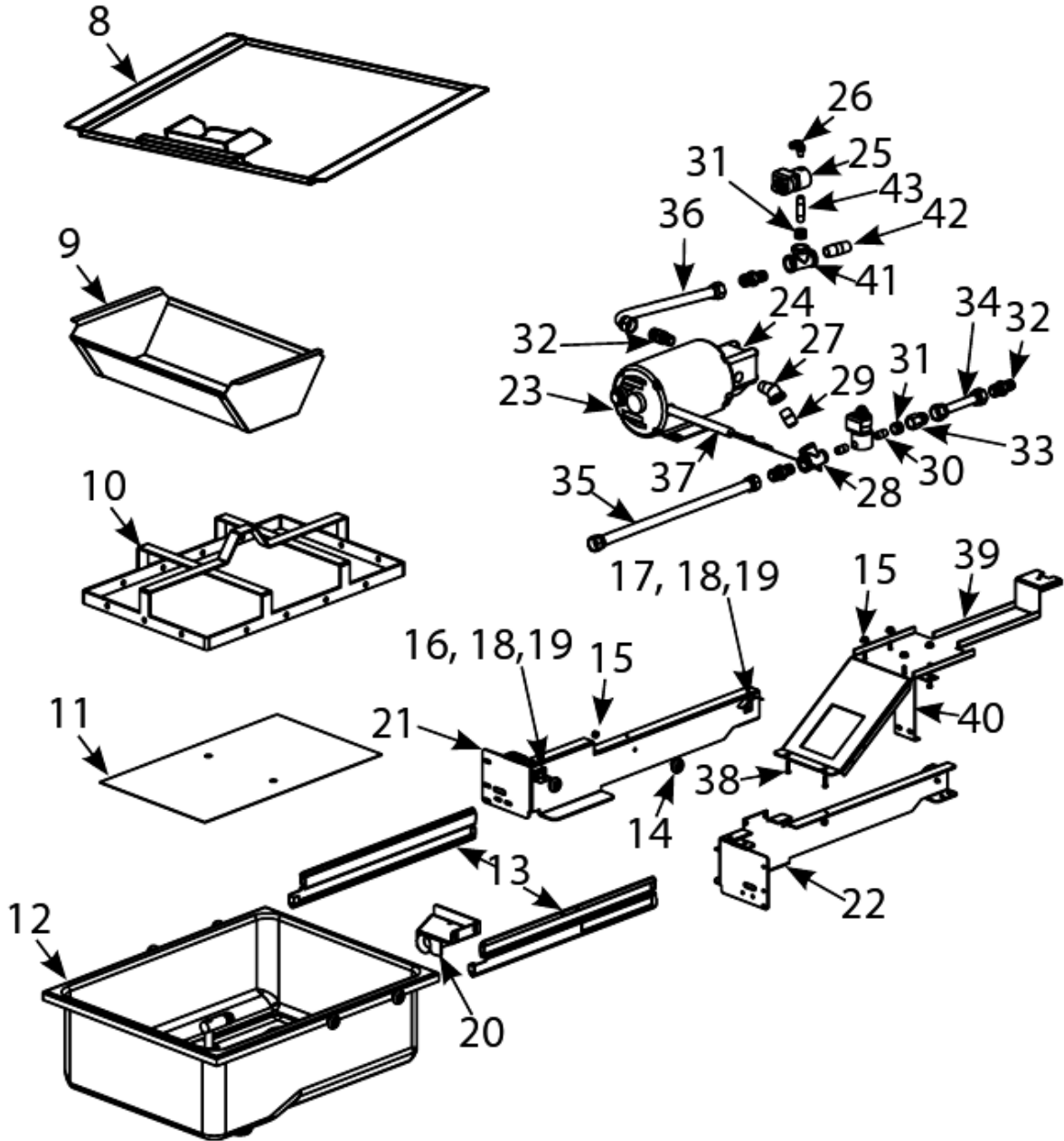
[1] - Male

## Filtration System Components - FPH117 Single Filtration Components



# Pro Series Marine Electric Fryers

## Filtration System Components - FPPH217 Filtration Components



Filtration System Components - FPPH217 Filtration Components

# Pro Series Marine Electric Fryers

## Filtration System Components - FPPH217 Filtration Components

#	PART #	DESCRIPTION	QTY	Note
1	8261979	Filter Pan Roller Kit	1	[1]
2	8261980	Service Filter Pan	1	[2]
3	8261981	Service Filter Pan Assembly	1	[3]
4	8261392	O-Ring	5	[4]
5	8130568	Plug, 0.125" SS NPT, Sq-Head	1	
6	8111071	Tube, 0.25-inch OD Teflon Manifold Vent	1	[5]
7	1062851	Heater Strip Assembly, 208-250V	1	
8	8235130	Lid, Filter Pan	1	
9	8103161	Crumb Tray	1	
10	8102091	Hold Down Ring	1	
11	2002124	SanaGrid Filter Screen	1	
12	1064925	Pan, One-Piece Filter	1	[6]
13	8102012	Rail Set, Filter Pan Roller	1	[7]
14	8102198	Roller, Filter Pan and Rail	1	
15	8261372	Nut Grip 0.25-inch 0.25-20 Hex NP	10	
16	8234675	Bracket, Lid Support	1	
16a	8233875	Bracket, Lid Support	1	[8]
17	2109000	Guide, Filter Pan Lid, Left	1	
18	8090503	Screw - #8-32 x 0.5" Slotted Truss Head	1	
19	8090247	Nut - #8-32 Keps Hex	1	
20	8235133	Suction Tube	1	
21	2108979	Rail, Left Filter	1	
22	2108978	Rail, Right Filter	1	
23	8261712	Motor and Gasket Kit - 115V/50-60 Hz	1	
24	8261264	Pump Kit - 4 GPM	1	
25	8072484	Solenoid Valve - 0.25"	1	
26	8102493	Elbow, 90° 0.125-inch NPT x 0.25-inch Quick Connect	1	
27	8130342	Elbow, 0.5-inch 45° Street	1	
28	8130530	Tee, Reducing 0.5-inch x 0.25-inch x 0.5-inch	1	
29	8130087	Nipple, 0.5-inch NPT x 1.5-inch (3.8 cm)	1	
30	8130838	Nipple - 0.25" NPT	1	
31	8130304	Bushing, 0.5-inch NPT to 0.25-inch NPT Flush Reducing	1	
32	8101668	Male Adaptor - 0.625" OD x 0.5"	1	
33	8101669	Female Adaptor - 0.875" OD x 0.5"	1	
34	8101680	Flexline - 0.625" OD x 6.5" L	1	
35	8101057	Flexline - Oil Return - 13" L	1	
36	8101043	Flexline - Oil Return - 9.5" L	1	
37	8073828	Cable, FootPrint Pro Pump Motor	1	
38	8261375	Screw - #10-32 x 0.75" - Hex Trim Head SS	5	
39	2109016	Bridge, Filter Motor	1	
40	2109029	Support, Contactor Box	1	
41	8130003-FRY	Tee - 0.5" NPT	1	
42	8130298	Nipple, 0.5" x 2.00" NPT BM Pipe	1	
43	8130537	Nipple - 0.25" x 2"	1	
44	8101043	Flexline - Oil Return - 9.5" L	1	
45	8101057	Flexline - Oil Return - 13" L	1	

## Filtration System Components - FPPH217 Filtration Components

# Pro Series Marine Electric Fryers

## Filtration System Components - FPPH217 Filtration Components

#	PART #	DESCRIPTION	QTY	Note
---	--------	-------------	-----	------

**PART NOTES:**

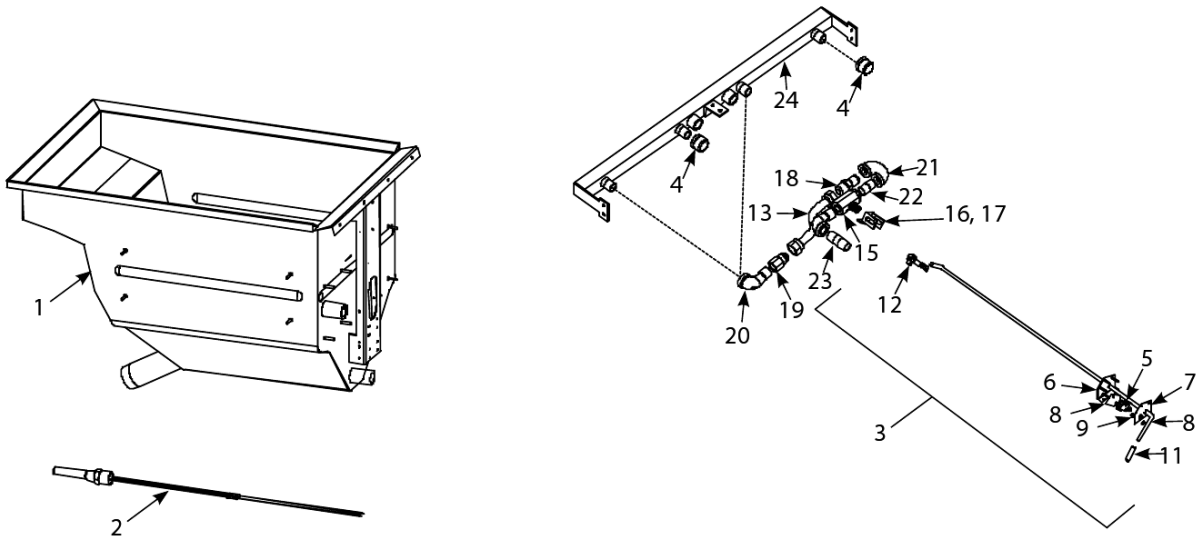
- [1] - includes rollers and nuts
- [2] - Item 12 minus Item 9
- [3] - includes SanaGrid Filter screen and Hold down Ring
- [4] - used with Item 12
- [5] - sold by the foot
- [6] - includes crumb tray
- [7] - includes one left and one right
- [8] - for units built before Feb 04

Filtration System Components - FPPH217 Filtration Components

---

# Pro Series Marine Electric Fryers

## Frypot Assembly, Thermostat & Oil Return System Components



Frypot Assembly, Thermostat & Oil Return System Components

# Pro Series Marine Electric Fryers

## Frypot Assembly, Thermostat & Oil Return System Components

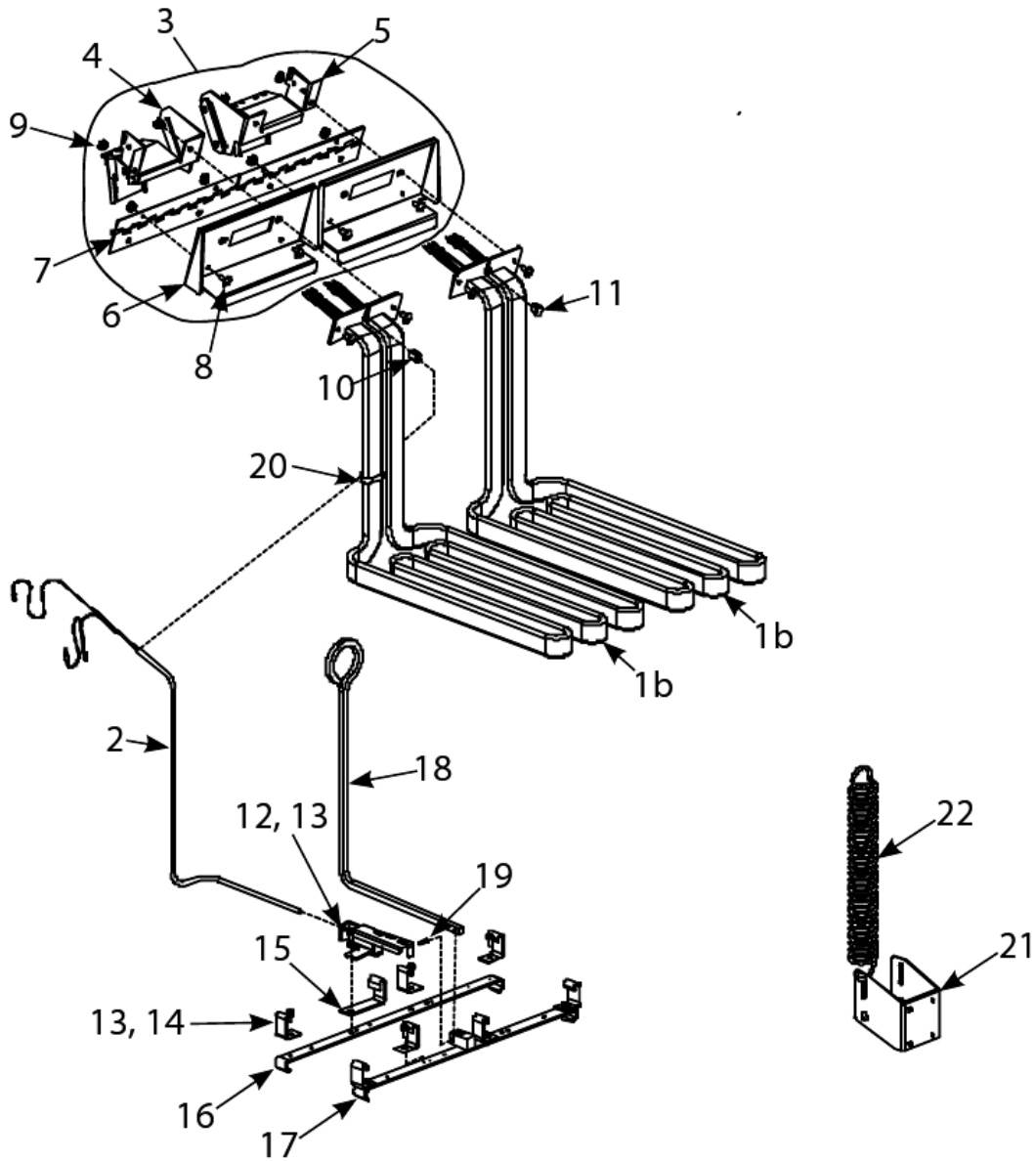
#	PART #	DESCRIPTION	QTY	Note
1	8235312	Frypot	1	
2	8261177	Thermostat, High-Limit 425°F/218°C	1	
3	1065120	Handle Assembly, Full-Vat t Rear Flush Complete	1	
4	8130469	Cap, 0.5-inch NPT Pipe	1	
5	8072103	Microswitch	1	
6	1064749	Bracket Assembly	1	
7	2108998	Bracket, Handle Retainer	1	
8	8160220	Insulation, Microswitch	1	
9	8261366	Nut - #4-40 Keps Hex	25	
10	8102972	Rod, Handle Full-Vat	1	
11	8160643	Grip, Oil Return Valve Handle	1	
12	8090601	Clip, Clevis	1	
13	8102532	Flexline - 7" L	1	
14	8101067	Flexline - Oil Return - 0.625" OD x 8.5" L	1	
15	8102944	Valve, 0.5-inch Ball	1	
16	2005438	Handle, Rear Flush Valve	1	
17	9002935	Retainer, Nut Oil Return Valve	1	
18	8101668	Male Adaptor - 0.625" OD x 0.5"	1	
19	8101669	Female Adaptor - 0.875" OD x 0.5"	1	
20	8130165	Elbow - 0.5" x 90° NPT Street	1	
21	8130570	Elbow, 180° 0.5-inch NPT	1	
22	8130022	Nipple, 0.5" Close NPT BM	1	
23	8130298	Nipple, 0.5" x 2.00" NPT BM Pipe	1	
24	8102255	Manifold, Two-Station Fryer	1	

Frypot Assembly, Thermostat & Oil Return System Components

---

# Pro Series Marine Electric Fryers

## Heating Element Assembly And Associated Parts



Heating Element Assembly And Associated Parts

# Pro Series Marine Electric Fryers

## Heating Element Assembly And Associated Parts

#	PART #	DESCRIPTION	QTY	Note
1	1064964	Element Assembly FV 440V 17kW w/ Lift Handle Single FPH117	1	
1a	1064922	Element Assembly FV 480V 17kW w/ Lift Handle FPPH217	1	
1b	8072650	Element, 440V 18.5 kW	1	
1c	8072652	Element, 480V 18.5 kW	1	
2	8261526	Probe, Temperature	1	[1]
3	1064965	Tilt Plate Assembly Single FPH117	1	
3a	1064921	Tilt Plate Assembly FPPH217	1	
4	1064966	Bracket, Left Spring Slot Single FPH117	1	
4a	1064759	Bracket, Left Spring Slot FPPH217	1	
5	1064967	Bracket, Right Spring Slot Single FPH117	1	
5a	1064760	Bracket, Right Spring Slot FPPH217	1	
6	2109183	Tilt Plate, Single FPH117	1	
6a	2109108	Tilt Plate, FPPH217	1	
7	8100035	Hinge	1	
8	8261330	Screw, 10-32 x 0.375-inch Slot Head SS	25	
9	8261376	Nut - #10-32 Keps Hex	10	
10	8071025	Bushing, 0.375-Split	10	
11	8160480	Plug, .375-inch Dome	1	
12	9105022	Bracket, Temperature Probe	1	
13	8090503	Screw - #8-32 x 0.5" Slotted Truss Head	1	
14	2109180	Clamp, Element (Short)	1	
14a	2109109	Clamp, Element (Short) FPPH217	1	
15	2109181	Clamp, Element (Long) Single FPH117	1	
15a	2109110	Clamp, Element (Long) FPPH217	1	
16	9103681	Support, Full-Vat Element Rear	1	
17	8232377	Support, Full-Vat Element Front	1	
18	8102971	Handle, Element Lift SS	1	
19	8261364	Pin, .125 X .5-inch Split	25	
20	8090567	Tie-Wrap - Metal	1	
21	2109192	Bracket, Lower Spring Slot Single FPH117	1	
21a	2109001	Bracket, Lower Spring Slot (Stainless) FPPH217	1	
22	8102945	Spring, Element FPH117, FPPH217	1	
23	8262228	Tilt Switch, CE	1	[2]
24	1066588	Magnetic Position Sensor Assembly with Bracket	1	
25	8103007	Magnet - Ring	1	
26	2301613	Bracket, Magnet mount	1	

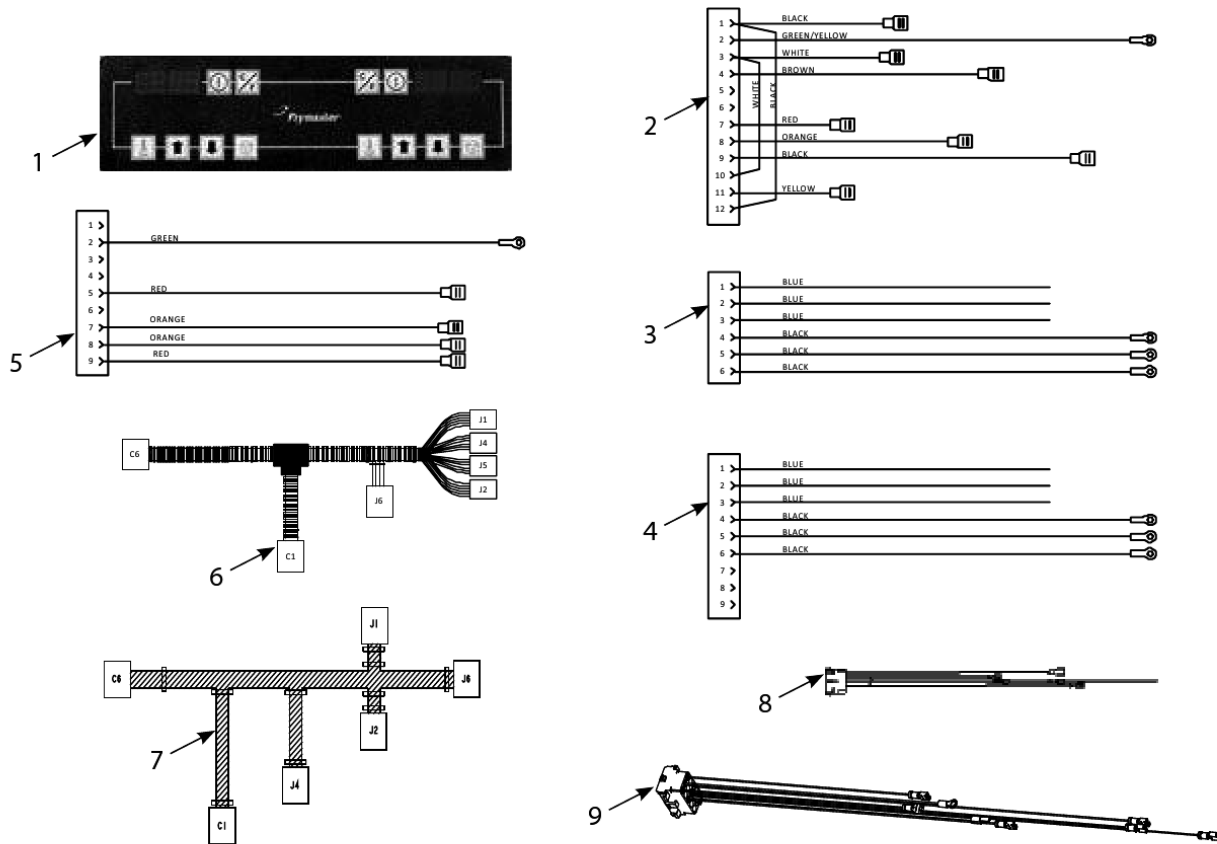
### PART NOTES:

- [1] - incl. Probe and Tie Wrap
- [2] - Full-Vat requires one switch and Dual-Vat requires two

## Heating Element Assembly And Associated Parts

# Pro Series Marine Electric Fryers

## Remote Digital Controller, Wiring Assemblies And Harnesses



Remote Digital Controller, Wiring Assemblies And Harnesses



# Pro Series Marine Electric Fryers

## Remote Digital Controller, Wiring Assemblies And Harnesses

#	PART #	DESCRIPTION	QTY	Note
1	1064931	Remote Digital Controller	1	
1a	1065142	Remote Controller Cable	1	
2	1062522	Contactor Box Wiring Assembly – 12-Pin Full-Vat C-1	1	
3	1063465	Contactor Box Wiring Assemblies – 6-Pin	1	[1]
4	1063466	Contactor Box Wiring Assemblies – 9-Pin	1	[2]
5	1060313SP	Single Contactor Box Wiring Assembly 17kW	1	
6	8074033	Main Wiring Harness	1	
7	8074077	Component Box and Filter Pump Wiring Harnesses	1	
8	1062506	Component Box Wiring Harness – 15-Pin	1	
9	1060595	Wire Assembly, CI Single FP	1	

**PART NOTES:**

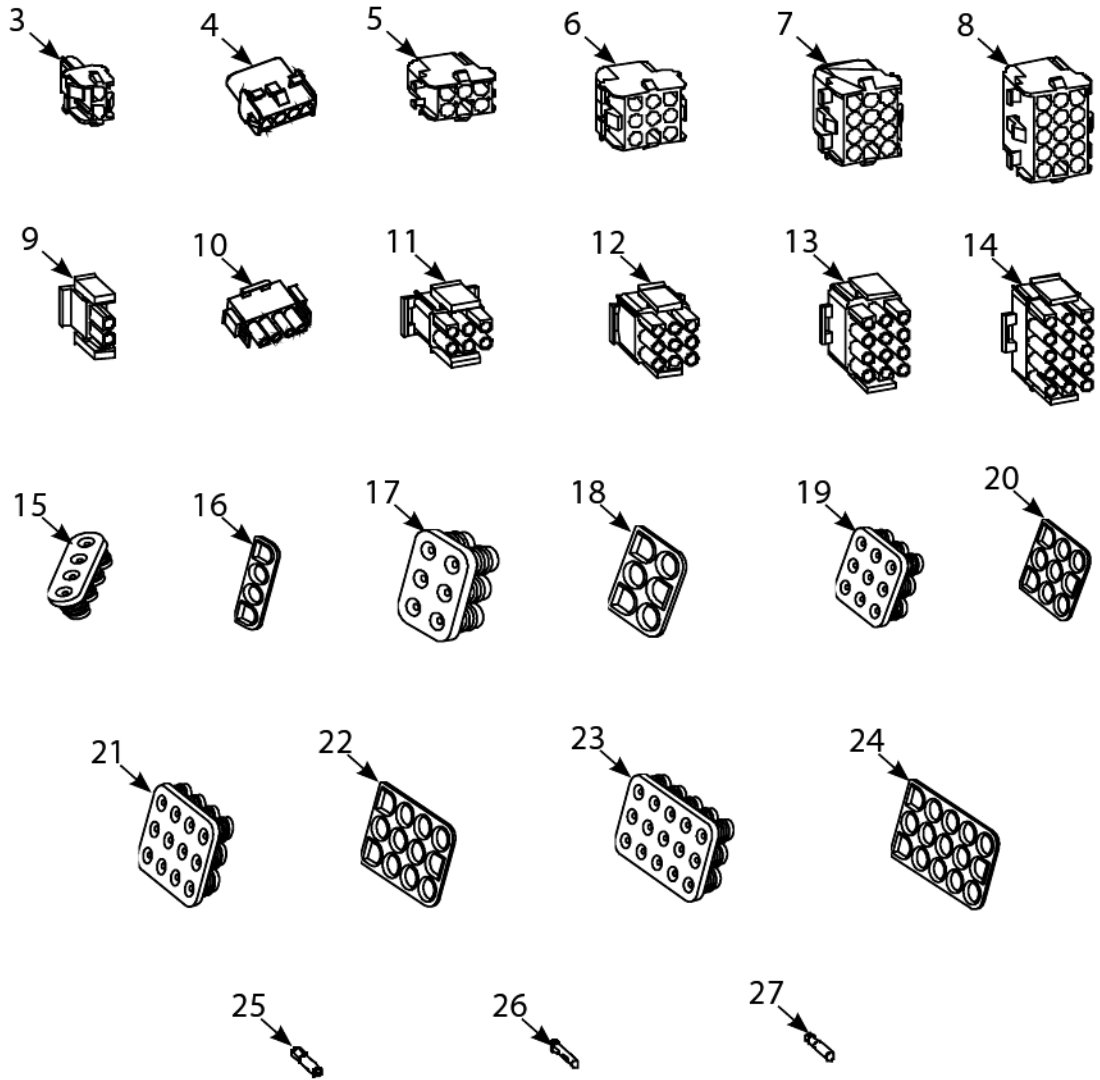
- [1] - Left Element
- [2] - Right Element

Remote Digital Controller, Wiring Assemblies And Harnesses

---

# Pro Series Marine Electric Fryers

## Wiring Connectors, Pin Terminals, Seals, And Power Cords



Wiring Connectors, Pin Terminals, Seals, And Power Cords

FRY\_P\_0051\_5\_15\_Wiring Connectors, Pin Terminals, Seals, And Power Cords.pdf

# Pro Series Marine Electric Fryers

## Wiring Connectors, Pin Terminals, Seals, And Power Cords

#	PART #	DESCRIPTION	QTY	Note
1	8073834	Power Cords, Cable, 3-Phase 4-Wire	1	[1]
2	8074142	Cord, Filter System Power 220V 15A	1	
3	8071068	2-Pin Female	1	
4	8073232	Connectors, 4-Pin Female	1	
5	8070158	6-Pin Female	1	
6	8070156	9-Pin Female	1	
7	8070159	12-Pin Female	1	
8	8070875	15-Pin Female	1	
9	8071067	2-Pin Male	1	
10	8072078	Connectors, 4-Pin Male	1	
11	8070157	6-Pin Male	1	
12	8070155	9-Pin Male	1	
13	8070160	12-Pin Male	1	
14	8070804	15-Pin Male	1	
15	8160675	Universal Mate-N-Lock Seals, 4-Pin Wire Seal	1	
16	8160676	Universal Mate-N-Lock Seals, 4-Pin Interface Connector Seal	1	
17	8160667	Universal Mate-N-Lock Seals, 6-Pin Wire Seal	1	
18	8160668	Universal Mate-N-Lock Seals, 6-Pin Interface Connector Seal	1	
19	8160669	Universal Mate-N-Lock Seals, 9-Pin Wire Seal	1	
20	8160670	Universal Mate-N-Lock Seals, 9-Pin Interface Connector Seal	1	
21	8160671	Universal Mate-N-Lock Seals, 12-Pin Wire Seal	1	
22	8160672	Universal Mate-N-Lock Seals, 12-Pin Interface Connector Seal	1	
23	8160673	Universal Mate-N-Lock Seals, 15-Pin Wire Seal	1	
24	8160674	Universal Mate-N-Lock Seals, 15-Pin Wire Seal	1	
25	8261341	Terminal, Female Split Pin	25	
26	8261342	Terminal, Male Split Pin	25	
27	8072518	Plug, Mate-N-Lock	1	[2]

### PART NOTES:

- [1] - Fryer Power Cable
- [2] - Dummy Pin