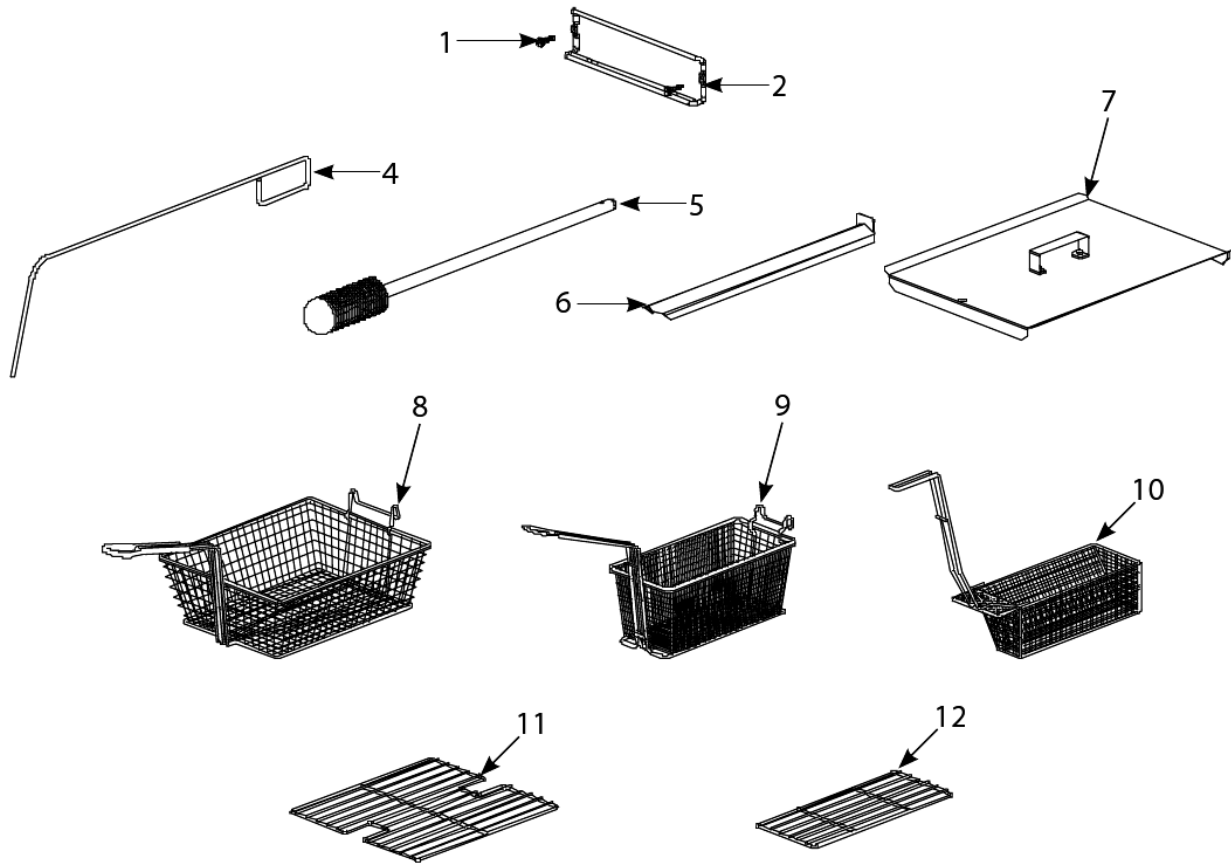


# Re Series Marine E4 Electric Fryers

## Accessories



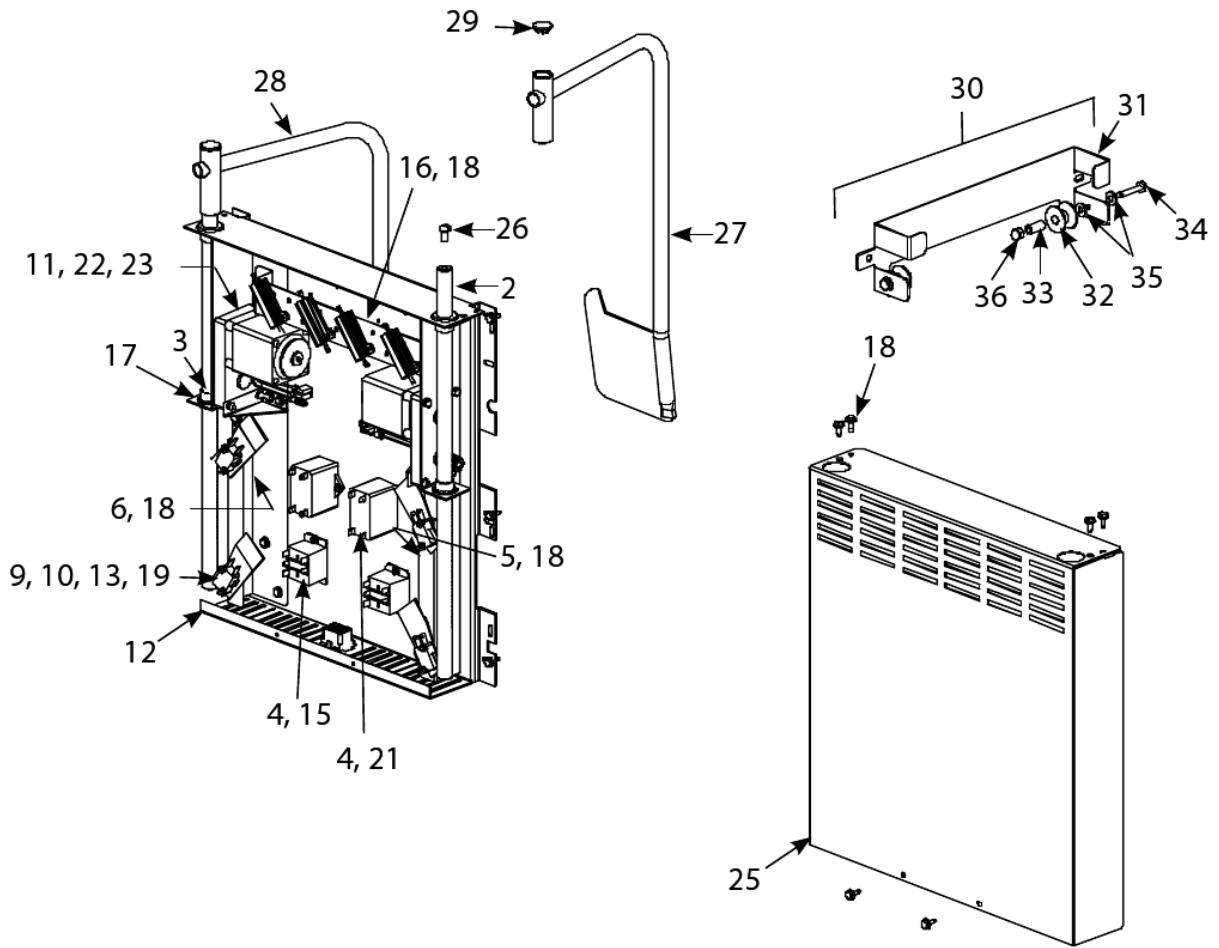
# Re Series Marine E4 Electric Fryers

## Accessories

#	PART #	DESCRIPTION	QTY	Note
1	8090171	Thumbscrew, 0.25-20 x 1.375-inch	1	
2	8102793	Hanger - Wireform Basket	1	
2a	8102794	Basket Hanger	1	
3	8090921-FRY	Spacer, Basket Hanger	1	
4	8030197	Fryer's Friend	1	
5	8030209	Brush, Frypot	1	
6	8235772	Connecting Strip, Frypot	1	
6a	8236000	Connecting Strip, Frypot (for LH)	1	
6b	8235966	Connecting Strip, Frypot (for RH Fryer 0.5)	1	
6c	8235807	Connecting Strip, Frypot Deep Cabinet	1	
7	8063068	Cover, Full-Vat Frypot	1	
7a	8063071	Cover, Dual Vat Frypot	1	
7b	1066349	Cover, Full-Vat Frypot Deep Cabinet	1	
8	8030099	Basket, Full Size	1	
9	8030271	Basket, Twin Size	1	
10	8030122	Sediment Tray, Dual-vat, Left	1	
10a	8030123	Sediment Tray, Dual-vat, Right	1	
10b	8030113	Sediment Tray, Full-vat	1	
10c	8030365	Sediment Tray, Full-Vat (for FV Deep Cabinet)	1	
11	8030132	Rack, Full-Vat Basket Support	1	
11a	8030364	Rack, Full-Vat Basket Support (for FV Deep Cabinet)	1	
12	8030106	Rack, Electric Dual-Vat Basket Support	1	
13	8241664	Spreader Pan	1	
14	8241720	Cover, Spreader Pan	1	
15	8071575	Heatlamp, Merco 120V 2 Bulb	1	
15a	8065278SP	Heatlamp, Merco 120V	1	
15b	8071576	Heatlamp, Merco 240V 2 Bulb	1	
15c	8065285SP	Heatlamp, Merco 240V	1	
16	8030002	Powder, Filter	1	
17	8030170	Filter Paper, 16.5" x 25.75"	1	

# Re Series Marine E4 Electric Fryers

## Basket Lift Assembly and Associated Parts



Basket Lift Assembly and Associated Parts

# Re Series Marine E4 Electric Fryers

## Basket Lift Assembly and Associated Parts

#	PART #	DESCRIPTION	QTY	Note
1	1061805SP	Basket Lift Assy, 200-220VAC w/Relay	1	[1]
2	8101012	Rod, Basket Lift	1	
3	8130035	Bushing , Oiltite .640 I.D.	1	
4	8072513	Capacitor - 12.5 MFD/330VAC	1	
5	9018499	Chassis, Left Basket Lift	1	
6	9028499	Chassis, Right Basket Lift	1	
7	8070159	12-Pin Female	1	
8	9005529	Gusset, Basket Lift Motor	1	
9	8120442	Insulation, Microswitch	1	
10	8072572	Microswitch	1	
11	8065964SP	Motor Assembly - 208-240V	1	
12	2002942	Mount, Modular Basket Lift	1	
13	8261366	Nut - #4-40 Keps Hex	25	
14	8090247	Nut - #8-32 Keps Hex	1	
15	8071683	Relay, 12VDC Secondary Blower Fan to cool frypot	1	
16	1062770SP	Resistor Assy, 208-220VAC Modular Basket Lift	1	
17	8090082	Ring, Bushing Retainer	1	
18	8261374	Screw - #10 x 0.5" Hex Head	25	
19	8261359	Screw - #4-40 x 0.75" Slotted Round Head	25	
20	8261361	Screw - #2-32 x 1" Slotted Truss Head	25	
21	8261371	Screw - #8 x 0.5" Hex Head ZP	25	
22	8090503	Screw - #8-32 x 0.5" Slotted Truss Head	1	
23	8090186	Lock Washer w/External Teeth, #8	1	
24	WIR0166SP	Wire Bundle, 200-250VAC Basket Lift w/Relay	1	
25	9104776	Cover, Modular Basket Lift Rear S/S	1	
25a	9004776	Cover, Modular Basket Lift Rear S/S	1	
26	8090127	Screw, 0.25-20 X 0.5-inch Slotted Round Head	1	
27	8237052	Weldment, Vent 2-battery, 5 battery and 6-battery	1	
28	8237053	Weldment, Vent 3-battery and 5-battery	1	
29	8100179	Button, Plug	1	
30	8069110SP	Roller Assembly, Basket Lift	1	
31	9108112	Bracket, Basket Lift Roller	1	
32	8100194	Roller, Basket Lift	1	
33	8100374	Spacer, Basket Lift Roller	1	
34	8090508	Bolt - 0.25-20 x 1.25"	1	
35	8090190	Washer, .625 X .275 X 40 Flat SS	1	
36	8090047	Nut, Cap- 0.25-20 High Profile S/S	1	
37	1065957SP	Basket Lift Harness	1	

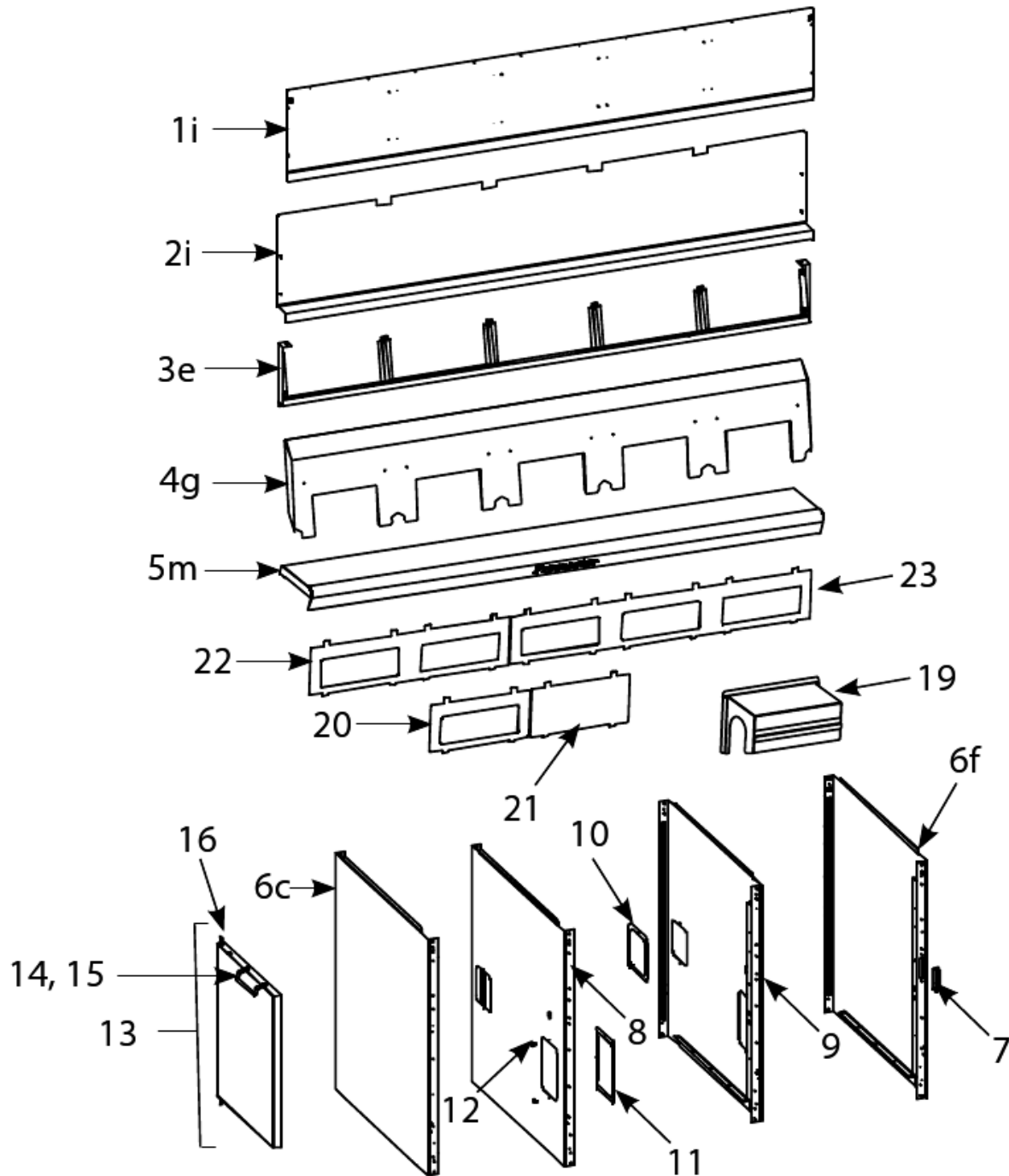
**PART NOTES:**

[1] - includes rod and wire bundle

Basket Lift Assembly and Associated Parts

# Re Series Marine E4 Electric Fryers

Cabinetry - Back Panels Control Panel Frames, Doors, Sides, Tilt Housings, and Top



Cabinetry - Back Panels Control Panel Frames, Doors, Sides, Tilt Housings, and Top Caps

# Re Series Marine E4 Electric Fryers

## Cabinetry - Back Panels Control Panel Frames, Doors, Sides, Tilt Housings, and Top

#	PART #	DESCRIPTION	QTY	Note
1	2200421	Back Panel, Upper, Single Station Fryer CRS	1	
1a	2300422	Back Panel, Upper, Single Station Fryer CRS(for Stainless Steel)	1	
1b	2201973	Back Panel, Upper, Fryer 0.5 Station Fryer CRS	1	
1c	2200419	Back Panel, Upper, Two Station Fryer CRS	1	
1d	2300420	Back Panel, Upper, Two Station Fryer CRS (for Stainless Steel)	1	
1e	2200423	Back Panel, Upper, Three Station Fryer CRS	1	
1f	2300424	Back Panel, Upper, Three Station Fryer CRS (for Stainless Steel)	1	
1g	2200425	Back Panel, Upper, Four Station Fryer CRS	1	
1h	2300546	Back Panel, Upper - Four Station Fryer	1	
1i	2200611	Back Panel, Upper, Five Station Fryer CRS	1	
1j	2300612	Back Panel, Upper, Five Station Fryer CRS (for Stainless Steel)	1	
2	2200501	Back Panel, Center Single Station Fryer CRS	1	
2a	2300502	Back Panel, Center Single Station Fryer CRS (for Stainless Steel)	1	
2b	2201977	Back Panel, Center Fryer 0.5 Station Fryer CRS	1	
2c	2200487	Back Panel, Center Two Station Fryer CRS	1	
2d	2300490	Back Panel, Center Two Station Fryer CRS (for Stainless Steel)	1	
2e	2200491	Back Panel, Center Three Station Fryer CRS	1	
2f	2300492	Back Panel, Center Three Station Fryer CRS (for Stainless Steel)	1	
2g	2200499	Back Panel, Center Four Station Fryer CRS	1	
2h	2300500	Back Panel, Center - Four Station Fryer	1	
2i	2200616	Back Panel, Center Five Station Fryer CRS	1	
2j	2300617	Back Panel, Center Five Station Fryer CRS (for Stainless Steel)	1	
3	1065016	Frame, Control Panel - Single	1	
3a	1066846	Frame, Control Panel, Fryer 0.5 Station Fryer	1	
3b	1065221	Frame, Control Panel - Two Station Fryer	1	
3c	1065018	Frame, Control Panel - Three Station Fryer	1	
3d	1065019	Frame, Control Panel, Four Station Fryer	1	
3e	1065020	Frame, Control Panel, Five Station Fryer	1	
4	8235494	Tilt Housing, Single Station	1	
4a	8235999	Tilt Housing, Fryer 0.5 Station LH 0.5 fryer	1	
4b	8235965	Tilt Housing, Fryer 0.5 Station RH 0.5 fryer	1	
4c	8235497	Tilt Housing, Two Station	1	
4d	8235489	Tilt Housing, Three Station	1	
4e	8235575	Tilt Housing, Four Station	1	
4f	1067516	Tilt Housing, Four Station (for Cracker Barrel)	1	
4g	8235581	Tilt Housing, Five Station	1	
5	2601230SP	Top Cap - Single	1	
5a	8090079	Nutsert, 0.25" - 20	1	
5b	1067060	Top Cap, Fryer 0.5 Station LH 0.5 fryer	1	
5c	1066838	Top Cap, Fryer 0.5 Station RH 0.5 fryer	1	
5d	8090079	Nutsert, 0.25" - 20	1	

## Cabinetry - Back Panels Control Panel Frames, Doors, Sides, Tilt Housings, and Top Caps

## Re Series Marine E4 Electric Fryers

### Cabinetry - Back Panels Control Panel Frames, Doors, Sides, Tilt Housings, and Top

#	PART #	DESCRIPTION	QTY	Note
5e	1066838	Top Cap, Fryer 0.5 Station RH 0.5 fryer	1	
5f	8090079	Nutsert, 0.25" - 20	1	
5g	1065196	Top Cap - Two Station Fryer	1	
5h	8090079	Nutsert, 0.25" - 20	1	
5i	1065197	Top Cap - Three Station Fryer	1	
5j	8090079	Nutsert, 0.25" - 20	1	
5k	1065198	Top Cap, Four Station	1	
5l	8090079	Nutsert, 0.25" - 20	1	
5m	1065199	Top Cap, Five Station	1	
5n	8090079	Nutsert, 0.25" - 20	1	
6	2009614	Heat Shield - Single	1	
6a	2009610	Heat Shield - Two/Four Station Fryer	1	[1]
6b	2009611	Heat Shield - Three Station Fryer	1	[2]
6c	2310323SP	Side, Standard Cabinet Left SS	1	
6d	2210323SP	Side, Standard Cabinet Left SS - Enameled Steel	1	
6e	2311345	Side, Cabinet LH S/S (for Deep Cabinet)	1	
6f	2320323SP	Side, Standard Cabinet Right SS	1	
6g	2220323SP	Side, Standard Cabinet Right SS (for Enameled Steel)	1	
6h	2321345	Side, Cabinet RH S/S (for Deep Cabinet)	1	
7	8101105	Door Magnet - Vertical	1	
8	2310352	Side, Filter Ready Cabinet Left SS	1	
8a	2210352	Side, Filter Ready Cabinet Left SS (for Cold Rolled Steel)	1	
9	2320352	Side, Filter Ready Cabinet Right SS	1	
9a	2220352	Side, Filter Ready Cabinet Right SS (for Cold Rolled Steel)	1	
10	9100889	Cover, 4" x 4" S/S	1	
11	9100890	Cover, 4" x 6" S/S	1	
12	8090359	Screw, 8 x 0.25-inch Hex Washer Head	1	
13	1064397	Door - Left/Right	1	
13a	1066899	Door, Left or Right – Fryer 0.5	1	
14	8090266	Screw, 10 x 0.5-inch Phillips Head ZP	1	
15	2109739	Handle, Eurolook Door	1	
15a	2302088	Handle, Eurolook Door (for Fryer 0.5 handle)	1	
16	1064067SP	Door Pin Assembly	1	
17	8261343	Spring - Door Pin Hinge	1	
18	8090970	Retaining Ring	1	
19	8235440	Cove, Element Tilt Housing	1	
19a	8235726	Cove, Element Tilt Housing (for Fryer 0.5)	1	
20	2105046	Bezel - One-Controller	1	
20a	2301953	Bezel, One-Controller (for Fryer 0.5)	1	
21	2105623	Bezel, Insert for Remote Single-Controller	1	
22	2105819	Bezel - Two-Controller	1	
23	2106698	Bezel, Three-Controller	1	

**PART NOTES:**

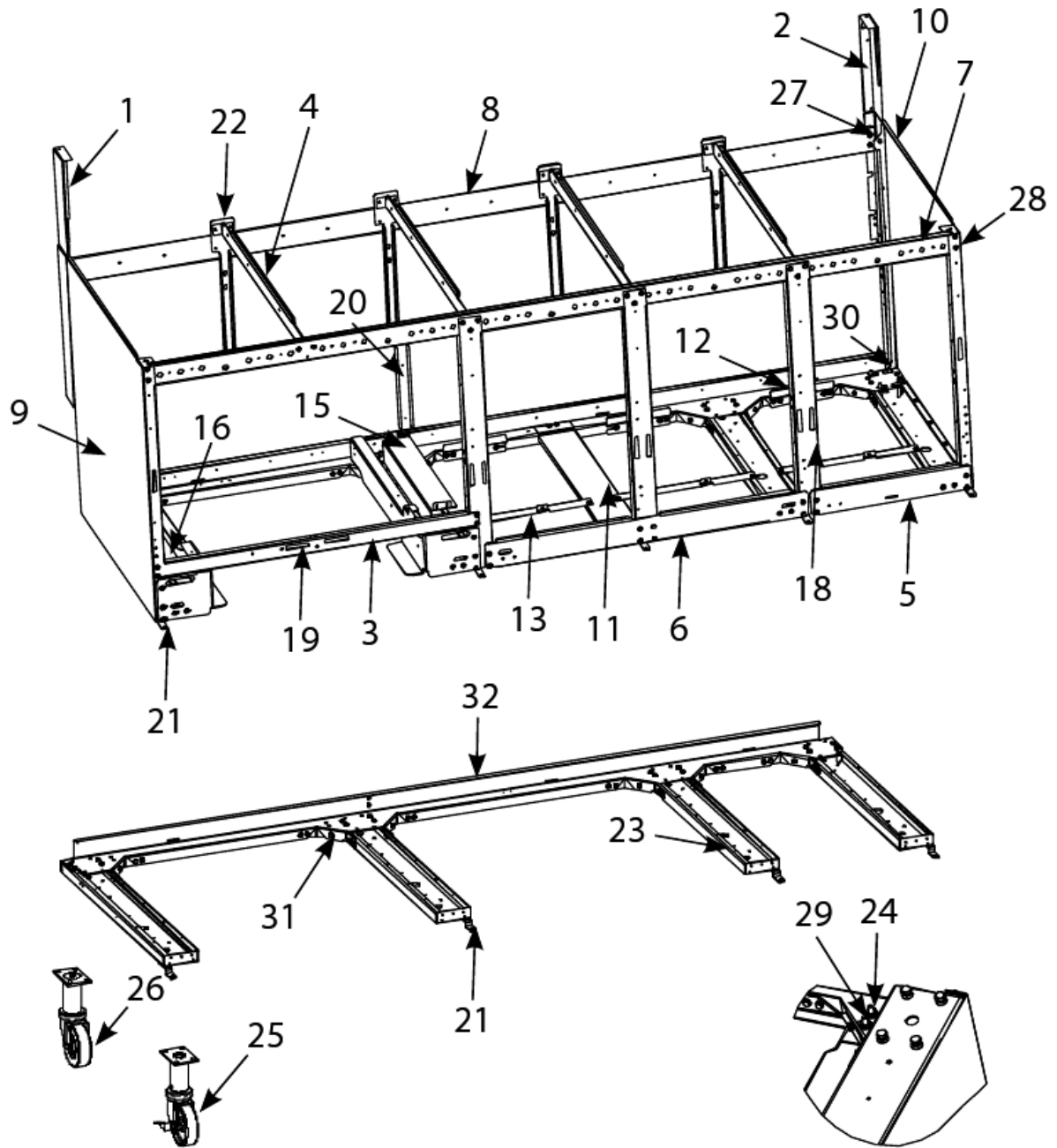
- [1] - Two are used on Four Station One used on Five Station
- [2] - One used on Five Station

---

### Cabinetry - Back Panels Control Panel Frames, Doors, Sides, Tilt Housings, and Top Caps

# Re Series Marine E4 Electric Fryers

## Cabinetry - Cabinets, Bases, Braces, and Associated Parts



Cabinetry - Cabinets, Bases, Braces, and Associated Parts



# Re Series Marine E4 Electric Fryers

## Cabinetry - Cabinets, Bases, Braces, and Associated Parts

#	PART #	DESCRIPTION	QTY	Note
1	1063828	Upright Assembly, Left	1	
2	1063829	Upright Assembly, Right	1	
3	2001651	Support, Cross Cabinet	1	
3a	2201742	Support, Cross Cabinet (for Fryer 0.5)	1	
4	2001659	Divider, Cabinet	1	
4a	2201348	Divider, Cabinet (for Deep Cabinet Divider)	1	
5	2002293-FRY	Brace, Lower Front	1	
6	2003774	Brace, Double Station Lower	1	
7	2007036	Brace, Front Horizontal, Single-Station Fryer	1	
7a	2200624	Brace, Front Horizontal, Single-Station Lower Brace	1	
7b	2201740	Brace, Front Horizontal, Fryer 0.5 Station Fryer	1	
7c	2007037	Brace, Front Horizontal, Two-Station Fryer	1	
7d	2007038	Brace, Front Horizontal, Three-Station Fryer	1	
7e	2007039	Brace, Front Horizontal, Four-Station Fryer	1	
7f	2007040	Brace, Front Horizontal, Five-Station Fryer	1	
8	2005356	Brace, Rear Horizontal, Single-Station Fryer	1	
8a	2201711	Brace, Rear Horizontal, Fryer 0.5 Station Fryer	1	
8b	2002284	Brace, Rear Horizontal, Two-Station Fryer	1	
8c	2002295	Brace, Rear Horizontal, Three-Station Fryer	1	
8d	2002725	Brace, Rear Horizontal, Four-Station Fryer	1	
8e	2003592	Brace, Rear Horizontal, Five-Station Fryer	1	
9	2310323SP	Side, Standard Cabinet Left SS	1	
9a	2210323SP	Side, Standard Cabinet Left SS - Enameled Steel	1	
9b	2311345	Side, Cabinet LH S/S (for Deep Cabinet)	1	
10	2320323SP	Side, Standard Cabinet Right SS	1	
10a	2220323SP	Side, Standard Cabinet Right SS (for Enameled Steel)	1	
10b	2321345	Side, Cabinet RH S/S (for Deep Cabinet)	1	
11	2201100	Corner Column Left - M,MS,MST	1	
12	2201095	Support, Rear Contactor Box	1	
13	2201093	Support, Front Contactor Box	1	
14	2201294	Brace, Contactor Box Single-Station Fryer Front	1	
15	2220610	Bracket, Right Hand Mounting	1	
15a	2221845	Bracket, RH Contactor Box Mount (for Fryer 0.5)	1	
16	2210610	Bracket, Left Hand Mounting	1	
16a	2211845	Bracket, LH Contactor Box Mount (for Fryer 0.5)	1	
16b	2201446	Bracket, Contactor Box Mount SCF Deep Cabinet	1	
17	2006498	Support, Contactor Box (Singles)	1	
18	2004424	Post, Door	1	
19	8102346	Door Magnet - Horizontal	1	
20	2004786	Support, Oil Return Manifold	1	
21	2106862	Hinge, Door	1	
22	8241393	Bracket, Rear Support	1	
22a	2412939	Fan Motor 208-230V/50-60 Hz	1	
23	8244557	Channel, Base Side	1	
23a	8235782	Channel, Base Side SCF Deep Cabinet	1	
23b	2210621	Channel, Base Left Side Single-Station Fryer	1	

---

## Cabinetry - Cabinets, Bases, Braces, and Associated Parts

# Re Series Marine E4 Electric Fryers

## Cabinetry - Cabinets, Bases, Braces, and Associated Parts

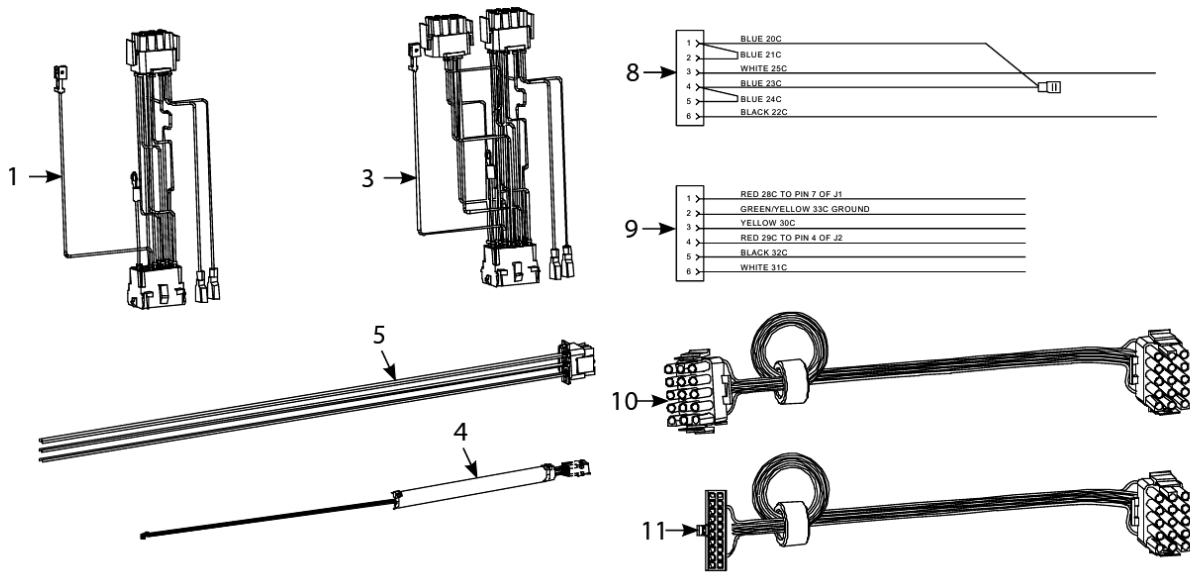
#	PART #	DESCRIPTION	QTY	Note
23c	2220621	Channel, Base Right Side Single-Station Fryer	1	
24	8261389	Screw - 0.25"-20 x 0.75" Hex Head ZP	1	
25	8102970	Caster with Brake	1	
26	8101494	Caster, 8.5-inch Swivel w/o Brake	1	
27	8261376	Nut - #10-32 Keps Hex	10	
28	8261374	Screw - #10 x 0.5" Hex Head	25	[1]
29	8261368	Nut - 0.25-20 Serrated Flange	1	
30	8090429	Bolt - 0.25"- 20 x 2.00" Hex Head ZP Tap	1	
31	2005417	Brace, Rear Channel Corner	1	
32	8235589	Channel, Base Rear, Single-Station Fryer	1	
32a	2201737	Channel, Base Rear, Single-Station Fryer Base (for Fryer 0.5)	1	
32b	8234558	Channel, Base Rear, Two-Station Fryer	1	
32c	8234560	Channel, Base Rear, Three-Station Fryer	1	
32d	8234561	Channel, Base Rear, Four-Station Fryer	1	
32e	8234562	Channel, Base Rear, Five-Station Fryer	1	
33	8101234	Leg, Stainless Steel 8.5-inch Adjustable	1	
34	8103010	Leg, Single Fryer Single-Station Fryer	1	

### PART NOTES:

[1] - primary cabinet screw

# Re Series Marine E4 Electric Fryers

## Component Box, Filter Pump and Basket Lift Wiring Harnesses



Component Box, Filter Pump and Basket Lift Wiring Harnesses

# Re Series Marine E4 Electric Fryers

## Component Box, Filter Pump and Basket Lift Wiring Harnesses

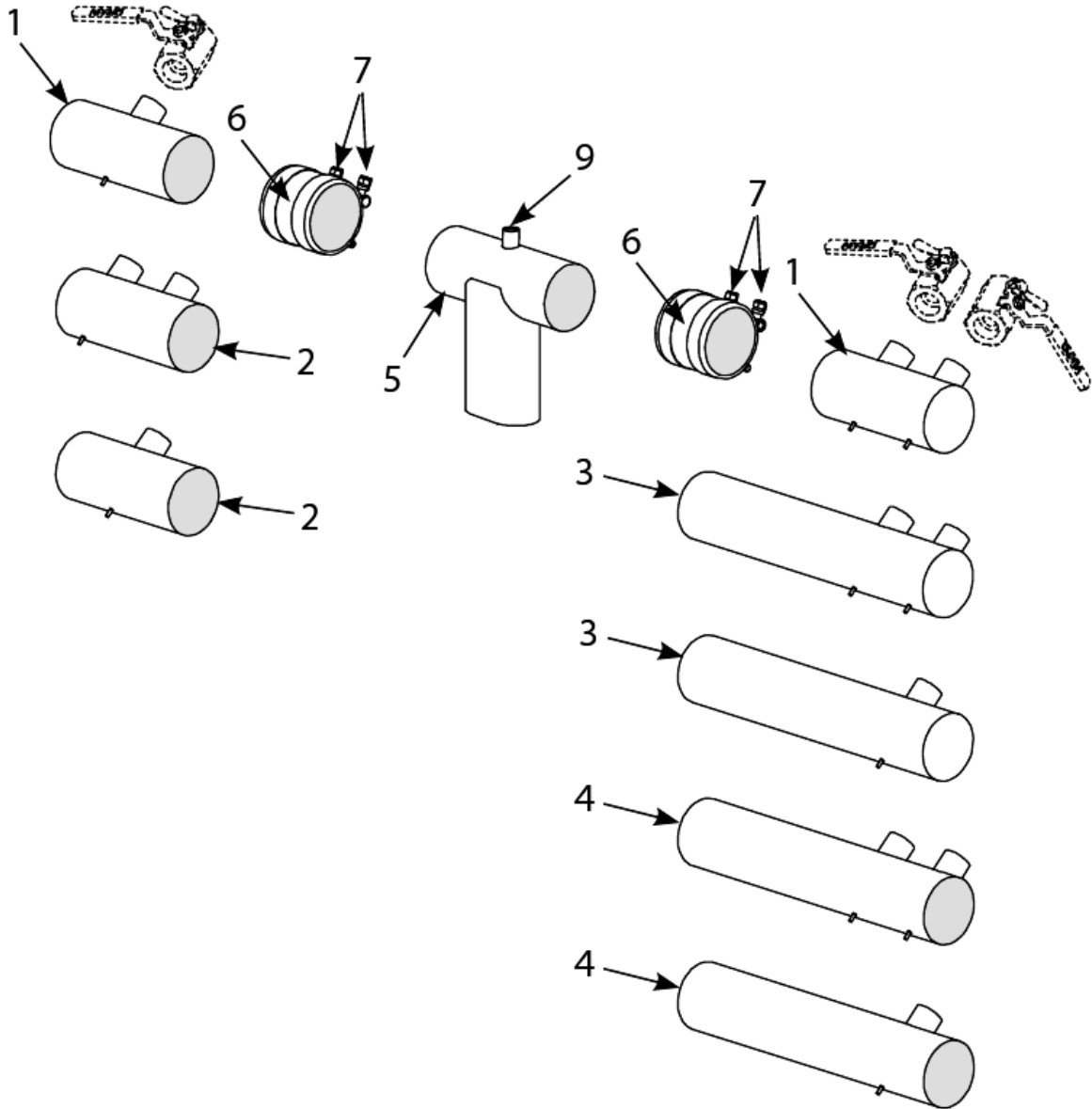
#	PART #	DESCRIPTION	QTY	Note
1	1065750SP	Full Vat Control Harness J4 to J2	1	
2	1066639SP	Harness Assembly, FV Control	1	
3	1065751SP	Dual Vat Control Harness J4 to J1 and J2	1	
4	1066644SP	Dual Vat Control Harness J4 to J1 and J2 (EPRI)	1	
5	1065935SP	Component Box to Filter Pump Harness	1	
6	1065957SP	Basket Lift Harness	1	
7	1066640	Harness Assembly, Basket Lift	1	
8	1065935SP	Component Box to Filter Pump Harness	1	
9	1065957SP	Basket Lift Harness	1	
10	8062071	Cable, Computer/Controller to Interface Board	1	
11	8074199	Cable, 20-pin Controller to 15-pin Interface Board – SMT for fryer's with CM 3.5 controller.	1	

---

Component Box, Filter Pump and Basket Lift Wiring Harnesses

# Re Series Marine E4 Electric Fryers

## Drain Tube Sections and Associated Parts



Drain Tube Sections and Associated Parts

# Re Series Marine E4 Electric Fryers

## Drain Tube Sections and Associated Parts

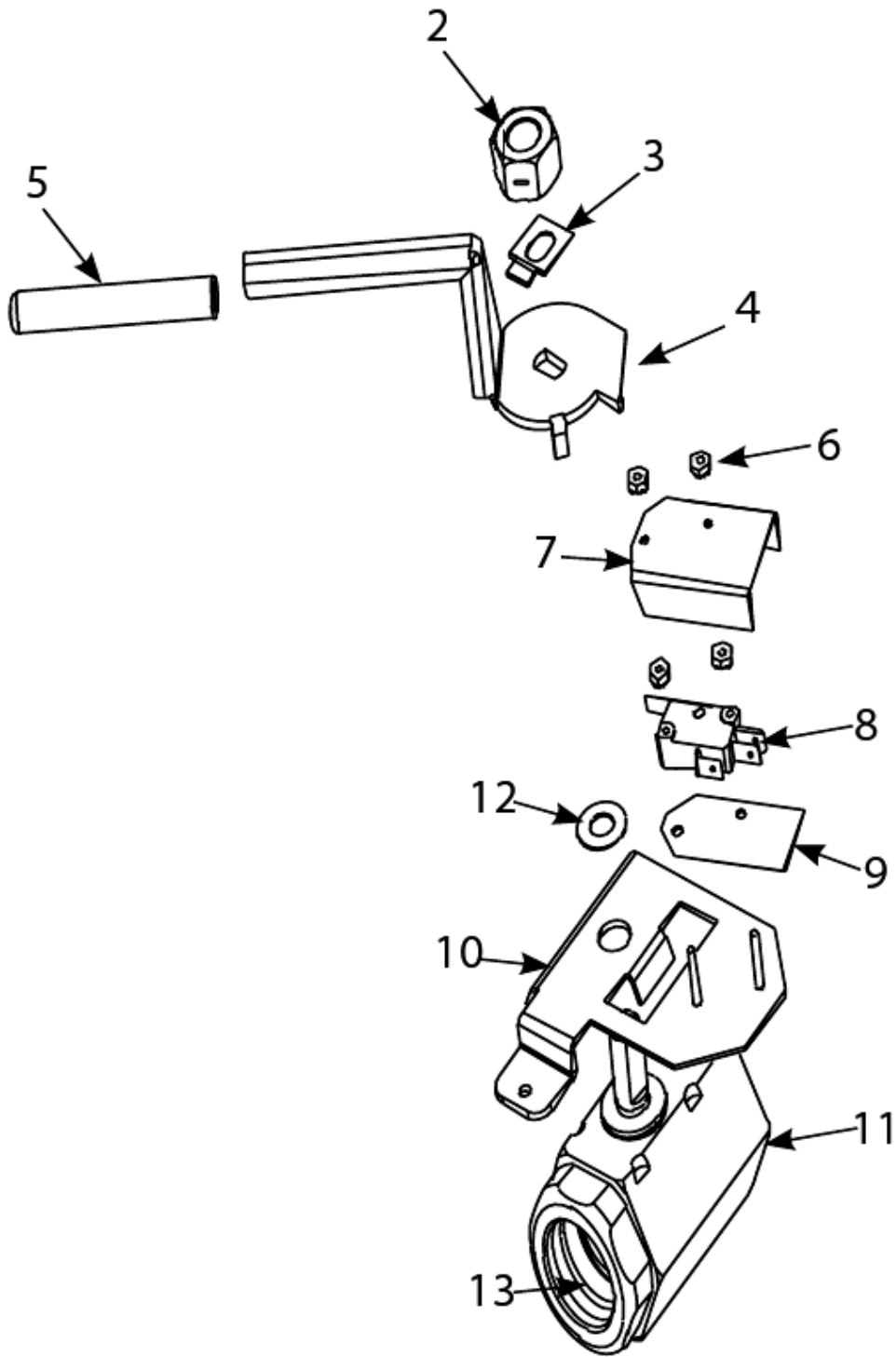
#	PART #	DESCRIPTION	QTY	Note
1	8234625	Drain Tube, Short Full-Vat Left Open/Right End Closed	1	
1a	8234624	Drain Tube, Left/Right End Short, Dual-Vat 3"	1	
1b	8235943	Drain Tube, Left/Right End Short, Fryer 0.5, RH 0.5 Fryer	1	
1c	8236003	Drain Tube, Left/Right End Short, Fryer 0.5, LH 0.5 Fryer	1	
2	8234643	Drain Tube, Full-Vat, Short, Open Both Ends	1	
2a	8234642	Drain Tube, Left/Right Open Short, Dual-Vat 3"	1	
3	8234639	Drain Tube, Long Full-Vat Left Open/Right End Closed	1	
3a	8234638	Drain Tube, Right End Long, Dual-Vat 3"	1	
4	8234641	Drain Tube, Long Full-Vat Open Both Ends	1	
4a	8234640	Drain Tube, Left/Right Open Long, Dual-Vat 3"	1	
5	8235944	Drain Outlet Center Dump, Fryer 0.5, RH 0.5 Fryer	1	
5a	8236004	Drain Outlet Center Dump, Fryer 0.5, LH 0.5 Fryer	1	
6	8160729	Sleeve, Drain Connector	1	
7	8090969	Clamp 3"	1	
8	8160630	Cap, Vinyl Black	1	
9	8102492	Fitting, Quick-Connect Straight	1	[1]
10	KIT6033	Kit, Round Drain Clamp	1	[2]
11	8111071	Tube, 0.25-inch OD Teflon Manifold Vent	1	[3]

### PART NOTES:

- [1] - receives Teflon vent tube
- [2] - includes sleeve, clamp and cap
- [3] - sold by the foot

# Re Series Marine E4 Electric Fryers

## Drain Valves and Associated Parts (Units with Built-In Filtration)\_1



Drain Valves and Associated Parts (Units with Built-In Filtration)\_1

# Re Series Marine E4 Electric Fryers

## Drain Valves and Associated Parts (Units with Built-In Filtration)\_1

#	PART #	DESCRIPTION	QTY	Note
1	1066300SP	Single Footprint Full-Vat Drain Valve Assembly	1	
2	8090540	Nut, Lock 0.5-inch-13 Hex 2-Way ZP	1	
3	9002936	Retainer Nut (FV)	1	
4	8241602	Handle, Valve, Full-vat	1	
5	8160639	Cap, Vinyl Red	1	
6	8261366	Nut - #4-40 Keps Hex	1	
7	9012348	Cover, Dual-Vat Left Drain Safety Switch	1	
8	8072103	Microswitch	1	
9	8160220	Insulation, Microswitch	1	
10	1065391	Bracket Assembly, Full-Vat Drain Safety Switch Single Footprint Only	1	
11	8101018	Drain Valve, 1.25", Left	1	
12	8101165	Washer, Teflon Drain Valve	1	
13	8160135	O-ring	1	

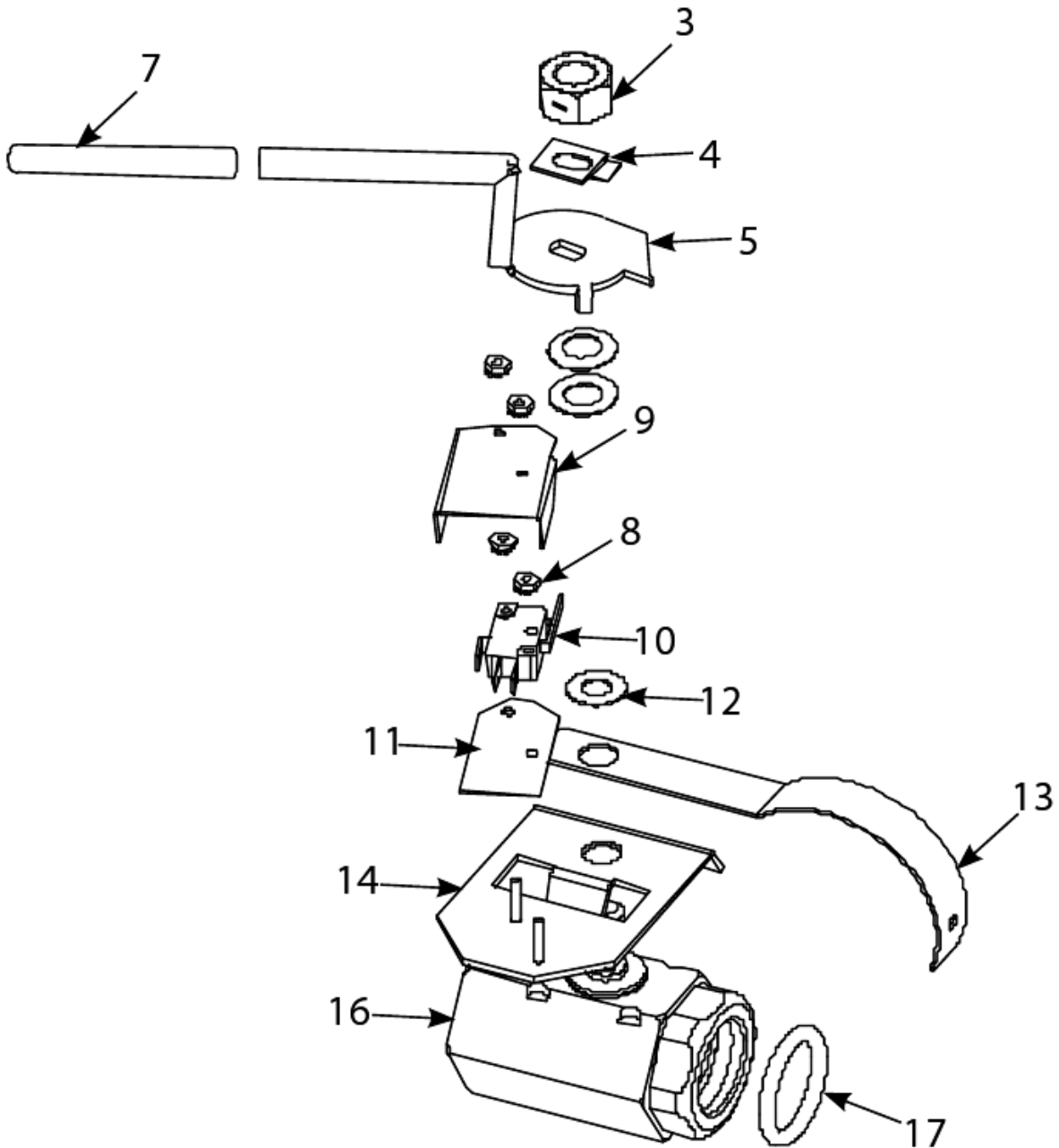
---

Drain Valves and Associated Parts (Units with Built-In Filtration)\_1



# Re Series Marine E4 Electric Fryers

## Drain Valves and Associated Parts (Units with Built-In Filtration)\_2



Drain Valves and Associated Parts (Units with Built-In Filtration)\_2

# Re Series Marine E4 Electric Fryers

## Drain Valves and Associated Parts (Units with Built-In Filtration)\_2

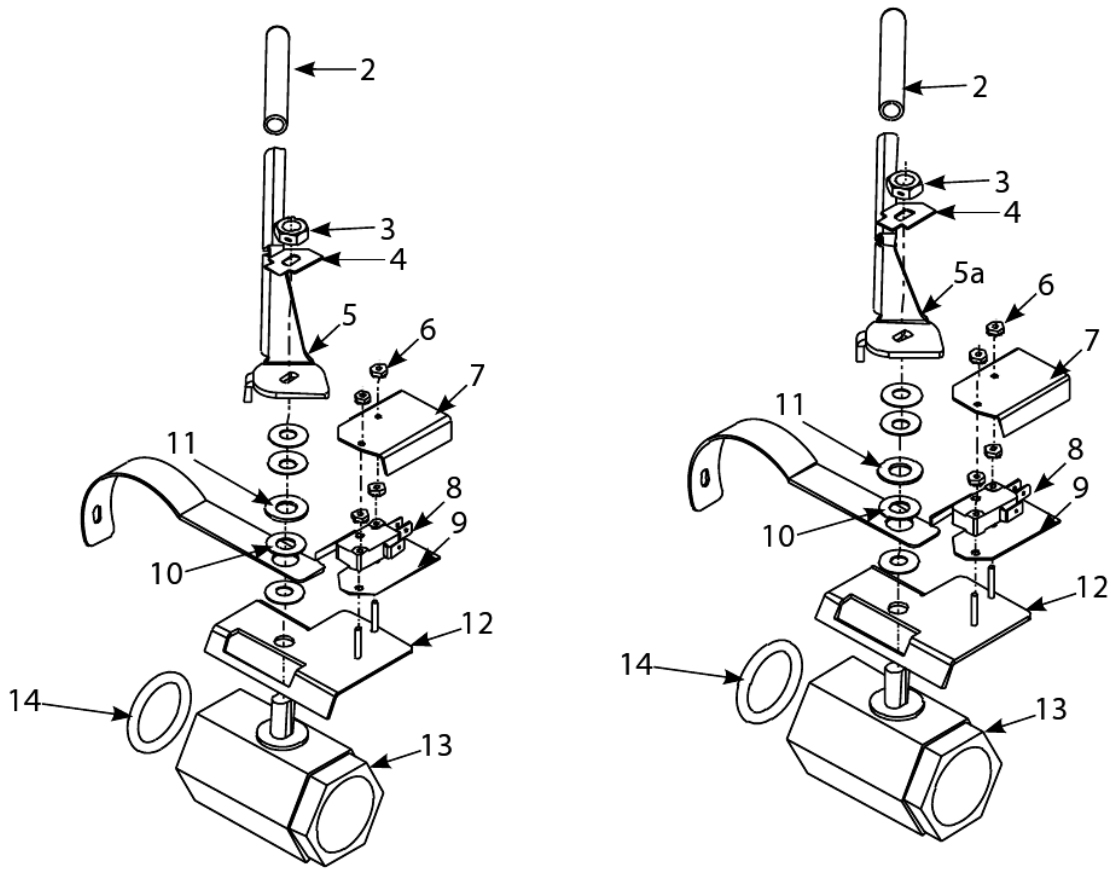
#	PART #	DESCRIPTION	QTY	Note
1	1063760SP	Full-Vat Drain Valve Assembly	1	
2	1067004	Full-Vat Drain Valve Assembly, Fryer 0.5	1	
3	8090540	Nut, Lock 0.5-inch-13 Hex 2-Way ZP	1	
4	9002936	Retainer Nut (FV)	1	
5	8241602	Handle, Valve, Full-vat	1	
6	8241740	Handle, Fryer 0.5 Half Vat	1	
7	8160639	Cap, Vinyl Red	1	
8	8261376	Nut - #10-32 Keps Hex	1	
9	9012348	Cover, Dual-Vat Left Drain Safety Switch	1	
10	8072103	Microswitch	1	
11	8160220	Insulation, Microswitch	1	
12	8101165	Washer, Teflon Drain Valve	1	
13	2006496	Support, Drain Tube	1	
14	8068137	Bracket Assembly, Full-Vat Drain Safety Switch	1	
15	1067005	Bracket Assembly, Fryer 0.5	1	
16	8101018	Drain Valve, 1.25", Left	1	
17	8160135	O-ring	1	

---

Drain Valves and Associated Parts (Units with Built-In Filtration)\_2

# Re Series Marine E4 Electric Fryers

## Drain Valves and Associated Parts (Units with Built-In Filtration)\_3



Drain Valves and Associated Parts (Units with Built-In Filtration)\_3

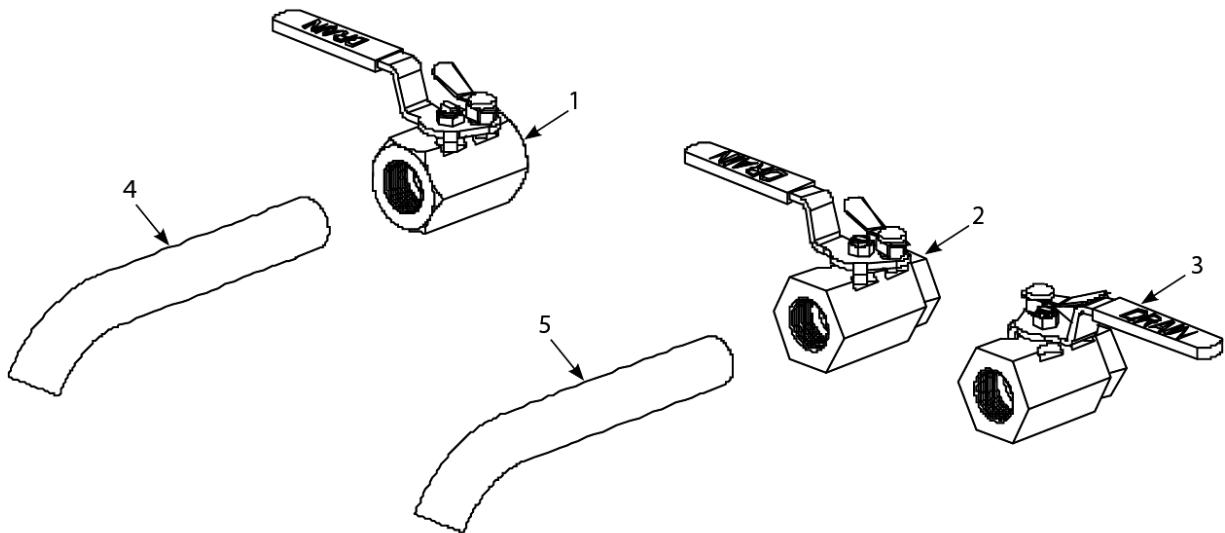
# Re Series Marine E4 Electric Fryers

## Drain Valves and Associated Parts (Units with Built-In Filtration)\_3

#	PART #	DESCRIPTION	QTY	Note
1	1065606SP	Valve Assembly, 1-inch Right Dual-Vat w/Filter Drain	1	
1a	1066302	Dual-Vat Drain Valve Right Assembly, Single FP	1	
1b	1065607SP	Valve Assembly, 1-inch Left Dual-Vat w/Filter Drain	1	
1c	1066301	Dual-Vat Drain Valve Left Assembly, Single FP	1	
2	8160639	Cap, Vinyl Red	1	
3	8090539	Nut, 0.375-16 2-Way Lock	1	
4	9002934	Retainer, Dual-Vat Drain Valve Nut	1	
5	8241636	Handle, Valve, Dual-vat, Right	1	
5a	8241637	Handle, Valve, Dual-vat, Left	1	
6	8261366	Nut - #4-40 Keps Hex	1	
7	9012348	Cover, Dual-Vat Left Drain Safety Switch	1	
8	8072103	Microswitch	1	
9	8160220	Insulation, Microswitch	1	
10	8101165	Washer, Teflon Drain Valve	1	
11	8090196	Washer, 0.375-inch SAE Flat	1	
12	1062671	Bracket Assembly, Dual-Vat Left Drain Safety Switch	1	
12a	1066304	Bracket Assembly, Dual-Vat Drain Safety Switch Single Footprint Only	1	
13	8101114	Drain Valves, Dual-vat, 1-inch Drain Valve	1	
14	8160135	O-ring	1	
15	8235592	Tube, Drain Single-Station Only with Filter	1	

# Re Series Marine E4 Electric Fryers

## Drain Valves and Associated Parts (Units without Built-In Filtration)



---

Drain Valves and Associated Parts (Units without Built-In Filtration)

# Re Series Marine E4 Electric Fryers

## Drain Valves and Associated Parts (Units without Built-In Filtration)

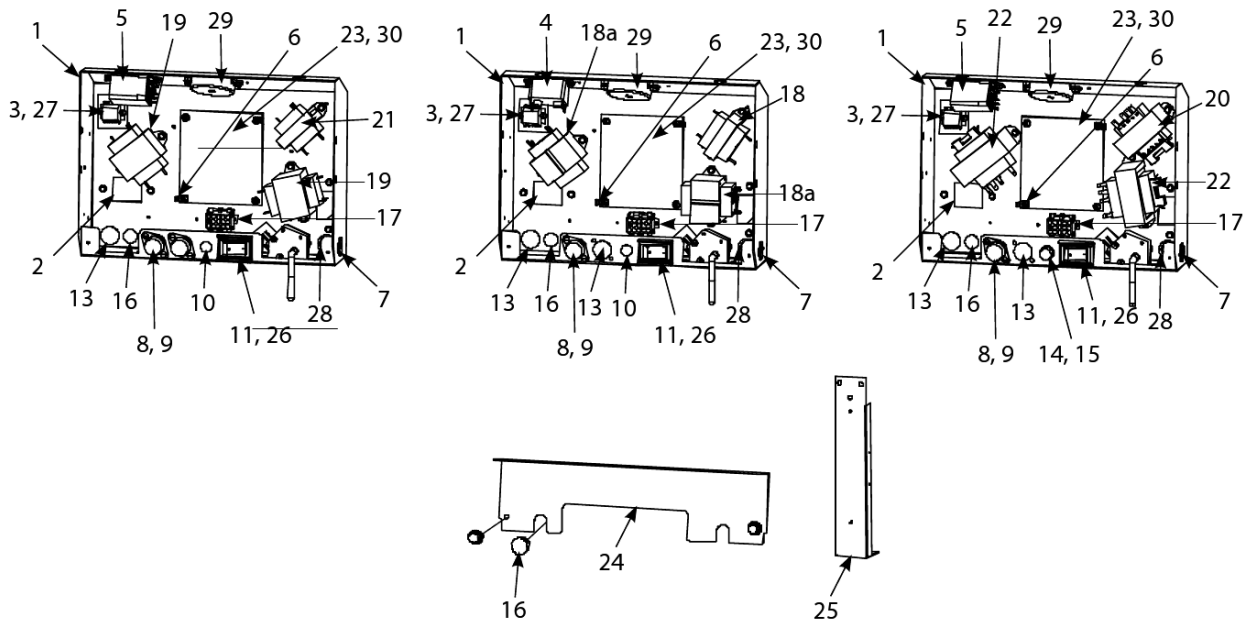
#	PART #	DESCRIPTION	QTY	Note
1	8101569	Valve, 1.25-inch, Non-filter, Full-vat Drain	1	
2	8067915SP	Valve, 1-inch, Non-filter, Dual-vat, Left Drain	1	
3	8067916SP	Valve, 1-inch, Non-filter, Dual-vat, Right Drain	1	
4	8130188	Drain Nipple, Extended	1	
5	8130276	Drain Extension, 1-inch, Dual-vat	1	

---

Drain Valves and Associated Parts (Units without Built-In Filtration)

# Re Series Marine E4 Electric Fryers

## Electronics and Wiring Components - Component Boxes



# Re Series Marine E4 Electric Fryers

## Electronics and Wiring Components - Component Boxes

#	PART #	DESCRIPTION	QTY	Note
1	1065592	Box Assembly, Component	1	
1a	1066747	Box Assembly, Component Fryer 0.5	1	
2	2003300	Bracket, Component Box Strain Relief	1	
3	8069495SP	Terminal Block and Wire Assembly	1	
4	8070012	Filter Relay - 18A 24VAC	1	[1]
5	8070670	Relay, 24V DPDT	1	[1]
6	8261337	Tab, 0.25-inch Terminal	1	
7	8070121	Bushing, Heyco SB-625-500	1	
8	8070922	Holder, Bus Fuse	1	
9	8072278	Fuse, 20 Amp	1	
10	8102446	Plug - 0.5" Heyco Double "D"	1	
11	8074036	Switch	1	[1]
12	8073575	Plug, Carling Switch Hole	1	[2]
13	8071947	Plug, .875	1	
14	8071321	Holder, Fuse	1	
15	8071597	Fuse - 3amp Slo-Blow	1	
15a	8071174	Fuse, 3 AMP, 250V, Slow-Blow	1	
16	8102445	Plug, Button .625 Heyco Double "D"	1	
17	1065750SP	Full Vat Control Harness J4 to J2	1	
17a	1065751SP	Dual Vat Control Harness J4 to J1 and J2	1	
18	8070855	Transformer - 120V/50-60 Hz - 12V 20VA	1	[1]
18a	8070800	Transformer, 100-120V/24V 50VA Filter and MIB	1	[1]
18b	8072181	Transformer, 100-120V/24V 62VA	1	[1]
19	8070680	Transformer, 208V, 50/60Hz -24V 20VA	1	[1]
20	8072191	Transformer - 208-240V -12V 30VA	1	[1]
21	8070979	Transformer, 208V/240V/12V	1	[1]
22	8072180	Transformer - 208-240V/24V 50A	1	[1]
22a	8074968	Transformer, 208-250V 75VA	1	[3]
22b	8074967	Transformer, 100-120V 75VA	1	[3]
22c	8073892	Transformer, 440/480 12/24V	1	[4]
23	8262260	Standard Interface Board	1	[1]
23a	8262261	EPRI, Interface Board	1	[1]
23b	8262262	Interface Board, Fast Computer, Full- or Dual-Vat	1	
23c	8073932	Relay, Heat/Latch 12VDC SPDT 12 Amp Sealed	1	[5]
23d	1066501	Interface Borad, Fallback Controller Assembly	1	
24	2200565	Guard, Finger Domestic and Non-CE	1	
24a	2201061	Guard, Finger Non-Domestic and CE	1	
25	2006654	Brace, Component Box	1	
26	2300834	Guard, RE Box Switch	1	
27	8160217	Insulation, Terminal Block Paper	1	
28	8100045	Bushing, .875 Dia. Hole 0.6875"	1	
29	8067179	Sound Device	1	[1]
29a	8103141	Sound Device, Universal SMT	1	
29b	8074330	Speaker Adapter Harness SMT	1	
30	8090349	Spacer, 4mm X 6mm Aluminum	1	
31	8262249	RE Hood/Ansul Interlock Kit	1	[6]

---

### Electronics and Wiring Components - Component Boxes



# Re Series Marine E4 Electric Fryers

## Electronics and Wiring Components - Component Boxes

#	PART #	DESCRIPTION	QTY	Note
---	--------	-------------	-----	------

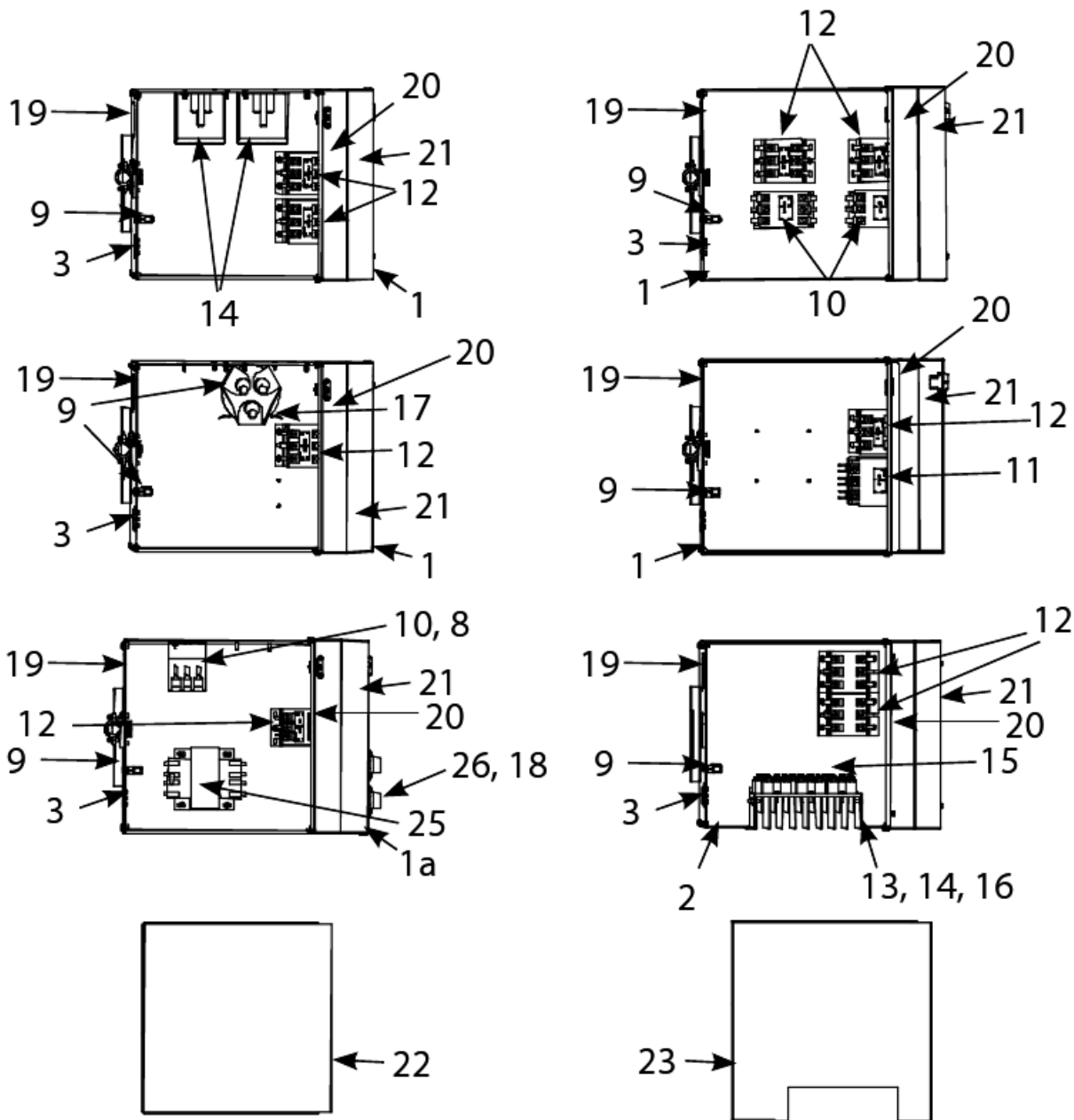
**PART NOTES:**

- [1] - Recommended Stock Part
- [2] - used on some models without a switch
- [3] - Used in DV component boxes
- [4] - used in non-filter fryers
- [5] - SMT relays aren't replaceable
- [6] - includes terminal block, wires, connectors

# Re Series Marine E4 Electric Fryers

## Electronics and Wiring Components - Contactor Boxes - Large Center

### Contactor Box Configurations (Non-Filter,



## Re Series Marine E4 Electric Fryers

### Electronics and Wiring Components - Contactor Boxes - Large Center Contactor Box Configurations (Non-

#	PART #	DESCRIPTION	QTY	Note
		Filter,		
1	1066081	Box Assembly, Contactor (Non-Filter or Not Over the Filter Pan)	1	
1a	1066255	Box, Large Contactor	1	
2	1066173	Box Assembly, Contactor EPRI	1	[1]
2a	1066244	Box Assembly, Contactor Single-Station Fryer Only	1	
3	8102554	Plug, Cord Cutout 1.125 Button	1	
4	8071947	Plug, .875	1	
5	2210482	Cover, Left Contactor Box	1	
6	2220482	Cover, Right Contactor Box	1	
7	8070070	Terminal, Ground Lug	1	
8	8071071	Contactor, Mercury 24 VAC 30 Amp	1	[2]
9	8070884	Contactor, Mercury- 240VAC 50-Amp	1	[2]
10	8072284	Contactor, 24V 50 Amp Mechanical	1	[2]
11	8072283	Contactor, 24V 63 Amp Mechanical	1	[2]
12	8101202	Contactor, 24V 40 Amp Mechanical	1	[2]
13	8068674	Heat Sink Assembly, Dual-vat Solid State Relay	1	
14	8068673	Heat Sink Assembly, Full-vat Solid State Relay	1	
15	8261562	Relay with Heat Sink - 280V/40A	1	[2]
16	8072749	Heat Sink - Solid State	1	
17	8070037	Terminal, 0.25-inch Push-on	1	
18	8072278	Fuse, 20 Amp	1	
19	8235729	Plate, Contactor Back Cordset	1	
20	2201087	Bracket, Box Connecting	1	
21	2201088	Cover, Contactor Box Front	1	
22	2201089	Cover, Large Top	1	
22a	2201175	Cover, Contactor Box Top Full Vat Single-Station Fryer Only	1	
22b	2201373	Cover, Contactor Box Top Dual Vat Single-Station Fryer Only	1	
23	2201152	Cover, Contactor Box Top EPRI (Non-Filter or Not Over the Filter Pan)	1	
24	1066204SP	Filter Assembly, EPRI	1	
25	8070064	Transformer, 480V/120V 150 VA	1	[2]
26	8070922	Holder, Bus Fuse	1	
27	8070012	Filter Relay - 18A 24VAC	1	

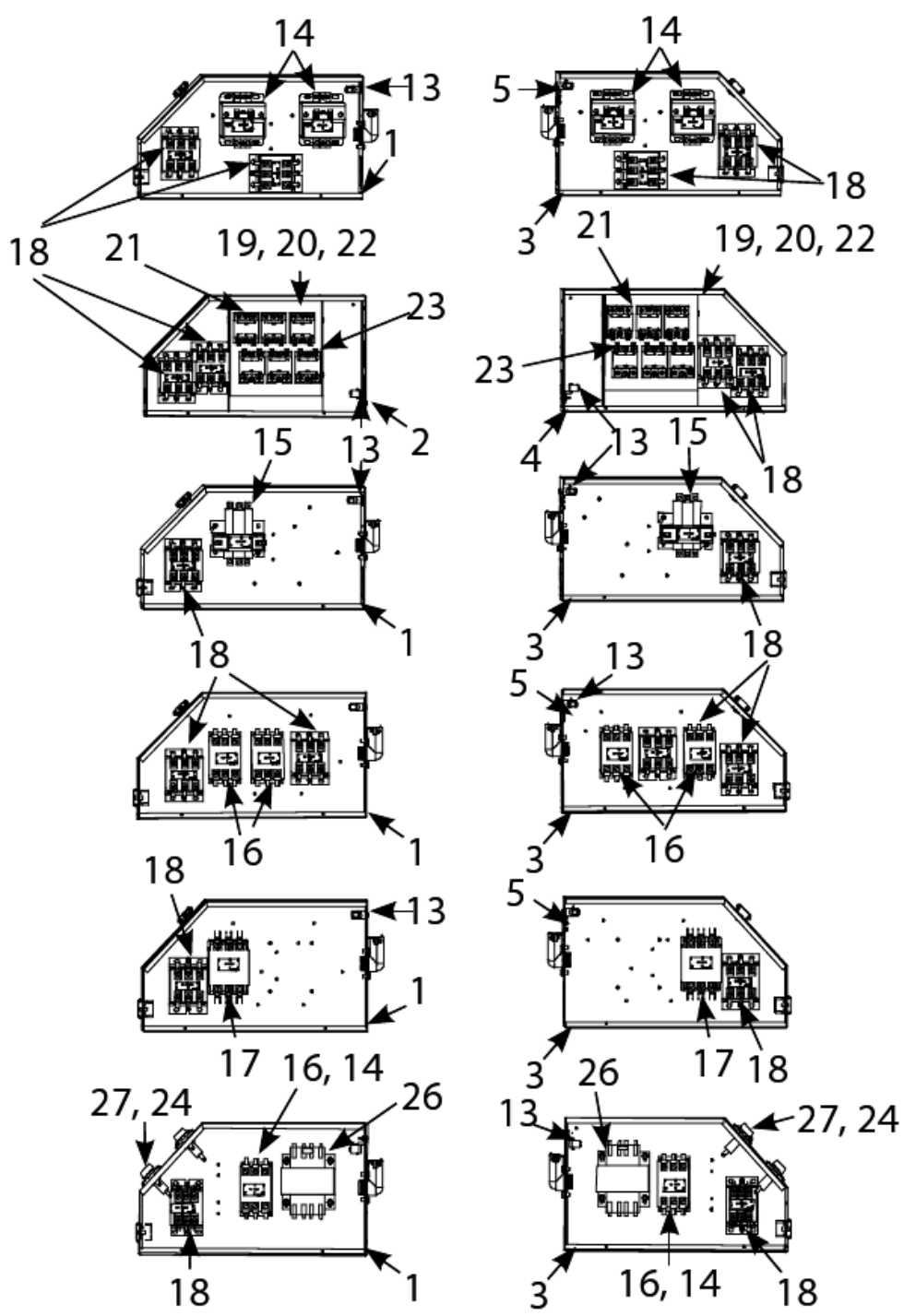
**PART NOTES:**

- [1] - Non-Filter or Not Over the Filter Pan
- [2] - Recommended Stock Part

# Re Series Marine E4 Electric Fryers

Electronics and Wiring Components - Contactor Boxes - Left and Right Over the Filter Pan

## Contactor



Electronics and Wiring Components - Contactor Boxes - Left and Right Over the Filter Pan Contactor Box

# Re Series Marine E4 Electric Fryers

## Electronics and Wiring Components - Contactor Boxes - Left and Right Over the Filter Pan

### Contactor

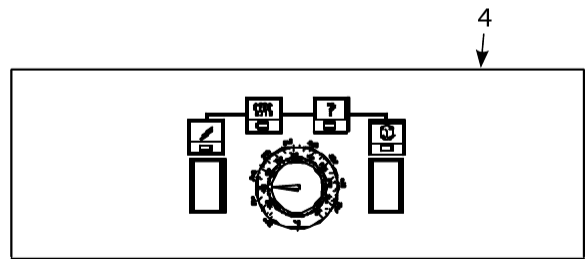
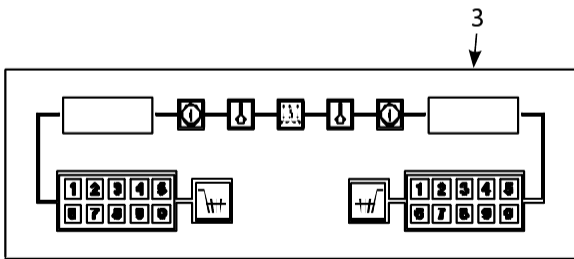
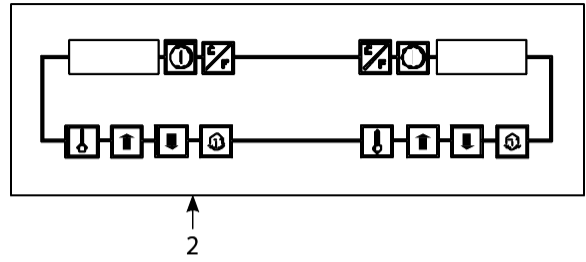
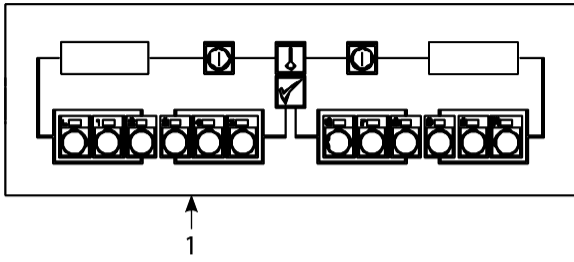
#	PART #	DESCRIPTION	QTY	Note
1	1065488	Box Assembly, Left Contactor Standard	1	[1]
1a	1067066	Box Assembly, Left Contactor Fryer 0.5 Half Fryer on Left	1	
2	8235736	Box Assembly, Left Contactor EPRI	1	[1]
3	1065489	Box Assembly, Right Contactor Standard	1	[1]
3a	1066819	Box Assembly, Right Contactor Fryer 0.5 Half Fryer on Right	1	
4	8235748	Box Assembly, Right Contactor EPRI	1	[1]
5	8102554	Plug, Cord Cutout 1.125 Button	1	
6	8071947	Plug, .875	1	
7	8070064	Transformer, 480V/120V 150 VA	1	
8	8070922	Holder, Bus Fuse	1	
9	2210482	Cover, Left Contactor Box	1	
10	2222072	Cover, Left Hand Fryer 0.5 Half fryer on Left	1	
11	2220482	Cover, Right Contactor Box	1	
12	2201912	Cover, Right Hand Fryer 0.5 Half fryer on Right	1	
13	8070070	Terminal, Ground Lug	1	
14	8071071	Contactor, Mercury 24 VAC 30 Amp	1	[2]
15	8070884	Contactor, Mercury- 240VAC 50-Amp	1	[2]
16	8072284	Contactor, 24V 50 Amp Mechanical	1	[3]
17	8072283	Contactor, 24V 63 Amp Mechanical	1	[4]
18	8101202	Contactor, 24V 40 Amp Mechanical	1	[2]
19	8068674	Heat Sink Assembly, Dual-vat Solid State Relay	1	
20	8068673	Heat Sink Assembly, Full-vat Solid State Relay	1	
21	8261562	Relay with Heat Sink - 280V/40A	1	[2]
22	8072749	Heat Sink - Solid State	1	
23	8070037	Terminal, 0.25-inch Push-on	1	
24	8072278	Fuse, 20 Amp	1	
25	1066204SP	Filter Assembly, EPRI	1	[5]
26	8070922	Holder, Bus Fuse	1	
27	2210610	Bracket, Left Hand Mounting	1	
28	2220610	Bracket, Right Hand Mounting	1	
29	8070012	Filter Relay - 18A 24VAC	1	

#### PART NOTES:

- [1] - Over the Filter Pan
- [2] - Recommended Stock Part
- [3] - only in 14kW & 17kW units Recommended Stock Part
- [4] - only in 22kW units Recommended Stock Part
- [5] - used in CE WYE-configured EPRI units only

# Re Series Marine E4 Electric Fryers

## Electronics and Wiring Components - Controllers



# Re Series Marine E4 Electric Fryers

## Electronics and Wiring Components - Controllers

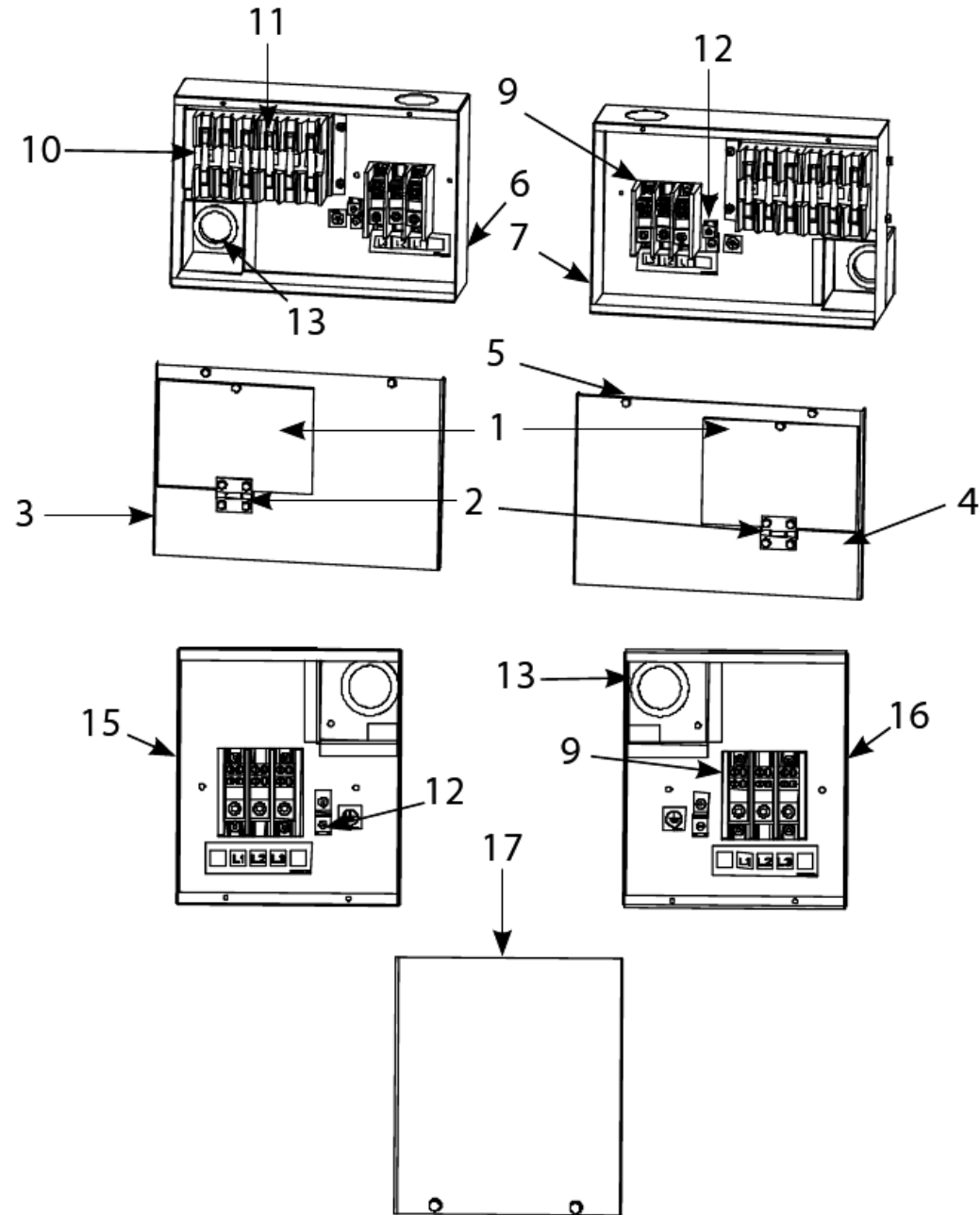
#	PART #	DESCRIPTION	QTY	Note
1	8262395	Computer Magic III.5, Full-Vat (CE)	1	[1]
1a	8262396	Computer Magic III.5, Dual-Vat (CE)	1	
1b	8262332	Computer Magic III.5, Full-Vat (Non-CE)	1	[1]
1c	8262405-FRY	Computer Magic III.5, Dual-Vat (Non-CE)	1	
1d	8262397	Computer Magic III.5, Full-Vat (EPRI/Solid State)	1	
1e	8262398	Computer Magic III.5, Dual-Vat (EPRI/Solid State)	1	
2	8262399	Digital Controller, Full-Vat (CE)	1	
2a	8262400	Digital Controller, Dual-Vat (CE)	1	
2b	8262329	Digital Controller, Full-Vat (Non-CE)	1	
2c	8262476	Digital Controller, Dual-Vat (Non-CE)	1	
3	8262330	Basket Lift Timer, Full-Vat (CE)	1	
3a	8262331	Basket Lift Timer, Dual-Vat (CE)	1	
3b	8262401	Basket Lift Timer, Full-Vat (Non-CE)	1	
3c	8262402	Basket Lift Timer, Dual-Vat (Non-CE)	1	
4	1067987SP	Solid-State (Analog) Controller, Full-Vat	1	
4a	1064334	Solid-State (Analog) Controller, Dual-Vat	1	
5	8022021	Graphic Sheet of Symbols	1	

### PART NOTES:

[1] - Recommended Stock Part

# Re Series Marine E4 Electric Fryers

## Electronics and Wiring Components - Fuse Boxes, Terminal Blocks





# Re Series Marine E4 Electric Fryers

## Electronics and Wiring Components - Fuse Boxes, Terminal Blocks

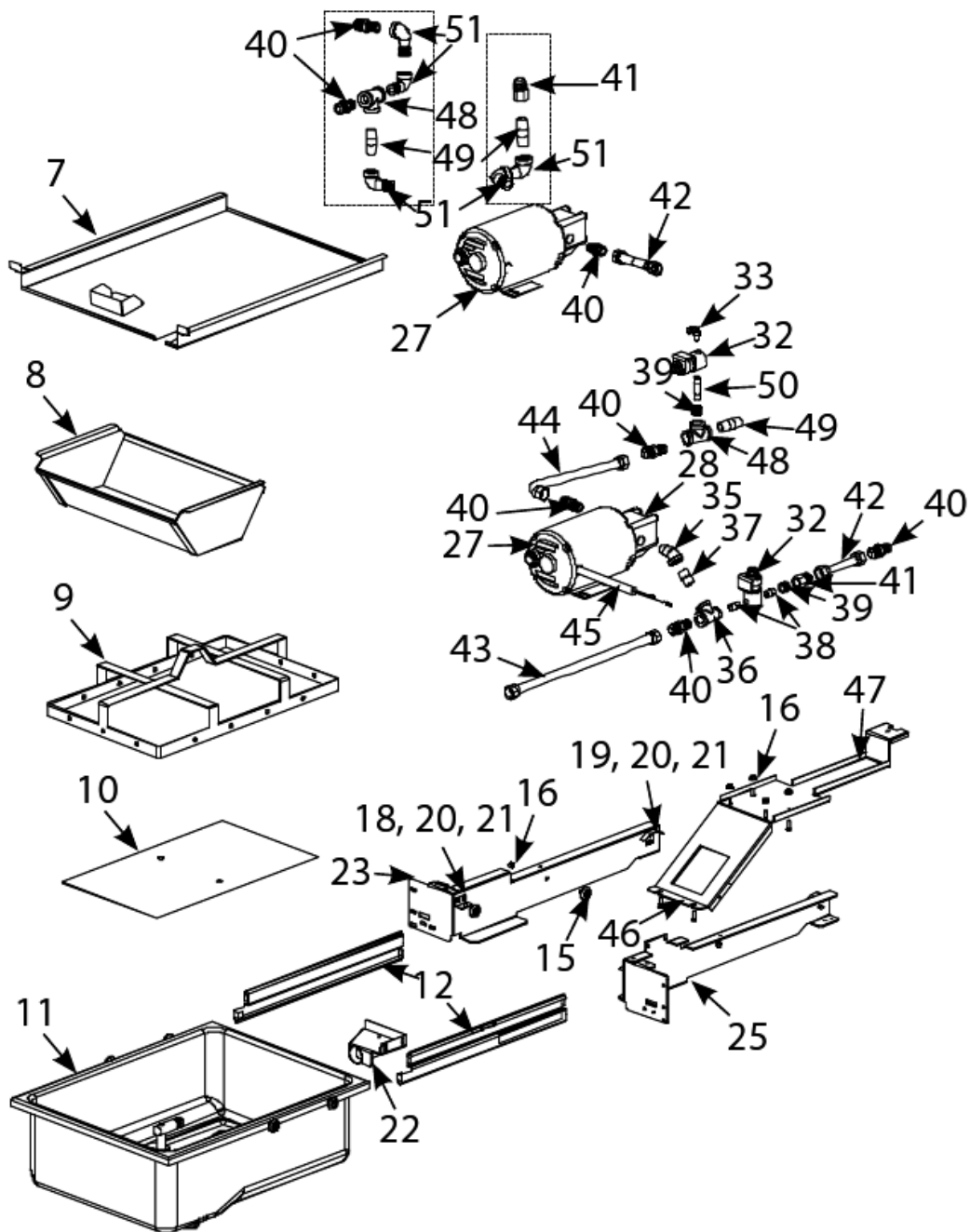
#	PART #	DESCRIPTION	QTY	Note
1	2002334	Door	1	
2	8100519	Hinge	1	
3	2210523	Cover, LH Fuse Box	1	
4	2220523	Cover, RH Fuse Box	1	[1]
5	8090475	Screw - #10-32 x 0.3125" Hex	1	
6	8235585	Box, LH Fuse	1	
7	8235557	Box, RH Fuse	1	
8	8235797	Box, Single Station Fryer Only	1	
9	8073970	Block, Terminal 3 pole 600V 175A	1	
10	8070501	Fuseholder block	1	
11	8072240	Fuse, 60 AMP 300VAC	1	
12	8070070	Terminal, Ground Lug	1	
13	8070128	Bushing, Insulating Heyco	1	
14	1065817	Left Hand Terminal Block	1	
14a	1065822	Right Hand Terminal Block	1	
15	8235631	Box, LH Rear Terminal Block	1	
16	8235632	Box, RH Rear Terminal Block	1	
17	2200801	Cover, Rear Terminal Block Box	1	

### PART NOTES:

[1] - Used on Single Station Fryers also

# Re Series Marine E4 Electric Fryers

## Filtration System Components



# Re Series Marine E4 Electric Fryers

## Filtration System Components

#	PART #	DESCRIPTION	QTY	Note
1	8261979	Filter Pan Roller Kit	1	[1]
2	8261980	Service Filter Pan	1	
3	8261981	Service Filter Pan Assembly	1	[2]
4	8130568	Plug, 0.125" SS NPT, Sq-Head	1	
5	1065911SP	Heater Strip Assembly, 100-120V 25W 18"	1	
6	8071098	Heater Strip Assembly, 240V, 25W 18"	1	
7	8234787	Lid	1	
7a	1066243	Lid, Single	1	
7b	1066310	Lid, Single-Station Fryer Only Dual Vat Filter Pan	1	
7c	1066461	Lid, RE SCF Deep Cabinet Filter Pan	1	
7d	1066735	Lid, Fryer 0.5 Filter Pan	1	
8	8102874	Crumb Tray, Standard Size Filter Pan 3, 4 and 5 Vat	1	
8a	8241707	Crumb Tray	1	
8b	8235812	Crumb Tray, RE SCF Deep Cabinet	1	
8c	8241734	Crumb Tray, Fryer 0.5	1	
9	8102910	Hold Down Ring	1	
9a	8104439	Hold Down Ring - Paper	1	
9b	8235811	Hold-Down Ring for Pad 15.75x 20.02 SCF Deep Cabinet	1	
9c	8235934	Hold-Down Ring for Paper 8.98 x 21.04 Fryer 0.5	1	
10	8122024	SanaGrid Filter Screen, Standard Size Filter Pan	1	
10a	2201316	Sana Grid Filter Screen	1	
10b	2201461	SanaGrid Filter Screen, SCF Deep Cabinet	1	
10c	2201795	SanaGrid Filter Screen, Fryer 0.5	1	
11	1081204SP	Pan, One-Piece Filter	1	[3]
11a	8235594	Pan, Filter	1	
11b	8235933	Pan, One-Piece Filter Fryer 0.5	1	
11c	8235798	Pan, Filter RE SCF Deep Cabinet	1	
11d	8102805	Caster - 2"	1	
11e	8102807	Caster - 2" Rigid	1	
11f	8261392	O-Ring	5	[4]
12	8262603	Rail Set, Filter Pan Rail	1	[5]
13	2301381	Slide, Filter Pan SCF Deep Cabinet	1	
14	8261979	Filter Pan Roller Kit	1	[6]
15	8102198	Roller, Filter Pan and Rail	1	
16	8261372	Nut Grip 0.25-inch 0.25-20 Hex NP	10	
17	8090191	Washer, Lock 0.25 Spring ZP	1	
18	8234675	Bracket, Lid Support	1	
19	2003556	Guide, Filter Pan Lid	1	
19a	2006709	Toggle Switch	1	
20	8090503	Screw - #8-32 x 0.5" Slotted Truss Head	1	
21	8090247	Nut - #8-32 Keps Hex	1	
22	8233879	Suction Tube	1	
22a	8235591	Suction Tube Assembly	1	
23	2004408	Rail, Left Filter	1	
24	1065981	Support, Assy. Left Filter Pan	1	
24a	2201378	Support, Left Filter Pan SCF Deep Cabinet	1	

### Filtration System Components

# Re Series Marine E4 Electric Fryers

## Filtration System Components

#	PART #	DESCRIPTION	QTY	Note
24b	2202069	Support, Left Filter Pan Fryer 0.5	1	
25	2004409	Rail, Right Filter	1	
26	1065982	Support, Assy. Right Filter Pan	1	
26a	2201379	Support, Right Filter Pan SCF Deep Cabinet	1	
26b	2202070	Support, Right Filter Pan Filter 0.5	1	
27	8261785	Motor and Gasket Kit - 100V/50-60 Hz	1	
27a	8261712	Motor and Gasket Kit - 115V/50-60 Hz	1	[4]
27b	8261756	Motor and Gasket Kit - 208V/50-60 Hz	1	[4]
27c	8261270	Motor and Gasket Kit - 220-240V/50-60 Hz	1	
27d	8261755	Motor and Gasket Kit - 250V/50-60 Hz	1	
28	8261264	Pump Kit - 4 GPM	1	[4]
29	8160093	Gasket - Pump/Motor	1	
30	80711973	Pump Seal Kit - Viking	1	
31	8263192	Pump Kit - 8 GPM	1	
32	8072484	Solenoid Valve - 0.25"	1	[4]
33	8102493	Elbow, 90° 0.125-inch NPT x 0.25-inch Quick Connect	1	
34	8111071	Tube, 0.25-inch OD Teflon Manifold Vent	1	[7]
35	8130342	Elbow, 0.5-inch 45° Street	1	
36	8130530	Tee, Reducing 0.5-inch x 0.25-inch x 0.5-inch	1	
37	8130022	Nipple, 0.5" Close NPT BM	1	
38	8130838	Nipple - 0.25" NPT	1	
39	8130304	Bushing, 0.5-inch NPT to 0.25-inch NPT Flush Reducing	1	
40	8101668	Male Adaptor - 0.625" OD x 0.5"	1	
41	8101669	Female Adaptor - 0.875" OD x 0.5"	1	
42	8101680	Flexline - 0.625" OD x 6.5" L	1	
43	8101057	Flexline - Oil Return - 13" L	1	
44	8101043	Flexline - Oil Return - 9.5" L	1	
45	1065910	Wiring Harness, Filter Pump, 115/120V Filter Harness	1	
45a	1065906SP	Wiring Harness - 208/230/240/250V Filter Pump	1	
46	8261375	Screw - #10-32 x 0.75" - Hex Trim Head SS	5	
47	2007112	Bridge, Filter Motor	1	
47a	8241705	Bridge Filter Motor Single Station Fryer Only	1	
47b	2201346	Bridge, Filter Motor SCF Deep Cabinet	1	
47c	2202080	Bridge, Filter Motor Fryer 0.5, Half Fryer LH side	1	
47d	2201837	Bridge, Filter Motor Fryer 0.5, Half Fryer RH side	1	
48	8130003-FRY	Tee - 0.5" NPT	1	
49	8130298	Nipple, 0.5" x 2.00" NPT BM Pipe	1	
50	8130537	Nipple - 0.25" x 2"	1	
51	8130165	Elbow - 0.5" x 90° NPT Street	1	

### PART NOTES:

- [1] - includes screws and rollers
- [2] - includes hold down ring
- [3] - includes crumb tray
- [4] - Recommended Stock Part
- [5] - includes one left and one right
- [6] - includes 4 rollers, 4 nuts and 4 lock washers Recommended Stock Part

## Filtration System Components



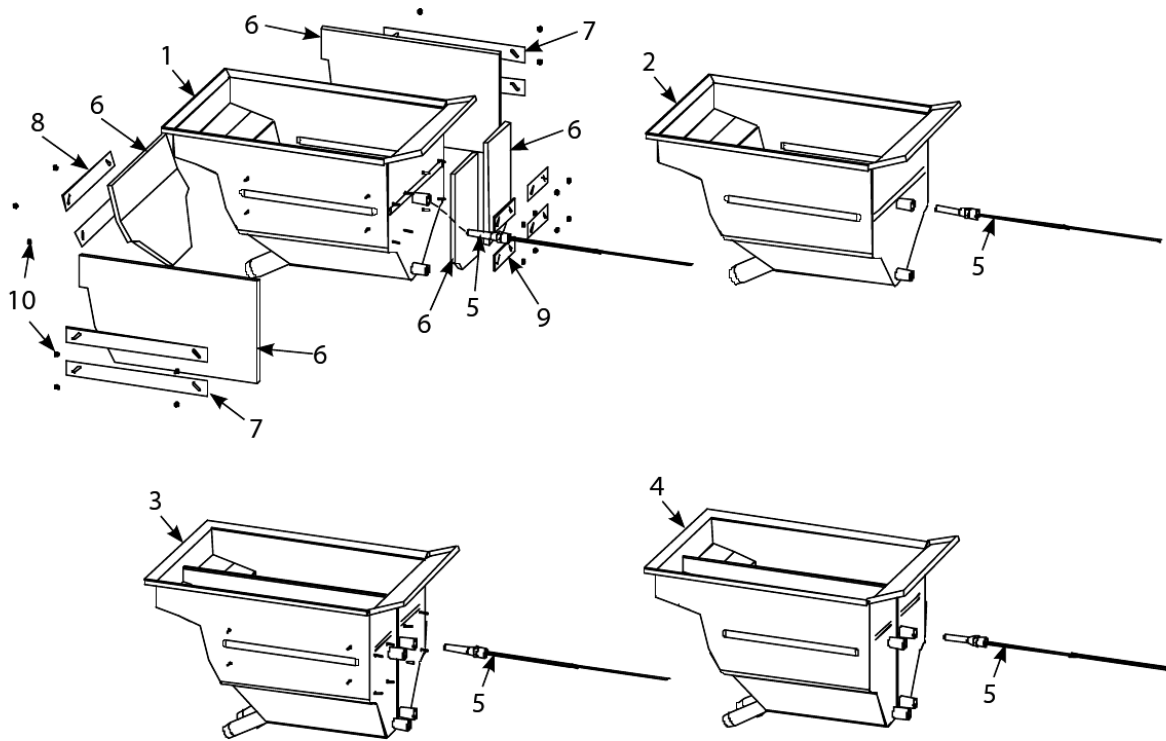
# Re Series Marine E4 Electric Fryers

## Filtration System Components

#	PART #	DESCRIPTION	QTY	Note
[7]	-	sold by the foot		

# Re Series Marine E4 Electric Fryers

## Frypot Assemblies and Associated Parts



# Re Series Marine E4 Electric Fryers

## Frypot Assemblies and Associated Parts

#	PART #	DESCRIPTION	QTY	Note
1	8235545SP	Frypot, Full-Vat Filter with Insulation (for use on EPRI units)	1	
2	8235359SP	Frypot	1	
2a	8235996	Frypot, Half-Vat Filter w/o Insulation LH (for use on Fryer 0.5 LH units)	1	
2b	8235723	Frypot, Half-Vat Filter w/o Insulation RH (for use on Fryer 0.5 RH units)	1	
2c	8235783	Frypot, Full-Vat Filter w/o Insulation Deep Cabinet (for use on Standard Deep units)	1	
3	8235551SP	Frypot, Dual-Vat Filter with Insulation (for use on EPRI units)	1	
4	8235482SP	Frypot, Dual-Vat Filter w/o Insulation (for use on Standard units)	1	
5a	8261177	Thermostat, High-Limit 425°F/218°C	1	[1]
5b	8262456	Thermostat Assembly - High-Limit - 435°F	1	
5c	8068035SP	High-limit Thermostat	1	
5d	8262455	Thermostat Assembly - High-Limit - 415°F	1	
5e	8262455	Thermostat Assembly - High-Limit - 415°F	1	
5f	8262457	Thermostat Assembly, High-Limit Long Standard, CE Full Vat 405°F	1	
6	8160773	Insulation - 0.5" x 10" x 20.5"	1	
7	9004100	Retainer, Insulation—Side	1	
8	9004101	Retainer, Insulation—Front	1	
9	9001345	Retainer, Rear Insulation	1	
10	8261376	Nut - #10-32 Keps Hex	10	

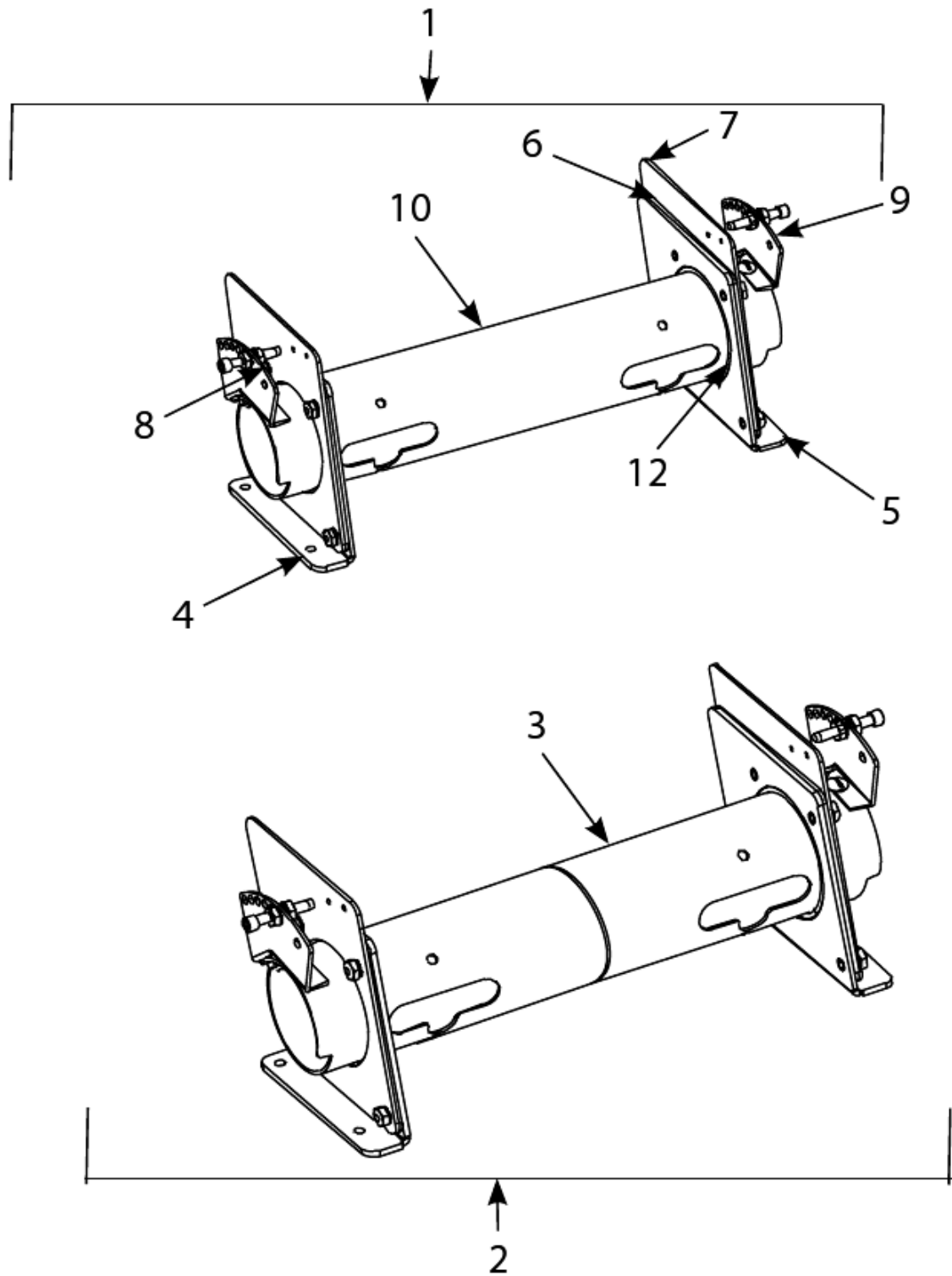
NOTE: The frypots for EPRI-equipped units are insulated; those for non-EPRI (standard) units are not. When replacing insulation or adding insulation to a bare frypot, the individual pieces (sides, front, and back) are cut to fit when installed. Each frypot requires four uncut pieces of insulation.

### PART NOTES:

[1] - Recommended Stock Part

# Re Series Marine E4 Electric Fryers

## Heating Element Assemblies and Associated Parts - Element Tube Assemblies



Heating Element Assemblies and Associated Parts - Element Tube Assemblies



# Re Series Marine E4 Electric Fryers

## Heating Element Assemblies and Associated Parts - Element Tube Assemblies

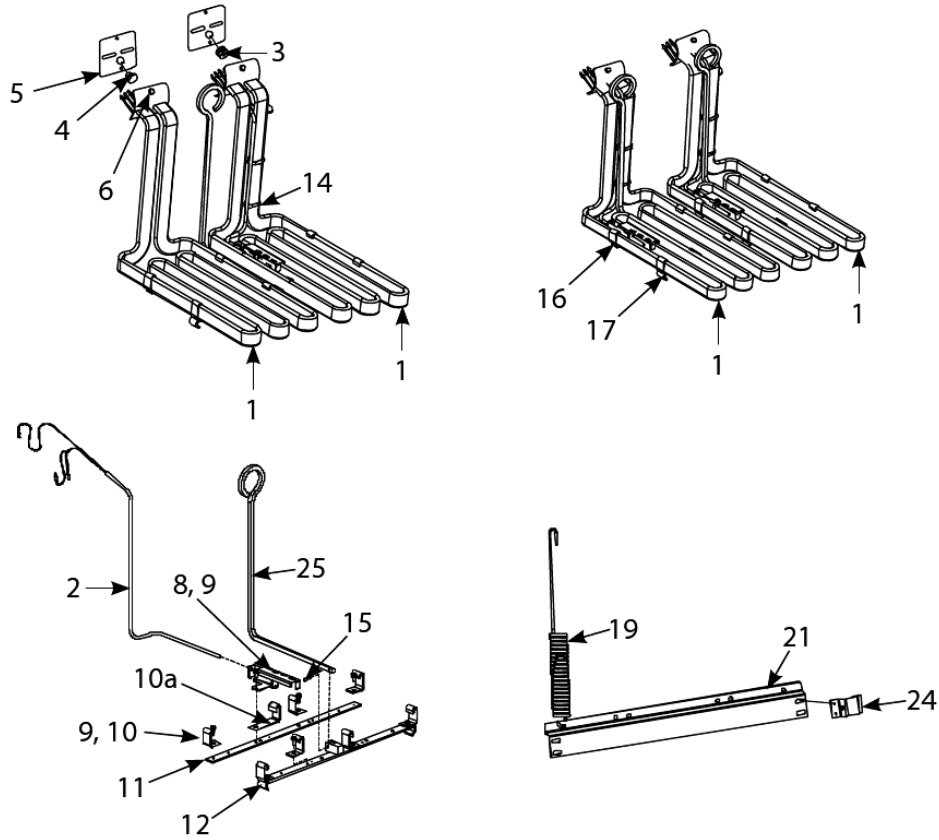
#	PART #	DESCRIPTION	QTY	Note
1	1067653SP	Tube Assembly Element, Full-Vat	1	
1a	1066736	Tube Assembly RE Element Fryer 0.5 LH Half Fryer	1	
1b	1066061	Tube Assembly RE Element Fryer 0.5 RH Half Fryer	1	
2	1067654SP	Tube Assembly RE Element, Dual-Vat	1	
3	8103246	Bushing and Tube Assembly, Dual-Vat	1	
4	1080315	Bracket Assembly, LH Element Tube Support	1	
5	1065330	Bracket Assembly, RH Element Tube Support	1	
6	2200122	Plate, Element Tube Support Inner	1	
7	2200123	Plate, Element Tube Support Outer	1	
8	1067651SP	Bracket Assembly, LH Upper Spring	1	
8a	1066569	Bracket Assembly, LH Upper Spring	1	
9	1067652SP	Bracket Assembly, RH Upper Spring	1	
9a	1066570	Bracket Assembly, RH Upper Spring	1	
10	8102992	Tube, Full Vat Element Mounting	1	
11	8103135	Tube, Fryer 0.5 LH Half Fryer	1	
11a	8103036	Tube, Fryer 0.5 RH Half Fryer	1	
12	8102993	Bushing, Tube End Teflon	1	
13	8090766	Nut, 10-32 Keps Hex SS	1	
14	1066587	Magnetic Position Sensor	1	
15	1066588	Magnetic Position Sensor Assembly with Bracket	1	
16	8103007	Magnet - Ring	1	
17	2300794	Bracket, Magnetic Position Sensor Wire	1	

---

Heating Element Assemblies and Associated Parts - Element Tube Assemblies

# Re Series Marine E4 Electric Fryers

## Heating Element Assemblies and Associated Parts - Hardware



Heating Element Assemblies and Associated Parts - Hardware

# Re Series Marine E4 Electric Fryers

## Heating Element Assemblies and Associated Parts - Hardware

#	PART #	DESCRIPTION	QTY	Note
1	8262198	Element Kits - 200V - 17.0 kW	1	[1]
1a	8262201	Element Kits - 200V - 18.5 kW	1	[2]
1b	8262208	Element Kits - 200V - 11.0 kW	1	[2]
1c	8262192	Element Kits - 208V - 17.0 kW	1	[3]
1d	8262197	Element Kits - 208V - 18.5 kW	1	[4]
1e	8262210	Element Kits - 208V - 11.0 kW	1	[2]
1f	8262200	Element Kits - 220V - 17.0 kW	1	[5]
1g	8262205	Element Kits - 220V - 11.0 kW	1	[2]
1h	8262193	Element Kits - 230V - 17.0 kW	1	[2]
1i	8262199	Element Kits - 230V - 18.5 kW	1	[2]
1j	8262206	Element Kits - 230V - 11.0 kW	1	[2]
1k	8262194	Element Kits - 240V - 17.0 kW	1	[2]
1l	8262207	Element Kits - 240V - 11.0 kW	1	[2]
1m	8262204	Element Kits - 400V - 8.5 kW	1	[2]
1n	8262195	Element Kits - 440V - 17.0 kW	1	[2]
1o	8262202	Element Kits - 440V - 18.5 kW	1	[2]
1p	8262211	Element Kits - 440V - 11.0 kW	1	[2]
1q	8262196	Element Kits - 480V - 17.0 kW	1	[2]
1r	8262203	Element Kits - 480V - 18.5 kW	1	[2]
1s	8262209	Element Kits - 480V - 11.0 kW	1	[2]
2	8262212	Temperature Probe Kit	1	[4]
2a	8074324	Probe, Temperature Fast Ready	1	
3	8160681	Grommet, Probe	1	
4	8160480	Plug, .375-inch Dome	1	
5	8160688	Gasket, Element	1	
6	8091003	Screw - #10-32 x 0.375" Hex Trim Head SS	1	
7	8090766	Nut, 10-32 Keps Hex SS	1	
8	2300784	Bracket - Temperature Probe 8.5/11 kW	1	
9	8090518	Screw, 8-32 x 0.375-inch Hex Washer Slotted Head SS	1	
10	9102042	Clamp, Element	1	[6]
10a	2300781	Key Operated Switch Ice With Keys	1	
11	2304902	Support, Full-Vat Element Rear	1	
12	2304101	Support, Full-Vat Element Front	1	
13	8235621	Support, Full-Vat Element Front	1	
14	8090567	Tie-Wrap - Metal	1	
15	8101212	Pin, .125 X .5-inch Split	1	
16	2304903	Support, Dual-Vat Element Rear Dual Vat	1	
17	2304103	Support, Dual-Vat Element Front Dual Vat 14kW	1	
18	8235627	Support, Dual-Vat Element Front Dual Vat 17kW	1	
19	8103030	Spring, Element Lift Left	1	
20	8103031	Spring, Element Lift Right	1	
21	2201190	Bracket, Lower Spring Single Foot Print	1	
22	2200464	Bracket, Lower Spring	1	
23	2201855	Bracket, Lower Spring Fryer 0.5	1	
24	2200733	Bracket, Lower Spring Mating	1	
25	8101233	Handle, Element Lift	1	

Heating Element Assemblies and Associated Parts - Hardware

# Re Series Marine E4 Electric Fryers

## Heating Element Assemblies and Associated Parts - Hardware

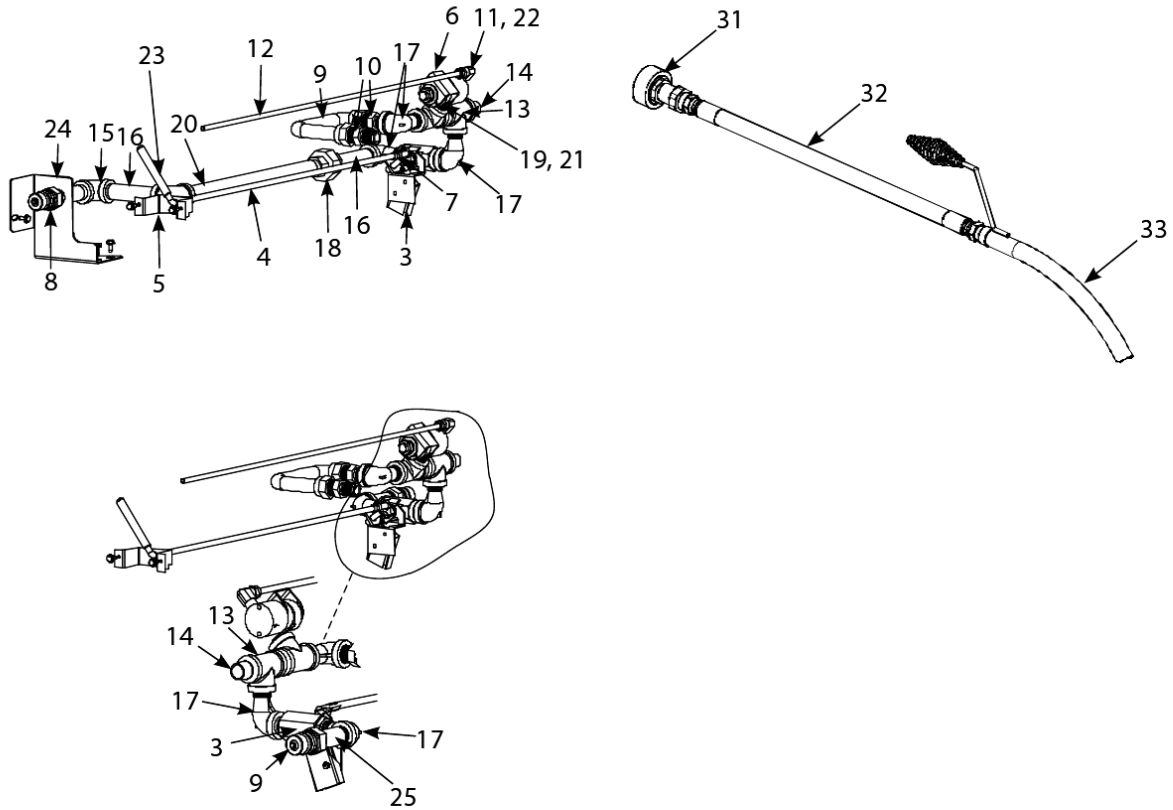
#	PART #	DESCRIPTION	QTY	Note
		The wire harnesses must be replaced when replacing 22kW elements on all fryers, except 440V and 480V, manufactured before March 2007. NOTE: Items 1-1s Includes gaskets, grommets, tie wraps, screws and nuts		

### PART NOTES:

- [1] - includes gaskets, grommets, tie wraps, screws and nuts also used for 220V 8.5 kW
- [2] - includes gaskets, grommets, tie wraps, screws and nuts
- [3] - includes gaskets, grommets, tie wraps, screws and nuts  
Recommended Stock Part
- [4] - Recommended Stock Part
- [5] - includes gaskets, grommets, tie wraps, screws and nuts also used for 240V 8.5 kW
- [6] - Short

# Re Series Marine E4 Electric Fryers

## Oil Disposal Plumbing, Oil Disposal Wand



Oil Disposal Plumbing, Oil Disposal Wand

# Re Series Marine E4 Electric Fryers

## Oil Disposal Plumbing, Oil Disposal Wand

#	PART #	DESCRIPTION	QTY	Note
1	1065959	Plumbing, Front Oil Disposal	1	
2	1065933	Plumbing, Rear Oil Disposal	1	
3	1066033	Valve Assembly, Oil Disposal	1	
4	2200922	Rod, Oil Disposal	1	
5	2200963	Bracket, Oil Disposal Rod	1	
6	8072484	Solenoid Valve - 0.25"	1	
7	8090601	Clip, Clevis	1	
8	8100487	Coupling, Male, Quick Disconnect	1	
9	8101043	Flexline - Oil Return - 9.5" L	1	
9a	8101055	Flexline - 0.625" OD x 11.5" L	1	
10	8101668	Male Adaptor - 0.625" OD x 0.5"	1	
11	8102493	Elbow, 90° 0.125-inch NPT x 0.25-inch Quick Connect	1	
12	8111071	Tube, 0.25-inch OD Teflon Manifold Vent	1	[1]
13	8130003-FRY	Tee - 0.5" NPT	1	
14	8130022	Nipple, 0.5" Close NPT BM	1	
15	8130062	Elbow - 0.5" BM x 90°	1	
16	8130093-FRY	Nipple - 0.5" NPT x 4"	1	[2]
17	8130165	Elbow - 0.5" x 90° NPT Street	1	
18	8130173	Union, 0.5-inch NPT	1	
19	8130304	Bushing, 0.5-inch NPT to 0.25-inch NPT Flush Reducing	1	
20	8130429	Nipple - 0.5" NPT x 13.0" BM	1	
21	8130571	Nipple, 0.25-inch x 1.5-inch BM	1	
22	8130807	Bushing, 0.25-inch NPT x 0.125-inch	1	
23	8160637	Cap, Vinyl Blue 0.3125-inch x 3.0"	1	
24	8235685	Bracket, Assembly Quick Disconnect	1	
24a	8235809	Bracket, Assembly Quick Disconnect SCF Deep Cabinet	1	
25	8130265	Nipple - 0.5" x 2.5" NP	1	
26	8101669	Female Adaptor - 0.875" OD x 0.5"	1	
27	8130253-FRY	Nipple, 0.5-inch NPT x 10-inch	1	[3]
28	8130298	Nipple, 0.5" x 2.00" NPT BM Pipe	1	
29	1066407	Switch Assembly RE Wand	1	
30	8067459SP	Assembly, Oil Disposal Wand	1	
31	8100490	Quick Disconnect, 0.25-inch Female	1	
32	8101471	Hose, 24 FPH50 Japan	1	
33	8100603	Wand, FB Filter	1	

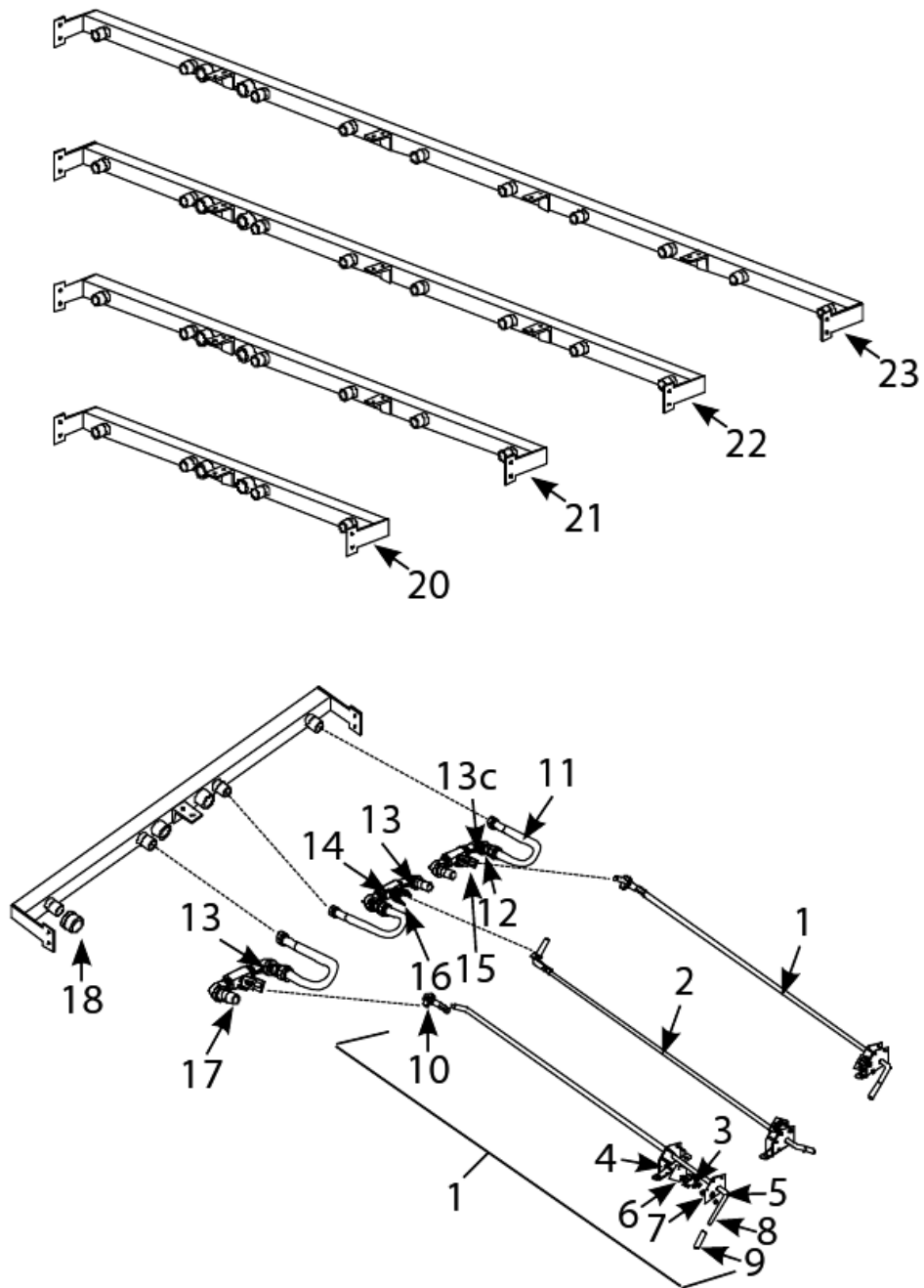
### PART NOTES:

- [1] - sold by the foot
- [2] - replaces Item 11 in some models
- [3] - Dual-val Configuration

Oil Disposal Plumbing, Oil Disposal Wand

# Re Series Marine E4 Electric Fryers

## Oil Return System Components



Oil Return System Components

# Re Series Marine E4 Electric Fryers

## Oil Return System Components

#	PART #	DESCRIPTION	QTY	Note
1	1065596	Handle Assembly, Full-Vat and Right Dual-Vat Rear Flush Complete	1	
1a	1066410	Handle Assembly, Full-Vat Deep Cabinet Complete	1	
2	1065597	Handle Assembly, Left Dual-Vat Rear Flush Complete	1	
3	8072103	Microswitch	1	
4	1065595	Bracket Switch Assembly	1	
5	2005401	Bracket, Handle Retainer	1	
6	8160220	Insulation, Microswitch	1	
7	8261366	Nut - #4-40 Keps Hex	25	
8	8102534	Rod, Full-Vat and Right Dual Vat Rear Flush	1	
8a	8103081	Rod, Full-Vat Right Hand Deep Cabinet	1	
8b	8102533	Rod, Left Dual Vat Rear Flush	1	
9	8160643	Grip, Oil Return Valve Handle	1	
10	8090601	Clip, Clevis	1	
11	8102532	Flexline - 7" L	1	
11a	8101057	Flexline - Oil Return - 13" L	1	
11b	8101055	Flexline - 0.625" OD x 11.5" L	1	
12	8101668	Male Adaptor - 0.625" OD x 0.5"	1	
13	8130165	Elbow - 0.5" x 90° NPT Street	1	
13a	8130062	Elbow - 0.5" BM x 90°	1	
13b	8130087	Nipple, 0.5-inch NPT x 1.5-inch (3.8 cm)	1	
13c	8130908	Adapter, 0.5" NPT 90°	1	[1]
14	8100278	Valve, 0.5" Ball	1	
15	2005438	Handle, Rear Flush Valve	1	
16	9002935	Retainer, Nut Oil Return Valve	1	
17	8130460	Nipple, 0.5-inch X 3.0-inch NPT	1	
18	8130907	Cap, 0.9375-inch Valve Safety	1	
19	8103142	Manifold, Fryer 0.5 Station Fryer	1	
20	8103015	Manifold, Two-Station Fryer	1	
20a	8102543	Manifold, Two-Station Fryer	1	
21	8103016	Manifold, Three-Station Fryer	1	
21a	8102544	Manifold, Three-Station Fryer	1	
22	8103017	Manifold, Four-Station Fryer	1	
22a	8102545	Manifold, Four-Station Fryer	1	
23	8103018	Manifold, Five-Station Fryer	1	
23a	8102546	Manifold, Five-Station Fryer	1	

### PART NOTES:

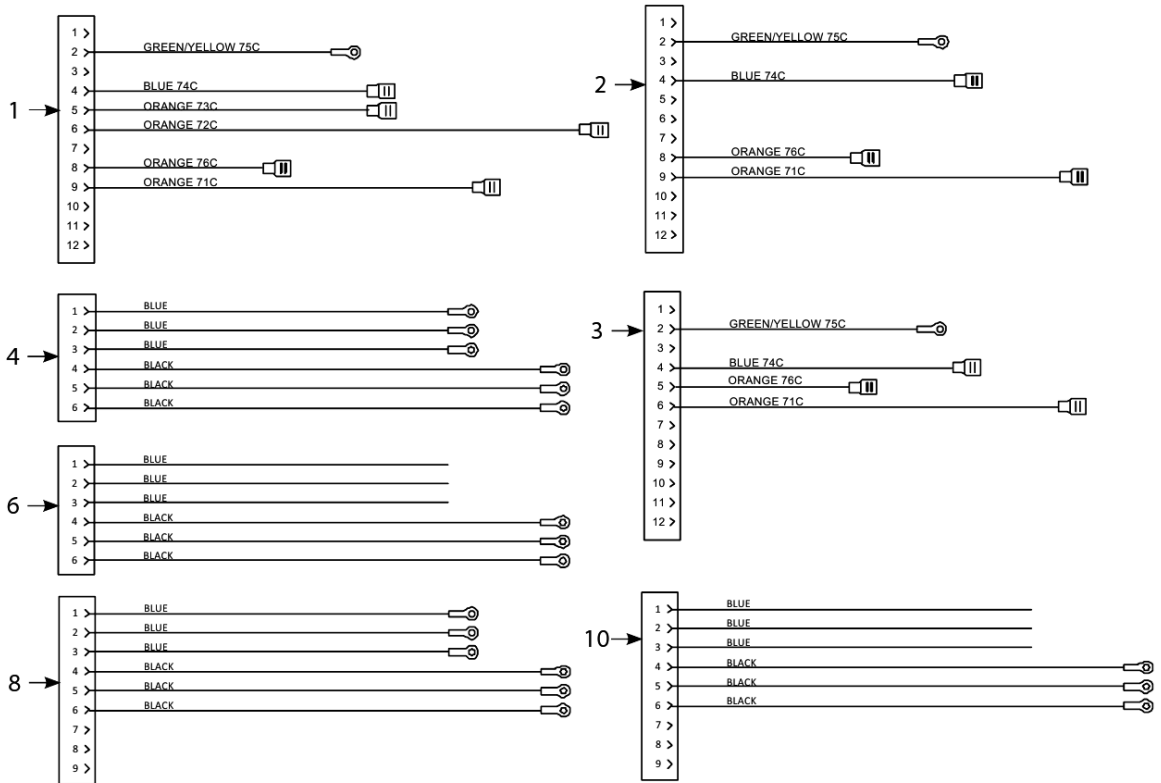
[1] - used only on cabinet side



# Re Series Marine E4 Electric Fryers

## Wiring - Contactor Box Wiring Assemblies – 12-Pin Dual-Vat C-1, 12-Pin Full-Vat

### C-1, 6-Pin (Left Element),



# Re Series Marine E4 Electric Fryers

Wiring - Contactor Box Wiring Assemblies – 12-Pin Dual-Vat C-1, 12-Pin Full-Vat C-1, 6-Pin (Left Element),

#	PART #	DESCRIPTION	QTY	Note
1	1065980SP	Contactactor Box Harness Assembly Dual Vat	1	
2	1066031SP	Contactactor Box Wiring Assemblies – 12-Pin Full-Vat C-1, Contactactor Box Harness Assembly Full Vat Standard EPRI	1	
3	1067042	Fryer and 0.5 Contactactor Box Harness Assembly	1	
4	1066768SP	Contactactor Box Wiring Assembly – 6-Pin (Left Element), 14/17 kW Standard Mercury Contactactor	1	
5	1067849SP	Contactactor Box Wiring Assembly – 6-Pin (Left Element), 22 kW Triac SSR	1	
6	1066771SP	Contactactor Box Wiring Assembly – 6-Pin (Left Element),14/17 kW Mechanical Contactactor	1	
7	1067851SP	Contactactor Box Wiring Assembly – 6-Pin (Left Element), 22 kW Mercury and High Amp Mechanical Contactactor	1	
8	1066769SP	Contactactor Box Wiring Assembly – 9-Pin (Right Element), 14/17 kW Standard Mercury Contactactor	1	
9	1067850SP	Contactactor Box Wiring Assembly – 9-Pin (Right Element), 22 kW Triac SSR	1	
10	1066772SP	Contactactor Box Wiring Assembly – 9-Pin (Right Element),14/17 kW Mechanical Contactactor	1	
11	1067852SP	Contactactor Box Wiring Assembly – 9-Pin (Right Element), 22 kW Mercury and High Amp Mechanical Contactactor	1	
12	8070159	12-Pin Female	1	
13	8070804	15-Pin Male	1	
14	8070160	12-Pin Male	1	
15	8074194	Full Vat Harness	1	
16	8074195	Wiring Harness	1	
17	8074364	Fryer And 0.5 Harness	1	

---

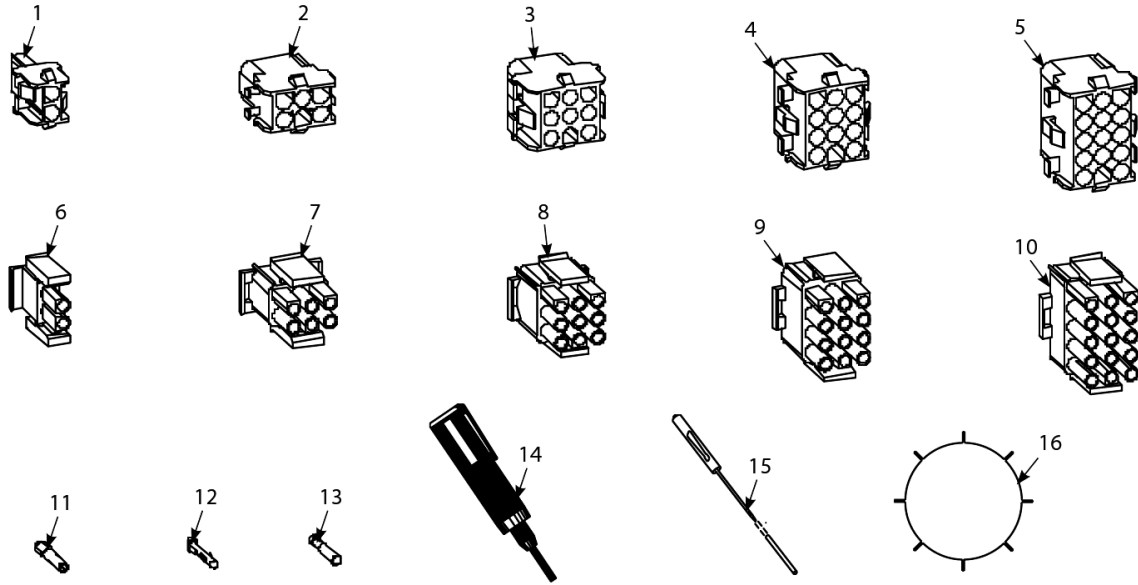
Wiring - Contactor Box Wiring Assemblies – 12-Pin Dual-Vat C-1, 12-Pin Full-Vat C-1, 6-Pin (Left Element)

FRY\_P\_0052\_5\_15\_Wiring - Contactor Box Wiring Assemblies – 12-Pin Dual-Vat C-1, 12-Pin Full-Vat C-1, 6-Pin (Left Element), 9-Pin (Right Element)



# Re Series Marine E4 Electric Fryers

## Wiring Connectors and Pin Connectors, Fasteners



# Re Series Marine E4 Electric Fryers

## Wiring Connectors and Pin Connectors, Fasteners

#	PART #	DESCRIPTION	QTY	Note
1	8071068	2-Pin Female	1	
2	8070158	6-Pin Female	1	
3	8070156	9-Pin Female	1	
4	8070159	12-Pin Female	1	
5	8070875	15-Pin Female	1	
6	8071067	2-Pin Male	1	
7	8070157	6-Pin Male	1	
8	8070155	9-Pin Male	1	
9	8070160	12-Pin Male	1	
10	8070804	15-Pin Male	1	
11	8261341	Terminal, Female Split Pin	25	
12	8261342	Terminal, Male Split Pin	25	
13	8072518	Plug, Mate-N-Lock	1	
14	8070928	Extract Tool Pin Pusher	1	
15	8064855	Pin Pusher Screwdriver Assy	1	
16	2302345	SMT Pin Extractor	1	
17	8074660PK	SMT Pin Service Repair Kit	1	
18	8090429	Bolt - 0.25"- 20 x 2.00" Hex Head ZP Tap	1	
19	8090514	Cap Screw - 0.3125" 18 NC Hex	1	
20	8090448	Clip, Tinnerman	1	
21	8261366	Nut - #4-40 Keps Hex	1	
22	8261358	Nut, 6-32 Keps Hex	1	
23	8090247	Nut - #8-32 Keps Hex	1	
24	8261376	Nut - #10-32 Keps Hex	1	
24b	8090766	Nut, 10-32 Keps Hex SS	1	
25	8090581	Nut, 0.5 NPT Locking	1	
26	8090020	Nut Cap 10-24 NP	1	
27	8261372	Nut Grip 0.25-inch 0.25-20 Hex NP	1	
28	8261368	Nut - 0.25-20 Serrated Flange	1	
29	8090535	Nut, "T" 0.25-inch-20 x 0.4375 SS	1	
30	8090540	Nut, Lock 0.5-inch-13 Hex 2-Way ZP	1	
31	8261359	Screw - #4-40 x 0.75" Slotted Round Head	1	
32	8261365	Screw, 6-32 x 0.375-inch Slot Head	1	
33	8090357	Screw, 6 x 0.375-inch Phillips Head NP	1	
34	8090359	Screw, 8 x 0.25-inch Hex Washer Head	1	
35	8090360	Screw, 8 x 0.375-inch Hex Washer Slot Head	1	
36	8261371	Screw - #8 x 0.5" Hex Head ZP	1	
37	8090364	Screw - #8 x 0.625" Hex Washer Head ZP	1	
38	8090518	Screw, 8-32 x 0.375-inch Hex Washer Slotted Head SS	1	
39	8090104	Screw, 8-32 x 0.5-inch Slotted Head ZP	1	
40	8261363	Screw - #8-32 x 0.5" NP	1	
41	8261360	Screw - #10-24 x 0.3125" Round Slot Head ZP	1	
42	8261330	Screw, 10-32 x 0.375-inch Slot Head SS	1	
43	8091003	Screw - #10-32 x 0.375" Hex Trim Head SS	1	
44	8261375	Screw - #10-32 x 0.75" - Hex Trim Head SS	1	
45	8091000	Screw - #10-32 x 1.25" - Hex	1	

Wiring Connectors and Pin Connectors, Fasteners

# Re Series Marine E4 Electric Fryers

## Wiring Connectors and Pin Connectors, Fasteners

#	PART #	DESCRIPTION	QTY	Note
46	8261374	Screw - #10 x 0.5" Hex Head	1	
47	8090266	Screw, 10 x 0.5-inch Phillips Head ZP	1	
48	8090475	Screw - #10-32 x 0.3125" Hex	1	
49	8090123	Screw - #10 x 0.75" - Slot Head	1	
50	8261389	Screw - 0.25"-20 x 0.75" Hex Head ZP	1	
51	8090582	Washer 0.5 NPT Locking	1	
52	8090184	Washer, #10 LK ZP	1	
53	8090190	Washer, .625 X .275 X 40 Flat SS	1	
54	8090191	Washer, Lock 0.25 Spring ZP	1	
55	8090193	Flat Washer - 0.25" Nylon	1	
56	8090194	Flat Washer - 0.3125" ZP	1	