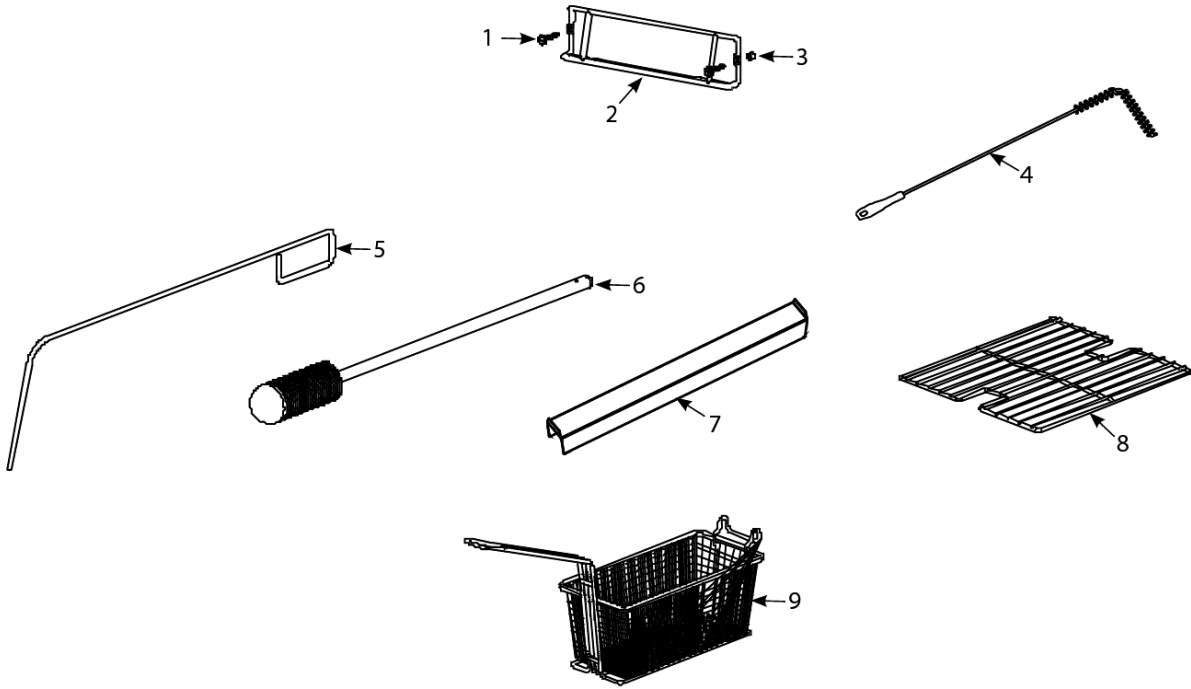


# Re Series E4 Electric Fryers

## Accessories



# Re Series E4 Electric Fryers

## Accessories

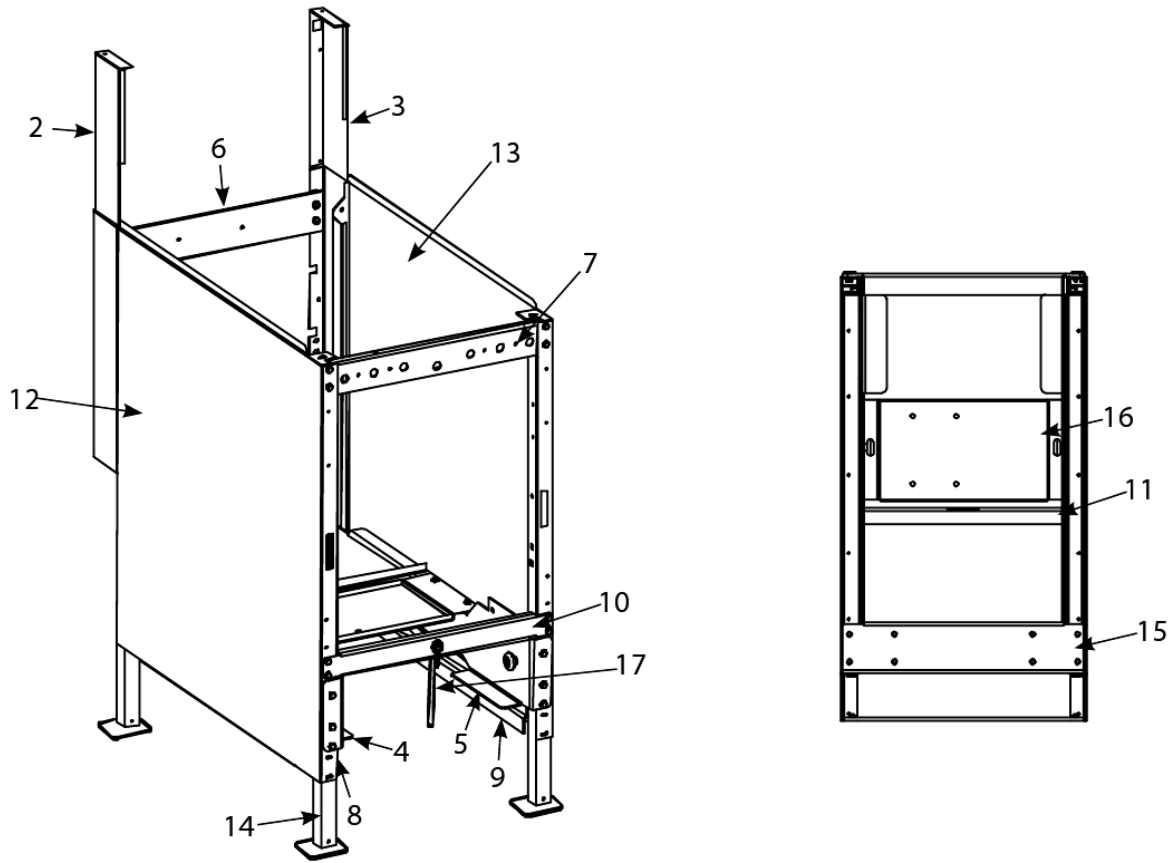
#	PART #	DESCRIPTION	QTY	Note
1	8090989	Basket Hangers and Mounting Hardware, Thumbscrew, 0.25- 20 x 1-inch	1	
2	8102793	Hanger - Wireform Basket	1	
3	8090921-FRY	Spacer, Basket Hanger	1	
4	8030278	L-shaped Brush	1	
5	8030197	Fryer's Friend	1	
6	8030209	Brush, Frypot	1	
7	2109083	Connecting Strip, Frypot	1	
8	8030132	Rack, Full-Vat Basket Support	1	
9	8030271	Basket, Twin Size	1	
10	8030352	0.3125" Nut Driver	1	
11	8030293	Gloves, Neoprene	1	
12	8030002	Powder, Filter	1	[1]
13	8030170	Filter Paper, 16.5" x 25.75"	1	[2]

**PART NOTES:**

- [1] - 80-8oz Applications
- [2] - 100-Sheet Pack

# Re Series E4 Electric Fryers

## Cabinet Bases, Braces, and Associated Parts - FPRE117, 122 Single



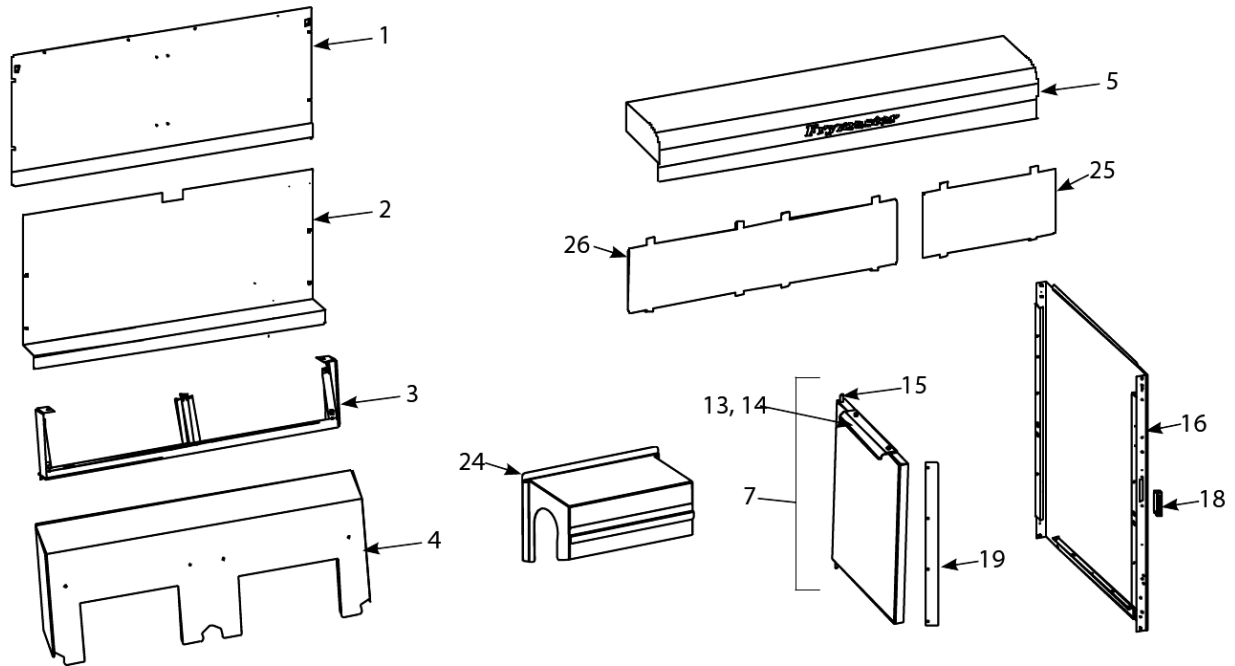
# Re Series E4 Electric Fryers

## Cabinet Bases, Braces, and Associated Parts - FPRE117, 122 Single

#	PART #	DESCRIPTION	QTY	Note
1	1066452	Cabinet Assembly Single Footprint Marine	1	
2	1064947	Upright Assembly, Left	1	
3	1064946	Upright Assembly, Right	1	
4	1066457	Support Assembly, Left	1	
5	1066458	Support Assembly, Right	1	
6	2301502	Brace, Single Rear Horizontal	1	
7	2301503	Brace, Single Front Horizontal	1	
8	2301510	Channel, Left Side	1	
9	2301509	Channel, Right Side	1	
10	2301505	Support, Cabinet Cross	1	
11	2301515	Brace, Contactor Box Locking	1	
12	2311588	Side, Cabinet Left, Single FPRE117/122	1	
13	2321588	Side, Cabinet Right, Single FPRE117/122	1	
14	8235877	Leg	1	
15	8235589	Channel, Base Rear, Single-Station Fryer	1	
16	8241716	Bridge, Pump/Motor	1	
17	8235313	Filter Pan Stop	1	
18	8090782	Washer, 0.3125 SS Flat	1	
19	8100783	Cotter Pin	1	
20	8261362	Nut - 0.25"-20 Hex	10	
21	8090191	Washer, Lock 0.25 Spring ZP	1	
22	8090500	Screw, 10 x 0.5-inch Hex Washer Head 410 SS	1	
23	8261368	Nut - 0.25-20 Serrated Flange	1	
24	8090508	Bolt - 0.25-20 x 1.25"	1	

# Re Series E4 Electric Fryers

Cabinetry - Backs, Panels, Doors, Handles, Sides, Tilt Housings & Top Caps



# Re Series E4 Electric Fryers

## Cabinetry - Backs, Panels, Doors, Handles, Sides, Tilt Housings & Top Caps

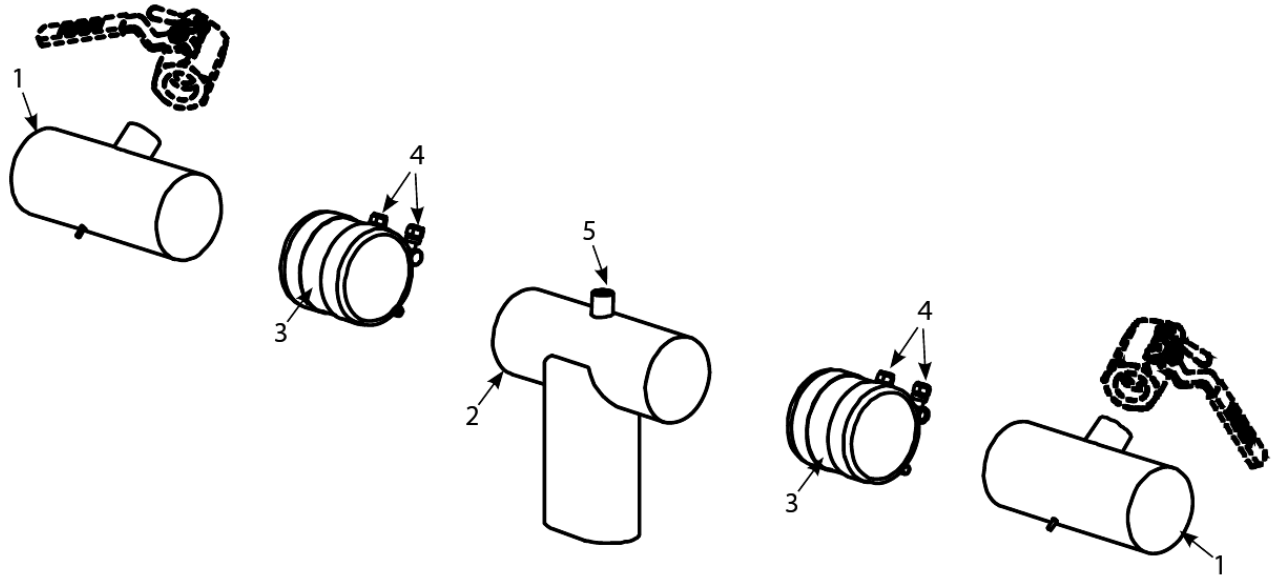
#	PART #	DESCRIPTION	QTY	Note
1	2300675	Back Panel, Upper - Single	1	
1a	2300676	Back Panel, Upper - Two Station Fryer	1	
2	2300672	Back Panel, Center - Single	1	
2a	2300673	Back Panel, Center - Two Station Fryer	1	
3	1065016	Frame, Control Panel - Single	1	
3a	1065221	Frame, Control Panel - Two Station Fryer	1	
4	8235567	Tilt Housing - Single	1	
4a	8235484	Tilt Housing - Two Station Fryer	1	
4b	8236398	Tilt Housing, 2-Station FPRE222	1	
5	2601230SP	Top Cap - Single	1	
5a	1065196	Top Cap - Two Station Fryer	1	
6	2009614	Heat Shield - Single	1	
6a	2009610	Heat Shield - Two/Four Station Fryer	1	
7	1064979	Door Assembly - Single	1	
8	2109213	Panel, Door Universal Single FPRE117/122	1	
9	2109215	Liner, Door Universal Single	1	
10	8090500	Screw, 10 x 0.5-inch Hex Washer Head 410 SS	1	
11	8261343	Spring - Door Pin Hinge	10	
12	1064769	Door, Left or Right	1	[1]
13	8090500	Screw, 10 x 0.5-inch Hex Washer Head 410 SS	1	
14	2109214	Two and Three Station Fryers, Handle, Door	1	
15	1064067SP	Door Pin Assembly	1	
16	2311588	Side, Cabinet Left, Single FPRE117/122	1	
16a	2310326	Side, Cabinet Left, Two or Three Station	1	
17	2321588	Side, Cabinet Right, Single FPRE117/122	1	
17a	2320326	Side, Cabinet Right, Two or Three Station	1	
18	8101105	Door Magnet - Vertical	1	
19	2109086	Door Tab	1	
20	8090123	Screw - #10 x 0.75" - Slot Head	1	
21	8261376	Nut - #10-32 Keps Hex	10	
22	2109188	Hinge, Door Single	1	
23	8090970	Retaining Ring	1	
24	8235656	Cove, Element Tilt Housing	1	
25	2105623	Bezel, Insert for Remote Single-Controller	1	
26	2109085	Bezel, Insert for Remote Double-Controller	1	

**PART NOTES:**

[1] - Left shown – move handle to opposite side for Right

# Re Series E4 Electric Fryers

Drain System Components - FPRE217, 222 Euro-Look Drain Tube Sections and Associated



# Re Series E4 Electric Fryers

## Drain System Components - FPRE217, 222 Euro-Look Drain Tube Sections and Associated

#	PART #	DESCRIPTION	QTY	Note
1	8234625	Drain Tube, Short Full-Vat Left Open/Right End Closed	1	
2	8234892	Drain Outlet Center Dump	1	
3	8160729	Sleeve, Drain Connector	1	
4	8090969	Clamp 3"	1	
5	8102492	Fitting, Quick-Connect Straight	1	[1]
6	8111071	Tube, 0.25-inch OD Teflon Manifold Vent	1	[2]

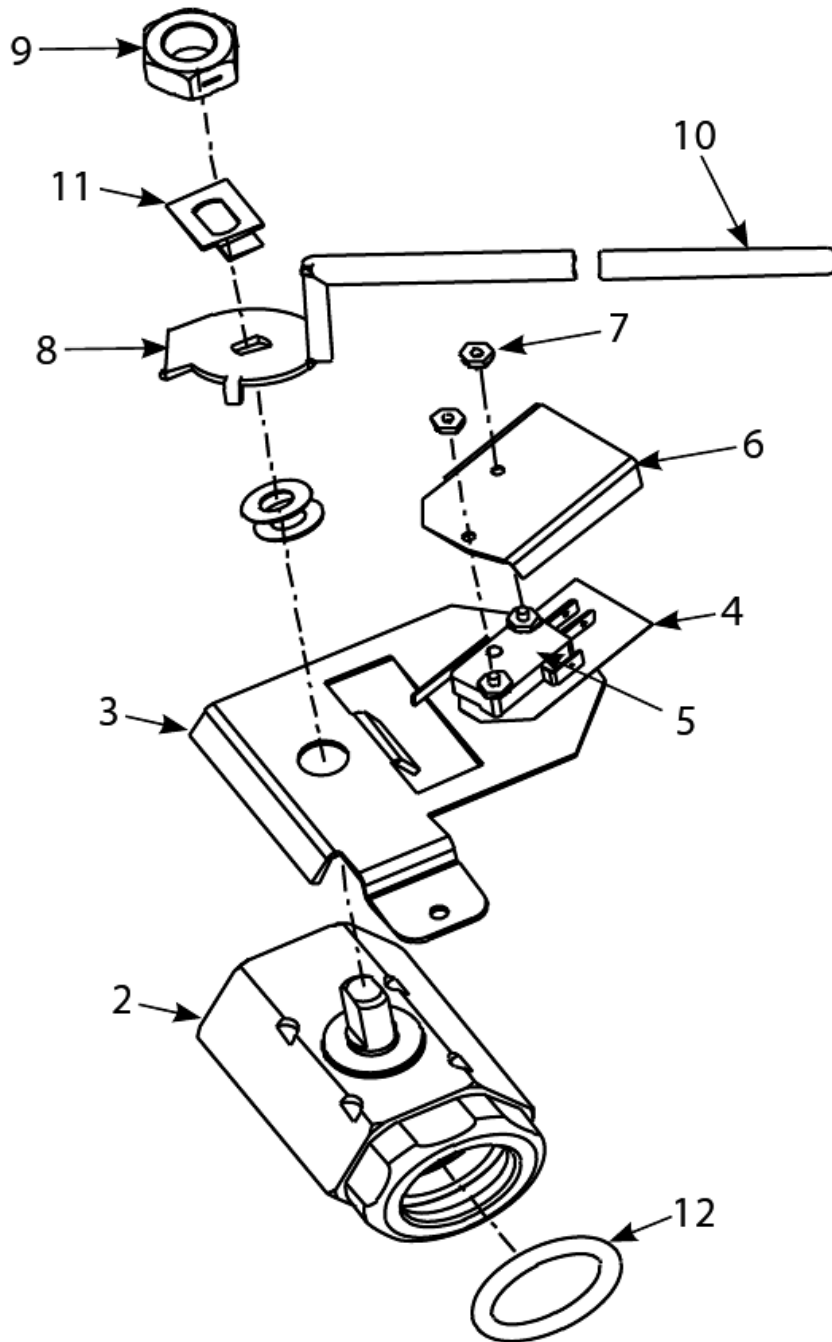
**PART NOTES:**

- [1] - receives Teflon vent tube
- [2] - sold by the foot



# Re Series E4 Electric Fryers

## Drain Valve Assembly and Component Parts - FPRE117, 122 Single Drain Valve Assembly



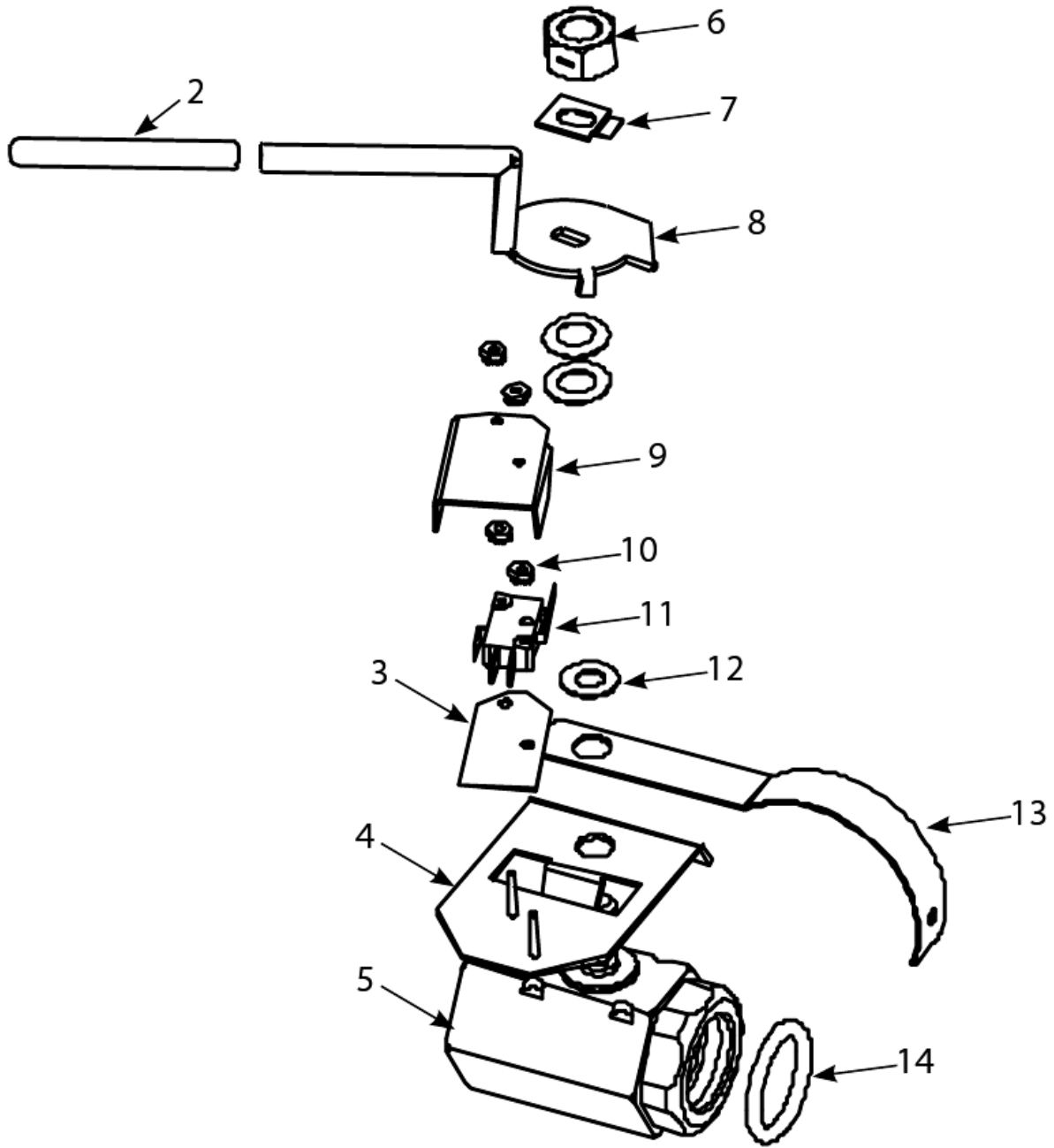
## Re Series E4 Electric Fryers

### Drain Valve Assembly and Component Parts - FPRE117, 122 Single Drain Valve Assembly

#	PART #	DESCRIPTION	QTY	Note
1	1064962	Valve Assembly, Full Vat Drain	1	
2	8102946	Valve, 1.25-inch Full-Vat Drain	1	
3	1065391	Bracket Assembly, Full-Vat Drain Safety Switch Single Footprint Only	1	
4	8160220	Insulation, Microswitch	1	
5	8072103	Microswitch	1	
6	2109178	Cover, Dual Vat Drain Safety Switch	1	
7	8261366	Nut - #4-40 Keps Hex	25	
8	8241602	Handle, Valve, Full-vat	1	
9	2109203	Retainer, Oil Return Valve Nut	1	
10	8160639	Cap, Vinyl Red	1	
11	2109177	Retainer, Full-Vat Drain Valve Nut	1	
12	8160135	O-ring	1	
13	8235592	Tube, Drain Single-Station Only with Filter	1	

# Re Series E4 Electric Fryers

## Drain Valve Assembly and Component Parts - FPRE217, 222 Drain Valve Assembly



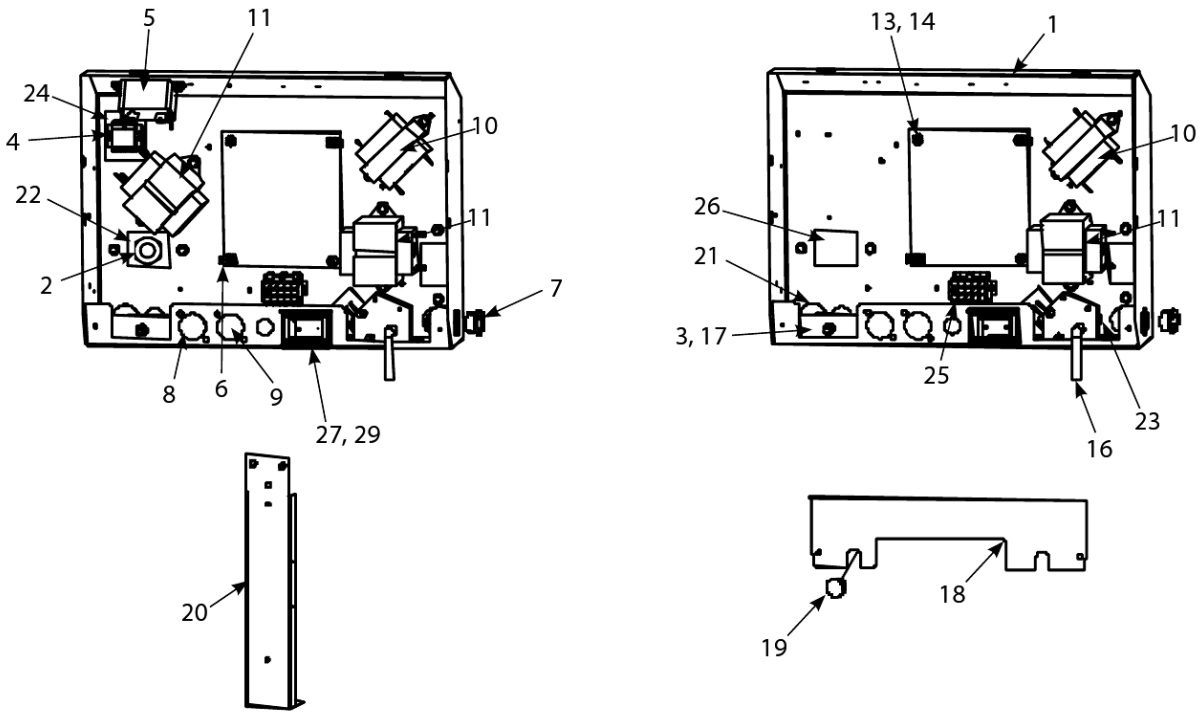
# Re Series E4 Electric Fryers

## Drain Valve Assembly and Component Parts - FPRE217, 222 Drain Valve Assembly

#	PART #	DESCRIPTION	QTY	Note
1	1064920	Valve Assembly, Full Vat Drain	1	
2	8160639	Cap, Vinyl Red	1	
3	8160220	Insulation, Microswitch	1	
4	8068137	Bracket Assembly, Full-Vat Drain Safety Switch	1	
5	8102946	Valve, 1.25-inch Full-Vat Drain	1	
6	8090540	Nut, Lock 0.5-inch-13 Hex 2-Way ZP	1	
7	2109177	Retainer, Full-Vat Drain Valve Nut	1	
8	8241602	Handle, Valve, Full-vat	1	
9	2109178	Cover, Dual Vat Drain Safety Switch	1	
10	8261366	Nut - #4-40 Keps Hex	25	
11	8072103	Microswitch	1	
12	8101165	Washer, Teflon Drain Valve	1	
13	2108966	Support, 3" Drain	1	
14	8160135	O-ring	1	
15	WIR0572	Wire Bundle, Drain Safety Switch	1	

# Re Series E4 Electric Fryers

## Electronics and Wiring Components - Component Boxes



# Re Series E4 Electric Fryers

## Electronics and Wiring Components - Component Boxes

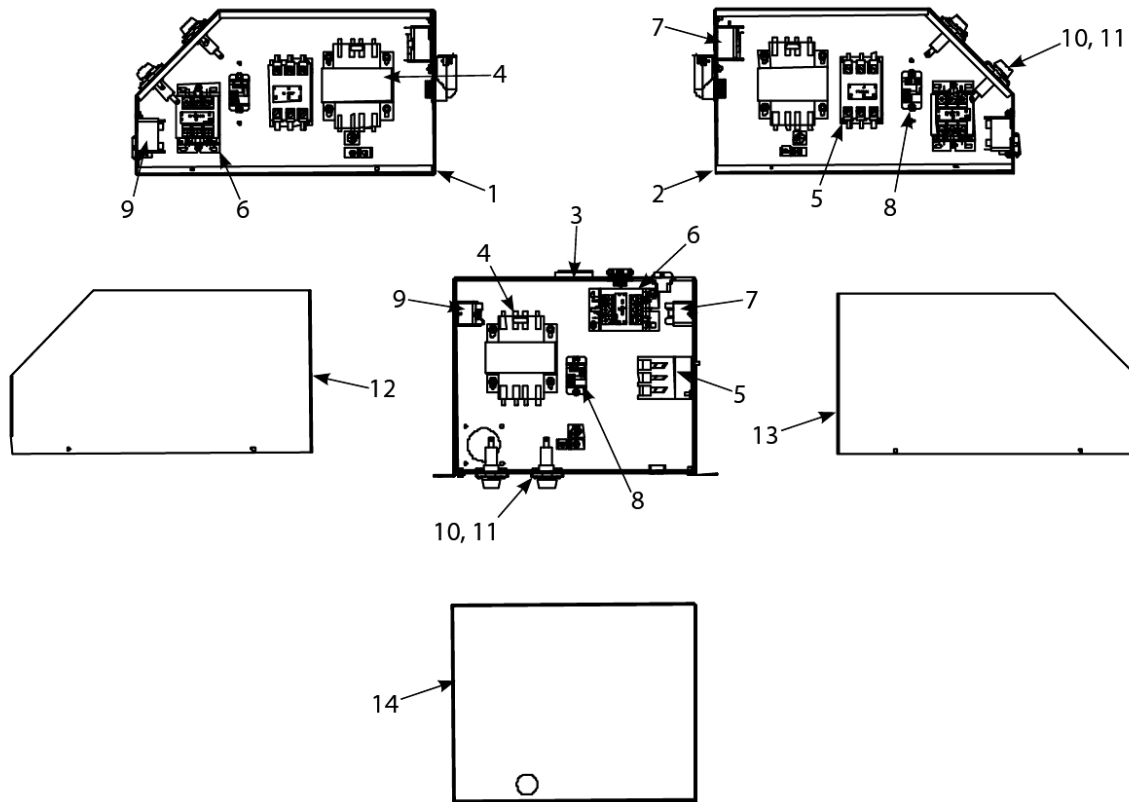
#	PART #	DESCRIPTION	QTY	Note
1	1065846	Box Assembly, Component	1	
2	8090582	Washer 0.5 NPT Locking	1	
3	2301057	Bracket, Circuit Breaker	1	
4	8069495SP	Terminal Block and Wire Assembly	1	
5	8070012	Filter Relay - 18A 24VAC	1	
6	8261337	Tab, 0.25-inch Terminal	5	
7	8100045	Bushing, .875 Dia. Hole 0.6875"	1	
8	8071947	Plug, .875	1	
9	8102446	Plug - 0.5" Heyco Double "D"	1	
10	8070855	Transformer - 120V/50-60 Hz - 12V 20VA	1	
11	8072180	Transformer - 208-240V/24V 50A	1	[1]
12	8070800	Transformer, 100-120V/24V 50VA Filter and MIB	1	[2]
13	8090349	Spacer, 4mm X 6mm Aluminum	1	
14	1066811	Interface Board	1	[3]
15	8073932	Relay, Heat/Latch 12VDC SPDT 12 Amp Sealed	1	[3]
16	1065848	Handle Assembly	1	
17	8070069	Circuit Breaker, 10 Amp	1	
18	2300812	Guard, Finger	1	
19	8102445	Plug, Button .625 Heyco Double "D"	1	
20	2108995	Brace, Component Box	1	
21	8071083	Bushing, Heyco	1	
22	8073868	Strain Relief	1	
23	8070121	Bushing, Heyco SB-625-500	1	
24	8160217	Insulation, Terminal Block Paper	1	
25	1065750	Harness, Full Vat Assembly	1	
26	2200083	Plate, Strain Relief	1	
27	8074036	Switch	1	
28	8073575	Plug, Carling Switch Hole	1	[4]
29	2300834	Guard, RE Box Switch	1	
30	1066958	Left Component Box Complete Assy. w/filter	1	
31	1066957	Right Component Box Complete Assy..w/filter	1	

### PART NOTES:

- [1] - used with 220V Motors
- [2] - used with 120V Motors
- [3] - on SMT boards the relays are not replaceable
- [4] - used in place of a switch on some models

# Re Series E4 Electric Fryers

## Electronics and Wiring Components - Contactor Boxes



# Re Series E4 Electric Fryers

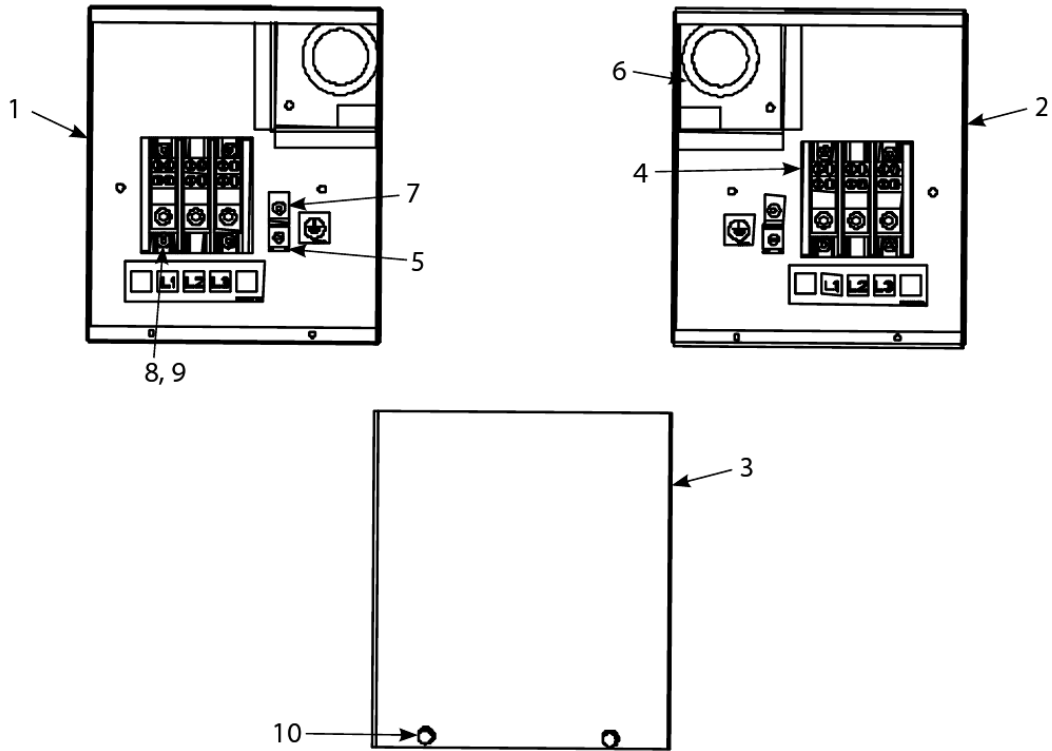
## Electronics and Wiring Components - Contactor Boxes

#	PART #	DESCRIPTION	QTY	Note
1	1068789	Left assembly	1	
2	1068790	Right assembly	1	
3	1068982	Single assembly	1	
4	8070331	Transformer-250VA, 480V Applications, w/Basket Lift	1	
5	8072284	Contactor, 24V 50 Amp Mechanical	1	
6	8101202	Contactor, 24V 40 Amp Mechanical	1	
7	8072434	Relay, Shunt 24V Coil Amp	1	
8	8071683	Relay, 12VDC Secondary Blower Fan to cool frypot	1	
9	8070012	Filter Relay - 18A 24VAC	1	
10	8070922	Holder, Bus Fuse	1	
11	8072278	Fuse, 20 Amp	1	
12	2311135	Cover, Left Hand	1	
13	2321135	Cover, Right Hand	1	
14	2304012	Cover, RE Single Foot Print	1	
15	2310811	Bracket, Left Hand Contactor Box Mounting	1	
16	2320811	Bracket, Right Hand Contactor Box Mounting	1	
17	WIR0751	Wire Assembly, Filter Shunt Relay	1	
18	WIR0726	Wire Assembly, Hood Relay	1	
19	WIR0712	Wire Assembly, Latch/Heat Jumpers	1	
20	1068789	Left assembly	1	
21	1068790	Right assembly	1	
22	1068982	Single assembly	1	



# Re Series E4 Electric Fryers

## Electronics and Wiring Components - Terminal Blocks



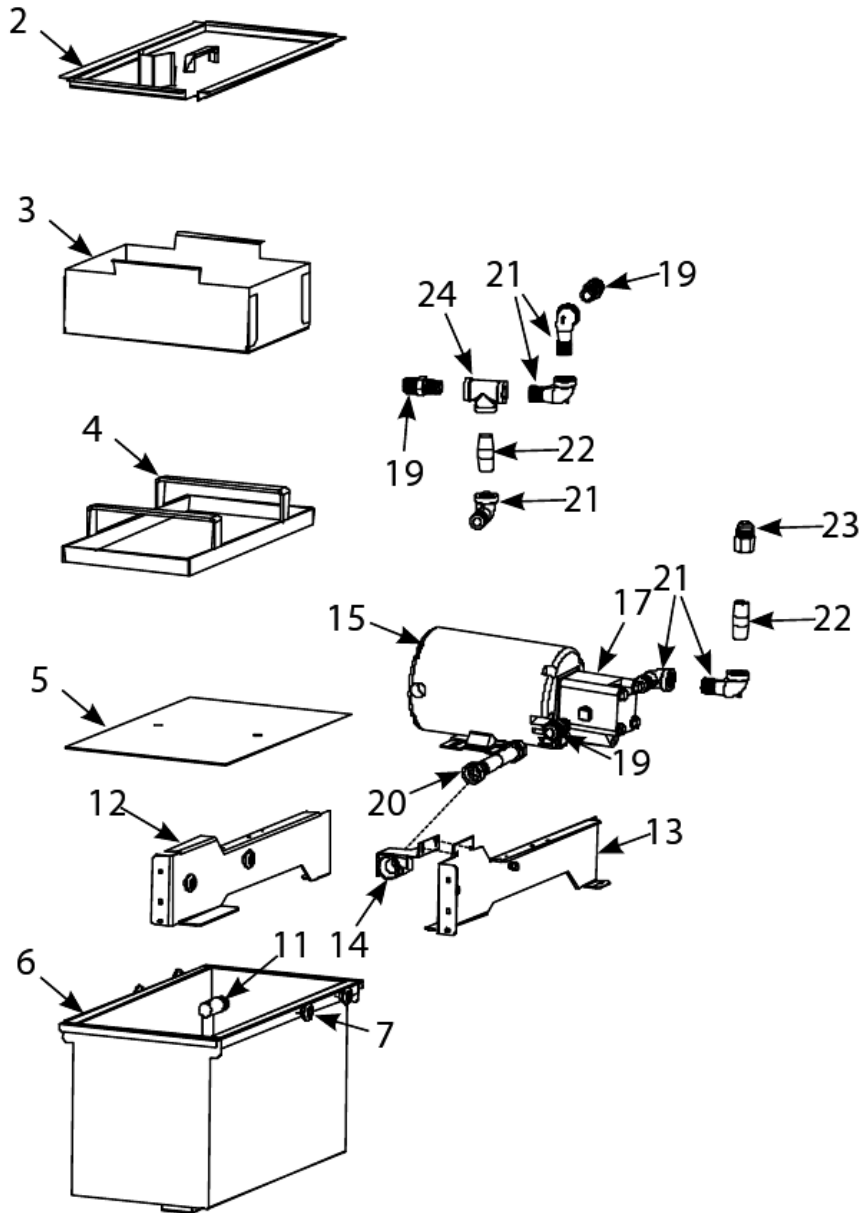
# Re Series E4 Electric Fryers

## Electronics and Wiring Components - Terminal Blocks

#	PART #	DESCRIPTION	QTY	Note
1	8235631	Box, LH Rear Terminal Block	1	
2	8235632	Box, RH Rear Terminal Block	1	
3	2200801	Cover, Rear Terminal Block Box	1	
4	8073970	Block, Terminal 3 pole 600V 175A	1	
5	8070070	Terminal, Ground Lug	1	
6	8070128	Bushing, Insulating Heyco	1	
7	8090247	Nut - #8-32 Keps Hex	1	
8	8090250	Nut, 6-32 Keps Hex	1	
9	8261363	Screw - #8-32 x 0.5" NP	25	
10	8261374	Screw - #10 x 0.5" Hex Head	25	
11	1065817	Left Hand Terminal Block	1	
12	1065822	Right Hand Terminal Block	1	

# Re Series E4 Electric Fryers

## Filtration System Components - FPRE117, 122 Single Filtration Components



# Re Series E4 Electric Fryers

## Filtration System Components - FPRE117, 122 Single Filtration Components

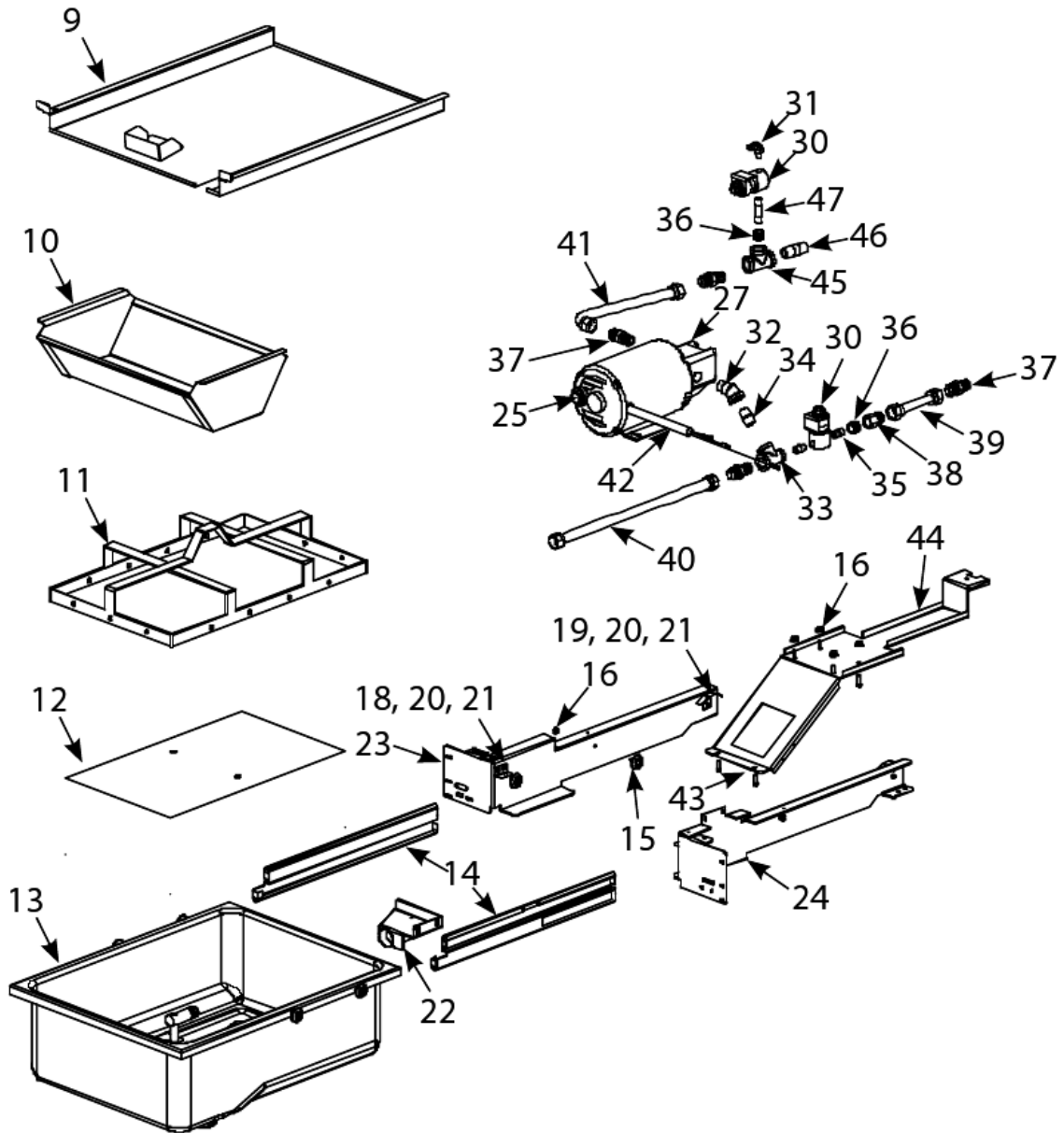
#	PART #	DESCRIPTION	QTY	Note
1	1066519	Assembly, Filter Pan Single FPRE117/122 includes pan and lid	1	
2	1066516	Lid, Assembly Single FPRE117/122	1	
3	8241707	Crumb Tray	1	
4	8104439	Hold Down Ring - Paper	1	
5	2201316	Sana Grid Filter Screen	1	
6	8235879	Pan, Filter	1	
7	8102198	Roller, Filter Pan and Rail	1	
8	8261979	Filter Pan Roller Kit	1	
9	8261372	Nut Grip 0.25-inch 0.25-20 Hex NP	10	
10	8102012	Rail Set, Filter Pan Roller	1	[1]
11	8261392	O-Ring	5	
12	1065981	Support, Assy. Left Filter Pan	1	
13	1065982	Support, Assy. Right Filter Pan	1	
14	8235862	Fitting, Female Suction Tube	1	
15	8261270	Motor and Gasket Kit - 220-240V/50-60 Hz	1	
16	8261712	Motor and Gasket Kit - 115V/50-60 Hz	1	
17	8261264	Pump Kit - 4 GPM	1	
18	80711973	Pump Seal Kit - Viking	1	
19	8101668	Male Adaptor - 0.625" OD x 0.5"	1	
20	8101680	Flexline - 0.625" OD x 6.5" L	1	
21	8130616	Elbow, ST 0.5" x 0.5" NPT 90° BM	1	
22	8130912	Nipple, 0.5-inch 2.0-inch SS	1	
23	8101669	Female Adaptor - 0.875" OD x 0.5"	1	
24	8102343	Tee, 0.5-inch SS	1	
25	8030170	Filter Paper, 16.5" x 25.75"	1	
26	8071098	Heater Strip Assembly, 240V, 25W 18"	1	
27	8065933SP	Heater Strip Assembly, 120V 18" 25W	1	

**PART NOTES:**

[1] - includes one left and one right

# Re Series E4 Electric Fryers

## Filtration System Components - FPRE217, 222 Filtration Components



# Re Series E4 Electric Fryers

## Filtration System Components - FPRE217, 222 Filtration Components

#	PART #	DESCRIPTION	QTY	Note
1	8261979	Filter Pan Roller Kit	1	
2	8261980	Service Filter Pan	1	
3	8261981	Service Filter Pan Assembly	1	[1]
4	8261392	O-Ring	5	[2]
5	8130568	Plug, 0.125" SS NPT, Sq-Head	1	
6	8111071	Tube, 0.25-inch OD Teflon Manifold Vent	1	[3]
7	8071098	Heater Strip Assembly, 240V, 25W 18"	1	
8	8065933SP	Heater Strip Assembly, 120V 18" 25W	1	
9	8235130	Lid, Filter Pan	1	
10	8103161	Crumb Tray	1	
11	8102091	Hold Down Ring	1	
12	2002124	SanaGrid Filter Screen	1	
13	1064925	Pan, One-Piece Filter	1	[4]
14	8102012	Rail Set, Filter Pan Roller	1	[5]
15	8102198	Roller, Filter Pan and Rail	1	[6]
16	8261372	Nut Grip 0.25-inch 0.25-20 Hex NP	10	
17	8090191	Washer, Lock 0.25 Spring ZP	1	
18	8234675	Bracket, Lid Support	1	
19	2109000	Guide, Filter Pan Lid, Left	1	
19a	2109005	Guide, Filter Pan Lid, Right	1	
20	8090503	Screw - #8-32 x 0.5" Slotted Truss Head	1	
21	8090247	Nut - #8-32 Keps Hex	1	
22	8235133	Suction Tube	1	
23	2108979	Rail, Left Filter	1	
24	2108978	Rail, Right Filter	1	
25	8261270	Motor and Gasket Kit - 220-240V/50-60 Hz	1	
26	8261712	Motor and Gasket Kit - 115V/50-60 Hz	1	
27	8261264	Pump Kit - 4 GPM	1	
28	8160093	Gasket - Pump/Motor	1	
29	80711973	Pump Seal Kit - Viking	1	
30	8072484	Solenoid Valve - 0.25"	1	
31	8102493	Elbow, 90° 0.125-inch NPT x 0.25-inch Quick Connect	1	
32	8130342	Elbow, 0.5-inch 45° Street	1	
33	8130530	Tee, Reducing 0.5-inch x 0.25-inch x 0.5-inch	1	
34	8130087	Nipple, 0.5-inch NPT x 1.5-inch (3.8 cm)	1	
35	8130838	Nipple - 0.25" NPT	1	
36	8130304	Bushing, 0.5-inch NPT to 0.25-inch NPT Flush Reducing	1	
37	8101668	Male Adaptor - 0.625" OD x 0.5"	1	
38	8101669	Female Adaptor - 0.875" OD x 0.5"	1	
39	8101680	Flexline - 0.625" OD x 6.5" L	1	
40	8101057	Flexline - Oil Return - 13" L	1	
41	8101043	Flexline - Oil Return - 9.5" L	1	
42	8073828	Cable, FootPrint Pro Pump Motor	1	
43	8261375	Screw - #10-32 x 0.75" - Hex Trim Head SS	5	
44	2109016	Bridge, Filter Motor	1	
45	8130003-FRY	Tee - 0.5" NPT	1	

# Re Series E4 Electric Fryers

## Filtration System Components - FPRE217, 222 Filtration Components

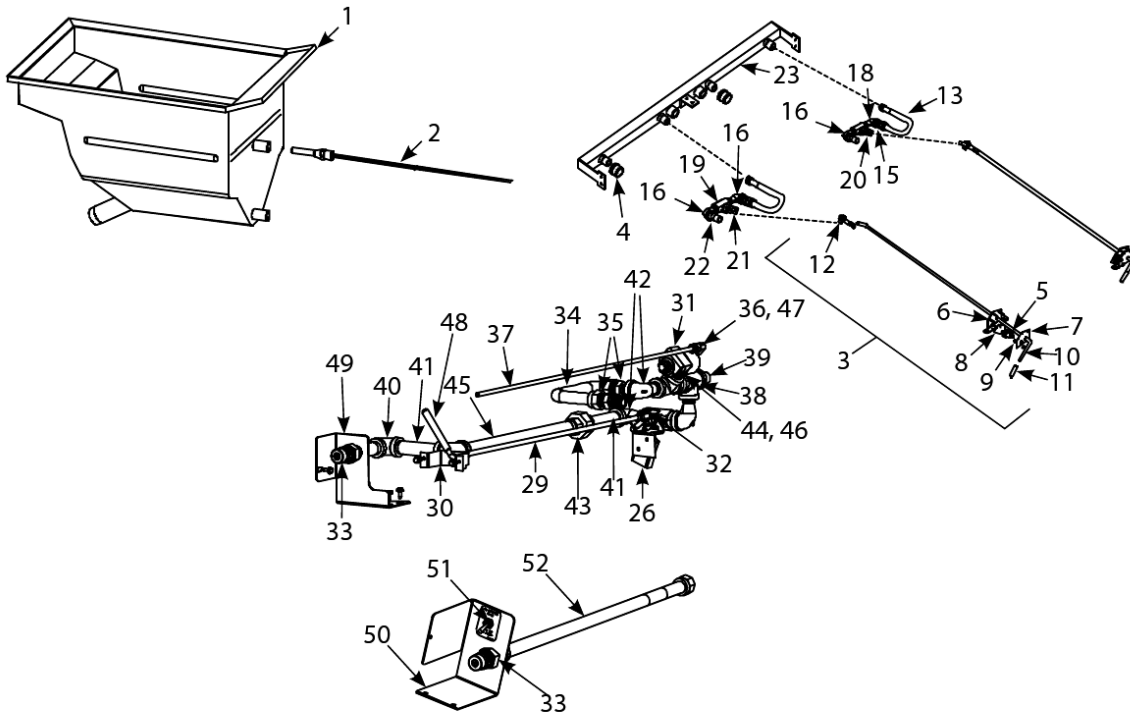
#	PART #	DESCRIPTION	QTY	Note
46	8130298	Nipple, 0.5" x 2.00" NPT BM Pipe	1	
47	8130537	Nipple - 0.25" x 2"	1	
48	8101043	Flexline - Oil Return - 9.5" L	1	
49	8030170	Filter Paper, 16.5" x 25.75"	1	

### PART NOTES:

- [1] - includes plug and O-Ring
- [2] - used with Item 13
- [3] - sold by the foot
- [4] - includes Item 10
- [5] - includes one left and one right
- [6] - includes screws

# Re Series E4 Electric Fryers

## Frypot Assembly Thermostat, Oil Return System Components





# Re Series E4 Electric Fryers

## Frypot Assembly Thermostat, Oil Return System Components

#	PART #	DESCRIPTION	QTY	Note
1	8235746	Frypot	1	
2	8261177	Thermostat, High-Limit 425°F/218°C	1	
3	1065848	Handle Assembly	1	
4	8130907	Cap, 0.9375-inch Valve Safety	1	
5	8072103	Microswitch	1	
6	1065847	Bracket Assembly, Microswitch	1	
7	2108998	Bracket, Handle Retainer	1	
8	8160220	Insulation, Microswitch	1	
9	8261366	Nut - #4-40 Keps Hex	25	
10	8103105	Rod, Handle	1	
11	8160643	Grip, Oil Return Valve Handle	1	
12	8090601	Clip, Clevis	1	
13	8102532	Flexline - 7" L	1	
14	8101057	Flexline - Oil Return - 13" L	1	
15	8101668	Male Adaptor - 0.625" OD x 0.5"	1	
16	8130616	Elbow, ST 0.5" x 0.5" NPT 90° BM	1	
16a	8130899	Elbow, 0.5-inch X 90° SS	1	
17	8130905	Nipple, 0.25-inch x 1.5-inch SS	1	
18	8130908	Adapter, 0.5" NPT 90°	1	[1]
19	8102944	Valve, 0.5-inch Ball	1	
20	2108999	Handle, Rear Flush Valve	1	
21	2109203	Retainer, Oil Return Valve Nut	1	
22	8130913	Nipple, 0.5-inch x 3.0-inch SS	1	
23	8103015	Manifold, Two-Station Fryer	1	
24	1065975	Plumbing, Front Oil Disposal	1	
25	1066472	Plumbing, Front Oil Disposal (for Singles)	1	
26	1065974	Valve Assembly, Oil Disposal	1	
27	8102944	Valve, 0.5-inch Ball	1	
28	8072103	Microswitch	1	
29	2300985	Rod, Oil Disposal	1	
30	2300986	Bracket, Oil Disposal Rod	1	
31	8072484	Solenoid Valve - 0.25"	1	
32	8090601	Clip, Clevis	1	
33	8100487	Coupling, Male, Quick Disconnect	1	
34	8101043	Flexline - Oil Return - 9.5" L	1	
35	8101668	Male Adaptor - 0.625" OD x 0.5"	1	
36	8102493	Elbow, 90° 0.125-inch NPT x 0.25-inch Quick Connect	1	
37	8121803	Tubing, 0.25-inch OD x 24.50" Teflon	1	
38	8132343	Tee, 0.5-inch x 0.5-inch x 0.5-inch SS	1	
39	8130900	Nipple, 0.5-inch x Close SS	1	
40	8130889	Elbow, 0.5-inch 90° SS	1	
41	8130901	Nipple, 0.5-inch x 4.0" SS	1	
42	8130616	Elbow, ST 0.5" x 0.5" NPT 90° BM	1	
43	8130902	Union, 0.5-inch NPT SS	1	
44	8130903	Bushing, 0.5-inch x 0.25-inch SS Flush	1	
45	8130904	Nipple, 0.5-inch x 13.0" NPT SS	1	

# Re Series E4 Electric Fryers

## Frypot Assembly Thermostat, Oil Return System Components

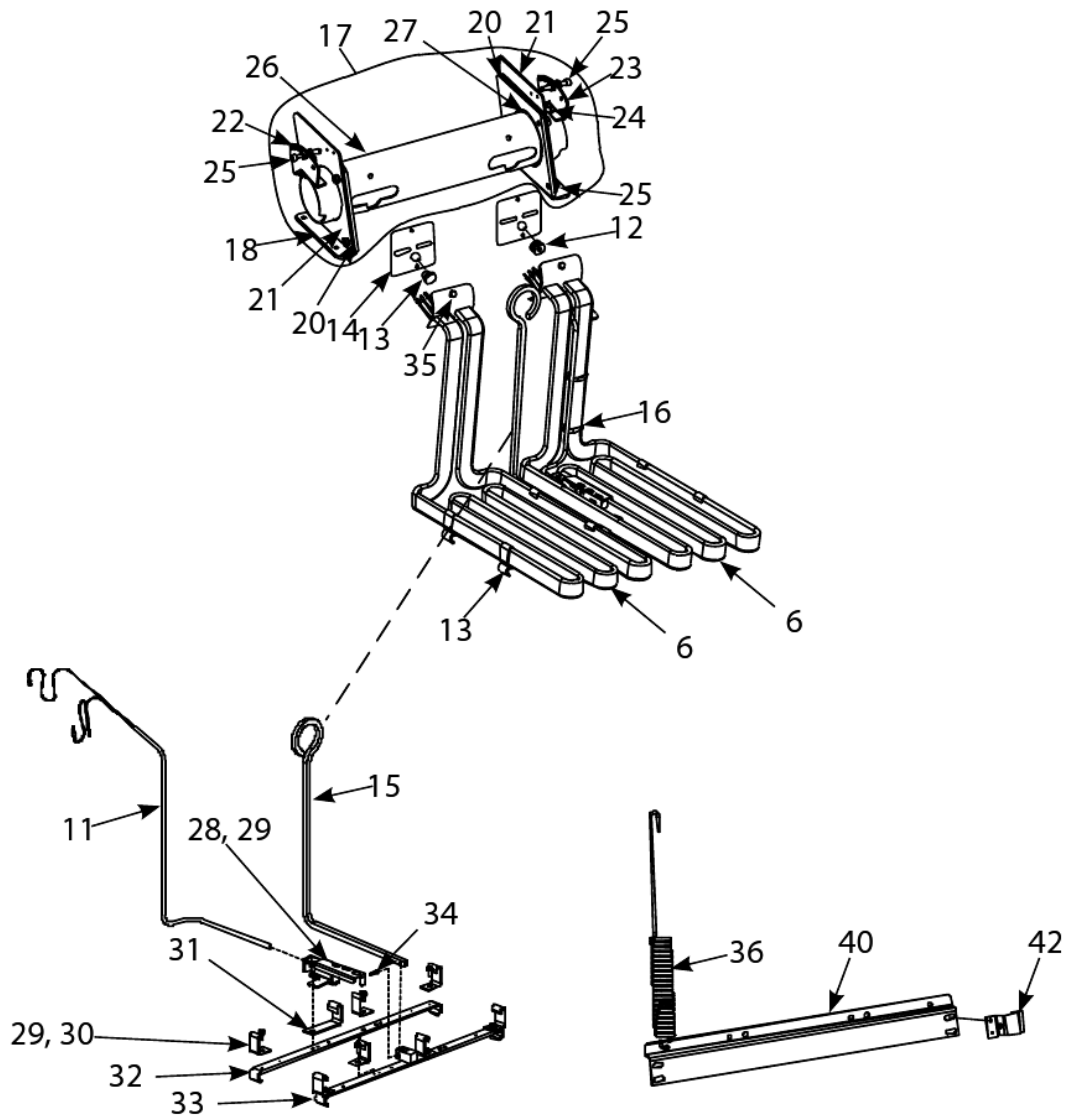
#	PART #	DESCRIPTION	QTY	Note
46	8130905	Nipple, 0.25-inch x 1.5-inch SS	1	
47	8130807	Bushing, 0.25-inch NPT x 0.125-inch	1	
48	8160637	Cap, Vinyl Blue 0.3125-inch x 3.0"	1	
49	8235693	Bracket, Assembly Quick Disconnect	1	
50	8235858	Bracket Mount Single RCCL	1	
51	8072106	Switch Toggle Single	1	
52	8101068	Flexline - 0.625" OD x 21.5" L	1	

**PART NOTES:**

[1] - used only on side next to cabinet

# Re Series E4 Electric Fryers

## Heating Element Assembly and Associated Parts



# Re Series E4 Electric Fryers

## Heating Element Assembly and Associated Parts

#	PART #	DESCRIPTION	QTY	Note
1	1065554	Element Assembly FV 440V 17kW w/ Lift Handle Single FPRE117	1	
2	1065558	Element Assembly FV 480V 17kW w/ Lift Handle FPRE217	1	
3	1081715	Element Assembly FV 230/400V 22 kW w/ Lift Handle FPRE122	1	
4	1068547	Element Assembly FV 440V 22 kW w/ Lift Handle FPRE122	1	
5	1068546	Element Assembly FV 480V 22 kW w/ Lift Handle FPRE222	1	
6	8262202	Element Kits - 440V - 18.5 kW	1	[1]
7	8262203	Element Kits - 480V - 18.5 kW	1	[1]
8	8262206	Element Kits - 230V - 11.0 kW	1	[1]
9	8262211	Element Kits - 440V - 11.0 kW	1	[1]
10	8262209	Element Kits - 480V - 11.0 kW	1	[1]
11	8262212	Temperature Probe Kit	1	[2]
12	8160681	Grommet, Probe	1	
13	8160480	Plug, .375-inch Dome	1	
14	8160688	Gasket, Element	1	
15	8101233	Handle, Element Lift	1	
16	8090567	Tie-Wrap - Metal	1	
17	1065590	Tube Assembly Element, Full-Vat	1	
18	1065588	Bracket Assembly, LH Element Tube Support	1	
19	1065589	Bracket Assembly, RH Element Tube Support	1	
20	2300554	Plate, Element Tube Support Inner	1	
21	2300553	Plate, Element Tube Support Outer	1	
22	1066569	Bracket Assembly, LH Upper Spring	1	
23	1066570	Bracket Assembly, RH Upper Spring	1	
24	8261330	Screw, 10-32 x 0.375-inch Slot Head SS	25	
25	8091000	Screw - #10-32 x 1.25" - Hex	1	
26	1066037	Tube, FV Element Mounting	1	
27	8102993	Bushing, Tube End Teflon	1	
28	2300850	Bracket, Temperature Probe	1	
29	8090518	Screw, 8-32 x 0.375-inch Hex Washer Slotted Head SS	1	
30	2109180	Clamp, Element (Short)	1	
31	2300781	Key Operated Switch Ice With Keys	1	
32	2300849	Bracket RE, Full-Vat Element Rear	1	
33	8235657	Bracket RE, Full-Vat Element Front	1	
34	8261364	Pin, .125 X .5-inch Split	25	
35	8091003	Screw - #10-32 x 0.375" Hex Trim Head SS	1	
35a	8090766	Nut, 10-32 Keps Hex SS	1	
36	8103030	Spring, Element Lift Left	1	
37	8103031	Spring, Element Lift Right	1	
38	8103339	Spring, Element Lift Left (22 kW)	1	
39	8103340	Spring, Element Lift Right (22 kW)	1	
40	2201190	Bracket, Lower Spring Single Foot Print	1	
41	2200464	Bracket, Lower Spring	1	
42	2200733	Bracket, Lower Spring Mating	1	
43	1066587	Magnetic Position Sensor	1	
44	8103007	Magnet - Ring	1	

# Re Series E4 Electric Fryers

## Heating Element Assembly and Associated Parts

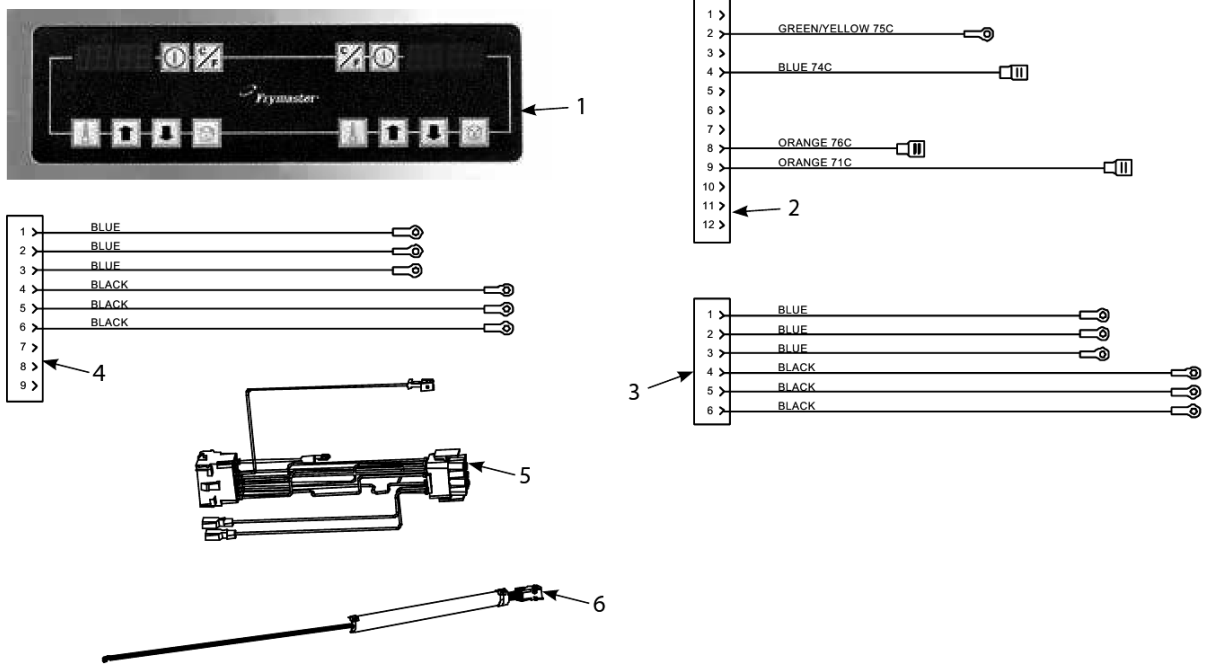
#	PART #	DESCRIPTION	QTY	Note
45	2300794	Bracket, Magnetic Position Sensor Wire	1	

**PART NOTES:**

- [1] - includes gaskets, grommets, tie wraps, screws and nuts
- [2] - includes tie wraps and grommet

# Re Series E4 Electric Fryers

## Remote Digital Controller , Wiring Assemblies and Harnesses



# Re Series E4 Electric Fryers

## Remote Digital Controller , Wiring Assemblies and Harnesses

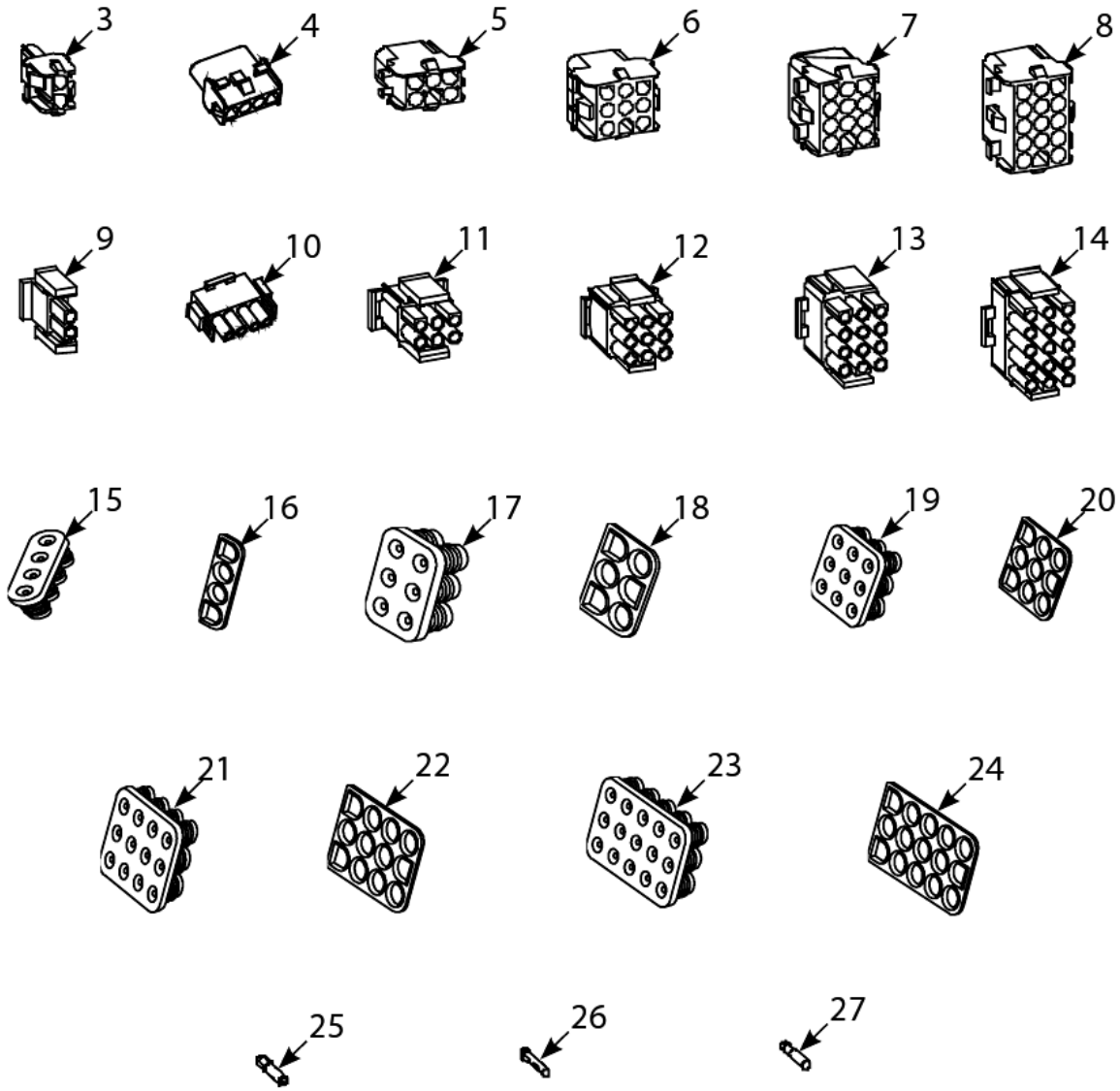
#	PART #	DESCRIPTION	QTY	Note
1	1066385	Remote Digital Controller	1	
1a	1065142	Remote Controller Cable	1	
2	1066031	Contactor Box Wiring Assembly – 12-Pin Full-Vat C-1	1	
3	1066281	Contactor Box Wiring Assemblies – 6-Pin (Left Element) 14/17 kW	1	
4	1066282	Contactor Box Wiring Assemblies – 9-Pin (Right Element) 14/17kW	1	
5	1065750	Harness, Full Vat Assembly	1	[1]
6	1065935	Filter Pump C2 to Component Box Wiring Harness	1	
7	8074077	Component Box and Filter Pump Wiring Harnesses	1	
8	8070159	12-Pin Female	1	
9	8070804	15-Pin Male	1	
10	8070160	12-Pin Male	1	
11	8074195	Wiring Harness	1	

**PART NOTES:**

[1] - WIR0765 required with this harness

# Re Series E4 Electric Fryers

## Wiring Connectors, Pin Terminals, Seals, And Power Cords and Fasteners





# Re Series E4 Electric Fryers

## Wiring Connectors, Pin Terminals, Seals, And Power Cords and Fasteners

#	PART #	DESCRIPTION	QTY	Note
1	8073834	Power Cords, Cable, 3-Phase 4-Wire	1	[1]
2	1066530	Power Cords, Cord, Filter System Power 220V 15A	1	
3	8071068	2-Pin Female	1	
4	8073232	Connectors, 4-Pin Female	1	
5	8070158	6-Pin Female	1	
6	8070156	9-Pin Female	1	
7	8070159	12-Pin Female	1	
8	8070875	15-Pin Female	1	
9	8071067	2-Pin Male	1	
10	8072078	Connectors, 4-Pin Male	1	
11	8070157	6-Pin Male	1	
12	8070155	9-Pin Male	1	
13	8070160	12-Pin Male	1	
14	8070804	15-Pin Male	1	
15	8160675	Universal Mate-N-Lock Seals, 4-Pin Wire Seal	1	
16	8160676	Universal Mate-N-Lock Seals, 4-Pin Interface Connector Seal	1	
17	8160667	Universal Mate-N-Lock Seals, 6-Pin Wire Seal	1	
18	8160668	Universal Mate-N-Lock Seals, 6-Pin Interface Connector Seal	1	
19	8160669	Universal Mate-N-Lock Seals, 9-Pin Wire Seal	1	
20	8160670	Universal Mate-N-Lock Seals, 9-Pin Interface Connector Seal	1	
21	8160671	Universal Mate-N-Lock Seals, 12-Pin Wire Seal	1	
22	8160672	Universal Mate-N-Lock Seals, 12-Pin Interface Connector Seal	1	
23	8160673	Universal Mate-N-Lock Seals, 15-Pin Wire Seal	1	
24	8160674	Universal Mate-N-Lock Seals, 15-Pin Wire Seal	1	
25	8261341	Terminal, Female Split Pin	25	
26	8261342	Terminal, Male Split Pin	25	
27	8072518	Plug, Mate-N-Lock	1	[2]
28	8090429	Bolt - 0.25"- 20 x 2.00" Hex Head ZP Tap	1	
29	8090514	Cap Screw - 0.3125" 18 NC Hex	1	
30	8090448	Clip, Tinnerman	1	
31	8261366	Nut - #4-40 Keps Hex	1	
32	8261366	Nut - #4-40 Keps Hex	25	
33	8261358	Nut, 6-32 Keps Hex	1	
35	8090247	Nut - #8-32 Keps Hex	1	
36	8261376	Nut - #10-32 Keps Hex	1	
38	8090766	Nut, 10-32 Keps Hex SS	1	
39	8090581	Nut, 0.5 NPT Locking	1	
40	8090020	Nut Cap 10-24 NP	1	
41	8261372	Nut Grip 0.25-inch 0.25-20 Hex NP	1	
43	8261368	Nut - 0.25-20 Serrated Flange	1	
44	8090535	Nut, "T" 0.25-inch-20 x 0.4375 SS	1	
45	8090540	Nut, Lock 0.5-inch-13 Hex 2-Way ZP	1	
46	8261359	Screw - #4-40 x 0.75" Slotted Round Head	1	
48	8261365	Screw, 6-32 x 0.375-inch Slot Head	1	
50	8090357	Screw, 6 x 0.375-inch Phillips Head NP	1	
51	8090359	Screw, 8 x 0.25-inch Hex Washer Head	1	

# Re Series E4 Electric Fryers

## Wiring Connectors, Pin Terminals, Seals, And Power Cords and Fasteners

#	PART #	DESCRIPTION	QTY	Note
52	8090360	Screw, 8 x 0.375-inch Hex Washer Slot Head	1	
53	8261371	Screw - #8 x 0.5" Hex Head ZP	1	
55	8090364	Screw - #8 x 0.625" Hex Washer Head ZP	1	
56	8090518	Screw, 8-32 x 0.375-inch Hex Washer Slotted Head SS	1	
57	8090104	Screw, 8-32 x 0.5-inch Slotted Head ZP	1	
58	8261363	Screw - #8-32 x 0.5" NP	1	
60	8261360	Screw - #10-24 x 0.3125" Round Slot Head ZP	1	
62	8261330	Screw, 10-32 x 0.375-inch Slot Head SS	1	
63	8091003	Screw - #10-32 x 0.375" Hex Trim Head SS	1	
64	8261375	Screw - #10-32 x 0.75" - Hex Trim Head SS	1	
66	8091000	Screw - #10-32 x 1.25" - Hex	1	
67	8261374	Screw - #10 x 0.5" Hex Head	1	
69	8090266	Screw, 10 x 0.5-inch Phillips Head ZP	1	
70	8090475	Screw - #10-32 x 0.3125" Hex	1	
71	8090123	Screw - #10 x 0.75" - Slot Head	1	
72	8261389	Screw - 0.25"-20 x 0.75" Hex Head ZP	1	
74	8090582	Washer 0.5 NPT Locking	1	
75	8090184	Washer, #10 LK ZP	1	
76	8090190	Washer, .625 X .275 X 40 Flat SS	1	
77	8090191	Washer, Lock 0.25 Spring ZP	1	
78	8090193	Flat Washer - 0.25" Nylon	1	
79	8090194	Flat Washer - 0.3125" ZP	1	

### PART NOTES:

- [1] - Fryer Power Cable
- [2] - Dummy Pin