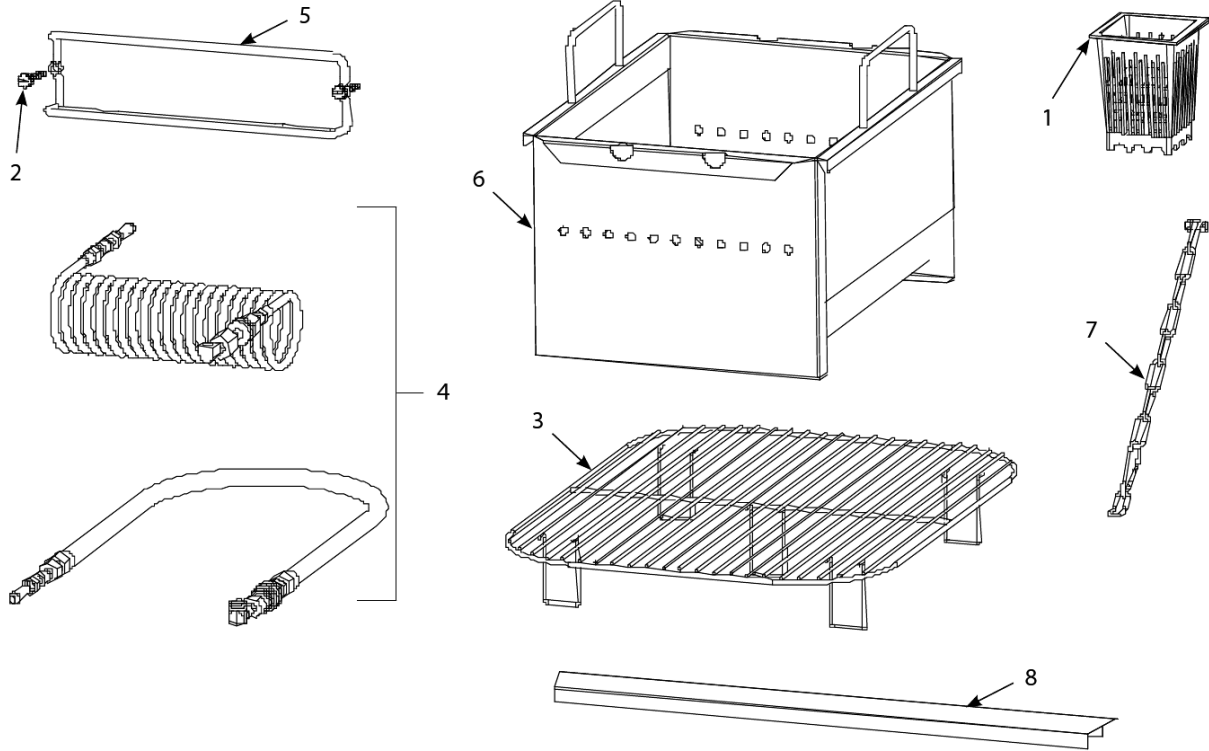


GSMS, GBC and GC Gas Cookers Models GSW, GWB

Accessories



GSMS, GBC and GC Gas Cookers Models GSW, GWB

Accessories

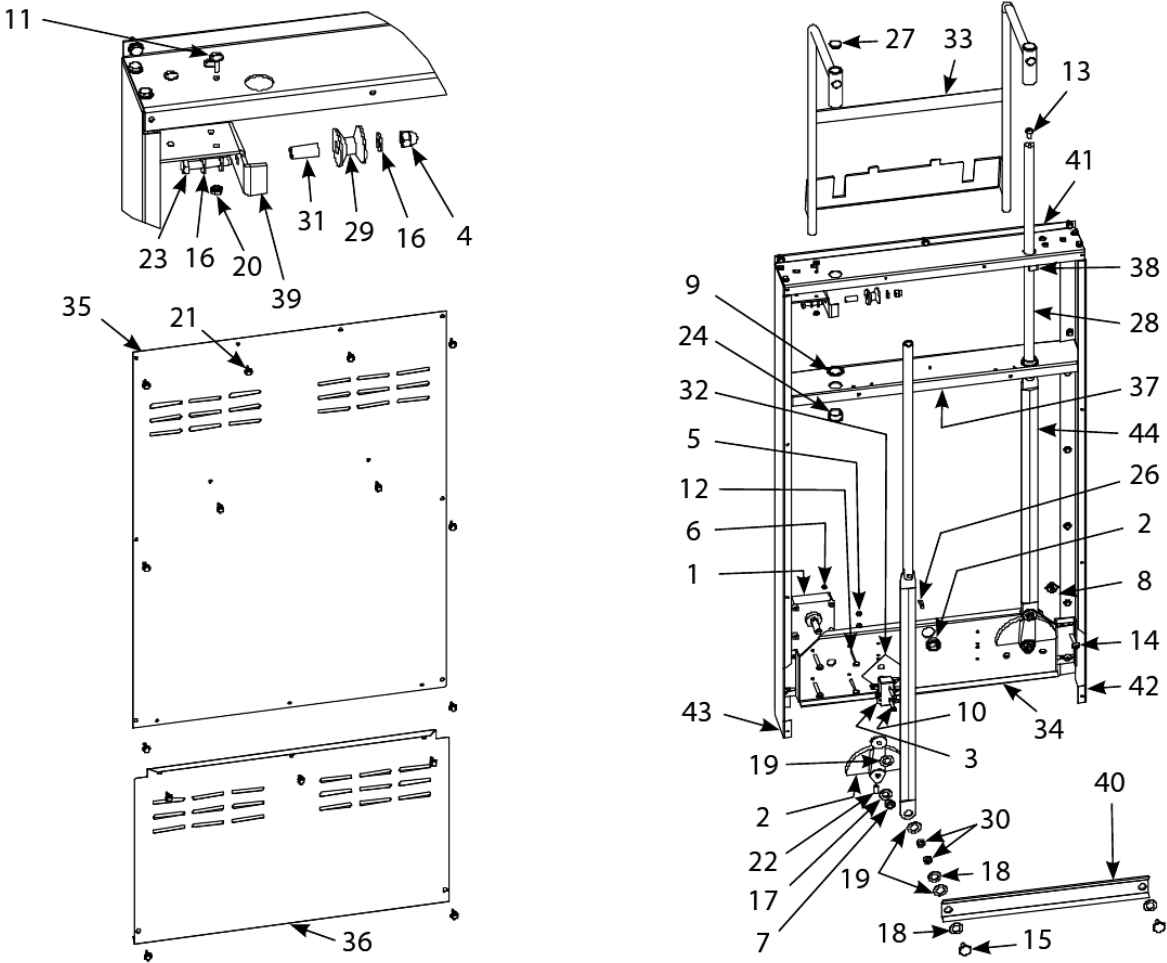
#	PART #	DESCRIPTION	QTY	Note
1	8030018	Cup, Single Pasta Portion	1	[1]
2	8102229	Hanger, Wire-Form Basket	1	
2a	8030028	Hanger AL (obsolete)	1	
3	8030205	Rack, Support	1	
4	8065848SP	Kit, Hose	1	[2]
5	8090171	Thumbscrew, 0.25-20 x 1.375-inch	1	
6	8231910	Basket, GSMS Bulk	1	
7	8260900	Kit, Chain Restraint	1	
8	9107540	Strip, GSMS Top Connecting	1	
9	8030200	Rack, 12 Portion Cup	1	
10	8030238	Basket, 5.5 x 8.5 SS Round Pasta	1	

PART NOTES:

- [1] - Beige
- [2] - Swirl and Straight w/Fittings

GSMS, GBC and GC Gas Cookers Models GSW, GWB

Basket Lift Components



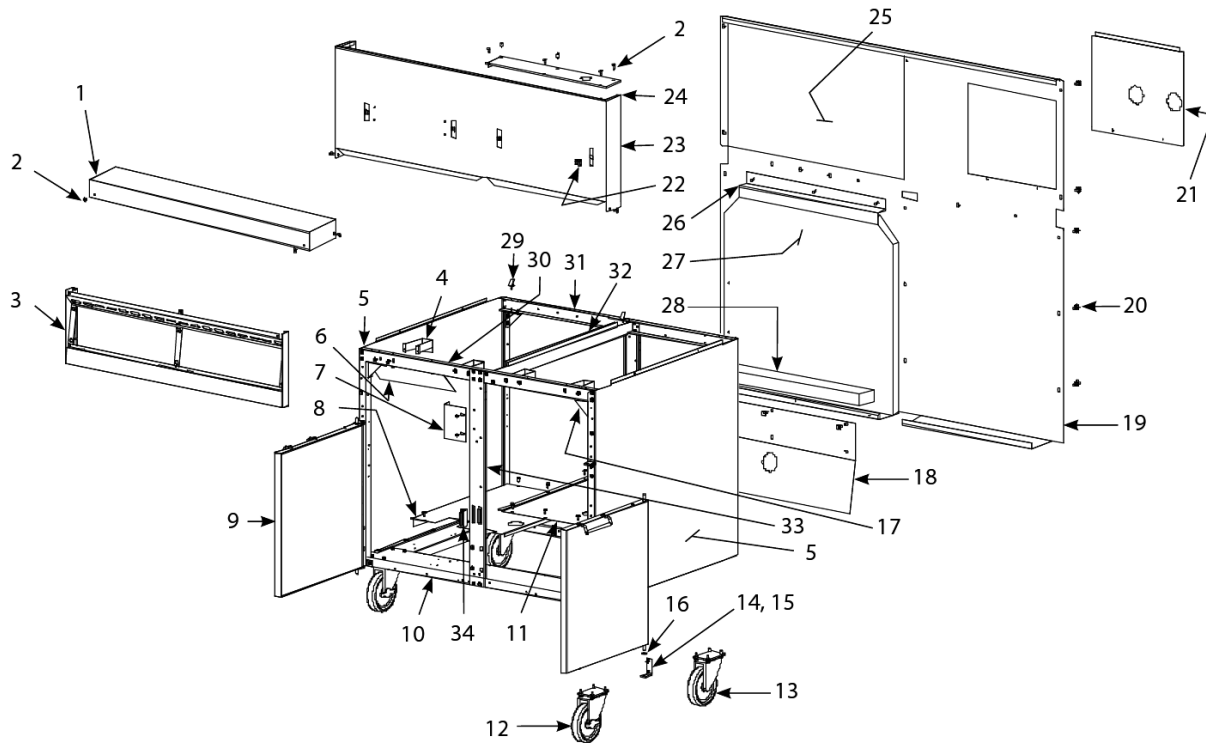
GSMS, GBC and GC Gas Cookers Models GSW, GWB

Basket Lift Components

#	PART #	DESCRIPTION	QTY	Note
1	8070107	Motor, Gear	1	
1a	8070108	Gearmotor - Basket Lift - 240V	1	
2	8070124	Bushing, Plastic	1	
3	8070240	Microswitch	1	
4	8090047	Nut, Cap- 0.25-20 High Profile S/S	1	
5	8261358	Nut, 6-32 Keps Hex	25	
6	8090050	Nut, 8-32 Hex	1	
7	8090063	Nut, Jam 0.375-16 Hex	1	
8	8090076	Nut, 0.25-20 x 0.75 Expansion	1	
9	8090082	Ring, Bushing Retainer	1	
10	8090097	Screw, 6-32 X 1-inch Slotted Truss Head	1	
11	8261363	Screw - #8-32 x 0.5" NP	25	
12	8090113	Screw, 2-32 X 1.5-inch Slotted Truss Head	1	
13	8090127	Screw, 0.25-20 X 0.5-inch Slotted Round Head	1	
14	8261370	Screw, 0.25-20 X 1.25-inch Slotted Round Head	1	
15	8090155	Leveling Screw	1	
16	8090190	Washer, .625 X .275 X 40 Flat SS	1	
17	8090196	Washer, 0.375-inch SAE Flat	1	
18	8090200	Washer, Flat	1	
19	8261381	Washer, Nylatron	10	
20	8090247	Nut - #8-32 Keps Hex	1	
21	8261374	Screw - #10 x 0.5" Hex Head	25	
22	8090480	Setscrew, 0.25-28 X 0.625-inch Hex Socket Head	1	
23	8090508	Bolt - 0.25-20 x 1.25"	1	
24	8130035	Bushing , Oiltite .640 I.D.	1	
2	8100052	Bellcrank and Cam	1	
26	8100170	Pin, Connecting	1	
27	8100172	Plug, 0.625-inch Stainless Steel Hole	1	
28	8100192	Rod, Basket Lift	1	
29	8100194	Roller, Basket Lift	1	
30	8100220	Spacer, Tubular, .493 OD	1	
31	8100374	Spacer, Basket Lift Roller	1	
32	8120138	Insulation, Paper	1	
33	8232007	Arm Assembly, GSMS/GBC Basket Lift	1	
34	9007416	Mount, Basket Lift Motor	1	
35	9007418	Back, Upper Basket Lift Enclosure	1	
36	9007419	Back, Lower Basket Lift Enclosure	1	
37	9007421	Support, Basket Lift Center	1	
38	9011927	Bracket, Left Basket Lift Roller	1	
39	9021927	Bracket, Right Basket Lift Roller	1	
40	9104525	Bar, Basket Lift Synchronizing	1	
41	9107420	Top, Basket Lift Enclosure	1	
42	9117417	Side, Basket Lift Enclosure	1	
43	9127417	Side, Basket Lift Enclosure	1	
44	9206076	Link, Basket Lift	1	

GSMS, GBC and GC Gas Cookers Models GSW, GWB

Cabinetry - GSMS and GSMS GBC Batteries



GSMS, GBC and GC Gas Cookers Models GSW, GWB

Cabinetry - GSMS and GSMS GBC Batteries

#	PART #	DESCRIPTION	QTY	Note
1	8240433	Topcap, GSMS	1	
1a	8240473	Topcap, GSMS/GBC Battery (for rinse tank on right)	1	
1b	8240921	Topcap, GSMS/GBC Battery (for rinse tank on left)	1	
2	8090266	Screw, 10 x 0.5-inch Phillips Head ZP	1	
3	8065487SP	Control Panel Assembly, GSMS	1	
4	9001759	Bracket, Pot Hold-Down	1	
5	9107377SP	Side, Left or Right Cabinet, Stainless Steel	1	
5a	9007377	Side, Left or Right Cabinet, Enameled Mild Steel	1	
6	9004651	Shield, Control Box Water	1	
7	9004644	Mount, GSMS Control Box	1	
8	9008631	Shield, Cookpot-side Vapor	1	
9	8069744	Door Assembly (does not include handle)	1	
9a	1064067SP	Door Pin Assembly	1	
9b	8261343	Spring - Door Pin Hinge	10	
9c	8101402	Handle, Wireform Door	1	
10	8065488SP	Base Assembly, GSMS	1	
10a	8065209SP	Leg Pad	1	
10b	900720-FRY	Channel, Front or Rear Base	1	
10c	9007528	Channel, Left or Right Base	1	
11	9008632	Shield, Rinse Tank-side Vapor	1	
12	8261118	Caster, 5" Swivel w/Brake	1	
13	8261117	Caster, 5" Swivel w/o Brake	1	
14	8101508	Hinge, Universal Door	1	
15	8261371	Screw - #8 x 0.5" Hex Head ZP	25	
16	8090193	Flat Washer - 0.25" Nylon	1	
17	9001552	Gusset	1	
18	9004645	Shield, Basket Lift Heat	1	
19	9007422SP	Back, Cabinet	1	
19a	2002264	Back, Cabinet (for rinse tank on left)	1	
20	8261374	Screw - #10 x 0.5" Hex Head	25	
21	9001750	Cover, Faucet Connection Access	1	
22	8261351	Nut Retainer, 0.25-20 Std. Fluecap	10	[1]
23	8066010SP	Flue Cap & Insulation Assembly, GSMS (for rinse tank on right)	1	
23a	1061603	Flue Cap & Insulation Assembly, GSMS (for rinse tank on left)	1	
23b	8232108	Flue Cap, GSMS	1	
23c	8233451	Flue Cap, GSMS (for rinse tank on left)	1	
23d	8160169	Insulation, 8.5-inch x 18-inch GSMS Flue	1	
23e	9101181	Retainer, Flue Cap Insulation	1	
23f	8090053	Nut, 10-32 Hex	1	
24	9104646	Mount, Faucet	1	
25	8160158	Insulation, 18.25-inch x 10.7-inch x .25-inch Cabinet Back	1	
26	9004521	Retainer, Cabinet Back Insulation	1	
27	8160170	Insulation, Cabinet Back	1	
28	8121142	Insulation, Cabinet Back	1	
29	9001932	Retainer, GSMS Flue Insulation	1	

GSMS, GBC and GC Gas Cookers Models GSW, GWB

Cabinetry - GSMS and GSMS GBC Batteries

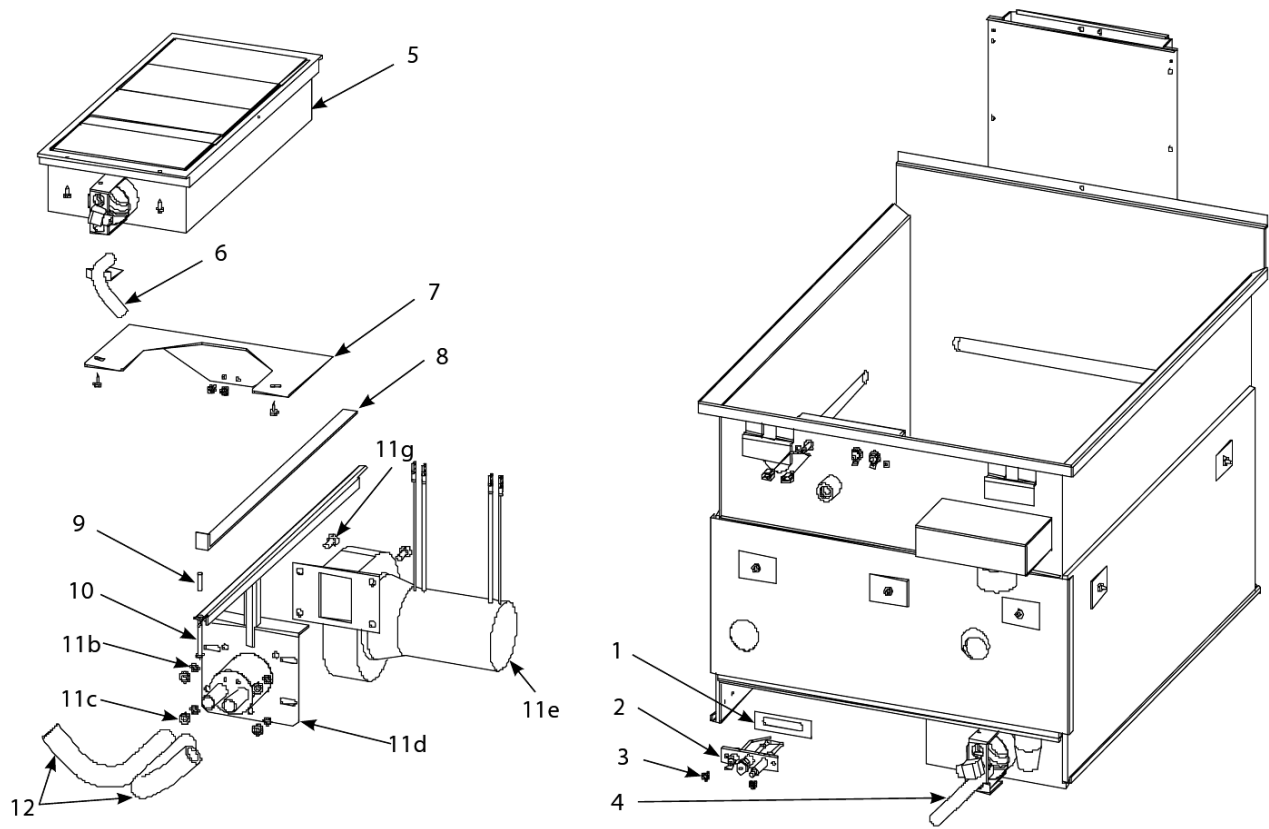
#	PART #	DESCRIPTION	QTY	Note
30	9007390	Brace, Top Front	1	
31	9007389SP	Brace, Top Rear	1	
32	9007391	Divider, Cabinet	1	
33	9007198	Post, Door	1	
34	8101105	Door Magnet - Vertical	1	
34a	2002484	Magnet, Door (bracket for units with rinse tank on left)	1	

PART NOTES:

[1] - for use on standard fluecap

GSMS, GBC and GC Gas Cookers Models GSW, GWB

Combustion System Components



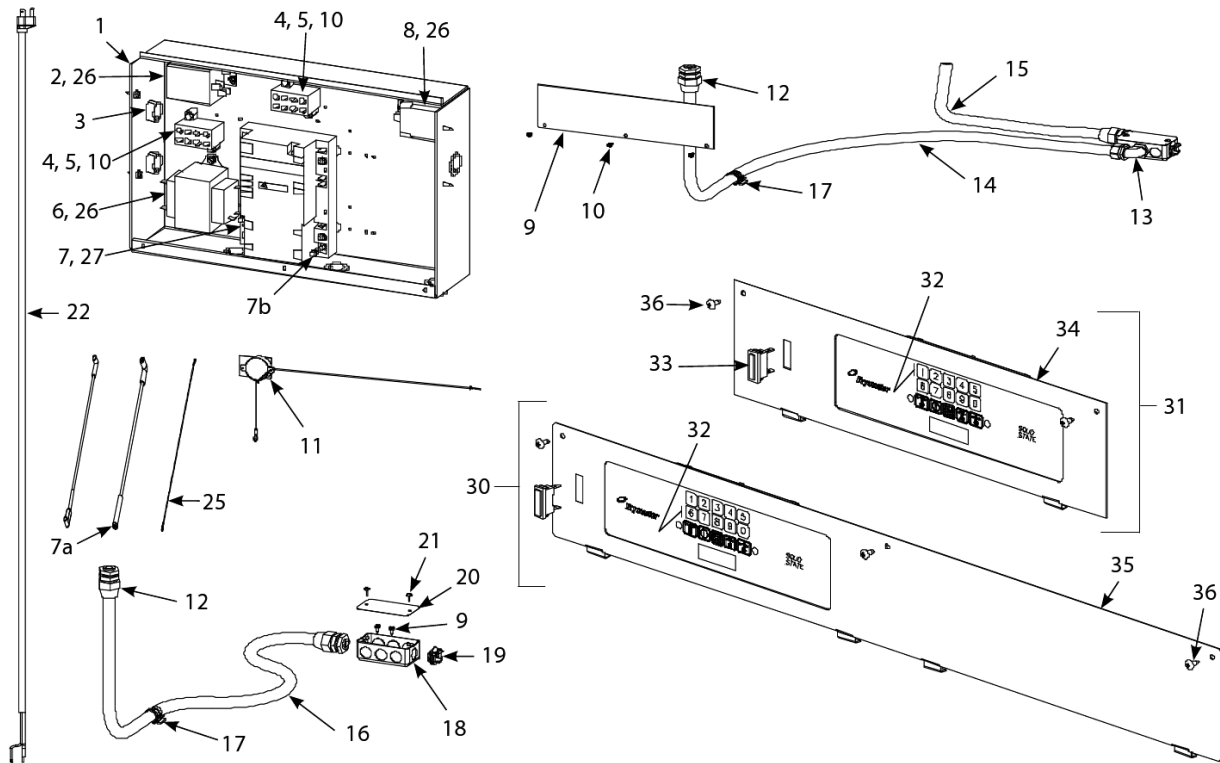
GSMS, GBC and GC Gas Cookers Models GSW, GWB

Combustion System Components

#	PART #	DESCRIPTION	QTY	Note
1	8160165	Insulation, GSMS/GBC/GC Ignitor	1	
2	8100521	Ignitor, Natural Gas	1	
2a	8100608	Ignitor, Propane Gas	1	
2b	8100923	Ignitor, Manufactured Gas	1	
3	8261371	Screw - #8 x 0.5" Hex Head ZP	25	
4	8232685	Bracket and Tube Assembly, Right Air Hose	1	
5	8065563SP	Burner Assembly, Natural Gas w/3.26mm Orifice	1	
5a	8100916	Orifice, Natural Gas, 3.26mm	1	
5b	8065499SP	Burner Assembly, Natural Gas w/3.05mm Orifice	1	
5c	8100465	Orifice, Natural Gas w/3.05mm	1	
5d	8065564SP	Burner Assembly, Propane Gas w/2.00mm Orifice	1	
5e	8100917	Orifice, Propane Gas w/2.00mm	1	
5f	8065583SP	Burner Assembly, Manufactured Gas w/4.92mm Orifice	1	
5g	8100924	Orifice, Manufactured Gas w/4.92mm	1	
5h	8101382	Burner Assembly, Natural or Propane Gas Burner w/o Orifice	1	
5i	8101385	Burner Assembly, Manufactured Gas Burner w/o Orifice	1	
6	8232526	Bracket and Tube Assembly, Left Air Hose	1	
7	9005525	Bracket, Blower Support	1	
8	8160055	Insulation, Blower Mount	1	
9	8100507	Spacer, .23-inch x .75-inch	1	
10	8090441	Screw, 8 x 1.5-inch Hex Washer Head	1	
11	8065259SP	Motor and Mount Assembly - 120V/60 Hz	1	
11a	8065574SP	Complete motor and mount assembly (230VAC 50/60 Hz)	1	
11b	8090191	Washer, Lock 0.25 Spring ZP	1	
11c	8261362	Nut - 0.25"-20 Hex	10	
11d	8232528	Mount, Blower	1	
11e	8071564	Motor, Blower, 120VAC/60 Hz	1	
11f	8071712	Motor, Blower, 230VAC 50/60 Hz	1	
11g	8090433	Screw, 0.25-20 x 0.75-inch Slotted Flat Head	1	
12	8160278	Hose, 0.625-inch Air	1	

GSMS, GBC and GC Gas Cookers Models GSW, GWB

Control Box ,Controllers, Control Panel and Related Components



GSMS, GBC and GC Gas Cookers Models GSW, GWB

Control Box ,Controllers, Control Panel and Related Components

#	PART #	DESCRIPTION	QTY	Note
1	9007532	Box, Control	1	[1]
1a	8263271	Ignition Module	1	
2	8071396	Relay, 24VDC SPDT	1	[2]
3	8100045	Bushing, .875 Dia. Hole 0.6875"	1	
4	8070067	Terminal Block, 8-Pin	1	
5	8070255	Jumper, Double	1	
6	8070800	Transformer, 100-120V/24V 50VA Filter and MIB	1	
6a	8070680	Transformer, 208V, 50/60Hz -24V 20VA	1	
7	8073366	Ignition Module, Dual-Spark Full-Vat	1	
7a	8071709	Cable, Ignition, requires a RAJAH connector	1	[3]
7b	8073484	Connector, Rajah	1	[4]
8	8070670	Relay, 24V DPDT	1	[5]
9	9001924	Guard, Finger	1	
10	8261371	Screw - #8 x 0.5" Hex Head ZP	25	
11	8071713	Sound Device	1	[6]
12	8071292	Fitting, Plastic Conduit	1	
13	8071319	Connector, 90° #5252	1	
14	8121193	Conduit, 0.5-inch x 53-inch Flexible Plastic	1	
15	8121187	Conduit, 0.5-inch x 18-inch Flexible Plastic	1	
16	8121192	Conduit, 0.5-inch x 47-inch Flexible Plastic	1	
17	8090290	Clamp, Cable	1	
18	8070170	Box, Electrical Handy	1	
19	8071612	Clamp, 0.375-inch Strain Relief	1	
20	9008016	Cover, Electrical Handy Box	1	
21	8261363	Screw - #8-32 x 0.5" NP	25	
22	8070154	Power Cord - 120V w/Ground Plug	1	
22a	8071685	Power Cord - 450V - 18A - 110-inch, 3-wire, 16-gauge	1	
25	8065316SP	Flame Sensor Wire Assembly, 20-inch High Temperature	1	
26	8090362	Screw, 8 x 1.25-inch Hex Washer Head Drill Point	1	
27	8090441	Screw, 8 x 1.5-inch Hex Washer Head	1	
29	8065632	Wiring Assembly, 120VAC GBC (Includes conduit, handy box, and fittings.)	1	
29a	WIR0583SP	Wiring Assembly, GSMS/GBC/GC (Controller Harness)	1	
30	1060376	Control Panel and Controller Assembly, GSMS (lamp not included), Full Featured	1	
30a	1060379	Control Panel and Controller Assembly, GSMS (lamp not included), w/o Autoskim	1	
30b	1060380	Control Panel and Controller Assembly, GSMS (lamp not included), w/o Autofill or Autoskim	1	
31	1060377	Control Panel and Controller Assembly, GBC/GC (lamp not included), Full Featured	1	
31a	1060381	Control Panel and Controller Assembly, GBC/GC (lamp not included), w/o Autoskim	1	
31b	1060382	Control Panel and Controller Assembly, GBC/GC (lamp not included), w/o Autofill or Autoskim	1	
32	1060376	Control Panel and Controller Assembly, GSMS (lamp not included), Full Featured	1	
32a	1060379	Control Panel and Controller Assembly, GSMS (lamp not included), w/o Autoskim	1	

GSMS, GBC and GC Gas Cookers Models GSW, GWB

Control Box ,Controllers, Control Panel and Related Components

#	PART #	DESCRIPTION	QTY	Note
32b	1060380	Control Panel and Controller Assembly, GSMS (lamp not included), w/o Autofill or Autoskim	1	
33	8071704	Lamp, 24VAC Vertical Trouble	1	
34	8232012	Panel, GBC/GC Control	1	
35	8231993	Panel, GSMS Control	1	[7]
35a	8233331	Panel, GSMS Control (with rinse tank on left)	1	
36	8090266	Screw, 10 x 0.5-inch Phillips Head ZP	1	

Note: Control box assemblies on units manufactured before October 2000 were built with two single-spark ignition modules (P/N 8071006).

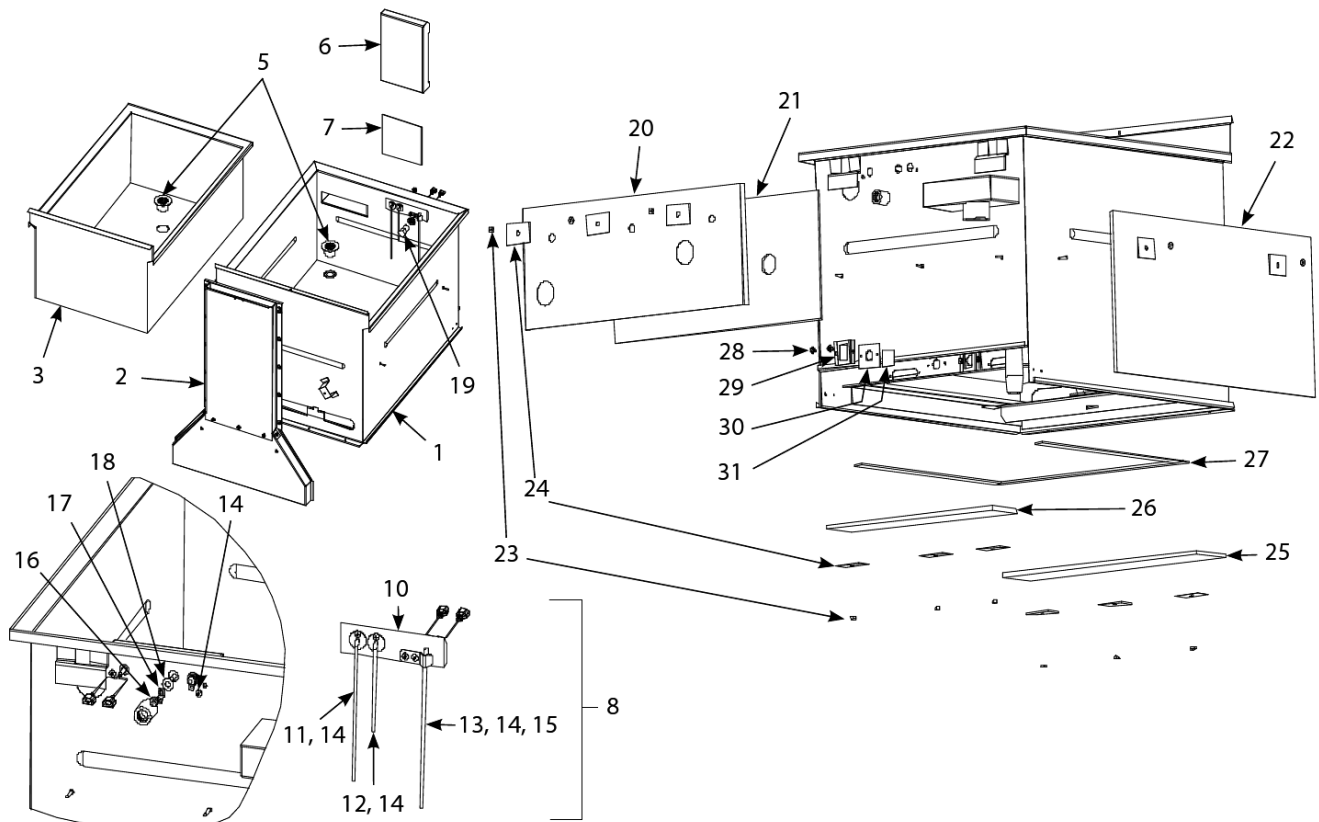
The two ignition modules can be replaced with the dual spark version - when converting to a single module, order two of the single module ignition cables

PART NOTES:

- [1] - after October 2000
- [2] - Basket Lift Relay – GSMS and GBC units only
- [3] - Item 7b
- [4] - non fused ignition modules
- [5] - Heat Relay – all units
- [6] - Alarm
- [7] - with rinse tank on right

GSMS, GBC and GC Gas Cookers Models GSW, GWB

Cookpot, Rinse Tank and Associated Components



GSMS, GBC and GC Gas Cookers Models GSW, GWB

Cookpot, Rinse Tank and Associated Components

#	PART #	DESCRIPTION	QTY	Note
1	8234090SP	Cookpot, GSMS	1	
1a	8234227SP	Cookpot, GSMS	1	[1]
2	8065497SP	Flue Assembly, GSMS	1	
3	8231994SP	Tank, GSMS Rinse	1	
4	1062797SP	Complete Burner, Frypot, Flue Auto Fill assembly, NAT	1	
4a	1062798SP	Complete Burner, Frypot, Flue Auto Fill assembly, PRO	1	
4b	1086907	Complete Burner, Frypot, Flue Manual Fill assembly, NAT	1	
5	8232022	Strainer Assembly	1	
6	8232791	Cover, Probe Block	1	[2]
6a	8231942	Cover, Probe Block	1	[3]
7	8160160	Insulator, 5.25-inch x 5.00 Probe Cover	1	
8	8069365SP	Probe Block Assembly, Complete, Angled top, for use on units without Autofill option.	1	
8a	8069366SP	Probe Block Assembly, Complete, Angled top, for use on units with Autofill option.	1	
8b	1063084SP	Probe Block Assembly, Complete, Angled top, for use on units with manual fill.	1	
8c	8261082	Probe Block Assembly, Complete, Flat top w/pins, for use on units without Autofill option.	1	
8d	8261081	Probe Block Assembly, Complete, Flat top w/pins, for use on units with Autofill option.	1	
9	8101212	Pin, .125 X .5-inch Split	1	
10	8101697	Block, Probe	1	[2]
10a	8100821	Block, Probe (flat-topped block)	1	
11	8231920	Sensor, Low Water Level	1	
12	8231921	Sensor, Normal Water Level	1	
13	8064764	Probe Assembly, Temperature	1	
14	8090357	Screw, 6 x 0.375-inch Phillips Head NP	1	
15	9101804	Bracket - Probe Retainer	1	
16	8261376	Nut - #10-32 Keps Hex	10	
17	8261337	Tab, 0.25-inch Terminal	5	
18	8090193	Flat Washer - 0.25" Nylon	1	
19	8100976	Nozzle, Water Inlet	1	
20	9004563	Retainer, Cookpot Front Insulation (19.7-inches x 7.5-inches)	1	
21	8160152	Insulation, Cookpot Front (19.5-inches x 7.5-inches x .25-inches)	1	
22	8160153	Insulation, Cookpot Side (10-inches x 24-inches x .25-inches)	1	
23	8090053	Nut, 10-32 Hex	1	
24	9001762	Retainer, Insulation	1	
25	8160145	Insulation, Front Bottom	1	
26	8160166	Insulation, Rear Bottom	1	
27	8120357	Insulation, HE Burner	1	
28	8261371	Screw - #8 x 0.5" Hex Head ZP	25	
29	9001031	Retainer, Burner Sight Glass	1	
30	8160053	Insulation, Sight Glass	1	
31	8140048SP	Glass, Burner Sight	1	

GSMS, GBC and GC Gas Cookers Models GSW, GWB

Cookpot, Rinse Tank and Associated Components

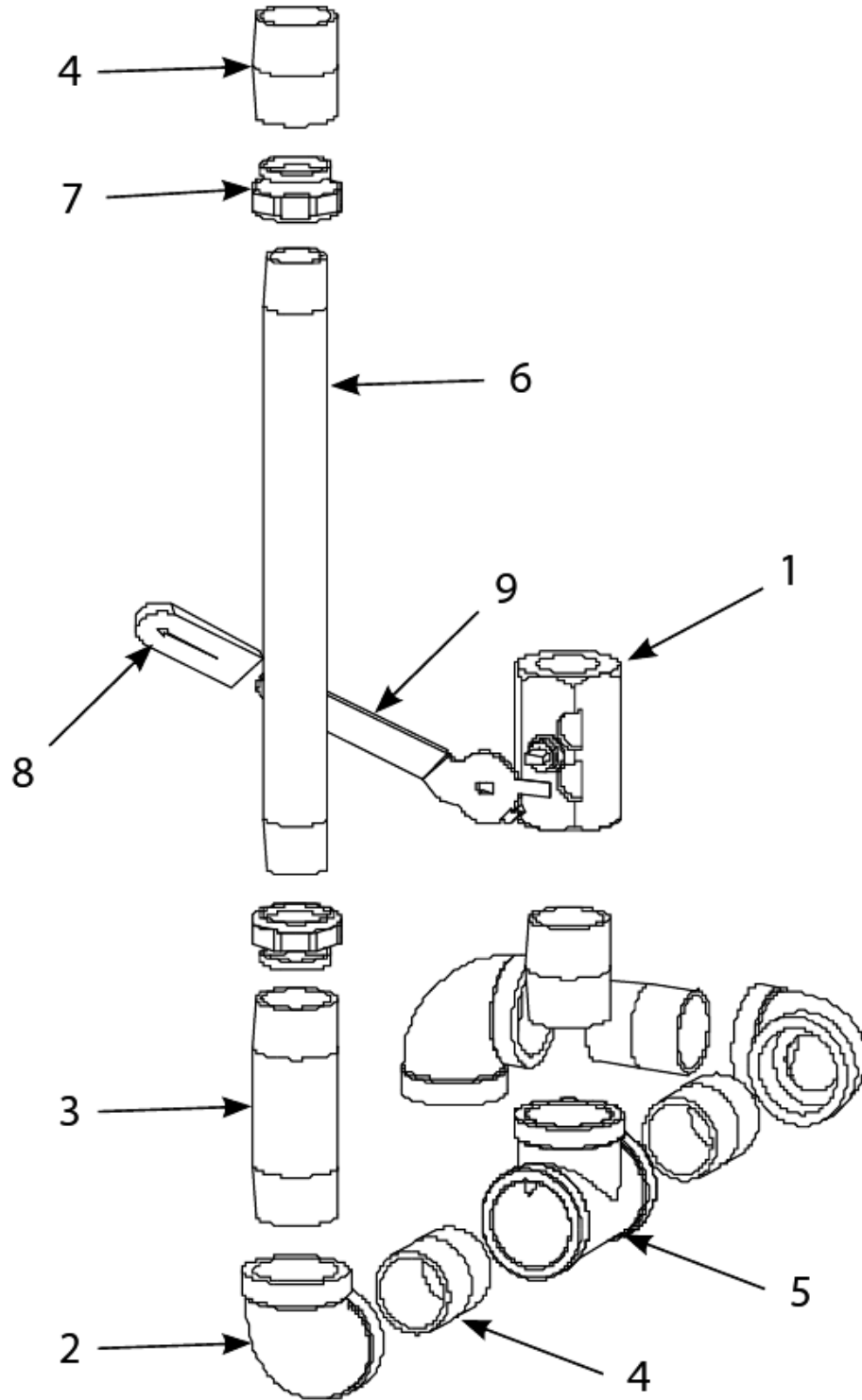
#	PART #	DESCRIPTION	QTY	Note
---	--------	-------------	-----	------

PART NOTES:

- [1] - units with manual fill
- [2] - angled top
- [3] - flat-topped block

GSMS, GBC and GC Gas Cookers Models GSW, GWB

Drain Components



GSMS, GBC and GC Gas Cookers Models GSW, GWB

Drain Components

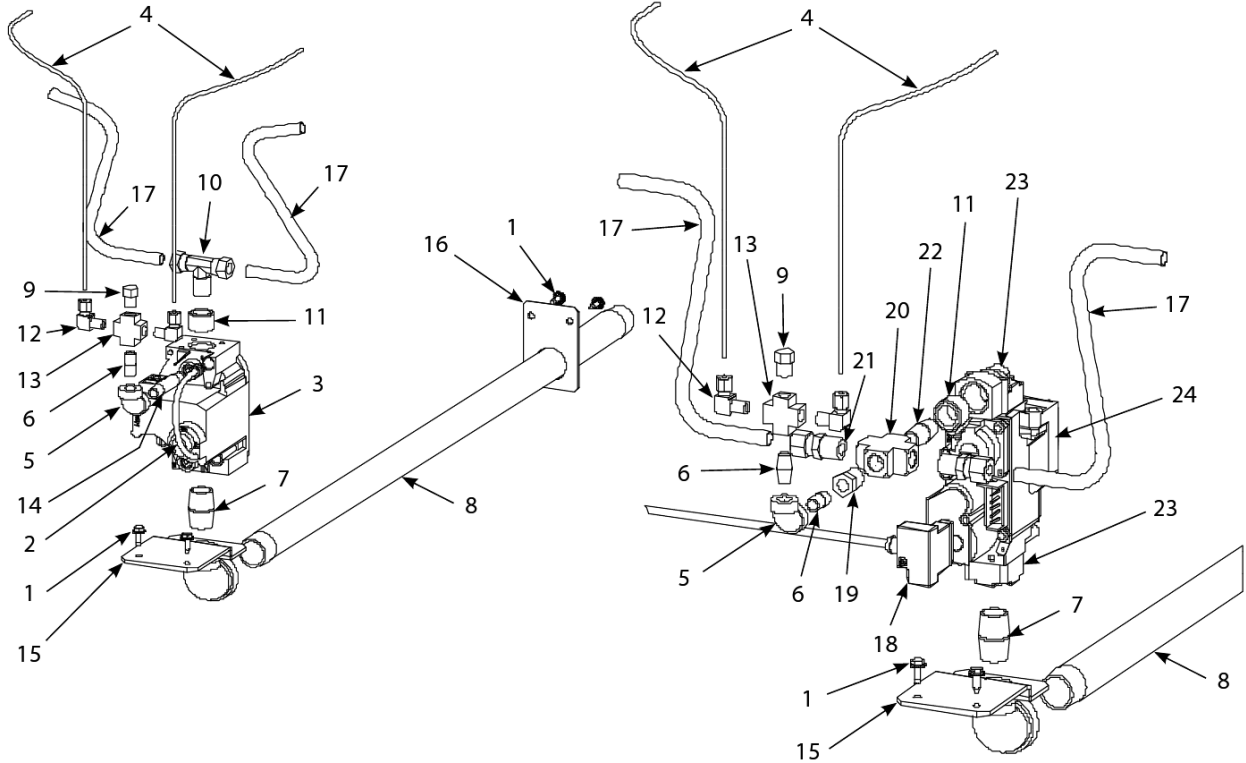
#	PART #	DESCRIPTION	QTY	Note
1	8101825	Valve, 1.25-inch x 1.25-inch SS Drain	1	
2	8130070	Elbow, 1.25-inch X 90°	1	
3	8130146	Nipple, 1.25-inch NPT x 4.25-inch BM	1	
4	8130391-FRY	Nipple - 1.25" x Close NPT	1	
5	8130394	Tee, 1.25-inch NPT BM	1	
6	8130451	Nipple, 1.25-inch NPT x 12-inch Chromed Brass	1	
7	8130453	Nut, 1.25-inch NPT Chromed SS Slip	1	
8	8140047	Cap, Vinyl Red	1	[1]
9	9109527	Handle, Drain Valve	1	

PART NOTES:

[1] - red, w/logo

GSMS, GBC and GC Gas Cookers Models GSW, GWB

Gas Supply System Components



GSMS, GBC and GC Gas Cookers Models GSW, GWB

Gas Supply System Components

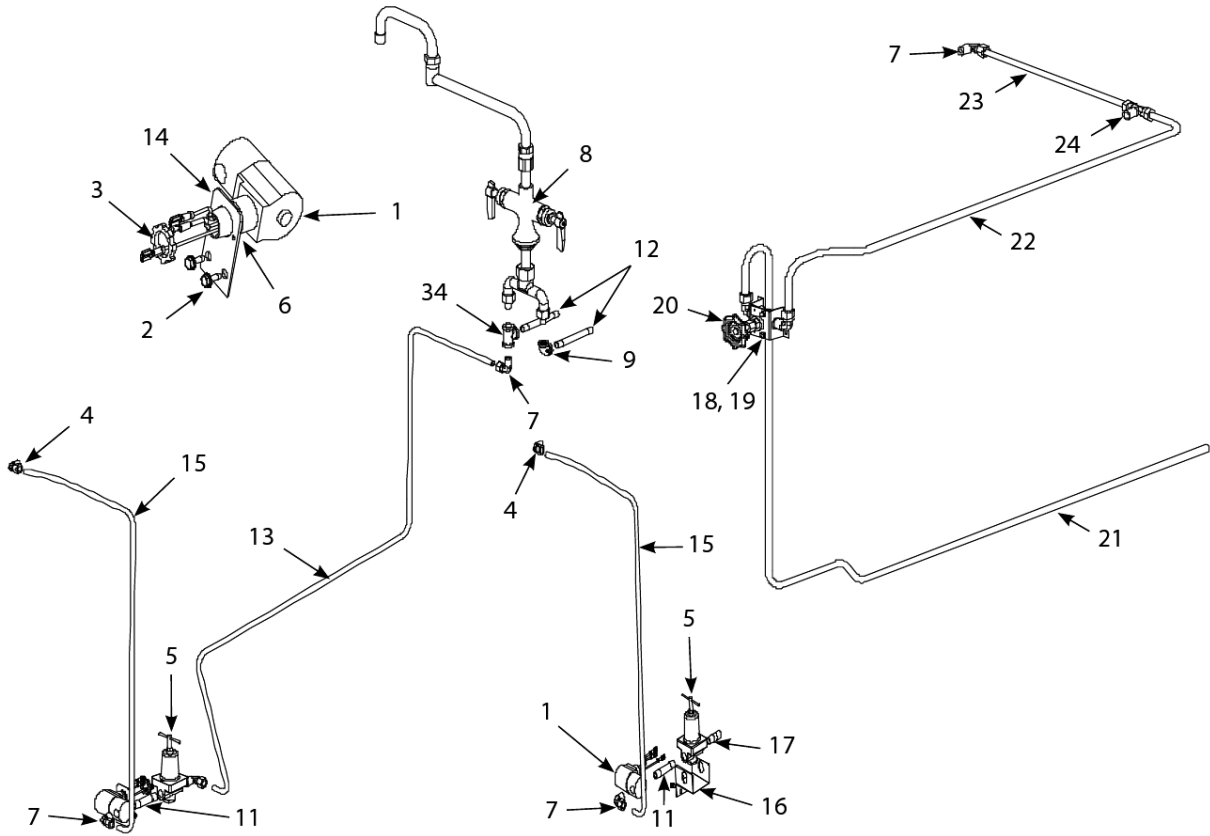
#	PART #	DESCRIPTION	QTY	Note
1	8261374	Screw - #10 x 0.5" Hex Head	25	
2	8100691	Tube, 0.125-inch Vent	1	
3	8261122	Valve, Non-CE, Natural Gas G20, G25	1	
3a	8261123	Valve, Non-CE, Propane Gas G30, G31	1	
4	8110800	Enrichment Tube, 12.5-inch	1	
5	8130004	Elbow, 90° x 0.125-inch NPT	1	
6	8130016	Nipple, 0.125-inch NPT Close	1	
7	8130022	Nipple, 0.5" Close NPT BM	1	
8	8130137	Nipple, 0.75-inch NPT BM, 28.5-inch	1	[1]
8a	8130257	Nipple, 0.75-inch NPT BM, 24.5-inch	1	
9	8130154	Plug, 0.125-inch NPT Hex Head Pipe	1	
10	8130301-FRY	Tee, 0.25-inch Male NPT to 0.375-inch Tube	1	
10a	8100926	Tee, Manufactured Gas (MFG)	1	
11	8130304	Bushing, 0.5-inch NPT to 0.25-inch NPT Flush Reducing	1	
12	8130354	Elbow, 0.125-inch NPT X 0.125-inch Tube Compression	1	
13	8130378	Fitting, 0.125-inch NPT Cross	1	
14	8130405	Nipple, 0.125-inch NPT x 2-inch	1	
15	8232004	Mount, Front Gas Line	1	
16	9004642	Hanger, Rear Gas Line	1	
17	9004643	Tube, 0.375-inch Aluminum Gas	1	
17a	9001945	Tube, Manufactured Gas (MFG)	1	
18	8069678SP	Plug Assy, CE Gas Valve	1	
19	8101006	Bushing, 0.25-inch NPT to 0.125-inch NPT Reducing	1	
20	8130567	Fitting, 0.25-inch NPT Female Cross	1	
21	8101025	Connector, 0.25-inch Male NPT to 0.375-inch Tube	1	
22	8130077	Nipple, 0.25-inch NPT x Close Galvanized	1	
23	8101041	Gas valve accessory kit	1	
24	8101715	Valve, CE Gas G20, G25, G30, G31	1	[2]

PART NOTES:

- [1] - used on GSMS units
- [2] - Natural or Propane

GSMS, GBC and GC Gas Cookers Models GSW, GWB

Water Supply System Components



GSMS, GBC and GC Gas Cookers Models GSW, GWB

Water Supply System Components

#	PART #	DESCRIPTION	QTY	Note
1	8065565	Valve Assembly, Solenoid	1	
2	8261374	Screw - #10 x 0.5" Hex Head	25	
3	8090454	Nut, 0.5-inch Conduit	1	
4	8100907	Elbow, 0.375-inch NPT Compression	1	
5	8101208	Valve, Pressure Regulator	1	
6	8130022	Nipple, 0.5" Close NPT BM	1	
7	8130302	Elbow, 0.25-inch Male NPT to 0.375-inch Tube 90°	1	
8	8130412	Faucet, Double-Jointed Pantry	1	
9	8130448	Elbow, 0.25-inch NPT Brass	1	
10	8130449	Tee, 0.25 -inch NPT Brass	1	
11	8130472	Nipple, 0.25-inch NPT x 2.5-inch Brass	1	
12	8130473-FRY	Nipple, 0.25-inch NPT x 4.0-inch Brass	1	
13	9001898	Tubing, Pressure Regulator to Faucet	1	
14	9001905	Mount, Solenoid Valve Assembly	1	
15	9102513	Tubing, Solenoid to Cookpot	1	
16	9002916	Bracket, Pressure Regulator	1	
17	8130471	Nipple, 0.25-inch NPT x 1.5-inch	1	
18	2005094	Bracket, Water Valve	1	
19	8090359	Screw, 8 x 0.25-inch Hex Washer Head	1	
20	8102641	Valve, 0.375-inch Water	1	
21	8102648	Tube, Water Inlet	1	
22	8102649	Tube, Water Outlet	1	
23	8102650	Tube, Cookpot Water	1	
24	8130301-FRY	Tee, 0.25-inch Male NPT to 0.375-inch Tube	1	