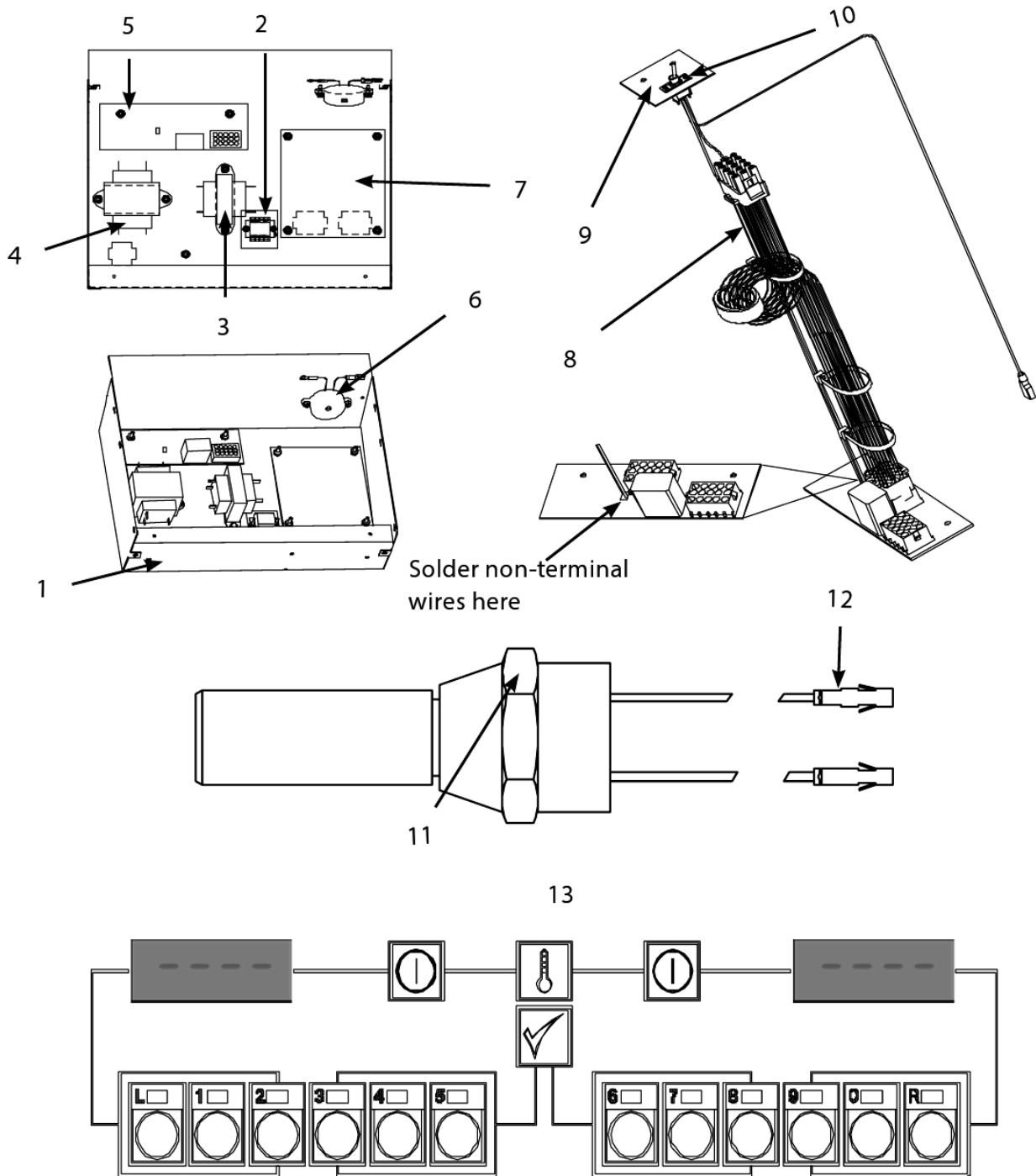


H20.5 Series Electric Fryers

Component Box Assembly and Associated Hardware, Thermostats and Related Components and Controller



Component Box Assembly and Associated Hardware, Thermostats and Related Components and Controller

H20.5 Series Electric Fryers

Component Box Assembly and Associated Hardware, Thermostats and Related Components

and Controller

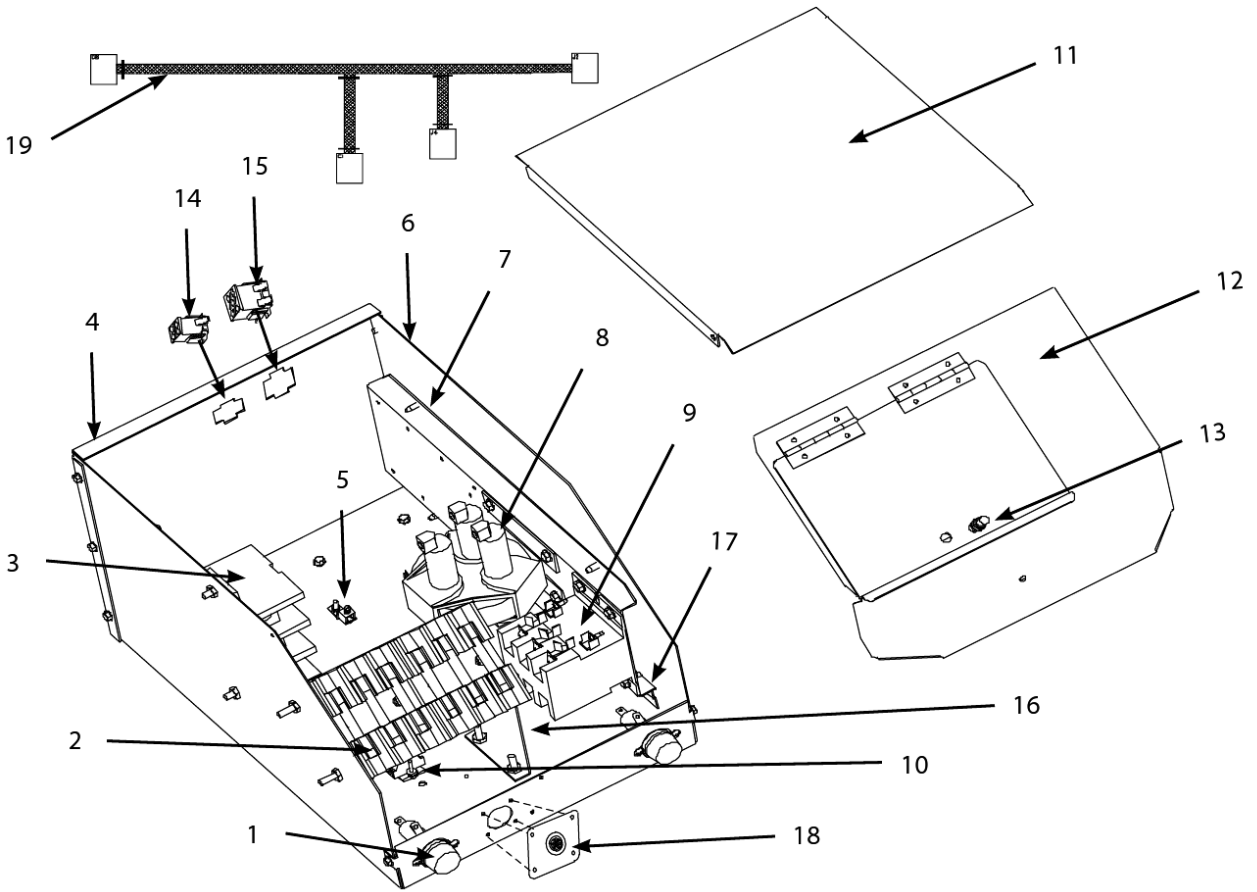
#	PART #	DESCRIPTION	QTY	Note
1	8068303	Box, Component	1	
2	8069495	Terminal Block	1	
2a	8160217	Insulation, Terminal Block Paper	1	
3	8070979	Transformer, 208V/240V/12V	1	
4	8070680	Transformer, 208V, 50/60Hz -24V 20VA	1	
5	8068469	Interface Board, Fallback Controller	1	[1]
6	8067179	Sound Device	1	
7	8067965	Interface Board, Full-vat	1	
8	8068294	Cable Assembly, Fallback Controller	1	
9	9101328	Mounting Plate - Controller Switch	1	[1]
10	8068524	Switch, Fallback Controller	1	[1]
11	8068035SP	High-limit Thermostat	1	
12	8261332	Terminal, Female Disconnect Pin	1	[2]
13	1061207	Computer Magic III.5- In-N-Out	1	

PART NOTES:

- [1] - Optional and Older Units
- [2] - Qty: 25

H20.5 Series Electric Fryers

Contactors and Related Components



Contactors and Related Components

H20.5 Series Electric Fryers

Contactorm Box and Related Components

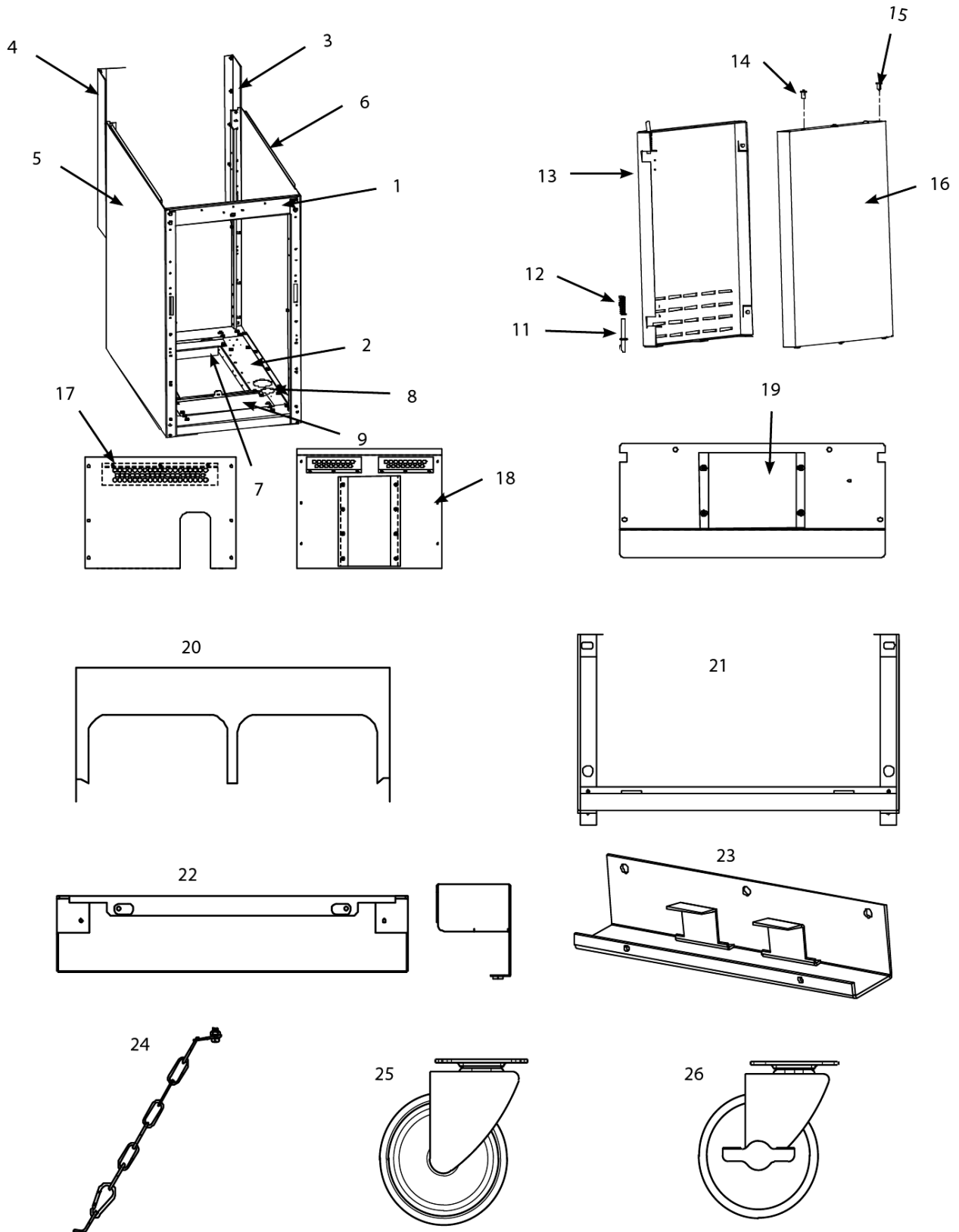
#	PART #	DESCRIPTION	QTY	Note
1	8070922	Holder, Bus Fuse	1	
1a	8072278	Fuse, 20 Amp	1	
2	8070501	Fuseholder block	1	
3	8072464	Power Block, Delta	1	
3a	8072240	Fuse, 60 AMP 300VAC	1	
4	9005572	Back, Contactorm Box	1	
5	8070070	Terminal, Ground Lug	1	
6	9005573	Box, Contactorm	1	
7	9005443	Rail, Contactorm Box	1	
8	8070884	Contactorm, Mercury- 240VAC 50-Amp	1	[1]
9	8101202	Contactorm, 24V 40 Amp Mechanical	1	
10	8101164	Block, One-Piece Screwless Terminal	1	
10a	8160217	Insulation, Terminal Block Paper	1	
11	9005132	Cover, Upper—Contactorm Box	1	
12	8232553	Cover, Swing—Contactorm Box	1	
13	8101396	Compression Latch, Adjustable	1	
14	8067188SP	Wire Assembly, HV Left FV H22 Contactorm	1	
15	8067184SP	Wire Assembly, HV Right FV H22 Contactorm	1	
15a	8068341SP	C1 Wiring Assembly – Contactorm Box Wire Harness	1	
15b	WIR0192	Wire Assembly, Delta	1	
16	9002865	Support, Fuse Block	1	
17	9005555	Flange, Rail—Contactorm Box	1	
18	8072596	7-Pin Receptacle	1	
19	8072592	Wire Harness-Main	1	

PART NOTES:

[1] - Watlow or Durakool

H20.5 Series Electric Fryers

Control Panel Assemblies, Top Caps/Tilt Housings, Cabinet Assemblies, Casters and Associated



Control Panel Assemblies, Top Caps/Tilt Housings, Cabinet Assemblies, Casters and Associated Hardware

H20.5 Series Electric Fryers

Control Panel Assemblies, Top Caps/Tilt Housings, Cabinet Assemblies, Casters and Associated

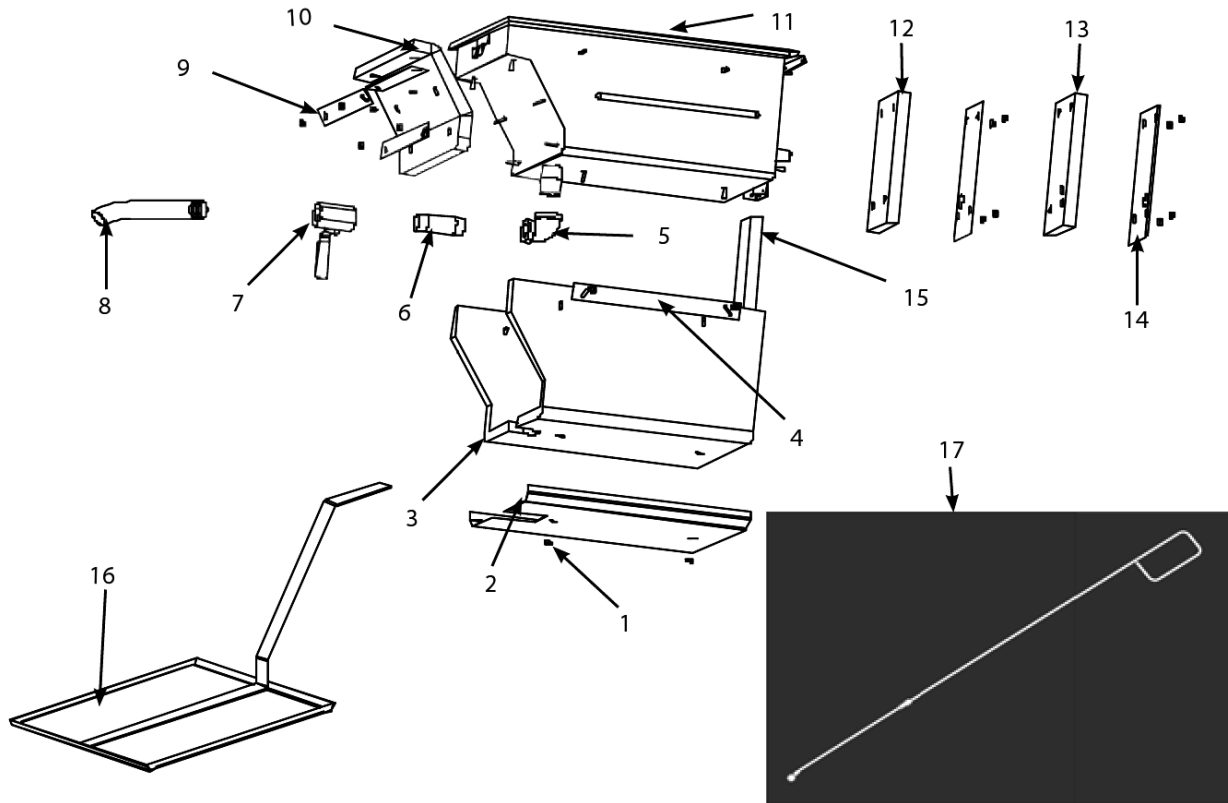
#	PART #	DESCRIPTION	QTY	Note
1	9002981	Rail, Front Top	1	
2	8067714	Base Assembly, Single	1	
3	8068277	Upright and Nutsert Assembly, Left	1	
4	8068295	Upright and Nutsert Assembly, Right	1	
5	8068296	Side, Cabinet—Right	1	
6	8068297	Side, Cabinet—Left	1	
7	9002983	Support, Rear Contactor Box	1	
8	9002984	Support, Front Contactor Box	1	
9	9005020	Guard, Splash	1	
11	1064067SP	Door Pin Assembly	1	
12	8261343	Spring - Door Pin Hinge	1	
12a	8090413	Spacer, Door Post (0.25-inch ID x 4mm nylon washer)	1	[1]
12b	8101508	Hinge, Universal Door	1	
13	9005457	Liner, Door	1	
14	8261379	Screw, #10 X 0.5-inch Phillips Truss Head	1	
15	8090545	Clip, Nylon	1	
16	8240608	Panel, Door	1	
16a	8101422	Handle, Wireform Door	1	
16b	8101105	Door Magnet - Vertical	1	
17	8068298	Back, Lower	1	[2]
18	8068288	Back, Center, Rubber Bumper & Holddown Bar	1	
19	8068287	Back, Upper, Rubber Bumper & Holddown Bar	1	
20	8240594	Tilt Housing	1	
21	8067713	Control Panel Assembly	1	
22	8232555	Top Cap	1	
23	8232568	Support, Top Cap	1	
24	8260900	Kit, Chain Restraint	1	
25	8100356	Caster without Brake - 5"	1	
26	8100357	Caster with Brake - 5"	1	

PART NOTES:

- [1] - 0.25-inch ID x 4mm nylon washer
- [2] - Vent Cover

H20.5 Series Electric Fryers

Frypot Assembly and Related Components



Frypot Assembly and Related Components

H20.5 Series Electric Fryers

Frypot Assembly and Related Components

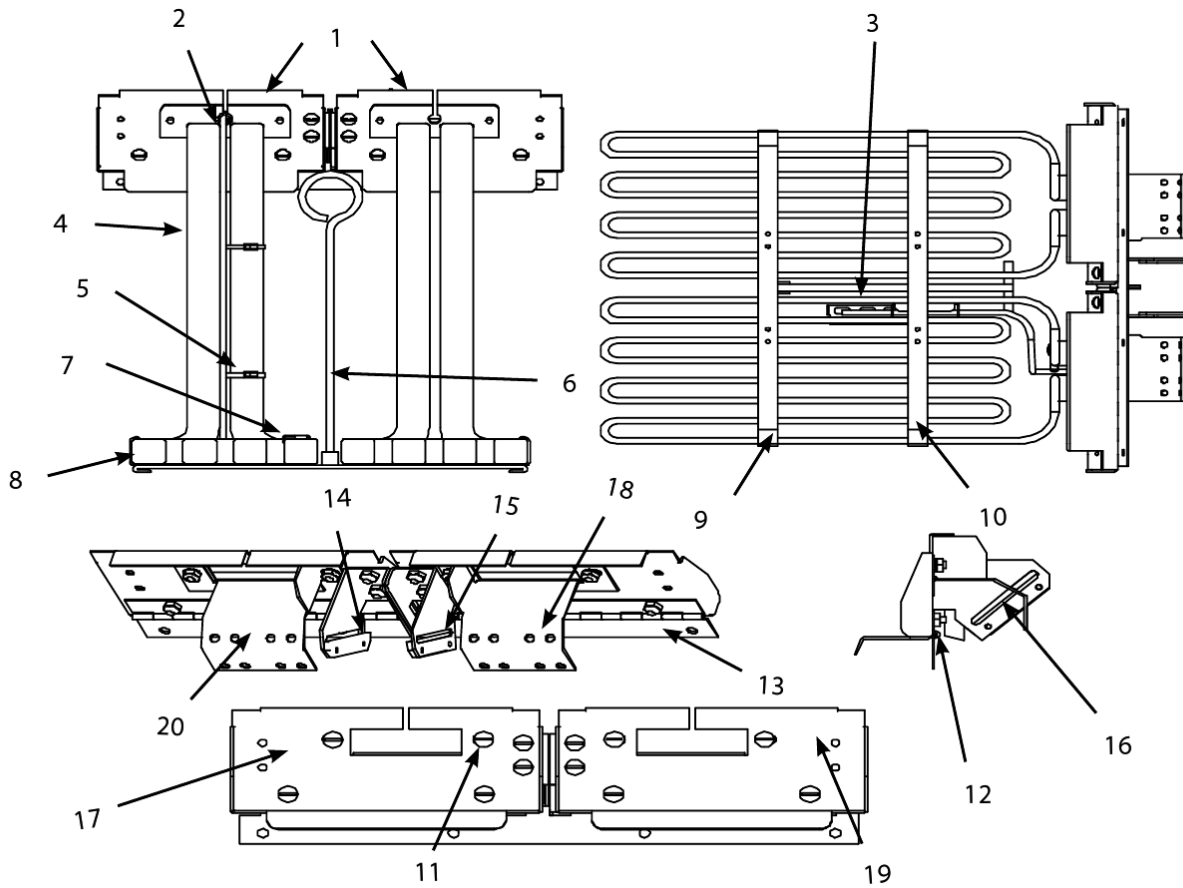
#	PART #	DESCRIPTION	QTY	Note
1	8261368	Nut - 0.25-20 Serrated Flange	1	
2	9005851	Retainer, Insulation—Bottom	1	
3	8160275	Insulation, Side and Bottom	1	
4	9004100	Retainer, Insulation—Side	1	
5	8130070	Elbow, 1.25-inch X 90°	1	
6	8130144	Nipple, 1-0.25 x 2.5 NPT	1	
7	8101569	Valve, 1.25-inch, Non-filter, Full-vat Drain	1	[1]
8	8130188	Drain Nipple, Extended	1	
9	9004101	Retainer, Insulation—Front	1	
10	8160277	Insulation, Front	1	
11	8232441	Frypot Weld Assembly	1	
12	8160281	Insulation, Back—Right	1	
13	8160280	Insulation, Back—Left	1	
14	9005658	Retainer, Insulation—Back	1	
15	8160282	Insulation, Back Center	1	
16	8233403	Crumb Screen	1	
17	8232596	Clean-Out Rod, In-N-Out	1	

PART NOTES:

[1] - Non-filter

H20.5 Series Electric Fryers

Heating Elements and Related Components



Heating Elements and Related Components

H20.5 Series Electric Fryers

Heating Elements and Related Components

#	PART #	DESCRIPTION	QTY	Note
1	8068306	Tilt-Plate Assembly	1	
2	8071025	Bushing, 0.375-Split	1	
3	8261791	Probe, Temperature- 15"	1	
4	8072557	Element- 208V 10.25 kW	1	
4a	8072637	Element- 240V 10.25 kW	1	
5	8090567	Tie-Wrap - Metal	1	
6	8101233	Handle, Element Lift	1	
7	9105022	Bracket, Temperature Probe	1	
8	9102042	Clamp, Element	1	[1]
9	8237586	Support, Front- Full-vat Element	1	
10	2304915	Support - Element	1	
11	8261330	Screw, 10-32 x 0.375-inch Slot Head SS	1	
12	8261376	Nut - #10-32 Keps Hex	1	
13	8100035	Hinge	1	
14	8160214	Nylon Bar, Tilt Plate Spring Bracket	1	
15	9015488	Bracket, Spring Slot- Left Side	1	
16	9025488	Bracket, Spring Slot- Right Side	1	
17	9115458	Plate, Tilt S/S- Left Side	1	
18	9115740	Bracket, Element Support- Left Side	1	
19	9125458	Plate, Tilt S/S- Right Side	1	
20	9125740	Bracket, Element Support- Right Side	1	
20a	8090358	Turnbuckle, Tilt Plate Spring	1	
20b	8100297	Spring, Element	1	
20c	9005378	Bracket, Tilt Plate Spring	1	

PART NOTES:

[1] - Short