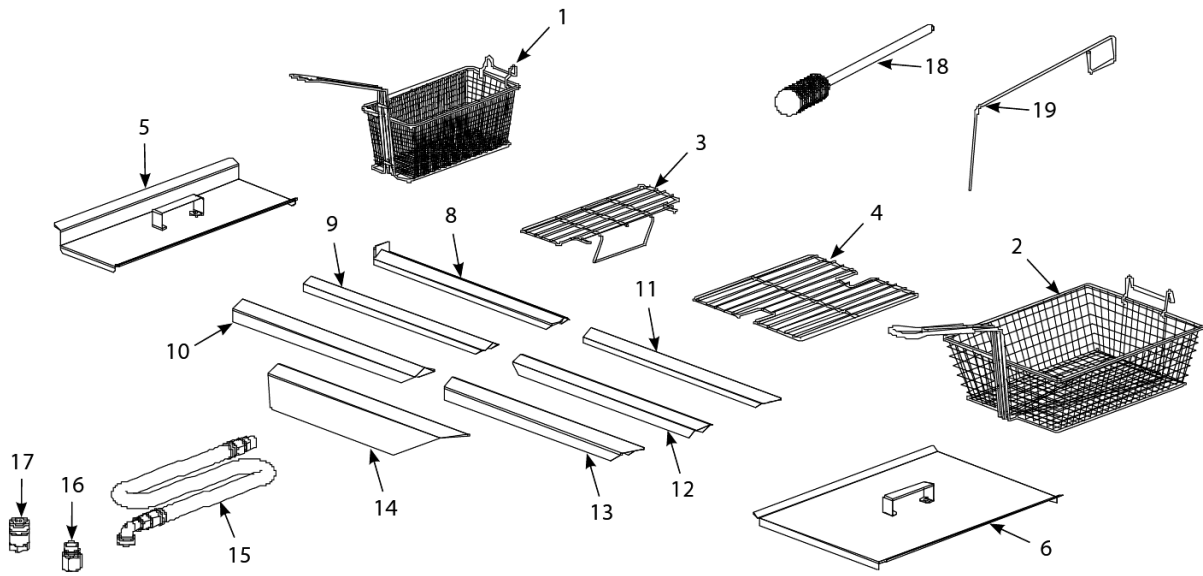


# H50 Series Gas Fryers

## Accessories



# H50 Series Gas Fryers

## Accessories

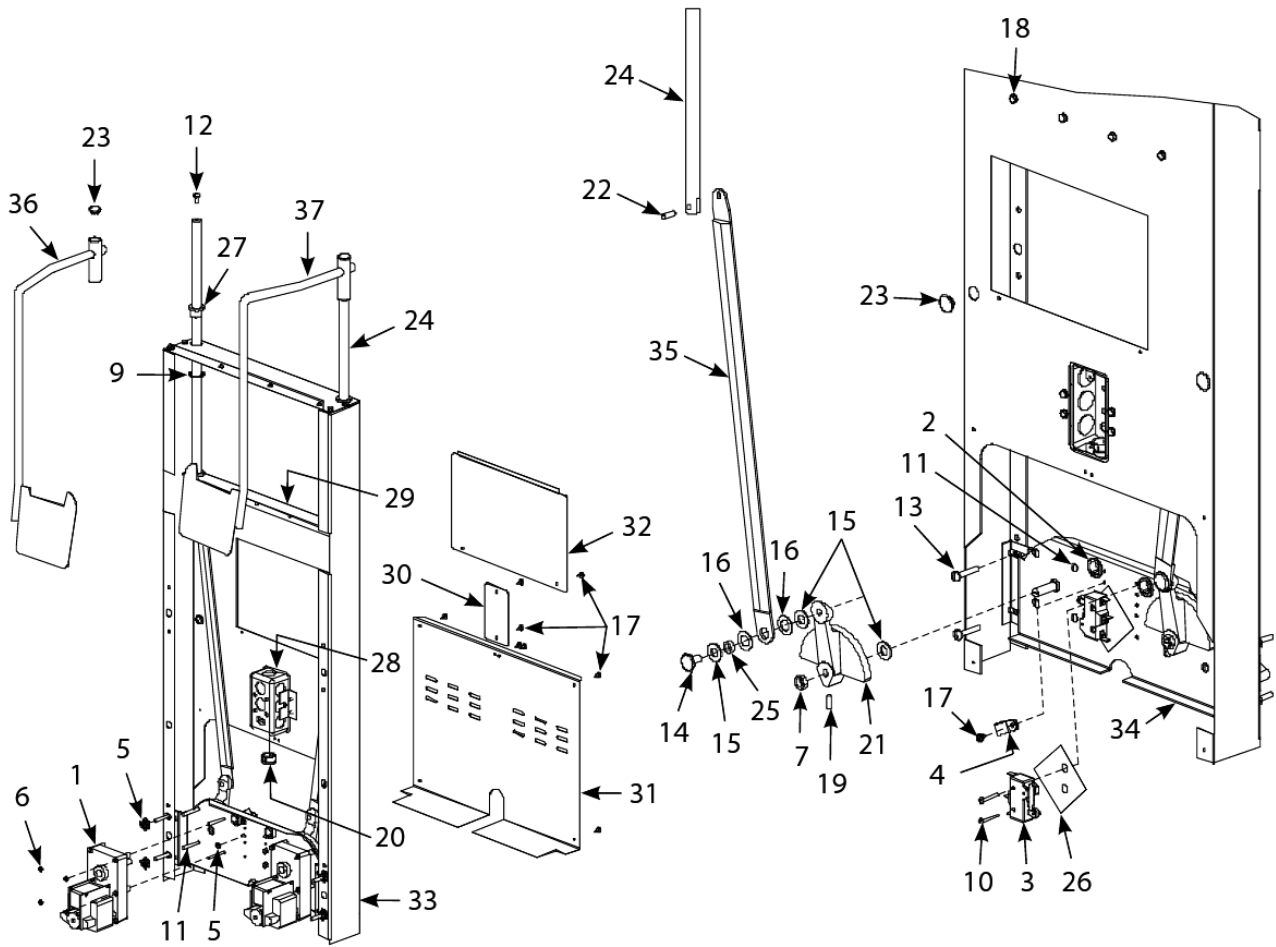
#	PART #	DESCRIPTION	QTY	Note
1	8030271	Basket, Twin Size	1	
2	8030099	Basket, Full Size	1	[1]
3	8030133	Rack, Dual-Vat Basket Support	1	
4	8030132	Rack, Full-Vat Basket Support	1	
4a	8030136	Basket Support Screen, Full Vat	1	[2]
5	8063232	Cover, Frypot, Dual Vat	1	
6	8065518	Cover, Frypot, Full Vat	1	
7	8260993SP	Handle Kit, Frypot Cover	1	[3]
8	8235810	Connecting Strip, Frypot	1	[4]
9	9104617	Connecting Strip, blunt point, 0.5" sides, 20.70" long	1	
10	9102285	Connecting Strip (blunt point, 1" sides, 20.80" long)- B.K. Wide	1	
11	9107515	Connecting Strip	1	
12	9107443	Top Connecting Strip	1	
13	9107515	Connecting Strip	1	[5]
14	9102572	Connecting Strip	1	[6]
15	8061698	Connecting Strip	1	[7]
15a	8100088	Gas Line, 1-Inch Dormont Flexible, 36-Inch	1	
15b	8061699	Gas Line, 1-Inch Dormont Flexible, 48-Inch	1	[8]
15c	8100085	Gas Line, 1-Inch Dormont Flexible, 48-Inch	1	
16	8100074	Quick-Disconnect Fitting, 1-Inch Male	1	[9]
17	8100073	Coupling, Gas Line Female Quick Disconnect 1-inch	1	
18	8030209	Brush, Frypot	1	
19	8030197	Fryer's Friend	1	
20	9103557	Fryer's Friend 27"	1	[10]
21	8101306	Flue Deflector	1	
21a	8101307	Valve, Manual Gas Shut Off 0.5"	1	
22	8030103	Valve, Manual Gas Shut Off 0.75"	1	
22a	8030107	Sediment Trays (Full-Vat)	1	
22b	8030108	Sediment Trays (Left Dual-Vat)	1	
		Sediment Trays (Right Dual-Vat)		

### PART NOTES:

- [1] - cannot be used with basket lifts
- [2] - screen w/handle used in place of Item 4
- [3] - includes handle and screws
- [4] - Burger King only
- [5] - sharp point, 1" sides, 21.73" long
- [6] - sharp point, 1" sides, 21.84" long
- [7] - sharp point, 3" sides, 21.84" long
- [8] - for gas line only (w/o Items 16 and 17)
- [9] - for gas line only w/o Items 16 and 17
- [10] - Clean-out Rod

# H50 Series Gas Fryers

## Basket Lift Assemblies and Component Parts - Bell Crank Basket Lifts



# H50 Series Gas Fryers

## Basket Lift Assemblies and Component Parts - Bell Crank Basket Lifts

#	PART #	DESCRIPTION	QTY	Note
1	8070107	Motor, Gear	1	
1a	8070108	Gearmotor - Basket Lift - 240V	1	
2	8070124	Bushing, Plastic	1	
3	8070240	Microswitch	1	
4	8261680	Clamp, Plastic Wire	8	
5	8261358	Nut, 6-32 Keps Hex	25	
6	8090050	Nut, 8-32 Hex	1	
7	8090063	Nut, Jam 0.375-16 Hex	1	
8	8090076	Nut, 0.25-20 x 0.75 Expansion	1	
9	8090082	Ring, Bushing Retainer	1	
10	8090097	Screw, 6-32 X 1-inch Slotted Truss Head	1	
11	8090113	Screw, 2-32 X 1.5-inch Slotted Truss Head	1	
12	8090127	Screw, 0.25-20 X 0.5-inch Slotted Round Head	1	
13	8261370	Screw, 0.25-20 X 1.25-inch Slotted Round Head	10	
14	8090155	Leveling Screw	1	
15	8090196	Washer, 0.375-inch SAE Flat	1	
16	8261381	Washer, Nylatron	1	
17	8090360	Screw, 8 x 0.375-inch Hex Washer Slot Head	1	
18	8261374	Screw - #10 x 0.5" Hex Head	25	
19	8090480	Setscrew, 0.25-28 X 0.625-inch Hex Socket Head	1	
20	8100045	Bushing, .875 Dia. Hole 0.6875"	1	
21	8100052	Bellcrank and Cam	1	
22	8100170	Pin, Connecting	1	
23	8100172	Plug, 0.625-inch Stainless Steel Hole	1	
24	8100192	Rod, Basket Lift	1	
25	8100220	Spacer, Tubular, .493 OD	1	
26	8120138	Insulation, Paper	1	[1]
27	8130035	Bushing , Oiltite .640 I.D.	1	
28	8231419	Box, Electrical Wiring	1	
29	9004110	Angle, Bearing Support	1	
30	9100119	Cover, Electrical Wiring Box	1	
31	9103177	Rear Access Panel - SS	1	
31a	9003177	Panel, Stainless Steel Rear Access (mild steel)	1	
32	9103783	Cover, Stainless Steel Rear Cabinet	1	
32a	9003783	Cover, Stainless Steel Rear Cabinet (mild steel)	1	
33	9109361	Housing, Basket Lift Stainless Steel	1	
33a	9009361	Housing, Basket Lift Stainless Steel (mild steel)	1	
34	9001579	Plate, Basket Lift Motor Mounting	1	
35	9206076	Link, Basket Lift	1	
36	8237062	Basket Lift Arm, Left	1	
37	8237064	Basket Lift Arm, Right	1	
38	8100172	Plug, 0.625-inch Stainless Steel Hole	1	
39	8062078SP	Wiring Harness, Basket Lift Power (6-pin male w/5 wires)	1	
39a	8062079SP	Wiring Harness, Basket Lift Motor (6-pin female w/7 wires)	1	
39b	8067019SP	Wiring Harness, Non-Modular Basket Lift (6-pin male & female w/5 wires)	1	
39c	8072000	Cable, C2 Connector to Component Box (units w/Basket Lift)	1	

# H50 Series Gas Fryers

## Basket Lift Assemblies and Component Parts - Bell Crank Basket Lifts

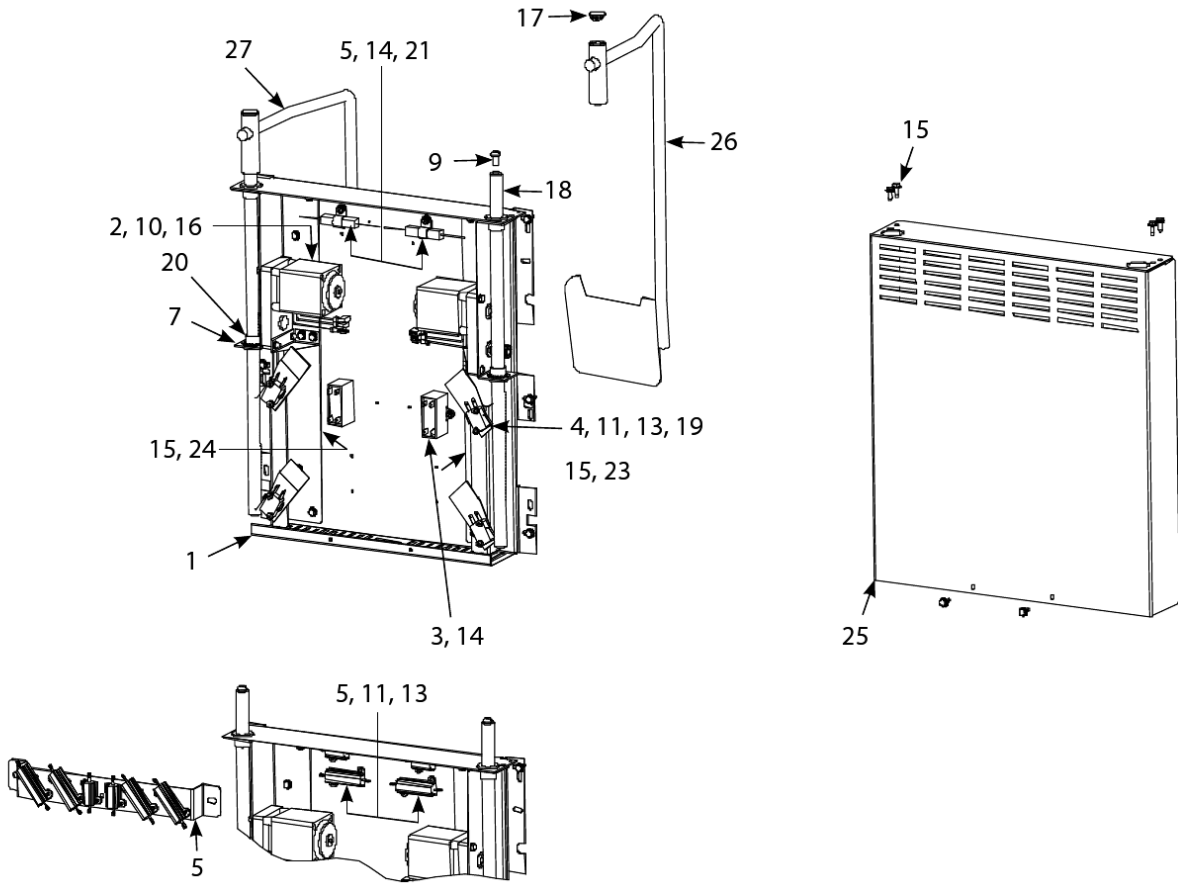
#	PART #	DESCRIPTION	QTY	Note
40	8073695	Basket Lift Cable	1	
40a	8072033	Cable, H50 Basket Lift (15-pin male & 6-pin male w/ 6 wires ) Older cable	1	

**PART NOTES:**

[1] - Fishpaper

# H50 Series Gas Fryers

## Basket Lift Assemblies and Component Parts - Modular Basket Lifts



# H50 Series Gas Fryers

## Basket Lift Assemblies and Component Parts - Modular Basket Lifts

#	PART #	DESCRIPTION	QTY	Note
1	2002942	Mount, Modular Basket Lift	1	
1a	9007655	Mount, Modular Basket Lift**, For use on units with 6-pin connectors	1	
2	8065964SP	Motor Assembly - 208-240V	1	
2a	8101013	Gear, Modular Basket Lift	1	
2b	8090504	Set Screw, 6-32 x .185	1	
3	8072513	Capacitor - 12.5 MFD/330VAC	1	
4	8072572	Microswitch	1	
5	8068530SP	Resistor Assy, 100-120V Modular Basket Lift	1	
5a	8072661	Resistor	1	
6	1062771	Resistor Assembly, CE, 208-250V Modular Basket Lift	1	
6a	8069185	Resistor Assembly, CE, 208-250V Modular Basket Lift	1	[1]
7	8090082	Ring, Bushing Retainer	1	
8	8261361	Screw - #2-32 x 1" Slotted Truss Head	25	
9	8090127	Screw, 0.25-20 X 0.5-inch Slotted Round Head	1	
10	8090186	Lock Washer w/External Teeth, #8	1	
11	8261366	Nut - #4-40 Keps Hex	25	
12	8090247	Nut - #8-32 Keps Hex	1	
13	8261359	Screw - #4-40 x 0.75" Slotted Round Head	25	
14	8261371	Screw - #8 x 0.5" Hex Head ZP	25	
15	8261374	Screw - #10 x 0.5" Hex Head	25	
16	8090503	Screw - #8-32 x 0.5" Slotted Truss Head	1	
17	8100172	Plug, 0.625-inch Stainless Steel Hole	1	
18	8101012	Rod, Basket Lift	1	
19	8120442	Insulation, Microswitch	1	
20	8130035	Bushing , Oiltite .640 I.D.	1	
21	8160033	Tie Wrap, Screw Mount	1	
22	9005529	Gusset, Basket Lift Motor	1	
23	9018499	Chassis, Left Basket Lift	1	
24	9028499	Chassis, Right Basket Lift	1	
25	9104776	Cover, Modular Basket Lift Rear S/S	1	
25a	9004776	Cover, Modular Basket Lift Rear S/S	1	
25b	8261991	Cover, Kit S/S Modular Basket Lift with screws	1	
26	8237062	Basket Lift Arm, Left	1	
27	8237064	Basket Lift Arm, Right	1	
28	8070159	12-Pin Female	1	
28a	8070158	6-Pin Female	1	
29	8069014SP	Wire Assemblies**, For 100-120V Modular Basket Lift w/6-Pin Connector	1	
29a	8068555SP	Wire Assemblies**, For 202-250V Modular Basket Lift w/6-Pin Connector	1	
29b	1061822SP	Wire Bundle - 100-120V Modular Basket Lift	1	
29c	1061804SP	Wire Bundle - 208-250V Modular Basket Lift	1	
30	1061807SP	Basket Lift Assemblies, 100-120V w/o Relay	1	
30a	1061810SP	Basket Lift Assemblies, 202-250V w/o Relay	1	

# H50 Series Gas Fryers

## Basket Lift Assemblies and Component Parts - Modular Basket Lifts

#	PART #	DESCRIPTION	QTY	Note
		NOTE:Basket lift assemblies manufactured prior to February 2002 have 6-pin connectors; those manufactured February 2002 and later have 12-pin connectors. Verify the type of connector in use before ordering wiring assemblies or mounts.		

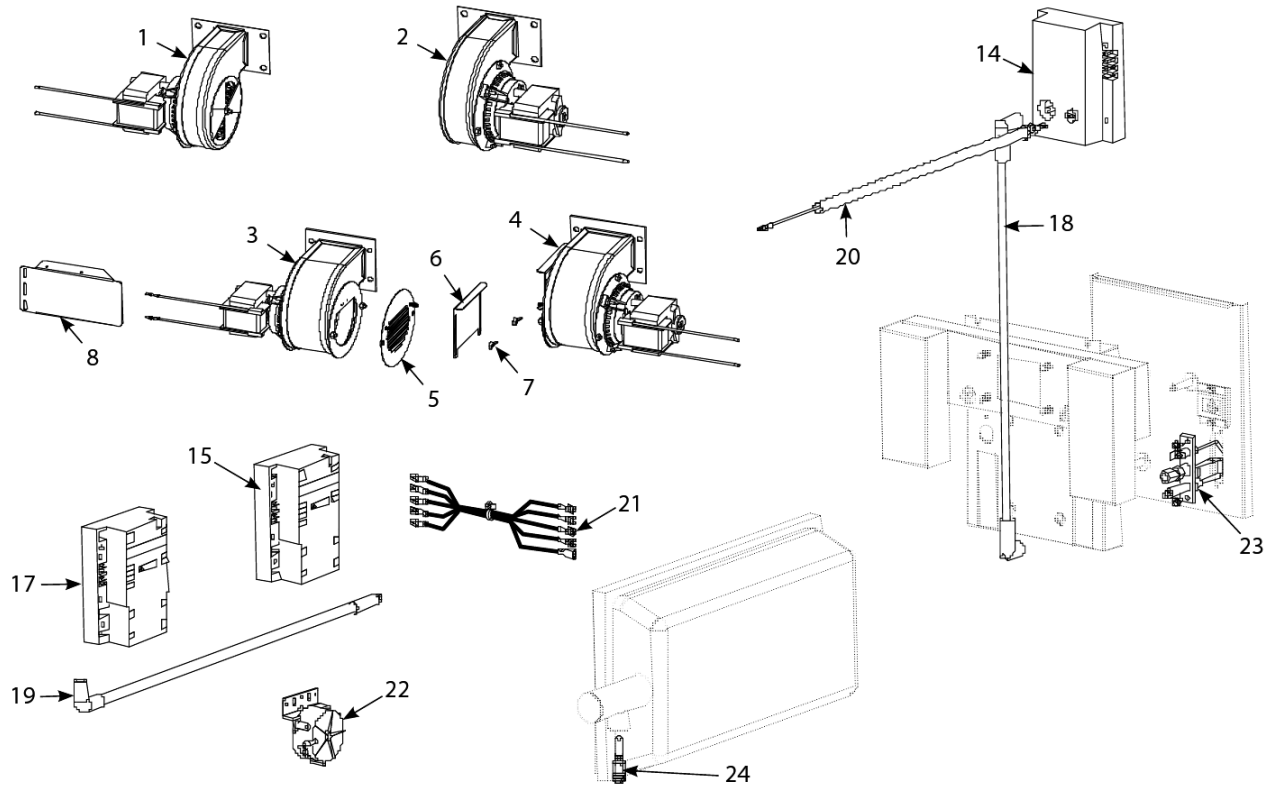
**PART NOTES:**

[1] - before 11/02



# H50 Series Gas Fryers

## Blower Assemblies, Burner Ignition System Components



# H50 Series Gas Fryers

## Blower Assemblies, Burner Ignition System Components

#	PART #	DESCRIPTION	QTY	Note
1	1062996SP	Blower, Left (with 1.54-inch (3.91 cm) narrow housing), 100V, 1 50/60 Hz	1	
1a	1062994SP	Blower, Left (with 1.54-inch (3.91 cm) narrow housing), 115V, 1 50/60 Hz	1	
1b	8065841SP	Blower, Left (with 1.54-inch (3.91 cm) narrow housing), 230V, 1 50 Hz	1	
1c	1062995SP	Blower, Left (with 1.54-inch (3.91 cm) narrow housing), 240V, 1 50/60 Hz	1	
2	1062999SP	Blower Assembly, Combustion Air 100V 50/60 Hz	1	
2a	1062997SP	Blower Assembly, Combustion Air , 115V 50/60 Hz	1	
2b	8077060SP	Blower, Right (with 1.54-inch (3.91 cm) narrow housing), 230V, 50 Hz	1	
2c	1062998SP	Blower Assembly, Combustion Air 208-240V 50/60 Hz Non- CE International	1	
3	1063000SP	Blower Assembly, Left 230V, 50/60 Hz (with 2.8-inch (7.11 cm) wide housing) CE and Non-CE	1	
3a	1063002SP	Blower, Assembly Left, 24V, 50/60 Hz (with 2.2-inch (7.11 cm) wide housing) non-CE and CE	1	
4	1063001SP	Blower Assembly, Combustion Air 230V 50/60 Hz CE	1	
4a	1063003SP	Blower, Assembly, Right 24V, 50 Hz (with 2.2-inch (7.11 cm) wide housing) CE and non-CE	1	
4b	1063000SP	Blower Assembly, Left 230V, 50/60 Hz (with 2.8-inch (7.11 cm) wide housing) CE and Non-CE	1	
5	8069689	Finger Guard/Air Flow Inhibitor Adapter	1	
6	9008699	Air Flow Inhibitor	1	
7	8261382	Wingnut	10	
8	8261426	Shield - Blower Motor	1	
9	8160554	Cover, Blower Motor	1	[1]
10	8090938	Screw, 10-32 x 0.625-inch Phillips Truss Head	1	[2]
11	8261383	Washer, 0.75-inch O.D. x 0.25-inch I.D. ZP	5	[3]
12	8261372	Nut Grip 0.25-inch 0.25-20 Hex NP	10	[4]
13	KIT0155SP	High Altitude Blower Kit	1	[5]
14	8263271	Ignition Module	1	[6]
14a	8261393	Fuse, 250V 3A	1	
15	8073366	Ignition Module, Dual-Spark Full-Vat	1	[7]
16	8261346	Spacer, Ignition Module	10	
17	8073365	Ignition Module, Single-Spark Dual-Vat	1	[7]
18	8075009	Ignition Cable - 19" L	1	
18a	8071200	Ignition Cable - 27" L	1	
19	8261721	Ignition Cable w/ Rajah	1	
19a	8075008	Ignition Cable - 21"	1	
19b	8073484	Connector, Rajah	1	[8]
20	8066085SP	Wire Assembly, Ignitor	1	
21	8066084SP	Wiring Assembly, Ignition Module	1	
22	8072263	Switch, Air Pressure	1	
22a	KIT1428SP	Air Switch Kit - CE Export H52	1	
23	8260981	Ignitor and Gasket Kit - Natural Gas	1	
23a	8260982	Ignitor and Gasket Kit - LP	1	
23c	8160059	Gasket, Ignitor	1	

# H50 Series Gas Fryers

## Blower Assemblies, Burner Ignition System Components

#	PART #	DESCRIPTION	QTY	Note
24	8121137	Orifice, 1.95 mm Propane/Butane (G30, G31) (0-4999 Ft, 0-1524 M) (CE)	1	
24a	8101221	Orifice, 2.00 mm Propane/Butane (0-4999 Ft, 0-1524 M) (Japan)	1	
24b	8100386	Orifice, 2.10 mm Propane/Butane (0-4999 Ft, 0-1524 M) Standard LP	1	
24c	8100413	Orifice, 2.16 mm Propane/Butane (G30, G31) (5000-6999 Ft, 1525-2133 M)	1	
24d	8121028	Orifice, 2.20 mm Propane/Butane (G30, G31) (7000-10,999 Ft, 2134-3352 M)	1	
24e	8121134	Orifice, 3.10 mm Natural Gas (G20, G25) (0-4999 Ft, 0-1524 M) (Japan)	1	
24f	8100403	Orifice, 3.40 mm Natural Gas (G20, G25) (0-4999 Ft, 0-1524 M) Standard Natural Gas	1	
24g	8100437	Orifice, 3.60 mm Natural Gas (G20, G25) (5000-6999 Ft, 1525-2133 M)	1	
24h	8121144	Orifice, 3.65 mm Natural Gas (G20, G25) (7000-8999 Ft, 2134-2743 M)	1	
24i	8121145	Orifice, 3.70 mm Natural Gas (G20, G25) (9000-10,999 Ft, 2744-3352 M)	1	
24j	8100642	Orifice, 5.95 mm Manufactured Gas (0-4999 Ft, 0-1524 M)	1	
25	8261196	Conversion Kit, Natural Gas (G20, G25) to Propane/Butane (G30, G31) CE	1	
25a	8261197	Conversion Kit, Propane/Butane (G30, G31) to Natural Gas (G20, G25) CE	1	

NOTE: Some earlier CE units were built with blowers having housings 1.54 inches (3.91 cm) wide. Current production CE units are built with blowers having housings 2.71 inches (6.88 cm) wide. When ordering replacements for CE units, the width of the blower

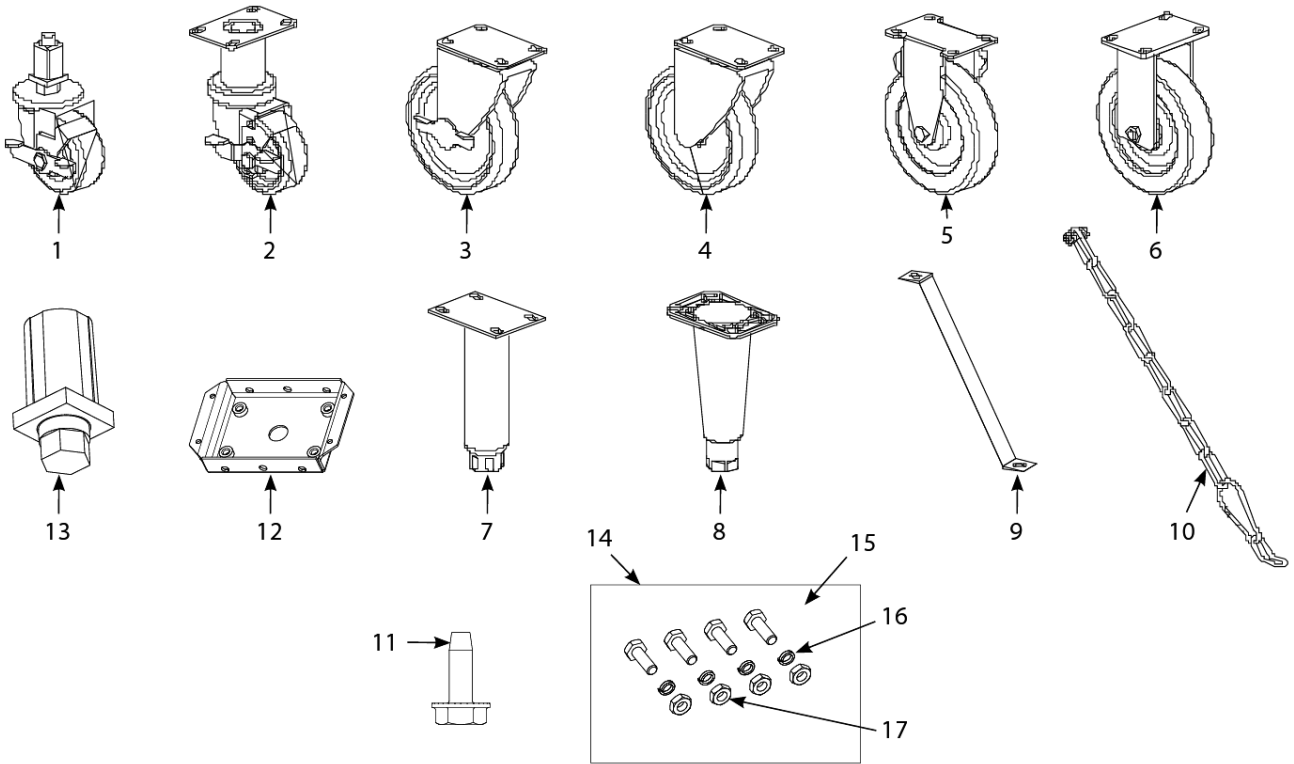
NOTE: CE units built before June 1999 were equipped with a blower shield that completely covered the blower assemblies. This shield is no longer required and may be removed. The component parts of the shield are no longer available for replacement.

### PART NOTES:

- [1] - fits left- or right-hand blowers
- [2] - secures Blower Motor Cover to motor
- [3] - for mounting blower to plenum
- [4] - for mounting blowers to plenum
- [5] - required above 5000 Ft, 1525 M
- [6] - original design, with fuse
- [7] - new design, without fuse
- [8] - non fused ignition modules

# H50 Series Gas Fryers

## Casters, Legs, and Restraints



# H50 Series Gas Fryers

## Casters, Legs, and Restraints

#	PART #	DESCRIPTION	QTY	Note
1	8232669	Caster, Single FootPrint Front	1	
1a	9107925	Mounting Leg for Caster 8232669	1	
2	8261130	Caster, 3" Swivel w/Brake	1	[1]
3	8261118	Caster, 5" Swivel w/Brake	1	[2]
4	8261117	Caster, 5" Swivel w/o Brake	1	[3]
5	8261138	Caster, 5" Rigid w/o Brake	1	[4]
6	8261114	Caster, 5" Rigid w/o Brake	1	[5]
7	8261237	Leg Assembly, Stainless Steel	1	[6]
8	8263320	Leg - 4 Pack	1	[7]
9	8261095	Anchor Strap Kit	1	[8]
10	8260900	Kit, Chain Restraint	1	[9]
11	8100007	Leg, Square Tube	1	
12	8065209SP	Leg Pad	1	
13	8261374	Screw - #10 x 0.5" Hex Head	1	
14	8261113	Caster Fastener Kit	1	[10]
15	8261389	Screw - 0.25"-20 x 0.75" Hex Head ZP	1	
16	8090191	Washer, Lock 0.25 Spring ZP	1	
17	8261362	Nut - 0.25"-20 Hex	1	

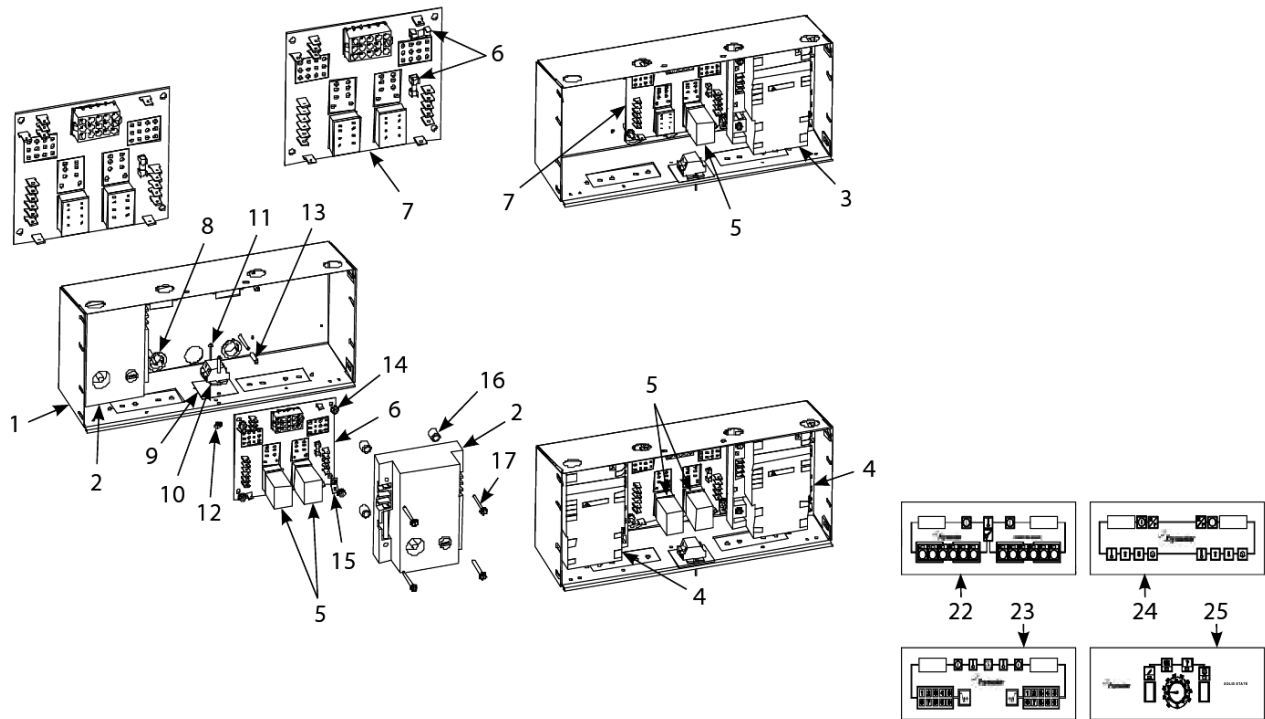
NOTE: Items 2 through 8 include 1 caster or leg, 4 mounting bolts, and 4 lock washers.

### PART NOTES:

- [1] - 8100651
- [2] - 8100357
- [3] - 8100356
- [4] - 8100378
- [5] - 8100750
- [6] - 8101205
- [7] - 8065043
- [8] - for use on single fryers w/legs
- [9] - for use on fryers w/casters
- [10] - One Caster

# H50 Series Gas Fryers

## Component Box Assemblies, Controller Assemblies and Associated Component Parts



# H50 Series Gas Fryers

## Component Box Assemblies, Controller Assemblies and Associated Component Parts

#	PART #	DESCRIPTION	QTY	Note
1	2005996	Box Assembly, One-Piece Component	1	
2	8263271	Ignition Module	1	
3	8073366	Ignition Module, Dual-Spark Full-Vat	1	
4	8073365	Ignition Module, Single-Spark Dual-Vat	1	
4a	8262024	Ignition Cable w/Rajah	1	
5	8070833	Relay, DPDT 5A 12VDC Latch	1	
5a	8070834	Relay, SPDT 15A 12VDC Basket Lift	1	
5b	8102243	Spring, Relay Retaining	1	
6	8073843	Fuse 3A 250V Domestic	1	
7	8262264	Interface Board Kit SMT	1	
7a	8064973	Interface Board, Australia	1	
7b	8063683	Interface Board (used with Ger. fryers with 24V blowers only)	1	
7c	8073293	Fuse 5A 125V	1	
7d	8262776	Interface Board - Gas	1	
7e	8073969	latch relay	1	
7e	8063641	Interface Board, (used in Holland)	1	
7f	8064195SP	Interface Board, (used with manufactured gas Hong Kong)	1	
7g	8063535	Interface Board, (used in Churches w/ Far West Computers)	1	
8	8071926	Bushing, .875-inch Split	1	
9	8160217	Insulation, Terminal Block Paper	1	[1]
10	8101164	Block, One-Piece Screwless Terminal	1	[2]
11	8261359	Screw - #4-40 x 0.75" Slotted Round Head	25	[2]
12	8261366	Nut - #4-40 Keps Hex	25	[2]
13	8071241	Spacer, Interface Board	1	[3]
14	8090250	Nut, 6-32 Keps Hex	1	
15	8261337	Tab, 0.25-inch Terminal	5	
16	8261346	Spacer, Ignition Module	10	[4]
17	8090441	Screw, 8 x 1.5-inch Hex Washer Head	1	
18	8261157	Kit, Fuse and Fuse Puller	1	[5]
19	8062071	Cable, Computer/Controller to Interface Board	1	
20	8063660	Sound Device, High Output for M100B	1	
20a	8262458	Speaker - 4 Watts	1	
21	8071359	Mount, Ty-Wrap	1	[6]
22	8262296	Computer Magic 3.5 Dual Vat (CE)	1	
22a	8262287	Computer Magic 3.5 Dual Vat (Non-CE)	1	
22b	8262291	Computer Magic 3.5 Dual Vat w/ 8 sec. Melt Cycle	1	
22c	8262297	Computer Magic 3.5 - Full Vat (CE)	1	
22d	8262286	Computer Magic 3.5 - Full Vat (Non-CE)	1	
22e	1067246	Computer Magic 3.5 Full Vat, Remote BK on the Hood	1	
22f	8262278	Computer Magic 3.5 Full Vat, Remote BK in the Hood	1	
23	8262372	Basket Lift Timer, Dual Vat (CE)	1	
23a	8262312	Basket Lift Timer, Dual Vat (Non-CE)	1	
23b	8262314	Basket Lift Timer, Full Vat (CE)	1	
23c	8262311	Basket Lift Timer, Full Vat (Non-CE)	1	
23d	8262791	Basket Lift Timer Kit	1	
23e	8261667	Basket Lift Timer, Kit, 240v Push Button	1	

# H50 Series Gas Fryers

## Component Box Assemblies, Controller Assemblies and Associated Component Parts

#	PART #	DESCRIPTION	QTY	Note
24	8262363	Digital Controller, Dual Vat (CE)	1	
24a	8262365	Digital Controller, Dual Vat (Non-CE)	1	
24b	8262304	Generic Digital Controller	1	
24c	8262366	Digital Controller, Full Vat (Non-CE)	1	
25	8063564	Solid State (Analog) Controller, Dual Vat (CE) w/ 8 sec. Melt Cycle	1	
25a	8063008	Solid State (Analog) Controller, Dual Vat (Non-CE)	1	
25b	8063563	Solid State (Analog) Controller, Full Vat (CE) w/ 8 sec. Melt Cycle	1	
25c	1066023	Solid State (Analog) Controller, Full Vat (Non-CE)	1	
25d	1066028	Solid State Controller	1	
25e	8072236	Overlay	1	
25f	8100387	Knob	1	
26	1060613	CM4-S Computer (CE)	1	
27	8064323	Fallback Controller Assembly	1	
28	8262758	Control Panel KJ3	1	[7]
28a	8069712SP	KFC Fryers	1	
28b	1062927SP	KFC Fallback Controllers	1	
28c	8069713SP	KFC Fryers	1	
28d	1062928SP	KFC Fallback Controllers	1	
28e	8069714SP	KFC Fryers	1	
28f	1062929SP	KFC Fallback Controllers	1	
28g	8069715SP	KFC Fryers	1	
29	8261032SP	Screw and Retainer Kit for computer	1	[8]
30	8261379	Screw, #10 X 0.5-inch Phillips Truss Head	10	[9]
31	9103690	Blank Panel	1	[10]
32	8062071	Cable, Computer/Controller to Interface Board	1	
32a	8063528	Harness, Main 7.5' BK 15-pin Computer to Interface Board	1	
32b	8063388	Harness, Main 20' Remote N Pot 15-pin Computer to Interface Board	1	

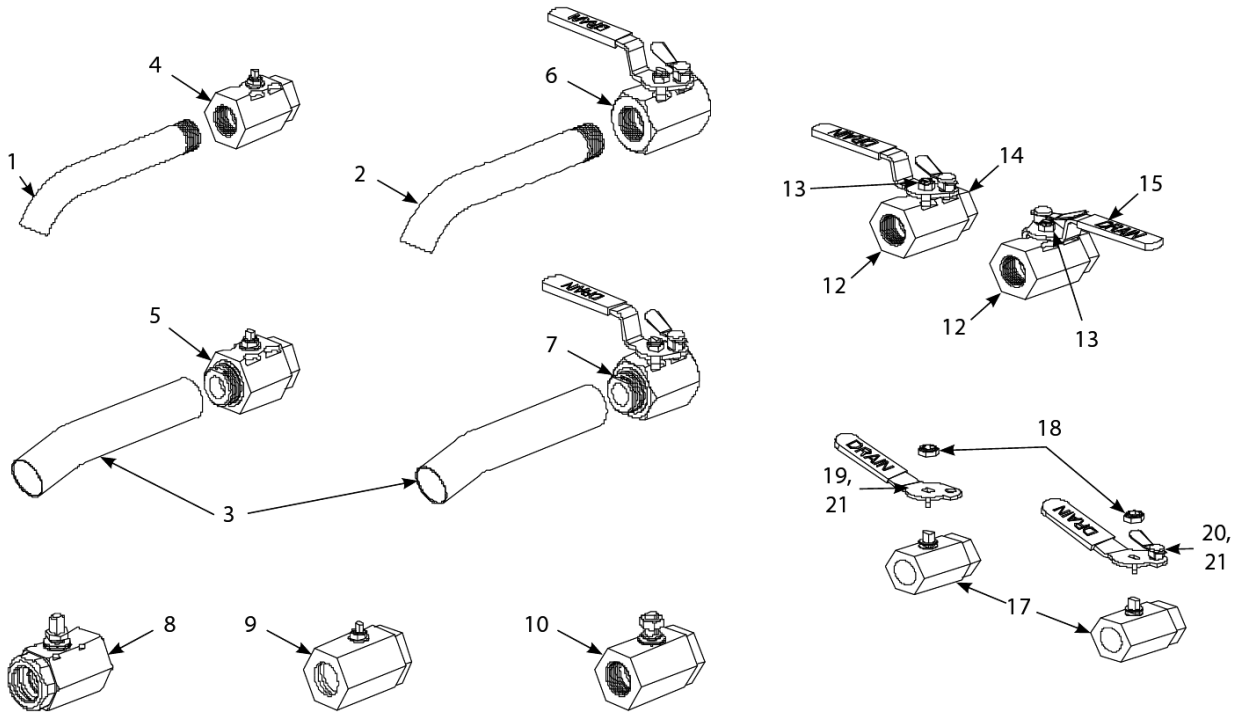
### PART NOTES:

- [1] - Items 9, 10, 11, 12 not used on Hong Kong units
- [2] - See Item 9
- [3] - .151-inch ID x 0.625-inch
- [4] - .260-inch ID x 0.5-inch
- [5] - fuse and fuse puller
- [6] - used on CE units only
- [7] - requires special control panel assembly
- [8] - contains two screws and two clips
- [9] - computer screws
- [10] - for fryers with remote mounted computers



# H50 Series Gas Fryers

## Drain Valves, Drain Valve Assemblies (1.25-inch)



# H50 Series Gas Fryers

## Drain Valves, Drain Valve Assemblies (1.25-inch)

#	PART #	DESCRIPTION	QTY	Note
1	8130276	Drain Extension, 1-inch, Dual-vat	1	[1]
2	8130188	Drain Nipple, Extended	1	[2]
3	2104175	Drain Valve Extension, Bayonet Connection	1	[3]
4	8101338	Valve, 1-inch, Universal Ball	1	
5	8102536	Drain Valve, 1-inch NPT Inlet, Bayonet Outlet, Non-Filter Dual Vat	1	
6	8101569	Valve, 1.25-inch, Non-filter, Full-vat Drain	1	
6a	8064145	Complete Assembly, Export Units	1	[4]
7	8102535	Drain Valve w/Handle, 1.25-inch NPT Inlet, Bayonet Outlet Non-Filter FV*	1	
8	8101018	Drain Valve, 1.25", Left	1	
9	8101114	Drain Valves, Dual-vat, 1-inch Drain Valve	1	
10	8101020	Valve, 1-inch Full-Vat Drain	1	[5]
11	8067915SP	Valve, 1-inch, Non-filter, Dual-vat, Left Drain	1	
11a	8067916SP	Valve, 1-inch, Non-filter, Dual-vat, Right Drain	1	
12	8101338	Valve, 1-inch, Universal Ball	1	[6]
13	8090539	Nut, 0.375-16 2-Way Lock	1	
14	8101568	Handle, Drain Valve	1	
15	8101567	Handle with Lock, Drain Valve (for Right Dual Vat MH52 Valve)	1	
16	8066993SP	Valve, 1.25-inch Drain Assembly	1	
16a	8064145	Complete Assembly, Export Units	1	[7]
17	8101017	Components, Drain Valve, 1.25-inch Gemini – non-filter	1	
18	8090589	Components, Nut, 0.5-inch Lock	1	
19	8100820	Components, Handle, Drain Valve w/o Lock Pin	1	[8]
20	8101427	Handle, Drain Valve	1	[9]
21	8160211	Sleeve, Handle	1	

Application Notes: Item 4 is used on non-filter, Filter Magic, and FootPrint III units. Items 5, 6, and 7 are used only on non-filter units. Items 8 and 9 are used only on FootPrint III units. Item 10 is used on Filter Magic units.

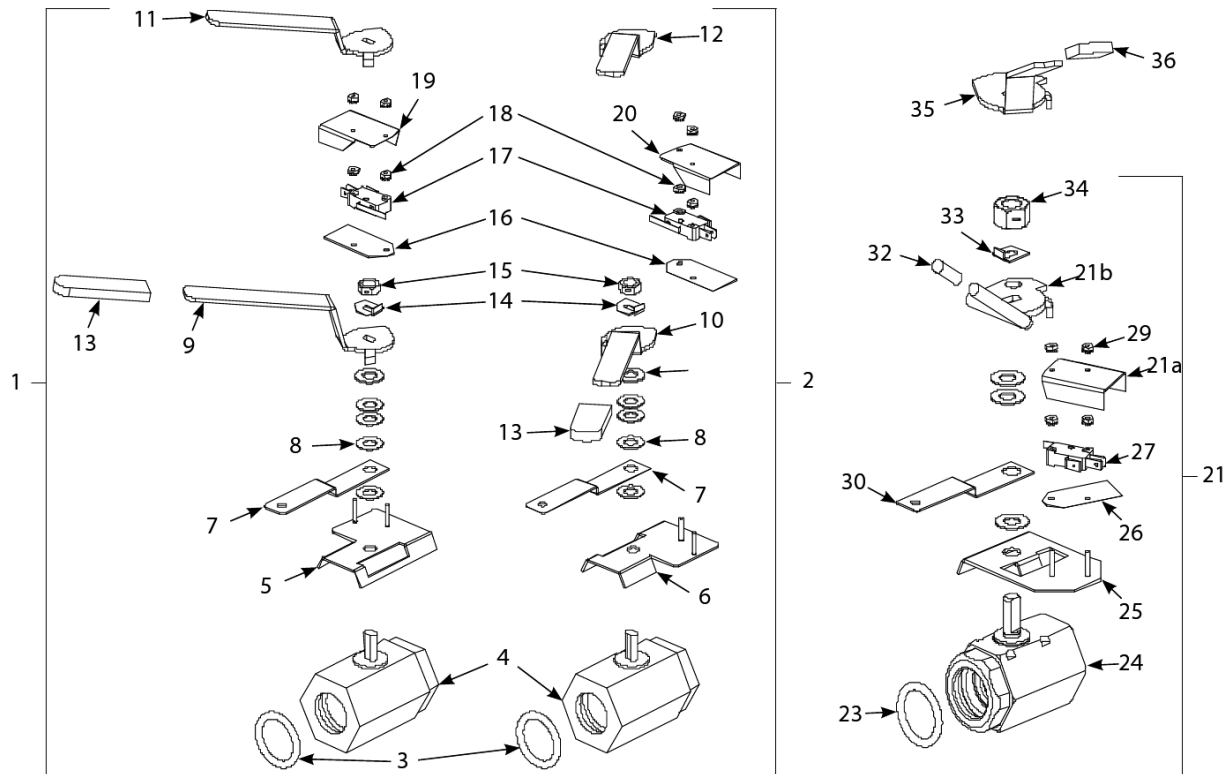
NOTE: For a short period in early 2003, some versions of these assemblies were manufactured with valves having a snap-on connection at the outlet end (see Item 5 on Page 2-11). If replacing the valve in this type assembly, use 8102536 instead of 8101338.

### PART NOTES:

- [1] - 1-inch NPT
- [2] - 1.25-inch NPT
- [3] - used only with Items 5 and 7
- [4] - Large Bore
- [5] - Filter Magic Unit
- [6] - See NOTE
- [7] - Including CE
- [8] - used on domestic units
- [9] - used on export units

# H50 Series Gas Fryers

## Drain Valves, Drain Valve Assemblies (1-Inch X 1.25 inch)



# H50 Series Gas Fryers

## Drain Valves, Drain Valve Assemblies (1-Inch X 1.25 inch)

#	PART #	DESCRIPTION	QTY	Note
1	8066400SP	Valve, Drain Assembly Left DV 1-inch	1	
1a	8066609SP	Valve, Drain Assembly Left DV 1.25-inch	1	
2	8066401SP	Valve, Drain Assembly Right DV 1-inch	1	
2a	8066608SP	Valve, Drain Assembly Right DV 1.25-inch	1	
3	8160135	O-ring	1	
4	8101114	Drain Valves, Dual-vat, 1-inch Drain Valve	1	
5	1062671	Bracket Assembly, Dual-Vat Left Drain Safety Switch	1	
6	1062672	Bracket Assembly, Dual-Vat Right Drain Safety Switch	1	
7	9002355	Bracket, Dual Vat Drain Valve	1	
8	8101165	Washer, Teflon Drain Valve	1	
9	2109922	Handle, Dual Vat BIH52 Left Drain Valve	1	
10	2109925	Handle, Dual Vat BIH52 Right Drain Valve	1	
11	2013985	Handle, Drain Valve, Left	1	[1]
12	2004305	Handle, Drain Valve, Right	1	[2]
13	8140047	Cap, Vinyl Red	1	
14	9002934	Retainer, Dual-Vat Drain Valve Nut	1	
15	8090539	Nut, 0.375-16 2-Way Lock	1	
16	8160220	Insulation, Microswitch	1	
17	8072103	Microswitch	1	
18	8261366	Nut - #4-40 Keps Hex	25	
19	9012348	Cover, Dual-Vat Left Drain Safety Switch	1	
20	9022348	Cover, DV Safety Switch	1	
21	8066373SP	Valve Assembly 1.25-inch Drain	1	
21a	9002841	Cover, Full Vat Drain Safety Switch	1	
21b	8232371	Handle, Non-CE Full Vat	1	[3]
22	8066610SP	Complete Assembly	1	[4]
22a	8066054SP	Valve Assembly, 1.25-inch Left Single FP	1	
23	8160135	O-ring	1	
24	8101018	Drain Valve, 1.25", Left	1	
24a	8101020	Valve, 1-inch Full-Vat Drain	1	
25	8068137	Bracket Assembly, Full-Vat Drain Safety Switch	1	
26	8160220	Insulation, Microswitch	1	
27	8072103	Microswitch	1	
28	9012348	Cover, Dual-Vat Left Drain Safety Switch	1	[5]
29	8261366	Nut - #4-40 Keps Hex	25	
30	9002354	Bracket, Full Vat Drain Valve	1	
31	8232066	Handle, Drain Valve Single FP	1	
32	8100677	Grip, Handle Round	1	
33	9002936	Retainer Nut (FV)	1	
34	8090540	Nut, Lock 0.5-inch-13 Hex 2-Way ZP	1	[6]
35	9002609	Handle, FV Drain	1	[7]
36	8140047	Cap, Vinyl Red	1	

### PART NOTES:

- [1] - replaces Item 9 in 8066609SP
- [2] - replaces Item 10 in 8066608SP
- [3] - replaced with 9002609

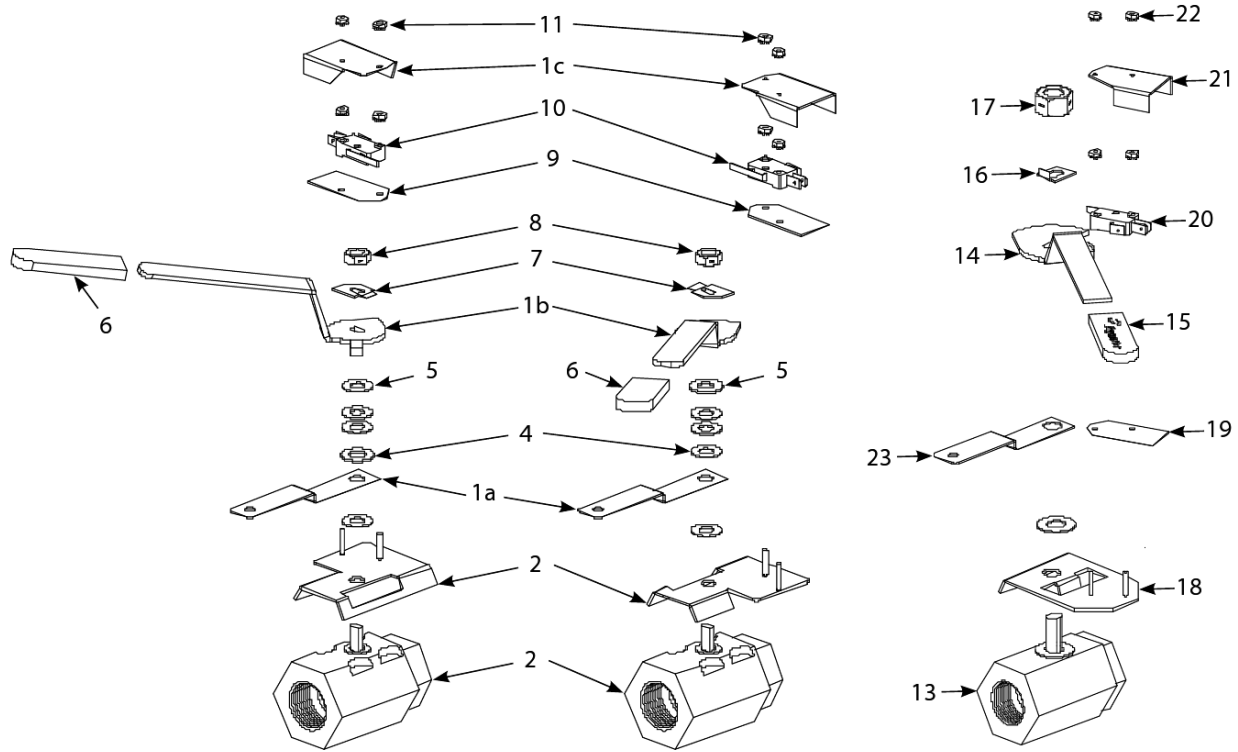
# H50 Series Gas Fryers

## Drain Valves, Drain Valve Assemblies (1-Inch X 1.25 inch)

#	PART #	DESCRIPTION	QTY	Note
[4]	- CE			
[5]	-	replaces 9002841 in 8066610SP		
[6]	-	replaces nut that comes with 8101018		
[7]	-	replaces Item 21b in 8066610SP		

# H50 Series Gas Fryers

## Drain Valves, Drain Valve Assemblies (1-Inch)



# H50 Series Gas Fryers

## Drain Valves, Drain Valve Assemblies (1-Inch)

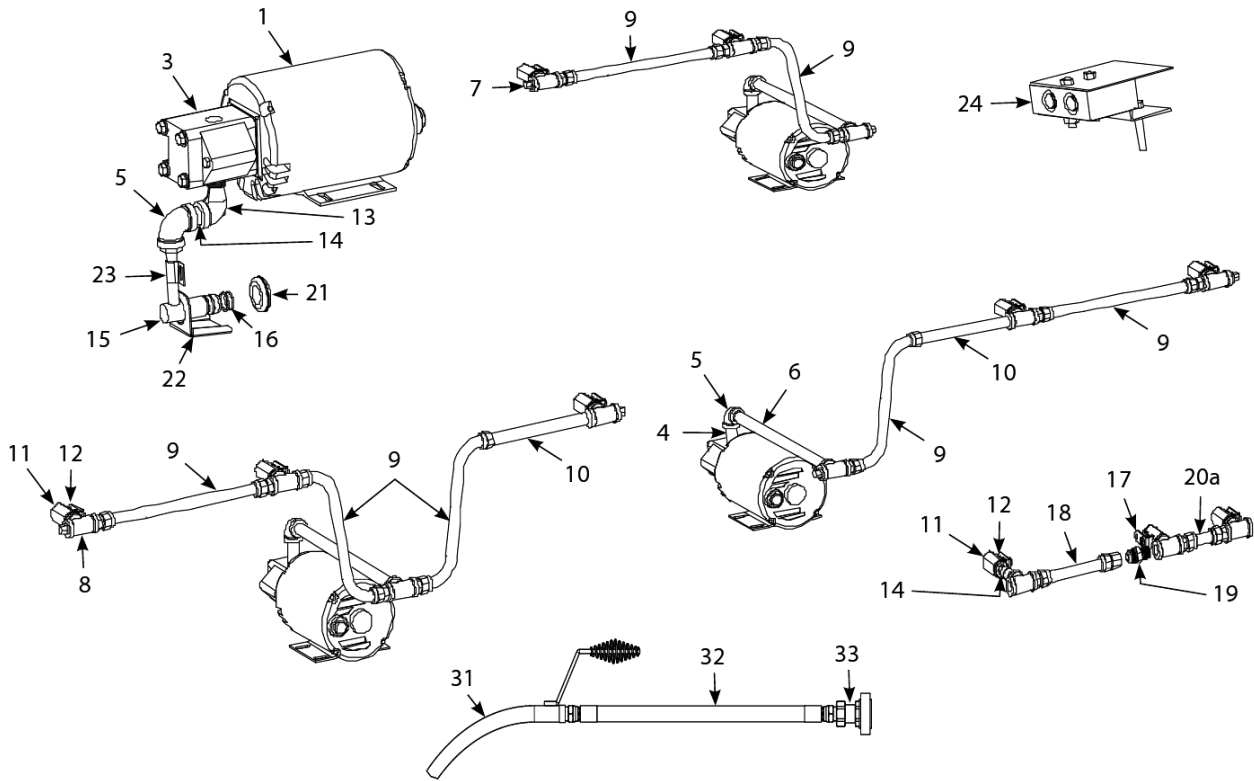
#	PART #	DESCRIPTION	QTY	Note
1	8067433SP	Complete Assembly, Left	1	[1]
1a	1062671	Bracket Assembly, Dual-Vat Left Drain Safety Switch	1	
1b	2109922	Handle, Dual Vat BIH52 Left Drain Valve	1	
1c	9012348	Cover, Dual-Vat Left Drain Safety Switch	1	
1d	8067432SP	Complete Assembly, Right	1	[1]
1e	1062672	Bracket Assembly, Dual-Vat Right Drain Safety Switch	1	
1f	2023916	Handle, DV Drain Valve, Right	1	
1g	9022348	Cover, DV Safety Switch	1	
2	8101338	Valve, 1-inch, Universal Ball	1	
3	9002355	Bracket, Dual Vat Drain Valve	1	
4	8090196	Washer, 0.375-inch SAE Flat	1	
5	8101165	Washer, Teflon Drain Valve	1	
6	8140047	Cap, Vinyl Red	1	
7	9002934	Retainer, Dual-Vat Drain Valve Nut	1	
8	8090539	Nut, 0.375-16 2-Way Lock	1	
9	8160220	Insulation, Microswitch	1	
10	8072103	Microswitch	1	
11	8261366	Nut - #4-40 Keps Hex	25	
12	8068791SP	Complete Assembly	1	[2]
13	8101020	Valve, 1-inch Full-Vat Drain	1	
13a	8101018	Drain Valve, 1.25", Left	1	
14	9002521	Handle, CE Full Vat BIH52 Drain Valve	1	
15	8140047	Cap, Vinyl Red	1	
16	9002936	Retainer Nut (FV)	1	
17	8090540	Nut, Lock 0.5-inch-13 Hex 2-Way ZP	1	
18	8068137	Bracket Assembly, Full-Vat Drain Safety Switch	1	
19	8160220	Insulation, Microswitch	1	
20	8072103	Microswitch	1	
21	9002841	Cover, Full Vat Drain Safety Switch	1	
22	8261366	Nut - #4-40 Keps Hex	25	
23	9002354	Bracket, Full Vat Drain Valve	1	

**PART NOTES:**

- [1] - does not include Items 3 and 7
- [2] - does not include Item 10

# H50 Series Gas Fryers

## Filter Magic Oil Return Plumbing Components





# H50 Series Gas Fryers

## Filter Magic Oil Return Plumbing Components

#	PART #	DESCRIPTION	QTY	Note
1	8261712	Motor and Gasket Kit - 115V/50-60 Hz	1	
1a	8261756	Motor and Gasket Kit - 208V/50-60 Hz	1	
1b	8261270	Motor and Gasket Kit - 220-240V/50-60 Hz	1	
1c	8160093	Gasket - Pump/Motor	1	
2	80711973	Pump Seal Kit - Viking	1	[1]
2a	8066728SP	Pump Motor to Filter Box Wiring Assembly	1	[2]
3	8261264	Pump Kit - 4 GPM	1	[3]
3a	8160093	Gasket - Pump/Motor	1	
4	8261360	Screw - #10-24 x 0.3125" Round Slot Head ZP	25	
5	8100180	Handle	1	[4]
6	8130368	Nipple, 0.5-inch x 16-inch	1	
7	8130463-FRY	Plug - 0.5" NPT	1	
8	8130003-FRY	Tee - 0.5" NPT	1	
9	8101057	Flexline - Oil Return - 13" L	1	[5]
10	8130275	Nipple, 0.5-inch x 9-inch	1	
11	8100278	Valve, 0.5" Ball	1	
12	2025721	Handle, Valve	1	
12a	2015721	Handle, Left Dual-Vat Valve	1	
13	8130165	Elbow - 0.5" x 90° NPT Street	1	
14	8130022	Nipple, 0.5" Close NPT BM	1	
15	8231356	Disconnect Fitting Male	1	
16	8261392	O-Ring	5	
17	2015721	Handle, Left Dual-Vat Valve	1	
18	8101159	Flexline - Oil Return - 5" L	1	[5]
19	8101668	Male Adaptor - 0.625" OD x 0.5"	1	[6]
19a	8101669	Female Adaptor - 0.875" OD x 0.5"	1	[6]
20	8261890	Flexline - Oil Return - 7" L	1	[7]
20a	8101160	Flexline - Oil Return - 3" L	1	[5]
21	8160102	Grommet, Oil Diverter	1	
22	9001472	Diverter, Oil	1	
23	9101627	Support Bracket - Male Disconnect	1	
24	8064694SP	Contactora Block Assembly	1	
25	8130117	Nipple, 0.75-inch x 3.5-inch	1	
26	8071600	Thermal Switch, Baldor Motor, 120VAC	1	
26a	8071601	Thermal Switch, Baldor Motor, 240VAC	1	
26b	8071598	Thermal Switch, Magnatek Motor, 120VAC	1	
26c	8071599	Thermal Switch, Magnatek Motor, 240VAC	1	
26d	8101062	Cable, Filter Box Lower 9-Pin Plug to 15-Pin (C2) Connector	1	
27	8067020SP	Heater Assembly Strip, 120 VAC 50W, 70-inch	1	
27a	8071408	Heater Strip - 120V/50W - 70"	1	
27b	8067021SP	Heater Assembly Strip, 250 VAC 90W, 70-inch	1	
27c	8072348	Heater Strip - 250V/90W - 70"	1	
28	8110861	Foam Insulation – by the foot	1	[8]
29	8110746-FRY	Aluminum Tape – 50 yard roll	1	[9]
30	8067459SP	Assembly, Oil Disposal Wand	1	
31	8100603	Wand, FB Filter	1	

# H50 Series Gas Fryers

## Filter Magic Oil Return Plumbing Components

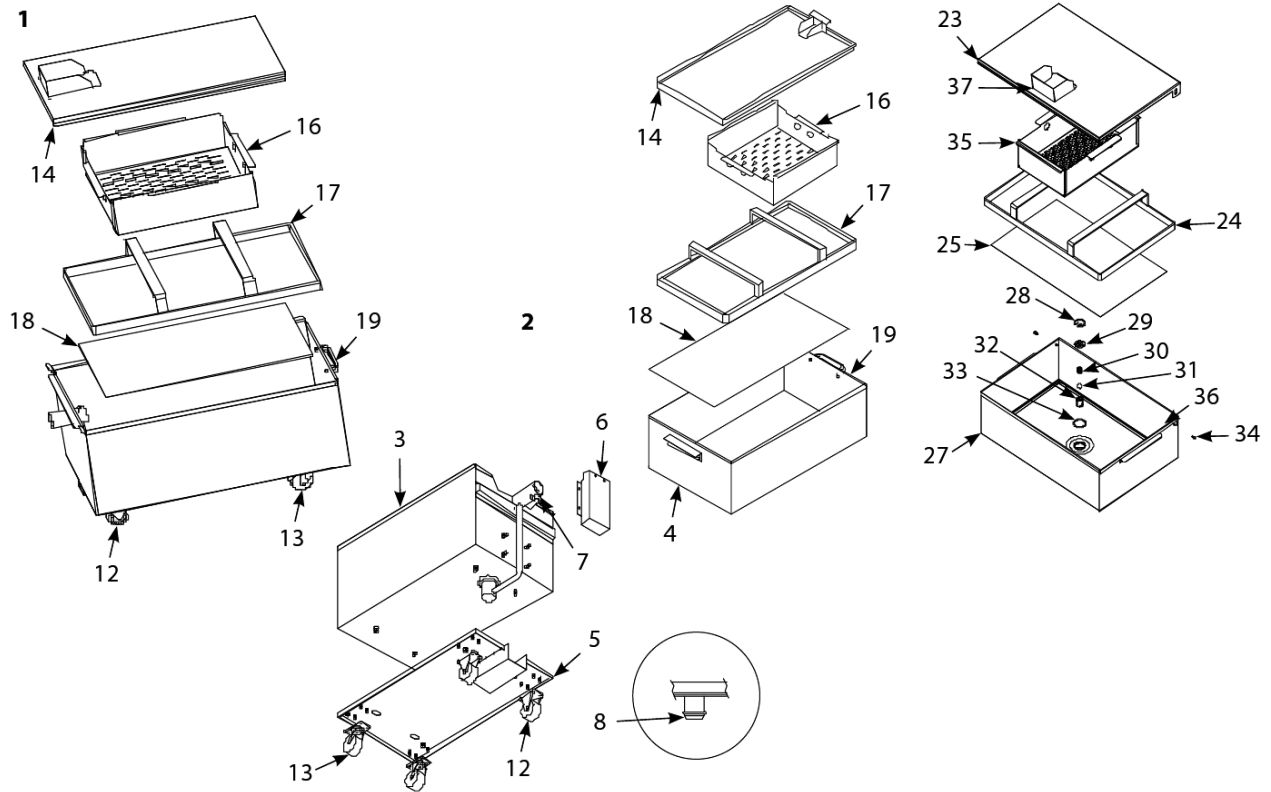
#	PART #	DESCRIPTION	QTY	Note
32	8101471	Hose, 24 FPH50 Japan	1	
33	8100490	Quick Disconnect, 0.25-inch Female	1	

**PART NOTES:**

- [1] - gasket, shaft seal, and two O-rings
- [2] - this component is furnished with above motors
- [3] - with mounting screws
- [4] - for use on bases built before August 1997
- [5] - two female ends
- [6] - used with Item 18
- [7] - Items 18, 19, and 8101669
- [8] - (by the foot)
- [9] - 2-inch x 50-yard (46m) roll

# H50 Series Gas Fryers

## Filtration Systems and Component Parts - Filter Magic II & III



# H50 Series Gas Fryers

## Filtration Systems and Component Parts - Filter Magic II & III

#	PART #	DESCRIPTION	QTY	Note
1	8069255SP	Filter Pan Assembly	1	[1]
1a	1060089SP	One-Piece Filter Pan Assembly with Magnasol Leaf (Carl's Jr.)	1	
1b	8232751SP	One-Piece Pan Only	1	
2	8066093SP	Two-Piece Pan Assembly, Complete	1	[2]
3	8231360SP	Outer Pan Assembly	1	
4	8231731SP	Inner Pan Assembly	1	
5	8231361	Base, Filter Pan Assembly	1	
6	8240291	Cover, Suction Tube	1	
7	9101350	Clamp - Suction Tube	1	
8	8160117PK	O-Ring - 0.609 OD - QTY 10	1	
9	8064373	Heater Strip Assembly	1	
10	8110861	Foam Insulation – by the foot	1	
11	8110746-FRY	Aluminum Tape – 50 yard roll	1	[3]
12	8102807	Caster - 2" Rigid	1	
13	8102805	Caster - 2"	1	
14	8231930	Components Used on Both Designs, Cover, Drain Pan	1	
15	8069079SP	Cover, Drain Pan Assy. W/ Handle	1	
16	8240416	Crumb Screen	1	
17	8101406	Hold Down Ring Assembly	1	
18	8103537	Screen, Sana Grid	1	
19	8100180	Handle	1	
20	8030170	Filter Paper, 16.5" x 25.75"	100	
21	8030002	Powder, Filter	80	
22	8065618SP	Pan Assembly, Filter	1	[4]
23	8232027	Cover, Filter Pan	1	
24	8101408	Ring, Hold Down	1	
25	8103537	Screen, Sana Grid	1	[5]
26	8068551SP	Inner Pan Assembly w/ check valve	1	
27	8231979SP	Pan, Filter	1	
27a	8261490	Kit, Filter Pan Check Valve Service	1	[6]
28	8101387	Check Valve Retainer	1	
29	9005448	Strainer, Check Valve	1	
30	8100946	Spring, Check Valve	1	
31	8100948	Ball, Check Valve	1	
32	8101388	Check Valve Tube	1	
33	8160597PK	O-Ring, Check Valve - QTY 6	1	
34	8090422	Screw, 10-32 x 0.4375-inch Slotted Truss Head	1	
35	8237846	Screen, Crumb	1	
36	8090028	Nut, Wld 10-32 Sngl Wng	1	
37	9104816	Splash Guard - Filter Lid	1	
38	8261486	Kit, Swivel for FPIII Service	1	
39	8030170	Filter Paper, 16.5" x 25.75"	100	
40	8030002	Powder, Filter	80	

**PART NOTES:**

[1] - Items 12, 13, 17, 18, and 19

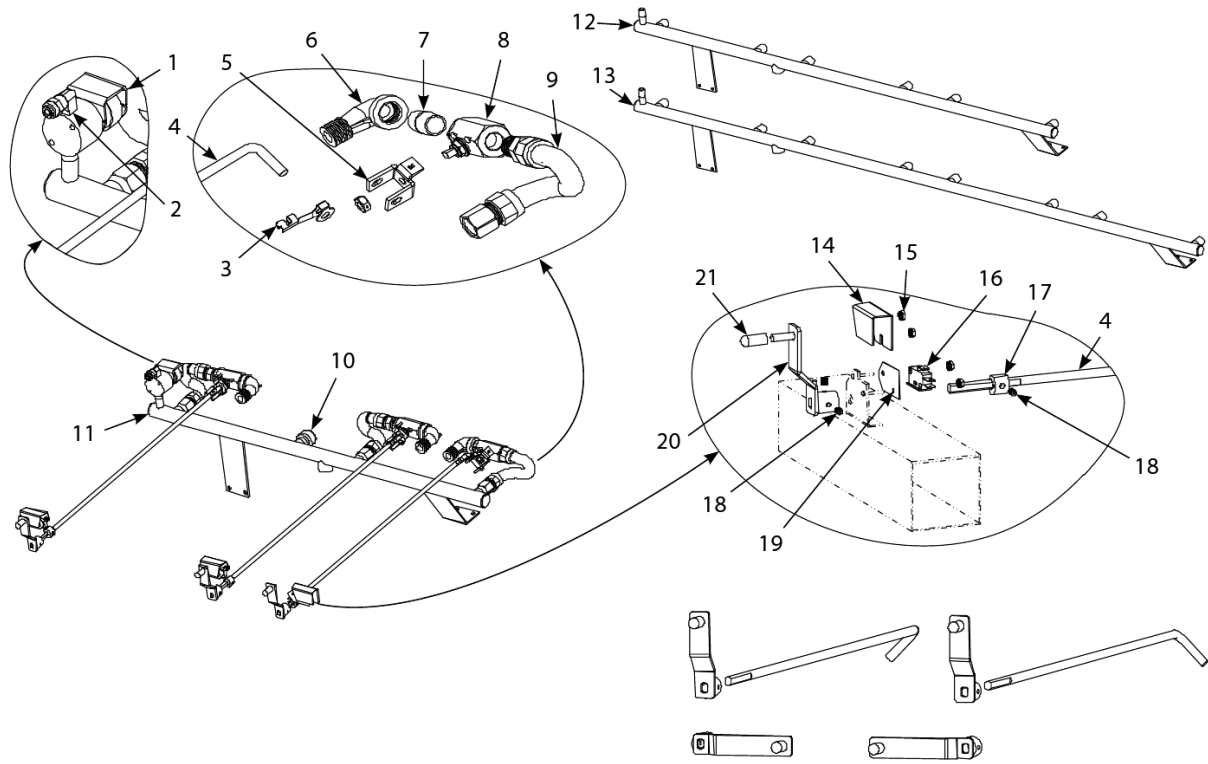
# H50 Series Gas Fryers

## Filtration Systems and Component Parts - Filter Magic II & III

#	PART #	DESCRIPTION	QTY	Note
[2]	-	Unique components are listed below.		
[3]	-	50-yard (46m) roll		
[4]	-	Items 1 through 11		
[5]	-	without holes		
[6]	-	consists of Items 28 through 33		

# H50 Series Gas Fryers

## Filtration Systems and Component Parts - Rear Flush Oil Return



# H50 Series Gas Fryers

## Filtration Systems and Component Parts - Rear Flush Oil Return

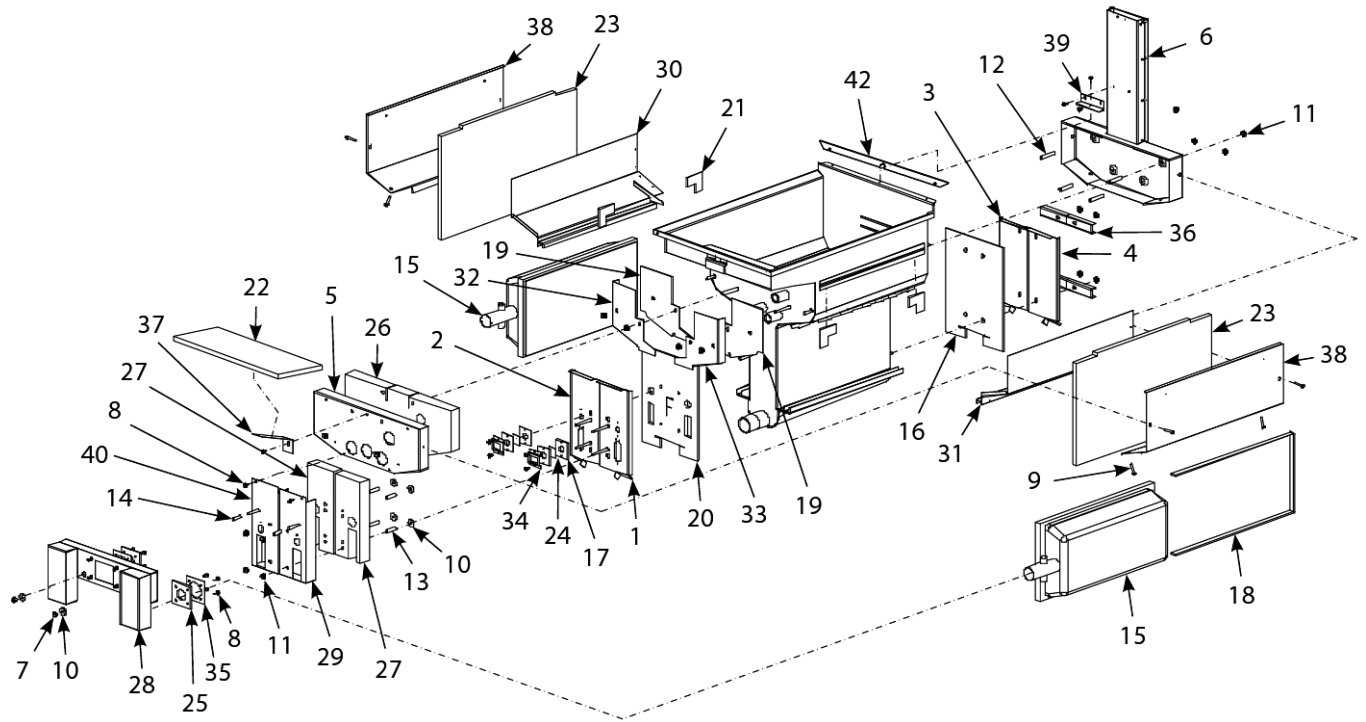
#	PART #	DESCRIPTION	QTY	Note
1	8072484	Solenoid Valve - 0.25"	1	
2	8103904	Quick Connect - 0.25" x 90°	1	
2a	8110932	Vent Tube, Teflon 0.375" OD Bulk	1	
3	8090601	Clip, Clevis	1	
4	8101767	Shaft, Rear Flush Valve (For use in left oil return valve assemblies)	1	
4a	8101766	Shaft, Rear Flush Valve (For use in right oil return valve assemblies)	1	
5	9012772	Handle, Valve Rear Flush LT	1	
5a	9022772	Handle, Valve Rear Flush RT	1	
6	8130165	Elbow - 0.5" x 90° NPT Street	1	
7	8130022	Nipple, 0.5" Close NPT BM	1	
8	8100278	Valve, 0.5" Ball	1	
8a	9002935	Retainer, Nut Oil Return Valve	1	
8b	8101003	Valve, 180° 3-way Ball	1	
9	8069828SP	Flexline - Oil Return - 9" L	1	
10	8130469	Cap, 0.5-inch NPT Pipe	1	
11	8101360	Manifold, BIH252 Rear Flush Oil Return	1	
12	8101357	Manifold, BIH352 Rear Flush Oil Return	1	
13	8101378	Manifold, BIH452 Rear Flush Oil Return	1	
14	9012214	Cover, BIH52 Rear Flush Oil Return Microswitch, For use in left handle and switch assemblies.	1	
14a	9022214	Cover, BIH52 Rear Flush Oil Return Microswitch, For use in right handle and switch assemblies.	1	
15	8261366	Nut - #4-40 Keps Hex	25	
16	8072103	Microswitch	1	
17	8101186	Cam, Filter System Microswitch	1	
18	8261377	Setscrew, 10-32 x 0.25-inch	25	
19	8160220	Insulation, Microswitch	1	
20	8232295	Handle, Rear Flush, For use in Non-CE applications	1	
20a	8232259	Handle, Rear Flush, For use in CE applications only	1	
21	8121253SP	Cover, Rear Flush Handle	1	

NOTE: Left and right refer to the fryer as viewed from the front when facing the fryer.

# H50 Series Gas Fryers

Frypot Assemblies and Component Parts - Full Vat Frypot Assembly, Component Parts,

## Replacement Frypots





# H50 Series Gas Fryers

## Frypot Assemblies and Component Parts - Full Vat Frypot Assembly, Component Parts,

### Replacement Frypots

#	PART #	DESCRIPTION	QTY	Note
1	8233316	Retainer W/A, Inner Right Front FV	1	
1a	2000934	Retainer, Full Vat Right Inner Combustion Chamber Insulation	1	[1]
2	8233315	Retainer W/A, Inner Left Front FV	1	
2a	2000935	Retainer, Full Vat Left Inner Combustion Chamber Insulation	1	[1]
3	2000936	Back, Left Full Vat Combustion Chamber	1	
4	2000937	Back, Right Full Vat Combustion Chamber	1	
5	2002227	Retainer, Full Vat Frypot Outer Front Insulation	1	
6	1061019SP	Flue Assembly, FV	1	
6a	8065859SP	Flue Assembly, Full Vat	1	[1]
7	8261372	Nut Grip 0.25-inch 0.25-20 Hex NP	10	
8	8261371	Screw - #8 x 0.5" Hex Head ZP	25	
9	8090362	Screw, 8 x 1.25-inch Hex Washer Head Drill Point	1	
10	8261383	Washer, 0.75-inch O.D. x 0.25-inch I.D. ZP	5	
11	8090804	Nut, 0.25- inch - 20 Keps Hex	1	
12	8100406	Spacer, 0.25-inch x 1.4375-inch	1	
13	8261340	Spacer, .25-inch x 1.187-inch	10	
14	8100500	Spacer, .25-inch x .9375-inch	1	
15	8261072	Kit, Burner Replacement, Natural and Propane Gas	1	
15a	8261073	Kit, Burner Replacement, Manufactured Gas	1	
16	8120355	Insulation, Full Vat Rear Combustion Chamber	1	
17	8120356	Insulation, Burner Sight Glass	1	
18	8120357	Insulation, HE Burner	1	[2]
19	8120404	Insulation, Frypot Seal	1	[3]
20	8120457	Insulation, Full Vat Inner Combustion Chamber	1	
21	8120706	Insulation, Upper Burner Rail	1	
22	8120993	Insulation, Frypot Upper	1	
23	8121029	Insulation, Combustion Chamber Side	1	
24	8140048SP	Glass, Burner Sight	1	
25	8160057	Gasket, Plenum	1	
26	8160560	Insulation, Full Vat Frypot Outer Front	1	
27	8160561	Insulation, Full Vat Combustion Chamber Outer	1	
28	8230969	Plenum	1	
28a	8231048	Plenum	1	
29	8233304	Combustion Chamber Outer Front, Right	1	
29a	8231169SP	Retainer, Full Vat Right Outer Combustion Chamber Insulation	1	
30	8231777	Rail, Full Vat Left Burner	1	
31	8233142	Rail, Full Vat Right Burner	1	
32	8240863	Seal, Full Vat Frypot Left	1	
33	8240864	Seal, Full Vat Frypot Right	1	
34	9001031	Retainer, Burner Sight Glass	1	
35	9001049	Retainer, Plenum Gasket	1	
36	9001221	Retainer, Full Vat Combustion Chamber Back	1	
37	9001515	Retainer, Frypot Upper Insulation	1	
38	9004452	Retainer, Frypot Side Insulation	1	
39	9300818	Bracket, Flue to Pot	1	

# H50 Series Gas Fryers

## Frypot Assemblies and Component Parts - Full Vat Frypot Assembly, Component Parts,

### Replacement Frypots

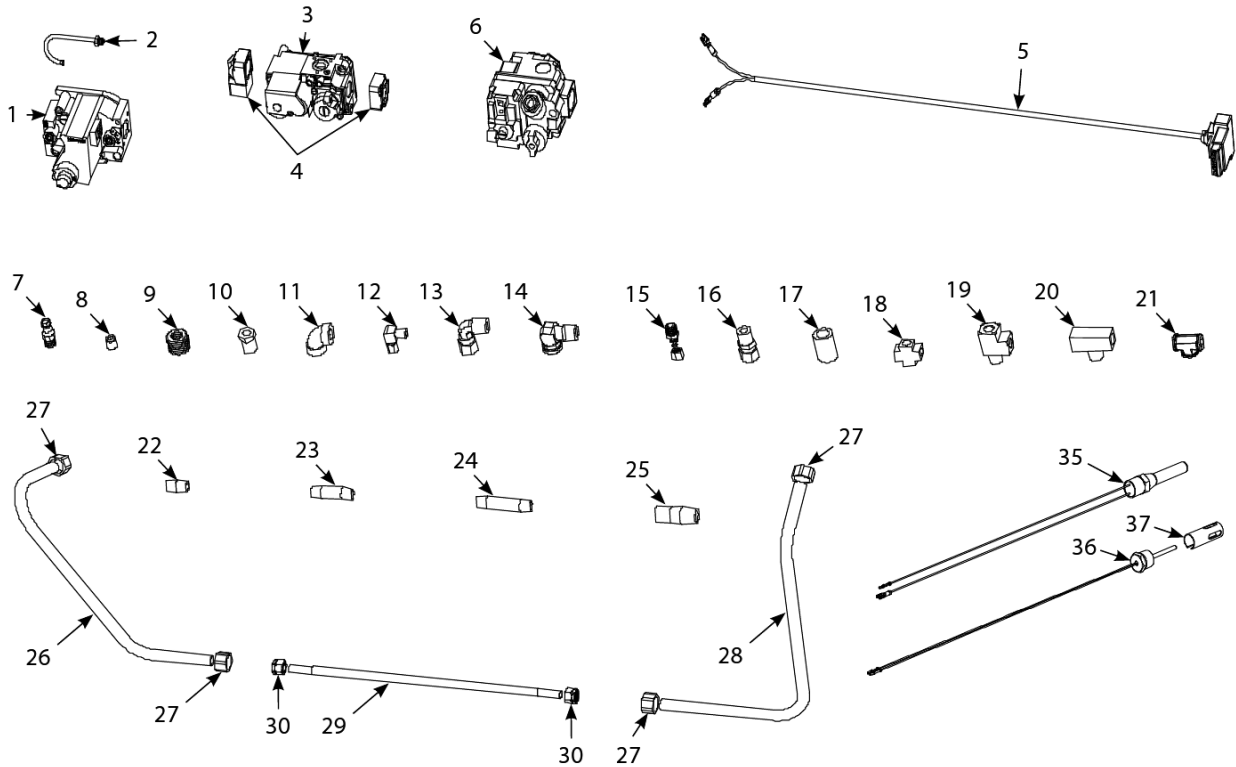
#	PART #	DESCRIPTION	QTY	Note
40	8233305	Combustion Chamber Outer Front, Left	1	
40a	82311691SP	Retainer, Full Vat Left Outer Combustion Chamber Insulation	1	
41	8090500	Screw, 10 x 0.5-inch Hex Washer Head 410 SS	1	
42	9004253	Strip, Fluecap Retainer	1	
43	8130463-FRY	Plug - 0.5" NPT	1	[4]
43a	8130336	Plug, 0.5-inch NPT SS	1	[4]
44	9102474	Pot-to-Pot Gap Clip	1	
45	9000857	Bracket, BIH52 Frypot Mounting	1	
46	1061026	Replacement Frypot Assemblies, Complete, Full Vat, Non-Filter, Natural Gas	1	
46a	1061049SP	Replacement Full Vat Frypot Kit (Natural Gas (G20/G25))	1	
46b	1061050SP	Replacement Full Vat Frypot Kit (Propane/Butane (G30/G31))	1	
46c	1061047SP	Replacement Frypot Assemblies, Complete, Full Vat, Power Shower, w/Four Holes, Natural Gas* Replaced by 1061049SP	1	
46d	1061048SP	Replacement Frypot Assemblies, Complete, Full Vat, Power Shower, w/Four Holes, Propane Gas* Replaced by 1061050SP	1	
46e	1061043SP	Replacement Full Vat Frypot Kit (Manufactured Gas)	1	
46f	1061058	Replacement Frypot Assemblies, Complete, Dual Vat, Power Shower, Natural Gas	1	
46g	1061079SP	Replacement Dual Vat Frypot Kit (Natural Gas (G20/G25))	1	
46h	1061080SP	Replacement Dual Vat Frypot Kit (Propane/Butane Gas)	1	
46i	1061066SP	Replacement Dual Vat Frypot Kit (Manufactured Gas)	1	
46j	1061070SP	Replacement Frypot Assemblies, Complete, Dual Vat, Rear Flush (KFC, Natural Gas)	1	
46k	1061071SP	Replacement Frypot Assemblies, Complete, Dual Vat, Rear Flush (KFC, Propane Gas)	1	
47	8260929	Full Vat Insulation Kit	1	
47a	8260931	Burner Insulation Kit Full Vat	1	
47b	8260930	Dual Vat Insulation Kit	1	
47c	8260932	Burner Insulation Kit Dual Vat	1	
48	8261881SP	Hardware Kit, FV Frypot	1	
48a	8261882	Hardware Kit, DV Frypot	1	
49	1061019SP	Flue Assembly, FV	1	
49a	1061018SP	Flue Assembly, Dual Vat	1	
50	8233315	Retainer W/A, Inner Left Front FV	1	
50a	8233316	Retainer W/A, Inner Right Front FV	1	

#### PART NOTES:

- [1] - before 09/01
- [2] - 0.5-inch x 36-inches
- [3] - for left and right
- [4] - for blocking unneeded ports

# H50 Series Gas Fryers

## Gas Valves, Gas Lines, Fittings, Probe, Probe Guard and Thermostat



# H50 Series Gas Fryers

## Gas Valves, Gas Lines, Fittings, Probe, Probe Guard and Thermostat

#	PART #	DESCRIPTION	QTY	Note
1	8261122	Valve, Non-CE, Natural Gas G20, G25	1	
1a	8261123	Valve, Non-CE, Propane Gas G30, G31	1	
1b	8261576	CE Gas Valve Kit	1	
2	8100691	Tube, 0.125-inch Vent	1	[1]
2a	8101166	Vent Tube CE	1	[1]
3	8101715	Valve, CE Gas G20, G25, G30, G31	1	
4	8101041	Gas valve accessory kit	1	[2]
5	8069678SP	Plug Assy, CE Gas Valve	1	[3]
6	8071229	Gas Valve, Manufactured Gas	1	
7	8101176	Tap, 0.125-inch NPT Pressure	1	
8	8130568	Plug, 0.125" SS NPT, Sq-Head	1	
9	8130304	Bushing, 0.5-inch NPT to 0.25-inch NPT Flush Reducing	1	
10	8101006	Bushing, 0.25-inch NPT to 0.125-inch NPT Reducing	1	
11	8130004	Elbow, 90° x 0.125-inch NPT	1	
12	8130354	Elbow, 0.125-inch NPT X 0.125-inch Tube Compression	1	[4]
13	8130302	Elbow, 0.25-inch Male NPT to 0.375-inch Tube 90°	1	[4]
14	8130502	Elbow, 90° Street x 0.25-inch	1	[4]
15	8130340	Adapter, 0.125-inch NPT to 0.125-inch Tube	1	[4]
15a	8100502	Enrichment Tube, 8.5-inch	1	[5]
16	8101025	Connector, 0.25-inch Male NPT to 0.375-inch Tube	1	[4]
17	8130507	Coupling, 0.25-inch NPT	1	[4]
18	8130378	Fitting, 0.125-inch NPT Cross	1	[4]
19	8101026	Tee, 0.25-inch Male NPT to Female NPT Street	1	[4]
20	8130495	Tee, 0.25-inch Male NPT to Female NPT	1	[4]
21	8130377	Tee, 0.125-inch Female NPT	1	[4]
22	8130016	Nipple, 0.125-inch NPT Close	1	
23	8130315	Nipple, 0.125-inch NPT x 1.5-inch	1	
24	8130405	Nipple, 0.125-inch NPT x 2-inch	1	
25	8130471	Nipple, 0.25-inch NPT x 1.5-inch	1	
26	9003693	Gas Tube (Left), H50 FV Manufactured Gas	1	[6]
27	8100503	Compression Nut (Ferrule), 0.5-inch Manufactured Gas Tube	1	
28	9003692	Gas Tube (Right), H50 FV Manufactured Gas (pre-formed)	1	
28a	9003691	Gas Tube (Left and Right), H50 DV Manufactured Gas (pre-formed)	1	
29	8101353	Gas Line, 0.375-inch OD X 9-inch SS Flexible	1	[7]
29a	8101354	Flexible Stainless Steel Gasline (Flexline), 0.375-inch OD, 12-inch	1	[8]
29b	8101355	Gas Line, 0.375-inch OD X 15-inch SS Flexible	1	[9]
30	8100494	Compression Nut (Ferrule), 0.375-inch Flexible Gas Line	1	
31	8110752	Enrichment Tube, 5.5-inch	1	
31a	8110756	Enrichment Tube, 8.5-inch	1	
31b	8110800	Enrichment Tube, 12.5-inch	1	
31c	8111197	Tube, 18-inch Enrichment	1	
31d	9007450	Enrichment Tube, 0.125-inch OD, 20-inch (51 cm)	1	
32	8110759	Variable Length	1	[10]
33	8101166	Vent Tube CE	1	[3]
34	8130340	Adapter, 0.125-inch NPT to 0.125-inch Tube	1	

# H50 Series Gas Fryers

## Gas Valves, Gas Lines, Fittings, Probe, Probe Guard and Thermostat

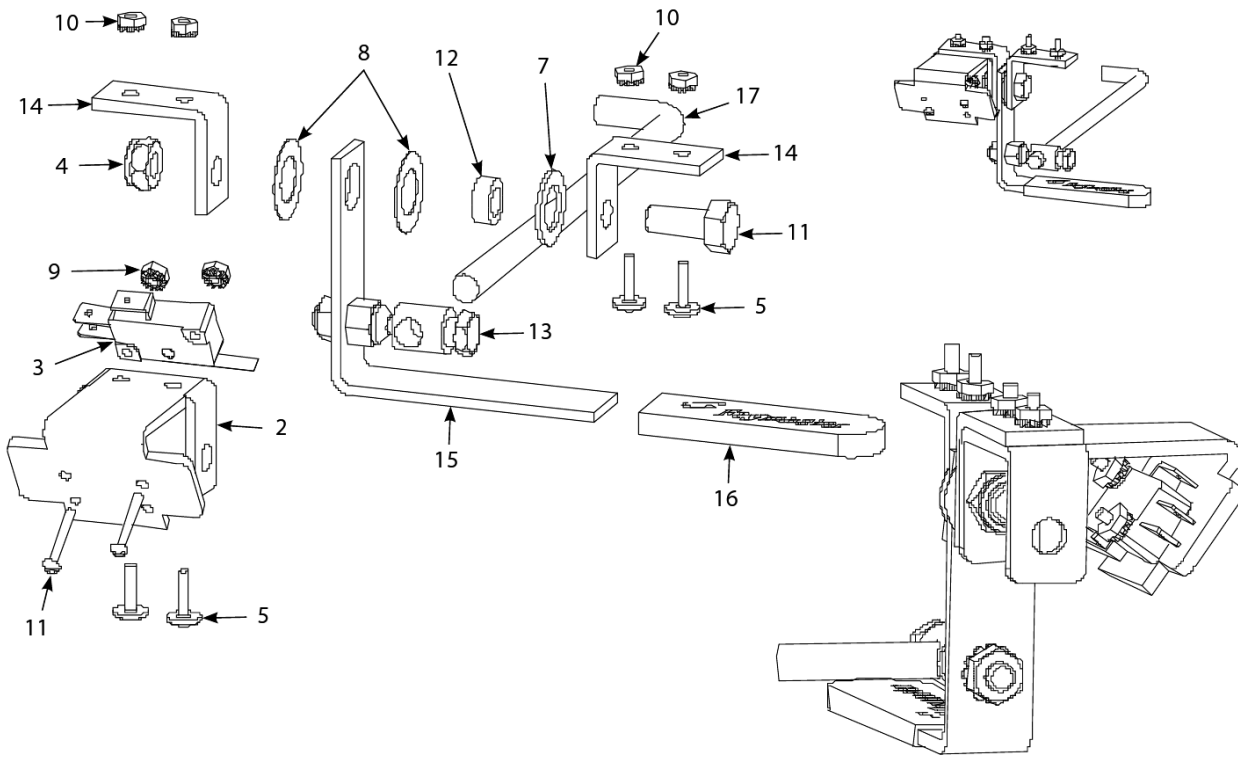
#	PART #	DESCRIPTION	QTY	Note
34a	8100502	Enrichment Tube, 8.5-inch	1	
35	8261177	Thermostat, High-Limit 425°F/218°C	1	[11]
36	8064206	Probe Assembly, Temperature	1	
37	2100681	Probe Guard	1	[12]

### PART NOTES:

- [1] - used with Item 1
- [2] - 2 straight and 2 elbow flanges, screws, O-rings, LP gas spring
- [3] - used with Item 3
- [4] - Brass
- [5] - with Item 6 only; Brass
- [6] - pre-formed
- [7] - 8261530 Kit includes 2 of Item 30
- [8] - 8261531 Kit includes 2 of Item 30
- [9] - 8261532 Kit includes 2 of Item 30
- [10] - sold by the foot
- [11] - 425°F/218°C
- [12] - replaced 8100625

# H50 Series Gas Fryers

## Oil Return Handle Assembly, Filter Magic & Standard FootPrint III



# H50 Series Gas Fryers

## Oil Return Handle Assembly, Filter Magic & Standard FootPrint III

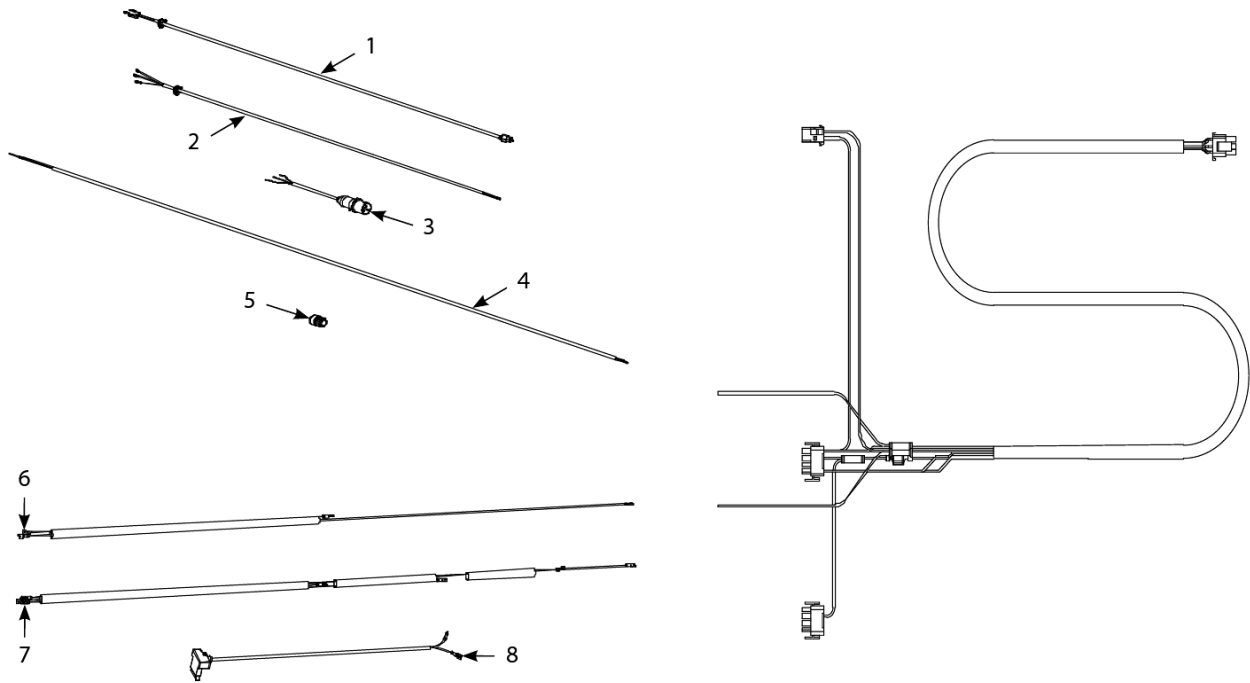
#	PART #	DESCRIPTION	QTY	Note
1	8063470SP	Handle and Switch Assembly, Right	1	[1]
1a	8063471SP	Handle and Switch Assembly, Left	1	[1]
2	2000821	Bracket, Handle and Microswitch	1	
3	8072103	Microswitch	1	
4	8090056	Nut - 0.3125"- 24, Hex Head, Nylon Lock	1	
5	8090103	Screw, 8-32 x 0.5-inch NP	1	
6	8090142	Screw, 0.3125 – 24 x 0.75" Hex Head	1	
7	8090200	Washer, Flat	1	
8	8261381	Washer, Nylatron	10	
9	8261366	Nut - #4-40 Keps Hex	25	
10	8090247	Nut - #8-32 Keps Hex	1	
11	8261359	Screw - #4-40 x 0.75" Slotted Round Head	25	
12	8100220	Spacer, Tubular, .493 OD	1	
13	8100285	Swivel Fitting, Oil Return Valve Linkage	1	
14	8101999	Bracket, Valve Handle	1	
15	9200831	Handle, Oil Return	1	
16	8140047	Cap, Vinyl Red	1	
17	9100832	Rod, Oil Return Valve	1	[2]
18	8100278	Valve, 0.5" Ball	1	
19	8261878	Kit, Brace Filter	1	

### PART NOTES:

- [1] - Items 2-16
- [2] - must be ordered separately from assemblies

# H50 Series Gas Fryers

## Power Cords and Gas Valve Wiring





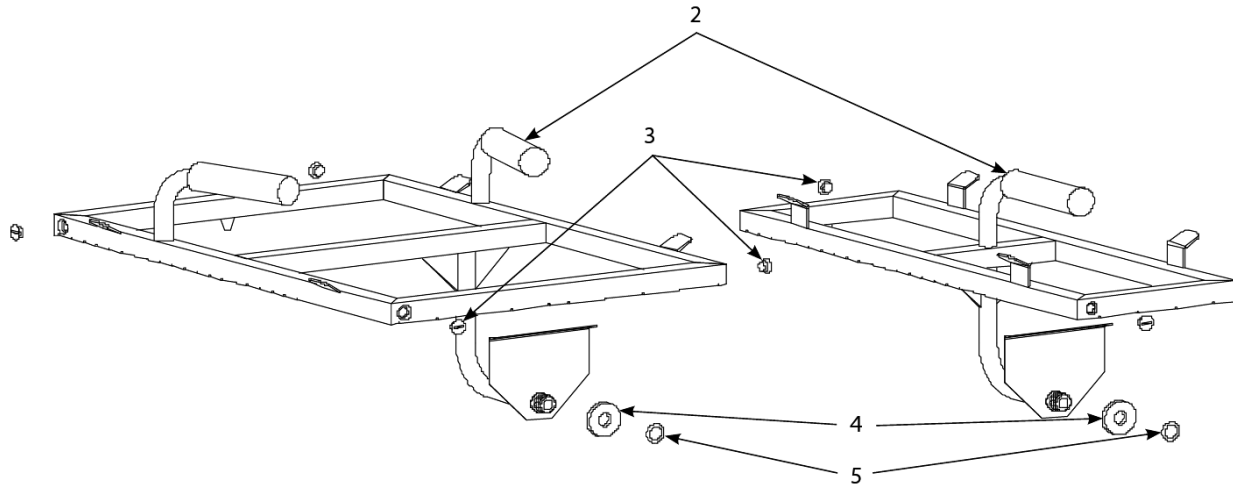
# H50 Series Gas Fryers

## Power Cords and Gas Valve Wiring

#	PART #	DESCRIPTION	QTY	Note
1	8065332SP	Electrical Cord - 3-Wire/3-Prong Plug	1	
1a	8067742SP	Power Cord - 120V Fryer and Motor with Ring Terminals	1	
1b	8070154	Power Cord - 120V w/Ground Plug	1	
2	8066229SP	Power Cord - 240V w/o Plug	1	
3	8071696	3-Wire with 3-Pin Sleeved Plug, 230V	1	
4	8071685	Power Cord - 450V - 18A - 110-inch, 3-wire, 16-gauge	1	
5	8071560	Strain Relief	1	
6	8063941SP	Harness, Full Vat Gas Valve	1	
7	8063940SP	Harness, Dual Vat Gas Valve	1	
8	8069678SP	Plug Assy, CE Gas Valve	1	
9	8071978	Main Wiring Harness 250/450	1	
9a	8062076SP	U.S. and Non-CE Export (before 05/95)	1	
9b	8062077SP	U.S. and Non-CE Export (DV before 05/95)	1	
10	8072168	CE MH/BIH52 Main Wiring Harness	1	
11	8062071	Cable, Computer/Controller to Interface Board	1	
11a	8072275	Interface Harness- Computer to Interface Board (MFG Gas Only)	1	
12	8072657	Ferrite Collar Bead	1	

# H50 Series Gas Fryers

## Power Shower Assemblies (All Models)



# H50 Series Gas Fryers

## Power Shower Assemblies (All Models)

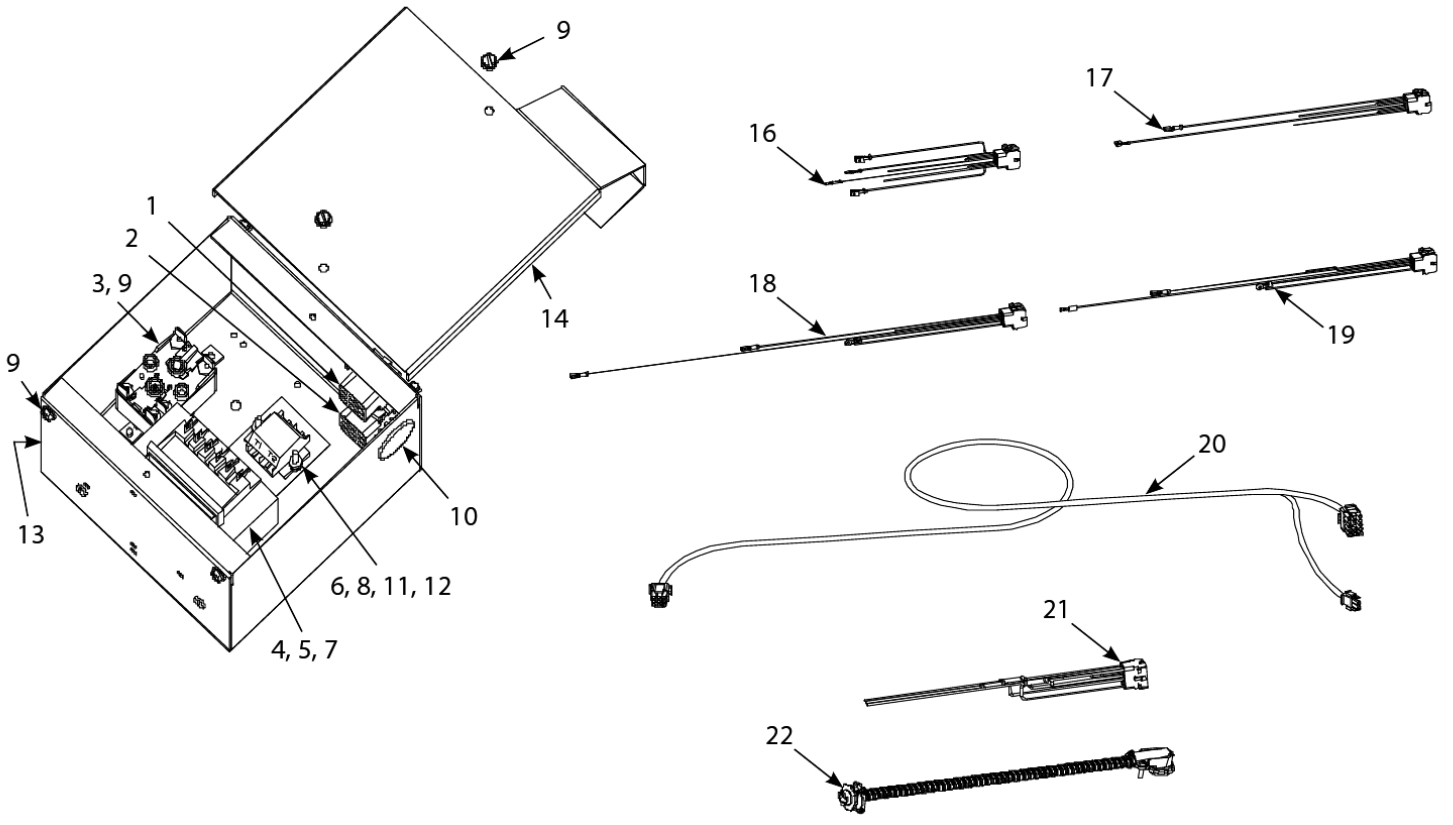
#	PART #	DESCRIPTION	QTY	Note
1	8064442SP	Power Shower Assembly, Full Vat, Complete	1	
1a	8064476SP	Power Shower Assembly, Dual Vat, Complete	1	
2	8140001	Grip, Power Shower Handle	1	
3	8090415	Screw, Power Shower Cleanout	1	
4	8261390	Seal	5	[1]
5	8261344	O-Ring	5	

**PART NOTES:**

[1] - Gasket

# H50 Series Gas Fryers

Relays, Transformers, Wiring Assemblies and Related Parts - Filter Box Components,  
Wiring Harnesses, Wiring



# H50 Series Gas Fryers

## Relays, Transformers, Wiring Assemblies and Related Parts - Filter Box Components,

### Wiring Harnesses, Wiring

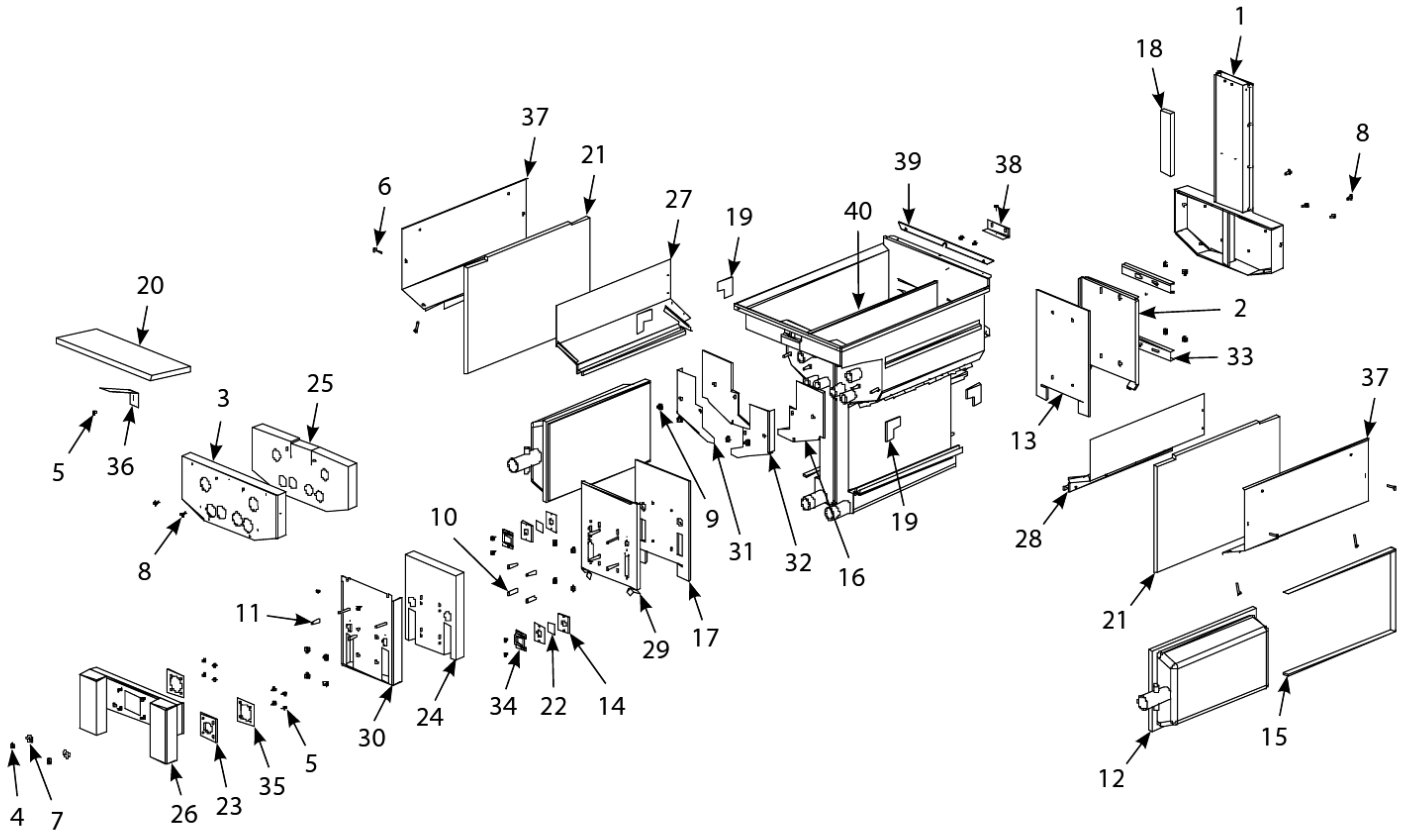
#	PART #	DESCRIPTION	QTY	Note
1	8066725SP	Plug Assembly - CE Upper 9-Pin - 230V	1	
1a	8068021SP	Plug Assembly - 120V Upper 9-Pin	1	
2	8066719SP	100/120V Non-CE Export and 230V CE Lower 9-Pin Plug Assembly	1	
2a	8067494SP	Plug Assembly - 120V Lower 9-Pin	1	
3	8072434	Relay, Shunt 24V Coil Amp	1	
3a	8070012	Filter Relay - 18A 24VAC	1	
4	8074978	Transformer - Dual Voltage 100-120V/12V 30VA /24V 50VA	1	
4a	8070855	Transformer - 120V/50-60 Hz - 12V 20VA	1	
4b	8070800	Transformer, 100-120V/24V 50VA Filter and MIB	1	
4c	8075129	Transformer - Dual Voltage 208-240V	1	
5	8090096	Screw, 6-32 x 0.625-inch Slot Head	1	
6	8261366	Nut - #4-40 Keps Hex	25	
7	8090250	Nut, 6-32 Keps Hex	1	
8	8261359	Screw - #4-40 x 0.75" Slotted Round Head	25	
9	8090360	Screw, 8 x 0.375-inch Hex Washer Slot Head	1	
10	8100044	Plug, .875 Button	1	
11	8101164	Block, One-Piece Screwless Terminal	1	
12	8160217	Insulation, Terminal Block Paper	1	
13	9005250	Box, Filter	1	
14	9005530	Cover, Filter Box	1	
15	8101062	Cable, Filter Box Lower 9-Pin Plug to 15-Pin (C2) Connector	1	
16	8068021SP	Plug Assembly - 120V Upper 9-Pin	1	
17	8067494SP	Plug Assembly - 120V Lower 9-Pin	1	[1]
18	8066725SP	Plug Assembly - CE Upper 9-Pin - 230V	1	
19	8066719SP	100/120V Non-CE Export and 230V CE Lower 9-Pin Plug Assembly	1	
20	8101062	Cable, Filter Box Lower 9-Pin Plug to 15-Pin (C2) Connector	1	
20a	1083098	Wiring Harness - Main Power	1	
20b	8072000	Cable, C2 Connector to Component Box (units w/Basket Lift)	1	
21	8072001	Cable, 15-Pin C2 Connector to Filter Terminal Block	1	
22	8066728SP	Pump Motor to Filter Box Wiring Assembly	1	
22a	8064347	Pump Motor to Filter Box Wiring Assembly, Filter Magic	1	
23	8073695	Basket Lift Cable	1	
24	8070160	12-Pin Male	1	
25	WIR0129SP	FPH150 Rear Ext. Box	1	
26	WIR0233SP	100-250V CE and Non-CE Export Filter Box Internal Wiring	1	
27	WIR0234SP	120V U.S. Filter Box Internal Wiring Bundle	1	
28	WIR0355SP	FPH150 Rear Ext. Box	1	[2]

#### PART NOTES:

- [1] - Main
- [2] - Panda Express

# H50 Series Gas Fryers

## Single and Dual Frypot Assemblies and Component Parts - Dual Vat Frypot



# H50 Series Gas Fryers

## Single and Dual Frypot Assemblies and Component Parts - Dual Vat Frypot

#	PART #	DESCRIPTION	QTY	Note
1	1061018SP	Flue Assembly, Dual Vat	1	
2	2000941	Back, Dual Vat Combustion Chamber	1	
3	2002229-ORA	Low Pressure Cut-out Switch	1	
4	8261372	Nut Grip 0.25-inch 0.25-20 Hex NP	10	
5	8090360	Screw, 8 x 0.375-inch Hex Washer Slot Head	1	
6	8090362	Screw, 8 x 1.25-inch Hex Washer Head Drill Point	1	
7	8261383	Washer, 0.75-inch O.D. x 0.25-inch I.D. ZP	5	
8	8090500	Screw, 10 x 0.5-inch Hex Washer Head 410 SS	1	
9	8090804	Nut, 0.25- inch - 20 Keps Hex	1	
10	8261340	Spacer, .25-inch x 1.187-inch	10	
11	8100500	Spacer, .25-inch x .9375-inch	1	
12	8261072	Kit, Burner Replacement, Natural and Propane Gas	1	
12a	8261073	Kit, Burner Replacement, Manufactured Gas	1	
13	8120354	Burner Insulation Kit Dual Vat, Insulation, Full Vat Rear Combustion Chamber	1	
14	8120356	Insulation, Burner Sight Glass	1	
15	8120357	Insulation, HE Burner	1	[1]
16	8120404	Insulation, Frypot Seal	1	[2]
17	8120458	Burner Insulation Kit Dual Vat, Insulation, Full Vat Inner Combustion Chamber	1	
18	8120688	Insulation, Flue Collection	1	
19	8120706	Insulation, Upper Burner Rail	1	
20	8120993	Insulation, Frypot Upper	1	
21	8121029	Insulation, Combustion Chamber Side	1	
22	8140048SP	Glass, Burner Sight	1	
23	8160057	Gasket, Plenum	1	
24	8160558	Insulation, Dual Vat Combustion Chamber Outer Lower	1	
25	8160559	Insulation, Dual Vat Frypot Outer Front	1	
26	8230970	Plenum, Dual-Vat	1	
26a	8231049	Plenum, For use on units with Air Switch. HE Dual Vat European	1	
26b	8232181	Plenum, For use on JBIH152 models only.	1	
27	8232822	Rail, Dual Vat Left Burner Side W/A	1	
28	8232823	Rail, Dual Vat Right Burner Side W/A	1	
29	8233302	Retainer, Lower Front Insulation	1	
29a	8230983SP	Retainer, Dual Vat Inner Combustion Chamber Insulation	1	
30	8233303	Combustion Chamber Outer Front	1	
30a	8230968SP	Retainer, Dual Vat Outer Combustion Chamber Insulation	1	
31	8240865	Seal, Dual Vat Frypot Left	1	
32	8240866	Seal, Dual Vat Frypot Right	1	
33	9000914	Retainer, Dual Vat Combustion Chamber Back	1	
34	9001031	Retainer, Burner Sight Glass	1	
35	9001049	Retainer, Plenum Gasket	1	
36	9001515	Retainer, Frypot Upper Insulation	1	
37	9004452	Retainer, Frypot Side Insulation	1	
38	9300818	Bracket, Flue to Pot	1	
39	9004253	Strip, Fluecap Retainer	1	

# H50 Series Gas Fryers

## Single and Dual Frypot Assemblies and Component Parts - Dual Vat Frypot

#	PART #	DESCRIPTION	QTY	Note
40	8240541	Riser, DV Pot Divider W/A	1	
41	9102474	Pot-to-Pot Gap Clip	1	
42	8130463-FRY	Plug - 0.5" NPT	1	[3]
42a	8130336	Plug, 0.5-inch NPT SS	1	[3]
43	9000857	Bracket, BIH52 Frypot Mounting	1	

**PART NOTES:**

- [1] - 0.5-inch x 36-inches
- [2] - for left and right
- [3] - for blocking unneeded ports