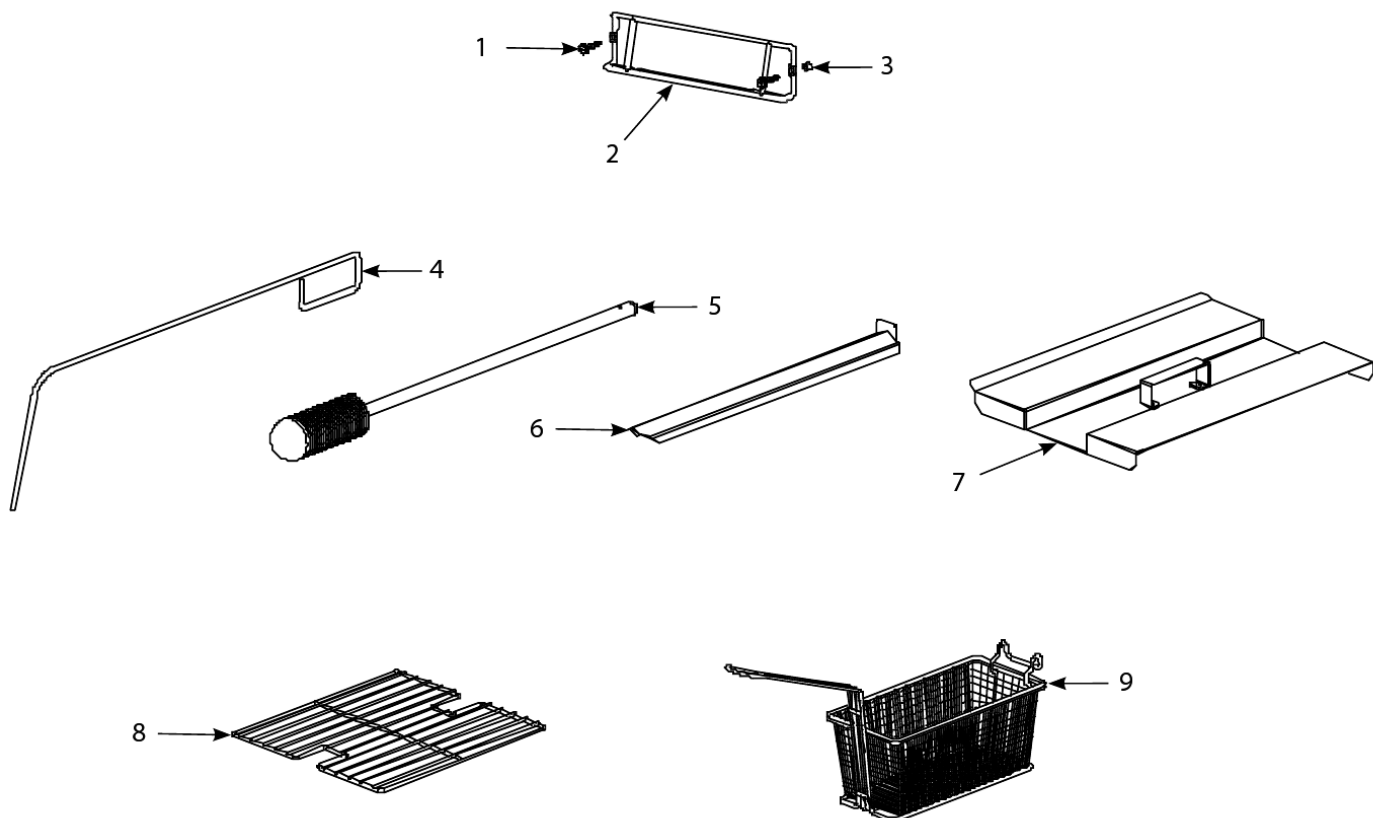


Navy Surface Ship Electric Fryers Models H14SC-H17SC-H22SC Single Series

Accessories



Navy Surface Ship Electric Fryers Models H14SC-H17SC-H22SC Single Fryers, FPH17SC Series

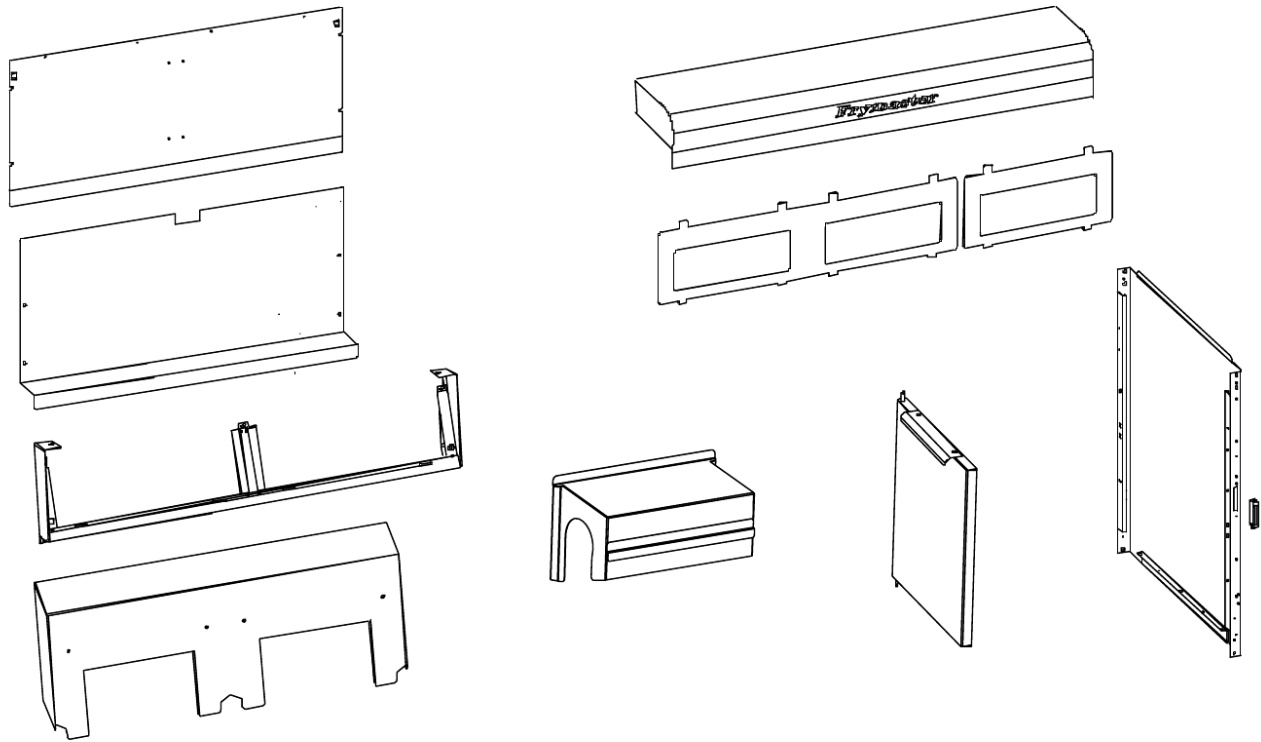
Accessories

#	PART #	DESCRIPTION	QTY	Note
1	8090171	Thumbscrew, 0.25-20 x 1.375-inch Thumbscrew, 0.25 -20 X 1.375-inch	1	
2	8102793	Hanger - Wireform Basket	1	
3	8090921-FRY	Spacer, Basket Hanger	1	
4	8030197	Fryer's Friend	1	
5	8030209	Brush, Frypot	1	
6	8236009	Connecting Strip, Frypot	1	
7	8064041	Cover, Full-Vat Frypot	1	
8	8030132	Rack, Full-Vat Basket Support	1	
9	8030271	Basket, Twin SizeBasket, Twin	1	
10	8130188	Drain Nipple, Extended	1	
10a	8232109	Drain Pan, Military	1	
11	8030002	Powder, Filter Powder, Filter (80-8oz. Applications)	1	
12	8030170	Filter Paper, 16.5" x 25.75"Paper, Filter (100-Sheet Pack)	1	

Accessories

Navy Surface Ship Electric Fryers Models H14SC-H17SC-H22SC Single Fryers, FPH17SC Series

Cabinetry - Backs, Control Panels, Doors, Handles, Sides, Tilt Housings & Top Caps



Cabinetry - Backs, Control Panels, Doors, Handles, Sides, Tilt Housings & Top Caps

Navy Surface Ship Electric Fryers Models H14SC-H17SC-H22SC Single Fryers, FPH17SC Series

Cabinetry - Backs, Control Panels, Doors, Handles, Sides, Tilt Housings & Top Caps

#	PART #	DESCRIPTION	QTY	Note
1	2300675	Back Panel, Upper - Single	1	
1a	2300676	Back Panel, Upper - Two Station Fryer	1	
1b	2300677	Back Panel, Upper - Three Station Fryer	1	
1c	2300546	Back Panel, Upper - Four Station Fryer	1	
2	2300672	Back Panel, Center - Single	1	
2a	2300673	Back Panel, Center - Two Station Fryer	1	
2b	2300674	Back Panel, Center - Three Station Fryer	1	
2c	2300500	Back Panel, Center - Four Station Fryer	1	
3	1065016	Frame, Control Panel - Single	1	
3a	1065221	Frame, Control Panel - Two Station Fryer	1	
3b	1065018	Frame, Control Panel - Three Station Fryer	1	
3c	1067533	Frame, Control Panel - Four Station Fryer	1	
4	8235567	Tilt Housing - Single	1	
4a	8235484	Tilt Housing - Two Station Fryer	1	
4b	8245493	Tilt Housing - Three Station Fryer	1	
4c	8236054	Tilt Housing - Four Station Fryer	1	
5	2601230SP	Top Cap - Single	1	
5a	1065196	Top Cap - Two Station Fryer	1	
5b	1065197	Top Cap - Three Station Fryer	1	
5c	1067531	Top Cap - Four Station Fryer	1	
6	2009614	Heat Shield - Single	1	
6a	2009610	Heat Shield - Two/Four Station Fryer	1	
6b	2009611	Heat Shield - Three Station Fryer	1	
7	1064979	Door Assembly - Single	1	[1]
7a	8241516	Door, Universal Single	1	
7b	2109215	Liner, Door Universal Single	1	
7c	8090500	Screw, 10 x 0.5-inch Hex Washer Head 410 SSScrew, #10 – 0.5 Hex TR HD SS	1	
8	8261343	Spring - Door Pin HingeSpring, Door Pin Hinge	10	
8a	2109188	Hinge, Door Single	1	
8b	1064769	Door, Left or Right	1	[2]
9	8090266	Screw, 10 x 0.5-inch Phillips Head ZPTwo and Three Station Fryers, Screw, #10 X 0.5-inch Phillips Truss Head	1	
10	2109214	Two and Three Station Fryers, Handle, Door	1	
11	1064067SP	Door Pin Assembly	1	
11a	8261343	Spring - Door Pin Hinge	10	
12	2311558	Side, Cabinet Left, Single	1	
12a	2310326	Side, Cabinet Left, Two or Three Station	1	
12b	2321558	Side, Cabinet Right, Single	1	
12c	2320326	Side, Cabinet Right, Two or Three Station	1	
13	8101105	Door Magnet - Vertical	1	
14	8090123	Screw - #10 x 0.75" - Slot HeadScrew, #10 –0.75 Truss Slotted Head	1	
15	8261376	Nut - #10-32 Keps HexNut KEPS 10-32 HX ZP	10	
16	8090970	Retaining RingRetaining Ring – Door Hinge Pin	1	
17	9100915	Handle (Grab Rail) – (For handle end)	1	
17a	8230839	Handle (Grab Rail) – (For handle end) Single Station Fryer	1	

Cabinetry - Backs, Control Panels, Doors, Handles, Sides, Tilt Housings & Top Caps

Navy Surface Ship Electric Fryers Models H14SC-H17SC-H22SC Single Fryers, FPH17SC Series

Cabinetry - Backs, Control Panels, Doors, Handles, Sides, Tilt Housings & Top Caps

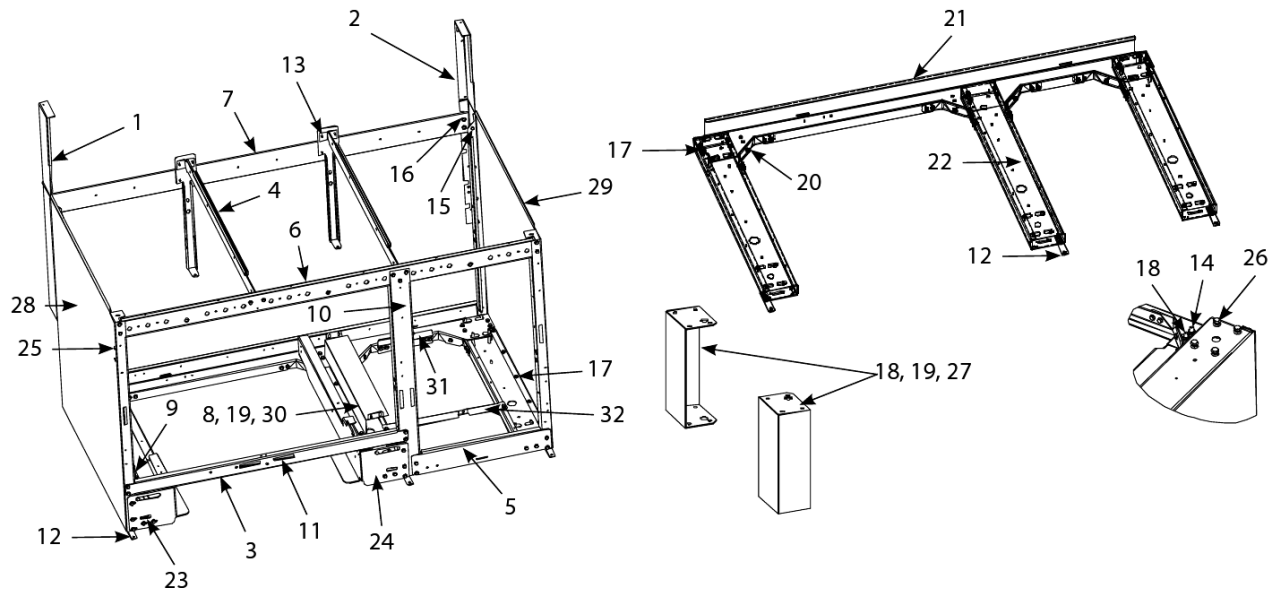
#	PART #	DESCRIPTION	QTY	Note
17b	8232908	Handle (Grab Rail) – (For handle end) Two Station Fryer	1	
17c	8234585	Handle (Grab Rail) – (For handle end) Three Station Fryer	1	
17d	8236049	Handle (Grab Rail) – (For handle end) Four Station Fryer	1	
18	8235440	Cove, Element Tilt Housing	1	
19	2302191	Bezel, One-Controller	1	
20	2302097	Bezel, Two/Four-Controller	1	
21	2302193	Bezel, Three-Controller	1	

PART NOTES:

- [1] - includes items below plus Two and Three Station Fryers, Handle, Door
- [2] - Left shown – move handle to opposite side for Right

Navy Surface Ship Electric Fryers Models H14SC-H17SC-H22SC Single Fryers, FPH17SC Series

Cabinetry - Cabinets, Bases, Braces, and Associated Parts



Cabinetry - Cabinets, Bases, Braces, and Associated Parts

Navy Surface Ship Electric Fryers Models H14SC-H17SC-H22SC Single Fryers, FPH17SC Series

Cabinetry - Cabinets, Bases, Braces, and Associated Parts

#	PART #	DESCRIPTION	QTY	Note
1	1063828	Upright Assembly, Left	1	
2	1063829	Upright Assembly, Right	1	
3	2001651	Support, Cross Cabinet	1	
4	2001659	Divider, Cabinet	1	
5	2002293-FRY	Brace, Lower Front	1	
6	2007036	Brace, Front Horizontal, Single-Station Fryer	1	
6a	2007037	Brace, Front Horizontal, Two-Station Fryer	1	
6b	2007038	Brace, Front Horizontal, Three-Station Fryer	1	
6c	2007039	Brace, Front Horizontal, Four-Station Fryer	1	
7	2005356	Brace, Rear Horizontal, Single-Station Fryer	1	
7a	2002284	Brace, Rear Horizontal, Two-Station Fryer	1	
7b	2002295	Brace, Rear Horizontal, Three-Station Fryer	1	
7c	2002725	Brace, Rear Horizontal, Four-Station Fryer	1	
8	2220610	Bracket, Right Hand Mounting	1	
9	2210610	Bracket, Left Hand Mounting	1	
10	2004424	Post, Door	1	
11	8102346	Door Magnet - Horizontal	1	
12	2106862	Hinge, Door	1	
13	8241488	Bracket, Rear Support	1	
14	8261389	Screw - 0.25"-20 x 0.75" Hex Head ZPBolt, 0.25-20 X 0.75-inch Hex Head	10	
15	8261330	Screw, 10-32 x 0.375-inch Slot Head SSScrew, 10-32 X 0.375-inch Slotted	1	[1]
16	8261376	Nut - #10-32 Keps Hex	10	
17	8261374	Screw - #10 x 0.5" Hex HeadScrew, #10 X 0.5-inch Hex Washer Head	25	[2]
18	8261368	Nut - 0.25-20 Serrated Flange	1	[3]
19	8090429	Bolt - 0.25"- 20 x 2.00" Hex Head ZP TapBolt, 0.25-20 X 2-inch Hex Head	1	
20	2005417	Brace, Rear Channel Corner	1	
21	8235589	Channel, Base Rear, Single-Station Fryer	1	
21a	1064901	Channel, Base Rear, Single-Station Fryer	1	[4]
21b	8234558	Channel, Base Rear, Two-Station Fryer	1	
21c	1062744	Channel, Base Rear, Two-Station Fryer (Double Base Assembly)	1	
21d	8234560	Channel, Base Rear, Three-Station Fryer	1	
21e	1062745	Channel, Base Rear, Three-Station Fryer (Triple Base Assembly)	1	
21f	8234561	Channel, Base Rear, Four-Station Fryer	1	
21g	1062746	Channel, Base Rear, Four-Station Fryer (Quad Base Assembly)	1	
22	8241131	Channel, Base Side	1	
23	2004408	Rail, Left FilterSupport, Left Filter Pan	1	
24	2004409	Rail, Right FilterSupport, Right Filter Pan	1	
25	8090079	Nutsert, 0.25" - 20	1	
26	8090191	Washer, Lock 0.25 Spring ZPWasher, 0.25" Lockspring	1	
27	8234386	Leg, Navy Shipboard	1	
28	2310349	Side, LH Cabinet	1	

Cabinetry - Cabinets, Bases, Braces, and Associated Parts

Navy Surface Ship Electric Fryers Models H14SC-H17SC-H22SC Single Fryers, FPH17SC Series

Cabinetry - Cabinets, Bases, Braces, and Associated Parts

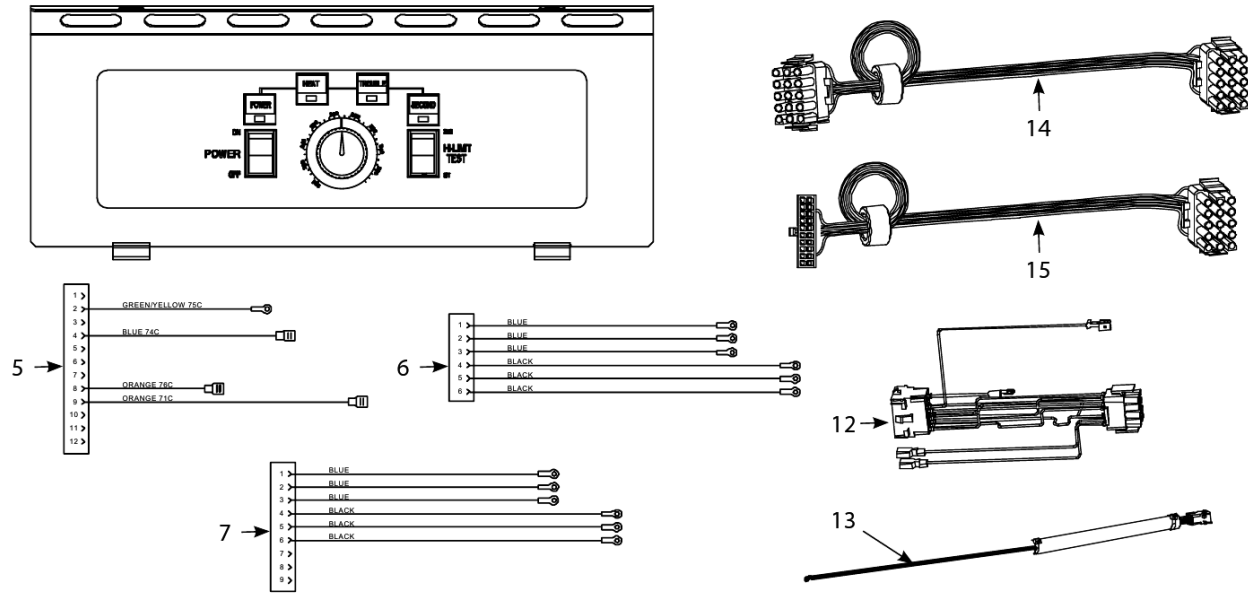
#	PART #	DESCRIPTION	QTY	Note
29	2320349	Side, RH Cabinet	1	
30	8090190	Washer, .625 X .275 X 40 Flat SS Washer, Flat 0.625"x 0.275"x 40 SS	1	
31	2201095	Support, Rear Contactor Box	1	
31a	2201192	Support, Rear Contactor Box (for Singles)	1	
32	2201093	Support, Front Contactor Box	1	
32a	2201193	Support, Front Contactor Box (for Singles)	1	
33	8234584	Bar, Filter Pan Lock	1	

PART NOTES:

- [1] - Pkg. of 25, used to attach contactor box
- [2] - Primary cabinet screw
- [3] - used with Side Channel Brace
- [4] - Single Base Non-Filter Assembly

Navy Surface Ship Electric Fryers Models H14SC-H17SC-H22SC Single Fryers, FPH17SC Series

Controller And Associated Parts



Controller And Associated Parts

Navy Surface Ship Electric Fryers Models H14SC-H17SC-H22SC Single Fryers, FPH17SC Series

Controller And Associated Parts

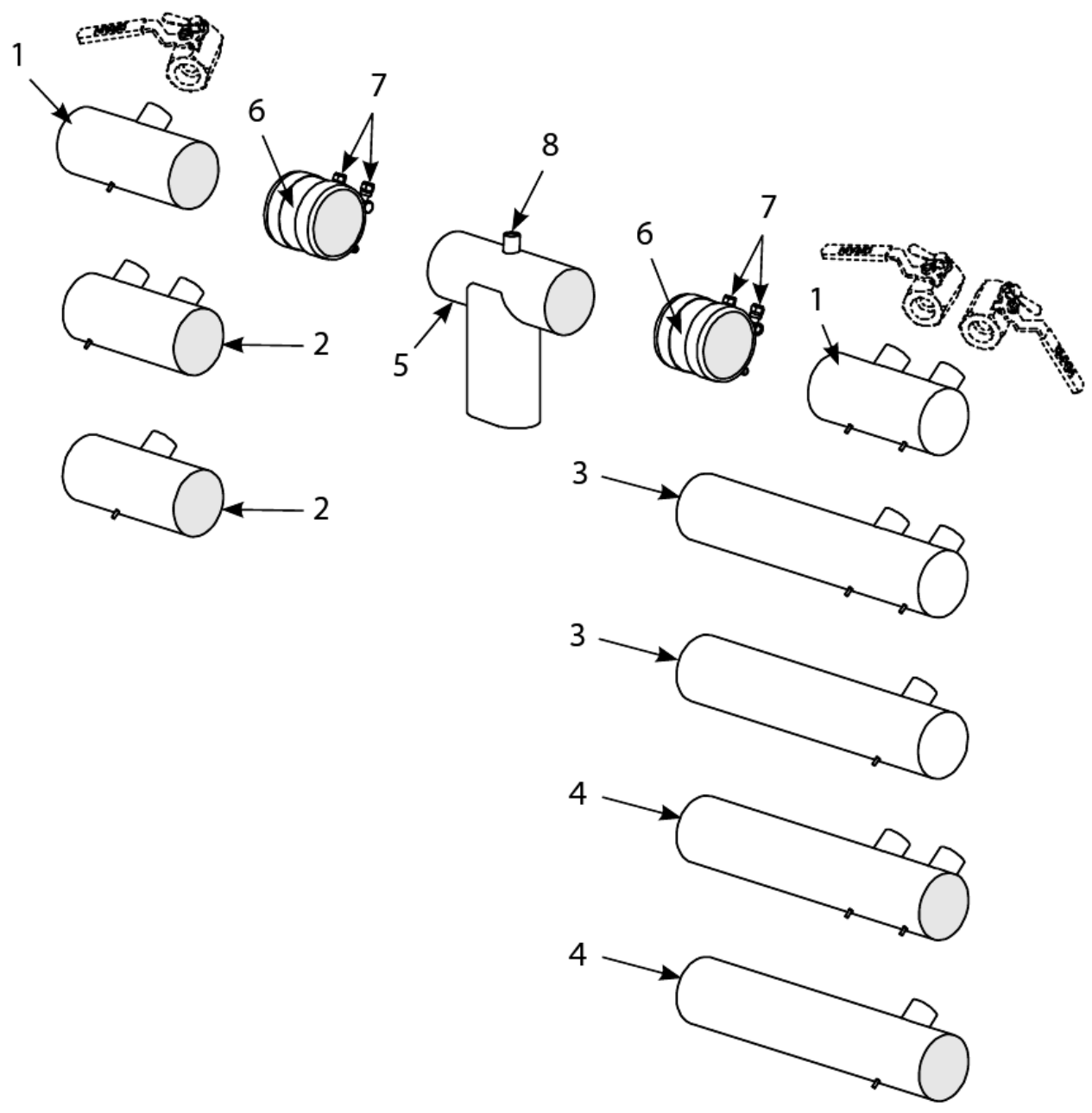
#	PART #	DESCRIPTION	QTY	Note
1	8063798	Controller	1	
2	8100387	Knob	1	
3	8070812	Power Switch	1	
4	8070811	High-Limit Switch	1	
5	1066031	Contactora Box Wiring Assembly – 12-Pin Full-Vat C-1	1	
6	1066281	Contactora Box Wiring Assemblies – 6-Pin (Left Element) 14/17 kW	1	
6a	1066054	Contactora Box Wiring Assemblies – 6-Pin (Left Element) 22 kW	1	
7	1066282	Contactora Box Wiring Assemblies – 9-Pin (Right Element) 14/17kW	1	
7a	1066055	Contactora Box Wiring Assemblies – 9-Pin (Right Element) 22 kW	1	
8	8074195	Wiring Harness	1	
9	8070159	12-Pin Female12-Pin Female Connector	1	[1]
10	8070160	12-Pin Male12-Pin Male Connector	1	[2]
11	8070804	15-Pin Male15-Pin Male Connector	1	[3]
12	1065750	Harness, Full Vat AssemblyFull Vat Control Harness J4 to J2	1	[4]
13	1065935	Filter Pump C2 to Component Box Wiring Harness	1	
14	8062071SP	Standard Controller to Interface Board	1	
15	8074199	Cable, 20-pin Controller to 15-pin Interface Board – SMT for Fryer's with CM 3.5 controller.SMT Controller to Interface Board Wiring Harness	1	

PART NOTES:

- [1] - Rear of Fryer
- [2] - Contactora Box
- [3] - Rear of Component Box
- [4] - WIR0765 – Navy Jumper Wire Kit is needed with this harness

Navy Surface Ship Electric Fryers Models H14SC-H17SC-H22SC Single Fryers, FPH17SC Series

Drain System Components - Drain Tube Sections and Associated Parts



Drain System Components - Drain Tube Sections and Associated Parts

Navy Surface Ship Electric Fryers Models H14SC-H17SC-H22SC Single Fryers, FPH17SC Series

Drain System Components - Drain Tube Sections and Associated Parts

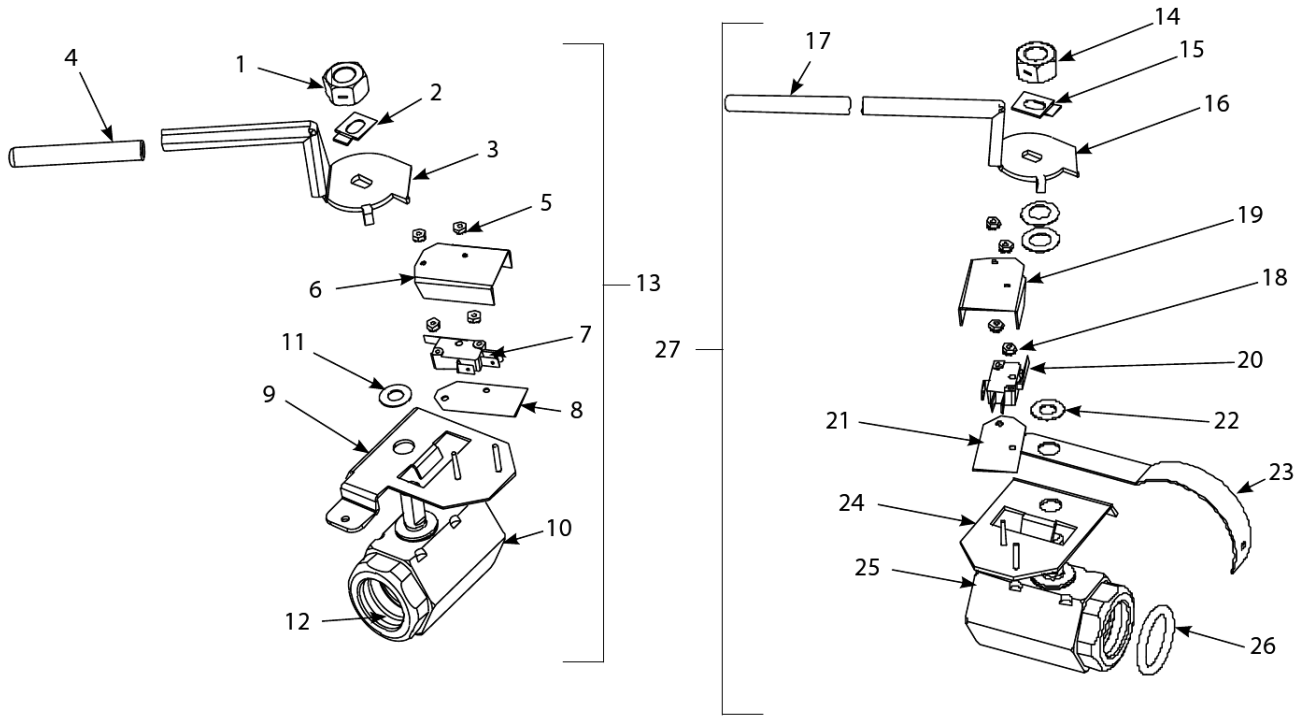
#	PART #	DESCRIPTION	QTY	Note
1	8234625	Drain Tube, Short Full-Vat Left Open/Right End Closed Tube, Left/Right End Short, Full-Vat 3"	1	
1a	8234624	Drain Tube, Left/Right End Short, Dual-Vat 3"	1	
2	8234643	Drain Tube, Full-Vat, Short, Open Both Ends Drain Tube, Left/Right Open Short, Full-Vat 3"	1	
2a	8234642	Drain Tube, Left/Right Open Short, Dual-Vat 3"	1	
3	8234639	Drain Tube, Long Full-Vat Left Open/Right End Closed Tube, Right End Long, Full-Vat 3"	1	
3a	8234638	Drain Tube, Right End Long, Dual-Vat 3"	1	
4	8234641	Drain Tube, Long Full-Vat Open Both Ends Drain Tube, Left/Right Open Long, Full-Vat 3"	1	
4a	8234640	Drain Tube, Left/Right Open Long, Dual-Vat 3"	1	
5	8234892	Drain Outlet Center Dump	1	
6	8160729	Sleeve, Drain Connector	1	
7	8090969	Clamp 3" Clamp, 3" T-Bolt	1	
8	8102492	Fitting, Quick-Connect Straight	1	[1]
9	KIT6033	Kit, Round Drain Clamp	1	[2]
10	8111071	Tube, 0.25-inch OD Teflon Manifold Vent Tube, Teflon Vent 0.25-inch OD	1	[3]

PART NOTES:

- [1] - receives Teflon vent tube
- [2] - includes sleeve and 2 clamps
- [3] - sold by the foot

Navy Surface Ship Electric Fryers Models H14SC-H17SC-H22SC Single Fryers, FPH17SC Series

Drain System Components - Drain Valve Assembly and Assoc. Parts (Units with Built-In



Drain System Components - Drain Valve Assembly and Assoc. Parts (Units with Built-In Filtration)



Navy Surface Ship Electric Fryers Models H14SC-H17SC-H22SC Single Fryers, FPH17SC Series

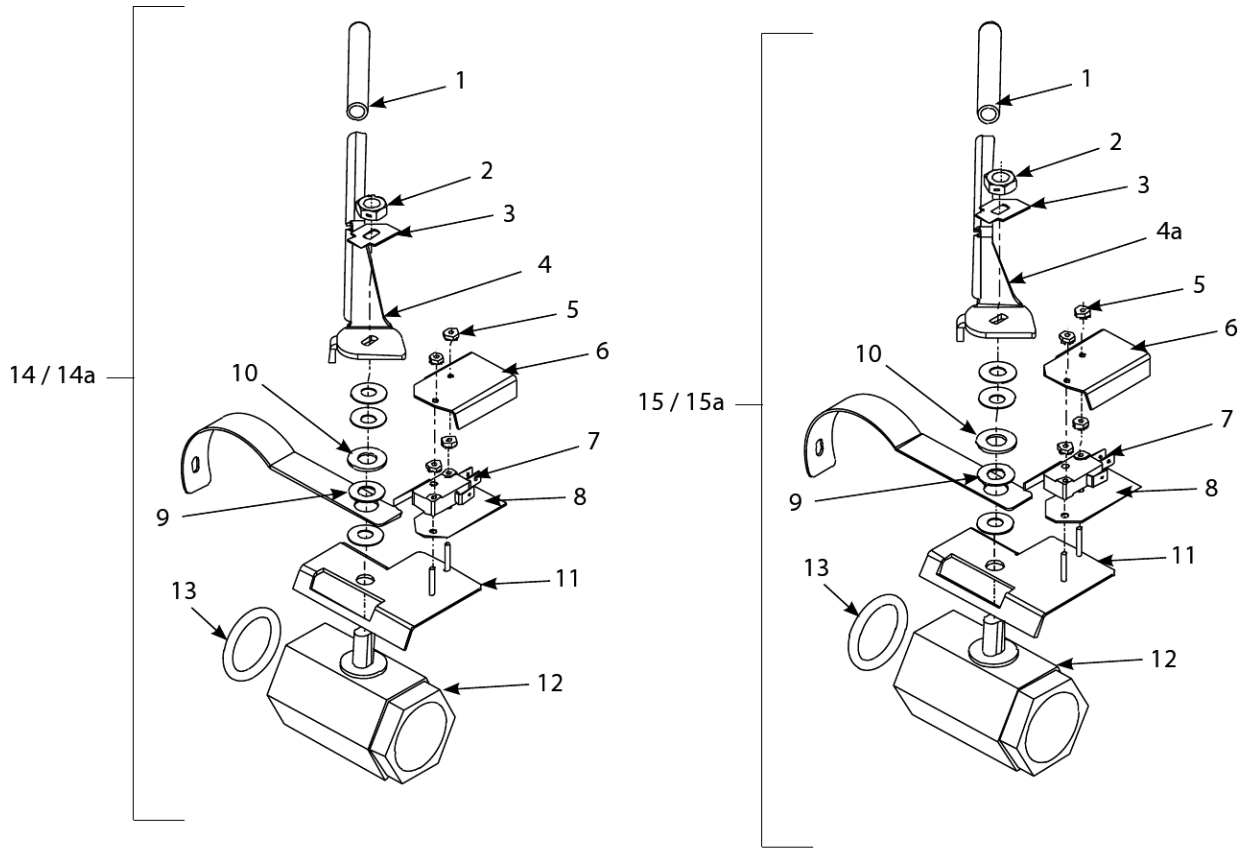
Drain System Components - Drain Valve Assembly and Assoc. Parts (Units with Built-In

#	PART #	DESCRIPTION	QTY	Note
1	8090540	Nut, Lock 0.5-inch-13 Hex 2-Way ZPNut, 0.5-13 2-Way Hex Lock	1	
2	9002936	Retainer Nut (FV)Retainer, Full-Vat Nut Drain Valve	1	
3	8241602	Handle, Valve, Full-vat	1	
4	8160639	Cap, Vinyl RedCap, Red Handle	1	
5	8261366	Nut - #4-40 Keps Hex	1	
6	9012348	Cover, Dual-Vat Left Drain Safety SwitchCover, Dual Vat Drain Safety Switch	1	
7	8072103	MicroswitchMicroswitch, CE Straight Lever	1	
8	8160220	Insulation, MicroswitchInsulation, Drain Safety Switch	1	
9	8068137SP	Bracket Assembly, Full-Vat Drain Safety Switch	1	
9a	1065391	Bracket Assembly, Full-Vat Drain Safety Switch Single Footprint Only	1	
10	8101018	Drain Valve, 1.25", LeftValve, 1.25-inch Full-Vat Drain Single Footprint Only	1	
11	8101165	Washer, Teflon Drain ValveWasher, Teflon	1	
12	8160135PK	Round Drain O-RingO-Ring, Round Drain	4	
13	1066300SP	Single Footprint Full-Vat Drain Valve Assembly	1	
14	8090540	Nut, Lock 0.5-inch-13 Hex 2-Way ZPNut, 0.5-13 2-Way Hex Lock	1	
15	9002936	Retainer Nut (FV)Retainer, Full-Vat Drain Valve Nut	1	
16	8241602	Handle, Valve, Full-vat	1	
17	8160639	Cap, Vinyl RedCap, Red Handle	1	
18	8090237	Nut, 4-40 Keps Hex	1	
19	9012348	Cover, Dual-Vat Left Drain Safety SwitchCover, Dual Vat Drain Safety Switch	1	
20	8072103	MicroswitchMicroswitch, CE Straight Lever	1	
21	8160220	Insulation, MicroswitchInsulation, Drain Safety Switch	1	
22	8101165	Washer, Teflon Drain ValveWasher, Teflon Drain Valve	1	
23	2006496	Support, Drain TubeSupport, 3" Drain	1	
24	8068137	Bracket Assembly, Full-Vat Drain Safety Switch	1	
25	8101018	Drain Valve, 1.25", LeftValve, 1.25-inch Full-Vat Drain	1	
26	8160135PK	Round Drain O-Ring	4	
27	1063760	Drain Valve Assemblies, Full-vat	1	

Drain System Components - Drain Valve Assembly and Assoc. Parts (Units with Built-In Filtration)

Navy Surface Ship Electric Fryers Models H14SC-H17SC-H22SC Single Fryers, FPH17SC Series

Drain System Components - Drain Valve Assembly and Assoc.Parts (Units with It-In)



Drain System Components - Drain Valve Assembly and Assoc.Parts (Units with Built-In Filtration)

Navy Surface Ship Electric Fryers Models H14SC-H17SC-H22SC Single Fryers, FPH17SC Series

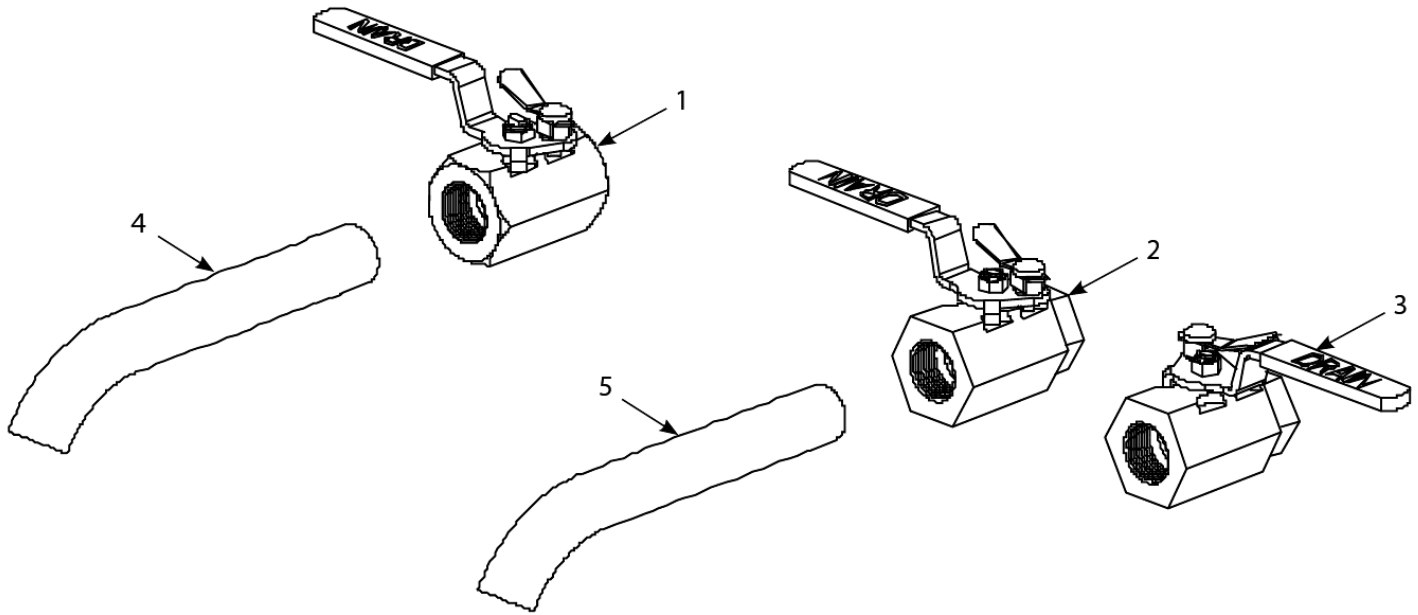
Drain System Components - Drain Valve Assembly and Assoc.Parts (Units with Built-In

#	PART #	DESCRIPTION	QTY	Note
1	8160639	Cap, Vinyl Red	1	
2	8090539	Nut, 0.375-16 2-Way Lock	1	
3	9002934	Retainer, Dual-Vat Drain Valve Nut	1	
4	8241636	Handle, Valve, Dual-vat, Right	1	
4a	8241637	Handle, Valve, Dual-vat, Left	1	
5	8261366	Nut - #4-40 Keps Hex	1	
6	9012348	Cover, Dual-Vat Left Drain Safety Switch Cover, Dual Vat Drain Safety Switch	1	
7	8072103	Microswitch Microswitch, CE Straight Lever	1	
8	8160220	Insulation, Microswitch Insulation, Drain Safety Switch	1	
9	8101165	Washer, Teflon Drain Valve Washer, Teflon Drain Valve	1	
10	8090196	Washer, 0.375-inch SAE Flat	1	
11	1062671	Bracket Assembly, Dual-Vat Left Drain Safety Switch	1	
11a	1066304	Bracket Assembly, Dual-Vat Drain Safety Switch Single Footprint Only	1	
12	8101114	Drain Valves, Dual-vat, 1-inch Drain Valve	1	
13	8160135PK	Round Drain O-Ring	4	
13a	8235592	Tube, Drain Single-Station Only with Filter	1	
14	1065606	Dual-Vat Drain Valve Right Assembly	1	
14a	1066302	Dual-Vat Drain Valve Right Assembly, Single FP	1	
15	1065607	Dual-Vat Drain Valve Left Assembly	1	
15a	1066301	Dual-Vat Drain Valve Left Assembly, Single FP	1	

Drain System Components - Drain Valve Assembly and Assoc.Parts (Units with Built-In Filtration)

Navy Surface Ship Electric Fryers Models H14SC-H17SC-H22SC Single Fryers, FPH17SC

Drain System Components - Drain Valves and Associated Parts (Units without Built-In Filtration)



Drain System Components - Drain Valves and Associated Parts (Units without Built-In Filtration)

Navy Surface Ship Electric Fryers Models H14SC-H17SC-H22SC Single Fryers, FPH17SC Series

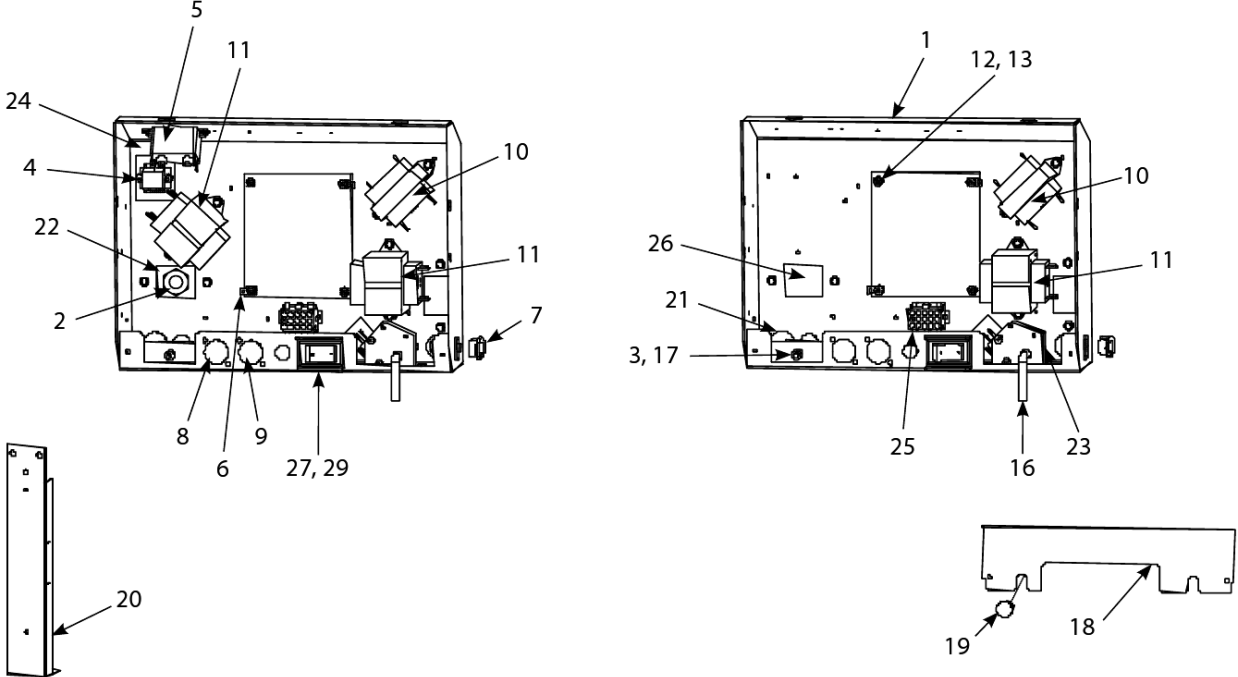
Drain System Components - Drain Valves and Associated Parts (Units without Built-In

#	PART #	DESCRIPTION	QTY	Note
1	8101569	Valve, 1.25-inch, Non-filter, Full-vat Drain Non-Filter Full-Vat Drain	1	
2	8067915SP	Valve, 1-inch, Non-filter, Dual-vat, Left Drain	1	
3	8067916SP	Valve, 1-inch, Non-filter, Dual-vat, Right Drain	1	
4	8130188	Drain Nipple, Extended	1	
5	8130276	Drain Extension, 1-inch, Dual-vat	1	

Drain System Components - Drain Valves and Associated Parts (Units without Built-In Filtration)

Navy Surface Ship Electric Fryers Models H14SC-H17SC-H22SC Single Fryers, FPH17SC Series

Electronics and Wiring Components - Component Boxes



Navy Surface Ship Electric Fryers Models H14SC-H17SC-H22SC Single Fryers, FPH17SC Series

Electronics and Wiring Components - Component Boxes

#	PART #	DESCRIPTION	QTY	Note
1	1065846	Box Assembly, Component	1	
2	2109002	Bracket, Component Box Strain Relief	1	
3	2301057	Bracket, Circuit Breaker	1	
4	8069495SP	Terminal Block and Wire Assembly	1	
5	8070012	Filter Relay - 18A 24VACRelay, Filter 18 Amp 0.33 HP 24V Coil	1	
6	8261337	Tab, 0.25-inch TerminalTerminal, 0.25-inch Push-on	5	
7	8100045	Bushing, .875 Dia. Hole 0.6875"	1	
8	8071947	Plug, .875	1	
9	8102446	Plug - 0.5" Heyco Double "D"	1	
10	8070855	Transformer - 120V/50-60 Hz - 12V 20VATransformer, 100-120V/12V 20VA	1	
11	8070800	Transformer, 100-120V/24V 50VA Filter and MIBTransformer, 100-120V/24V 50VA	1	
11a	8073892	Transformer, 440/480 12/24V	1	[1]
12	8090349	Spacer, 4mm X 6mm Aluminum	1	
13	1066811	Interface Board	1	[2]
14	8073932	Relay, Heat/Latch 12VDC SPDT 12 Amp Sealed	1	[2]
15	8074330	Speaker Adapter Harness SMTSound Device Adaptor Harness	1	
15a	8067179	Sound Device	1	
15b	8103141	Sound Device, Universal SMTSound Device (SMT)	1	
16	1065848	Handle AssemblyHandle Assembly, Oil Flush FV	1	
17	8070069	Circuit Breaker, 10 Amp	1	
18	2109118	Guard, Finger	1	
19	8102445	Plug, Button .625 Heyco Double "D"	1	
20	2108995	Brace, Component Box	1	
21	8071083	Bushing, Heyco	1	
22	8073868	Strain Relief	1	
23	8070121	Bushing, Heyco SB-625-500	1	
24	8160217	Insulation, Terminal Block PaperPaper, Insulating Terminal Block CE	1	
25	1065750	Harness, Full Vat Assembly	1	
26	2200083	Plate, Strain Relief	1	
27	8074036	Switch	1	
28	8073575	Plug, Carling Switch Hole	1	[3]
29	2300834	Guard, RE Box Switch	1	
30	1066958	Left Component Box Complete Assy. w/filter	1	
30a	1066755	Left Component Box Complete Assy. without filter	1	
31	1066957	Right Component Box Complete Assy..w/filter	1	

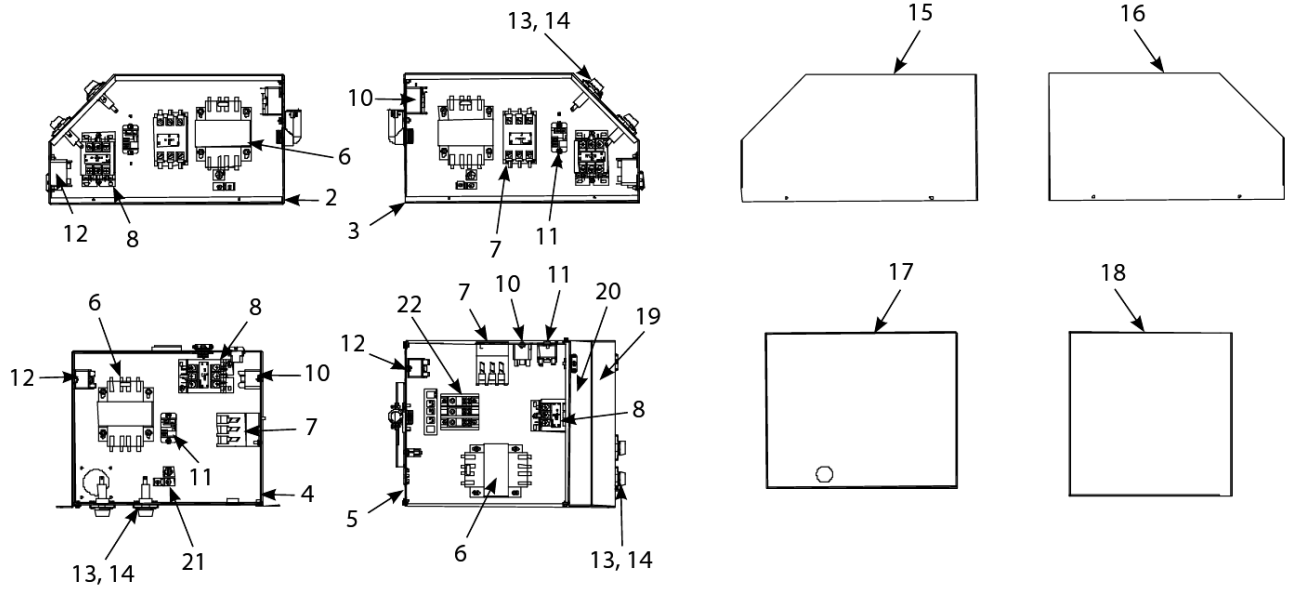
PART NOTES:

- [1] - Used in non-filter fryers
- [2] - on SMT boards the Relays are not replaceable
- [3] - used in place of a switch on some models

Electronics and Wiring Components - Component Boxes

Navy Surface Ship Electric Fryers Models H14SC-H17SC-H22SC Single Fryers, FPH17SC Series

Electronics and Wiring Components - Contactor Boxes



Electronics and Wiring Components - Contactor Boxes

Navy Surface Ship Electric Fryers Models H14SC-H17SC-H22SC Single Fryers, FPH17SC Series

Electronics and Wiring Components - Contactor Boxes

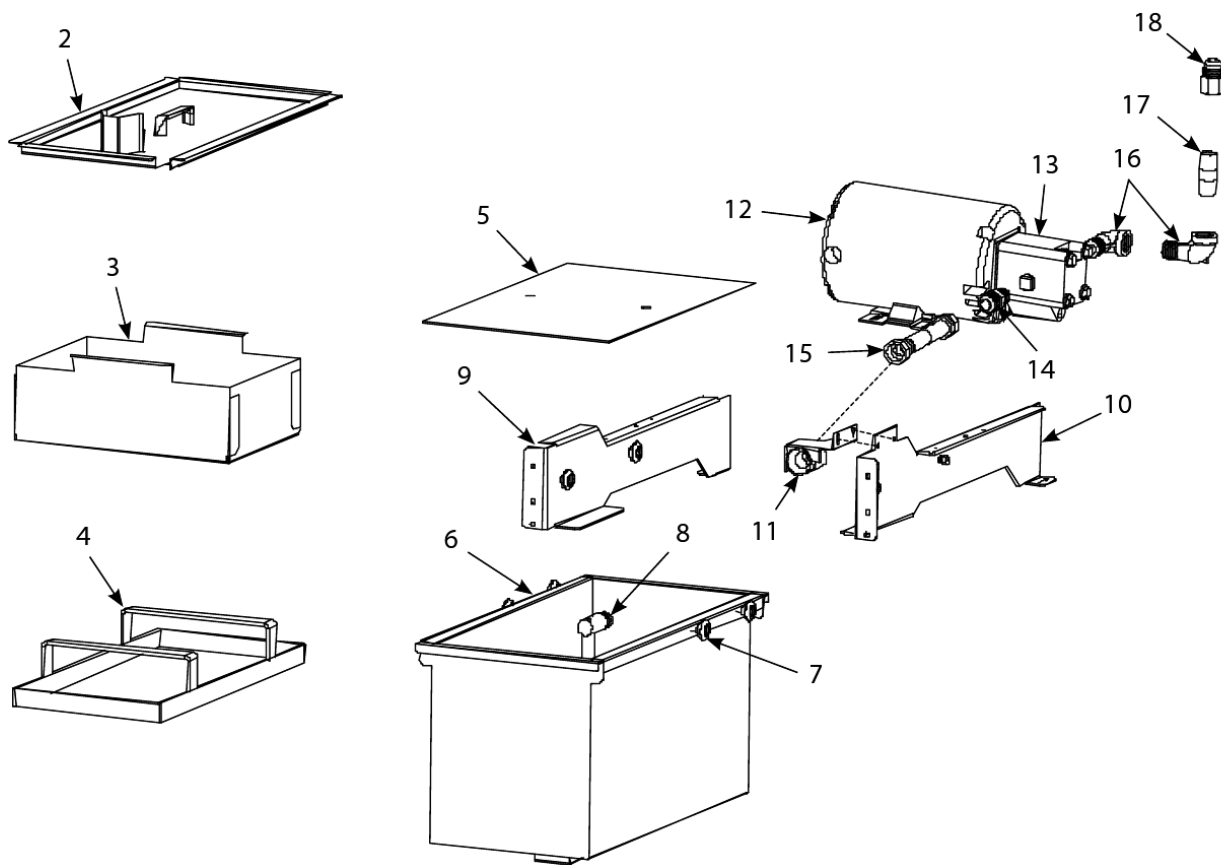
#	PART #	DESCRIPTION	QTY	Note
1	1066278	Assembly, Contactor Box Left	1	
1a	1066279	Assembly, Contactor Box Right	1	
1b	1066292	Assembly, Contactor Box Single	1	
1c	1066268	Assembly, Contactor Box Large	1	[1]
2	1066124	Box, Left Contactor	1	
3	1066125	Box, Right Contactor	1	
4	1066288	Box, Single Footprint Contactor	1	
5	1066255	Box, Large Contactor	1	[1]
6	8070031	Transformer, 250VA	1	
6a	8070064	Transformer, 480V/120V 150 VA	1	[2]
7	8072284	Contactor, 24V 50 Amp Mechanical	1	[3]
8	8101202	Contactor, 24V 40 Amp Mechanical	1	
9	8072283	Contactor, 24V 63 Amp Mechanical	1	[4]
10	8072434	Relay, Shunt 24V Coil Amp	1	
11	8071683	Relay, 12VDC Secondary Blower Fan to cool frypotRelay, Power 12 VDC	1	
12	8070012	Filter Relay - 18A 24VACRelay, Tilt 18 Amp HP 24 V Coil	1	
13	8070922	Holder, Bus Fuse	1	
14	8072278	Fuse, 20 Amp	1	
15	2311135	Cover, Left Hand	1	
16	2321135	Cover, Right Hand	1	
17	2301377	Cover, Single Foot Print	1	
18	2201089	Cover, Large Top	1	
19	2201088	Cover, Contactor Box Front	1	
20	2201087	Bracket, Box Connecting	1	
21	8070070	Terminal, Ground Lug	1	
22	8073970	Block, Terminal 3 pole 600V 175A	1	[5]
23	2310811	Bracket, Left Hand Contactor Box Mounting	1	
24	WIR0751	Wire Assembly, Filter Shunt Relay	1	
25	WIR0726	Wire Assembly, Hood Relay	1	
26	WIR0712	Wire Assembly, Latch/Heat Jumpers	1	
27	2320811	Bracket, Right Hand Contactor Box Mounting	1	

PART NOTES:

- [1] - Not over the filter-pan box
- [2] - used in fryers with filtrations systems only
- [3] - used in 14 & 17kW units only
- [4] - used in 22kW units only
- [5] - used in 22kW only

Navy Surface Ship Electric Fryers Models H14SC-H17SC-H22SC Single Fryers, FPH17SC Series

Filtration System Components - FPH17 Filtration Components



Filtration System Components - FPH17 Filtration Components

Navy Surface Ship Electric Fryers Models H14SC-H17SC-H22SC Single Fryers, FPH17SC Series

Filtration System Components - FPH17 Filtration Components

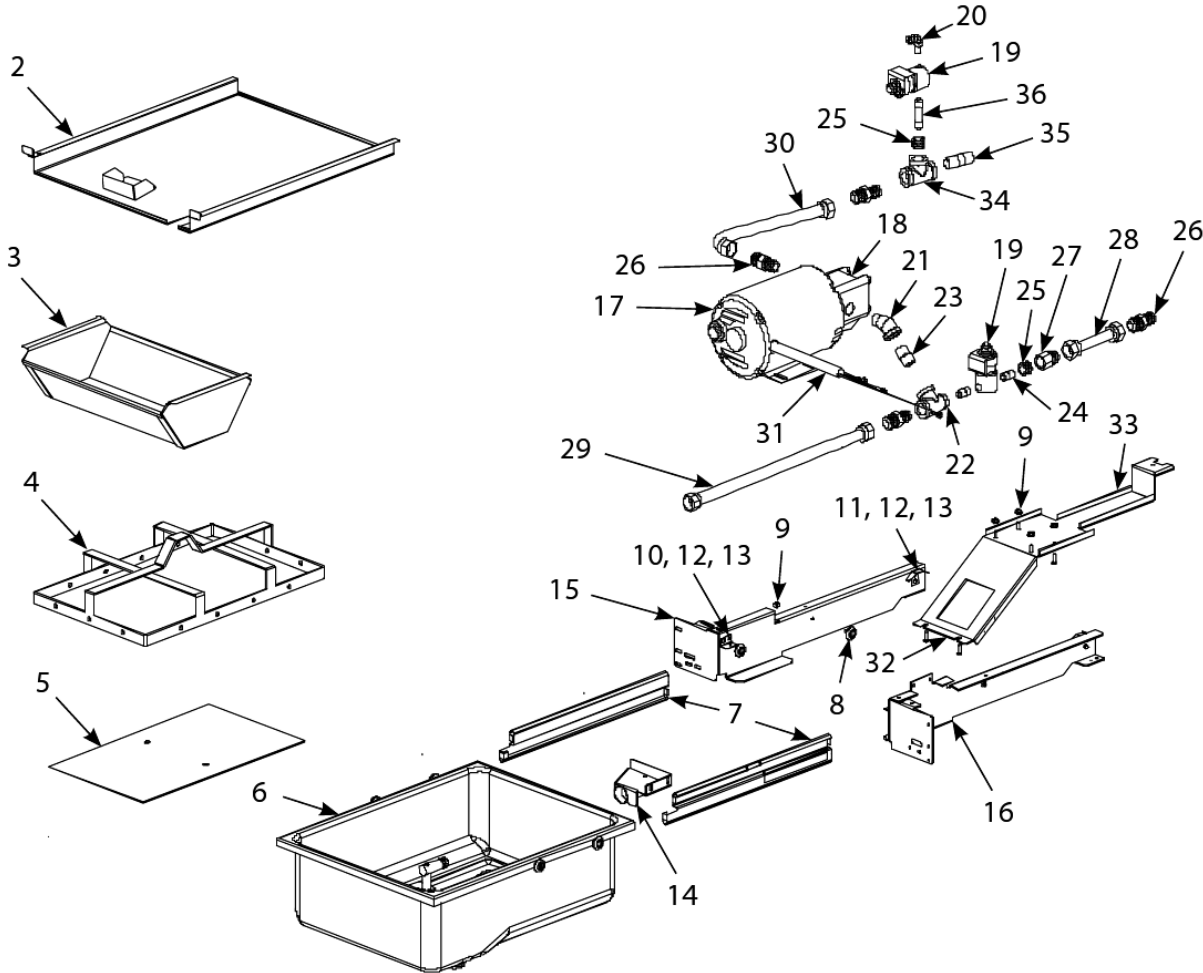
#	PART #	DESCRIPTION	QTY	Note
1	1065983	Assembly, Filter Pan Single includes pan and lid	1	
2	1066243	Lid, Single	1	
3	8241707	Crumb Tray	1	
4	8104439	Hold Down Ring - Paper	1	
5	2201316	Sana Grid Filter Screen	1	
6	8235594	Pan, Filter	1	
7	8261979	Filter Pan Roller Kit	1	
7a	8102198	Roller, Filter Pan and RailFilter Pan Roller	4	
7b	8261372	Nut Grip 0.25-inch 0.25-20 Hex NPNut, 0.25-20 Hex	10	
7c	8102012	Rail Set, Filter Pan Roller	1	[1]
8	8261392	O-Ring	5	
9	1065981	Support, Assy. Left Filter Pan	1	
10	1065982	Support, Assy. Right Filter Pan	1	
11	8235591	Suction Tube AssemblyFitting, Female Suction Tube	1	
12	8261270	Motor and Gasket Kit - 220-240V/50-60 HzMotor and Gasket Kit, 220-240V 50/60Hz	1	
13	8261264	Pump Kit - 4 GPM Pump and Gasket Kit	1	
13a	8261264	Pump Kit - 4 GPM	1	
13b	8160093	Gasket - Pump/Motor	1	
13c	80711973	Pump Seal Kit - Viking	1	
14	8101668	Male Adaptor - 0.625" OD x 0.5"Adapter, 0.625-inch to 0.5-inch NPT Male	1	
15	8101680	Flexline - 0.625" OD x 6.5" LFlexline, 6.5-inch Oil Return	1	
16	8130165	Elbow - 0.5" x 90° NPT StreetElbow, ST 0.5-inch x 0.5-inch NPT 90° BM	1	
17	8130298	Nipple, 0.5" x 2.00" NPT BM PipeNipple, 0.5-inch 2.0-inch	1	
18	8101669	Female Adaptor - 0.875" OD x 0.5"Adapter, 0.625-inch to 0.5-inch NPT Female	1	
19	8071098	Heater Strip Assembly, 240V, 25W 18"	1	

PART NOTES:

[1] - includes one left and one right

Navy Surface Ship Electric Fryers Models H14SC-H17SC-H22SC Single Fryers, FPH17SC Series

Filtration System Components - Multiple Battery Filtration System Components



Filtration System Components - Multiple Battery Filtration System Components

Navy Surface Ship Electric Fryers Models H14SC-H17SC-H22SC Single Fryers, FPH17SC Series

Filtration System Components - Multiple Battery Filtration System Components

#	PART #	DESCRIPTION	QTY	Note
1	8261979	Filter Pan Roller Kit	1	
1a	8261980	Service Filter Pan	1	
1b	8261981	Service Filter Pan Assembly	1	[1]
1c	8261392	O-RingO-Ring	5	[2]
1d	8130568	Plug, 0.125" SS NPT, Sq-HeadPlug, 0.125-inch Socket Head Pipe	2	[3]
1e	8111071	Tube, 0.25-inch OD Teflon Manifold VentTubing, 0.25-inch OD Teflon Vent	1	[4]
1f	8065933SP	Heater Strip Assembly, 120V 18" 25W	1	
2	8234787	Lid	1	
3	8103161	Crumb Tray	1	
4	8102910	Hold Down Ring	1	
5	2002124	SanaGrid Filter Screen	1	
6	1081204SP	Pan, One-Piece Filter	1	[5]
7	8102012	Rail Set, Filter Pan Roller	1	[6]
8	8102198	Roller, Filter Pan and Rail	4	
9	8261372	Nut Grip 0.25-inch 0.25-20 Hex NPNut, 0.25-20 Hex	10	
10	8234675	Bracket, Lid Support	1	
11	2003556	Guide, Filter Pan Lid	1	
12	8090503	Screw - #8-32 x 0.5" Slotted Truss Head	1	
13	8090247	Nut - #8-32 Keps HexNut, 8-32 Hex Keps	1	
14	8233879	Suction Tube	1	
15	2004408	Rail, Left Filter	1	
16	2004409	Rail, Right Filter	1	
17	8261712	Motor and Gasket Kit - 115V/50-60 HzKit, Motor and Gasket 115V 60Hz	1	
18	8261264	Pump Kit - 4 GPM Pump and Gasket Kit 4 GPM 2-piece	1	
18a	8160093	Gasket - Pump/Motor	1	
18b	80711973	Pump Seal Kit - VikingPump Seal Kit	1	
19	8072484	Solenoid Valve - 0.25"	1	
20	8130165	Elbow - 0.5" x 90° NPT StreetElbow, 0.5-inch 90° Street	1	
21	8130342	Elbow, 0.5-inch 45° Street	1	
22	8130530	Tee, Reducing 0.5-inch x 0.25-inch x0.5-inchTee, 0.5-inch X 0.25-inch X 0.5-inch Reducing	1	
23	8130022	Nipple, 0.5" Close NPT BMNipple, 0.5-inch Close	1	
24	8130838	Nipple - 0.25" NPTNipple, 0.25-inch Close	1	
25	8130304	Bushing, 0.5-inch NPT to 0.25-inch NPT Flush ReducingBushing, 0.5-inch to 0.25-inch Flush	1	
26	8101668	Male Adaptor - 0.625" OD x 0.5"Adapter, 0.625-inch to 0.5-inch NPT Male	1	
27	8101669	Female Adaptor - 0.875" OD x 0.5"Adapter, 0.625-inch to 0.5-inch NPT Female	1	
28	8101159	Flexline - Oil Return - 5" L	1	
29	8101057	Flexline - Oil Return - 13" LFlexline, 13.0-inch Oil Return	1	
30	8101055	Flexline - 0.625" OD x 11.5" LFlexline, 11.5-inch Oil Return	1	
31	8073828	Cable, FootPrint Pro Pump Motor	1	
32	8261375	Screw - #10-32 x 0.75" - Hex Trim Head SSScrew, 10-32 X 0.75-inch Hex Trim Head	5	
33	2007112	Bridge, Filter Motor	1	

Filtration System Components - Multiple Battery Filtration System Components

Navy Surface Ship Electric Fryers Models H14SC-H17SC-H22SC Single Fryers, FPH17SC Series

Filtration System Components - Multiple Battery Filtration System Components

#	PART #	DESCRIPTION	QTY	Note
34	8130003-FRY	Tee - 0.5" NPT Tee, 0.5-Inch	1	
35	8130298	Nipple, 0.5" x 2.00" NPT BM Pipe Nipple, 0.5-inch 2.0-inch	1	
36	8130537	Nipple - 0.25" x 2"	1	
37	8101043	Flexline - Oil Return - 9.5" L	1	

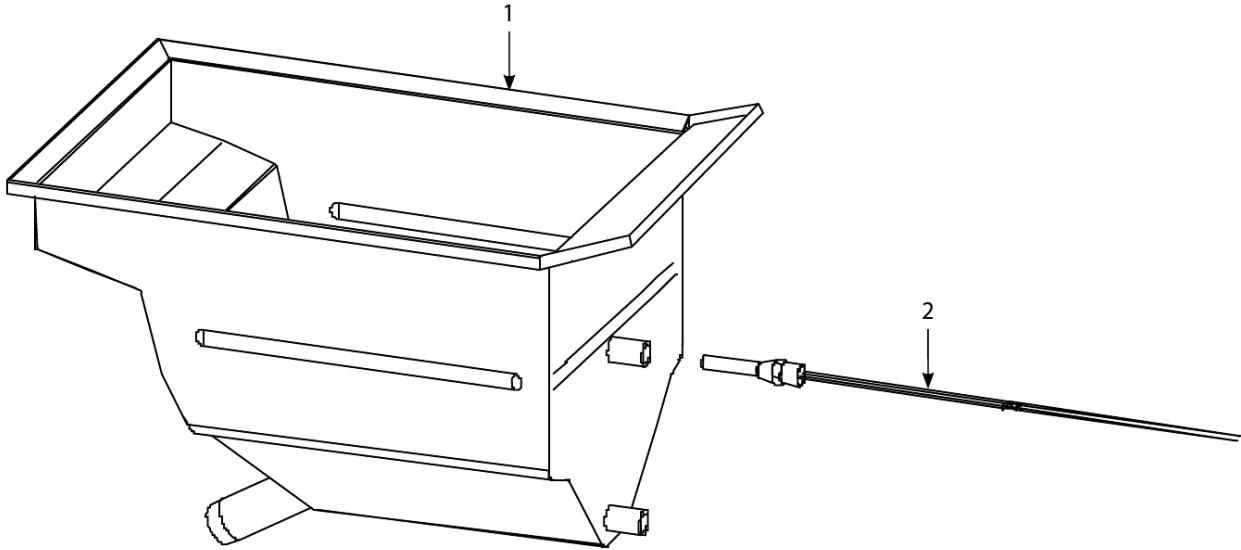
PART NOTES:

- [1] - includes hold down ring and sanagrid filter screen
- [2] - used with Item 6
- [3] - component of Item 6; two required
- [4] - sold by the foot
- [5] - includes crumb tray
- [6] - includes one left and one right

Filtration System Components - Multiple Battery Filtration System Components

Navy Surface Ship Electric Fryers Models H14SC-H17SC-H22SC Single Fryers, FPH17SC Series

Frypot Assembly and Thermostat



Navy Surface Ship Electric Fryers Models H14SC-H17SC-H22SC Single Fryers, FPH17SC Series

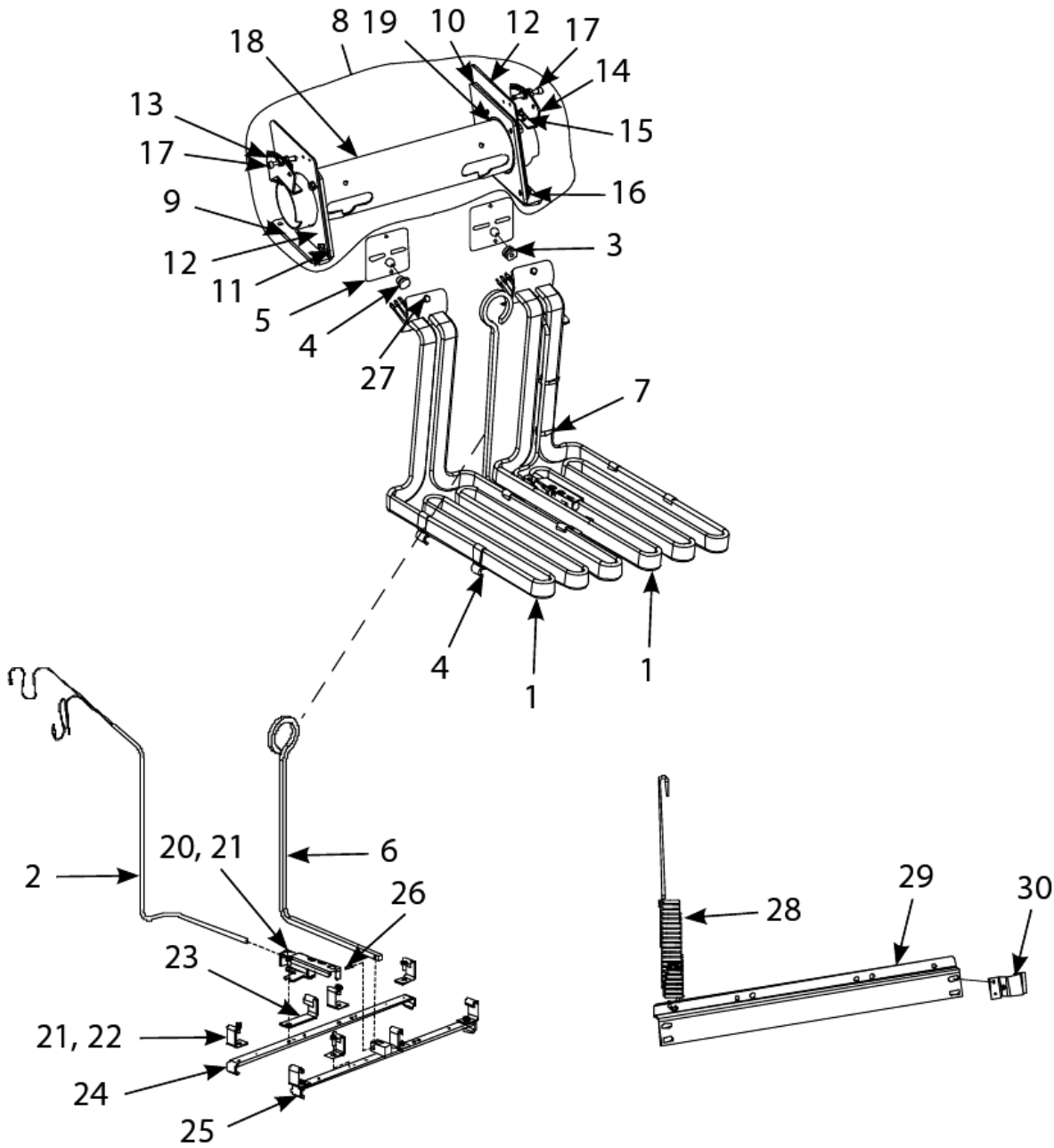
Frypot Assembly and Thermostat

#	PART #	DESCRIPTION	QTY	Note
1	8235359SP	Frypot	1	
2	8261177	Thermostat, High-Limit 425°F/218°C	1	



Navy Surface Ship Electric Fryers Models H14SC-H17SC-H22SC Single Fryers, FPH17SC Series

Heating Element Assembly and Associated Parts



Heating Element Assembly and Associated Parts

Navy Surface Ship Electric Fryers Models H14SC-H17SC-H22SC Single Fryers, FPH17SC Series

Heating Element Assembly and Associated Parts

#	PART #	DESCRIPTION	QTY	Note
1	8262195	Element Kits - 440V - 17.0 kW	1	[1]
1a	8262202	Element Kits - 440V - 18.5 kW	1	[1]
1b	8262211	Element Kits - 440V - 11.0 kW	1	[1]
1c	8262196	Element Kits - 480V - 17.0 kW	1	[1]
1d	8262203	Element Kits - 480V - 18.5 kW	1	[1]
1e	8262209	Element Kits - 480V - 11.0 kW	1	[1]
2	8262212	Temperature Probe Kit	1	[2]
3	8160681	Grommet, Probe	1	
4	8160480	Plug, .375-inch Dome	1	
5	8160688	Gasket, Element	1	
6	8102971	Handle, Element Lift SS	1	
7	8090567	Tie-Wrap - Metal	1	
8	1065590	Tube Assembly Element, Full-Vat	1	
9	1065588	Bracket Assembly, LH Element Tube Support	1	
10	1065589	Bracket Assembly, RH Element Tube Support	1	
11	2300554	Plate, Element Tube Support Inner	1	
12	2300553	Plate, Element Tube Support Outer	1	
13	1066569	Bracket Assembly, LH Upper Spring	1	
14	1066570	Bracket Assembly, RH Upper Spring	1	
15	8261330	Screw, 10-32 x 0.375-inch Slot Head SSScrew, 10-32 X 0.375-inch Slotted Truss Head SS	25	
16	8090766	Nut, 10-32 Keps Hex SSNut, 10-32 Hex HD SS	1	
17	8091000	Screw - #10-32 x 1.25" - HexScrew, 10-32 x 1.25-inch Hex	1	
18	1066037	Tube, FV Element Mounting	1	
19	8102993	Bushing, Tube End Teflon	1	
20	2300850	Bracket, Temperature Probe	1	
21	8090518	Screw, 8-32 x 0.375-inch Hex Washer Slotted Head SSScrew, 8-32 X 0.375-inch Slotted Hex Head SS	1	
22	2109180	Clamp, Element (Short)	1	
23	2300781	Key Operated Switch Ice With Keys	1	
24	2300849	Bracket RE, Full-Vat Element Rear	1	
25	8235657	Bracket RE, Full-Vat Element Front	1	
26	8261364	Pin, .125 X .5-inch Split	25	
27	8091003	Screw - #10-32 x 0.375" Hex Trim Head SSScrew, 10-32 X 0.375-inch Hex Head SS	1	[3]
27a	8090766	Nut, 10-32 Keps Hex SSNut 10-32 SS	1	
28	8103030	Spring, Element Lift Left	1	
28a	8103031	Spring, Element Lift Right	1	
29	2200464	Bracket, Lower Spring	1	
29a	2201190	Bracket, Lower Spring Single Foot Print	1	
30	2200733	Bracket, Lower Spring Mating	1	
31	1066587	Magnetic Position Sensor	1	
32	8103007	Magnet - Ring	1	
33	2300794	Bracket, Magnetic Position Sensor Wire	1	

PART NOTES:

- [1] - includes gaskets, grommets, tie wraps, screws and nuts
- [2] - includes tie wraps and grommet

Heating Element Assembly and Associated Parts

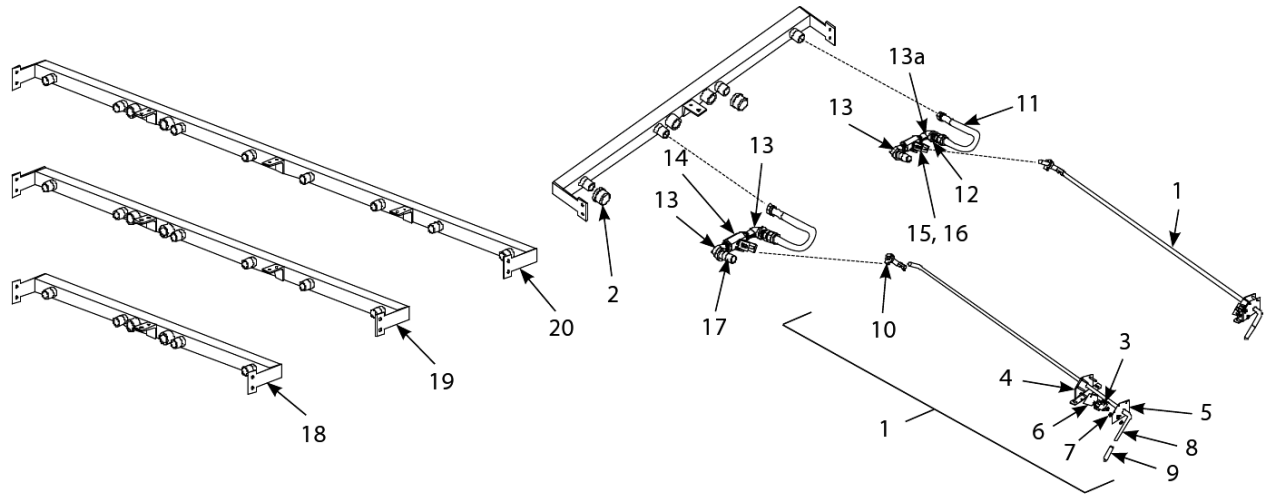
Navy Surface Ship Electric Fryers Models H14SC-H17SC-H22SC Single Fryers, FPH17SC Series

Heating Element Assembly and Associated Parts

#	PART #	DESCRIPTION	QTY	Note
[3]	-	nut 10-32 SS		

Navy Surface Ship Electric Fryers Models H14SC-H17SC-H22SC Single Fryers, FPH17SC Series

Oil Return System Components



Oil Return System Components

FRY_P_0048_6_15_Oil Return System Components.pdf



Navy Surface Ship Electric Fryers Models H14SC-H17SC-H22SC Single Fryers, FPH17SC Series

Oil Return System Components

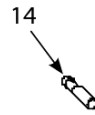
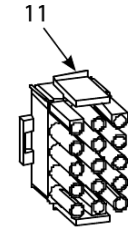
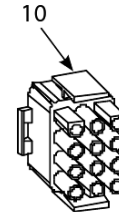
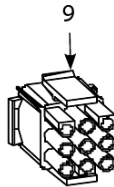
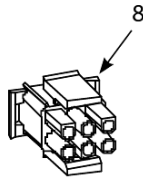
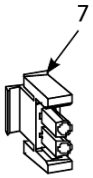
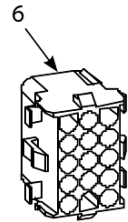
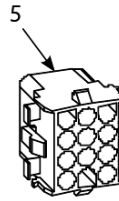
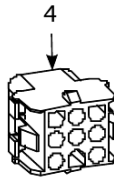
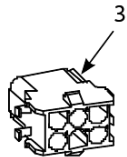
#	PART #	DESCRIPTION	QTY	Note
1	1065848	Handle Assembly	1	
2	8130907	Cap, 0.9375-inch Valve Safety	1	
3	8072103	MicroswitchMicroswitch, Straight Lever	1	
4	1065847	Bracket Assembly, Microswitch	1	
5	2108998	Bracket, Handle Retainer	1	
6	8160220	Insulation, MicroswitchInsulation, Oil Return Microswitch	1	
7	8261366	Nut - #4-40 Keps Hex	25	
8	8103034	Rod, Filter Handle	1	
9	8160643	Grip, Oil Return Valve Handle	1	
10	8090601	Clip, Clevis	1	
11	8102532	Flexline - 7" L	1	
12	8101668	Male Adaptor - 0.625" OD x 0.5"Adapter, 0.625-inch to 0.5-inch NPT Male	1	
13	8130165	Elbow - 0.5" x 90° NPT StreetElbow, 0.5-inch X 90° Street	1	
13a	8130908	Adapter, 0.5" NPT 90°Adapter, 0.5-inch NPT M/T 90°	1	[1]
14	8102944	Valve, 0.5-inch Ball	1	
15	2005438	Handle, Rear Flush Valve	1	
16	9002935	Retainer, Nut Oil Return ValveRetainer, Oil Return Valve Nut	1	
17	8130460	Nipple, 0.5-inch X 3.0-inch NPT	1	
18	8103015	Manifold, Two-Station Fryer	1	
18a	8102543	Manifold, Two-Station FryerManifold, Two-Station Fryer (for non-filter units)	1	
19	8103016	Manifold, Three-Station Fryer	1	
19a	8102544	Manifold, Three-Station Fryer Manifold, Three-Station Fryer (for non-filter units)	1	
20	8103017	Manifold, Four-Station Fryer	1	
20a	8102545	Manifold, Four-Station Fryer Manifold, Four-Station Fryer (for non-filter units)	1	

PART NOTES:

[1] - used only on side next to cabinet

Navy Surface Ship Electric Fryers Models H14SC-H17SC-H22SC Single Fryers, FPH17SC Series

Wiring Connectors, Pin Terminals, Power Cords and Fasteners



Navy Surface Ship Electric Fryers Models H14SC-H17SC-H22SC Single Fryers, FPH17SC Series

Wiring Connectors, Pin Terminals, Power Cords and Fasteners

#	PART #	DESCRIPTION	QTY	Note
1	8073834	Power Cords, Cable, 3-Phase 4-Wire	1	[1]
1a	8073825	Power Cords, Cord, Filter System Power	1	
2	8071068	2-Pin FemaleConnectors, 2-Pin Female	1	
3	8070158	6-Pin FemaleConnectors, 6-Pin Female	1	
4	8070156	9-Pin FemaleConnectors, 9-Pin Female	1	
5	8070159	12-Pin FemaleConnectors, 12-Pin Female	1	
6	8070875	15-Pin FemaleConnectors, 15-Pin Female	1	
7	8071067	2-Pin MaleConnectors, 2-Pin Male	1	
8	8070157	6-Pin MaleConnectors, 6-Pin Male	1	
9	8070155	9-Pin MaleConnectors, 9-Pin Male	1	
10	8070160	12-Pin MaleConnectors, 12-Pin Male	1	
11	8070804	15-Pin MaleConnectors, 15-Pin Male	1	
12	8261341	Terminal, Female Split PinConnectors, Terminal, Female Split Pin	25	
13	8261342	Terminal, Male Split PinConnectors, Terminal, Male Split Pin	25	
14	8072518	Plug, Mate-N-LockConnectors, Plug, Mate-N-Lock	1	[2]
15	8090429	Bolt - 0.25"- 20 x 2.00" Hex Head ZP Tap	1	
16	8090514	Cap Screw - 0.3125" 18 NC Hex	1	
17	8090448	Clip, Tinnerman	1	
18	8261366	Nut - #4-40 Keps Hex	1	
19	8261358	Nut, 6-32 Keps Hex	1	
20	8090247	Nut - #8-32 Keps Hex	1	
21	8261376	Nut - #10-32 Keps Hex	1	
21a	8090766	Nut, 10-32 Keps Hex SS	1	
22	8090581	Nut, 0.5 NPT Locking	1	
23	8090020	Nut Cap 10-24 NP	1	
24	8261372	Nut Grip 0.25-inch 0.25-20 Hex NP	1	
25	8261368	Nut - 0.25-20 Serrated Flange	1	
26	8090535	Nut, "T" 0.25-inch-20 x 0.4375 SSNut, "T" 0.25-inch-20 x 0.4375 SS	1	
27	8090540	Nut, Lock 0.5-inch-13 Hex 2-Way ZP	1	
28	8261359	Screw - #4-40 x 0.75" Slotted Round Head	1	
29	8261365	Screw, 6-32 x 0.375-inch Slot Head	1	
30	8090357	Screw, 6 x 0.375-inch Phillips Head NP	1	
31	8090359	Screw, 8 x 0.25-inch Hex Washer Head	1	
32	8090360	Screw, 8 x 0.375-inch Hex Washer Slot Head	1	
33	8261371	Screw - #8 x 0.5" Hex Head ZP	1	
34	8090364	Screw - #8 x 0.625" Hex Washer Head ZP	1	
35	8090518	Screw, 8-32 x 0.375-inch Hex Washer Slotted Head SS	1	
36	8090104	Screw, 8-32 x 0.5-inch Slotted Head ZP	1	
37	8261363	Screw - #8-32 x 0.5" NP	1	
38	8261360	Screw - #10-24 x 0.3125" Round Slot Head ZP	1	
39	8261330	Screw, 10-32 x 0.375-inch Slot Head SSScrew, 10-32 x 0.375-inch Slot Head SS	1	[3]
40	8091003	Screw - #10-32 x 0.375" Hex Trim Head SS	1	
41	8261375	Screw - #10-32 x 0.75" - Hex Trim Head SS	1	
42	8091000	Screw - #10-32 x 1.25" - Hex	1	

Wiring Connectors, Pin Terminals, Power Cords and Fasteners

Navy Surface Ship Electric Fryers Models H14SC-H17SC-H22SC Single Fryers, FPH17SC Series

Wiring Connectors, Pin Terminals, Power Cords and Fasteners

#	PART #	DESCRIPTION	QTY	Note
43	8261374	Screw - #10 x 0.5" Hex Head	1	
44	8090266	Screw, 10 x 0.5-inch Phillips Head ZP	1	
45	8090475	Screw - #10-32 x 0.3125" Hex	1	
46	8090123	Screw - #10 x 0.75" - Slot Head	1	
47	8261389	Screw - 0.25"-20 x 0.75" Hex Head ZP	1	
48	8090582	Washer 0.5 NPT Locking	1	
49	8090184	Washer, #10 LK ZP	1	
50	8090190	Washer, .625 X .275 X 40 Flat SS	1	
51	8090191	Washer, Lock 0.25 Spring ZP	1	
52	8090193	Flat Washer - 0.25" Nylon	1	
53	8090194	Flat Washer - 0.3125" ZP	1	

PART NOTES:

- [1] - Fryer Power Cable
- [2] - Dummy Pin
- [3] - 8090117