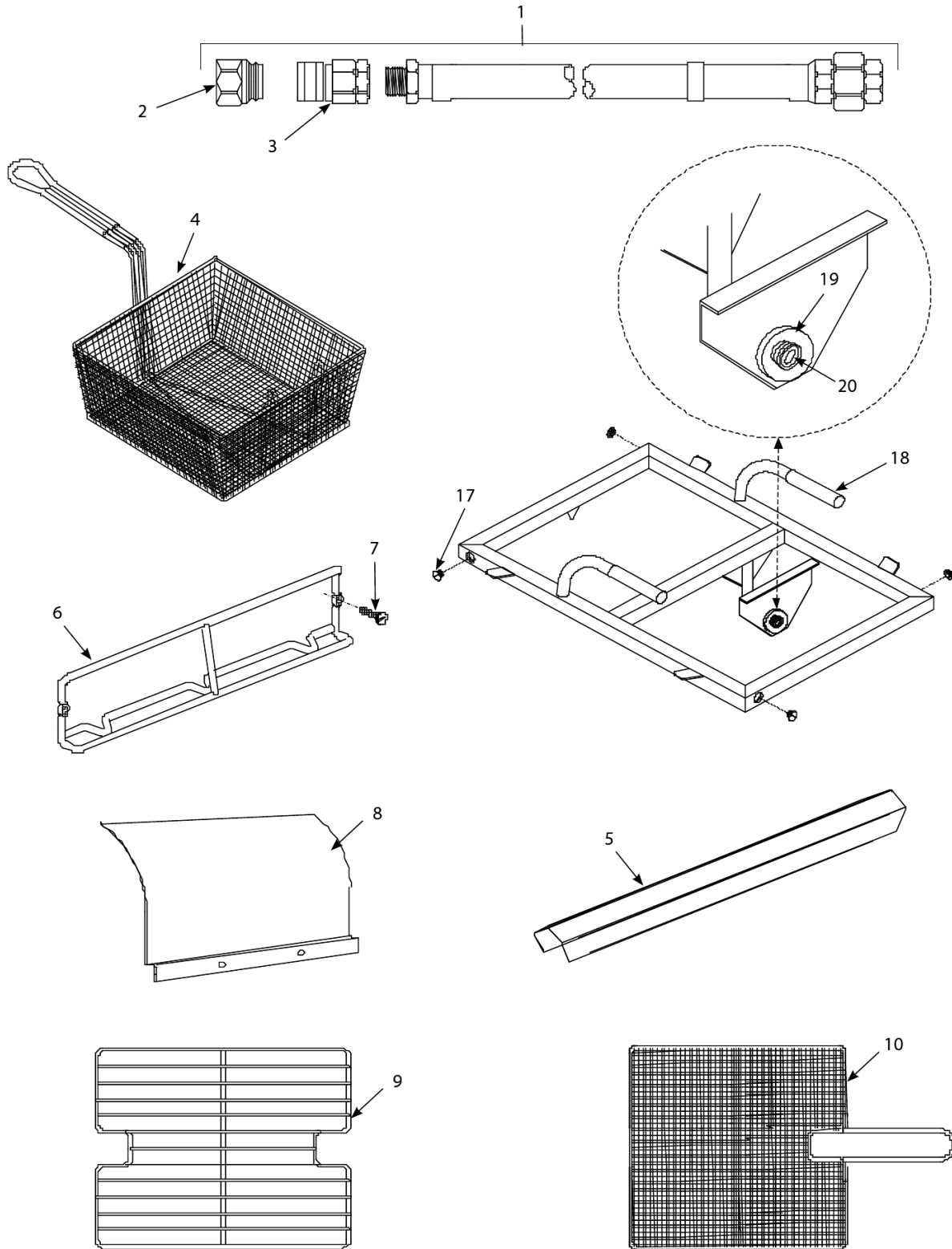


# MJCF

## Accessories



### RESOURCE NOTES:

In Fall 2004 Frymaster introduced the Euro-Look fryer. This fryer has a rounded topcap instead of the traditional 90° angle topcap. Also round drains replaced square drains.

# MJCF

## Accessories

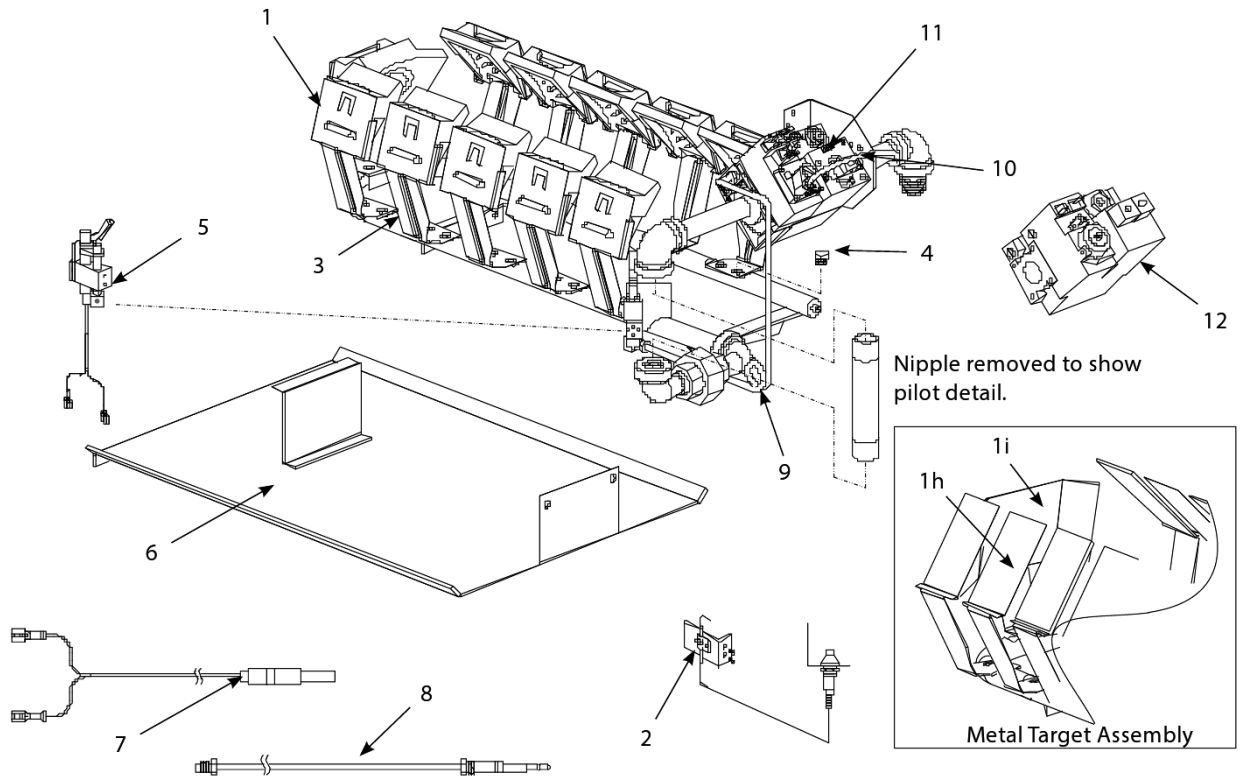
#	PART #	DESCRIPTION	QTY	Note
1		Gas Line, Dormont, With Quick-Disconnect	1	
1a	8061698SP	Gas Line, 1-Inch Dormont Flexible, 36-Inch	1	[1]
1b	8061699	Gas Line, 1-Inch Dormont Flexible, 48-Inch	1	[2]
1c	8061701	Gas Line, 0.75" x 36"	1	[3]
1d	8061700	Gas Line, 0.75" x 48"	1	[4]
2		Quick Disconnect Fitting, Male	1	
2a	8100074	Quick-Disconnect Fitting, 1-Inch Male	1	[5]
2b	8103745	Quick Disconnect - 0.75"	1	[6]
3		Quick Disconnect Fitting, Female	1	
3a	8100073	Coupling, Gas Line Female Quick Disconnect 1-inch	1	[5]
3b	8103745	Quick Disconnect - 0.75"	1	[6]
4	8030017	Fry Basket, Full Basket	1	
4a	8030024	Basket, Twin	1	
4b	8030023	Basket, Triplet	1	
5	9102662	Connecting Strip, Tall - for separate unit	1	
5a		Connecting Strip, Short - for battery unit	1	
5b	8061343	Cover- Frypot, Filter Magic/Spreader Cabinet	1	
5c	8061086	Lid Assembly, Simmer Fry	1	
6		Hanger, Basket- Wireform	1	
7	8090171	Thumbscrew, 0.25-20 x 1.375-inch	1	
8	9103185	Flue Deflector	1	
9	8030137	Rack, Basket Support	1	[7]
10	8030138	Rack, Basket Support	1	[8]
11	8030187	Sediment Screen	1	[9]
12	8130188	Drain Nipple, Extended	1	
13	8030197	Fryer's Friend	1	
14	8030209	Brush, Frypot	1	
15	8233660	Crumb Scoop	1	
16	8064529SP	Power Shower Assembly, Full Vat, Complete	1	
17	8090415	Screw, Power Shower Cleanout	1	
18	8140001	Grip, Power Shower Handle	1	
19	8261390	Seal	5	[10]
20	8261344	O-Ring	5	

### PART NOTES:

- [1] - 2.54 cm x 91.4 cm
- [2] - 2.54 cm x 121.9 cm
- [3] - 1.91 cm x 91.4 cm
- [4] - 1.91 cm x 121.9 cm
- [5] - 2.54 cm
- [6] - 1.91 cm
- [7] - Wireform w/o Handle
- [8] - Screen with Handle
- [9] - Tray
- [10] - Gasket

# MJCF

## Burner Manifold Components



**RESOURCE NOTES:**

**Metal targets can be co-mingled with ceramic targets.**

# MJCF

## Burner Manifold Components

#	PART #	DESCRIPTION	QTY	Note
1	2301177	Side Deflector	1	
1a	2301180	Deflector, Rear	1	
1b	9100226	Bracket, Deflector- Side	1	
1c	8140034	Target, Ceramic- Side	1	
1d	9101465	Mounting Bracket - Deflector	1	
1e	2301206	Deflector, Rear	1	
1f	8061980SP	Burner Control Assembly, Natural	1	[1]
1g	8061981SP	Burner Control Assembly, Propane	1	[2]
1h	2301177	Side Deflector	1	
1i	2301180	Deflector, Rear	1	
2	8261155	Ignitor Kit, Optional Piezo	1	
2a	8071906	Ignitor Kit, Optional Piezo, Electrode Assembly	1	
2b	8101001	Trigger, Piezo Ignitor	1	
3	8230289	Manifold, Burner	1	
4		Orifice	1	[3]
4a	8261386	Orifice, 1.40 mm (for natural gas, 2000-3999 feet/610-1219 meters)	1	[4]
4b	8120910	GF 14, Propane 0.90 mm (Altitude 9000-9999 feet (2743-3048 meters))	1	[5]
4c	8120906	GF 14, Propane 0.95 mm (Altitude 6000-7999 feet (1830-2438 meters))	1	[6]
4d	8100407	Orifices (for high altitude and special gasses, contact Frymaster), 2.15 mm, Manufactured Gas	1	[7]
4e	8120916	Manufactured Gas- 2.26 mm	1	[7]
5		Pilot Assembly	1	[8]
5a	8102071	Pilot Assembly Pilot Assembly, Natural	1	[9]
5b	8068688SP	Pilot Assemblies, CE and Export, Natural Gas with Thermocouple (Co-axial Lead)	1	[10]
5c	8102070	Pilot Assembly (Includes bracket, hood, and thermopile), Propane Gas	1	[11]
5d	8068689SP	Pilot Assemblies, CE and Export, Pro./But. Gas with Thermocouple	1	[10]
5e	8101831	Pilot Assembly, Manufactured Gas	1	[12]
5f	8066825SP	Dual Pilot, Natural Gas	1	[10]
5g	8066827SP	Dual Pilot, Propane (LP) Gas	1	[10]
6	8230330SP	Shield, Burner- All MJCF Series	1	
6a	9303472	Shield, Heat, Lower Right Front	1	
6b	9303471	Shield, Heat, Lower Left Front	1	
7	8101873	Pilot, Powerpile	1	[13]
8	8121284	Thermocouple	1	[14]
8a	8070699	Thermocouple with Threaded Terminal- 20"	1	[15]
9	8100705	Gas Line, Pilot Supply - 0.25 x 20"	1	
9a	8102484	Gas Line, Pilot Supply- 0.25 x 10"	1	
9b	8101700	Gas Line, Pilot Supply- 0.25 x 8.75"	1	[16]
10	8100691	Tube, 0.125-inch Vent	1	
10a	8011166	Vent Tube, Gas Valve CE	1	
11		Valve, Gas- Non-CE Only	1	
11a	8073294	Gas Valves, Non-CE (see Note 1 below), 24V Natural Gas	1	[17]

# MJCF

## Burner Manifold Components

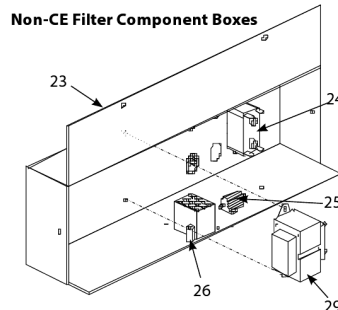
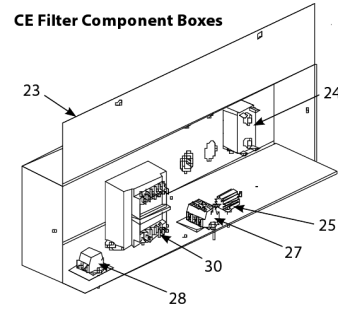
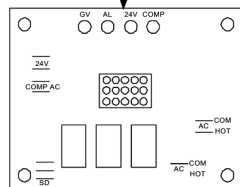
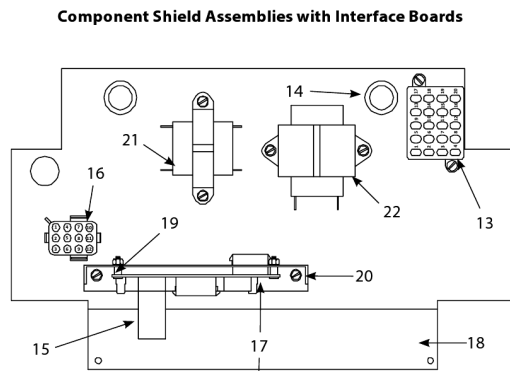
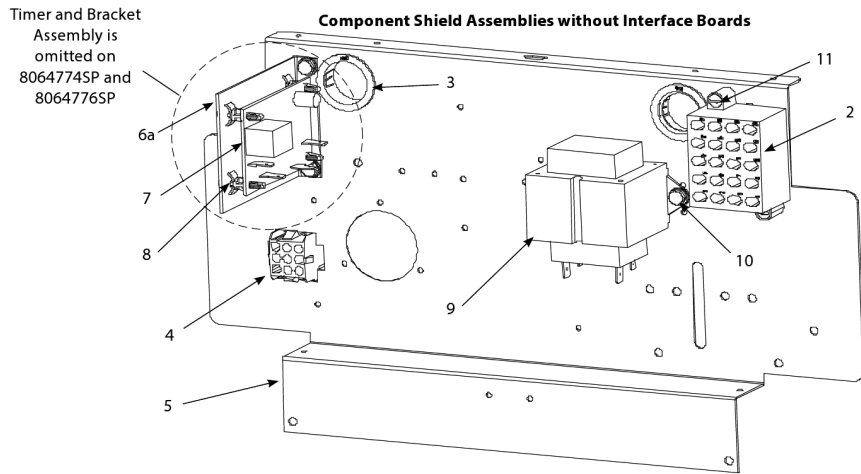
#	PART #	DESCRIPTION	QTY	Note
11b	8073295	Gas Valves, Non-CE (see Note 1 below), 24V Propane Gas	1	[17]
11c	8071603	Valve, Honeywell Millivolt Gas, Natural	1	[17]
11d	8071604	Valve, Honeywell Millivolt Gas, Propane	1	[17]
11e	8074137	Gas Valves, Non-CE (see Note 1 below), mV Natural, Australia	1	[18]
12		Valve, Gas- CE Only	1	
12a	8066840SP	24V Only- Natural and Manufactured Gas	1	[19]
12b	8066841SP	24V Only- Propane Gas	1	[19]
12c	8066710SP	Gas Valve, Natural Gas, 24V	1	[20]
12d	8066711SP	Gas Valve, LP, 24V	1	[20]
12e	8066805SP	Millivolt Only- Natural Gas	1	[17]
12f	8066806SP	Millivolt Only- Propane Gas	1	[17]
13	8064781	Capacitor	1	[21]
13a	8101307	Valve, Manual Gas Shut Off 0.5"	1	[22]
15	8100187	Regulator - Natural Gas	1	[23]
15a	8170098	Regulator - LP	1	[23]

### PART NOTES:

- [1] - Metal Targets use 1060010 for Single
- [2] - Metal Targets use 1060048 for Single
- [3] - Altitudes 0-1999 Feet; For Alt  $\geq$  2000 Feet, Contact Factory
- [4] - Non-CE Qty: 10
- [5] - Non-CE Only
- [6] - CE Only
- [7] - Contact factory with gas specifications (I.E. CO<sub>2</sub>, CH<sub>4</sub>, N<sub>2</sub>, H<sub>2</sub>, etc.), for correct orifice part #.
- [8] - Red dot indicates propane/butane pilot assembly; green dot indicates manufactured gas; no dot indicates natural gas
- [9] - use 8100426 for pilot only
- [10] - CE
- [11] - use 8100427 for pilot only
- [12] - CE and non-CE
- [13] - Used in Non-CE Pilot Assemblies
- [14] - Used in CE Pilot Assemblies
- [15] - Used in England/Germany Pilot Assemblies
- [16] - Series J65X Only
- [17] - Honeywell
- [18] - Use with Kit 8071846 for Pro
- [19] - Honeywell 0.75" gas line
- [20] - Honeywell 0.5" gas line
- [21] - Used on Gas Valve Terminals w/Thermostat Cont. Only
- [22] - Inside Fryer Cabinet
- [23] - Robertshaw

# MJCF

## Component Shield, Filter Box Assemblies and Components



# MJCF

## Component Shield, Filter Box Assemblies and Components

#	PART #	DESCRIPTION	QTY	Note
1		Component Shield Assemblies- Complete	1	
1a	8064774SP	Component Shield Assemblies, 120V, 50/60 Hz, w/o Interface Board	1	
1b	8064776SP	Component Shield Assemblies, 240V, 50/60 Hz, w/o Interface Board	1	
1c	8064772SP	Component Shield Assemblies, 120V, 50/60 Hz, w/o Interface Board, w/Melt Cycle Timer	1	
1d	8064777SP	Component Shield Assemblies, 240V, 50/60 Hz, w/o Interface Board, w/Melt Cycle Timer	1	
2	8070066	Block, Terminal, 20-Pin	1	
3	8072469	Heyco Bushing - 1" ID	1	
4	8070156	9-Pin Female	1	
5	9004340	Shield, Component	1	
6	8261546	Melt Cycle Timer Kit	1	[1]
6a	9008741	Bracket, Melt Cycle Timer	1	
7	8069613	PC Board Assembly, Melt Cycle Timer	1	[2]
8	8090580	Standoff, PC Board	1	
9		Transformer, 24V	1	
9a	8070800	Transformer, 100-120V/24V 50VA Filter and MIB	1	
9b	8070680	Transformer, 208V, 50/60Hz -24V 20VA	1	
10	8261374	Screw - #10 x 0.5" Hex Head	25	
11	8090097	Screw, 6-32 X 1-inch Slotted Truss Head	1	
11a	8070670	Relay, 24V DPDT	1	
11b	8261358	Nut, 6-32 Keps Hex	25	
12		Complete Shield Assemblies	1	
12a	8064773SP	120V, 50/60 Hz, With Interface Board	1	
12b	8064775SP	240V, 50/60 Hz, With Interface Board	1	
12c		Shield Components	1	
13	8070066	Block, Terminal, 20-Pin	1	
14	8072469	Heyco Bushing - 1" ID	1	
15	8102243	Spring, Relay Retaining	1	
16	8070160	12-Pin Male	1	
17	8063548	Interface Board, Universal Replacement	1	
18	9004340	Shield, Component	1	
19	8090349	Spacer, 4mm X 6mm Aluminum	1	
20	8240161	Support, Interface Board	1	
21		Transformer, 12V	1	
21a	8070855	Transformer - 120V/50-60 Hz - 12V 20VA	1	
21b	8070979	Transformer, 208V/240V/12V	1	
22		Transformer, 24V	1	
22a	8070800	Transformer, 100-120V/24V 50VA Filter and MIB	1	
22b	8070680	Transformer, 208V, 50/60Hz -24V 20VA	1	
23	8231584	Box, Control- FMCF Filter	1	
23a	8231585	Box, Control- Under-Counter CF-Filter	1	
23b	8070124	Bushing, Plastic	1	[3]
24	8070012	Filter Relay - 18A 24VAC	1	[4]
24a	8072434	Relay, Shunt 24V Coil Amp	1	[5]
25	8064358	Resistor, Pan Heater Light	1	

# MJCF

## Component Shield, Filter Box Assemblies and Components

#	PART #	DESCRIPTION	QTY	Note
26	8070276	Block, UL Male 12 Pin Terminal	1	
27	8101168	Terminal, Block Screwless End	1	[6]
28	8101164	Block, One-Piece Screwless Terminal	1	[7]
29	8070800	Transformer, 100-120V/24V 50VA Filter and MIB	1	
29a	8070680	Transformer, 208V, 50/60Hz -24V 20VA	1	
30	8075129	Transformer - Dual Voltage 208-240V	1	[8]

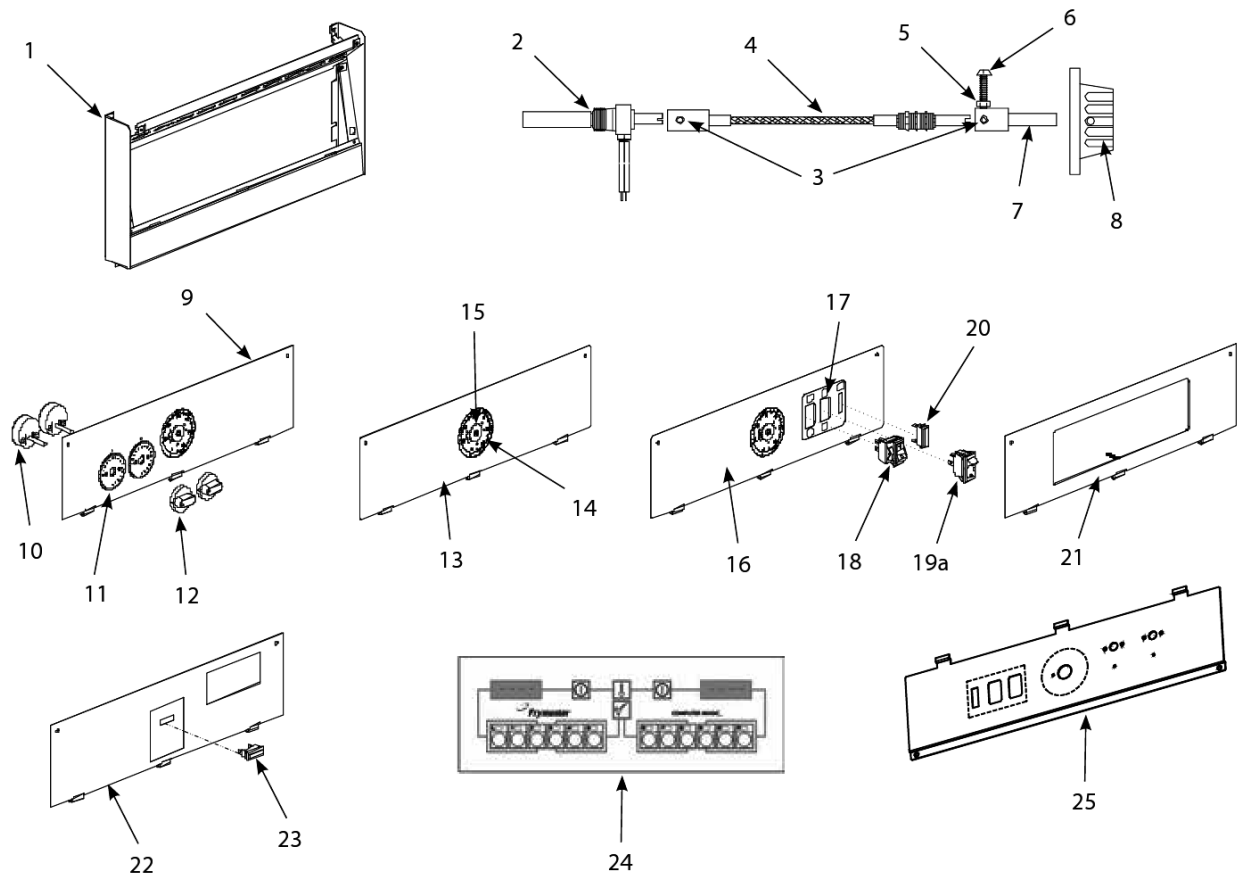
### PART NOTES:

- [1] - Replaces for Melt Cycle Timer Motor[Items 6a, 7 & 8]
- [2] - 50 and 60 Hz
- [3] - Control Box Back
- [4] - 4-terminal
- [5] - 5-terminal
- [6] - 230V, 50 Hz Filter Magic  
CE
- [7] - CE
- [8] - CE Only



# MJCF

## Control Panel Assemblies and Related Components



# MJCF

## Control Panel Assemblies and Related Components

#	PART #	DESCRIPTION	QTY	Note
1	8064992SP	Frame Assembly, Control Panel	1	
1a	8090448	Clip, Tinnerman	1	[1]
2	8060183	Operating Thermostat Assembly, Fenwall, With Two Blue Insulated Push-on Terminals, 4" (MJ35 & 45, Non-CE)	1	[2]
2a	8069617	Operating Thermostat Assembly, Fenwall, With One Blue Insulated Push-on, One Fork Terminal, 4" (MJ35 & 45, CE)	1	[3]
3	8090157	Set Screw, 0.062 Socket, Oil Return Handle	1	
4	8102954	Flex Shaft - Thermostat Control	1	
5	8090050	Nut, 8-32 Hex	1	
6	8261361	Screw - #2-32 x 1" Slotted Truss Head	25	
7	8100624	Adapter, Shaft End	1	
7a	9002071	Mounting Bracket	1	
7b	9002241	Bracket, Thermostat	1	
8	8100334	Knob, with Skirt	1	
9	9107287	Panel, Control- MJCF With Timers- Millivolt Only	1	
9a	9107280	Panel, Control- MJCFE With Timers	1	
10	8100585	Timers, Basket Lift, 15-minute Mechanical Timer	1	
11	8021473	Label, Dial- 15-Minute Mechanical Timer	1	
11a	9101551	Mechanical Timer - Basket Lift - 15 minute	1	
12	8101287	Knob, 15-minute Mechanical Timer	1	
13	9107288	Panel, Control- MJCF, Millivolt Only	1	[4]
13a	1064386SP	Toggle Switch	1	[5]
14	8021470	Label, Dial Plate- Thermostat Knob	1	
15	8261395	Plug Button	10	
15a	8261338	Bushing, Heyco- Shaft Button Plug	25	
16	9107281	Panel, Control- MJCFE, With Timers	1	
17	8020765	Label, On/Off, Light, Melt Cycle Option- MJCFE	1	
18	8073498	Switch, On/Off	1	
18a	8070496	Switch, Rocker Momentary on/off switch	1	
19	8073575	Plug, Carling Switch Hole	1	[6]
19a	8073498	Switch, On/Off	1	[7]
19b	8261792	Switch Kit, On/Off (Power)/Melt-Cycle	1	[8]
20	8071525	Light, White 24V Front Panel Indicator	1	[9]
21	8231800	Control Panel, Computer	1	[10]
21a		Panel, Control Euro-Look Single Non-Computer	1	
22	9107289	Panel, Filter- FMCF Filter Magic II Cabinet	1	
23	8071275	Light, Ready Indicator- 2V	1	
24	1061177	Computer, CMIII.5- MJCFEC	1	[2]
24a	1061202	Computer, CMIII.5- MJCFEC	1	[11]
24b	1066572	Controller, Digital - MJCFE	1	
24c	8062071	Cable, Computer/Controller to Interface Board	1	[12]
25		Panel, Control w/ Timers CF Euro-Look	1	
25a		Controller Assembly, Basket Lift w/ Timers	1	
26		Sound Device, High Output	1	
26a		Buzzer Assembly	1	
27		Panel, Spreader Control CF Blank Panel Euro-Look	1	

# MJCF

## Control Panel Assemblies and Related Components

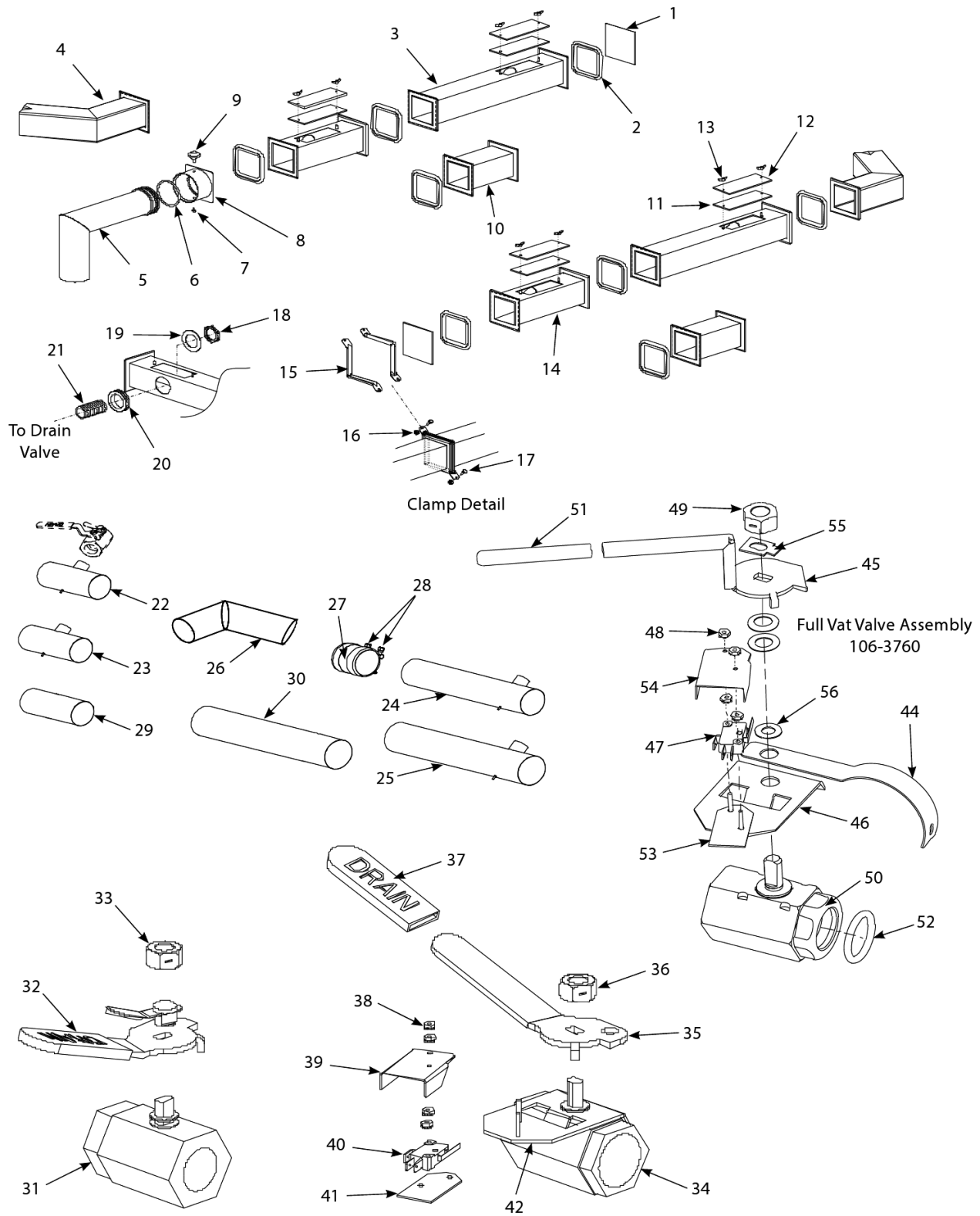
#	PART #	DESCRIPTION	QTY	Note
---	--------	-------------	-----	------

**PART NOTES:**

- |      |   |                                 |  |  |
|------|---|---------------------------------|--|--|
| [1]  | - | Control Panel Screw             |  |  |
| [2]  | - | Non-CE                          |  |  |
| [3]  | - | CE Only                         |  |  |
| [4]  | - | Older units use 9107282         |  |  |
| [5]  | - | Older Production Units          |  |  |
| [6]  | - | MJCFE Without Melt Cycle Option |  |  |
| [7]  | - | Power                           |  |  |
| [8]  | - | To Replace Old Switches         |  |  |
| [9]  | - | White Lens                      |  |  |
| [10] | - | For Computers                   |  |  |
| [11] | - | CE                              |  |  |
| [12] | - | Computer To Interface Board     |  |  |

# MJCF

## Filter Magic Drain and Euro-Look Drain Manifold Components



# MJCF

## Filter Magic Drain and Euro-Look Drain Manifold Components

#	PART #	DESCRIPTION	QTY	Note
1	9000757	Cover, Drain End	1	
2	8160032	Gasket, Square Drain	1	
3	8230717	Drain Tube, Open End Long	1	
3a	8260715SP	Drain Tube Kit	1	[1]
4	8230719	Drain Outlet, Fixed	1	
4a	8260716SP	Sq Drain Elbow Kit	1	[2]
4b	8064068SP	Elbow, Swivel, Complete Assembly (Items 5-9)- FMCF	1	
5	8231091	Drain Tube, Swivel	1	
6	8160083	O-Ring, 2.5-inches ID	1	
7	8090115	Screw - #10-32 x 0.25" Truss Head	1	
8	8231092	Collar, Drain	1	
9	8100388	Knob, 1" Black	1	
10	8230714	Tube, Square Drain- 2.5 x 5.22"- FMCF Spreader	1	
11	8160021	Gasket, Drain Cleanout	1	
12	8261348	Cover, Drain Cleanout	5	
13	8261382	Wingnut	10	
14	8230718	Drain Tube, Left End, 2.5 x 8.0-inch	1	
15	8100396	Clamp, Square Drain	1	
15a	8260877	Kit, Square Drain Clamp	1	
16	8261376	Nut - #10-32 Keps Hex	10	[3]
17	8261369	Screw, 10-32 x 0.5" Hex Head	10	
18	8090347	Nut, 1-inch NPT Retainer	1	[4]
19	8261345	Washer, 1-inch Drain	25	
20	8160092	Grommet, 1-inch Drain	1	
21	8130284	Nipple - 0.75" x 1" NPT	1	
22	8234764	Drain Tube, Left End Open /Right End Closed, Short	1	
23	8234763	Drain Tube, Left and Right Ends Open, Short	1	
24	8235031	Drain Tube, Left End Open /Right End Closed, Long	1	
25	8235030	Drain Tube, Left and Right Ends Open, Long	1	
26	8234765	Drain W/A, Elbow CF	1	
27	8160729	Sleeve, Drain Connector	1	
28	8090969	Clamp 3"	1	
29	2006974	Tube, Drain SPR CF Short	1	
30	2006973-FRY	Drain Tube - 3.0" x 20.55" - Long	1	
30a	KIT6033	Kit, Round Drain Clamp	1	[5]
30b	8160630	Cap, Vinyl Black	1	
31	8064145	Complete Assembly, Export Units	1	
31a	8101017	Components, Drain Valve, 1.25-inch Gemini – non-filter	1	[6]
32	8101427	Handle, Drain Valve	1	
33	8090540	Nut, Lock 0.5-inch-13 Hex 2-Way ZP	1	[7]
34	8101020	Valve, 1-inch Full-Vat Drain	1	[8]
35	8100820	Components, Handle, Drain Valve w/o Lock Pin	1	
36	8090540	Nut, Lock 0.5-inch-13 Hex 2-Way ZP	1	[7]
36a	9002936	Retainer Nut (FV)	1	
37	8160211	Sleeve, Handle	1	
38	8261366	Nut - #4-40 Keps Hex	25	

# MJCF

## Filter Magic Drain and Euro-Look Drain Manifold Components

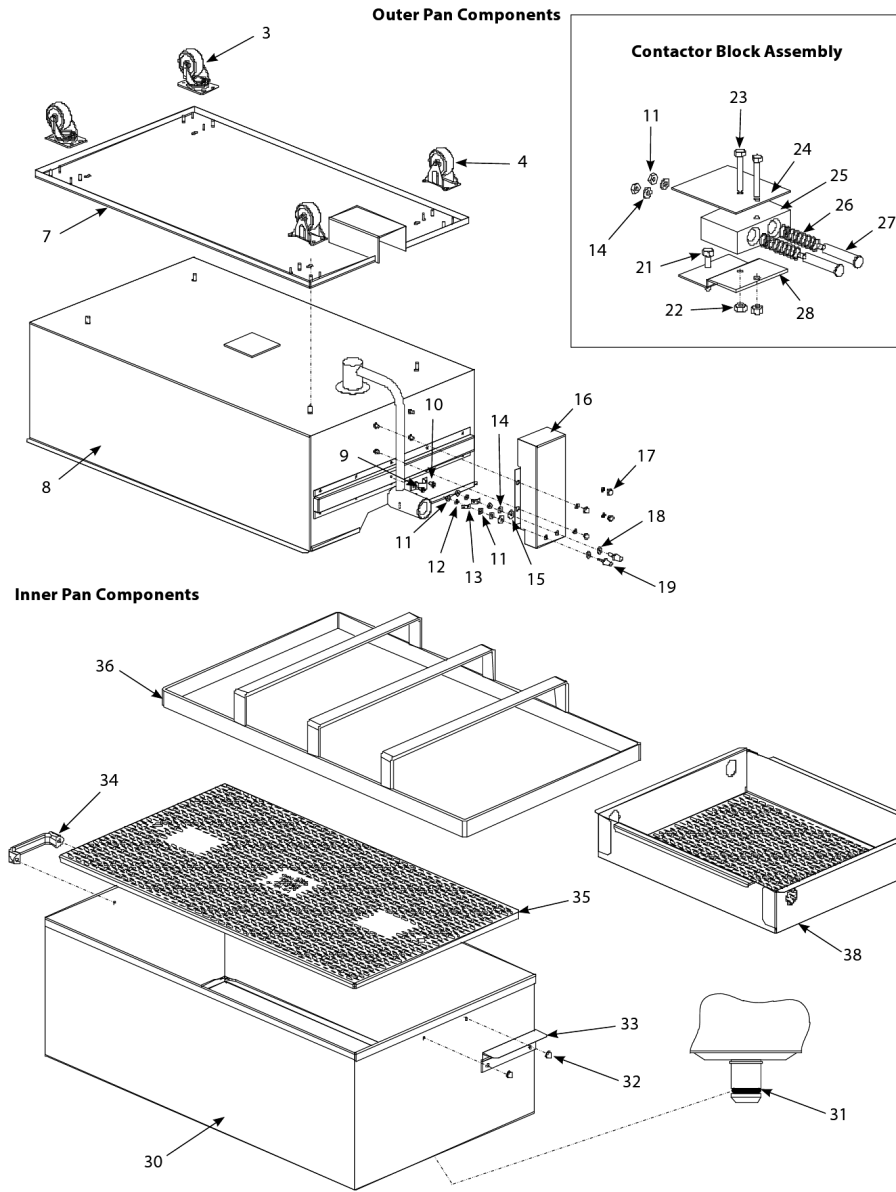
#	PART #	DESCRIPTION	QTY	Note
39	9012348	Cover, Dual-Vat Left Drain Safety Switch	1	
40	8072103	Microswitch	1	[9]
41	8160220	Insulation, Microswitch	1	
42	8068137	Bracket Assembly, Full-Vat Drain Safety Switch	1	
43	1063760	Drain Valve Assemblies, Full-vat	1	
44	2006496	Support, Drain Tube	1	
45	8241602	Handle, Valve, Full-vat	1	
46	8068137	Bracket Assembly, Full-Vat Drain Safety Switch	1	
47	8072103	Microswitch	1	
48	8261366	Nut - #4-40 Keps Hex	1	
49	8090540	Nut, Lock 0.5-inch-13 Hex 2-Way ZP	1	
50	8101018	Drain Valve, 1.25", Left	1	
51	8160639	Cap, Vinyl Red	1	
52	8160135	O-ring	1	
53	8160220	Insulation, Microswitch	1	
54	9012348	Cover, Dual-Vat Left Drain Safety Switch	1	
55	9002936	Retainer Nut (FV)	1	
56	8101165	Washer, Teflon Drain Valve	1	

### PART NOTES:

- [1] - Gaskets, Clamps, Connecting Hardware, Clean-Out Cover
- [2] - Elbow, Gaskets, Clamps, Connecting Hardware
- [3] - Drain Flange Clamp
- [4] - Conduit Nut
- [5] - 2 of Item 28 and 1 of Item 27
- [6] - Without Handle
- [7] - MJ & FMCF
- [8] - FMCF Units
- [9] - CE & Non-CE

# MJCF

## Filter Magic Filter Pan Components



# MJCF

## Filter Magic Filter Pan Components

#	PART #	DESCRIPTION	QTY	Note
1	8066095SP	FMCF Complete Filter Pan Assembly – Inner & Outer Pan Assembly	1	
1a	8064470SP	FMCF Filter Pan- Outer Pan Assembly, Complete	1	
2	8064373	Heater Strip Assembly	1	
3	8102805	Caster - 2"	1	[1]
4	8102807	Caster - 2" Rigid	1	[2]
5	8090189	Washer - 0.25" Flat SS	1	
6	8261362	Nut - 0.25"-20 Hex	10	
7	8231421	Base, Outer Filter Pan	1	
8	8231452SP	Pan, Filter- Outer Pan	1	[3]
9	9101350	Clamp - Suction Tube	1	
10	8261371	Screw - #8 x 0.5" Hex Head ZP	25	
11	8090053	Nut, 10-32 Hex	1	[4]
12	8090184	Washer, #10 LK ZP	1	
13	8261337	Tab, 0.25-inch Terminal	5	
14	8090185	Washer, Flat #10	1	[4]
15	8090428	Screw - 0.25"-20 x 0.5" Steel	1	
16	8240292	Cover, Suction Tube	1	
17	8090020	Nut Cap 10-24 NP	1	
18	8071270	Washer, Insulated Shoulder	1	
19	8100695	Contact, Pan	1	
20	8064694SP	Contact Block Assembly	1	
21	8261389	Screw - 0.25"-20 x 0.75" Hex Head ZP	10	
22	8261372	Nut Grip 0.25-inch 0.25-20 Hex NP	10	
23	8090291	Screw, 0.25-20 X 1.5-inch	1	
24	8160126	Insulator, Contact Block	1	
25	8100694	Block, Contact	1	
26	8100696	Spring, Contact Pin	1	
27	8100693	Pin, Contact	1	
28	9001521	Bracket, Contact Block	1	
29	8066095SP	FMCF Complete Filter Pan Assembly – Inner & Outer Pan Assembly	1	[5]
30	8231745SP	Pan, Inner- FMCF	1	
30a	8064866SP	Pan Assembly, Inner- FMCF	1	[6]
31	8160117PK	O-Ring - 0.609 OD - QTY 10	1	
32	8090045	Nut, 10-32	1	
33	9101366	Handle - Filter Pan	1	[7]
34	8100180	Handle	1	[8]
35	8232010	Screen, Filter Paper Support	1	
36	8101409	Ring, Hold-Down- FMCF	1	
37	8030171	Paper, Filter (100 Sheets) 33.25 x 21"	100	
37a	8030002	Powder, Filter	100	[9]
38	8240417	Screen Assembly, Crumb- FMCF	1	

### PART NOTES:

- [1] - Front Only
- [2] - Rear Only
- [3] - Pan Only



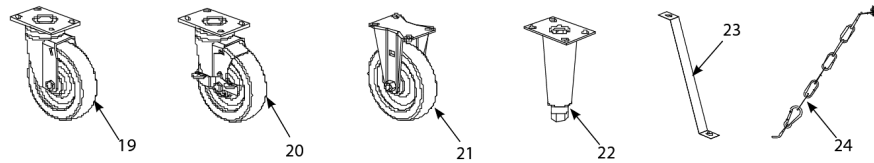
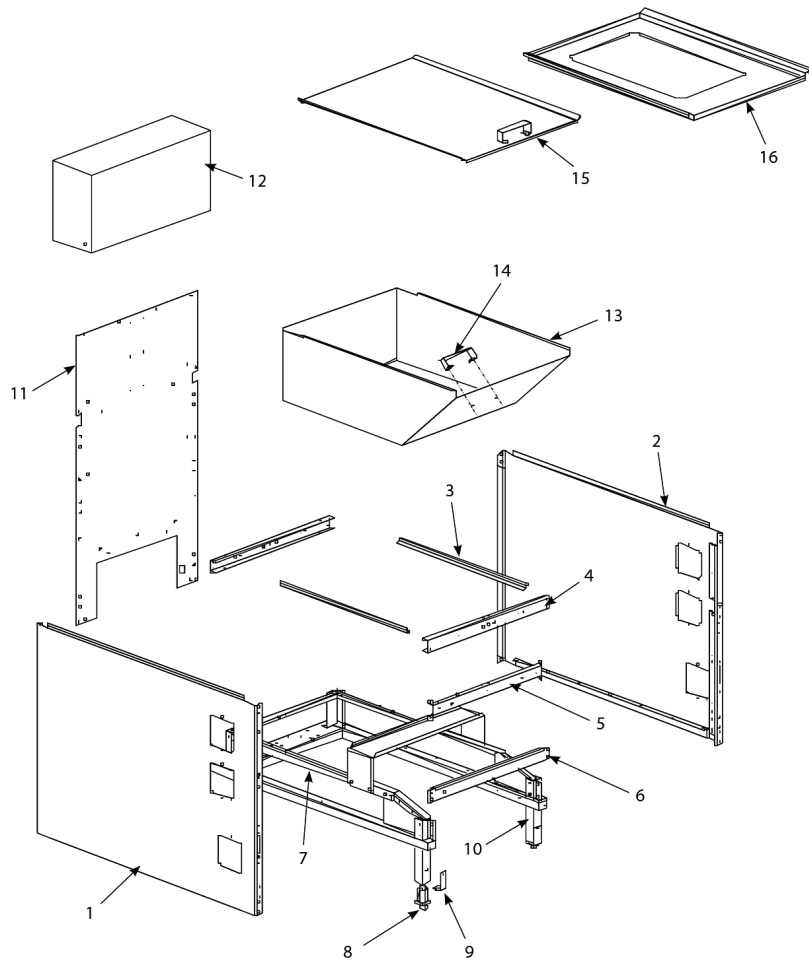
# MJCF

## Filter Magic Filter Pan Components

#	PART #	DESCRIPTION	QTY	Note
[4]	-	Also Used With Contactor Block Assembly		
[5]	-	Crumb Screen Not Included – Order Item #38 Below		
[6]	-	Crumb Screen Not Included		
[7]	-	Nearest End With Hole In Pan Bottom		
[8]	-	Nearest Door On Filter Cabinet		
[9]	-	100 1-Cup Applications		

# MJCF

## Filter Magic II, Spreader Cabinet Cabinetry, Casters, Legs and Associated Hardware



# MJCF

## Filter Magic II, Spreader Cabinet Cabinetry, Casters, Legs and Associated Hardware

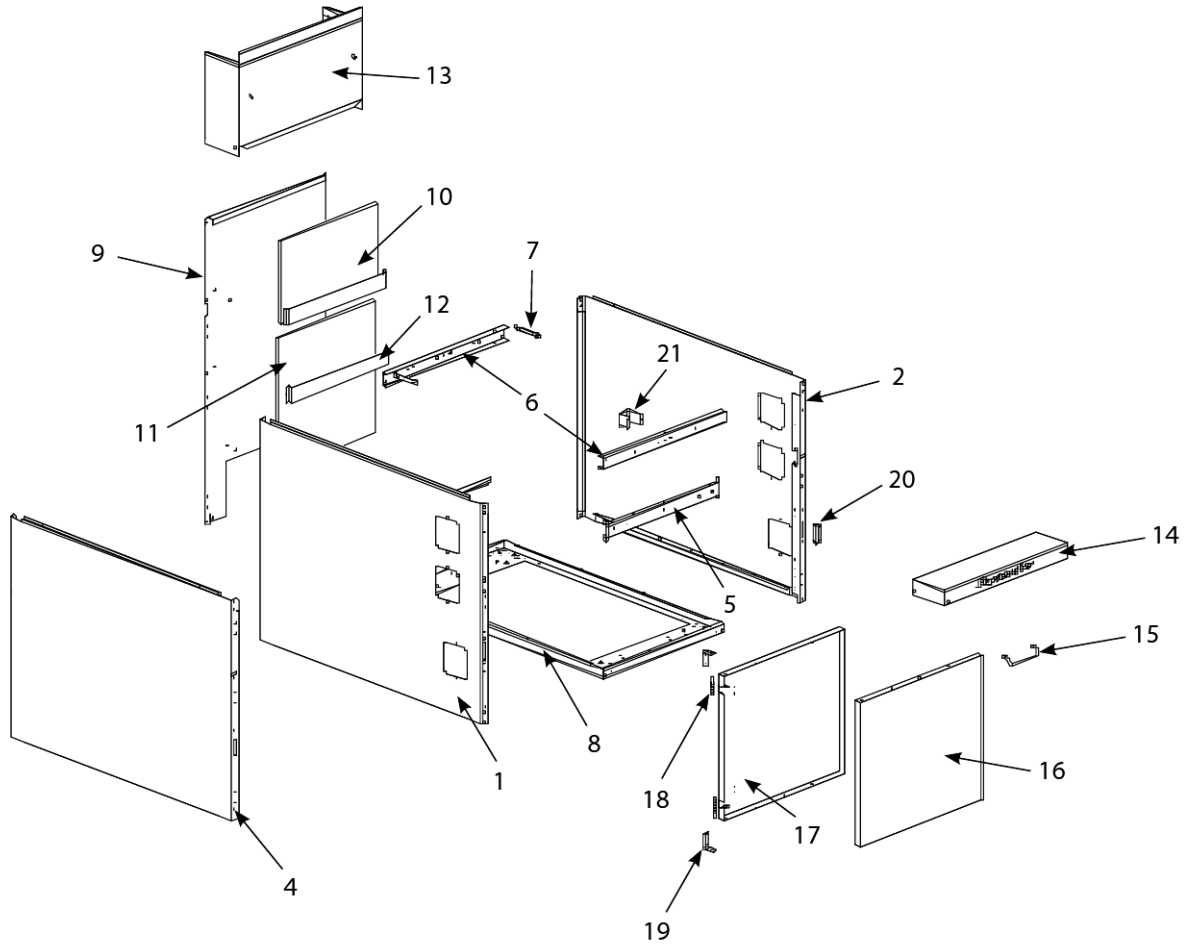
#	PART #	DESCRIPTION	QTY	Note
1	2010486SP	Side, Left- FMCF Unitary Cabinet- CRS	1	
1a	2110486SP	Side, Left- FMCF Unitary Cabinet- S/S	1	
2	2020486SP	Side, Right- FMCF Unitary Cabinet- CRS	1	
2a	2120486SP	Side, Right- FMCF Unitary Cabinet- S/S	1	
3	9007277	Support, Drain Pan	1	[1]
4	9004428SP	Brace, Cabinet- Upper Front & Rear	1	
5	9004401	Brace, Cabinet- Lower Front	1	
6	9002877SP	Brace, Lower- Front, Filter Magic Cabinet	1	
7	1060414SP	Rail Assembly, Filter Magic	1	
8	8100007	Leg, Square Tube	1	
9	9101832	Leg Retainer	1	
10	9102620	Leg, Front- Filter Magic Cabinet	1	
11	9009330SP	Back, Cabinet- Filter Magic/Spreader Cabinet CRS	1	
11a		Back, Cabinet- Filter Magic/Spreader Cabinet S/S	1	
12	8240253	Fluecap, Filter Magic/Spreader Cabinet, without Foodwarmer	1	
12a	8231453	Fluecap, Filter Magic/Spreader Cabinet, with Foodwarmer	1	
13	8230313	Box, Storage- Power Shower	1	
14	8260993SP	Handle Kit, Frypot Cover	1	
15	8061343	Cover- Frypot, Filter Magic/Spreader Cabinet	1	
16	9107704	Cover, With Hole- Filter Magic/Spreader Cabinet- S/S	1	
16a	9107705	Cover, With Hole- Filter Magic/Spreader Cabinet- M/S	1	
17		Café Pan Kit	1	
18		Cabinet Assembly, Filter Magic Filter Ready Euro-Look CRS	1	
18a		Cabinet Assembly, Filter Magic Filter Ready Euro-Look S/S	1	
19	8100356	Caster without Brake - 5"	1	
20	8100357	Caster with Brake - 5"	1	
21	8100378	Caster, Stationary- 5" Rigid	1	
21a		Caster, Rigid, 5", w/o Brake	1	
21b	8101551	Caster, 6 to 6.5-inch Adjustable, w/Brake	1	
22	8103168	Leg - Individual	1	[2]
22a	8101205	Leg, 6"	1	[2]
22b	8263320	Leg - 4 Pack	1	
23	8261095	Anchor Strap Kit	1	[3]
24	8260900	Kit, Chain Restraint	1	[4]
25	8261113	Caster Fastener Kit	1	
25a	8261043	Caster/Leg Mounting Hardware Kit	1	
25b		Kit, Mounting Hardware, 1 Caster/Leg	1	
25c		Kit, Mounting Hardware, 4 Casters/ Legs	1	

### PART NOTES:

- [1] - Side Stiffener
- [2] - Not Used on Filter Magic Filter Cabinet
- [3] - For Use on Single Fryers w/Legs
- [4] - For Use on Fryers w/Casters

# MJCF

## Fryer Cabinetry



# MJCF

## Fryer Cabinetry

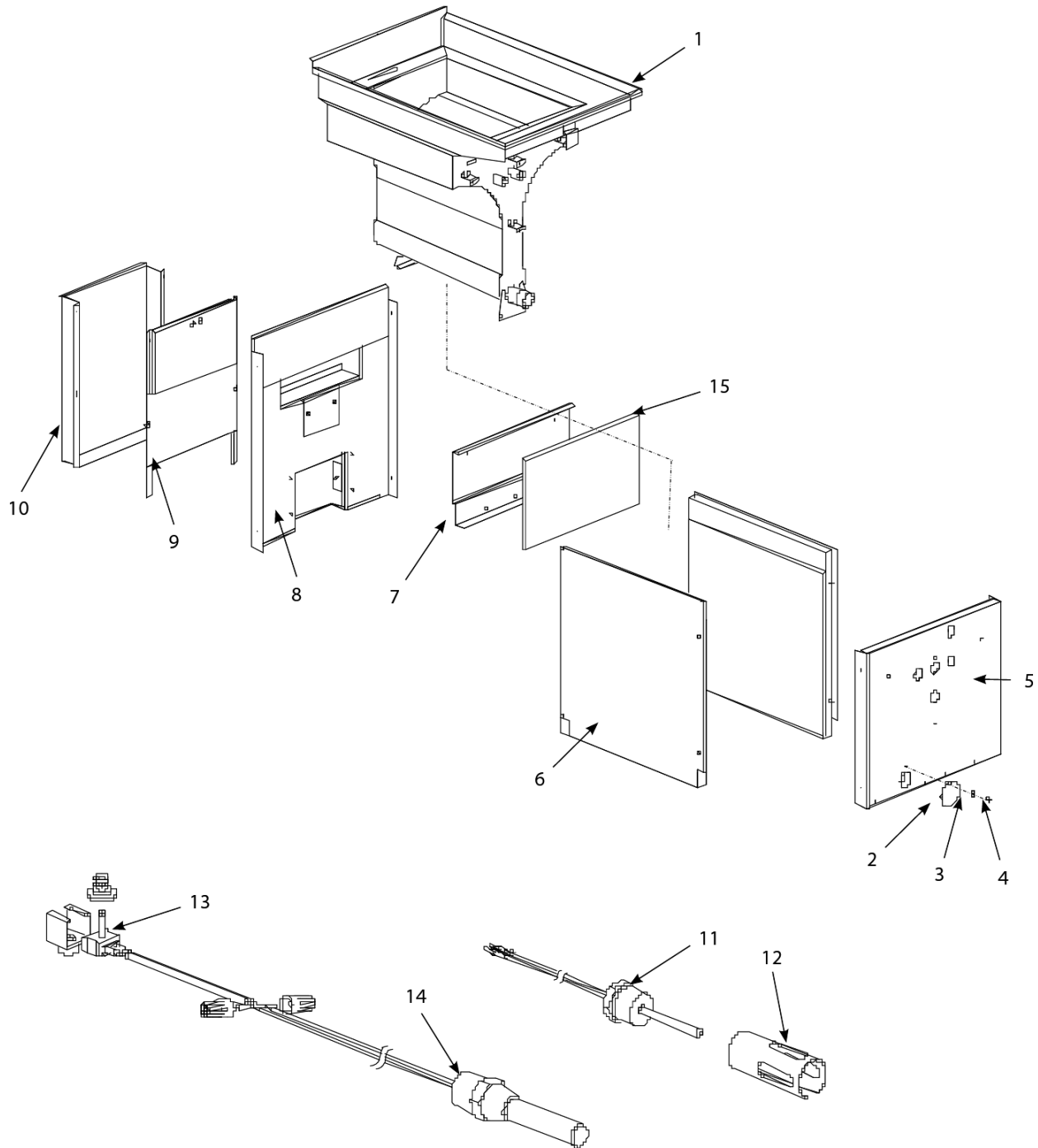
#	PART #	DESCRIPTION	QTY	Note
1	2010486SP	Side, Left- FMCF Unitary Cabinet- CRS	1	
1a	2110486SP	Side, Left- FMCF Unitary Cabinet- S/S	1	
2	2020486SP	Side, Right- FMCF Unitary Cabinet- CRS	1	
2a	2120486SP	Side, Right- FMCF Unitary Cabinet- S/S	1	
3	9000889	Cover, Holes- FMCF Unitary Cabinet- CRS	1	
3a	9100889	Cover, 4" x 4" S/S	1	
4	9007367SP	Side, Left & Right - MJCF CRS Cabinet	1	[1]
4a		Side, Right MJCF CRS Cabinet Euro	1	
4b	9107367SP	Side, Left & Right - MJCF S/S Cabinet	1	[1]
4c		Side, Right - MJCF S/S Cabinet	1	
5	9004401	Brace, Cabinet- Lower Front	1	
6	9004428SP	Brace, Cabinet- Upper Front & Rear	1	
7	9001714	Spacer, Flue Cap	1	
8	9005541	Base, MJCF/FMCF/Spreader Cabinet- One-Piece	1	
9	9009316	Back, Cabinet- MJCF/FMCF, CRS	1	
9a	9109316SP	Back, Cabinet- MJCF/FMCF, S/S	1	
10	8160128	Insulation, Cabinet- Upper Rear	1	
11	8160127	Insulation, Cabinet- Lower Rear	1	
12	9004419	Retainer, Insulation- Upper and Lower Back	1	
13	8232150	Fluecap, MJCF/FMCF	1	
14	8240491	Topcap, Single – MJCF/FMCF	1	
14a	8240492	Topcap, Dual – MJCF/FMCF	1	
14b	8240493	Topcap, Triple – MJCF/FMCF	1	
14c	8240494	Topcap, Quad – MJCF/FMCF	1	
15	8101422	Handle, Wireform Door	1	
16	8240118SP	Panel, Door- MJCF/FMCF, CRS	1	
16a	8240770SP	Panel, Door- MJCF/FMCF, S/S	1	
17	9306604	Liner, Door- All MJCF/FMCF	1	
18	1064067SP	Door Pin Assembly	1	
19	8101508	Hinge, Universal Door	1	
19a		Hinge, Door Lower Euro-Look	1	
19b		Hinge, Door Upper Euro-Look	1	
19c		Screw, #10 x 0.5 Phip TR HD NP	1	
20	8101105	Door Magnet - Vertical	1	
21	9001390	Brace, Frypot to Cabinet- MJCF/FMCF	1	
22		Door Assembly, CF Euro-Look	1	
22a		Cabinet Assembly MJCF Single Euro-Look CRS	1	
22b		Cabinet Assembly MJCF Single Euro-Look S/S	1	
23	8090535	Nut, "T" 0.25-inch-20 x 0.4375 SS	1	[2]
23a	8090015	Cagenut, Fluecap	1	[3]

**PART NOTES:**

- [1] - Euro Left Side Only
- [2] - round hole
- [3] - square hole

# MJCF

## Frypot, High-Limit and Probe Components



# MJCF

## Frypot, High-Limit and Probe Components

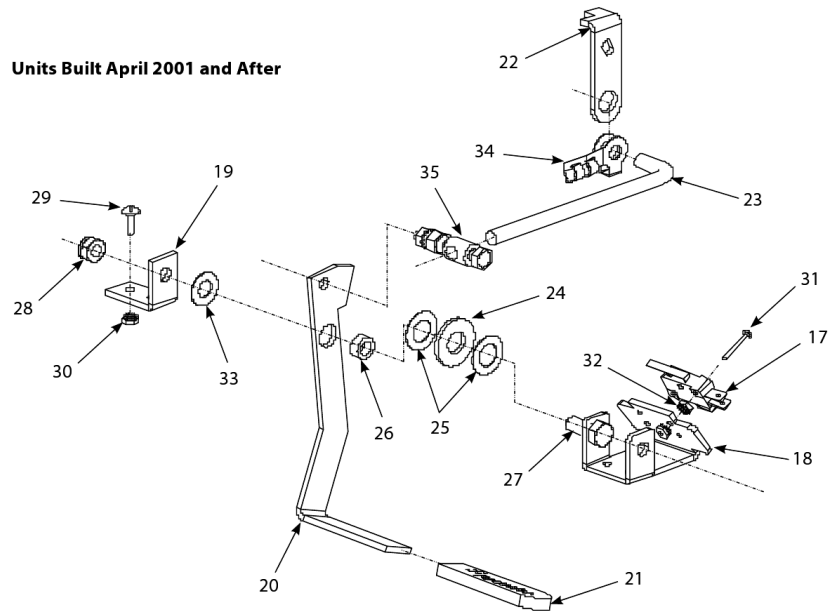
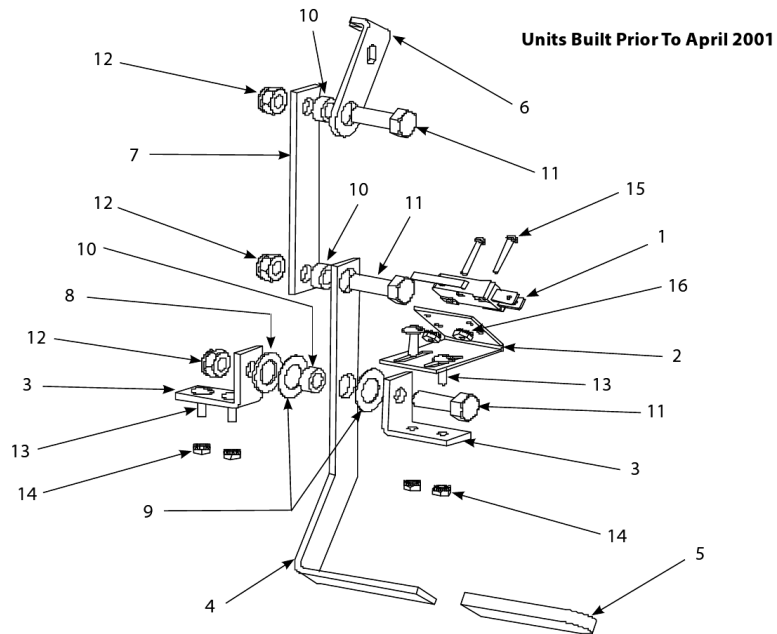
#	PART #	DESCRIPTION	QTY	Note
1	8233893SP	Frypot, Bare- FMCF & MJCF	1	
1a	1062553SP	Frypot, Complete	1	[1]
1b	8260861	Insulation kit	1	
1c	8130408	0.25 Pipe Plug, Used when vent tube is not used.	1	
1d	8130463-FRY	Plug - 0.5" NPT	1	
1e	8130684	Plug, Hex Socket, 0.375" NPT	1	
2	9001090	Cover, Pilot Viewport	1	
2a	8235302	Cover/Door, Pilot for Piezo Ignitor	1	
3	8100647	Holder, Security Screw	1	
4	8090409	Screw, #10 X 0.5-inch Round Head One-way Security	1	
5	9306401	Chamber, Front Combustion	1	[2]
6	9006412	Chamber, Side Combustion	1	[2]
7	8230290	Channel, Frypot Rear	1	[2]
8	8060833SP	Chamber, Rear Combustion	1	[3]
9	8060489	Flue, Front FMCF, MJCF with 0.5 x12 x14.5 Kaowool insulation	1	
9a		Flue, Front MJCF CE	1	
10	9306386	Flue, Rear	1	
11	8064206	Probe Assembly, Temperature	1	
12	2100681	Probe Guard	1	
13	8067550	High-Limit Thermostat, 218°C High-limit (CE)	1	[4]
13a	8121256SP	ECO Connector Only	1	[5]
14	8261177	Thermostat, High-Limit 425°F/218°C	1	
15	8160773	Insulation - 0.5" x 10" x 20.5"	1	

### PART NOTES:

- [1] - Include Combustion Chamber & Insulation
- [2] - Order Insulation Kit Separately
- [3] - Includes Insulation
- [4] - CE Only
- [5] - Requires soldering to high-limit wires and the installation of wire nuts 14 AWG

# MJCF

## Oil Return Handle Components





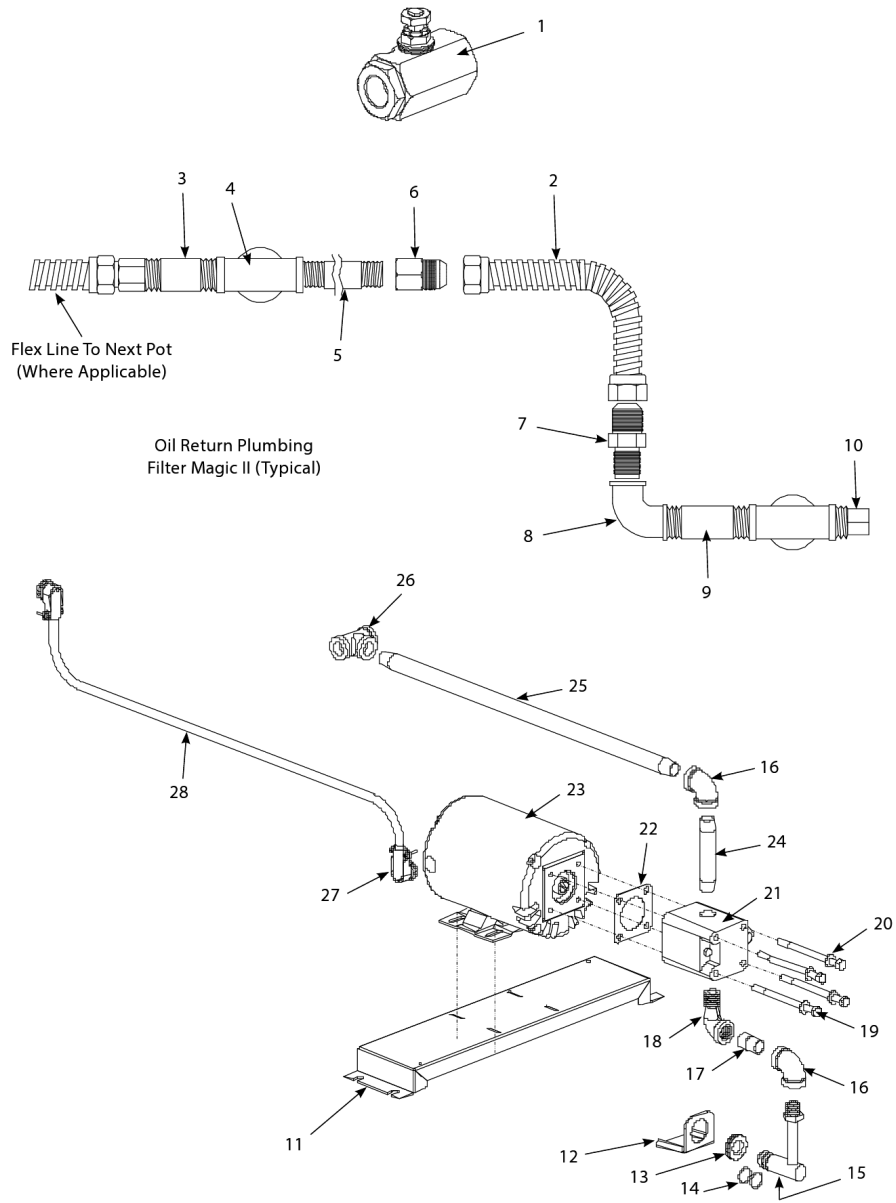
# MJCF

## Oil Return Handle Components

#	PART #	DESCRIPTION	QTY	Note
1	8072103	Microswitch	1	
2	9300839	Bracket, Microswitch	1	
3	8101999	Bracket, Valve Handle	1	
4	9001853-FRY	Handle, Oil Return	1	
5	8140047	Cap, Vinyl Red	1	
6	2025721	Handle, Valve	1	
7	9200220	Link, Oil Return Valve	1	
8	8090200	Washer, Flat	1	
9	8261381	Washer, Nylatron	10	
10	8100220	Spacer, Tubular, .493 OD	1	
11	8090142	Screw, 0.3125 – 24 x 0.75" Hex Head	1	
12	8090056	Nut - 0.3125"- 24, Hex Head, Nylon Lock	1	
13	8090104	Screw, 8-32 x 0.5-inch Slotted Head ZP	1	
14	8090247	Nut - #8-32 Keps Hex	1	
15	8261359	Screw - #4-40 x 0.75" Slotted Round Head	25	
16	8261366	Nut - #4-40 Keps Hex	25	
17	8072103	Microswitch	1	
18	2000821	Bracket, Handle and Microswitch	1	
19	8101999	Bracket, Valve Handle	1	
20	2000938	Handle, Oil Return	1	
21	8140047	Cap, Vinyl Red	1	
22	2025721	Handle, Valve	1	
23	2001059	Rod, Oil Return Linkage	1	
24	8090200	Washer, Flat	1	
25	8261381	Washer, Nylatron	10	
26	8100220	Spacer, Tubular, .493 OD	1	
27	8090142	Screw, 0.3125 – 24 x 0.75" Hex Head	1	
28	8090056	Nut - 0.3125"- 24, Hex Head, Nylon Lock	1	
29	8090104	Screw, 8-32 x 0.5-inch Slotted Head ZP	1	
30	8090247	Nut - #8-32 Keps Hex	1	
31	8261359	Screw - #4-40 x 0.75" Slotted Round Head	25	
32	8261366	Nut - #4-40 Keps Hex	25	
33	8101165	Washer, Teflon Drain Valve	1	
34	8090601	Clip, Clevis	1	
35	8100285	Swivel Fitting, Oil Return Valve Linkage	1	

# MJCF

## Oil Return Plumbing, Filter Pump and Motor Components



# MJCF

## Oil Return Plumbing, Filter Pump and Motor Components

#	PART #	DESCRIPTION	QTY	Note
1	8100278	Valve, 0.5" Ball	1	
1a	9002935	Retainer, Nut Oil Return Valve	1	
2		Flexline, Oil-Return – Measure Flexline to Determine Length Needed	1	
2a	8101043	Flexline - Oil Return - 9.5" L	1	
2b	8101055	Flexline - 0.625" OD x 11.5" L	1	
2c	8101057	Flexline - Oil Return - 13" L	1	
2d		Flexline, Oil-Return- 14" with Male Ends	1	
2e	8101369	Flexline - Oil Return - 17.5" L	1	
2f	8101068	Flexline - 0.625" OD x 21.5" L	1	
3	8130087	Nipple, 0.5-inch NPT x 1.5-inch (3.8 cm)	1	
4	8130003-FRY	Tee - 0.5" NPT	1	
5	8130362	Nipple, 0.5" x 7.50 NPT, Black Metal	1	
6	8101669	Female Adaptor - 0.875" OD x 0.5"	1	
7	8101668	Male Adaptor - 0.625" OD x 0.5"	1	
8	8130062	Elbow - 0.5" BM x 90°	1	
9	8130265	Nipple - 0.5" x 2.5" NP	1	
10	8130463-FRY	Plug - 0.5" NPT	1	
11	9007026	Base, Motor- Adjustable	1	
11a	8100665	Leveling Nut	1	
12	9001472	Diverter, Oil	1	[1]
13	8160102	Grommet, Oil Diverter	1	
14	8261392	O-Ring	1	[2]
15	8231356	Disconnect Fitting Male	1	[3]
16	8130062	Elbow - 0.5" BM x 90°	1	
17	8130022	Nipple, 0.5" Close NPT BM	1	
18	8130165	Elbow - 0.5" x 90° NPT Street	1	
19	8090514	Cap Screw - 0.3125" 18 NC Hex	1	
20	8090194	Flat Washer - 0.3125" ZP	1	
21	8261264	Pump Kit - 4 GPM	1	[4]
22	8160093	Gasket - Pump/Motor	1	
23	8261712	Motor and Gasket Kit - 115V/50-60 Hz	1	[5]
23a	8261270	Motor and Gasket Kit - 220-240V/50-60 Hz	1	[5]
23b	8261755	Motor and Gasket Kit - 250V/50-60 Hz	1	[5]
24	8130093-FRY	Nipple - 0.5" NPT x 4"	1	[6]
25	8130352	Nipple - 0.5" x 21.5" NPT	1	
26	8130003-FRY	Tee - 0.5" NPT	1	
27	8070141	Components, Connector, 0.375" Right Angle	1	
28	8110199	Flexible Conduit - 0.375"	1	[7]
29	8071408	Heater Strip - 120V/50W - 70"	1	
29a	8072348	Heater Strip - 250V/90W - 70"	1	
29b	8072050	Heater Strip - 250V/90W - 70"	1	
30	8110746-FRY	Aluminum Tape – 50 yard roll	1	[8]
31	8110861	Foam Insulation – by the foot	1	[9]

**PART NOTES:**

[1] - To Protect Contactor Block

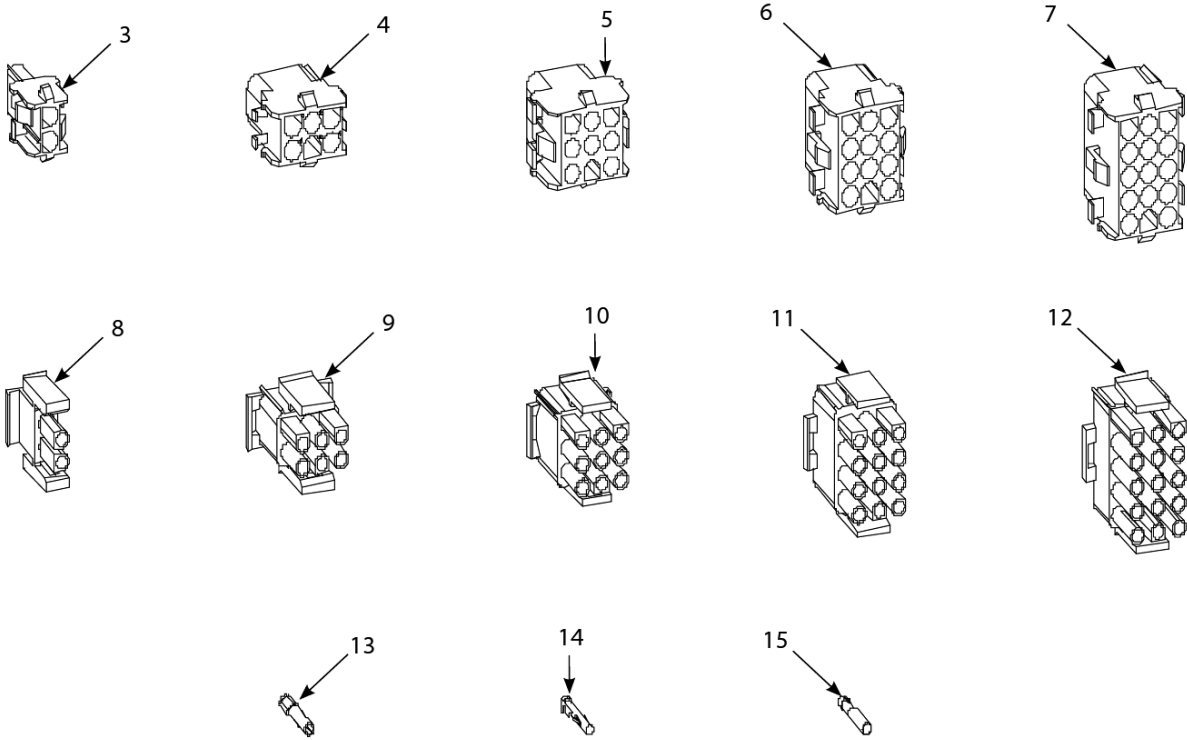
# MJCF

## Oil Return Plumbing, Filter Pump and Motor Components

#	PART #	DESCRIPTION	QTY	Note
[2]	-	Qty: 5		
[3]	-	Male		
[4]	-	Includes Items 19, 20 & 22		
[5]	-	Includes Item 22		
[6]	-	replaces Item 11 in some models		
[7]	-	Order By Foot- 2.4 Feet Required		
[8]	-	Required For Heater Strip Installation		
[9]	-	Order Per Foot		

# MJCF

## Wiring Connectors, Pin Terminals and Power Cords



# MJCF

## Wiring Connectors, Pin Terminals and Power Cords

#	PART #	DESCRIPTION	QTY	Note
1		Power Cords	1	
1a	8070154	Power Cord - 120V w/Ground Plug	1	
1b	8066229SP	Power Cord - 240V w/o Plug	1	
1c	8071685	Power Cord - 450V - 18A - 110-inch, 3-wire, 16-gauge	1	
2		Connectors	1	
3	8071068	2-Pin Female	1	
4	8070158	6-Pin Female	1	
5	8070156	9-Pin Female	1	
6	8070159	12-Pin Female	1	
7	8070875	15-Pin Female	1	
8	8071067	2-Pin Male	1	
9	8070157	6-Pin Male	1	
10	8070155	9-Pin Male	1	
11	8070160	12-Pin Male	1	
12	8070804	15-Pin Male	1	
13	8261341	Terminal, Female Split Pin	25	
14	8261342	Terminal, Male Split Pin	25	
15	8072518	Plug, Mate-N-Lock	1	[1]

**PART NOTES:**

[1] - Dummy Pin