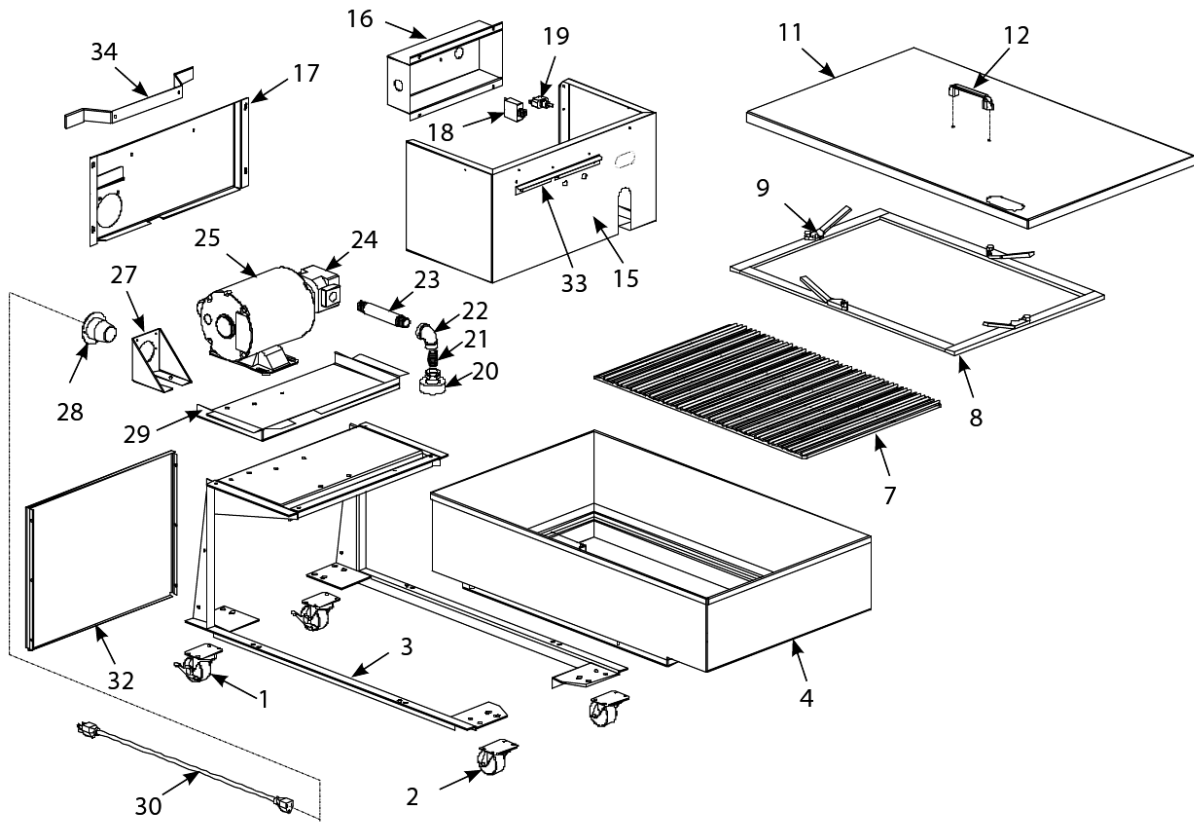


PF95LP

Main components



Main components

PF95LP

Main components

#	PART #	DESCRIPTION	QTY	Note
1	8102806	Caster - 2" Swivel	1	
2	8102805	Caster - 2"	1	
3	8121817	Frame, Filter	1	
4	8233680	Pan, Filter- PF95 Series	1	
5	8090070	Nut, 0.25-20 Hex, S/S	1	[1]
6	8090190	Washer, .625 X .275 X 40 Flat SS	1	[2]
7	8238435	Screen, Paper Support- PF95 Series	1	
8	1062032SP	Ring, Hold-down Assy- 4-Handle PF95 Series	1	
8a	8102289	Ring, Hold-down Assy- 6-Handle PF95 Series	1	
9	8102108	Handle, Latch	1	[3]
10	8090808	Screw, Shoulder- 0.3125-18 x 0.803"	1	[4]
11	2101883	Lid, Filter Pan- PF95 Series	1	
12	8100180	Handle	1	
13	8090918	Screw - #10-24 x 0.5" Slotted	1	[5]
14	8090191	Washer, Lock 0.25 Spring ZP	1	
15	8233684	Housing, Top- Motor/Component	1	
16	2001542	Housing, Switch	1	
17	8233590	Back, Motor Housing	1	
18	8073577	Circuit Breaker - 7 amp	1	[6]
18a	8073538	Circuit Breaker - 5 amp	1	[7]
19	8071041	Toggle Switch - 2-Way	1	
20	1061831SP	Coupler Assembly, Female- 0.375"	1	
21	8130772	Nipple, 0.375" NPT x Close- SS	1	
22	8130691	Elbow, 0.5 x 0.375" Chrome-Plated	1	
23	8130761	Nipple, 0.5 x 5" NPT S/S	1	
24	8102252	Pump, 5GPM, Filter	1	
25	8102100	Motor, Filter Pump	1	
26	8073689	Harness, Wire- Receptacle To Motor	1	
26a	8073752	Harness, Wire- Motor To Switch/Circuit Breaker	1	
27	2102955	Bracket, Receptacle Mount- 120V Units Only	1	
27a	2103818	Bracket, Receptacle Mount- 230V Units Only	1	
28	8071219	Receptacle - 3-Wire	1	
28a	8073795	Receptacle, 230 VAC Three-Wire	1	
29	2001588	Tray, Pump and Motor	1	
30	8071224	Cord, Power - 3-Wire 115V	1	
31	8073831	Connector, Export Plug- 230V	1	[8]
32	2102978	Cover, Rear	1	
33	2101570	Cover, Switch/Circuit Breaker	1	
34	2002956	Bracket, Power Cord Storage	1	

PART NOTES:

- [1] - Filter Pan to Frame- 4 Required
- [2] - Use With 8090070
- [3] - For Hold-Down Rings
- [4] - For Latch Handles
- [5] - Pan Lid Handle
- [6] - 120VAC

Main components

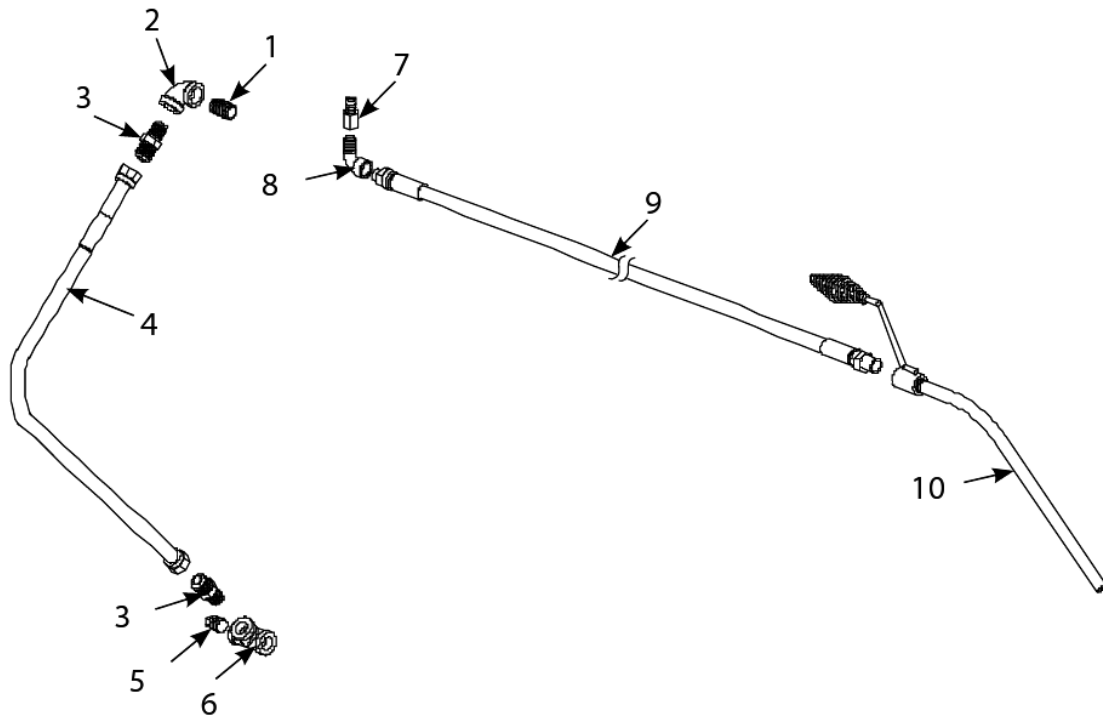
PF95LP

Main components

#	PART #	DESCRIPTION	QTY	Note
[7]	- 230VAC			
[8]	- Cord Not Included			

PF95LP

Plumbing, Oil-Return Components and Accessories



PF95LP

Plumbing, Oil-Return Components and Accessories

#	PART #	DESCRIPTION	QTY	Note
1	8130022	Nipple, 0.5" Close NPT BM	1	
2	8130062	Elbow - 0.5" BM x 90°	1	
3	8101668	Male Adaptor - 0.625" OD x 0.5"	1	[1]
4	8101400	Flexline - 0.625" OD x 21" L	1	
5	8130629	Plug, 0.5" NPT Square Head	1	
6	8130003-FRY	Tee - 0.5" NPT	1	
7	8102172	Quick Disconnect, Male- 0.375"	1	
8	8130632	Elbow, 0.375-inch X 90° NPT Street	1	
9	8102113	Hose, 0.5 x 0.375" Fittings 61-0.5" Long	1	
10	1061454SP	Wand Assembly	1	
11	1061455SP	Hose/Wand Assy Complete	1	[2]
12	8030289	Filter Paper - 22" x 34"	1	
13	8030002	Powder, Filter	1	[3]

PART NOTES:

- [1] - Flexline to NPT
- [2] - Items 7-10
- [3] - 80 1-Oz Applications