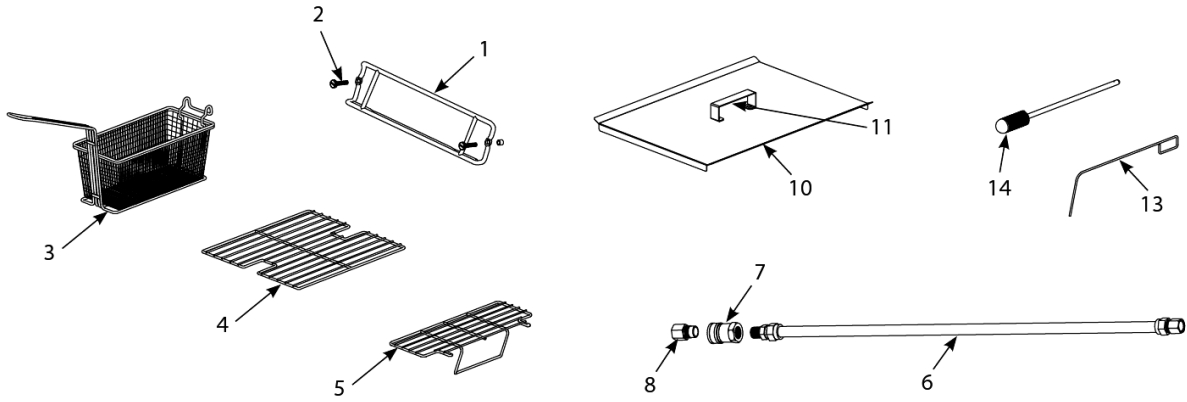


Accessories



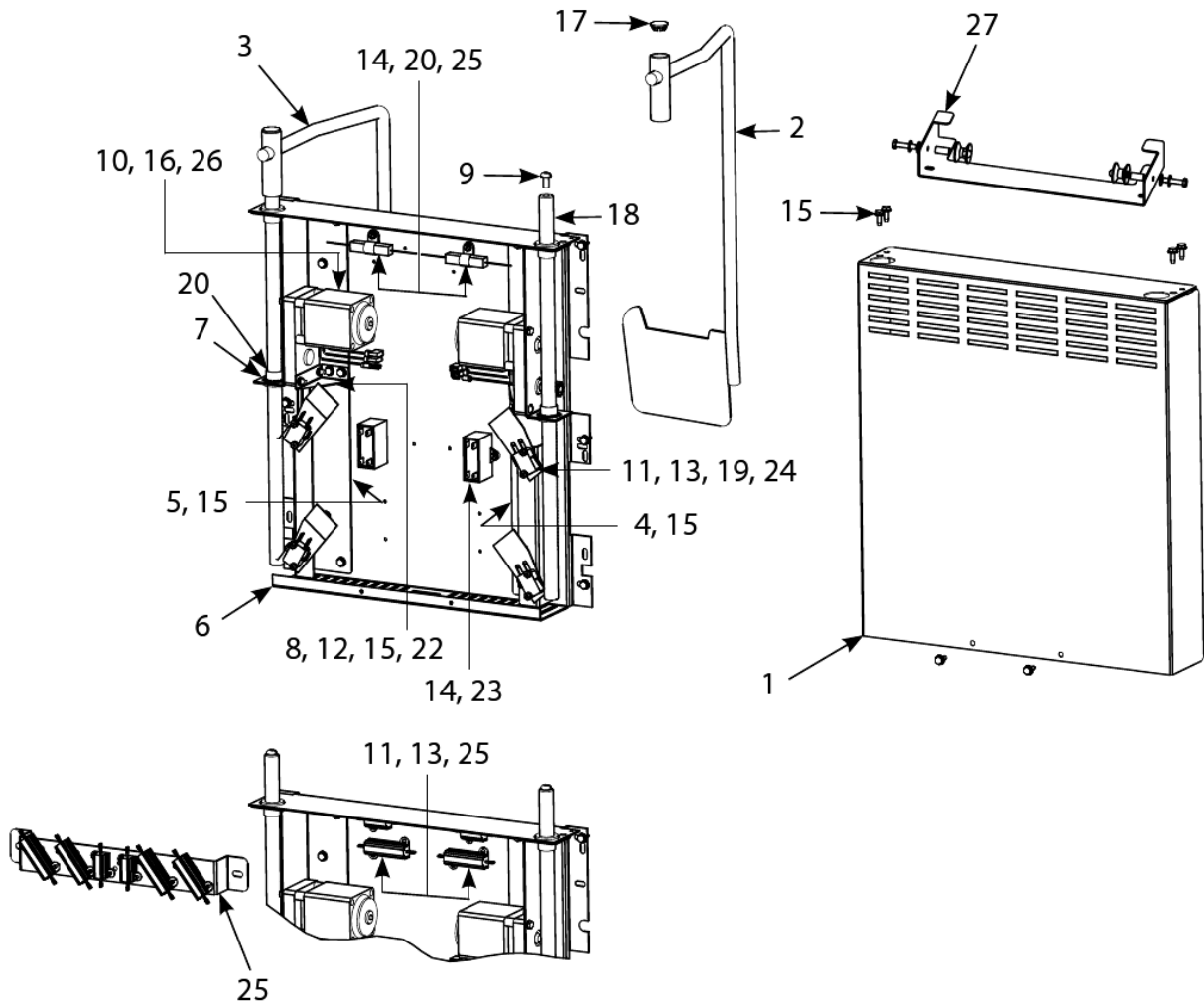
Accessories

#	PART #	DESCRIPTION	QTY	Note
1	8102793	Hanger - Wireform Basket	1	
1a	1062186	Basket Hanger, Burger King®	1	
1b	8234447	Basket Hanger, Buffalo Wild Wings® and Jack in the Box®	1	
1c	8231462	Basket Hanger, Checkers®	1	
1d	1062185	Basket Hanger, Checkers®, Bracket	1	
2	8090171	Thumbscrew, 0.25-20 x 1.375-inch	1	
2a	8090921-FRY	Spacer, Basket Hanger	1	
2b	8030099	Basket, Full Size	1	
3	8030271	Basket, Twin Size	1	
3a	8030190	Basket, Twin, Buffalo Wild Wings®	1	
3b	8030357	Basket, Triple	1	
4	8030132	Rack, Full-Vat Basket Support	1	
5	8030133	Rack, Dual-Vat Basket Support	1	
5a	8030032	Basket Support Rack, J2X	1	
5b	8030136	Basket Support Screen, Full Vat	1	
5c	8030037	Basket rack, fine mesh GF14	1	
6	8100088	Gas Line, 1-Inch Dormont Flexible, 36-Inch	1	
6a	8100084	Hose, Flexible Gas, 0.75-inch x 48-inch	1	
7	8100073	Coupling, Gas Line Female Quick Disconnect 1-inch	1	
8	8100074	Quick-Disconnect Fitting, 1-Inch Male	1	
9	8030188	Sediment tray, GF14	1	
9a	8030103	Valve, Manual Gas Shut Off 0.75"	1	
9b	8030107	Sediment Trays (Full-Vat)	1	
9c	8030108	Sediment Trays (Left Dual-Vat)	1	
10	8065518	Cover, Frypot, Full Vat	1	
10a	8063232	Cover, Frypot, Dual Vat	1	
11	8260993SP	Handle Kit, Frypot Cover	1	
12	8261351	Nut Retainer, 0.25-20 Std. Fluecap	10	[1]
13	8030197	Fryer's Friend	1	
14	8030209	Brush, Frypot	1	
15	8030278	L-shaped Brush	1	
16	8233660	Crumb Scoop	1	
17	8235936	Splash Guard, Right	1	
18	8235937	Splash Guard, Left	1	
19	OPT32686	Foodwarmer	1	[2]
19a	8066988SP	Foodwarmer Kit	1	
20	1064786	Spreader Storage Pan	1	
21	9103557	Fryer's Friend 27"	1	[3]
22	8261017	Screw Kit, Flue Deflector	1	[3]
23	KIT3647	Applebee's® Heat Lamp	1	[4]

PART NOTES:

- [1] - for use on standard fluecap
- [2] - with scoop pan
- [3] - See Section 2.6 for more information and associated items
- [4] - available as OPT33030 for MJ 45 only

Basket Lift and Associated Parts



RESOURCE NOTES:

Assemblies 1061807SP (100-120V) and 1061810 (230/240/250V) do not include Items 1, 2, 3, 9, or 17. These items must be ordered separately.

For 100-120V units, each individual resistor (8072661) may be replaced or the entire resistor assembly (8068530SP) may be replaced.

For 208-250V units, the entire resistor assembly (1062771 or 8069185) must be replaced.

Wiring has been omitted for clarity.

Basket Lift and Associated Parts

#	PART #	DESCRIPTION	QTY	Note
1	9104776	Cover, Modular Basket Lift Rear S/S	1	
1a	9004776	Cover, Modular Basket Lift Rear S/S	1	[1]
1b	8261991	Cover, Kit S/S Modular Basket Lift with screws	1	[2]
2	8237062	Basket Lift Arm, Left	1	
3	8237064	Basket Lift Arm, Right	1	
4	9018499	Chassis, Left Basket Lift	1	
5	9028499	Chassis, Right Basket Lift	1	
6	2002942	Mount, Modular Basket Lift	1	
7	8090082	Ring, Bushing Retainer	1	
8	8261361	Screw - #2-32 x 1" Slotted Truss Head	25	
9	8090127	Screw, 0.25-20 X 0.5-inch Slotted Round Head	1	
10	8090186	Lock Washer w/External Teeth, #8	1	
11	8261366	Nut - #4-40 Keps Hex	25	
12	8090247	Nut - #8-32 Keps Hex	1	
13	8261359	Screw - #4-40 x 0.75" Slotted Round Head	25	
14	8261371	Screw - #8 x 0.5" Hex Head ZP	25	
15	8261374	Screw - #10 x 0.5" Hex Head	25	
16	8090503	Screw - #8-32 x 0.5" Slotted Truss Head	1	
17	8100172	Plug, 0.625-inch Stainless Steel Hole	1	
18	8101012	Rod, Basket Lift	1	
19	8120442	Insulation, Microswitch	1	
20	8130035	Bushing , Oiltite .640 I.D.	1	
21	8160033	Tie Wrap, Screw Mount	1	
22	9005529	Gusset, Basket Lift Motor	1	
23	8072513	Capacitor - 12.5 MFD/330VAC	1	
24	8072572	Microswitch	1	
25	8068530SP	Resistor Assy, 100-120V Modular Basket Lift	1	
25a	1062771	Resistor Assembly, CE, 208-250V Modular Basket Lift	1	
26	8065964SP	Motor Assembly - 208-240V	1	
26a	8101013	Gear, Modular Basket Lift	1	
26b	8090504	Set Screw, 6-32 x .185	1	
26c	8100973	Woodruff Key - Gearmotor Assembly	1	
27	8069257SP	Roller Assembly, Basket Lift	1	
28	1061807SP	Basket Lift Assemblies, 100-120V w/o Relay	1	[3]
28a	1061810SP	Basket Lift Assemblies, 202-250V w/o Relay	1	
28b	KIT6421	Basket Lift Assemblies, Complete 120V Basket Lift Assembly for FPP35/45	1	
28c	KIT7193	Basket Lift Assemblies, Complete 230V Basket Lift Assembly for FPP35/45	1	
28d	KIT7413	Basket Lift Assemblies, Complete 230V Basket Lift Assembly for PMJ35	1	
29	8073699	Basket Lift Power, Non-CE/CE68"	1	
30	8241476	Tray, Drip Left	1	
31	8241477	Tray, Drip Right	1	
32	2008862	Drip Plate/Shield	1	

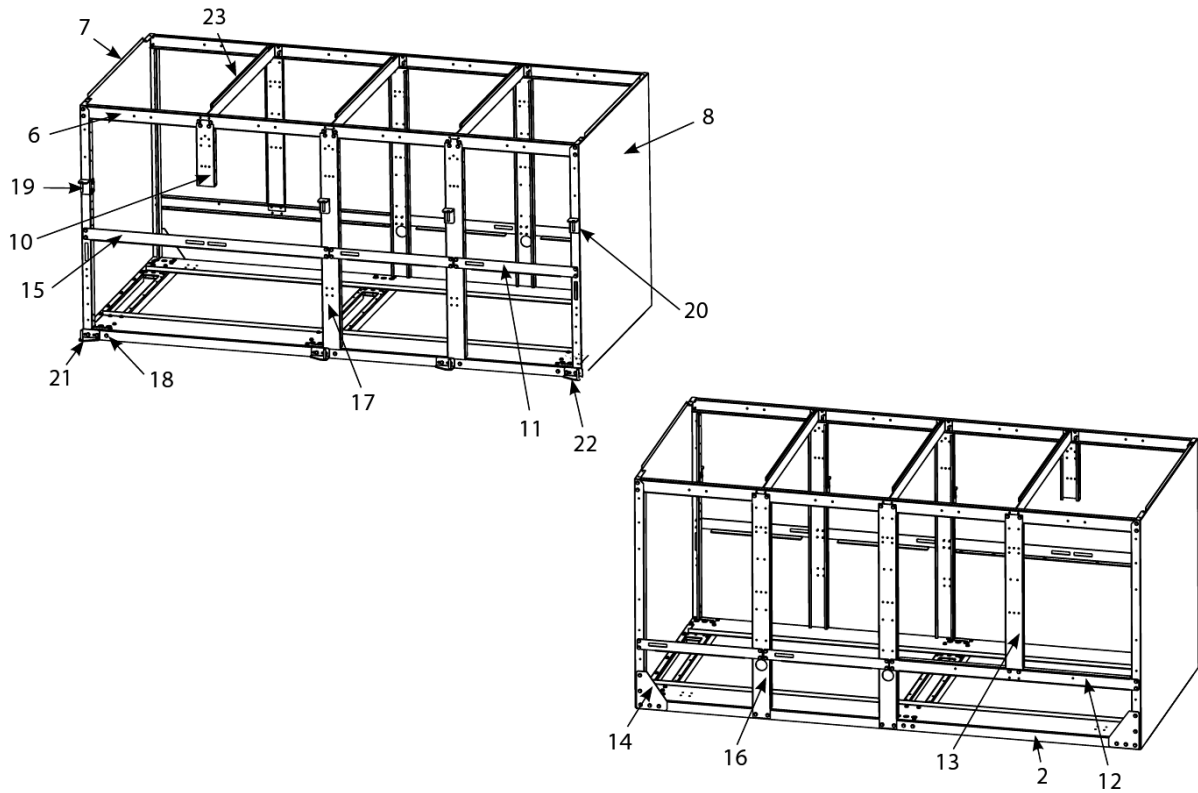
Basket Lift and Associated Parts

#	PART #	DESCRIPTION	QTY	Note
---	--------	-------------	-----	------

PART NOTES:

- [1] - CRS cover
- [2] - with 12 screws
- [3] - without relay

Cabinetry - PMJ (Non-filter) Model Cabinetry



Cabinetry - PMJ (Non-filter) Model Cabinetry

#	PART #	DESCRIPTION	QTY	Note
1	1064028	Cabinet Assemblies, Single Station Fryer, Stainless	1	
1a	1064030	Cabinet Assemblies, Single Station Fryer, Cold Rolled Steel	1	
1b	8066741	Cabinet Assemblies, Single Station Fryer, Cold Rolled Steel (Garland)	1	
1c	1064036	Cabinet Assemblies, Two Station Fryer, Stainless	1	
1d	1064051	Cabinet Assemblies, Two Station Fryer, Cold Rolled Steel	1	
1e	1064037	Cabinet Assemblies, Three Station Fryer, Stainless	1	
1f	1064052	Cabinet Assemblies, Three Station Fryer, Cold Rolled Steel	1	
1g	1064038	Cabinet Assemblies, Four Station Fryer, Stainless	1	
1h	1064053	Cabinet Assemblies, Four Station Fryer, Cold Rolled Steel	1	
1i	1064039	Cabinet Assemblies, Five Station Fryer, Stainless	1	
1j	1064054	Cabinet Assemblies, Five Station Fryer, Cold Rolled Steel	1	
1k	1064525	Cabinet Assemblies, Applebee's® Dump Station	1	
2	1065440	Base Assemblies, Single Station Fryer	1	
2a	1064040	Base Assemblies, Two Station Fryer	1	
2b	1064041	Base Assemblies, Three Station Fryer	1	
2c	1064042	Base Assemblies, Four Station Fryer	1	
2d	1064043	Base Assemblies, Five Station Fryer	1	
3	2006903	Back GF14	1	
3a	2006904	Back GF40	1	
3b	2106817	Back Panels, Single, Use with 1064028.	1	
3c	2106818	Back Panels, Single, Use with 1064028.	1	
3d	2005867	Back Panels, Single, Use with 1054525	1	[1]
4	2006901	Back Panels, Upper	1	[2]
4a	2006902	Back Panels, Upper	1	[3]
4b	2006906	Back Panels, Upper	1	[4]
4c	2006907	Back Panels, Upper (Use with cabinet assemblies.), Use with 1064052, 1064037.	1	
4d	2106608	Back Panels, Upper (Use with cabinet assemblies.), Use with 1064036, 1064038, 1064039.	1	
4e	2106895	Back Panels, Upper (Use with cabinet assemblies.), Use with 1064037, 1064039.	1	
4f	2106896	Back Panels, Upper (Use with cabinet assemblies.), Use with 1064037.	1	
4g	2106650	Back Panels, Upper (Use with cabinet assemblies.), Use with 1064036, 1064038.	1	
5	2006905	Back Panels, Lower (Use with cabinet assemblies.), Use with 1064036, 1064038, 1064039, 1064051, 1064053.	1	
5a	2006908	Back, Lower Cabinet, Aluminized	1	
5b	2106874	Back Panels, Lower (Use with cabinet assemblies.), Use with 1064037, 1064039, 1064052.	1	
5c	2106897	Back, Lower Cabinet, Stainless Steel	1	
6	9004813	Brace, Cabinet Top Single	1	
6a	9007730	Brace, Top Cabinet, Two Station Fryer	1	
6b	9009430	Brace, Top Cabinet, Three Station Fryer	1	
6c	9009318	Brace, Top Cabinet, Four Station Fryer	1	
6d	2005474	Brace, Top Cabinet, Five Station Fryer	1	
7	2116893SP	Left Side - Painted	1	
7a	2016917SP	Left Side SS	1	

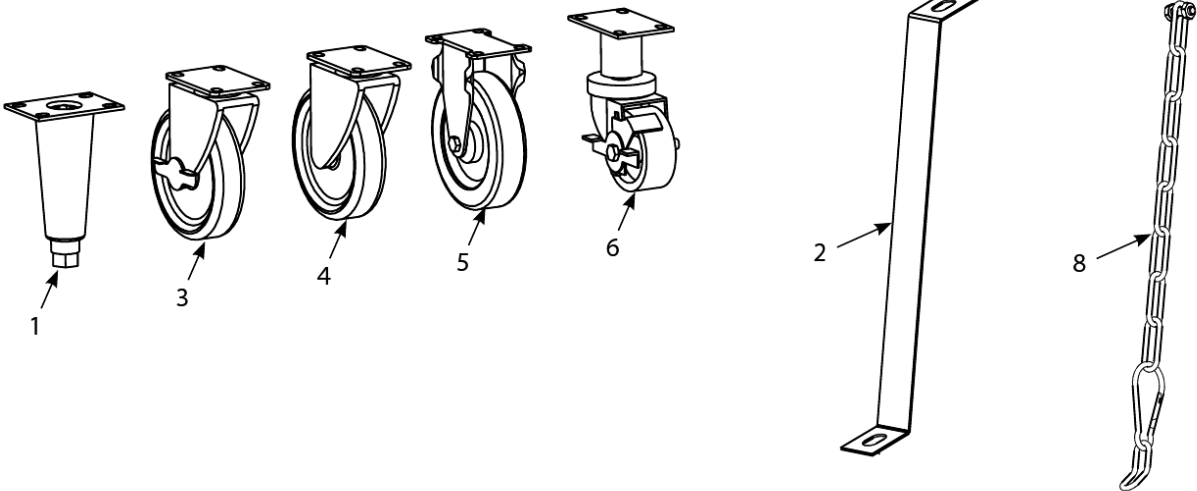
Cabinetry - PMJ (Non-filter) Model Cabinetry

#	PART #	DESCRIPTION	QTY	Note
7b	2116933	Side, Left Cabinet, Stainless Steel with hole	1	
7c	2016934	Side, Left Cabinet, Stainless Steel with hole (Cold Rolled Steel)	1	[5]
8	2126893	Right Side - Painted	1	
8a	2026917	Right Side SS	1	
8b	2126933	Side, Right Cabinet, Stainless Steel with hole	1	
8c	2026934	Side, Right Cabinet, Stainless Steel with hole	1	
9	2006908	Back, Lower Cabinet, Aluminized	1	
9a	2106897	Back, Lower Cabinet, Stainless Steel	1	
10	2002235	Bracket, Component Box	1	
11	2001953	Brace, Front Cabinet	1	
12	2006057	Brace, Cabinet Cross	1	
13	2006062	Support, Cabinet upper Rear	1	
14	2006346	Gusset, Rear Cabinet	1	
15	2006486	Brace, Front Cross	1	
16	2006894	Post, Rear Cabinet Long	1	
17	2006911	Post, Front Cabinet Long	1	
18	8261374	Screw - #10 x 0.5" Hex Head	25	
19	8234727	Hinge Assembly, Left Upper	1	
20	8234728	Hinge Assembly, Right Upper	1	
21	8234745	Hinge Assembly, Left Lower	1	
21a	8234713	Hinge Assembly, Left Lower	1	[6]
22	8234746	Hinge Assembly, Right Lower	1	
23	9007326	Divider	1	
24	KIT0293	Joiner Kit, Applesbee's® Dump Station	1	
25	8101105	Door Magnet - Vertical	1	
26	8090193	Flat Washer - 0.25" Nylon	1	

PART NOTES:

- [1] - Applesbee's®
- [2] - Use with cabinet assemblies, Use with 1064036, 1064038, 1064039, 1064051, 1064053.
- [3] - Use with cabinet assemblies, Use with 1064036, 1064051, 1064053.
- [4] - Use with cabinet assemblies, Use with 1064037, 1064039, 1064052.
- [5] - Cold Rolled Steel
- [6] - on single fryers

Casters, Legs, and Associated Hardware



Casters, Legs, and Associated Hardware

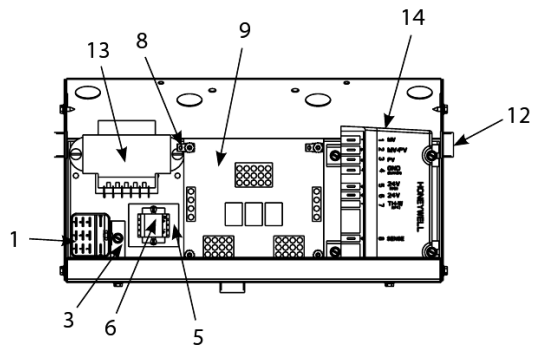
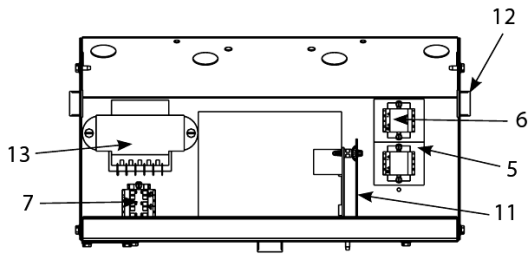
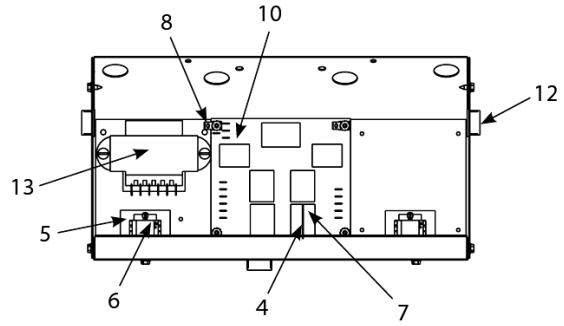
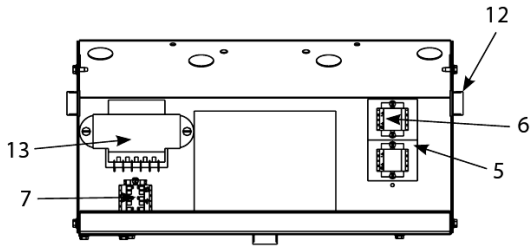
#	PART #	DESCRIPTION	QTY	Note
1	8263320	Leg - 4 Pack	4	
1a	8103168	Leg - Individual	1	
2	8261095	Anchor Strap Kit	1	
3	8100357	Caster with Brake - 5"	1	
3a	8261118	Caster, 5" Swivel w/Brake	1	
4	8100356	Caster without Brake - 5"	1	
4a	8261117	Caster, 5" Swivel w/o Brake	1	
5	8100378	Caster, Stationary- 5" Rigid	1	
6	8100651	Caster w/Brake –FootPrint II	1	
6a	8261130	Caster, 3" Swivel w/Brake	1	
7	8100750	Caster, 90° rigid	1	[1]
8	8260900	Kit, Chain Restraint	1	
9	8261113	Caster Fastener Kit	1	[2]

PART NOTES:

- [1] - PMJ units
- [2] - one per caster or leg

Component

Boxes



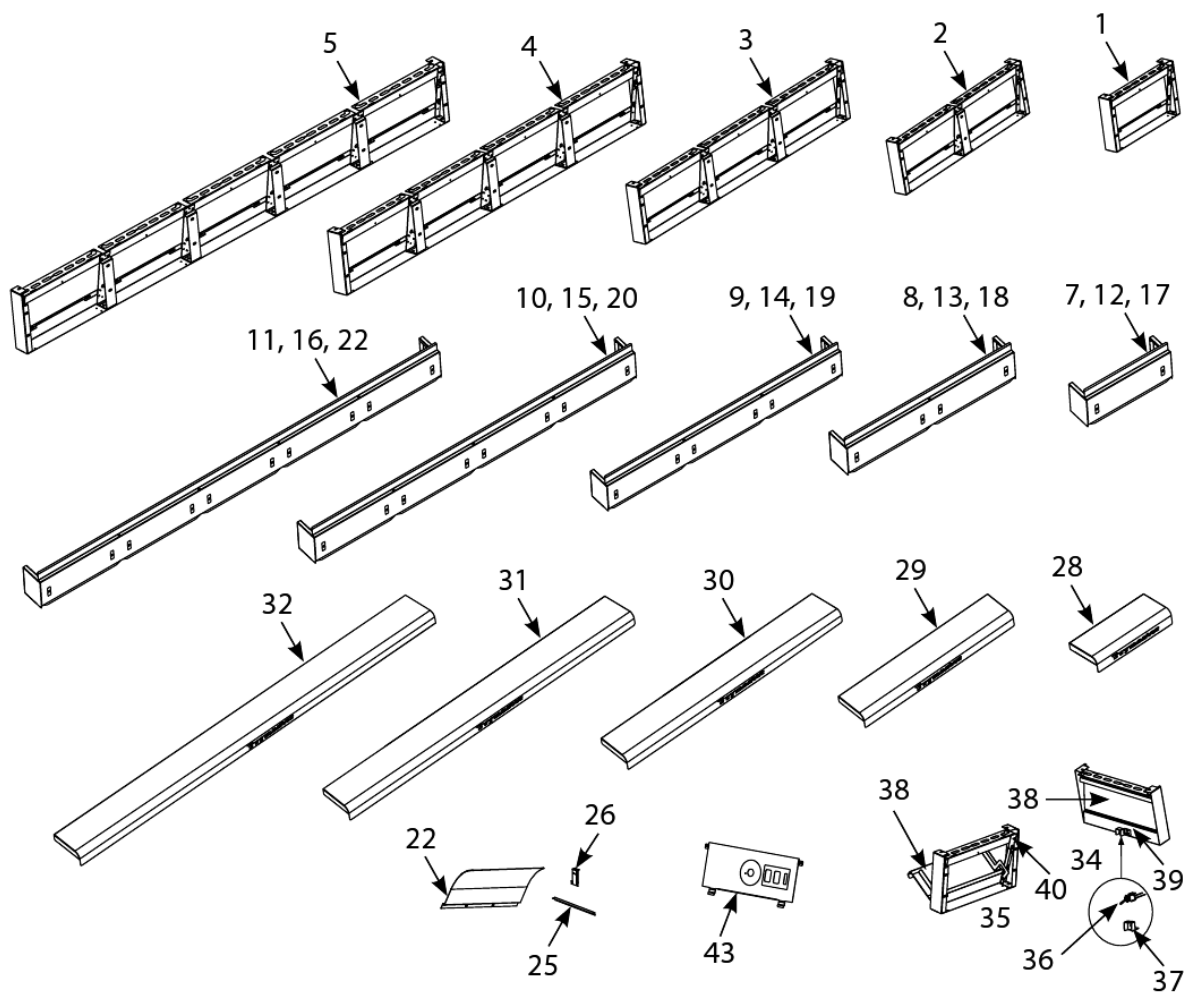
Component Boxes

#	PART #	DESCRIPTION	QTY	Note
1	8070670	Relay, 24V DPDT	1	
2	8070833	Relay, DPDT 5A 12VDC Latch	1	
2a	8070834	Relay, SPDT 15A 12VDC Basket Lift	1	
3	2007176	Bracket, Relay	1	
4	8102243	Spring, Relay Retaining	1	
5	8160217	Insulation, Terminal Block Paper	1	
6	8101164	Block, One-Piece Screwless Terminal	1	
7	8101168	Terminal, Block Screwless End	1	[1]
8	8261337	Tab, 0.25-inch Terminal	5	
9	8065857	Interface Board, Electronic Ignition	1	
10	8262425	Control Board w/Wiring Harness	1	
11	8261546	Melt Cycle Timer Kit	1	
12	8100045	Bushing, .875 Dia. Hole 0.6875"	1	
13	8070800	Transformer, 100-120V/24V 50VA Filter and MIB	1	
13a	8074978	Transformer - Dual Voltage 100-120V/12V 30VA /24V 50VA	1	
13b	8070680	Transformer, 208V, 50/60Hz -24V 20VA	1	
13c	8075129	Transformer - Dual Voltage 208-240V	1	
14	8262898	Kit to replace Honeywell module with Fenwal 8075244	1	
15	8262898	Kit to replace Honeywell module with Fenwal 8075244	1	
16	8065879SP	Cable Assembly, Ignition Module, Interface Board to Module	1	
17	8065830SP	Cable, Ignition, with Ceramic Cover	1	
17a	8075008	Ignition Cable - 21"	1	
17b	8261721	Ignition Cable w/ Rajah	1	[2]
18	8074375	Connector, Rajah	1	
19	8071928	Flame Sensor Electrode	1	
20	WIR0165	Component Shield (Std.) Wiring	1	
20a	208250	Component Shield (Std.) Wiring (FV, Export only)	1	
21	8090349	Spacer, 4mm X 6mm Aluminum	1	
22	8261346	Spacer, Ignition Module	10	
23	WIR0148	Component Shield (with Mechanical Timer) Wiring	1	
23a	WIR0161	Component Shield (with Melt Cycle) Wiring (DV)	1	
23b	WIR0164	Component Shield (with Melt Cycle) Wiring	1	[3]
23c	WIR0160	Component Shield Wiring (DV)	1	
23d	WIR0163	Component Shield Wiring (FV)	1	
23e	WIR0162	Component Shield Wiring (FV, DV)	1	
24	WIR0258	Wiring, Component Shield	1	
25	WIR0329	Component Shield Drainswitch Wiring	1	[4]
26	WIR0349	Microswitch Wiring (DV)	1	
26a	WIR0350	Microswitch Wiring (DV)	1	

PART NOTES:

- [1] - 230V, 50 Hz Filter Magic
- [2] - used with MJ45 ignition cable kit
- [3] - FV, 240V and below
- [4] - DV/FV

Control Panel Assemblies, Flue Caps, and Related Items



Control Panel Assemblies, Flue Caps, and Related Items

#	PART #	DESCRIPTION	QTY	Note
1	1081550	Control Panel Assemblies, Single Station Fryer	1	
2	1081551	Control Panel Assemblies, Two Station Fryer	1	
3	1081552	Control Panel Assemblies, Three Station Fryer	1	
4	1081553	Control Panel Assemblies, Four Station Fryer	1	
5	1081554	Control Panel Assemblies, Five Station Fryer	1	
6	1064535	Control Panel Assemblies, Applebee's® Control Panel	1	
7	2106812	Flue Caps, PMJ 45, Single Station Fryer	1	
8	1064012	Flue Caps, PMJ 45, Two Station Fryer	1	
9	1064013	Flue Caps, PMJ 45, Three Station Fryer	1	
10	1064014	Flue Caps, PMJ 45, Four Station Fryer	1	
11	1064015	Flue Caps, PMJ 45, Five Station Fryer	1	
12	2106811	Flue Caps, PMJ 35, Single Station Fryer	1	
13	1064008	Flue Caps, PMJ 35, Two Station Fryer	1	
14	1064009	Flue Caps, PMJ 35, Three Station Fryer	1	
15	1064010	Flue Caps, PMJ 35, Four Station Fryer	1	
16	1064011	Flue Caps, PMJ 35, Five Station Fryer	1	
17	1064184	Burger King/Checkers, Two Station Fryer	1	
17a	1064188	Burger King/Checkers, Two Station Fryer (with buttons)	1	
18	1064185	Burger King/Checkers, Three Station Fryer	1	
18a	1064189	Burger King/Checkers, Three Station Fryer (with buttons)	1	
19	1064186	Burger King/Checkers, Four Station Fryer	1	
19a	1064190	Burger King/Checkers, Four Station Fryer (with buttons)	1	
20	1064187	Burger King/Checkers, Five Station Fryer	1	
20a	1064191	Burger King/Checkers, Five Station Fryer (with buttons)	1	
21	8241440	Applebee's® Dump Station Flue Cap	1	
22	9103557	Fryer's Friend 27"	1	
22a	9103207	Deflector, Flue, 3 holes	1	
23	9003933	Heat Shield, Flue	1	
24	8261017	Screw Kit, Flue Deflector	1	
25	9004253	Strip, Fluecap Retainer	1	
26	2006584	Support, Flue Cap	1	
27	2200810	Flue Guard, Panda Express	1	
28	8241409	Top Cap, Single Station Fryer	1	
29	8241410	Top Cap, Two Station Fryer	1	
30	8234940	Top Cap, Three Station Fryer	1	
31	8234941	Top Cap, Four Station Fryer	1	
32	8234942	Top Cap, Five Station Fryer	1	
33	8234990	Top Cap, Applebee's® Top Cap	1	
34	1064050	Control Panel Assembly with Thermostat Access Door (MJ 35), Complete, with Toggle Switch	1	
35	1064049	Control Panel Assembly with Thermostat Access Door (MJ 35), Complete, without Toggle Switch	1	
36	1064386SP	Toggle Switch	1	
37	8241394	Thermostat Access Door (MJ 35), Switch Guard	1	
38	2106930	Thermostat Access Door (MJ 35), Door Panel	1	
39	2108289	Thermostat Access Door (MJ 35), Frame, with Toggle	1	
40	2106832	Thermostat Access Door (MJ 35), Frame, without Toggle	1	

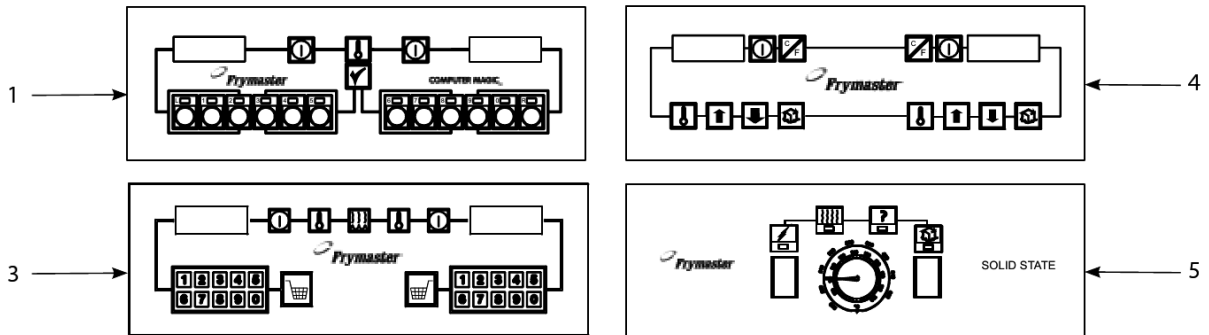
Control Panel Assemblies, Flue Caps, and Related Items

#	PART #	DESCRIPTION	QTY	Note
41	1064235SP	Control Panel, MV with Mechanical Timer	1	[1]
42	2107026	Controller Bezel, Blank Bezel, 2-vat unit	1	[1]
43	2106946	Control Panel, with toggle switch holes	1	[2]
44	2108686	Control Panel, without toggle switch holes	1	[2]
45	8262626	Carl's Jr. Risers, Flue Cap, Single	1	
46	8262627	Carl's Jr. Risers, Flue Cap, 2-vat	1	
47	8262628	Carl's Jr. Risers, Flue Cap, 3-vat	1	
48	8262629	Carl's Jr. Risers, Flue Cap, 4-vat	1	
49	8090171PK	Thumbscrew	1	
50	8261351	Nut Retainer, 0.25-20 Std. Fluecap	1	[3]

PART NOTES:

- [1] - FPP
- [2] - PMJ
- [3] - for use on standard fluecap

Controller Assemblies



Controller Assemblies

#	PART #	DESCRIPTION	QTY	Note
1	8232327	Computer Magic III.5, Full-vat	1	
1a	8262328	Computer Magic III.5, Full-vat (CE)	1	
1b	8262390	Computer Magic III.5, Dual-vat	1	
1c	8262391	Computer Magic III.5, Dual-vat (CE)	1	
1d	1067248	Computer Magic III.5, On-hood Remote Computer (FV, MJ 45)	1	
1e	8262280	Computer Magic III.5, In-hood Remote Computer (FV, MJ 45)	1	
2	8262327	Computer	1	
2a	8074642	Buffalo Wild Wings® Computer, Red (overlay)	1	
2b	8074644	Buffalo Wild Wings® Computer, White (overlay)	1	
2c	8074643	Buffalo Wild Wings® Computer, Violet (overlay)	1	
3	8262393	Basket Lift Timer, Full-vat	1	
3a	1064172	Basket Lift Timer, Full-vat (CE)	1	
3b	1064171	Basket Lift Timer, Dual-vat	1	
3c	1064173	Basket Lift Timer, Dual-vat (CE)	1	
4	8262394	Digital Controller, Full-vat	1	
4a	1064176	Digital Controller, Full-vat (CE)	1	
5	1063375	Solid State (Analog Controller), Dual-vat	1	
5a	1063369	Solid State (Analog Controller), Full-vat	1	
5b	8070847	Solid State (Analog Controller), Full-vat (overlay)	1	
5c	8100387	Knob	1	
6	2105046	Bezel - One-Controller	1	
6a	2307091	Controller Bezel, Computer, Single Station Tab Mount (for Screw Mount 09/08)	1	
6b	2105819	Bezel - Two-Controller	1	
6c	2307092	Controller Bezel, Computer, Two Station Tab Mount (for Screw Mount 09/08)	1	
6d	2106698	Bezel, Three-Controller	1	
6e	2307093	Controller Bezel, Computer, Three Station Tab Mount (for Screw Mount 09/08)	1	
7	2106960	Controller Bezel, No Computer, Single Station Fryer	1	
7a	2106961	Controller Bezel, No Computer, Two Station Fryer	1	
7b	2106962	Controller Bezel, No Computer, Three Station Fryer	1	
7c	2106766	Controller Bezel, No Computer, Applebee's® Spreader	1	
8	2107002	Controller Bezel, Blank Bezel, Single	1	
8a	2108578	Controller Bezel, Blank Bezel, Single (Applebee's® spreader)	1	
8b	2107026	Controller Bezel, Blank Bezel, 2-vat unit	1	
9	8063660	Sound Device, High Output for M100B	1	
9a	8103141	Sound Device, Universal SMT	1	
10	8064797	Buzzer	1	
11	8062071	Cable, Computer/Controller to Interface Board	1	
11a	8074199	Cable, 20-pin Controller to 15-pin Interface Board – SMT for fryer's with CM 3.5 controller.	1	
11b	8074397	Controller Harness, SMT	1	
12	8062079SP	Wiring Harness, Basket Lift Motor (6-pin female w/7 wires)	1	
13	8068555SP	Wire Assemblies**, For 202-250V Modular Basket Lift w/6-Pin Connector	1	
14	1061822SP	Wire Bundle - 100-120V Modular Basket Lift	1	

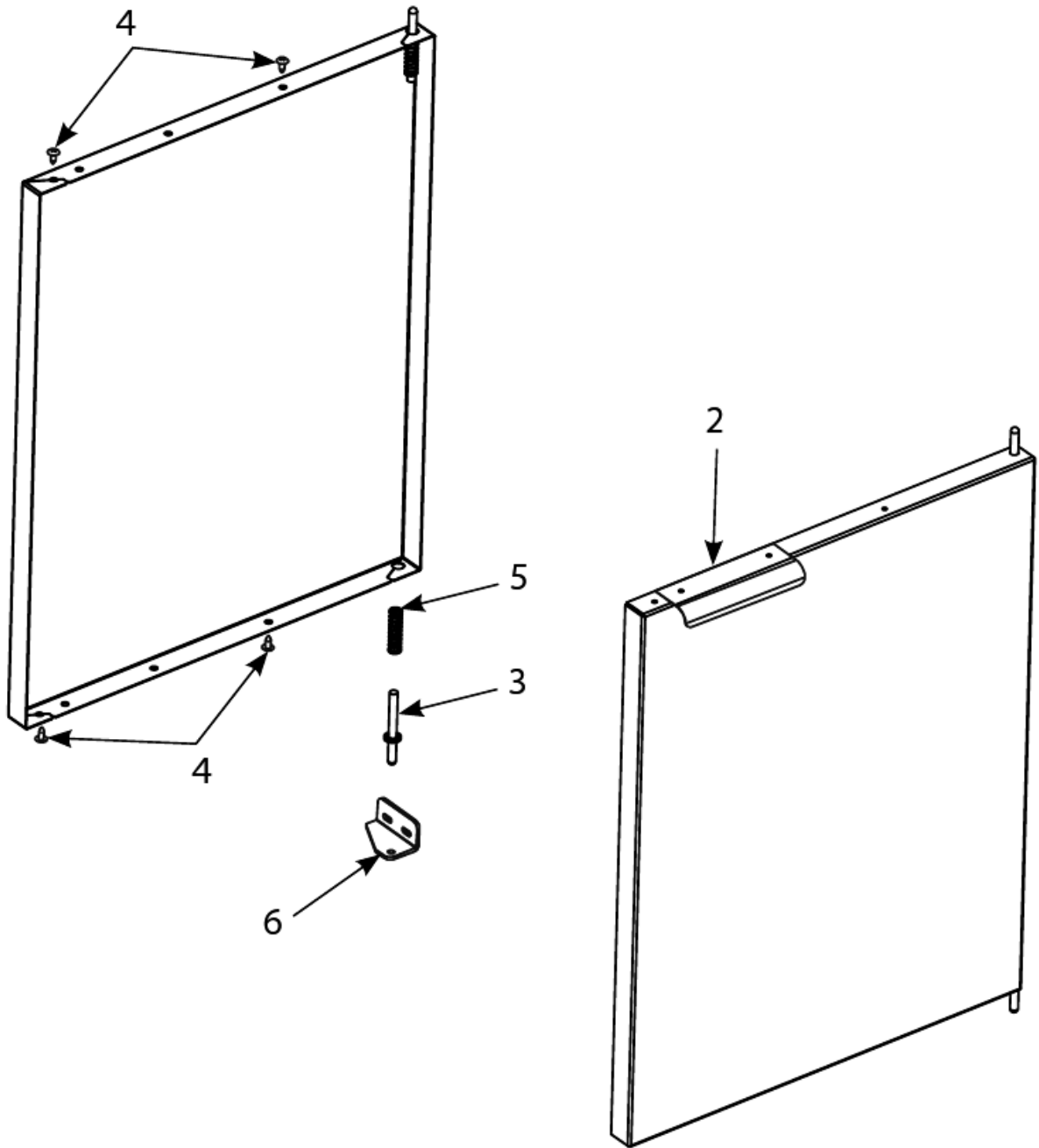
Controller Assemblies

#	PART #	DESCRIPTION	QTY	Note
15	1061804SP	Wire Bundle - 208-250V Modular Basket Lift	1	
16	8064798SP	Basket Lift Power, Non-CE (6-pin male w/6 wires; connects to 8062079SP or 8068555SP)	1	
17	8066708SP	Basket Lift Power, CE (6-pin male plus 8064798)	1	
18	8073699	Basket Lift Power, Non-CE/CE68"	1	[1]
19	8069777SP	Thermostat Control Universal (control panel-end connections)	1	
20	8069778SP	Thermostat Control Universal (component shield-end connections)	1	
21	8069779SP	Basket Lift Universal (control panel-end connections)	1	
22	8069780SP	Basket Lift Universal (basket lift-end connections)	1	
23	8069781SP	Wiring Bundle, Component Shield to Controller and Fryer Components (21-wire bundle)	1	
24	8261560	Kit, 45 Series Wiring	1	[2]
25	8063549SP	Interface Board	1	[3]
26	8066705SP	CE Non-Direct Wiring Power Supply	1	[4]
27	8064214SP	Fryer to Fryer Drain Safety Switch (2-pin male w/two wires and 2-pin female w/two wires)	1	
28	8064215SP	Fryer to Filter Drain Safety Switch (2-pin male w/two wires and 2-pin female w/two wires)	1	
29	8062071	Cable, Computer/Controller to Interface Board	1	
30	8063383	Remote Computer/Controller to Interface Board Cable, 15.0 feet (4.6m)	1	
31	8063388	Harness, Main 20' Remote N Pot 15-pin Computer to Interface Board	1	
32	8064318	Remote Computer/Controller to Interface Board Cable, 30.0 feet (9.1m)	1	
33	8063528	Harness, Main 7.5' BK 15-pin Computer to Interface Board	1	
34	8063529	Remote Computer/Controller Cable Assemblies, 8.5 feet (2.6m)	1	
35	8063530	Remote Computer/Controller Cable Assemblies, 10.5 feet (3.2m)	1	
36	8063531	Remote Computer/Controller Cable Assemblies, 12.6 feet (3.8m)	1	
37	8068350	Remote Computer/Controller Cable Assemblies w/Junction Box and Mounting Bracket, One Computer/Controller	1	
38	8068349	Remote Computer/Controller Cable Assemblies w/Junction Box and Mounting Bracket, Two Computers/Controllers	1	
39	8068348	Remote Computer/Controller Cable Assemblies w/Junction Box and Mounting Bracket, Three Computers/Controllers	1	
40	8068351	Remote Computer/Controller Cable Assemblies w/Junction Box and Mounting Bracket, Four Computers/Controllers	1	

PART NOTES:

- [1] - 12-pin male w/6 wires, connects to 1061822SP or 1061804SP
- [2] - contains 8069777SP through 8069781SP
- [3] - interface board to fryer components; 12-pin male w/5 wires
- [4] - power cords joined in junction box

Door Assembly



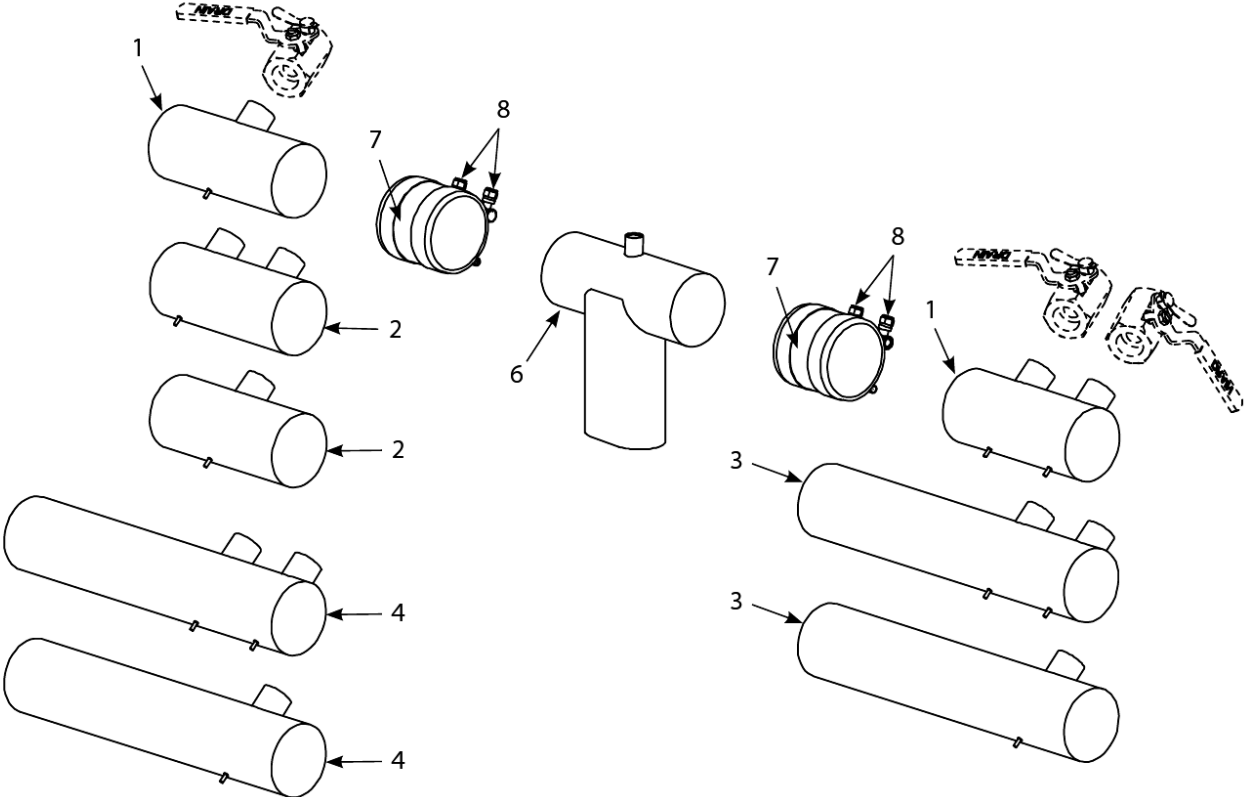
Door Assembly

#	PART #	DESCRIPTION	QTY	Note
1	1063965	Door Assembly	1	
2	2304960	Handle, Eurolook Door	1	
3	2106739	Pin, Door Hinge	1	
4	8090266	Screw, 10 x 0.5-inch Phillips Head ZP	1	
5	8261343	Spring - Door Pin Hinge	1	
6	2324707	Hinge, Lower, Right	1	
6a	2314707	Hinge, Lower, Left	1	
7	8102346	Door Magnet - Horizontal	1	[1]
8	1063931	Door, Applebee's® Filter/Dump Station	1	

PART NOTES:

[1] - white

Drain System Components - Drain Tube System



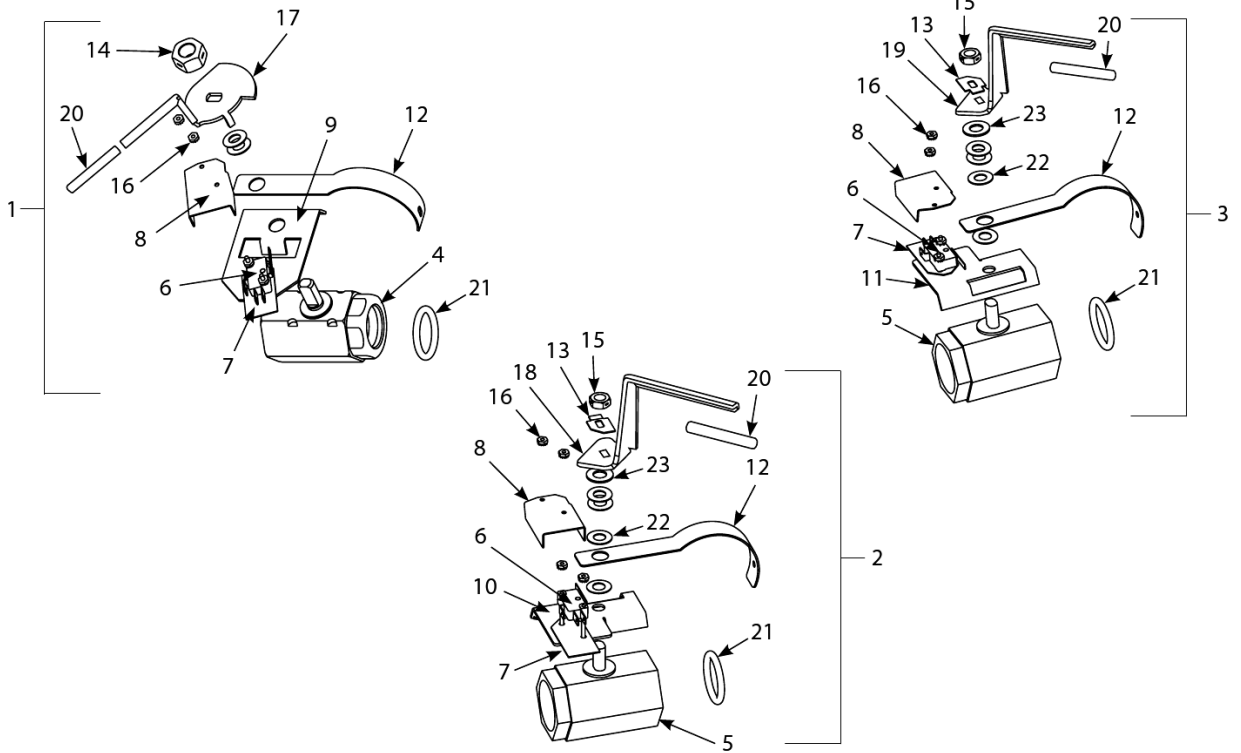
Drain System Components - Drain Tube System

#	PART #	DESCRIPTION	QTY	Note
1	8234625	Drain Tube, Short Full-Vat Left Open/Right End Closed	1	
1a	8234624	Drain Tube, Left/Right End Short, Dual-Vat 3"	1	
2	8234643	Drain Tube, Full-Vat, Short, Open Both Ends	1	
2a	8234642	Drain Tube, Left/Right Open Short, Dual-Vat 3"	1	
3	8234639	Drain Tube, Long Full-Vat Left Open/Right End Closed	1	
3a	8234638	Drain Tube, Right End Long, Dual-Vat 3"	1	
4	8234641	Drain Tube, Long Full-Vat Open Both Ends	1	
4a	8234640	Drain Tube, Left/Right Open Long, Dual-Vat 3"	1	
5	2006473	Drain Tubes, Spreader, Open Long	1	
5a	2006474	Drain Tubes, Spreader, Open Short	1	
6	8234740	Drain Outlet, Both Ends Open	1	
6a	8234741	Drain Outlet, One End Closed	1	
7	8160729	Sleeve, Drain Connector	1	
8	8090969	Clamp 3"	1	
9	8072484	Solenoid Valve - 0.25"	1	
10	8110932	Vent Tube, Teflon 0.375" OD Bulk	1	
11	8103904	Quick Connect - 0.25" x 90°	1	
12	8111071	Tube, 0.25-inch OD Teflon Manifold Vent	1	
13	8102493	Elbow, 90° 0.125-inch NPT x 0.25-inch Quick Connect	1	
14	8102492	Fitting, Quick-Connect Straight	1	
15	8160630	Cap, Vinyl Black	1	
16	8090047	Nut, Cap- 0.25-20 High Profile S/S	1	
17	KIT6214	Round Drain Boot Kit	1	[1]

PART NOTES:

[1] - includes 2 clamps and 1 boot

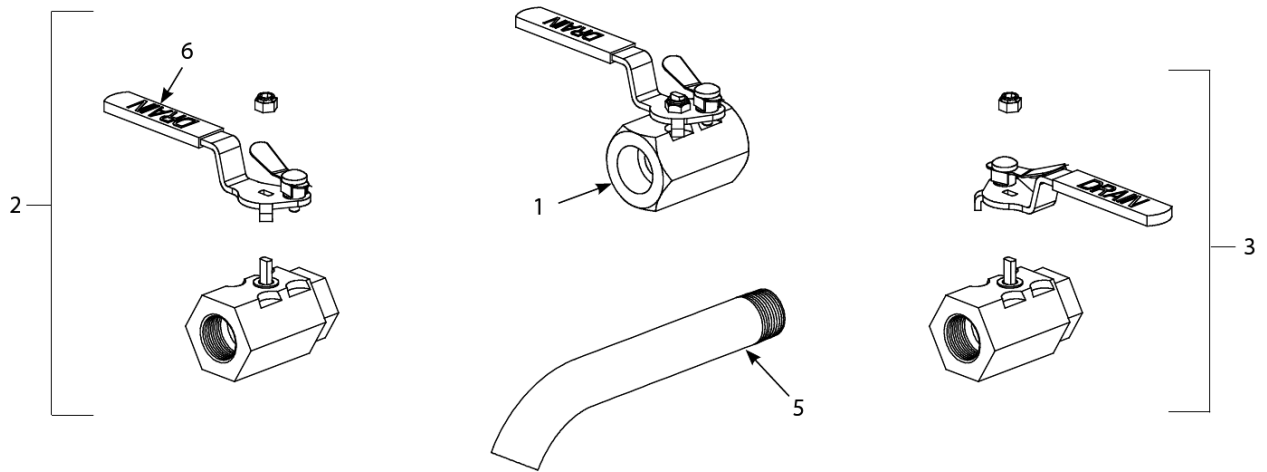
Drain System Components - Drain Valves, FPPFMP Models



Drain System Components - Drain Valves, FPPFMP Models

#	PART #	DESCRIPTION	QTY	Note
1	1063760	Drain Valve Assemblies, Full-vat	1	
2	1068104SP	Drain Valve Assemblies, Dual-vat, Left	1	
3	1086185SP	Drain Valve Assemblies, Dual-vat, Right	1	
4	8101018	Drain Valve, 1.25", Left Drain Valves, Full-vat, 1.25-inch Drain Valve	1	
5	8101114	Drain Valves, Dual-vat, 1-inch Drain Valve	1	
6	8072103	Microswitch Drain Safety Switch, Microswitch	1	
7	8160220	Insulation, Microswitch Drain Safety Switch, Insulation	1	
8	9012348	Cover, Dual-Vat Left Drain Safety Switch Drain Safety Switch, Cover	1	
9	8068137	Bracket Assembly, Full-Vat Drain Safety Switch Drain Safety Switch, Bracket, Full-vat	1	
10	1062671	Bracket Assembly, Dual-Vat Left Drain Safety Switch Drain Safety Switch, Bracket, Dual-vat, Left	1	
11	1062672	Bracket Assembly, Dual-Vat Right Drain Safety Switch Drain Safety Switch, Bracket, Dual-vat, Right	1	
12	2006496	Support, Drain Tube	1	
13	9002936	Retainer Nut (FV)	1	
13a	9002934	Retainer, Dual-Vat Drain Valve Nut Retainer Nut (DV)	1	
14	8090540	Nut, Lock 0.5-inch-13 Hex 2-Way ZPNut, 2-way Lock (FV)	1	
15	8090539	Nut, 0.375-16 2-Way Lock Nut, 2-way Lock (DV)	1	
16	8260237	25Nut, 4-40 Keps Hex with External Tooth	25	
17	8241602	Handle, Valve, Full-vat	1	
18	8241637	Handle, Valve, Dual-vat, Left	1	
19	8241636	Handle, Valve, Dual-vat, Right	1	
20	8160639	Cap, Vinyl Red Sleeve, Handle	1	
21	8160135	O-ring	1	
22	8101165	Washer, Teflon Drain Valve Washer, Teflon	1	
23	8090196	Washer, 0.375-inch SAE Flat Washer, Flat	1	

Drain System Components - Drain Valves, PMJ Models



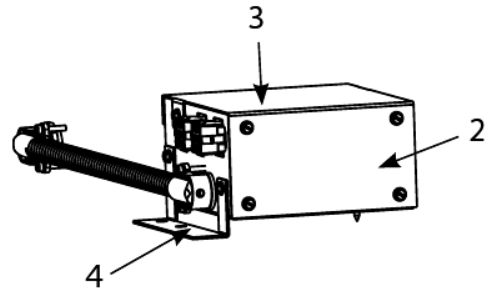
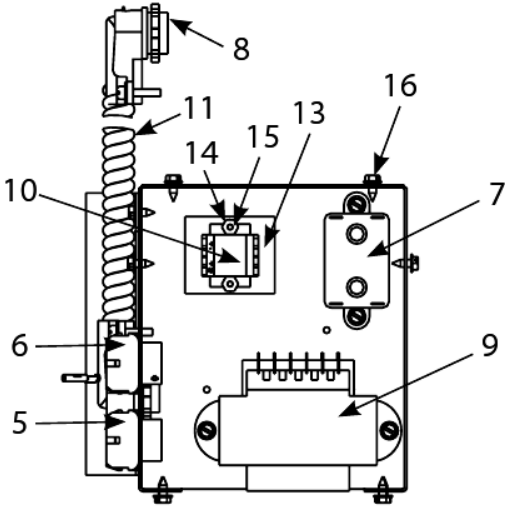
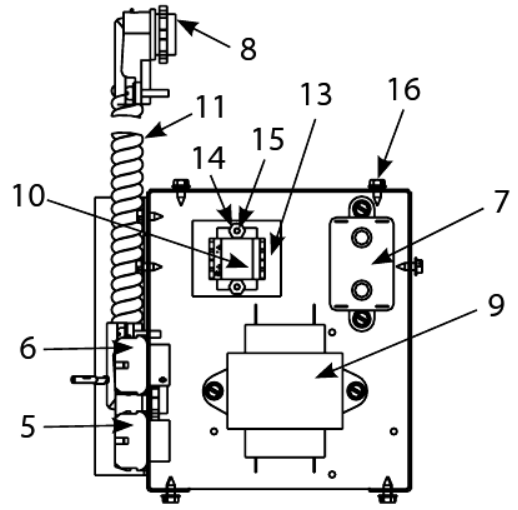
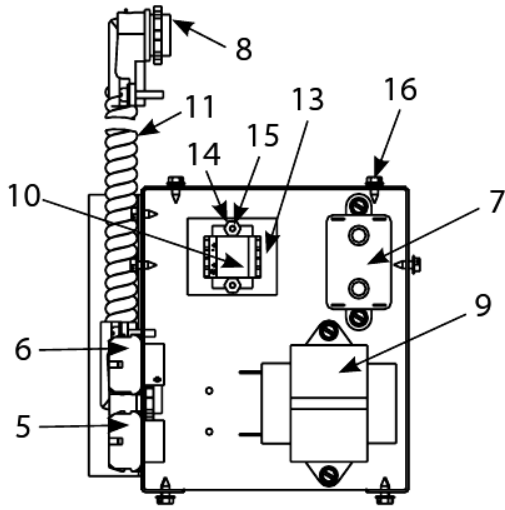
Drain System Components - Drain Valves, PMJ Models

#	PART #	DESCRIPTION	QTY	Note
1	8101569	Valve, 1.25-inch, Non-filter, Full-vat Drain Valve, 1.25-inch, Non-filter, Full-vat Drain	1	[1]
2	8067915SP	Valve, 1-inch, Non-filter, Dual-vat, Left Drain Valve, 1-inch, Non-filter, Dual-vat, Left Drain	1	
3	8067916SP	Valve, 1-inch, Non-filter, Dual-vat, Right Drain Valve, 1-inch, Non-filter, Dual-vat, Right Drain	1	
3a	8101338	Valve, 1-inch, Universal Ball Valve, 1-inch, Universal Ball	1	
4	8069062	Handle, Left Handle, Left	1	
4a	8069064	Handle, Right Handle, Right	1	
5	8130188	Drain Nipple, Extended Drain Extension, 1.25-inch, Full-vat	1	
5a	8130276	Drain Extension, 1-inch, Dual-vat Drain Extension, 1-inch, Dual-vat	1	
6	8101427	Handle, Drain Valve Handle, Drain Valve	1	
7	8101568	Handle, Drain Valve Handle, Drain Valve	1	
8	8160211	Sleeve, Handle Sleeve, Handle	1	

PART NOTES:

[1] - with handle

Filter Boxes



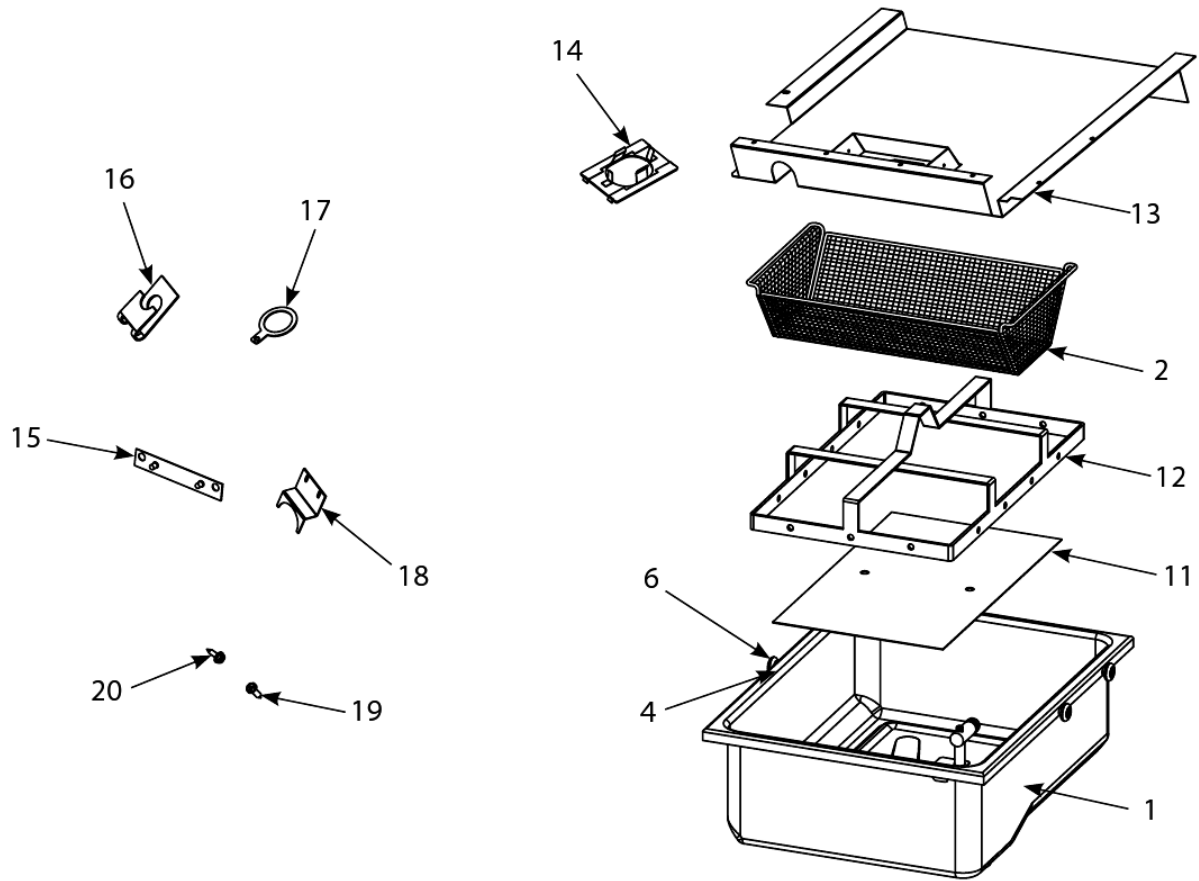
Filter Boxes

#	PART #	DESCRIPTION	QTY	Note
1	1063981	Complete Box Assemblies, 120V	1	
1a	1063988	Complete Box Assemblies, 208-250V	1	
1b	1063989	Complete Box Assemblies, 208-240V	1	
2	2006836	Components, Filter Box	1	
3	2006837	Components, Lid	1	
4	2006838	Components, Mount	1	
5	8067494	Plug Assembly, FPIII Non-Reversing	1	
5a	8101421	Harness, Control Circuit	1	[1]
6	8068021	Plug Assembly, Filter Box	1	
7	8070012	Filter Relay - 18A 24VAC	1	
8	8070141	Components, Connector, 0.375" Right Angle	1	
9	8070800	Transformer, 100-120V/24V 50VA Filter and MIB	1	
9a	8070680	Transformer, 208V, 50/60Hz -24V 20VA	1	
9b	8075129	Transformer - Dual Voltage 208-240V	1	
10	8101164	Block, One-Piece Screwless Terminal	1	
11	8121704	Conduit, Flex 0.375" x 13.5"	1	
12	8120636	Conduit, Flex 0.375" x 15"	1	
13	8160217	Insulation, Terminal Block Paper	1	
14	8261366	Nut - #4-40 Keps Hex	25	
15	8261359	Screw - #4-40 x 0.75" Slotted Round Head	25	
16	8090360	Screw, 8 x 0.375-inch Hex Washer Slot Head	1	
17	8101421	Harness, Control Circuit	1	

PART NOTES:

[1] - to Control Circuits

Filter Pan Assembly



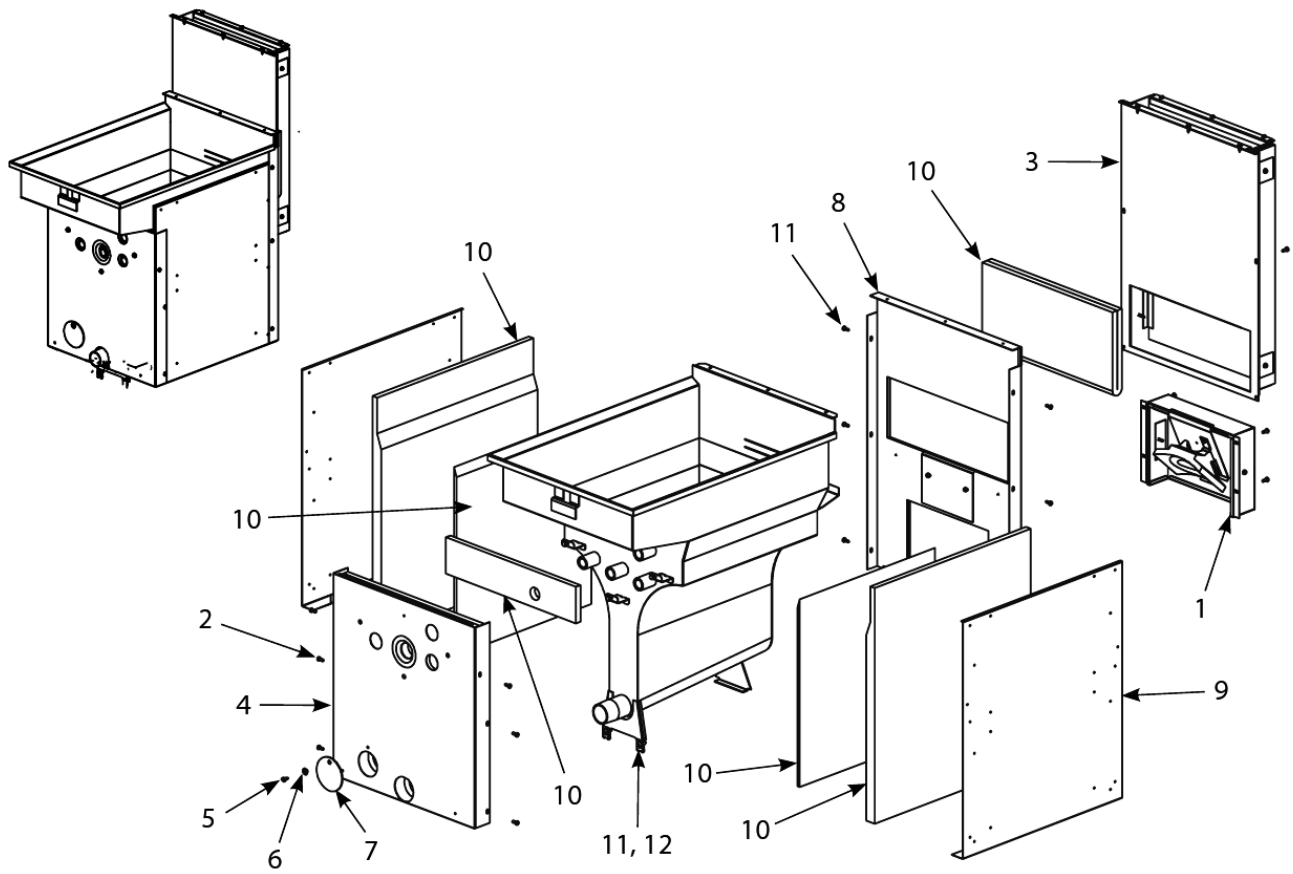
Filter Pan Assembly

#	PART #	DESCRIPTION	QTY	Note
1	8237508SP	Filter Pan No Rollers July 2008	1	
1a	1081232SP	Filter Pan With Rollers	1	
2	8103161	Crumb Tray	1	
3	8130568	Plug, 0.125" SS NPT, Sq-Head	1	
4	8261372	Nut Grip 0.25-inch 0.25-20 Hex NP	10	
5	8261392	O-Ring	1	
6	8102198	Roller, Filter Pan and Rail	1	
7	8091025	Nylon Slides	1	
8	8262603	Rail Set, Filter Pan Rail	1	
9	8261979	Filter Pan Roller Kit	1	
10	8090191	Washer, Lock 0.25 Spring ZP	1	
11	8122024	SanaGrid Filter Screen, Standard Size Filter Pan	1	
12	8103760	Ring, Hold Down	1	[1]
13	8236412	Lid, Filter Pan, FPP	1	[2]
13a	8235334	Lid, Filter Pan, FMPH	1	
14	8235294	Splash Shield	1	[2]
15	1065141	Bracket, Burner Heat Shield Mounting	1	[3]
16	8090173	Clip, Tinnerman	1	[4]
17	2009732	Lip, Suction Fitting	1	[4]
18	2009715	Brace, Drain Spout	1	[5]
19	8261371	Screw - #8 x 0.5" Hex Head ZP	25	
20	8090785	Screw - #14 x 0.75" Slotted Hex Washer Head	1	
21	2006310	Support, Rear Pan Rail	1	
22	8090743	Screw - #4-40 x 1" Pan Head SS	1	
23	8030170	Filter Paper, 16.5" x 25.75"	1	[6]
23a	8030002	Powder, Filter	1	[7]
24	8102800	Carl's Jr. Filter Leaf	1	
25	8160757	O-ring, Optional Filter Leaf	1	

PART NOTES:

- [1] - 8102910, FMP, see also Lid, Filter Pan, FPP
- [2] - included in kit 8262109, 8262110, and 8262111
- [3] - MJ35
- [4] - included in kits 8262109, 8262110, and 8262111
- [5] - included in kits 8262110 and 8262111
- [6] - box of 100 sheets
- [7] - box of 80 individual packs

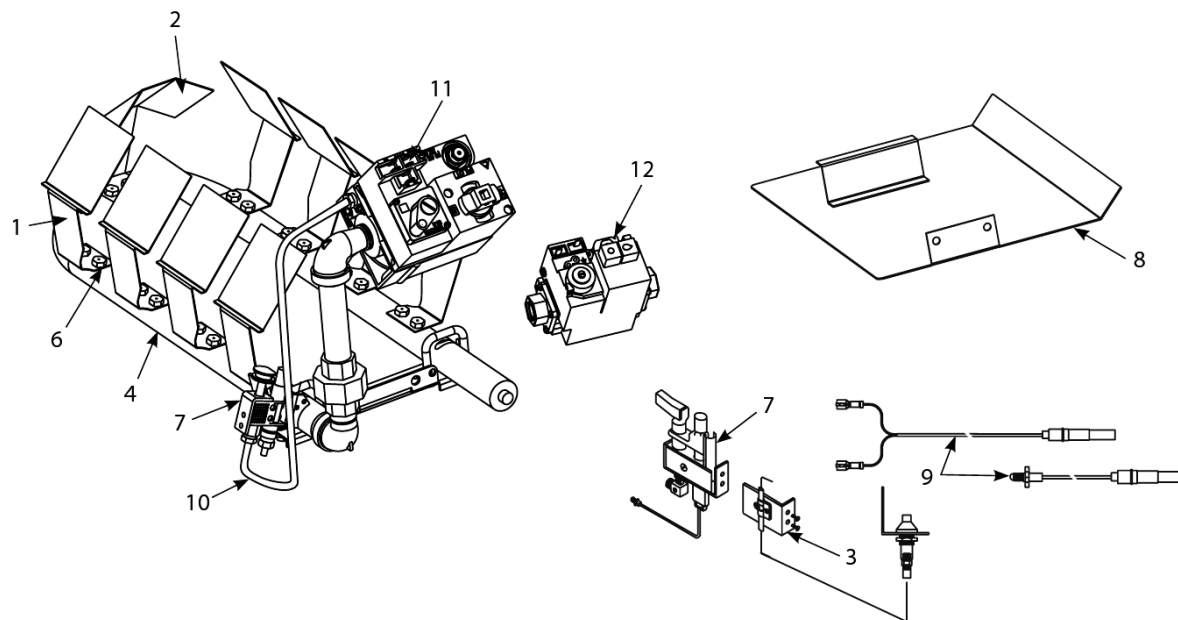
Frypot Cabinetry - PMJ45 Frypot Cabinetry



Frypot Cabinetry - PMJ45 Frypot Cabinetry

#	PART #	DESCRIPTION	QTY	Note
1	8065778SP	Box Assembly, Flue Deflector	1	
2	8261374	Screw - #10 x 0.5" Hex Head	1	
3	8065567SP	Flue Assembly with Insulation, Complete	1	
4	8061095SP	Front Baffle Assembly	1	
4a	1065874	Front Baffle Assembly (Front Flush Full-vat)	1	
4b	1065892	Front Baffle Assembly (Front Flush Dual-vat)	1	
5	8090409	Screw, #10 X 0.5-inch Round Head One-way Security	1	
6	8100647	Holder, Security Screw	1	
7	1080442	Cover with Sight-glass, Pilot Light	1	
7a	9001090	Cover, Pilot Viewport	1	
8	8065566SP	Rear Combustion Chamber Panel Assembly	1	
9	8061097	Side Combustion Chamber Panel Assembly	1	
10	8260861	Insulation kit	1	
11	8090173	Clip, Tinnerman	1	
12	8090170	Screw - #14 X 0.75" Slotted Pan Head	1	
13	2100681	Probe Guard	1	
14	8160698	Insulation, Kaowool Blanket (Front Flush)	1	
15	2200927	Air/Heat Shield, 31"	1	
15a	2200928	Air/Heat Shield, 15.5"	1	
16	8130463-FRY	Plug - 0.5" NPT	1	

Gas Valves and Burners - PMJ45 Gas Valves and Burners



RESOURCE NOTES:

A gas valve capacitor (P/N 8064781) is required on gas valves used on units with hermostat controllers.

An adapter kit (P/N 8121256SP) is required to connect the high limit thermostat to Item 12.

This style of burner heat shield is only used with the burner manifold above the filter unit. All others use 8230574.

Red dot indicates propane/butane pilot assembly; green dot indicates manufactured gas; no dot indicates natural gas.

Gas Valves and Burners - PMJ45 Gas Valves and Burners

#	PART #	DESCRIPTION	QTY	Note
1	2301177	Side Deflector	1	
2	2301206	Deflector, Rear	1	
3	8261155	Ignitor Kit, Optional Piezo	1	
4	8102710	Burner Manifold, FV	1	
4a	8102708	Burner Manifold, DV, Left Side	1	
4b	8102709	Burner Manifold, DV, Right Side	1	
5	8100691	Tube, 0.125-inch Vent	1	
5a	8101166	Vent Tube CE	1	
6	8261357	Orifice, 1.45 mm (for natural gas, 0-1999 feet/0-609 meters)	10	
6a	8261387	Orifice, 0.86 mm (for Propane gas, 0-1999 feet/0-609 meters)	10	
6b	8100407	Orifices (for high altitude and special gasses, contact Frymaster), 2.15 mm, Manufactured Gas	1	
6c	8121203	Orifices (for high altitude and special gasses, contact Frymaster), 1.00 mm, Butane Gas	1	
7	8101873	Pilot, Powerpile	1	
7a	8073485	Thermopile	1	
7b	1061909SP	Pilot Assemblies, Non-CE, Pro./But. Gas with Thermopile (Twin Spade Terminals)	1	
7c	8068688SP	Pilot Assemblies, CE and Export, Natural Gas with Thermocouple (Co-axial Lead)	1	
7d	1069570SP	Pilot Assemblies, CE and Export, Natural Gas with Thermocouple Australia (Co-axial Lead)	1	
7e	1061911	Pilot Assemblies, CE and Export, Natural Gas, Australian (Co-axial Lead)	1	
7f	8102071	Pilot Assembly Pilot Assembly, Natural	1	
7g	8068689SP	Pilot Assemblies, CE and Export, Pro./But. Gas with Thermocouple	1	[1]
7h	1069571SP	Pilot Assemblies, CE and Export, Pro./But. Gas with Thermocouple, Australia	1	[1]
7i	1061912SP	Pilot Assemblies, CE and Export, Pro./But. Gas, Australian	1	[1]
7j	8102070	Pilot Assembly (Includes bracket, hood, and thermopile), Propane Gas	1	
8	8235295	Burner Heat Shield Assemblies, Filter Burner Position, Left	1	[2]
8a	8235296	Burner Heat Shield Assemblies, Filter Burner Position, Right	1	[2]
8b	2109729	Bracket	1	
8c	8230574SP	Shield, Open Burner Heat	1	[3]
8d	9300075	Bracket	1	
8e	8262109	Burner Heat Shield Assemblies, Kit, Retrofit Filter Lid	1	[4]
8f	8262110	Burner Heat Shield Assemblies, Kit, Retrofit Filter Lid, LH Spreader	1	[5]
8g	8262111	Burner Heat Shield Assemblies, Kit, Retrofit Filter Lid, RH Spreader	1	[5]
9	8102007	Thermopile/Thermocouple, Pilot, Natural Gas, Honeywell	1	
9a	8102022	Thermopile/Thermocouple, Pilot, LP Gas, Honeywell	1	
9b	8073485	Thermopile	1	[6]
9c	8101873	Pilot, Powerpile	1	[7]
9d	8103442	Thermopile/Thermocouple, Thermocouple Assembly	1	[8]
9e	8261527	Thermopile/Thermocouple, Kit, Thermocouple with Adapter	1	[9]
9f	8101723	Thermopile/Thermocouple, Thermocouple Adapter	1	[9]
10	8100705	Gas Line, Pilot Supply - 0.25 x 20"	1	

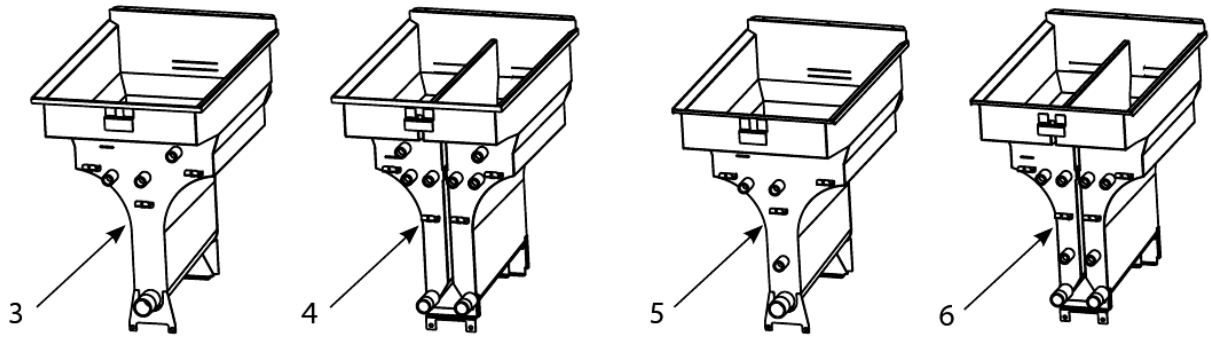
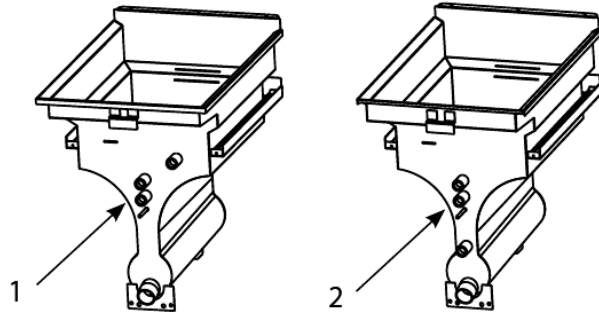
Gas Valves and Burners - PMJ45 Gas Valves and Burners

#	PART #	DESCRIPTION	QTY	Note
10a	8120278	Tube, Pilot Gas	1	[10]
11	8071603	Valve, Honeywell Millivolt Gas, Natural	1	
11a	8074137	Gas Valves, Non-CE (see Note 1 below), mV Natural, Australia	1	
11b	8071604	Valve, Honeywell Millivolt Gas, Propane	1	
11c	8073294	Gas Valves, Non-CE (see Note 1 below), 24V Natural Gas	1	
11d	8070025	Gas Valves, Non-CE (see Note 1 below), 24V Natural Gas (for 240V)	1	
11e	8073295	Gas Valves, Non-CE (see Note 1 below), 24V Propane Gas	1	
11f	8070759	Gas Valves, Non-CE (see Note 1 below), 24V Propane Gas (for 240V)	1	
11g	8100786	Gas Valves, Non-CE (see Note 1 below), E. I. Natural	1	
11h	8100787	Gas Valves, Non-CE (see Note 1 below), E. I. Propane	1	
12	8066710	Gas Valves, CE, 24V Natural Gas (see Note 2 below)	1	
12a	8066711	Gas Valves, CE, 24V Propane Gas	1	[11]
12b	8067101	Gas Valves, CE, mV Natural Gas	1	
12c	8067102	Gas Valves, CE, mV Propane Gas	1	
13	8065895	Mount Assembly (Ignitor, Electrode/Flame Sensor, Mount Plate), Natural Gas, Right	1	
13a	8065896	Mount Assembly (Ignitor, Electrode/Flame Sensor, Mount Plate), Natural Gas, Left	1	
13b	8065897	Mount Assembly (Ignitor, Electrode/Flame Sensor, Mount Plate), Pro./But. Gas, Right	1	
13c	8065894	Mount Assembly (Ignitor, Electrode/Flame Sensor, Mount Plate), Pro./But. Gas, Left	1	
14	8064781	Capacitor	1	
15	8101183	Tee, 0.25" Brass Compression	1	
16	8262554	Millivolt Switch	1	
17	2008464	Bracket, Gas Line/Manifold Support	1	
18	8261143	Conversion Kit, Natural to Propane	1	
18a	8261144	Conversion Kit, Propane to Natural	1	
18b	8261200	Gas Valve Conversion Kits, CE Natural to Propane	1	
18c	8261201	Gas Valve Conversion Kits, CE Propane to Natural	1	

PART NOTES:

- [1] - (Co-axial Lead)
- [2] - (includes item 8b)
- [3] - (includes item 8d)
- [4] - (includes items 8 and 8a)
- [5] - (includes item 8)
- [6] - (for use with items 9 & 9a)
- [7] - (Non-CE Pilot Assemblies)
- [8] - (CE)
- [9] - (CE Pilot Assemblies)
- [10] - Use with Hong Kong export units only
- [11] - see Note 2 below

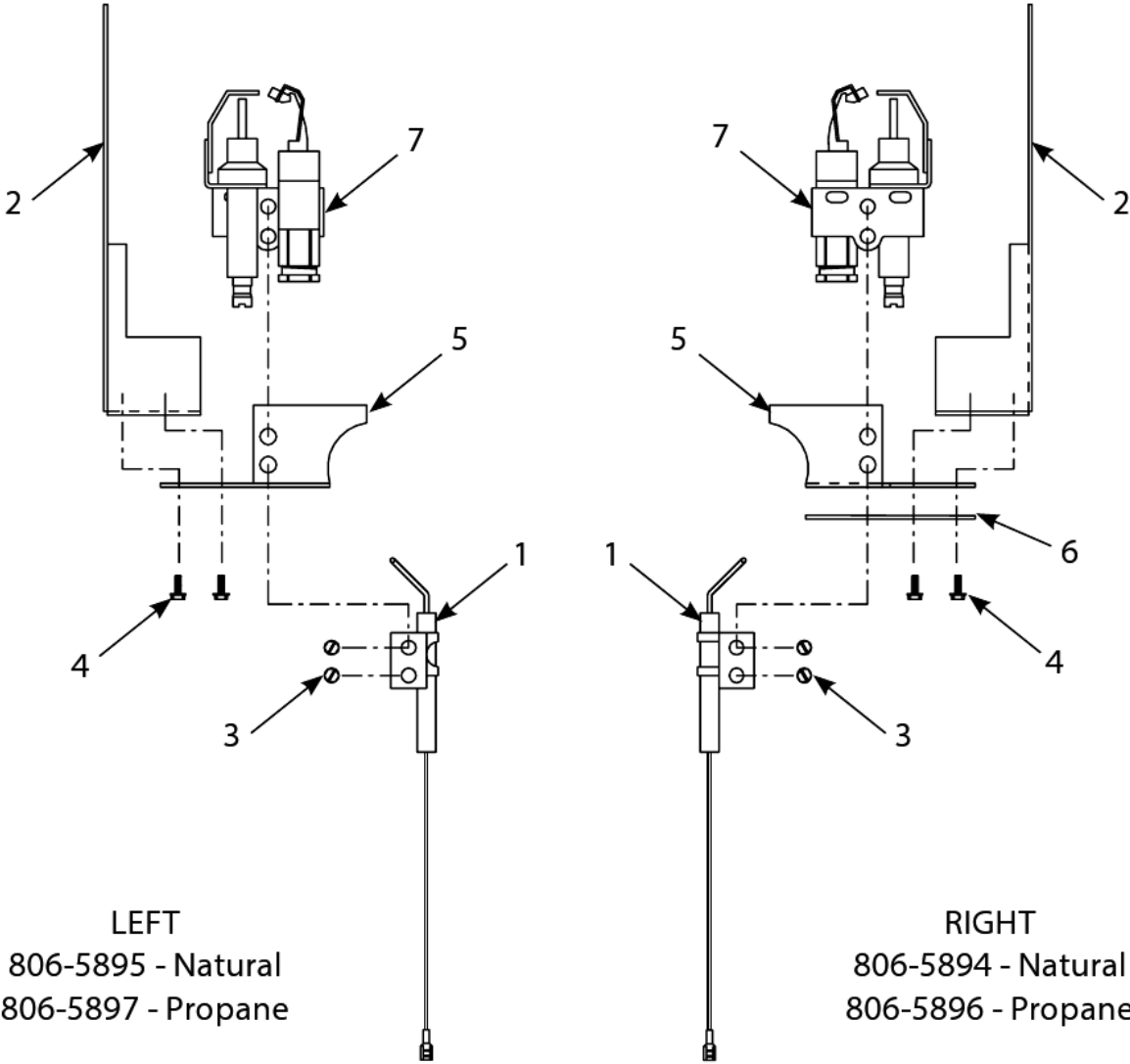
Frypots



Frypots

#	PART #	DESCRIPTION	QTY	Note
1	1064115SP	PMJ 35, Full-vat, Stainless Steel, (Power Shower)	1	
1a	1069776SP	Frypot - Full-vat, Stainless Steel, Single Non-filter For XMJ135V	1	
1b	8234492SP	PMJ 35, Full-vat, Stainless Steel (Pre-Pro MJ35)	1	
2	1068362SP	PMJ 35, Full-vat, Stainless Steel (Front Flush) Service Part	1	
2a	1067671SP	PMJ 35, Full-vat, Stainless Steel (Power Shower) Export	1	
2b	1069727SP	PMJ 35, Full-vat, Stainless Steel (PMJ) Non-Filter Service Part	1	
2c	1068363SP	PMJ 35, Full-vat, Stainless Steel (Domestic, Power Shower) Service Part	1	
3	1062547SP	PMJ 45, Full-vat, Stainless Steel (Power Shower) Service Part FP47 only	1	
4	1067740SP	PMJ 45, Dual-vat, Stainless Steel (CE)	1	
5	1065868SP	PMJ 45, Full-vat, Stainless Steel (Front Flush) Service Part FPP45	1	
6	1065869	PMJ 45, Dual-vat, Stainless Steel (Front Flush)	1	
7	1067681SP	PMJ 45, Full-vat, Stainless Steel (Power Shower) Service Part FPP45	1	
8	1067740SP	PMJ 45, Dual-vat, Stainless Steel (CE)	1	

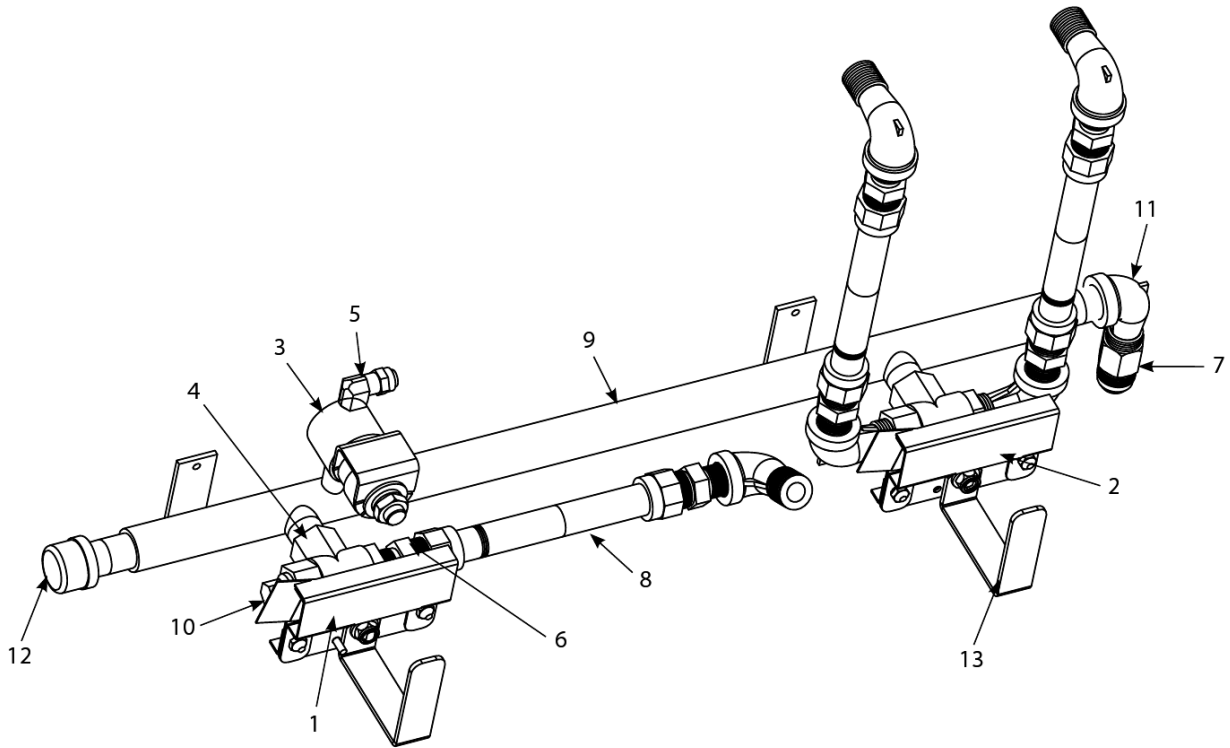
Ignitors



Ignitors

#	PART #	DESCRIPTION	QTY	Note
1	8071928	Flame Sensor Electrode	1	
2	9102077	Pilot Mount	1	
3	8090121	Screw, 10-32 x 0.5" Hex Head	1	
4	8090500	Screw, 10 x 0.5-inch Hex Washer Head 410 SS	1	
5	9102078	Plate, Pilot, Left	1	
5a	9102079	Plate, Pilot, Right	1	
6	9102080	Heat Shield	1	
7	8071707	Ignitor, Natural	1	
7a	8071708	Ignitor, Propane	1	

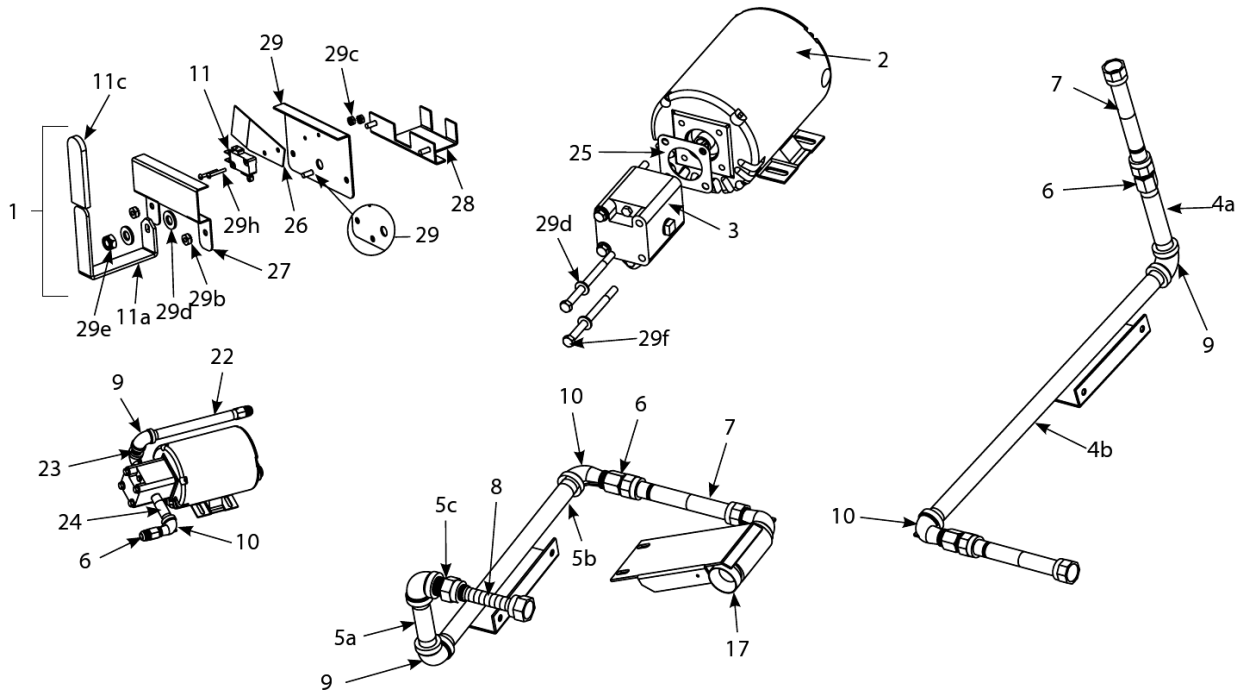
Oil Return Assembly



Oil Return Assembly

#	PART #	DESCRIPTION	QTY	Note
1	1064002	Valve Assembly, Full-vat	1	
2	1064003	Valve Assembly, Dual-vat	1	
3	8072484	Solenoid Valve - 0.25"	1	
4	8101003	Valve, 180° 3-way Ball	1	
5	8103904	Quick Connect - 0.25" x 90°	1	
6	8101668	Male Adaptor - 0.625" OD x 0.5"	1	
7	8101669	Female Adaptor - 0.875" OD x 0.5"	1	
8	8101680	Flexline - 0.625" OD x 6.5" L	1	
9	8102791	Manifold, Oil Return	1	
10	8130463-FRY	Plug - 0.5" NPT	1	
11	8130165	Elbow - 0.5" x 90° NPT Street	1	
12	8130469	Cap, 0.5-inch NPT Pipe	1	
13	8160644	Oil Return Handle, Grip	1	

Oil Return Components



Oil Return Components

#	PART #	DESCRIPTION	QTY	Note
1	1064002SP	Handle Assemblies, Oil Return Valve, FV Oil Return Assembly, MJ45	1	
1a	1064003SP	Handle Assemblies, Oil Return Valve, DV Oil Return Assembly, MJ45	1	
1b	1069265SP	Handle Assemblies, Oil Return Valve, FV Oil Return Assembly, MJ 35	1	
2	8261712	Motor and Gasket Kit - 115V/50-60 Hz	1	
2a	8261756	Motor and Gasket Kit - 208V/50-60 Hz	1	
2b	8261270	Motor and Gasket Kit - 220-240V/50-60 Hz	1	
2c	8261755	Motor and Gasket Kit - 250V/50-60 Hz	1	
3	8261264	Pump Kit - 4 GPM	1	
4	1063987	Filter Return Manifold	1	[1]
4a	8130251	Nipple, 0.5" x 4.5" NPT BM Pipe	1	
4b	8234739	Filter Return Manifold, Bracket, Suction Nipple	1	
5	1063986	Filter Suction Manifold	1	[1]
5a	8130247	Nipple, 0.5 x 3.5" NPT BM	1	
5b	8234737	Filter Suction Manifold, Bracket, Suction Nipple	1	
5c	8101668	Male Adaptor - 0.625" OD x 0.5"	1	
5d	8101339	Filter Suction Manifold, Flexline, 4.5"	1	
6	8101669	Female Adaptor - 0.875" OD x 0.5"	1	
7	8101680	Flexline - 0.625" OD x 6.5" L	1	
8	8101160	Flexline - Oil Return - 3" L	1	
9	8130062	Elbow - 0.5" BM x 90°	1	
10	8130165	Elbow - 0.5" x 90° NPT Street	1	
11	8072104	Microswitch	1	[2]
11a	2009065	Oil Return Handle, Handle (MJ45)	1	[2]
11b	2009065	Oil Return Handle, Handle (MJ45)	1	[2]
11c	8160644	Oil Return Handle, Grip	1	[2]
12	8110746-FRY	Aluminum Tape – 50 yard roll	1	[3]
13	8110861	Foam Insulation – by the foot	1	[4]
14	8071472	Heater Tape 120V 40w 56"	1	[5]
15	8071473	Heater Strip Assembly, 240V, 70W 56"	1	[6]
16	8068065	Heater Tape, 100V, 25W, 18"	1	
16a	8065933	Heater Tape, 120V, 25W, 18"	1	
16b	8069245	Heater Tape, 120V, 25W, 36"	1	
16c	8066731	Heater Tape, 120V, 40W, 56"	1	
16d	8071098	Heater Strip Assembly, 240V, 25W 18"	1	
16e	1065768	Heater Tape, 250V, 25W, 18"	1	
16f	1065849	Heater Tape, 250V, 45W, 36"	1	
16g	8066733	Heater Tape, 250V, 70W, 56"	1	
16h	1065011	Heater Tape, Extension Harness	1	
16i	8262100	Heater Tape, Kit, Retrofit 120V Heater	1	
17	8236486	Connector, Female Suction	1	
18	8130463-FRY	Plug - 0.5" NPT	1	
19	8101003	Valve, 180° 3-way Ball	1	
20	8072484	Solenoid Valve - 0.25"	1	
21	8110932	Vent Tube, Teflon 0.375" OD Bulk	1	

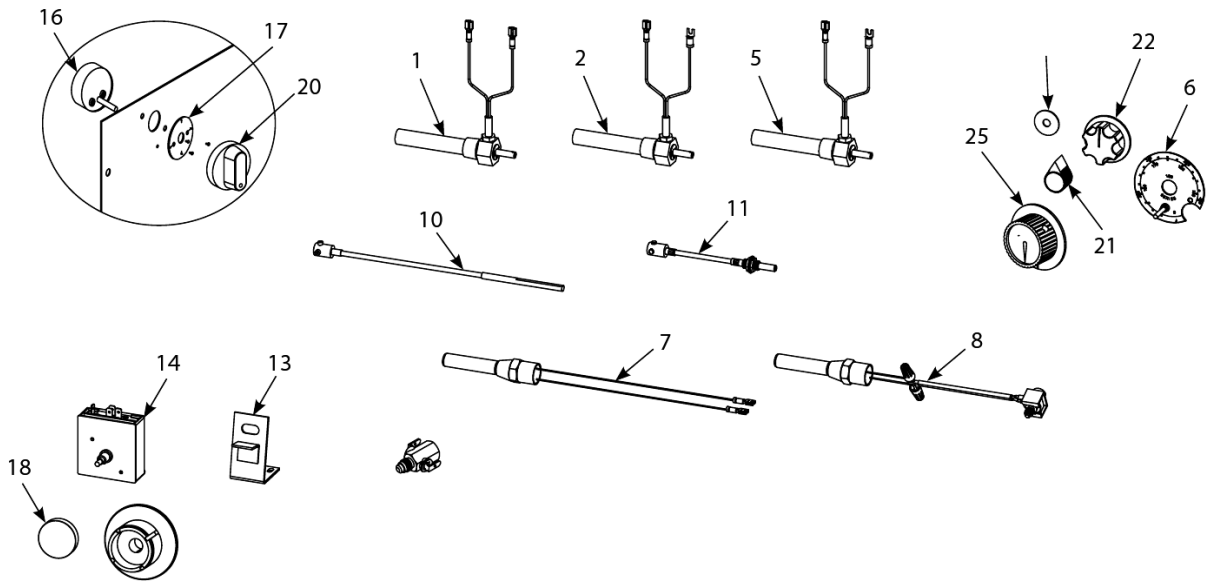
Oil Return Components

#	PART #	DESCRIPTION	QTY	Note
22	8130275	Nipple, 0.5-inch x 9-inch	1	
23	8130087	Nipple, 0.5-inch NPT x 1.5-inch (3.8 cm)	1	
24	8130460	Nipple, 0.5-inch X 3.0-inch NPT	1	
25	8160093	Gasket - Pump/Motor	1	
26	8160220	Insulation, Microswitch	1	[2]
27	9002110	Cover - Microswitch	1	[2]
28	8068342	Support, Oil Return Valve	1	[2]
29	8069385	Support, Microswitch Mount, Full-vat	1	[2]
29a	9002112	Support, Microswitch Mount, Dual-vat	1	[2]
29b	8261376	Nut - #10-32 Keps Hex	10	[2]
29c	8261366	Nut - #4-40 Keps Hex	25	[2]
29d	8090194	Flat Washer - 0.3125" ZP	1	[2]
29e	8090056	Nut - 0.3125"- 24, Hex Head, Nylon Lock	1	[2]
29f	8090514	Cap Screw - 0.3125" 18 NC Hex	1	[2]
29g	WIR0220	Support, Microswitch Mount, Pump Wiring Assembly	1	[2]
29h	8261359	Screw - #4-40 x 0.75" Slotted Round Head	25	[2]
30	8262118	Heater Tape Retrofit, Kit, 100 VAC	1	
30a	8262119	Heater Tape Retrofit, Kit, 120 VAC	1	
30b	8262120	Heater Tape Retrofit, Kit, 220/240 VAC	1	
30c	8262121	Heater Tape Retrofit, Kit, 250 VAC	1	

PART NOTES:

- [1] - see additional components below
- [2] - included with Item 1
- [3] - 150' roll
- [4] - sold by the foot
- [5] - for 120V fryers
- [6] - for 208-240V fryers

Thermostats and Timers



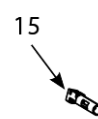
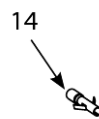
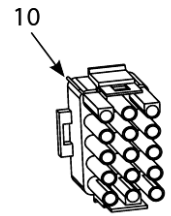
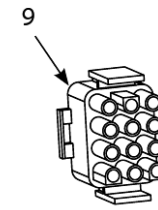
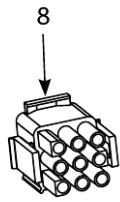
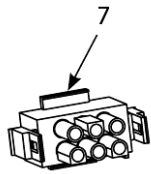
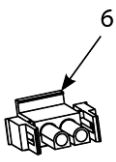
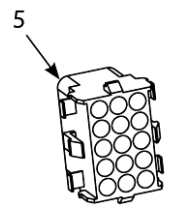
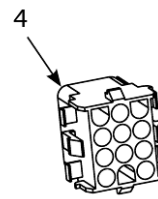
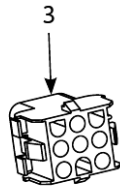
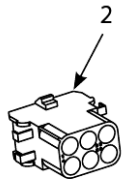
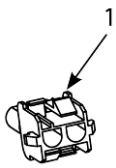
Thermostats and Timers

#	PART #	DESCRIPTION	QTY	Note
1	8060183	Operating Thermostat Assembly, Fenwall, With Two Blue Insulated Push-on Terminals, 4" (MJ35 & 45, Non-CE)	1	
2	8065816	Operating Thermostat Assembly, Fenwall, With One Wire Push-on, One Fork Terminal, 3" (MJ35, Non-CE)	1	
3	8067972	Operating thermostat	1	
4	1067036	Operating Thermostat Assembly, Fenwall, With One Wire Push-on, One Fork Terminal, 4" (MJ45, CE)	1	
5	8069617	Operating Thermostat Assembly, Fenwall, With One Blue Insulated Push-on, One Fork Terminal, 4" (MJ35 & 45, CE)	1	
6	8060087SP	Operating Thermostat Assembly, Fenwall, Thermostat Dial Plate Assembly	1	
7	8261177	Thermostat, High-Limit 425°F/218°C	1	
8	8067550	High-Limit Thermostat, 218°C High-limit (CE)	1	[1]
9	8100999	Flex Shaft, Control Panel Mount Assembly, 9.25" overall	1	
10	8100345	Shaft, 7.25" Thermostat Flexible Extension	1	
11	8101651	Shaft, 5.50" Thermostat Flexible Extension	1	
12	8100276	Shaft, 2.25" Thermostat Flexible Extension	1	
13	9002071	Mounting Bracket	1	
14	8262698	Timers, Basket Lift, 15-minute Electronic Timer, Single	1	
15	8262699	Timers, Basket Lift, 15-minute Electronic Timer, Multi-vat System	1	
16	8100585	Timers, Basket Lift, 15-minute Mechanical Timer	1	
17	9101551	Mechanical Timer - Basket Lift - 15 minute	1	
18	8100387	Knob	1	
19	8261395	Plug Button	10	
20	8101287	Knob, 15-minute Mechanical Timer	1	
21	8100110	Thermostat Knob	1	
22	8100334	Knob, with Skirt	1	
23	8100388	Knob, 1" Black	1	
24	8261575	Kit, Retrofit 5-minute Timer	1	
25	8074134	Butterfly/Envelope Adapter	1	[2]
26	1064386SP	Toggle Switch	1	
27	8064206	Probe Assembly, Temperature	1	
28	2100681	Probe Guard	1	

PART NOTES:

- [1] - includes adapter for gas valve hookup
- [2] - CE; included in 8103442

Wiring Harnesses, Pin Terminals, and Power Cords



Wiring Harnesses, Pin Terminals, and Power Cords

#	PART #	DESCRIPTION	QTY	Note
1	8071068	2-Pin Female	1	
2	8070158	6-Pin Female	1	
3	8070156	9-Pin Female	1	
4	8070159	12-Pin Female	1	
5	8070875	15-Pin Female	1	
6	8071067	2-Pin Male	1	
7	8070157	6-Pin Male	1	
8	8070155	9-Pin Male	1	
9	8070160	12-Pin Male	1	
10	8070804	15-Pin Male	1	
11	8261332	Terminal, Female Disconnect Pin	25	
12	8261333	Terminal, Male Split Pin	25	
13	8072518	Plug, Mate-N-Lock	1	[1]
14	8261331	Terminal, M&L Female Split Pin	25	
15	8261336	Terminal, M&L Male Split Pin	25	
16	8070154	Power Cord - 120V w/Ground Plug	1	[2]

PART NOTES:

- [1] - Dummy Pin
- [2] - Power Cord