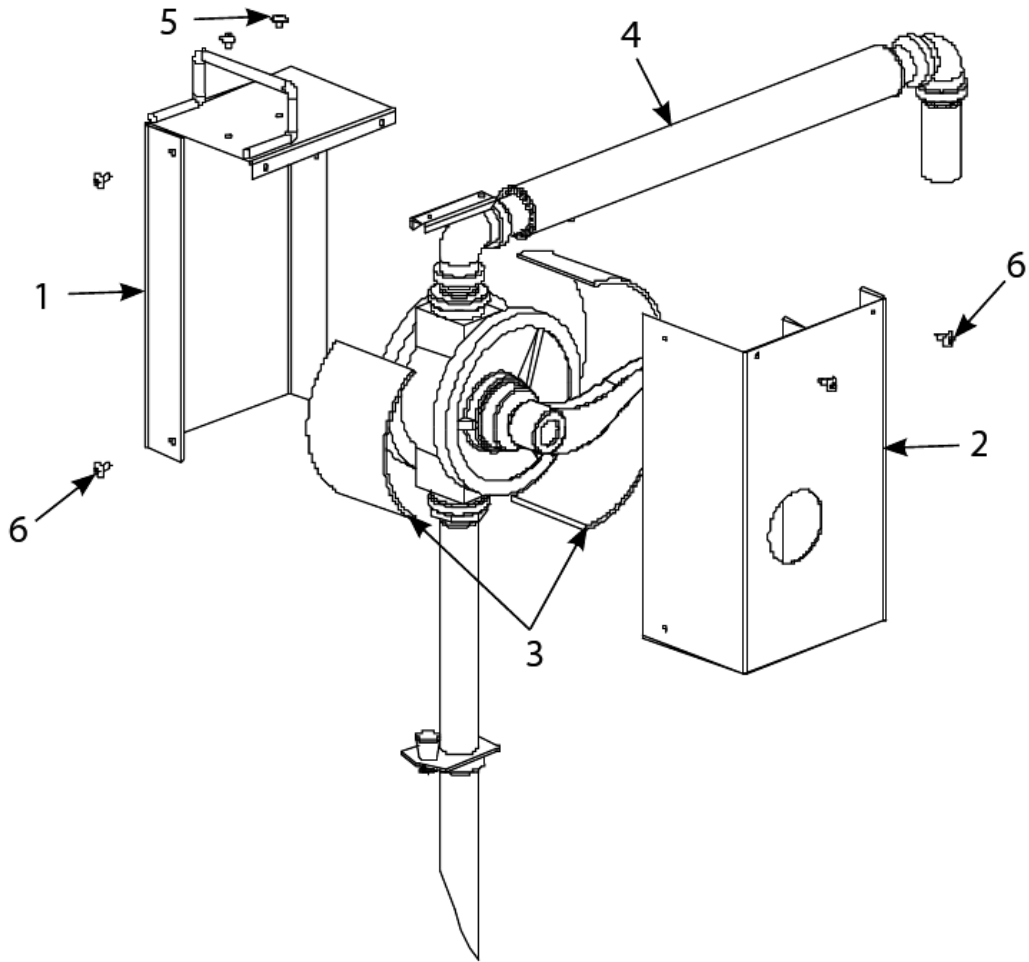


SDU50/SDU100

BKSDU Pump Assembly



SDU50/SDU100

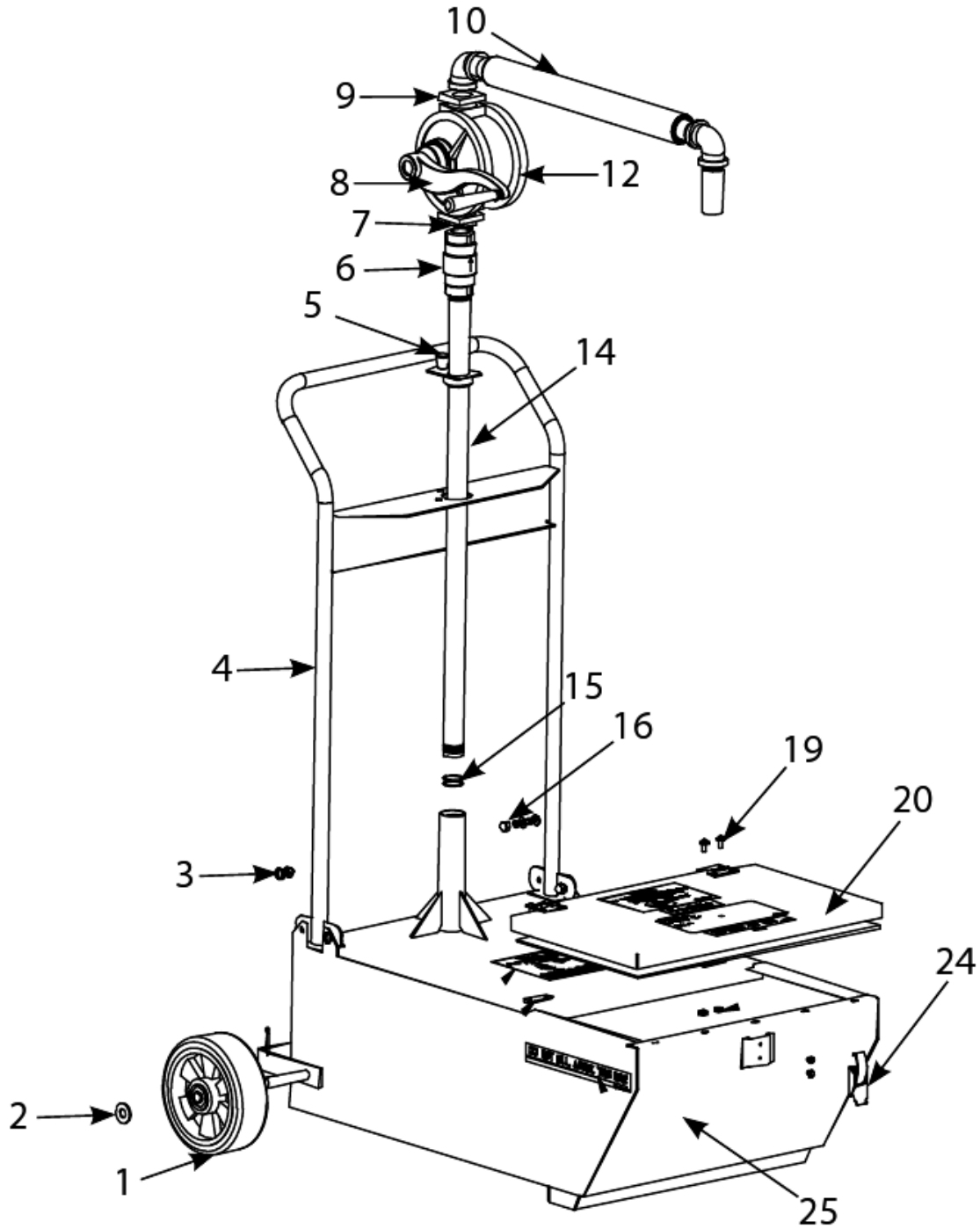
BKSDU Pump Assembly

#	PART #	DESCRIPTION	QTY	Note
1	8231847	Cover and Handle Assembly, BKSDU	1	
2	9004429	Box, BKSDU Pump	1	
3	8110861	Foam Insulation – by the foot	1	
4	8234617	Pipe Assembly, Discharge, BKSDU	1	
5	8090477	Screw, #10 X 0.25-inch Philips Truss Head	1	
6	8090266	Screw, 10 x 0.5-inch Phillips Head ZP	1	

BKSDU Pump Assembly

SDU50/SDU100

SDU 50, 90, 100 and BKSDU units built April 2010 and later



SDU 50, 90, 100 and BKSDU units built April 2010 and later

SDU50/SDU100

SDU 50, 90, 100 and BKSDU units built April 2010 and later

#	PART #	DESCRIPTION	QTY	Note
1	8103784	Wheel, 6" x 2"	1	
2	8090200	Washer, Flat	1	
3	8091001	Screw, 0.25-20 x 0.5" Slotted Head	1	
4	8232421	Handle Assembly, SDU90	1	
4a	8238879	Handle Assembly	1	
5	8100777	Pin, Plunger	1	
6	8103858	Check valve, 0.75" NPT	1	[1]
7	8130032	Bushing, Flexible Gas Line	1	
8	8100657	Handle	1	
9	8130109	Nipple, 0.75-inch NPT Close	1	
10	8234600	Pipe Assembly, Discharge, Standard	1	
10a	8237935	Discharge pipe, SDU 100	1	
10b	8234617	Pipe Assembly, Discharge, BKSDU	1	
11	1082580	SDU 100 Complete discharge assembly: pump, discharge pipes, check valve	1	
11a	1082303	SDU 50/90 Complete discharge assembly: pump, discharge pipes, check valve	1	
11b	1063767	BKSDU Complete discharge assembly: pump, discharge pipes	1	
12	8100784	Pump	1	
13	8261053	Kit, Pump Repair	1	[2]
14	8237849	Suction pipe, SDU 50, 90, 100	1	
14a	8234581	Pipe Assembly, Suction	1	
15	8160132	O-ring, Suction Pipe Assembly	1	
16	8091001	Screw, 0.25-20 x 0.5" Slotted Head	1	
17	8090047	Nut, Cap- 0.25-20 High Profile S/S	1	
18	8090193	Flat Washer - 0.25" Nylon	1	
19	8090119	Screw, 10-32 x 0.5-inch Slotted Head	1	
20	8232422	Cover assembly, SDU 90	1	
20a	8237804	Cover assembly, SDU 100	1	
20b	8231683	Cover assembly, SDU 50, BKSDU	1	
21	8160877	Cover gasket, SDU 100	1	
21a	8160264	Gasket, Cover, SDU90	1	
21b	8160134	Gasket, Cover, SDU50 and BKSDU	1	
22	8160133	Gasket, Cover Hinge	1	
23	1082210	Crumb screen, SDU 100	1	
23a	1080706	Crumb screen, SDU 90	1	
23b	1080705	Oven Door Panel	1	
24	8100742	Latch, Tank Cover	1	
25	8232420	Tank assembly, SDU 90	1	
25a	8237803	Tank assembly, SDU 100	1	
25b	8234580	Tank assembly, SDU 50	1	
25c	8236268	Tank assembly, BKSDU	1	
26	8236267	Heater assembly for BKSDU	1	

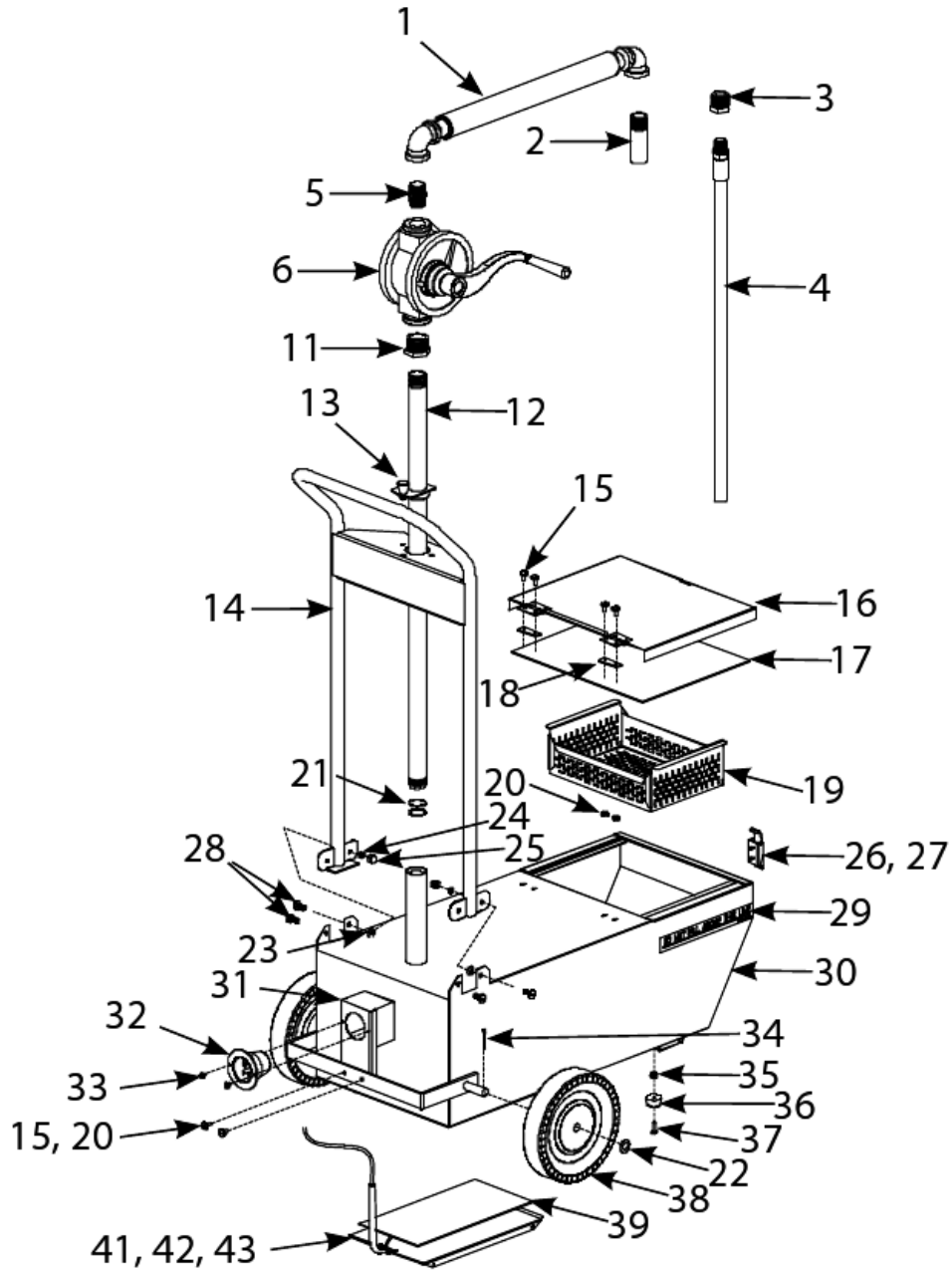
PART NOTES:

- [1] - Added August 2010
- [2] - includes two vanes, one spring, one rod, one gasket

SDU 50, 90, 100 and BKSDU units built April 2010 and later

SDU50/SDU100

SDU 50, 90, 100 and BKSDU units built before April 2010



SDU 50, 90, 100 and BKSDU units built before April 2010

SDU50/SDU100

SDU 50, 90, 100 and BKSDU units built before April 2010

#	PART #	DESCRIPTION	QTY	Note
1	8234600	Pipe Assembly, Discharge, Standard	1	
1a	8234617	Pipe Assembly, Discharge, BKSDU	1	
1b	8234598	Pipe Assembly, Discharge, Hose Discharge	1	
2	8130115	Nipple, 0.75-inch x 3-inch Toe	1	
3	8130031	Bushing, 0.75-inch NPT to 0.5-inch Reducer	1	
4	8101845	Hose, 24-inch Discharge	1	[1]
4a	8102797	Hose, 48-inch Discharge	1	[1]
5	8130109	Nipple, 0.75-inch NPT Close	1	
6	8100784	Pump	1	[2]
7	8100657	Handle	1	
8	8262774	Check Valve Kit	1	
9	8261053	Kit, Pump Repair	1	[3]
10	8160401	Seal, Pump Shaft	1	
11	8130032	Bushing, Flexible Gas Line	1	
12	8234581	Pipe Assembly, Suction	1	
13	8100777	Pin, Plunger	1	
14	8238879	Handle Assembly	1	
14a	8232421	Handle Assembly, SDU90	1	
15	8090119	Screw, 10-32 x 0.5-inch Slotted Head	1	
16	8231683SP	Cover and Hinge Assembly, SDU50 and BKSDU	1	[4]
16a	8232422SP	Cover and Hinge Assembly, SDU90	1	[5]
17	8160134	Gasket, Cover, SDU50 and BKSDU	1	[6]
17a	8160264	Gasket, Cover, SDU90	1	[6]
18	8160133	Gasket, Cover Hinge	1	
19	8240438	Crumb Tray	1	
19a	1080706	Crumb screen, SDU 90	1	
20	8261376	Nut - #10-32 Keps Hex	10	
21	8160132	O-ring, Suction Pipe Assembly	1	[7]
22	8090200	Washer, Flat	1	
23	8090193	Flat Washer - 0.25" Nylon	1	
24	8090191	Washer, Lock 0.25 Spring ZP	1	
25	8090047	Nut, Cap- 0.25-20 High Profile S/S	1	
26	8100742	Latch, Tank Cover	1	
27	8090359	Screw, 8 x 0.25-inch Hex Washer Head	1	
28	8091001	Screw, 0.25-20 x 0.5" Slotted Head	1	
29	8020227	Label, Fill Line	1	
30	8234580SP	Tank and Axle Assembly, SDU50 and BKSDU	1	
30a	8262103	Tank and Axle Assembly, SDU50 Retrofit Kit for SDU's manufactured before Jan. 2004	1	
30b	8234583	Tank and Axle Assembly, SDU90 If replacing tank manufactured pre-Jan.2004, item 12 will also be needed	1	
31	8231911	Housing, 120VAC Receptacle	1	[8]
31a	8235060	Housing, 240VAC Receptacle (BKSDU only)	1	
32	8071219	Receptacle - 3-Wire	1	
32a	8074108	Receptacle, 120V 3-wire (BKSDU only) (for 240VAC)	1	
33	8090266	Screw, 10 x 0.5-inch Phillips Head ZP	1	

SDU 50, 90, 100 and BKSDU units built before April 2010

SDU50/SDU100

SDU 50, 90, 100 and BKSDU units built before April 2010

#	PART #	DESCRIPTION	QTY	Note
33a	8090396	Screw, #10 x 0.5-inch Phillips Truss Head (for 240VAC Receptacle)	1	
34	8100783	Cotter Pin	1	
35	8090054	Nut, 10-32 Elastic Lock (BKSDU only)	1	
36	8140051	Bumper, Rubber (BKSDU only)	1	
37	8090122	Screw, 10-32 x 0.625-inch Slotted Round Head (BKSDU only)	1	
38	8101112	Wheel, 7-inch x 1.5-inch	1	
39	8071577	Heater, 120V 50W 5" x 10" (BKSDU only)	1	
40	8071224	Cord, Power - 3-Wire 115V	1	
40a	1064697	Cord, Power – 240VAC (BKSDU only)	1	
41	8231915	Shield Heater	1	[8]
42	8090104	Screw, 8-32 x 0.5-inch Slotted Head ZP	1	
43	8090247	Nut - #8-32 Keps Hex	1	
44	8150661	Adhesive, 3M 1300L	1	

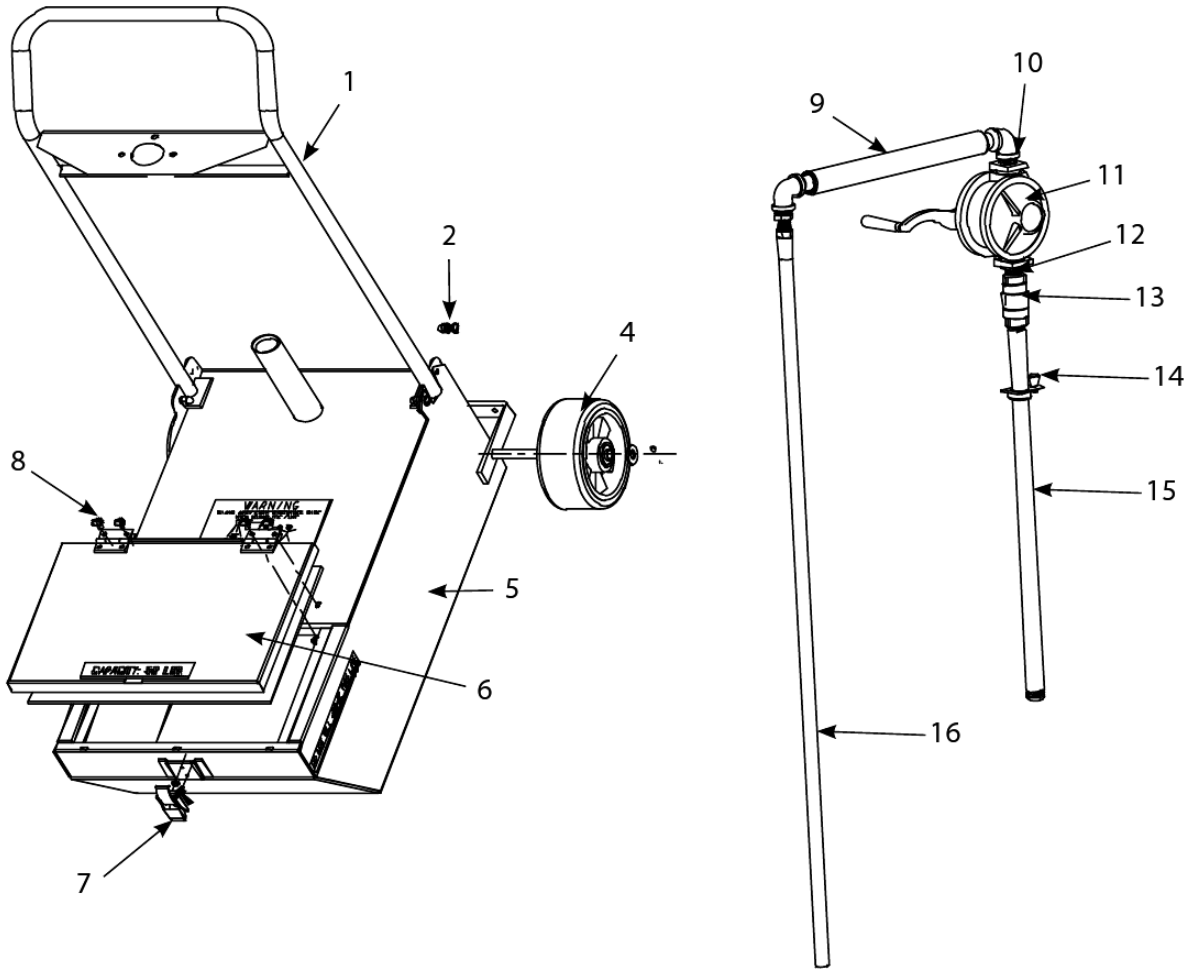
PART NOTES:

- [1] - Optional
- [2] - includes handle
- [3] - includes two vanes, one spring, one rod, one gasket
- [4] - does not include gasket
- [5] - does not include gasket (Item 17)
- [6] - attach with 3M 1300L adhesive or equivalent
- [7] - 2 required
- [8] - BKSDU only

SDU 50, 90, 100 and BKSDU units built before April 2010

Shortening Disposal Unit

Units built February 2011 and later



Units built February 2011 and later

Shortening Disposal Unit

Units built February 2011 and later

#	PART #	DESCRIPTION	QTY	Note
1	8238879	Handle Assembly	1	
2	8091001	Screw, 0.25-20 x 0.5" Slotted Head	1	
3	8090193	Flat Washer - 0.25" Nylon	1	
3a	8090047	Nut, Cap- 0.25-20 High Profile S/S	1	
4	8103784	Wheel, 6" x 2"	1	
4a	8090200	Washer, Flat	1	
4b	8100783	Cotter Pin	1	
5	8234580SP	Tank and Axle Assembly, SDU50 and BKSDU	1	
5a	1080705	Oven Door Panel	1	
6	8231683SP	Cover and Hinge Assembly, SDU50 and BKSDU	1	
6a	8160134	Gasket, Cover, SDU50 and BKSDU	1	
6b	8160133	Gasket, Cover Hinge	1	
7	8100742	Latch, Tank Cover	1	
7a	8090359	Screw, 8 x 0.25-inch Hex Washer Head	1	
8	8090119	Screw, 10-32 x 0.5-inch Slotted Head	1	
9	8234600	Pipe Assembly, Discharge, Standard	1	
9a	8234598	Pipe Assembly, Discharge, Hose Discharge	1	
10	8130109	Nipple, 0.75-inch NPT Close	1	
11	8100784	Pump	1	
11a	8100657	Handle	1	
12	8130032	Bushing, Flexible Gas Line	1	
13	8103858	Check valve, 0.75" NPT	1	
14	8100777	Pin, Plunger	1	
15	8237849	Suction pipe, SDU 50, 90, 100	1	
15a	8160132PK	Suction pipe O-ring	1	[1]
16	8102797	Hose, 48-inch Discharge	1	
16a	8101845	Hose, 24-inch Discharge	1	

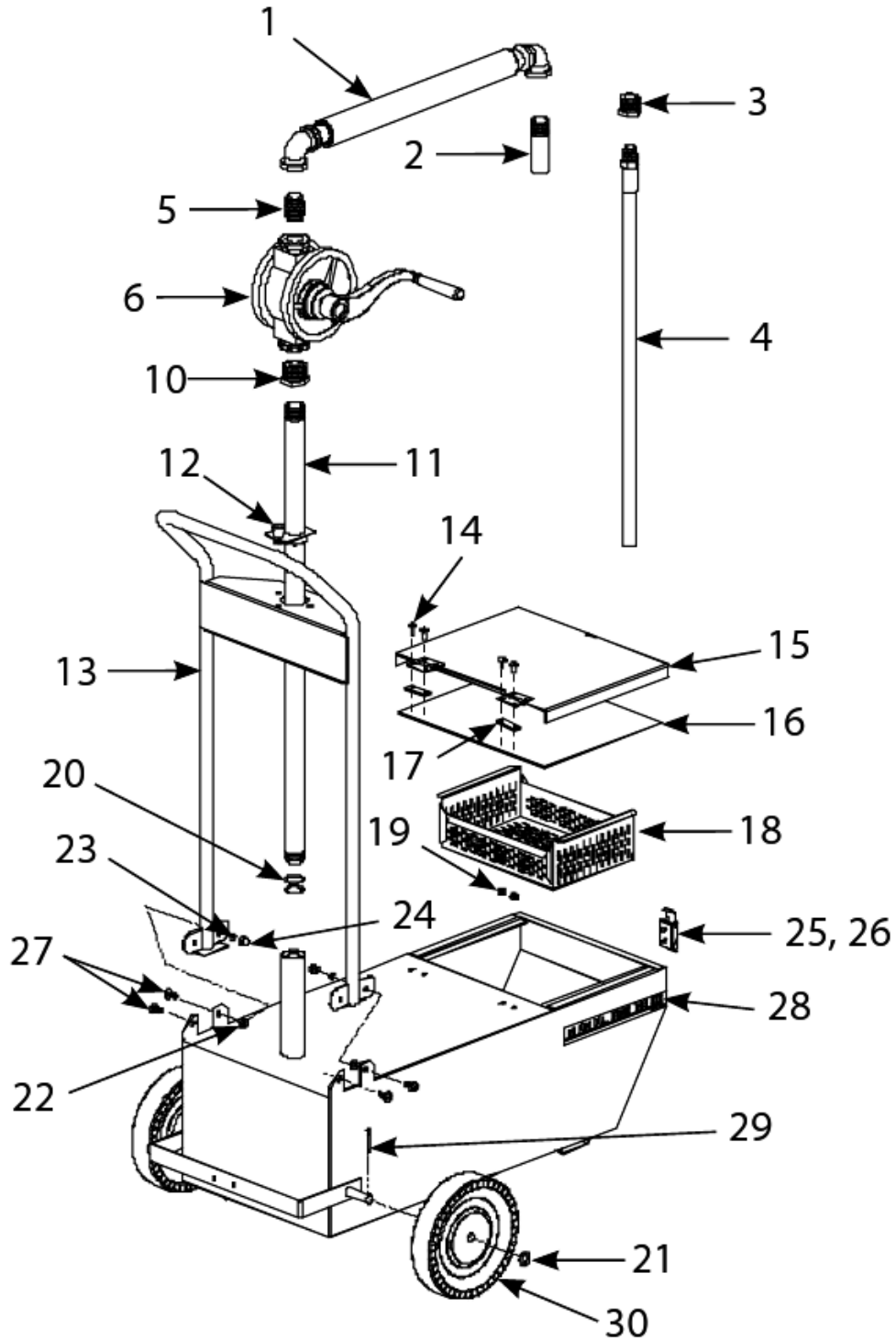
PART NOTES:

[1] - 5 pack

Units built February 2011 and later

Shortening Disposal Unit

Units built prior to February 2011



Units built prior to February 2011

Shortening Disposal Unit

Units built prior to February 2011

#	PART #	DESCRIPTION	QTY	Note
1	8234600	Pipe Assembly, Discharge, Standard	1	[1]
1a	8234598	Pipe Assembly, Discharge, Hose Discharge	1	[2]
2	8130115	Nipple, 0.75-inch x 3-inch Toe	1	
3	8130031	Bushing, 0.75-inch NPT to 0.5-inch Reducer	1	
4	8101845	Hose, 24-inch Discharge	1	[3]
4a	8102797	Hose, 48-inch Discharge	1	[3]
5	8130109	Nipple, 0.75-inch NPT Close	1	
6	8100784	Pump	1	
6a	8100657	Handle	1	
7	8261053	Kit, Pump Repair	1	[4]
8	8262774	Check Valve Kit	1	
9	8160401	Seal, Pump Shaft	1	
10	8130032	Bushing, Flexible Gas Line	1	
11	8234581	Pipe Assembly, Suction	1	
12	8100777	Pin, Plunger	1	
13	8238879	Handle Assembly	1	
14	8090119	Screw, 10-32 x 0.5-inch Slotted Head	1	
15	8231683SP	Cover and Hinge Assembly, SDU50 and BKSDU	1	[5]
16	8160134	Gasket, Cover, SDU50 and BKSDU	1	[6]
17	8160133	Gasket, Cover Hinge	1	
18	8240438	Crumb Tray	1	
19	8261376	Nut - #10-32 Keps Hex	10	
20	8160132	O-ring, Suction Pipe Assembly	1	[7]
21	8090200	Washer, Flat	1	
22	8090193	Flat Washer - 0.25" Nylon	1	
23	8090191	Washer, Lock 0.25 Spring ZP	1	
24	8090047	Nut, Cap- 0.25-20 High Profile S/S	1	
25	8100742	Latch, Tank Cover	1	
26	8090359	Screw, 8 x 0.25-inch Hex Washer Head	1	
27	8091001	Screw, 0.25-20 x 0.5" Slotted Head	1	
28	8020227	Label, Fill Line	1	
29	8100783	Cotter Pin	1	
30	8101112	Wheel, 7-inch x 1.5-inch	1	
31	8150661	Adhesive, 3M 1300L	1	
32	8150565	Grease, Accrolube w/ Teflon	1	

PART NOTES:

- [1] - includes Item 2
- [2] - Hose Discharge includes Item 3
- [3] - Optional
- [4] - includes two vanes, one spring, one rod, one gasket
- [5] - does not include gasket (item 16)
- [6] - attach with 3M 1300L adhesive or equivalent
- [7] - 2 required

Units built prior to February 2011