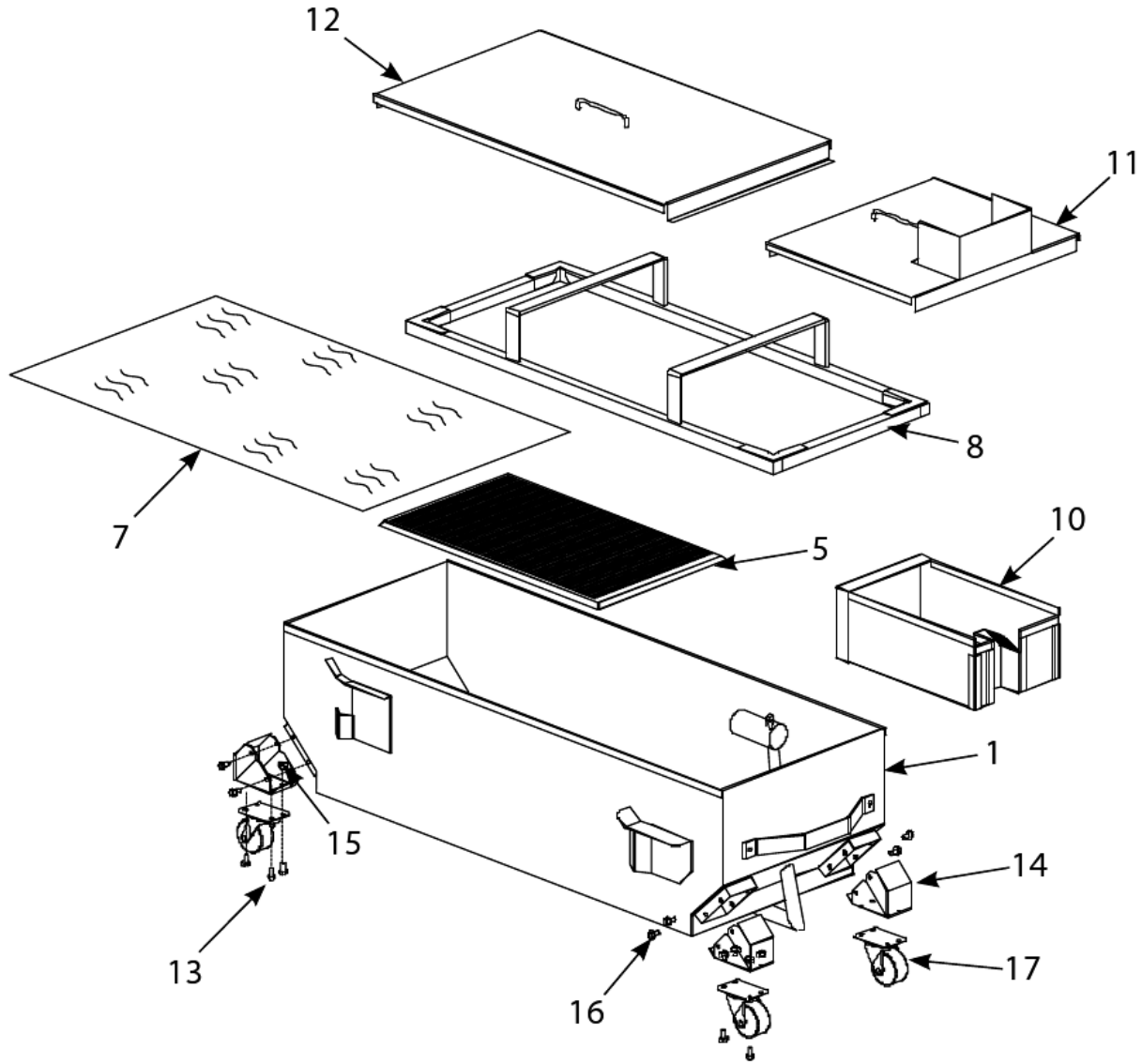


fry_p_0054_5_15

SUFF 60 (Current Production - Domestic and 18UE, BIH1721)



SUFF 60 (Current Production - Domestic and 18UE, BIH1721)

fry_p_0054_5_15

SUFF 60 (Current Production - Domestic and 18UE, BIH1721)

#	PART #	DESCRIPTION	QTY	Note
1	1062228SP	Filter Pan, SUFF 60 Domestic	1	
2	1062225SP	Filter Pan, SUFF 60 18UE/BIH1721	1	
3	8130684	Plug, Hex Socket, 0.375" NPT	1	
4	8130679	Plug, 0.125" SS NPT, Sq-Head	1	
5	8235421	Support Grid, Bottom Pan Screen	1	
6	8233769	Support Grid (Bottom Pan Screen)- SUFF 60 18UE/BIH1721	1	
7	8030289	Filter Paper - 22" x 34"	1	
8	8235421	Support Grid, Bottom Pan Screen	1	
10	8235423	Crumb Basket	1	
11	8233766	Filter Pan Cover, Front- All SUFF 60	1	
12	8233767	Filter Pan Cover, Back- All SUFF 60	1	
13	8090428	Screw - 0.25"-20 x 0.5" Steel	1	
14	2102291	Insert, Caster	1	
15	8090820	Nut, Oval Locking, 0.25-20	1	
16	8090805	Screw, 0.25-20 x 0.5"	1	
17	8102807	Caster - 2" Rigid	1	

SUFF 60 (Current Production - Domestic and 18UE, BIH1721)