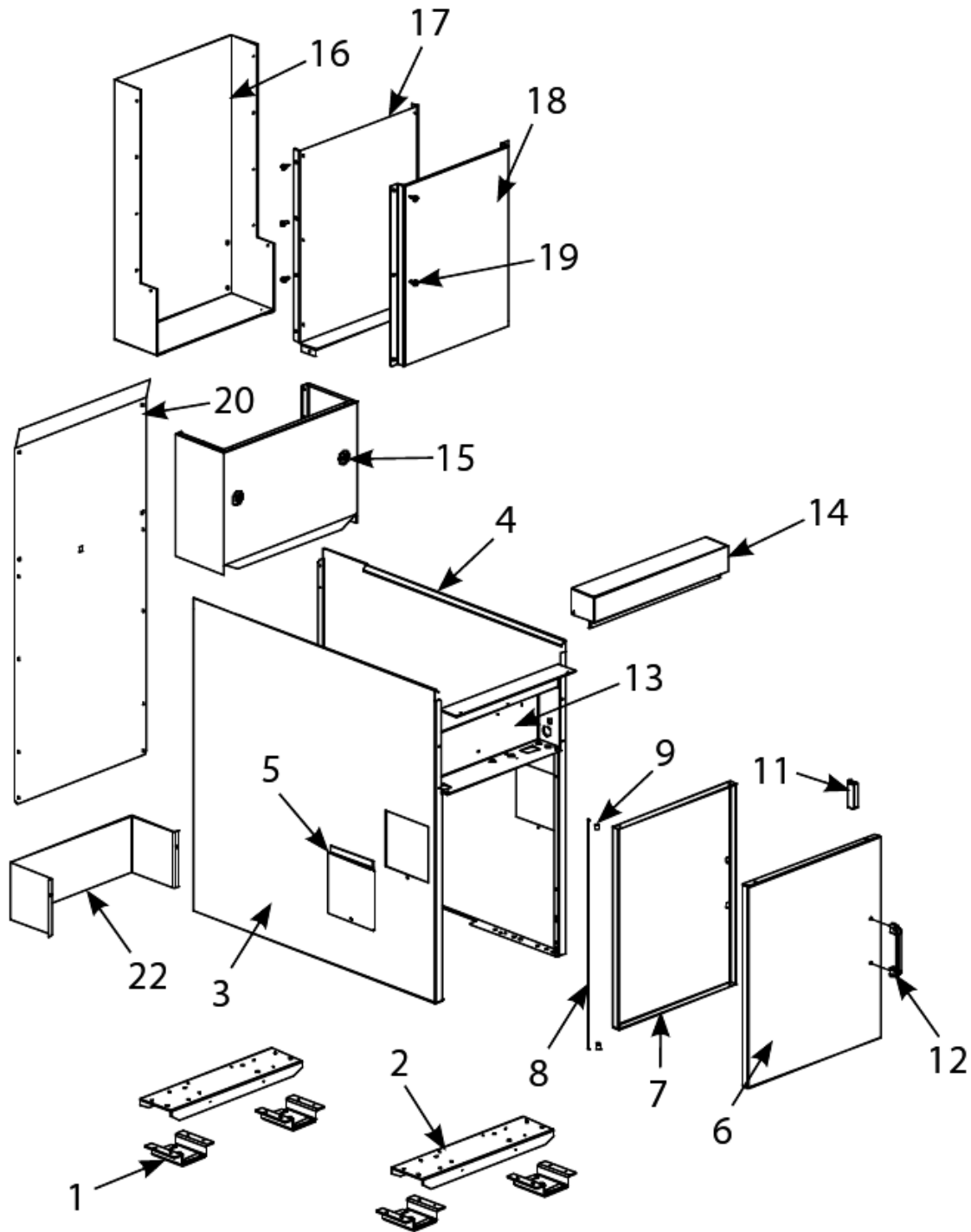


TB14 Series Gas Fryers

Cabinetry and Related Components



TB14 Series Gas Fryers

Cabinetry and Related Components

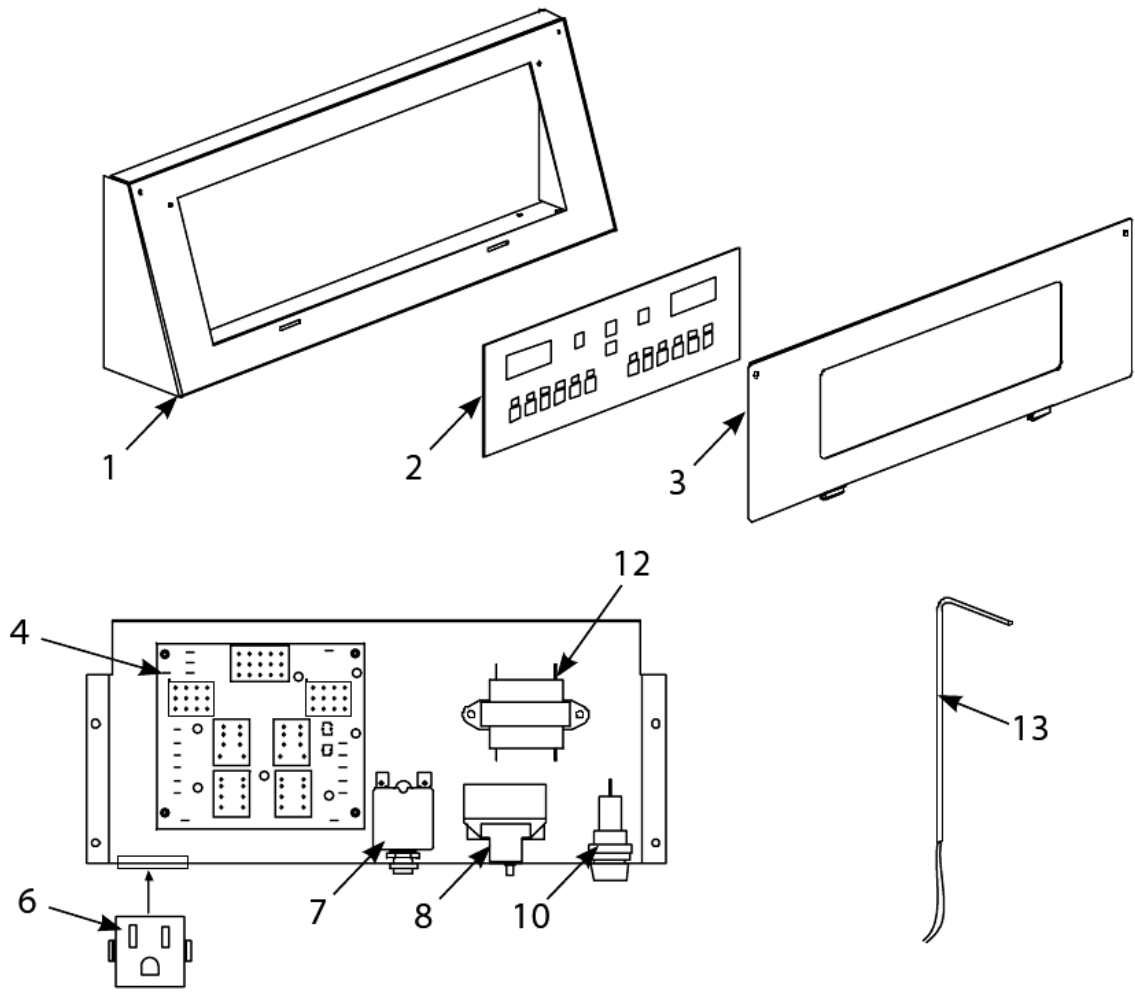
#	PART #	DESCRIPTION	QTY	Note
1	8233248	Support, Caster- Channel Base	1	
2	2001148	Channel, Front and Rear	1	
3	2013563	Side, Cabinet- Left- Painted	1	
4	2023563	Side, Cabinet- Right- Painted	1	
5	2102804	Cover, Outlet Duct	1	
6	2101380	Panel, Outer- Door	1	
7	2001379	Panel, Inner Door	1	
8	2001301	Door Pin	1	
9	8102265	Spacer, Nylon	1	
10	8160529	Bumper, Rubber	1	[1]
11	8100066	Magnet	1	
12	8100180	Handle	1	
12a	8090918	Screw - #10-24 x 0.5" Slotted	1	[2]
12b	8090191	Washer, Lock 0.25 Spring ZP	1	[2]
12c	8100179	Button, Plug	1	
13	2003565	Box, Component	1	[3]
14	8241103	Top Cap, Single System	1	
15	8234072	Flue Cap, TB14	1	
16	2001350	Rear, Flue Box	1	
17	2001343	Front, Flue Box	1	
18	2002872	Shield, Flue Heat	1	
19	8090167	Screw, Sheet Metal 10 A x 0.625" B	1	
20	2003567	Back, Cabinet	1	
21	2001376	Bracket, Restraining	1	[4]
22	2003559	Shield, Back- SUFF Filter	1	

PART NOTES:

- [1] - Self-Adhesive
- [2] - Use With Handle, Chrome
- [3] - Wireway Control
- [4] - Attach To Cabinet Back

TB14 Series Gas Fryers

Computer and Related Components



TB14 Series Gas Fryers

Computer and Related Components

#	PART #	DESCRIPTION	QTY	Note
1	2103562	Control Panel, Computer	1	
2	8262297	Computer Magic 3.5 - Full Vat (CE)	1	
3	8233806	Bezel, Computer- TB14	1	
4	8064549	Board, Interface	1	
5	8067179	Sound Device	1	
6	8073684	Outlet, Filter Power- 120V	1	
7	8073577	Circuit Breaker - 7 amp	1	[1]
7a	8073538	Circuit Breaker - 5 amp	1	[2]
8	8073680	High-limit Thermostat, Manual Reset 450° F	1	[3]
9	8102046	Spring, Spacer- High Limit Capillary Bulb	1	
10	8071321	Holder, Fuse	1	
11	8073592	Fuse, 2A, Slow Blow	1	
12	8070979	Transformer, 208V/240V/12V	1	
13	1060986SP	Probe, Temperature	1	
14	2101386	Clamp, Probe Bulb and High-Limit Bulb	1	
15	8102164	Spring, Space- Electronic Thermostat Probe	1	
16	8090448	Clip, Tinnerman	1	[4]
17	8090360	Screw, 8 x 0.375-inch Hex Washer Slot Head	1	

PART NOTES:

- [1] - 120V
- [2] - 230V
- [3] - 450°F Manual Reset
- [4] - Sensor Probe and High-Limit Probe Clamp

TB14 Series Gas Fryers

Filter Module Components

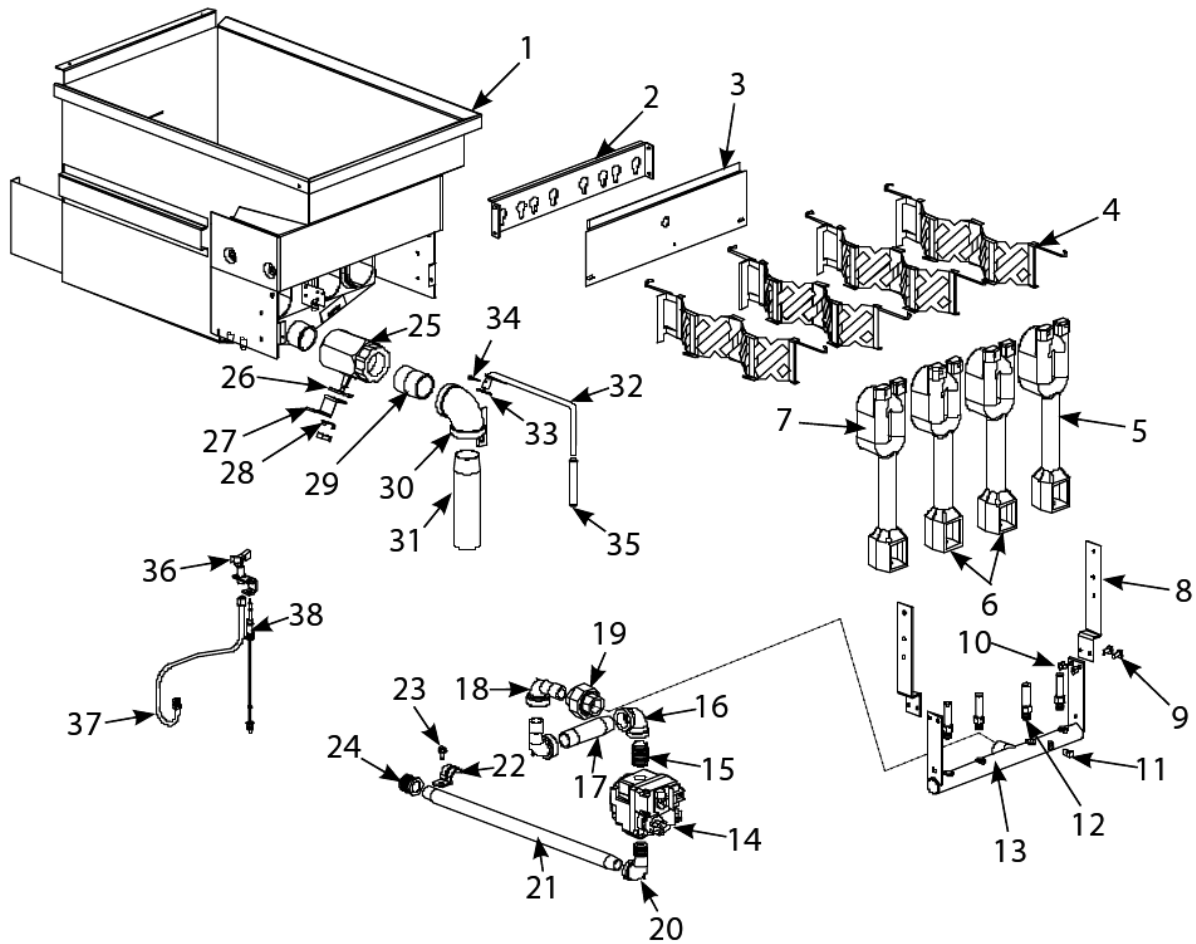
#	PART #	DESCRIPTION	QTY	Note
1	8233791	Support, Leg- Left- SUFF 50- SM40G, SM50G	1	
2	2013529	Base, Channel- Left Hand	1	
3	8233792	Support, Leg- Right- SUFF 50- SM40G, SM50G	1	
4	2023529	Base, Channel- Right- SUFF 50- SM40G, SM50G	1	
5	2103636	Slide, Front- SUFF Filter, All Systems	1	
6	8233788	Slide, Rear, Left- SUFF Filter- SM50G	1	
7	8233789	Slide, Rear, Right- SUFF Filter- SM50G	1	
8	2003522	Base, Lower Filter- SUFF 50- SM40G, SM50G	1	
9	2003524	Cover, Electrical Access- SUFF 50- SM40G, SM50G	1	
10	8233783	Base, Upper Filter- SUFF 50- SM40G, SM50G	1	
11	8073577	Circuit Breaker - 7 amp	1	[1]
11a	8073538	Circuit Breaker - 5 amp	1	[2]
12	8073620	Switch, Filter By-pass Toggle (older units)	1	
13	8073795	Receptacle, 230 VAC Three-Wire	1	
14	8071321	Holder, Fuse	1	
15	8073592	Fuse, 2A, Slow Blow	1	
16	2003532	Cover, Inlet Mount	1	
17	8102252	Pump, 5GPM, Filter	1	
18	8102100	Motor, Filter Pump	1	
19	8073571	Transformer, 120/24V- 40VA	1	
20	8073611	Relay, 24-Amp	1	
21	8130460	Nipple, 0.5-inch X 3.0-inch NPT	1	
22	8130087	Nipple, 0.5-inch NPT x 1.5-inch (3.8 cm)	1	
23	8130062	Elbow - 0.5" BM x 90°	1	
24	8130006	Bushing, Reducing- 0.5 x 0.375" NPT BM	1	
25	8130625	Nipple, 0.375" x Close NPT BM	1	
26	8102125	Valve, 0.375-inch Oil Return Ball	1	
27	8130003-FRY	Tee - 0.5" NPT	1	
28	8130165	Elbow - 0.5" x 90° NPT Street	1	
29	8130463-FRY	Plug - 0.5" NPT	1	
30	8130247	Nipple, 0.5 x 3.5" NPT BM	1	
31	8130173	Union, 0.5-inch NPT	1	
32	8130022	Nipple, 0.5" Close NPT BM	1	
33	8130515	Nipple, 0.5-inch NPT x 12-inch (30.5 cm)	1	
34	8233800	Manifold Assembly, Suction	1	
35	2001230	Bracket, Front Male Manifold	1	
36	8130608	Coupling, Full	1	
37	8100697	Disconnect, Male	1	
38	8261392	O-Ring	5	

PART NOTES:

- [1] - 120V
- [2] - 230V

TB14 Series Gas Fryers

Frypot, Burners and Related Components



TB14 Series Gas Fryers

Frypot, Burners and Related Components

#	PART #	DESCRIPTION	QTY	Note
1	8261871	Frypot - S/S	1	
2	2001329	Burner Mounting Bracket	1	
3	2001330	Heat Shield	1	
4	2307709	Diffuser Assembly	1	
5	8102150	Burner, Right	1	
6	8102149	Burner, Center	1	
7	8102151	Burner, Left	1	
8	2001615	Support, Manifold	1	
9	8090428	Screw - 0.25"-20 x 0.5" Steel	1	
10	8090823	Nut, Nylock, 0.25-20	1	
11	8130154	Plug, 0.125-inch NPT Hex Head Pipe	1	
12	8102048	Orifice, 2.53 mm (#39)	1	[1]
12a	8102059	Orifice, 1.51 mm (#53)	1	[2]
13	8102130	Manifold, Gas	1	
14	8102156	Gas Valve, Natural Gas 120 VAC	1	
14a	8102323	Gas Valve, LP Gas 120 VAC	1	
15	8130109	Nipple, 0.75-inch NPT Close	1	
16	8130066	Elbow, 0.75-inch NPT x 90°	1	
17	8130119	Nipple, 0.75 x 4" NPT BM	1	
18	8130168	Elbow, 0.75-inch NPT x 90° Street	1	
19	8130174	Union, 0.75" NPT BM	1	
20	8130165	Elbow - 0.5" x 90° NPT Street	1	
21	8130793	Nipple, 0.5 x 19-0.5" NPT BM	1	
22	8102043	Clamp, 0.5"	1	
23	8090821	Screw, Hex Head 0.25-20 x 0.75	1	
24	8130031	Bushing, 0.75-inch NPT to 0.5-inch Reducer	1	
25	8102126	Valve, 1.25" Full Port Drain	1	[3]
26	2102029	Drain Valve Components Bracket, Activator- Microswitch	1	[4]
27	2001940	Drain Valve Components Handle (Actuator), Drain Valve	1	
28	2001257	Retainer, Drain Valve Nut	1	
29	8130391-FRY	Nipple - 1.25" x Close NPT	1	
30	8233801	Elbow Bracket Assembly, Drain Valve	1	
31	8130348	Nipple, Toe- 1-0.25 x 6-0.125"	1	
32	8233440	Handle, Drain, Push/Pull	1	
33	8090885	Washer, 0.375 x 1 x .083" Type A Plain	1	
34	8090843	Pin, Cotter- Plated	1	
35	8160547	Cap, Vinyl- Red	1	
36	8102032	Pilot Burner, RS (Natural)	1	
36a	8102155	Pilot Burner, RS (LP)	1	
37	8100703	Pilot Tubing, Gas Valve to Pilot	1	
38	8073550	Thermocouple	1	
38a	8102033	Thermopile	1	

PART NOTES:

- [1] - 2.53 mm
- [2] - 1.51 mm
- [3] - Includes Washers and Nuts

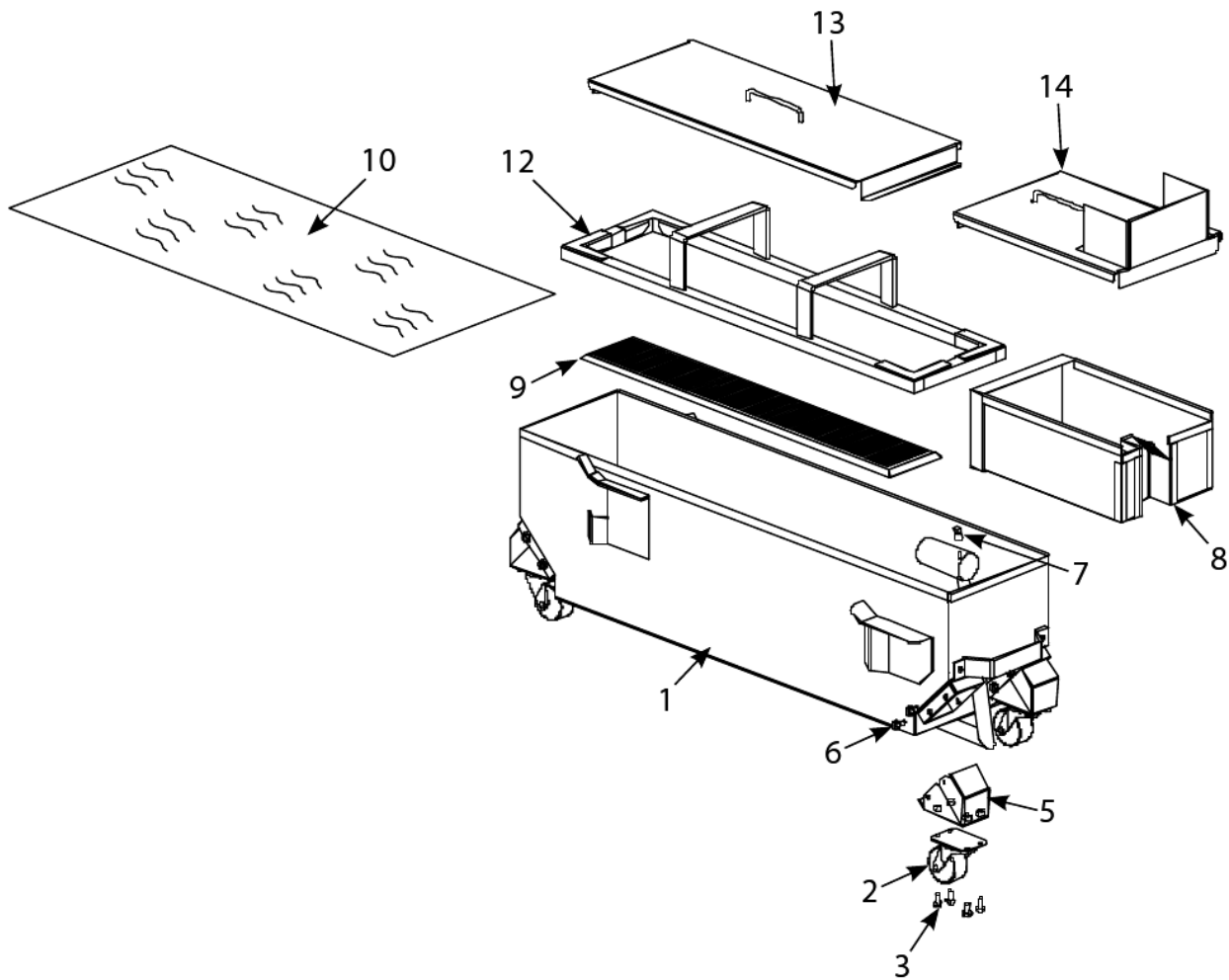
TB14 Series Gas Fryers

Frypot, Burners and Related Components

#	PART #	DESCRIPTION	QTY	Note
[4]	- Activator			

TB14 Series Gas Fryers

Filter Pan Components



TB14 Series Gas Fryers

Filter Pan Components

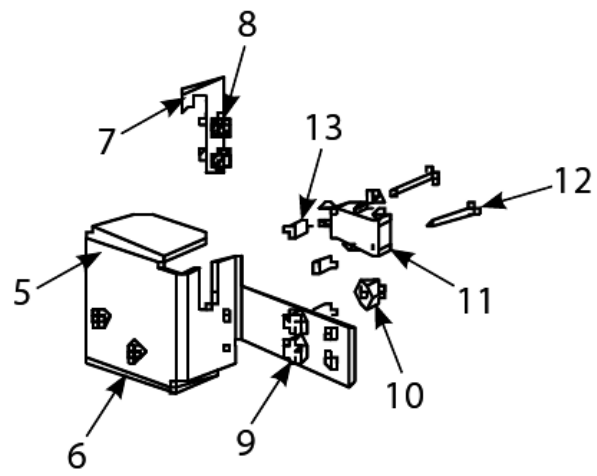
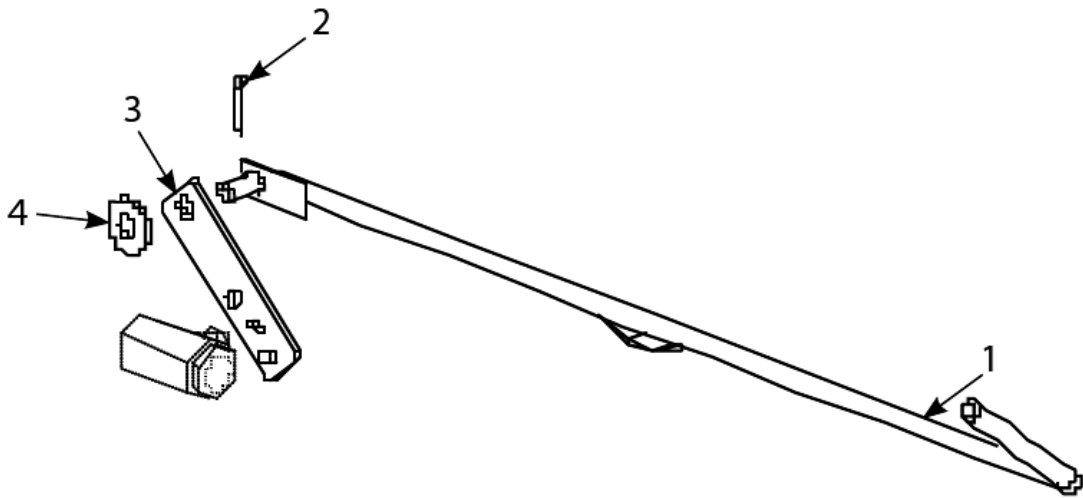
#	PART #	DESCRIPTION	QTY	Note
1	1062257SP	Filter Pan Assembly SUFF 50	1	
2	8102805	Caster - 2"	1	
3	8090428	Screw - 0.25"-20 x 0.5" Steel	1	
4	8090820	Nut, Oval Locking, 0.25-20	1	
5	2102291	Insert, Caster	1	
6	8090805	Screw, 0.25-20 x 0.5"	1	
7	8130679	Plug, 0.125" SS NPT, Sq-Head	1	[1]
7a	8130684	Plug, Hex Socket, 0.375" NPT	1	[2]
8	8235423	Crumb Basket	1	
9	8233790	Support Grid	1	
10	8030317	Paper, Filter- 8-0.25 x 25-0.75"	1	
11	8030002	Powder, Filter	1	
12	8233795	Hold-Down Ring, Weighted	1	[3]
13	8233798	Filter Pan Cover, Back	1	
14	8233797	Filter Pan Cover, Front	1	

PART NOTES:

- [1] - Female Disconnect
- [2] - Pan Pick-up Tube
- [3] - Filter Paper

TB14 Series Gas Fryers

Oil Return Components



TB14 Series Gas Fryers

Oil Return Components

#	PART #	DESCRIPTION	QTY	Note
1	8233531	Handle, Oil Return	1	
2	8090843	Pin, Cotter- Plated	1	
3	8233344	Handle, Actuator- Oil Return Valve	1	
4	8090885	Washer, 0.375 x 1 x .083" Type A Plain	1	
5	2023538	Bracket, Oil Return Microswitch	1	
6	8090842	Nut, 4-40 Nylock	1	
7	2001341	Bracket, Oil Return Handle	1	[1]
8	8090818	Screw, 8 x 0.5-inch Type B	1	
9	8090803	Nut, Nylock 0.25-inch-20	1	
10	8090823	Nut, Nylock, 0.25-20	1	
11	8072104	Microswitch	1	
12	8090846	Screw, 4-40 x 1"	1	
13	8102144	Spacer	1	
14	8071420	Heater Tape 120V 25w 36"	1	

PART NOTES:

[1] - Oil Return Handle