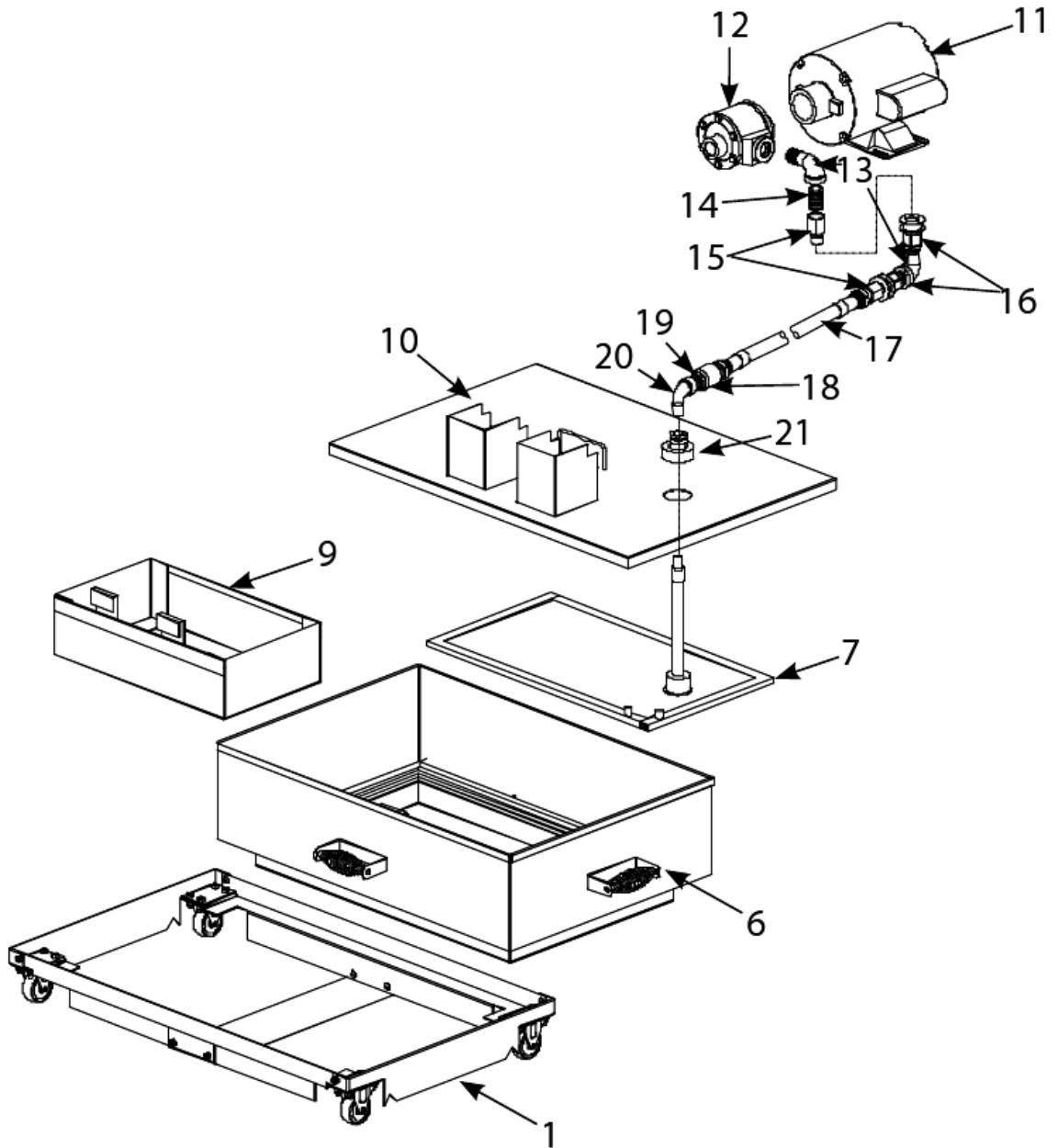


UFF 85 Filter-leaf Equipped Flatbottom (2424)



fry_p_0054_5_15

UFF 85 Filter-leaf Equipped Flatbottom (2424)

#	PART #	DESCRIPTION	QTY	Note
1	1061693SP	Filter Pan Caddy Assembly	1	
2	8102807	Caster - 2" Rigid	1	
3	8090428	Screw - 0.25"-20 x 0.5" Steel	1	
4	8090823	Nut, Nylock, 0.25-20	1	
5	1062837SP	Bracket Assy, Filter Pan Holding	1	
6	8233480SP	Filter Pan With Fittings	1	
7	8102237	Filter Leaf with Compression Cap	1	
8	8102172	Quick Disconnect, Male- 0.375"	1	
9	8233509	Crumb Basket, 85 UFF	1	
10	8233492	Lid Assembly, Filter Pan	1	
11	8102100	Motor, Filter Pump	1	
12	8102098	Pump, Filter- 8GPM	1	
13	8130165	Elbow - 0.5" x 90° NPT Street	1	
14	8130022	Nipple, 0.5" Close NPT BM	1	
15	8102170	Disconnect, Male- 0.5"	1	
16	8102173	Disconnect, Female- 0.5"	1	
17	8102245	Hose Assembly- 16-0.75"	1	
18	8130735	Reducer, Bell- 0.5 To 0.375"	1	
19	8130625	Nipple, 0.375" x Close NPT BM	1	
20	8130695	Elbow, Street- 0.375" NPT 90° BM	1	
21	1061831SP	Coupler Assembly, Female- 0.375"	1	
22	8090807	Collar, Quick Disconnect	1	
23	8102171	Quick Disconnect, Female- 0.375"	1	

UFF 85 Filter-leaf Equipped Flatbottom (2424)