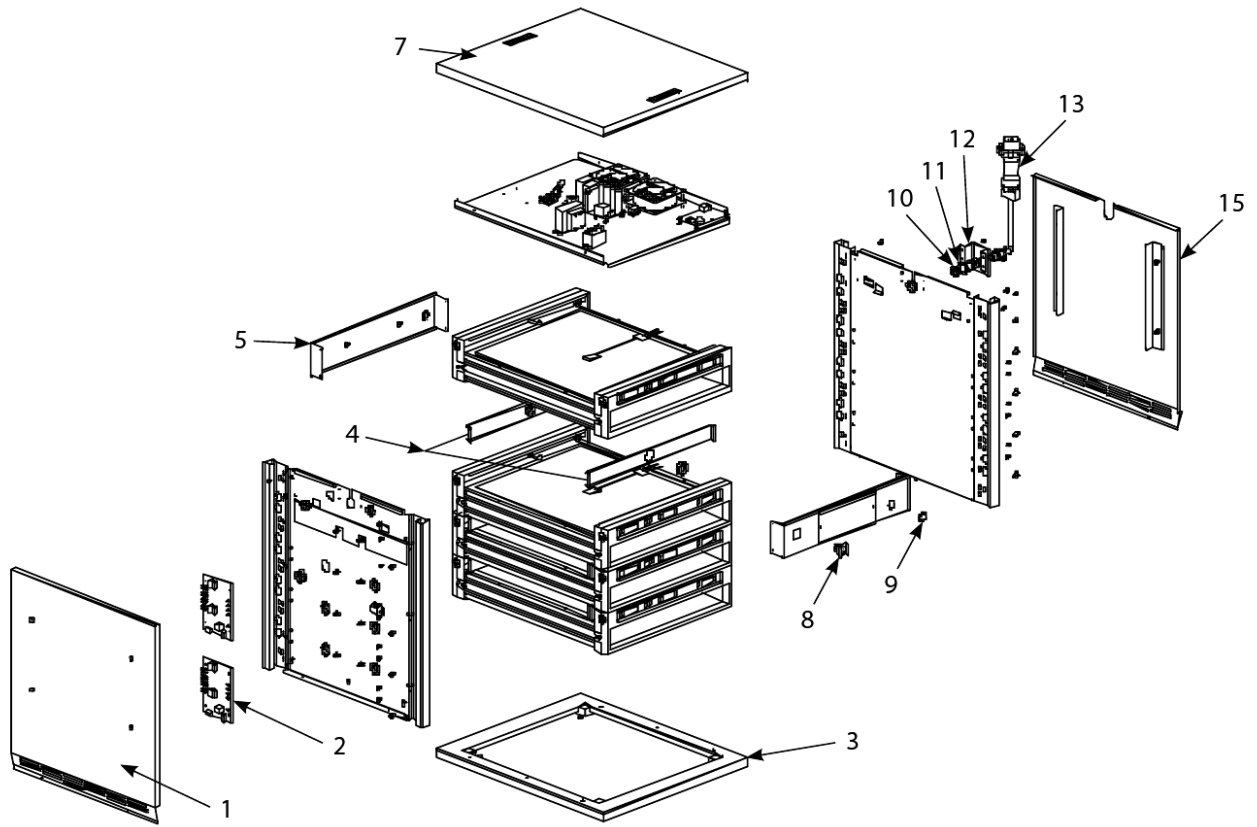


UHC-P & HCP

Cabinet Components



UHC-P & HCP

Cabinet Components

#	PART #	DESCRIPTION	QTY	Note
1	2103659	Left Side Cabinet	1	[1]
1a	2103710	Left Side Cabinet	1	[2]
2	8262644	Distribution board	1	
3	8067904SP	Base	1	[3]
3a	1064549	Base	1	[4]
4	1064571	Bracket Assembly, UHCII Insulator	1	
5	1064225	Rear Fascia Assembly without Menu.	1	[3]
5a	1064547	Rear Fascia Assembly without Menu.	1	[4]
6	8261376	Nut - #10-32 Keps Hex	1	
7	8262225	Top Cap Assembly	1	[3]
7a	1064544SP	Top Cap Assembly	1	[4]
8	8074036	Switch	1	
9	8160634	Communications port cover	1	
10	8090581	Nut, 0.5 NPT Locking	1	
11	8090582	Washer 0.5 NPT Locking	1	
12	2003639	UHC Cordset Bracket	1	
13	8072473	Domestic Cordset	1	
13a	8073238	Strain Relief	1	
14	8072474	Cordset, Twist Lock Power Cord	1	[5]
14a	8074409	Cordset, China	1	[6]
15	9104876	Right Side Cabinet Assembly	1	[1]
15a	9109452	Right Side Cabinet Assembly	1	[2]
16	8072766	Power Line Filter, CE only	1	
17	8262632	Palm Tungsten with UHC-P software	1	
17a	8262945	Palm Tungsten with UHC-P software and Int'l power adapters	1	
17b	1080902	Palm Tungsten with HCP software	1	
17c	8262635	Palm Tungsten with HCP software and Int'l power adapters	1	

This manual covers the UHC-P, the original PDA-programmed cabinet for McDonald's and the HCP or Holdmaster, a similar cabinet made for the general market. UHC-P parts are

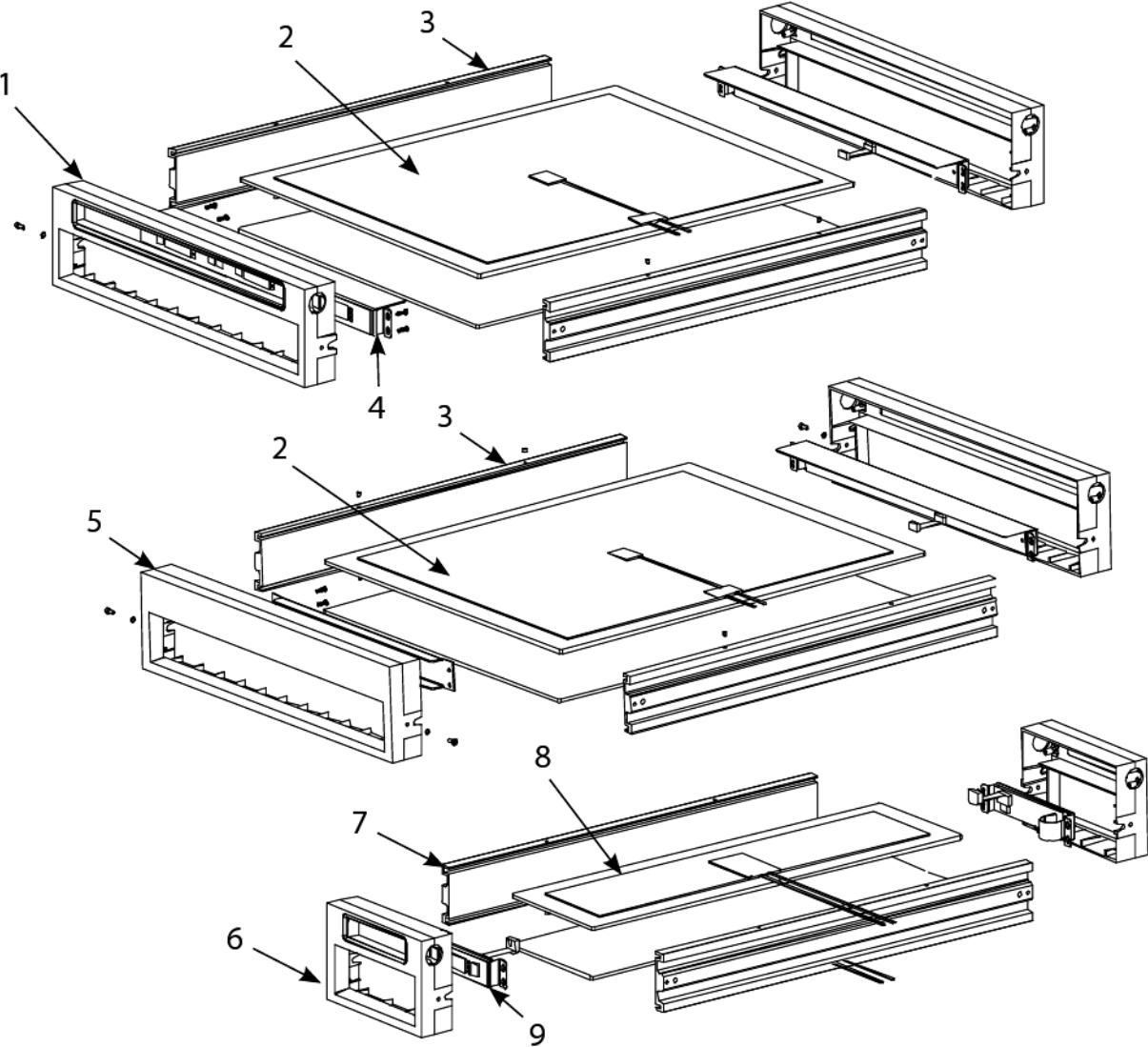
compatible with the HCP, except for the heater plates and bezel.

PART NOTES:

- [1] - 4-Slot & Narrow Models
- [2] - 2-Slot Model
- [3] - 2- & 4-Slot Models
- [4] - Narrow Model
- [5] - HC-P
- [6] - China

UHC-P & HCP

Slot Assembly



Slot Assembly

FRY_P_0033_2_15_Slot Assembly.pdf



UHC-P & HCP

Slot Assembly

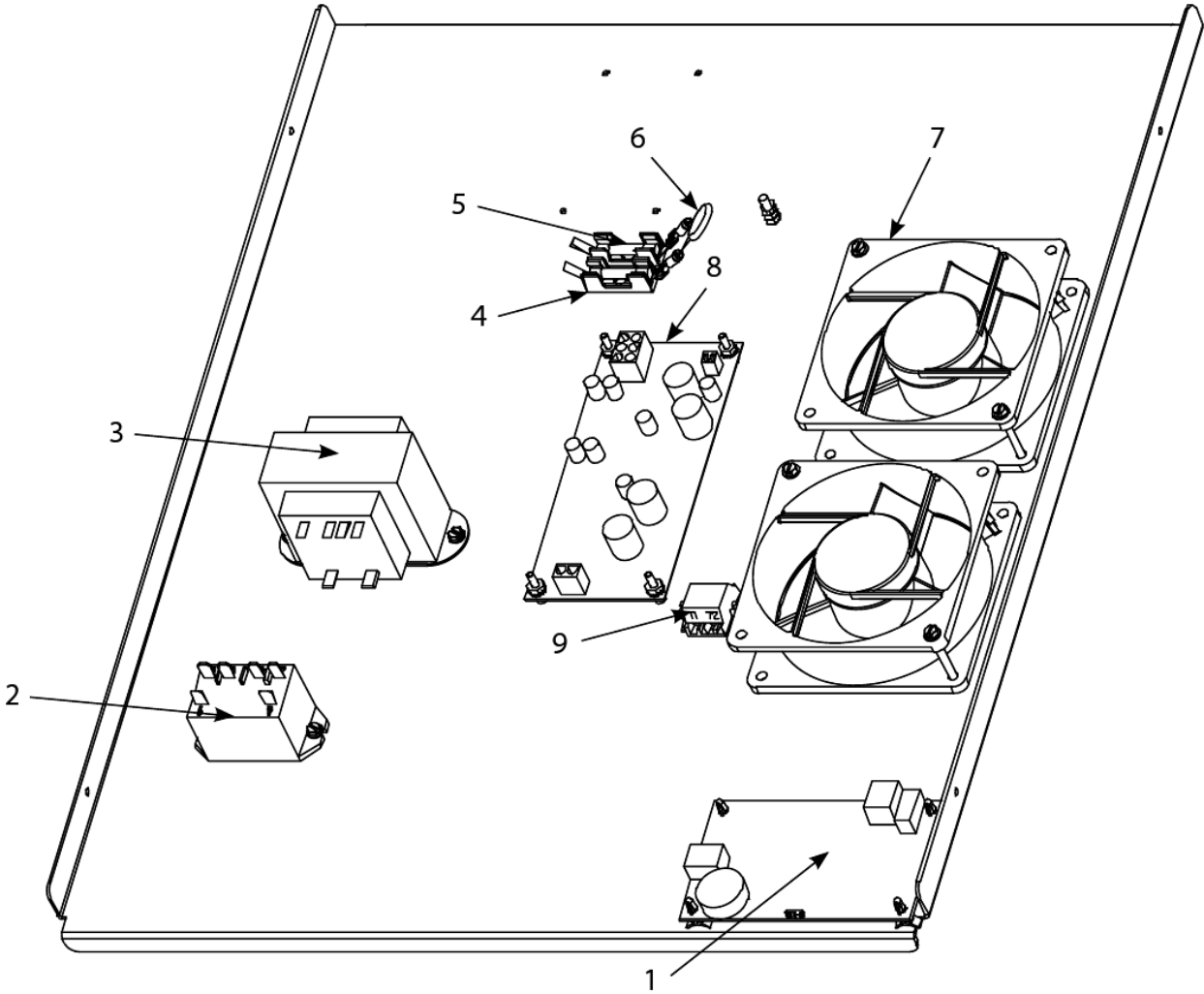
#	PART #	DESCRIPTION	QTY	Note
1	8160584	Bezel	1	
1a	8160714	Bezel, HCP	1	
2	8075251	Heater plate	1	
2a	1066577	Heater plate, HCP	1	
3	8101286	Spacer, extruded	1	
4	8262588	Display	1	
5	8160572	Bezel, Spod	1	
6	8160649	Bezel, narrow	1	
7	8101286	Spacer, extruded	1	
8	8074065	Heater plate, narrow	1	
9	8074681	Display, narrow	1	
10	8030370	Wire Rack for Low-side tray	1	[1]
11	8160727	High-side tray	1	[1]
11a	8160726	Low-side tray	1	[1]
12	1066536	Slot Assembly	1	
12a	1066537	Slot Assembly, Spod	1	
12b	1066538	Slot Assembly, Narrow	1	

PART NOTES:

[1] - HCP Non-McDonald's Only

UHC-P & HCP

UHC-P,HCP Component Shelf



UHC-P & HCP

UHC-P,HCP Component Shelf

#	PART #	DESCRIPTION	QTY	Note
1	8262590	Board, UHC-P/HCP Communications Board	1	
2	8073490	Latching relay	1	
3	8074024	Transformer, 208-240/12V 60VA	1	
4	8072820	Fuse Block	1	
5	8072819	Fuse, 20A	1	
6	8121306	Metal Oxide Varistor	1	
7	8072665	Blower	1	
8	1069516	Power Supply	1	
9	8101164	Block, One-Piece Screwless Terminal	1	
10	8074071	Ribbon Cable, Communications for UCH-P/HCP	1	[1]
10a	8073918	Ribbon Cable, Communications for UCH-P/HCP	1	[2]

PART NOTES:

- [1] - 2-Slot Model
- [2] - 4-Slot & Narrow Models