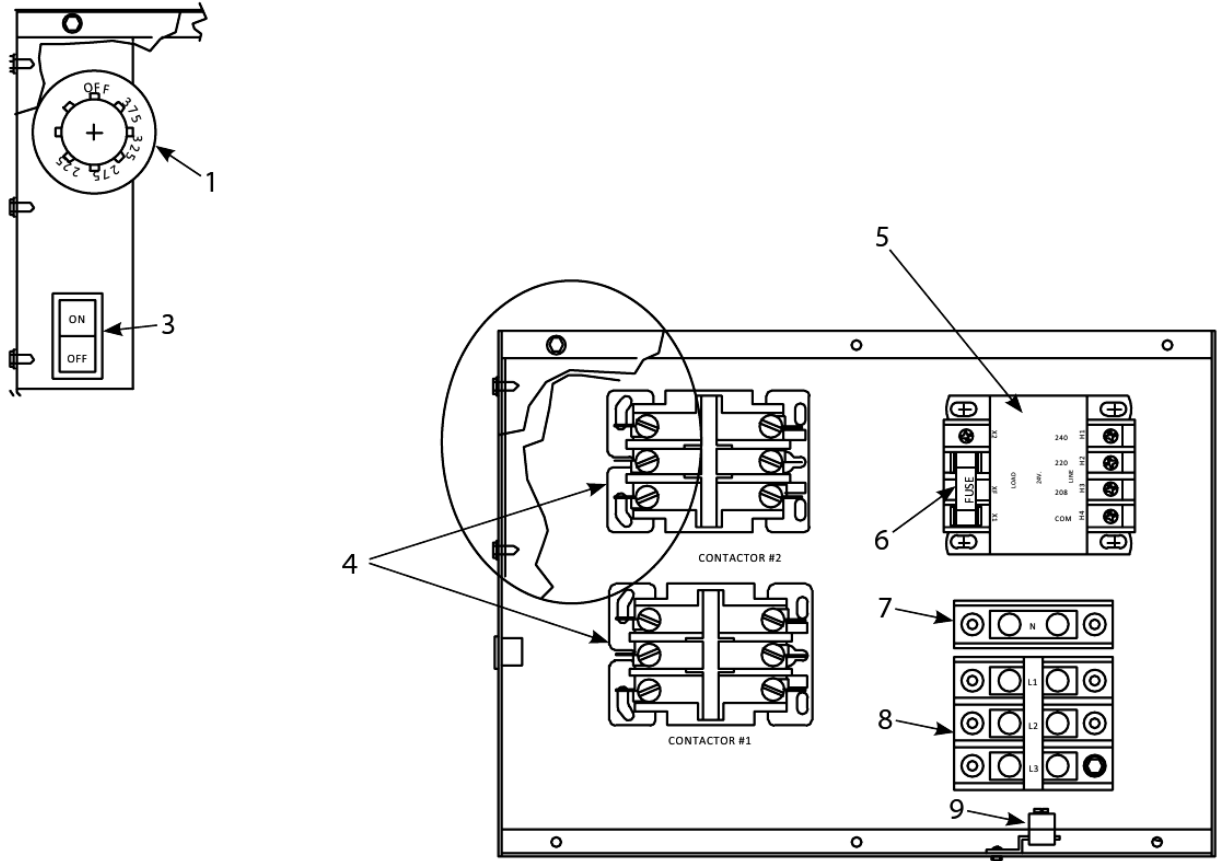


Value-14-17 Electric Fryers

Control, Component Box



Value-14-17 Electric Fryers

Control, Component Box

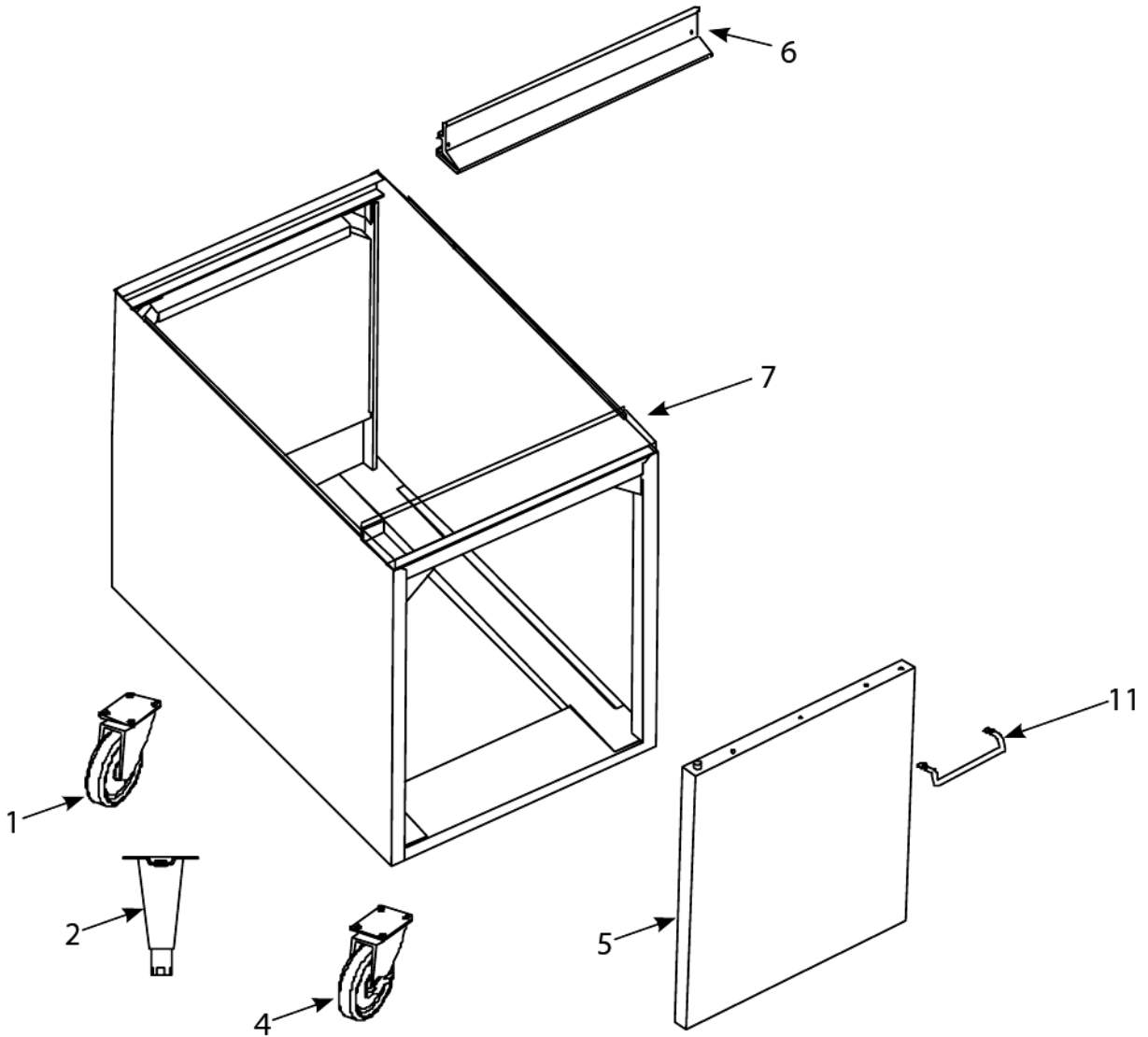
#	PART #	DESCRIPTION	QTY	Note
1	8262014	Operating thermostat	1	
2	8160139	Knob - Thermostat	1	
3	8073498	Switch, On/Off	1	
4	8101202	Contactactor, 24V 40 Amp Mechanical	1	
5	8072180	Transformer - 208-240V/24V 50A	1	
6	8071174	Fuse, 3 AMP, 250V, Slow-Blow	1	
7	8071268	Splicer, Terminal Block Single Pole	1	[1]
8	8070065	Block, Terminal	1	
9	8070070	Terminal, Ground Lug	1	

PART NOTES:

[1] - Neutral

Value-14-17 Electric Fryers

Miscellaneous Parts



Value-14-17 Electric Fryers

Miscellaneous Parts

#	PART #	DESCRIPTION	QTY	Note
1	8100356	Caster without Brake - 5"	1	
2	8103168	Leg - Individual	1	
3	8263320	Leg - 4 Pack	4	
4	8100357	Caster with Brake - 5"	1	
5	8064926	Door Assembly	1	
6	8030028	Hanger AL (obsolete)	1	
7	9104408	Top Cap	1	
8	8070063	Hi-Limit thermostat	1	
9	9101614	Thermostat Guard	1	
10	8066993	Drain Valve, 1-0.25"	1	
11	8100820	Components, Handle, Drain Valve w/o Lock Pin	1	
12	8130188	Drain Nipple, Extended	1	
13	8231775SP	Frypot, V14/17	1	
14	8072645	Heating Element, 240V 8.5 kW/ 220V 7 kW	1	
15	8072641	Heating Element, 220V 8.5 kW	1	
16	8072644	Heating Element, 240V 7 kW	1	
17	8072645	Heating Element, 240V 8.5 kW/ 220V 7 kW	1	
18	8072647	Heating Element, 380V 7 kW	1	
19	8072648	Heating Element, 380V 8.5 kW	1	