



***GARLAND MODEL  
680's CANADIAN MODEL***

**PARTS LIST**

Toll Free Phone, (US & Canada): (800) 427-6668

Toll Free Fax, (US & Canada): (800) 361-7745

<http://www.garland-group.com>



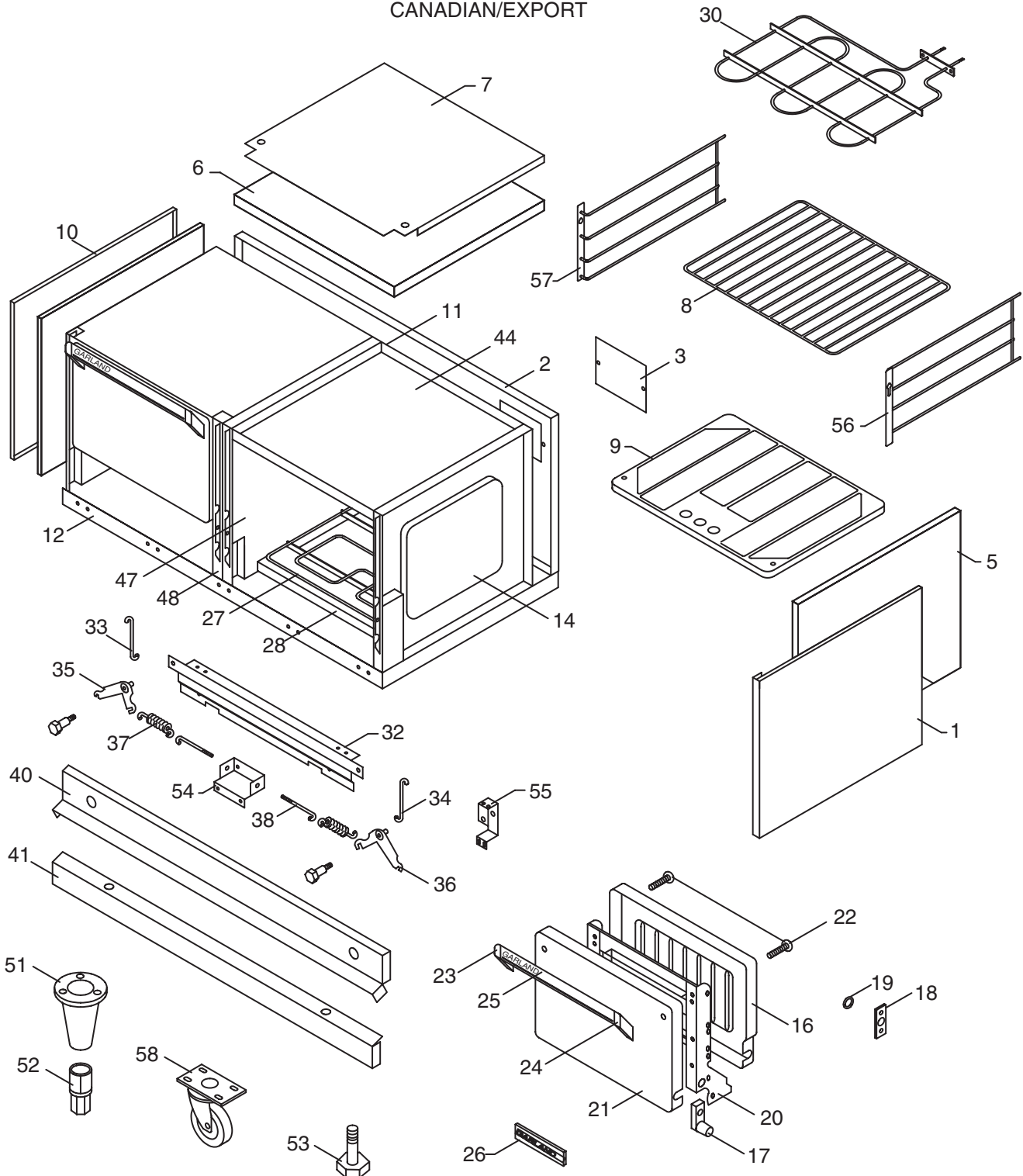


# ***GARLAND MODEL 680's CANADIAN MODEL***

## ***Contents:***

Restaurant Range Ovens Models E684 And E686 .....	Page 4
Restaurant Range Top Sections - Models E686 And E684 .....	Page 8
Revision History.....	Page 12

CANADIAN/EXPORT



Oven Section.dwg  
REV.0

**GARLAND PARTS IDENTIFICATION**  
**Restaurant Range Ovens Models E684 And E686**

ITEM	PART #	DESCRIPTION	MODEL		DATE	
			QUANTITY		FROM	UP TO
			E684	E686		
1	1081102	Body Side R/H H284/7	1			
	1081100	Body Side R/H		1		
2	1527500	Wall Shield 684	1			
	1527502	Wall Shield 36"		1		
3	G0676-1-7	Terminal Cover	1	1		
4*	G01091-01-6	Oven Flue Riser Assembly	2	1		
5	1472200	Side Insulation G280	4	2		
6	1472300	Insulation 28 x 23 x 2 Top	4	2		
7	1392200	Burner Box Bottom H284	2			
	1080915	Burner Box Bottom H286		1		
8	2117000	Oven Rack Chrome	2	1		
9	1438499	Oven Bottom - S680 Sunfire Used From Serial #19390	2	1		
	G0613-01-8	Oven Hearth Plate Assembly Used Up to Serial # 19389	2	1		
10	1081106	Body Side L/H H284/7	1			
	1081107	Body Side L/H		1		
11	2063400	Main Back	1			
	2063500	Main Back		1		
12	1361901	Main Bottom H284	1			
	1361902	Main Bottom H286		1		
13*	G1869-1-7	Insulation Bottom	2	1		
14	1080584	Oven Side Liner Assembly LT Enam	2	1		
15*	1364200	Main Back Stiffener	2	2		
16	1439796	Oven Door Lining Enamelled	2	1		
17	1082500	Oven Door Trunion	4	2		
18	1083001	Trunion Support	4	2		
19	1082700	Harness Ring 7GA.	4	2		
20	G03984-03-8	Oven Door Insert Assembly	2	1		
21	1080714	Oven Door Panel - SS	2	1		
22	1594300	1/4-20X1 1/4 HEX WSH RLL SCRW				
23	9003701	Handle L/H	2	1		
24	9003700	Handle R/H	2	1		
25	1589100	Extruded Handle Bar 24 3/8"	2	1		
26	1902918	Nameplate - GARLAND 7 3/4	2	1		
27	<b>G01042-1</b>	<b>Element Lower 208V, 4.1KW</b> <b>From Serial #11796</b>	2	1		
	<b>G01042-2</b>	<b>Element Lower 240V, 4.1KW</b> <b>From Serial #11796</b>	2	1		
	<b>G1862A1</b>	<b>Element Lower Oven 208V</b> <b>Up to Serial #11795</b>	2	1		
	<b>G1862A2</b>	<b>Element Lower Oven O/S 240V</b> <b>Up to Serial #11795</b>	2	1		
28	2063300	Oven Bottom Lining	2	1		
29*	<b>F302</b>	<b>Element Hold Down Clip</b>	12	6		

\* NOT ILLUSTRATED

**RECOMMENDED STOCK PARTS**

**GARLAND PARTS IDENTIFICATION**  
**Restaurant Range Ovens Models E684 And E686**

ITEM	PART #	DESCRIPTION	MODEL		DATE	
			QUANTITY		FROM	UP TO
			E684	E686		
30	<i>G01043-1</i>	<i>Element Upper 208V, 750W From Serial #11796</i>	2	1		
	<i>G01043-2</i>	<i>Element Upper 240V, 750W From Serial #11796</i>	2	1		
	<i>G1863A1</i>	<i>Element Upper Oven 208V Up to Serial #11795</i>	2	1		
	<i>G1863A2</i>	<i>Element Upper Oven 240V Up to Serial #11795</i>	2	1		
31*	G1314-1-6	Element Bus Bar	4	2		
32	1528800	Front Frame Lower Support	2	1	1988	
	1082001	Lower Front Plate	2	1		1988
33	1082803	Oven Door Hinge Link LT	2	1		
34	1082802	Oven Door Hinge Link RT	2	1		
35	1082198	L/H Bell Crank Assembly	2	1		
36	1082199	R/H Bell Crank Assembly	2	1		
37	1005800	Door Spring	4	2		
38	9004701	Oven Door Spring Hook	4	2		
39*	1528800	Front Frame Lower Support	2	1		
40	1374007	Kick Panel Upper 60"	1		1988	
	1374003	Kick Panel Upper S/S 30"		1	1988	
41	1374113	Kick Panel Lower	1		1988	
	1374111	Kick Panel Lower - 30"		1	1988	
	G6077-1-9	Lower Front Panel (One Piece)	2	1		1988
42*	1374500	Upper Kick Panel Support Bracket	2	2		
43*	1373900	Lower Kick Panel Support	2	2		
44	1005295	Oven top Liner GCE H286	2	1		
45*	2063200	Oven Back Lining GCE	2	1		
46*	G2207-1-6	Oven Bottom Filler	4	2		
47	1080585	Oven Side Liner Assembly RT Eanm	2	1		
48	1730297	Front Frame Assy H284	2			
	1730397	Front Frame Assembly H286		1		
49*	1081505	Centre Column	1			
50*	1361812	Bottom Channel - H284	2			
	1361810	Bottom Channel - H286		2		
51	1027600	Leg Retainer 6" (Std.)	4	4		
	2093800	Leg Retainer 4" (Opt.)	4	4		
52	1150502	Bullet Legs	4	4		
53	F445	Leg Screw #14BX5/8"	12	12		
54	2301300	Door Spring Support	2	1		
55	1386100	Bell Crank Support	4	1		
56	2297700	Oven Rack Slide Assy RH NLA	2	2		
57	2297701	Oven Rack Slide Assy LH N:A	2	2		
58	1027800	Caster w/o Brake	2	2		Dec-10-04
	4519432	Swivel Casters	2	2	Dec-10-04	
	1027801	Caster w/Brake	2	2		Dec-10-04
	4519433	Swivel Caster With Brake	2	2	Dec-10-04	

\* NOT ILLUSTRATED

**RECOMMENDED STOCK PARTS**

# ***NOTES***





**GARLAND PARTS IDENTIFICATION**  
**Restaurant Range Top Sections - Models E686 And E684**

ITEM	PART #	DESCRIPTION	MODEL						
			QUANTITY						
			684	686	HOT/TOP PER SECTION	GRIDDLE SECTION			12" OPEN TOPS / SECTION
12"	24"	36"							
1	G2595-1-91	Backguard Bracket R/H	1	1					
2	G0399-1-9	Backguard Front Specify Model	1			1	1	1	
	G0400-1-9	Backguard Front Specify Model		1		1	1	1	
3	G2597-60-7	Backguard Back Standard	1						
	G2597-36-7	Backguard Back Standard		1					
4	G2595-1-92	Backguard Bracket L/H	1	1					
5	G03277-01-8	Hot Top Assembly (From Serial # 32004)			1				
	G0424-01-8	Hot Plate Assembly (Up to serial # 32003)			1				
6	G03237-1	Element 208V-1675 W (From Serial # 32004 )							
	G03237-2	Element 240V-1675 W (From Serial # 32004 )							
	1102103	Hot Top Element 208 (Up to serial # 32003)							
	1102104	Hot Top Element 240 (Up to serial # 32003)							
7*	G0437-1-9	Element Clamp (Up to serial # 32003)							
8	G0427-1-8	Back Hot Plate			1				
9A	<b>2195000</b>	<b>8" Surface Element 208V (2.1Kw)</b>							1
	<b>2195001</b>	<b>8" Surface Element 240V (2.1Kw)</b>							
9B	<b>2602399</b>	<b>8" Ring Assembly</b>							1
9C	<b>2195300</b>	<b>8" Pan Reflector</b>							1
9D	<b>2195800</b>	<b>Split Terminal Block (Small)</b>							1
9E	<b>2627700</b>	<b>Terminal Block Clip</b>							2
10A*	<b>2195100</b>	<b>6 1/2" Surface Element 208V</b>							1
	<b>2195101</b>	<b>6 1/2" Surface Element 240V</b>							
10B*	<b>2602499</b>	<b>6 1/2" Ring Assembly</b>							
10C*	<b>2195200</b>	<b>Reflector Pans 6-1/2"</b>							1
14	G0414-1-9	Insert Top 2 Hole	1	1					
	G1865-01-9	Insert Top Assembly 4 Hole	1	1					
	G1864-01-9	Insert Top Assembly 6 Hole	1	1					
16	<b>G01280-3-7</b>	<b>Terminal Block Channel 3 LUG Domestic NLA</b>		1	1				
17	<b>G01268-1</b>	<b>Terminal Block #824 Export NLA</b>		1	1				
18	<b>G01268-2</b>	<b>Terminal Block End #830 NLA</b>							
19	G0636-1-7	Cable Anchor	1						
	G0636-2-7	Cable Anchor		1					
20	G01499-1	Ground Terminal 105A Large SLU-70	1	1					
21*	G01356-1-8	Terminal Guard		1					
	G01356-2-8	Terminal Guard	1						
	G01356-3-8	Terminal Guard	1						
22	G0411-1-7	Wire Support	1	1					
23	G0402-60-7	Back Top 60"	1						
	G0401-36-7	Back Top 36"		1					
24	G01487-2	Heyco Bush. 13/8 x17/8 #2300	3	2					
25	G0410-1-7	Burner Box Back	1						
	G0409-1-7	Burner Box Back		1					
26*	G1893-1-7	Burner Box Side Baffle	2	2					
27	G6524-1-8	Burner Box Side	2	2					
28	G6524-1-9	Burner Box Side S/S	2	2					
29	1685301	Drip Tray Handle 23 15/16	2	1					
30	G1890-01-8	Drip Tray Assembly 24"	2	1					
31	G1895-01-7	Switch Guard Assembly	2	1					
32	G1891-01-7	Switch Guard Assembly	2	1					
33	<b>G03185-2</b>	<b>Infinite Switch-240 Volt</b>			2				2

\* NOT ILLUSTRATED

**RECOMMENDED STOCK PARTS**

## GARLAND PARTS IDENTIFICATION

### Restaurant Range Top Sections - Models E686 And E684

ITEM	PART #	DESCRIPTION	MODEL						
			QUANTITY						
			684	686	HOT/TOP PER SECTION	GRIDDLE SECTION			12" OPEN TOPS / SECTION
12"	24"	36"							
34	<b>G2674-1</b>	<b>Thermostat G1 150F TO 450F</b>				1	2	3	
35	<b>G02716-1</b>	<b>Dial - (Universal) Small Shaft</b>			2	1	2	3	2
36	<b>G02725-4</b>	<b>Dial Insert (OFF/MIN/2-6/MAX)</b>			2				2
	<b>G02725-19</b>	<b>Dial Insert (OFF/100F/450F) Griddle F</b>				1	2	3	
	<b>G02725-17</b>	<b>Dial Insert (OFF/150F/550F) Oven F</b>	2	1					
	<b>G02725-11</b>	<b>Dial Insert (OFF/40C/230C) Griddle Celsius</b>				1	2	3	
	<b>G02725-9</b>	<b>Dial Insert (OFF/65C/290C) Oven Celsius</b>	2	1					
37*	GF138	Capillary Bulb Clamp	4	2					
38	G0515-1	RAC4 Oven Control (Up to Ser.#11796)	2	1					
	G0894-01	Oven Thermostat 150F TO 550F (From Ser. # 11797)	2	1					
39	G01092-?	Switch Panel (Specify Model)	1	1					
	G01096-?	Switch Panel (Specify Model)	1						
40*	G1555-1	Front I.D. Plate	1	1	1	1	1	1	1
41	G01296-2	Pilot Amber	2	1		1	2	3	
42	G1883-02-9	Front Panel Assembly	1						
	G1883-01-9	Front Panel Assembly	1						
43*	G1851-1	Medallion	1	1					
44	1685305	Drip Tray Handle 10 1/8	1	1					
45	G1896-2-6	Drip Chute F/E680 Series	1	1					
46	G2038-1-6	Front Panel Bracket	1	1					
47	G1885-1-8	Circuit Breaker Cover	1						
	G1884-1-8	Circuit Breaker Cover		1					
48*	G2699-5-7	Circuit Breaker Clamp	2						
	G2699-4-7	Circuit Breaker Clamp		2					
49	<b>G01771-1</b>	<b>Circuit Breaker 2 Pole 40 AMP (Domestic)</b>	5	3					
	<b>G01478-1</b>	<b>Circuit Breaker Export</b>	5	3					
50	G1887-01-8	Circuit Breaker Box Assembly	1						
	G1886-01-8	Circuit Breaker Box Assembly		1					
51	1085100	Front Channel H284 – 60"	1						
	1085000	Front Channel H286 – 36"		1					
52	G1882-1-7	Drip Tray Slide	4	2					
53*	G1889-1-8	Front Top Channel Support	2	2					
54	G2068-1-6	Breaker Box Baffle	1	1					
55*	G01509-1-6	Grease Shield	1	1					
55*	G0432-1-7	Terminal Block Guard	1	1					
56	G0405-60-9	Front Top	1						
	G0403-36-9	Front Top		1					
57	1414600	Burner Box Back Support	2	1					
58	G03261-1-6	Element Cover (From Serial #31983)							
	G2725-1-6	Element Cover (Up to Ser.#31982)					1		
	G0420-1-6	Element Cover (Up to Ser.#31982)						1	
	G01585-1-6	Element Cover (Up to Ser.#31982)				1			
59*	G2726-1-6	Element Baffle (Up to Ser.#31982)					1		
	G0421-1-6	Element Baffle (Up to Ser.#31982)						1	
60*	G01586-1-6	Element Baffle (Up to Ser.#31982)				1			
	CK21R-208	Convert 684 To 684-24G Kit 208				1	2	3	
61	G01603-01-7	Grease Chute Assembly				1	1	1	

\* NOT ILLUSTRATED

**RECOMMENDED STOCK PARTS**

**GARLAND PARTS IDENTIFICATION**  
**Restaurant Range Top Sections - Models E686 And E684**

ITEM	PART #	DESCRIPTION	MODEL						
			QUANTITY						
			684	686	HOT/TOP PER SECTION	GRIDDLE SECTION		12" OPEN TOPS / SECTION	
12"	24"	36"							
62	G01884-1-6	Element Clamp (From Serial #31983)							
	G1705-2-9	Element Clamp Long (Up to Ser.#31982)				2	4	6	
	G1858-1-9	Element Clamp (Up to Ser.#31982)				2	4	6	
64	G03262-012-8	Griddle Assly 12" LH 680 (From Ser.# 31983)				1			
	G03263-024-8	Griddle Assembly (From Ser.# 31983)					1		
	G03264-036-8	Griddle Assembly (From Ser.# 31983)						1	
	G01587-012-8	Griddle Assembly (Up to Ser.#31982)				1			
	G2723-024-8	Griddle Assembly 24" (Up to Ser.#31982)					1		
	G0394-036-8	Griddle Assembly (Up to Ser.#31982)						1	
65	<b>G2724-208</b>	<b>Griddle Element (Use From Ser.# 5742 To 31982)</b>							
	<b>G2724-240</b>	<b>Griddle Element (Use From Ser.# 5742 To 31982)</b>							
	<b>G01816-1</b>	<b>Element 208v,3350w Used From 1983 (Ser.# 31983)</b>				1	2	3	
	<b>G01816-2</b>	<b>Element 240v,3350w Used From 1983 (Ser.# 31983)</b>				1	2	3	
	<b>G1713-1</b>	<b>Griddle Element 240v (Up To Ser.# 31982)</b>				1	2	3	
	<b>G1713-2</b>	<b>Griddle Element 208v (Up To Ser.# 31982)</b>				1	2	3	
66*	G01884-1-6	Element Clamp From Serial #31983				2	4	6	
67	G01849-1-6	Bulb Channel From Serial #31983				1	2	3	
68	G01851-01-6	Bulb Clamp Assembly From Serial #31983				1	2	3	
69*	G03270-1-7	Wire Guard From Serial #31983	1	1					
70*	G03276-1-6	Element Clamp (680 H/T)			2				
71	G03275-1-6	Element Baffle (680 H/T)			1				
72	G03274-1-6	Element Cover (680 H/T)			1				

\* NOT ILLUSTRATED

**RECOMMENDED STOCK PARTS**

## GARLAND PARTS IDENTIFICATION

### Revision History

REV. #	PAGE #	ITEM #	NOTE	DATE
3	6	58	New casters introduced - Mounting method and overall height would be the same as the old casters. The only difference is with the diameter of the new wheel. The old casters wheel diameter is (4") new casters is (3.5") in diameter	Jan 24/05
4	6	58	Description Changed Part # 1027800 & 1027802 NLA Deleted	Jan 03/06

# ***NOTES***

## ***NOTES***

# ***NOTES***

