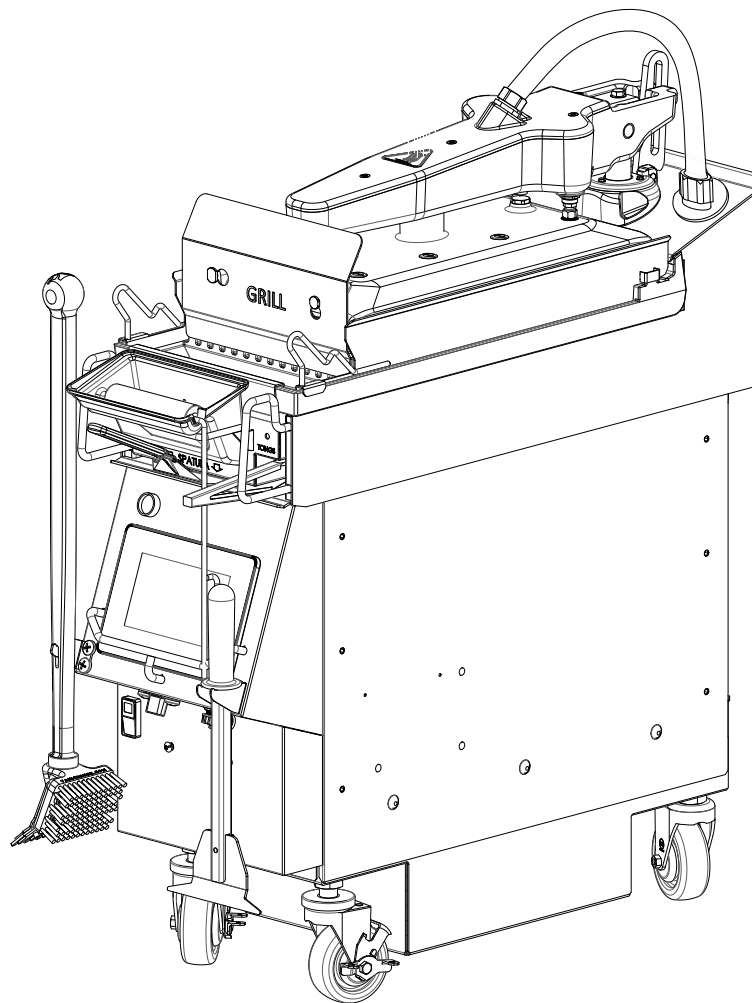


CFA Garland Grill 2.0

Electric Dual Side Clamshell Grill

Parts List Manual

Model:
CXPB12



THIS PAGE INTENTIONALLY LEFT BLANK

Contents

Service Tools ----- **3**

Accessories & Attachments ----- **4**

Platen Arm ----- **5**

Shaft Mechanism ----- **7**

Top Platen ----- **8**



Bottom Grill Box ----- **9**

Electronic Components ----- **11**

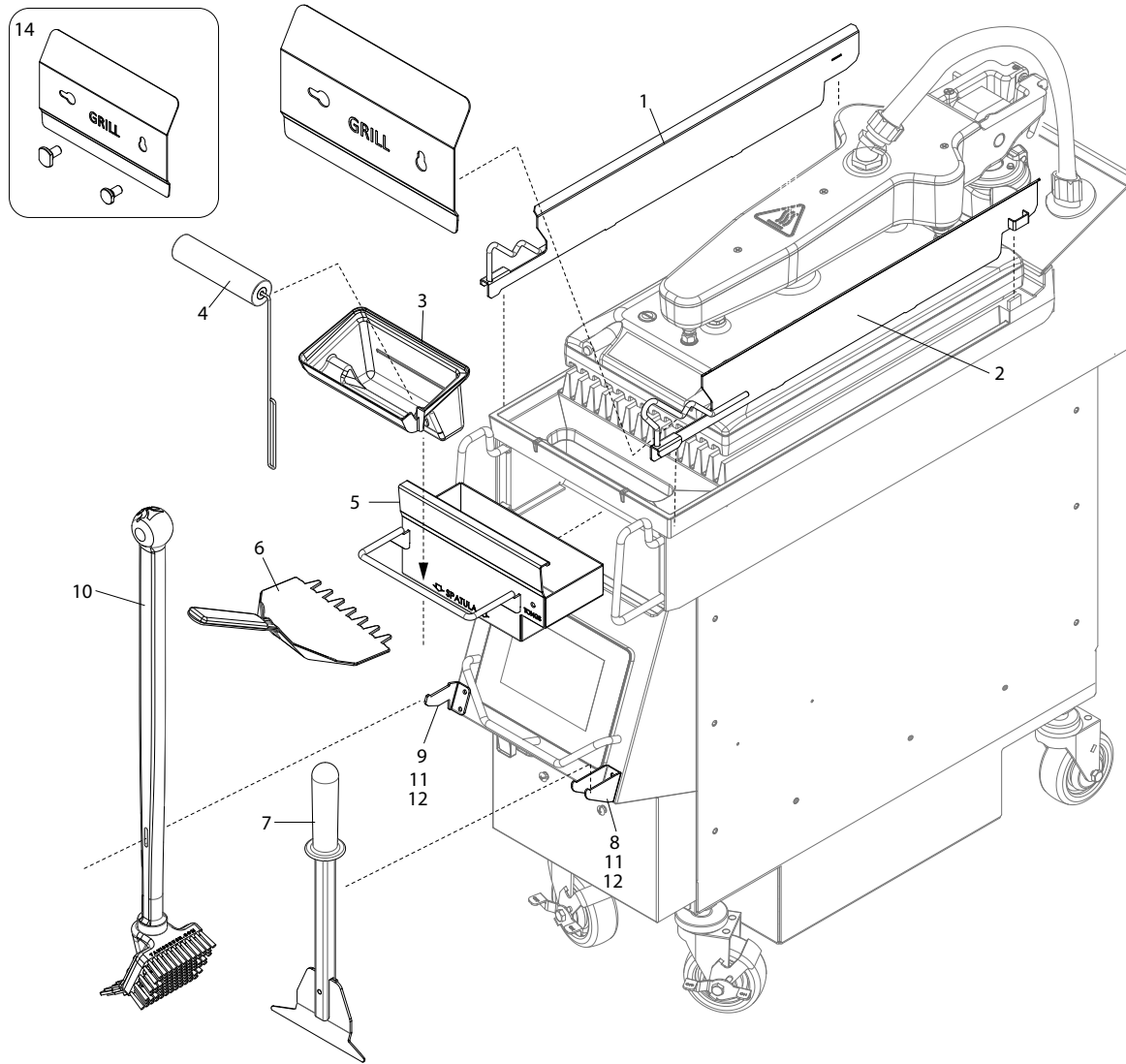
Front Panel ----- **12**

External Parts & Heat Shield ----- **13**

Service Tools

Item#	Part#	Description	Qty	
1	4532089	Service Wrench  4532089 : SERVICE WRENCH	1	
2	1838701	Platen Leveling Tool  1838701	1	

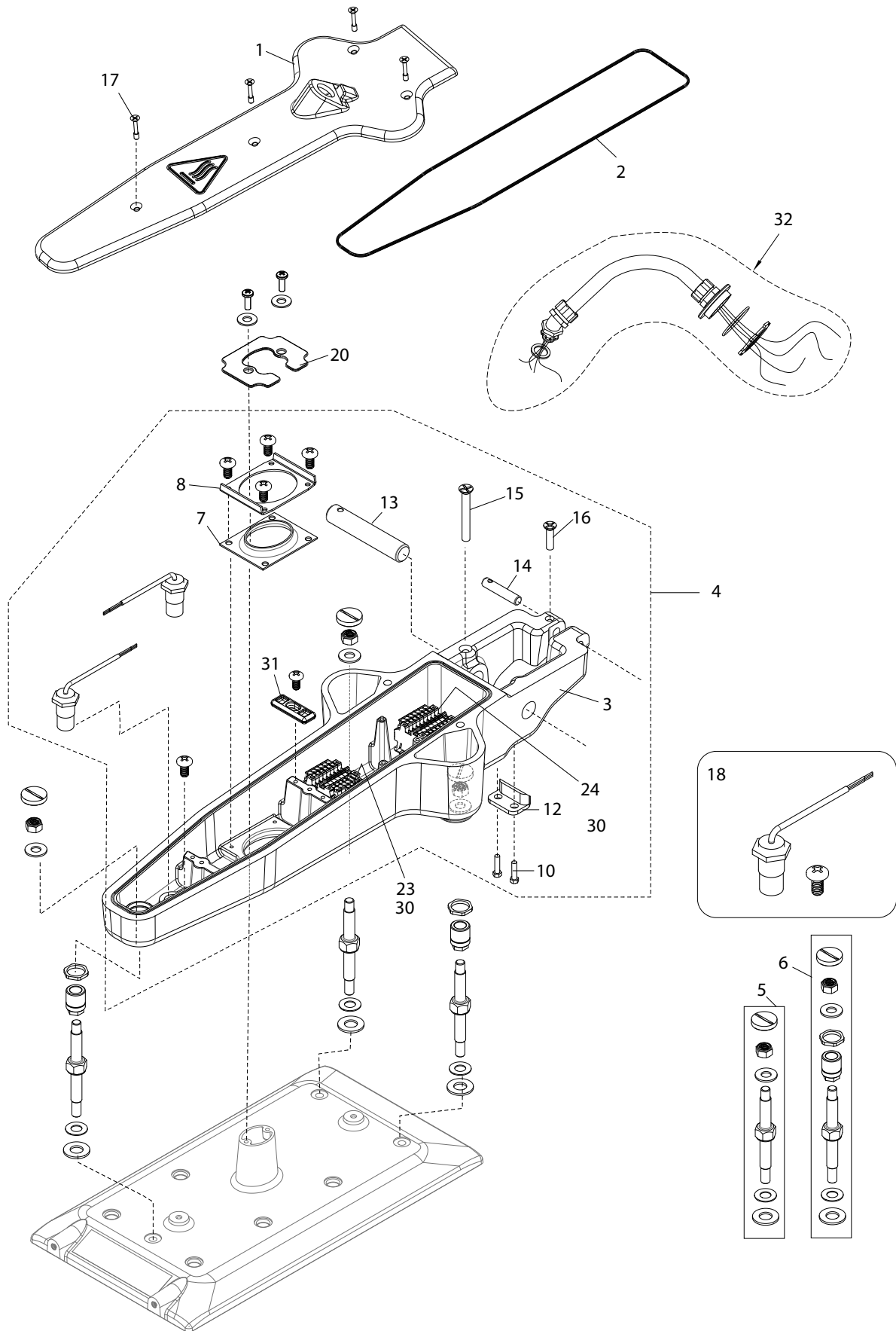
Accessories & Attachments



Item#	Part#	Description	Qty	Critical
1	4602835	Side Skirt, LHS	1	C
2	4602836	Side Skirt, RHS	1	C
3	4602732	Oil Bin	1	
4	4532155	KIT HANDLE & 2 PACK (5 ROLLERS PER PACK)	1	
5	4602773	Grease Drawer	1	C
6	4602894	Nugget Spatula	1	
7	4602837	Detail Tool, CFA	1	
8	4602859	Bracket, Detail Tool	1	
9	4602978	Bracket, Grill Brush	1	
10	4602884	Brush Assembly	1	
11	F298N	#10-24x 3/8 Shoulder Bolt Nickel Plated	4	
12	F600	#10-24 UNC Threaded Hex Inserts	4	
14	4603103	Kit, Front Deflector + Screw LH + Screw RH	1	C

^ Modified + New * Not Illustrated

Platen Arm

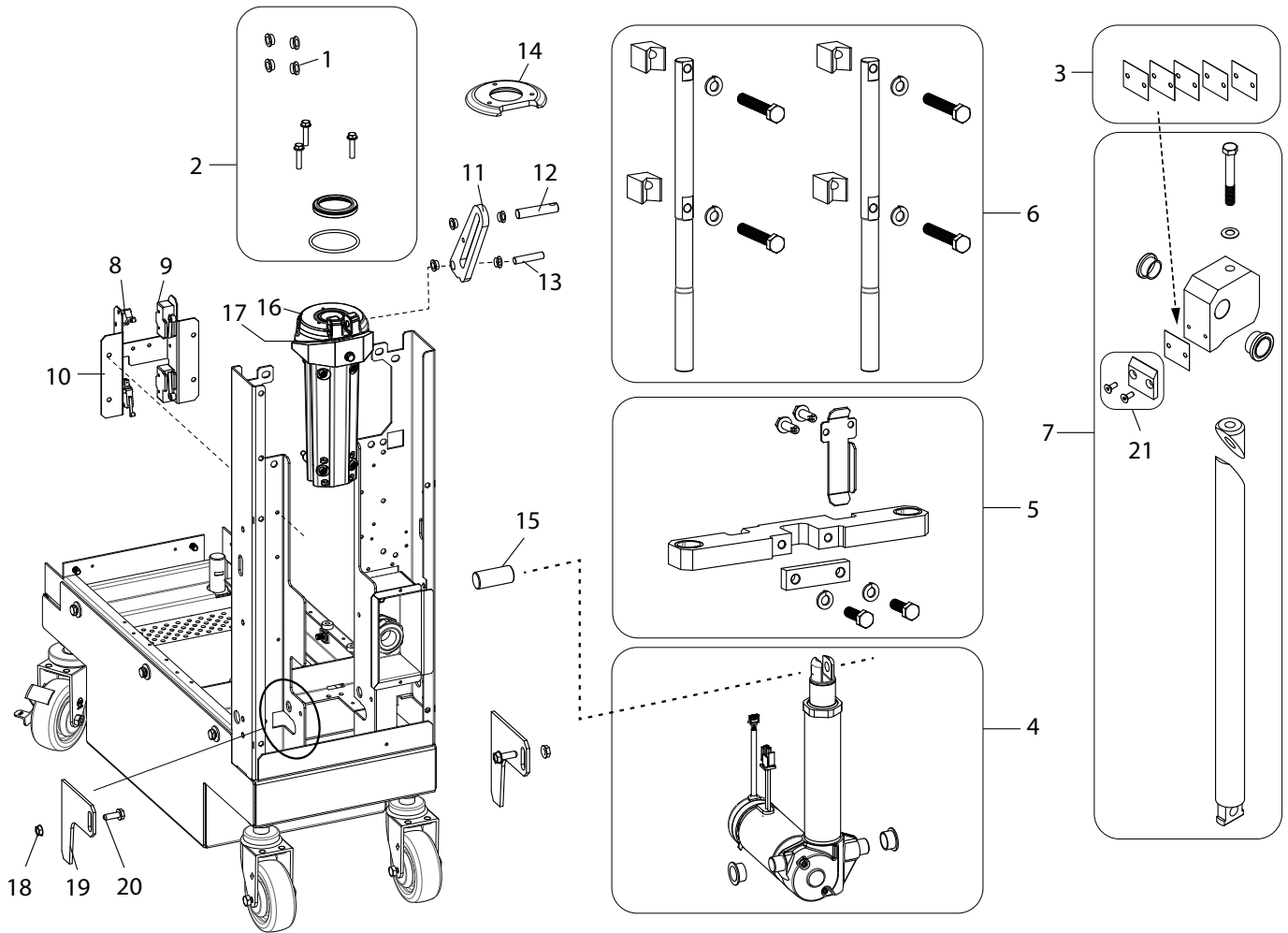


Platen Arm

Item#	Part#	Description	Qty	Critical
1	4602768	Arm Cover, CFA NG	1	C
2	4602683	Seal, CFA NG Arm Cover Service Tip: Ensure the arm seal is not pinched/ twisted.	1	C
3	4602130	Cast Arm with Bushings, CFA	1	C
4	CK4602923	Platen Arm Only, Less Arm Cover & Seal Arm Cover	1	
5	4603112	Kit, Non-Adjustable Shoulder Bolt CFA Service Tip: Torque value for shoulder bolt = 200 in-lb	1	C
6	4603111	Kit, Adjustable Shoulder Bolt CFA Service Tip: Torque value for shoulder bolt = 200 in-lb	2	C
7	4602019	Gasket, Arm Thru Hole (Conning Seal, Silicone)	1	
8	4602018	Restraint, Arm Thru Gasket Aluminized	1	
10	F191	SCREW-1/4-20 x 5/8in HEX HEAD S-S BOLT	2	
12	4600570	Arm Stop Block, Pearl	1	
13	4601756	Main Arm Pin (Pivot Pin), CFA	1	C
14	4602162	Link Pin, Arm	1	C
15	-	Flat Head Screw, 1/4-20 x 1 x 1-N	1	
16	-	Flat Head Screw, 0.164-32 x 0.5 x 0.5-N	1	
17	4603055	Screw, Captive Screw, Arm Cover	4	
18	4600127	Inductive Proximity PWM Sensor Service Tip: Distance between bottom of sensor to bottom of cast arm = 0.525". Gap between sensor and target = 1/4" +/- 1/8"	1	C
20	4602017	Cowl, Restraint	1	
23	4602786	Terminal Block, Low Voltage	1	
24	4602785	Terminal Block, High Voltage	1	
30	F162	SCREW-6-32 X 1/4" PHILLIPS PAN S/S	4	
31	4602992	Wire Cap	1	
32	4603149	Conduit System Kit 45 Deg CFA	1	C

^ Modified + New * Not Illustrated

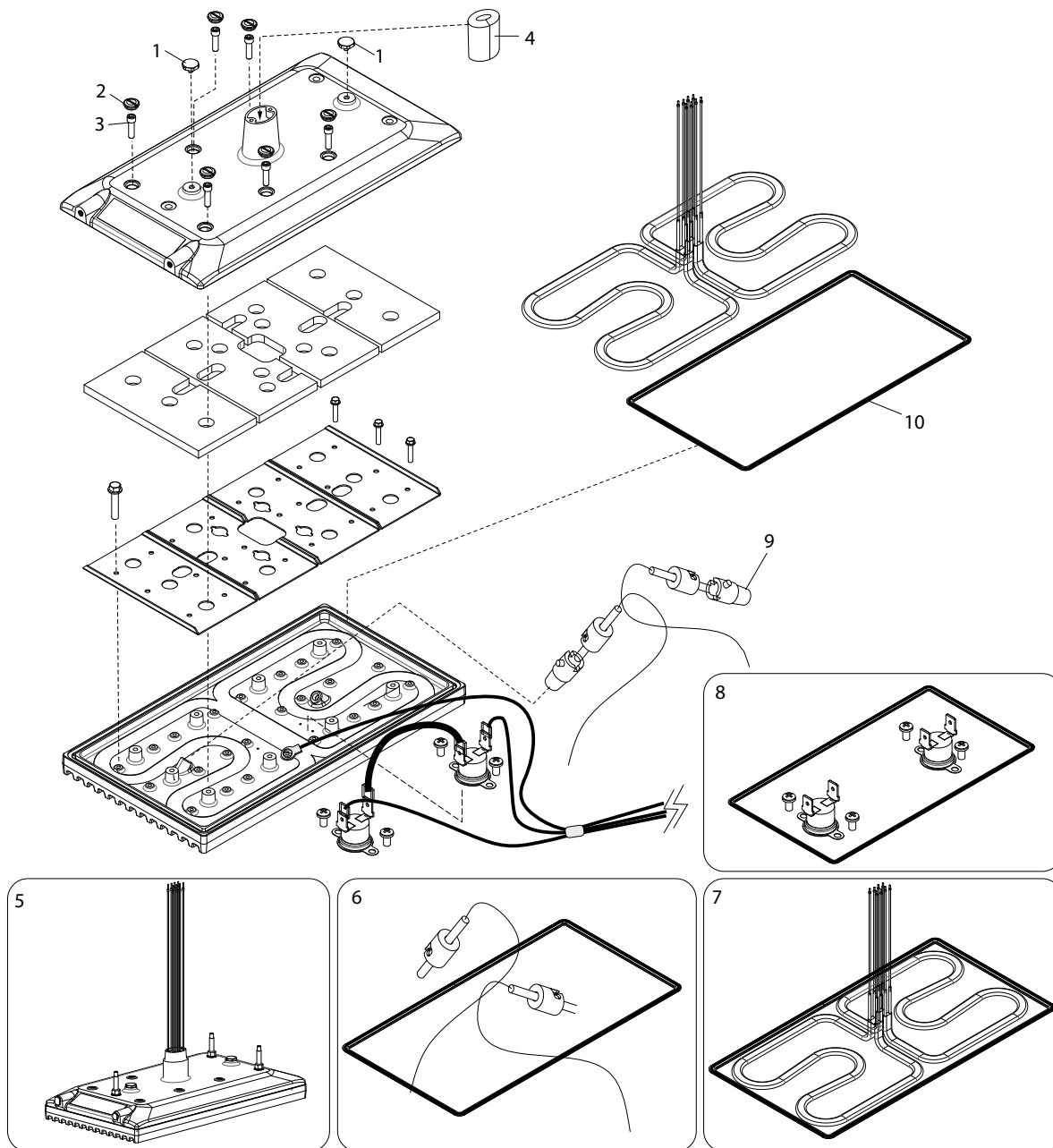
Shaft Mechanism



Item#	Part#	Description	Qty	Critical
1	4532733	Pivot Link Bearing 3/8" x 1/4" FL	1	C
2	4603092	Kit, Shaft Seal (Contents: Bearing Kit (item# 1), Shaft Seal, O-Ring Seal, Screws for Seal Cap. Seal Cap not included)	1	C
3	4603099	Shim Kit (Knuckle)	1	
4	4603098	Kit, Actuator + Bearings	1	C
5	4603096	Kit, Cross-Bar Parts (Contents: Cross-Bar with Bushings, Clamp, Switch Tab, Fasteners)	1	C
6	4603104	Kit, Anti-Rotate Guide Post (Contents: Guide Posts, V Blocks, Fasteners)	1	C
7	4602921	Lift Shaft S/A, CFA GEN2 - Complete Assembly Note: recommended to order Item # 3 - (Shim Kit)	1	C
8	4531930	Microswitch (Overtravel)	2	C
9	4600616	Switch (Snap Action, Short Hinge Roller Lever)	2	C
10	4603113	Kit, Switch Bracket + Fasteners	1	C
11	4601749	2-Inch Link, NG Stinger	1	
12	4602162	Arm Link Pin	1	
13	4600631	Shaft Tube / Link Pin, Pearl	1	
14	4532393	SEAL CAP	1	
15	4602875	Clevis Pin (CFA)	1	
16	4532385	SHAFT GUIDE ASSY with BUSHINGS	1	C
17	4600477	Seal, Shaft Tube to Backsplash	1	
18	F312	LOCK NUT-10-24 K-LOCK STEEL	2	C
19	4532757	ACTUATOR CLAMP BRACKET	2	C
20	F588	SCREW #10-24X1/2" HEX HD TYPE F S.N.#GARL92144	2	C
21	4603109	Kit, Knuckle Wear Pad + Fasteners	1	C

^ Modified + New * Not Illustrated

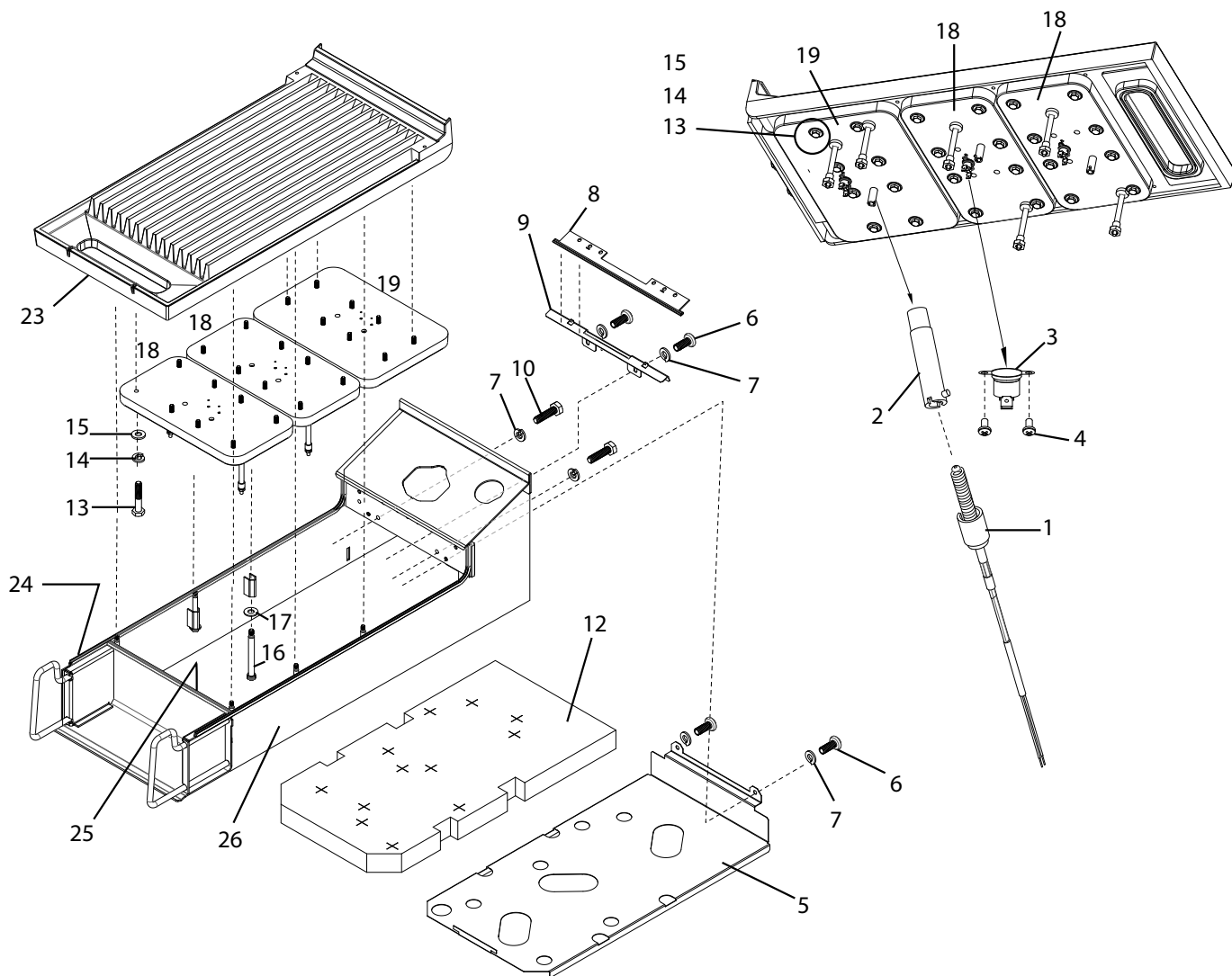
Top Platen



Item#	Part#	Description	Qty	Critical
1	4602667	Sensor Target, NG Stinger Service Tip: Gap between sensor and target = 1/4" +/- 1/8"	2	C
2	4602171	Cowl, Cover Cap	6	
3	F820	SCREW- 5/16"-18X1-1/8' LG HEX SHMS ZPD	6	
4	4602939	Insulation, Coning Tower	1	
5	CK4602041	Top Platen, Incl. Shoulder Bolts & Screws	1	
6	4603106	Kit, Platen Thermocouple (Spring Loaded) + Platen Seal	1	C
7	4603107	Kit, Upper Platen Element + Platen Seal Service Tip: Mark front and back element wires with different colors before installation. For example: Wires from front element, mark with black tapes. Wires from back element, mark with red tapes.	1	C
8	4603108	Kit, THERMOSTAT - SPST (High Limit Switch) + Platen Seal + Fasteners Service Tip: Resistance value measured should be within 0.1 - 0.3 Ohm.	1	C
9	1859402	Grill Plate Bayonet Adapter	2	C
10	4602684	Seal, CFA NG Platen	1	C

^ Modified + New * Not Illustrated

Bottom Grill Box



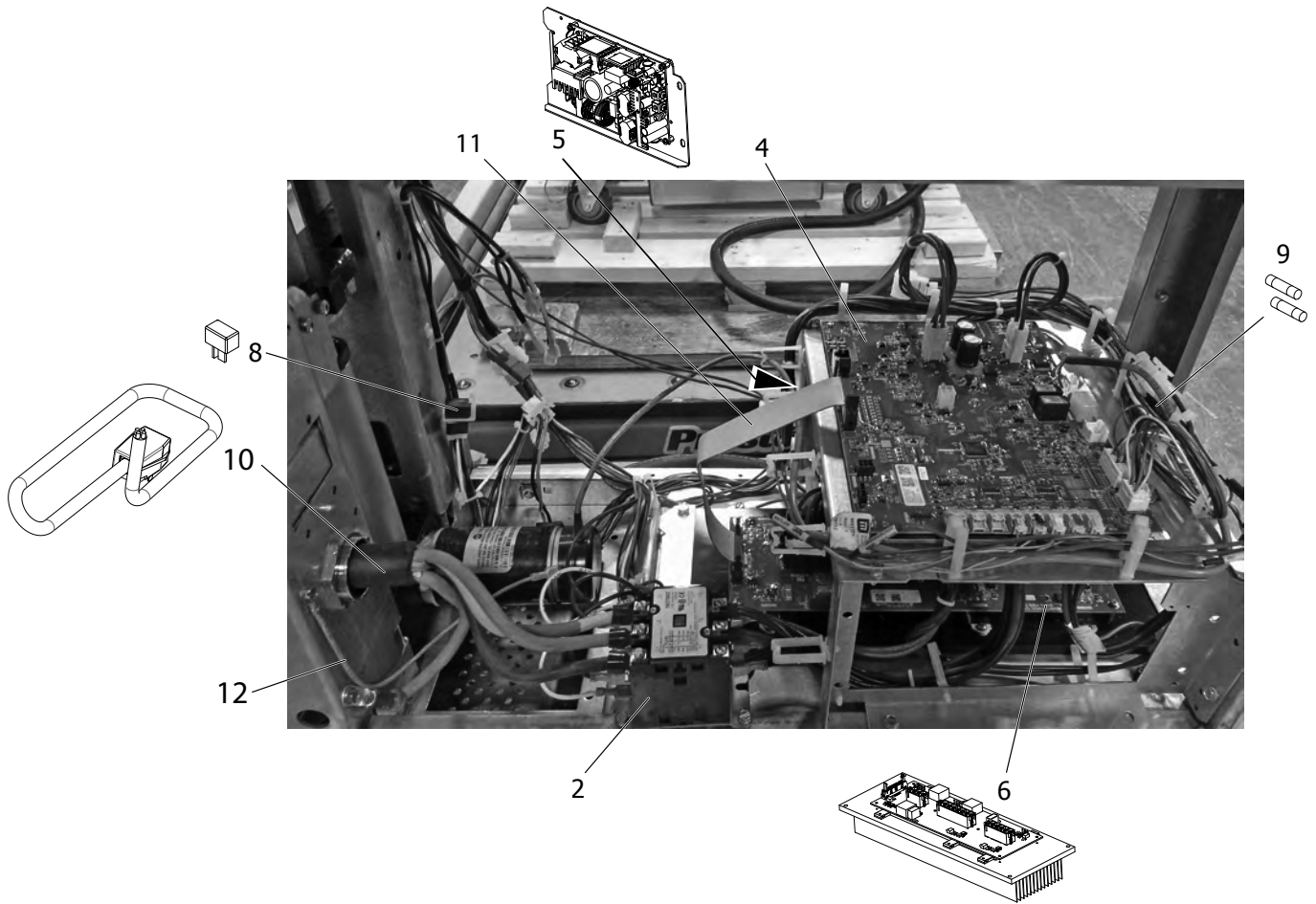
Item#	Part#	Description	Qty	Critical
1	4602696	Thermocouple, Grate Lower, Type K, Bayonet Style	3	C
2	4602691	Grill Plate Bayonet Adaptor, 2" Long	3	C
3	4531977	OT Switch. Service Tip: Resistance value should be within 0.1 - 0.2 Ohm.	3	C
3A*	4562625	HARNES GRILL THERMOSTAT E (not shown) Service Tip: Ensure spade connector is inside female connector and not on the outside held by just the plastic cover.	1	
4	F162	Screw 6-32 X 1/4" Phillips Pan S/S	6	
5	4602701	Pan, Broiler Box Insulation	1	
6	F38	SCREW-1/4-20 X 5/8 INTRUSS HD COMB. Service Tip: torque to 70 in-lb	4	
7	--	Lockwasher, 1/4", Split	6	
8	4602820	Seal, Broiler Box Upper	1	
9	4602823	Clamp, Broiler Box Upper Seal	1	
10	F188	SCREW-1/4-20 X 1IN HEX CAP S/S Service Tip: torque to 100 in-lb	2	
12	4602081	Insulation, Broiler Box	1	
13	F806	BOLT-1/4"-20X1-3/8"LG SS HX HD. Service Tip: (1) follow number sequence engraved on cast heater when tighten bolts (2) torque to 100 in-lb	24	
14	F746	Washer 1/4" HD Split Lock SS .49" OD x .07" Thk M	24	
15	F744	Washer 1/4" 9/16" OD X .05"-.08" Thk SD	24	

Bottom Grill Box (continuation)

Item#	Part#	Description	Qty	Critical
16	F808	Shoulder Bolt, 1/4"-20 X 5/16" D X 2.5" LG. Service Tip: torque to 200 in-lb	6	
17	F807	WASHER-FLAT 5/16" SS	6	
18	4602681	Cast Heater, 1625W. Service Tip: Resistance between terminals, between 24.09 and 26.63 Ohm.	2	C
19	4602682	Cast Heater, 2250W. Service Tip: Resistance between terminals, between 17.39 and 19.23 Ohm.	1	C
23	4602440	Grooved Broiler Plate	1	C
24	4602822	Seal, Broiler Box Side	2	
25	4602821	Seal, Broiler Box Front	1	
26	4602474	BROILER BOX WELDED ASSEMBLY	1	

^ Modified + New * Not Illustrated

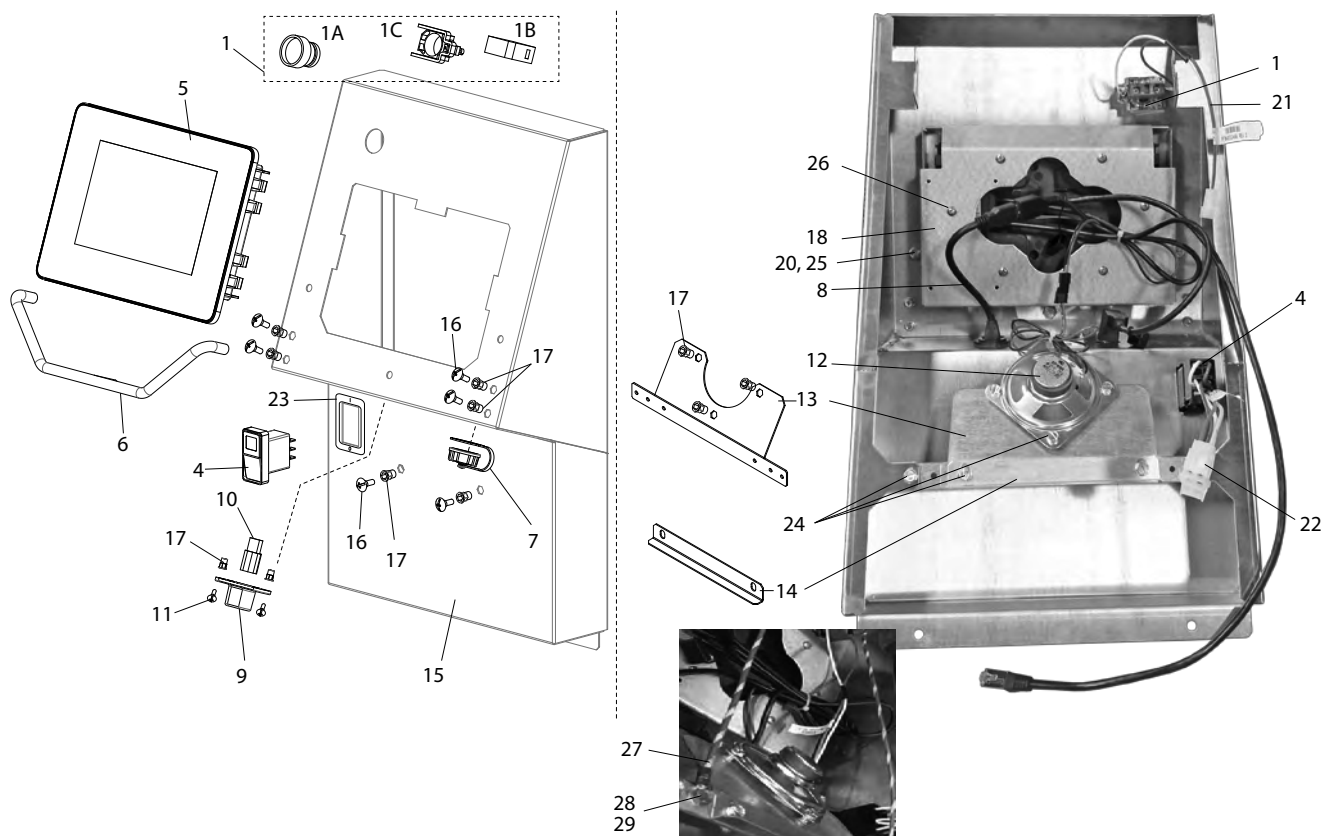
Electronic Components



Item#	Part#	Description	Qty	Critical
2	1637002	Main Contactor 3 Pole 240V Service Tip: Label wordings facing front of chassis.	1	C
4	CK4601832	SIB & Mount Plate Assembly (rev 9 board 4600695)	1	C
5	4600838	POWER SUPPLY 24V DC OMRON (no bracket)	1	C
6	4531775-9	SSRB Heatsink Assembly (rev 9 board)	1	C
8	4531933	Diode - 15A (Main Harness)	2	
9	4600129	Fuse 5.0A (inside fuse holders at front)	2	C
10	4532046-GAR	CFA Power Cord & Plug Assembly Service Tip: When install, ensure that the black jacket is approx. 6 inches away from the ferrule. For reference only: Cable Gland 4602356 M40 x1.5, Lock Nut 4602432 M40x 1.5	1	C
11	4600613	26 Pin Ribbon Cable	1	C
12	4601816	GROUND WIRE ACTUATOR Service Tip: Fastener Install Sequence, #10 tooth washer F120 - wire connector - #10 tooth washer F120 - #10-24 x 1/2 Hex Screw F705	1	

^ Modified + New * Not Illustrated

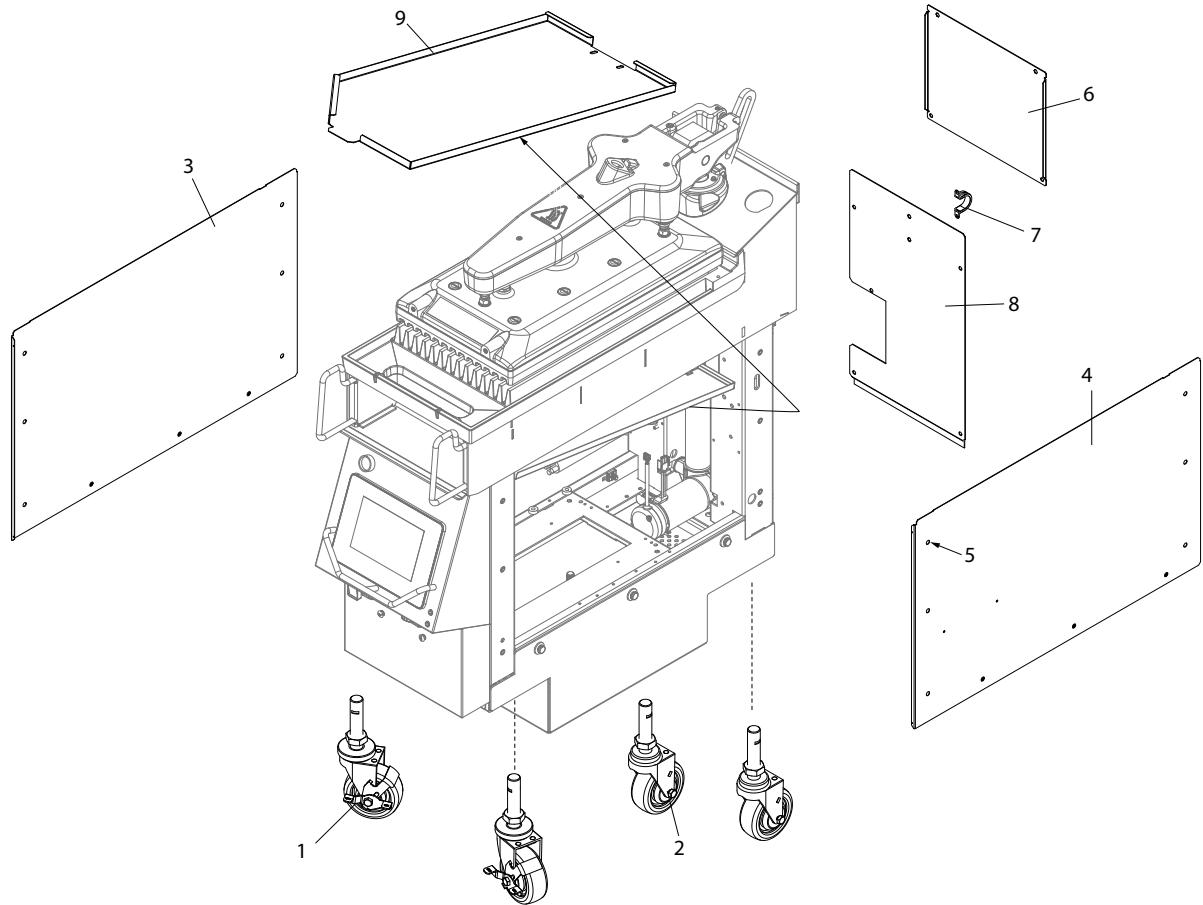
Front Panel



Item#	Part#	Description	Qty	Critical
1	4524675	KIT, GREEN PUSHBUTTON (CANCEL/RAISE)	1	
1A	1859605	Cancel Push Button Green	1	
1B	1859606	Contact Block	1	
1C	1859607	Mounting Latch	1	
4	4600614	Switch, Main Power, with Light	1	C
5	CK4603097	Kit, HRCB+ User Interface, complete with software	1	C
6	4602783	Wire Guard, CFA NG	1	
7	4602868	Cap USB	1	
8	4602867	USB 3.0 Type A Panel Mount	1	
9	4602869	Cover, WiFi Dongle	1	
10	4602870	WiFi Dongle	1	
11	8003128	10-24 x 1/2IN S/S TH PHIL MS	2	
12	4602687	Speaker, 8 Ohm, 1W	1	C
13	4601900	Bracket, Speaker, CFA	1	
14	4602860	Rest Bracket, Control Panel	1	
15	4602151	Control Panel, NG	1	
16	F298N	#10-24x 3/8 Shoulder Bolt Nickel Plated	6	
17	F600	#10-24 UNC Threaded Hex Inserts	8	
18	4602641	UI Backing Plate	1	
20	F191	Machine screws for Display Wire Guard #6	3	
21	4532486	HARNESS PUSH BUTTON GRN	1	
22	4532463	Harness Power Switch	1	
23	4523360	Sticker, ON / OFF, LARGE	1	
24	F588	SCREW #10-24X1/2" HEX HD TYPE F S.N.#GARL92144	2	
25	F255	LOCKWASHER-1/4 S/S SPLIT	3	
26	F798	SCREW - #8X3/8 THREAD CUTTING FOR PLASTIC	6	
27	4600142	Ground Wire, Front Panel (not shown)	2	
28	F705	#10-24X1/2 Green Screw	2	
29	F120	#10 Tooth Washer for F705 (item 28)	4	

△ Modified + New * Not Illustrated

External Parts & Heat Shield



Item#	Part#	Description	Qty	Critical
1	4602571	Caster Swivel 7/8 Stem, With Brake, No Swivel Lock	2	C
2	4602572	Caster Rigid, 7/8 Stem, No Brake	2	C
3	4602791	Body Side, LHS	1	C
4	4602792	Body Side, RHS	1	C
5	8003128	Screw, 10-24 X 1/2IN S/S TH PHIL MS	12	
6	4602793	Panel, Upper Rear	1	
7	4531950	U Clamp S/S, Dia 1.125" Power Cord	1	
8	4602794	Panel, Rear Lower, CFA	1	
9	4602880	Pan, Broiler Box Condensate	1	

^ Modified + New * Not Illustrated

