



H/P-280
SERIES RANGES

PARTS LIST

Toll Free Phone, (US & Canada): (800) 427-6668

Toll Free Fax, (US & Canada): (800) 361-7745

<http://www.garland-group.com>



H/P-280 SERIES RANGES

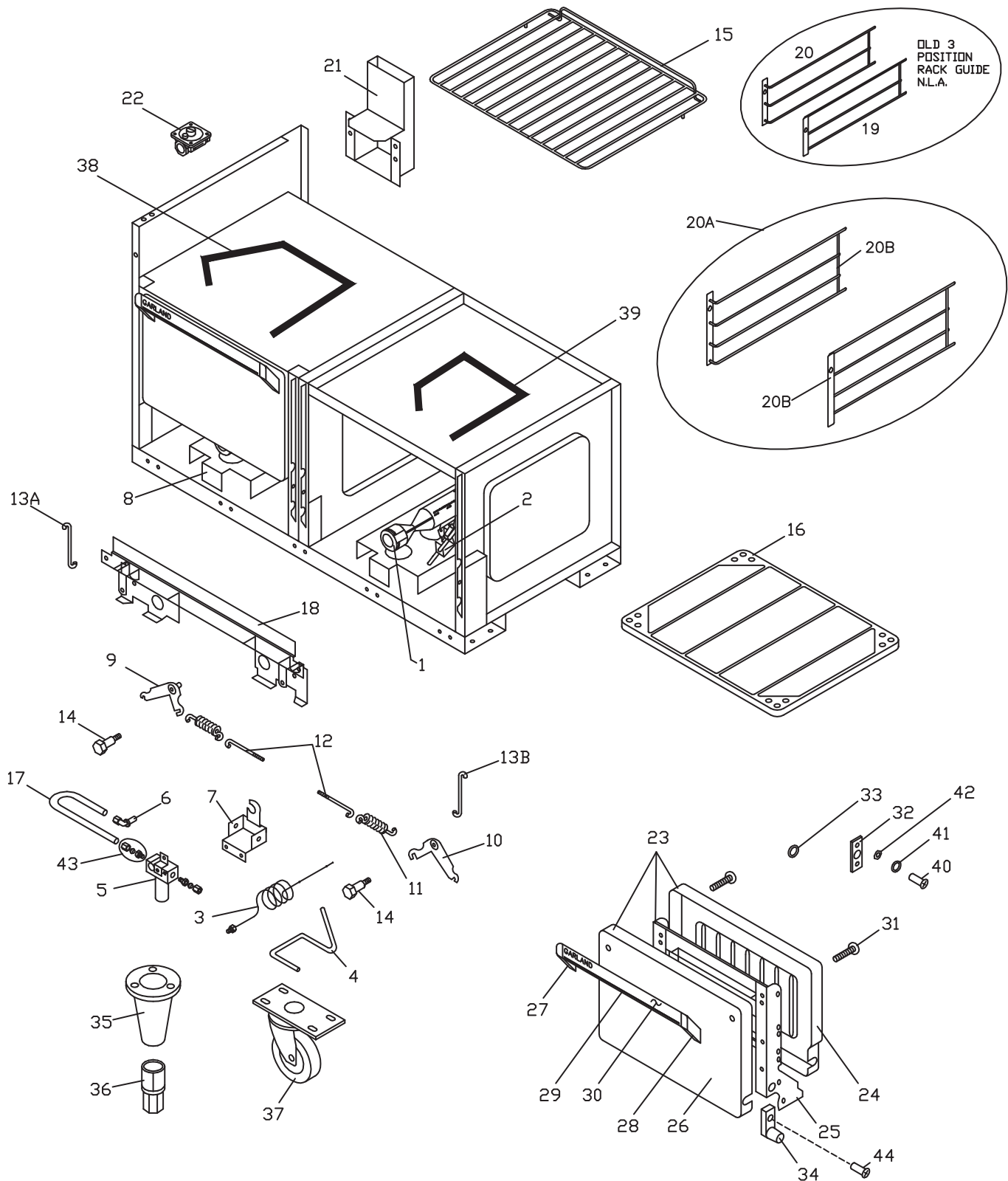
Contents:

SECTION ONE (Covers units with the serial numbers that have four digits on the end of the serial number i.e. 9904GR5432)

Standard Oven	Page 4
RC Oven Section	Page 8
Open Top Section	Page 12
Hot Top Section	Page 14
Raised Griddle/Broiler Section	Page 16
Valve Control Griddle Section	Page 20
Thermostatically Controlled Griddle Section	Page 22
Exterior Finish	Page 24
Backguard & Hi Shelf Section	Page 26
Appendix	Page 28

SECTION TWO (Covers units with the serial numbers ending with three digits and a "R" on the end of the serial number i.e. 9904GR543R)

H280 Series Oven Section.....	Page 30
H280 Series Surface Plate Section	Page 34
Raised Griddle/Broiler Section	Page 38
Drip Pan and Drip Pan Handles.....	Page 41
H280 Motor, RC Oven Parts Up to Serial Number 0204RG121R	Page 42
H280 Motor, RC Oven Parts From Serial Number 0204RG121R	Page 43
Baso Oven Safety Valve Components.....	Page 44
Photos	Page 45
Revision History	Page 50



HP280 Standard Oven.dwg

GARLAND PARTS IDENTIFICATION

Standard Oven

HP-280 Series Parts

ITEM	PART #	DESCRIPTION	QUANTITY		CRITICAL
			SPACE SAVER	STD	
			20"	26"	
1	1028197	<i>Steel Burner Assembly Tubular burner Shape Up to Nov./97</i>	1	1	C
	2298300	<i>Steel U Burner H280 March 94/Canada Only (U Burner Shape)</i>	1	1	C
2^	1028299	<i>Pilot Burner Assembly Natural Used Up To Nov. 1/97</i>	1	1	C
	1415300	<i>2C-2 Pilot Natural Used From Nov. 1/97</i>	1	1	C
	1028298	<i>Pilot Burner Assembly LP Used Up To Nov. 1/97</i>	1	1	C
	1415301	<i>2C-2 Pilot Propane Used From Nov. 1/97</i>	1	1	C
	1028206	<i>Pilot Orifice Natural (.021)</i>	1	1	C
	1028207	<i>Pilot Orifice Propane (.011)</i>	1	1	C
3^	1019418	<i>Thermocouple 18" Long (Screw In Type) Used Until Nov. 1/97</i>	1	1	C
	4518817	<i>Thermocouple 18" (Slip In Type)</i>	1	1	C
4	GM293	3/16" Aluminum Tubing Sold By The Foot	1	1	
5	1415703	<i>Hi-Temp Valve Baso</i>	1	1	C
	1027000	<i>Auto Safety Valve</i>	1	1	C
6	1088286	<i>Orifice Fitting Natural</i>		1	C
	M9-35	<i>Large Orifice 35 Size</i>		1	C
	1088298	<i>Orifice Propane</i>		1	C
	M9-52	<i>Large Orifice 52 Size</i>		1	C
	1028983	<i>Orifice Fitting Assembly Natural</i>	1		C
	M9-42	<i>Large Orifice 42 Size</i>	1		C
	14155XX	<i>Oven Orifice Fitting W/O Hood</i>	1		C
7	1361000	Orifice Bracket		1	
	1374200	Orifice Bracket 24" Oven	1		
8	1391600	Oven Burner Rest Support Used Up To Nov. 1/97 (Tubular Burner Shape)	1	1	
	2298500	Oven Burner Rest Support H280 Used From Nov. 1/97 (U Burner Shape)			
9	1082198	L/H Bell Crank Assembly		1	
10	1082199	R/H Bell Crank Assembly		1	
	1082196	Oven Door Bell Crank 24"	1		
11	1005800	<i>Door Spring</i>	1	2	C
12	9004700	<i>J Bolt</i>		2	C
	9004701	<i>Oven Door Spring Hook</i>	1	2	C
13A	1082802	<i>Oven Door Hinge Link RT</i>	1	2	C
13B	1082803	<i>Oven Door Hinge Link LT</i>			C
14	GF299	1/4-20 x 1/2 Shoulder Bolt	1	2	C

* NOT ILLUSTRATED

^ PHOTO AT END

RECOMMENDED STOCK PARTS

GARLAND PARTS IDENTIFICATION

Standard Oven

HP-280 Series Parts

ITEM	PART #	DESCRIPTION	QUANTITY		CRITICAL
			SPACE SAVER	STD	
			20"	26"	
15	9002200	Oven Rack Chrome	1		
	2117000	Oven Rack Chrome Before 3/7/94		1	
	2301200	Oven Rack Assembly After 3/7/94		1	
16	1438496	Oven Bottom Assembly - H280/Sentry		1	
	1369398	Oven Bottom Liner GCE	1		
17	1392500	7/17 Tube Safety To Orifice	1	1	
18	1082001	Lower Front Plate		1	
19	2297700	Oven Rack Slide Assembly RH - NLA	1	1	
20	2297701	Oven Rack Slide Assembly LH - NLA	1	1	
IMPORTANT NOTES FOR THE OVEN RACK GUIDE					
Both 3 position rack guides will have to be replaced, when changing to the new 4 position rack guide. Order Part # 4519545 Oven Rack Guide Kit which includes both racks (Rt & Lt). Mounting method is the same.					
20A	451945	Oven Rack Slide Assy LT/RT Kit (2 Racks Included) From Serial # 0410100109744, Implementation Date Nov. 05/04	1	1	
20B	4518127	Ove Rack Slide Assy LT/RT, From Serial # 0410100109744, Implementation Date Nov. 05/04	1 Each Side	1 Each Side	
21	1005399	Flue Body Assembly	1	1	
22	1019010	Pressure Regulator Natural	1	1	C
	2127500	Gas Regulator Propane 10"	1	1	C
23	CK137A	Oven Door Assembly Kit H286		1	
	CK137C	Oven Door Assembly Kit H28	1		
24	1439796	Oven Door Lining Enamelled		1	
	1439795	Oven Door Lining Enamelled	1		
25	G03984-03-8	Oven Door Insert Assembly Until Feb 27/01		1	
	G03984-04-8	Oven Door Insert Assembly From Feb 27/01	1		
26	1080714	Oven Door Panel - SS		1	
	1439902	Oven Door Panel	1		
27	9003701	Handle L/H	1	1	C
	G3814-60L	Oven Door Handle End	1	1	C
28	9003700	Handle R/H	1	1	C
	G3814-60R	Oven Door Handle End	1	1	
29	1589100	Extruded Handle Bar 24-3/8"		1	
	1589101	Extruded Handle Bar 18.375	1		
	1016700	Oven Door Handle Chrome		1	
30	1592000	Handle Overlay 24-3/8" x 1-21/64		1	
	1592001	Handle Overlay 18-3/8 x 1-21/64	1		
31	1594300	1/4-20X1 1/4 HEX WSH RLL SCRW	2	2	
32	1082700	Trunion Support	2	2	
33	1082700	Harness Ring 7 GA			
34	1082500	Oven Door Trunion	2	2	
35	1027600	Leg Retainer 6" (Std.)	4	4	
36	1150502	Bullet Legs	4	4	

* NOT ILLUSTRATED

^ PHOTO AT END

RECOMMENDED STOCK PARTS

GARLAND PARTS IDENTIFICATION

Standard Oven

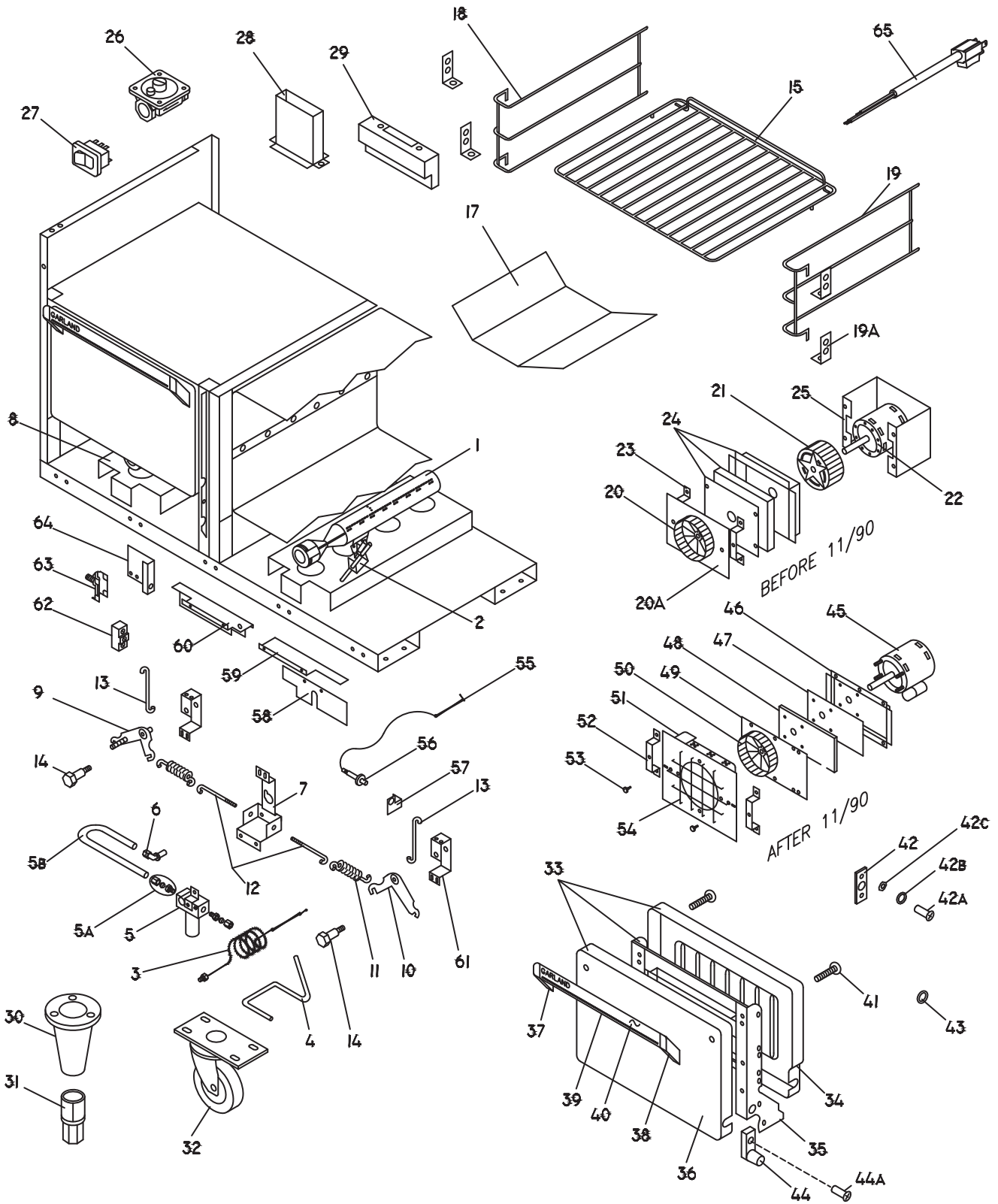
HP-280 Series Parts

ITEM	PART #	DESCRIPTION	QUANTITY		CRITICAL
			SPACE SAVER	STD	
			20"	26"	
37	1027800	Swivel Caster Less Brake	2	2	
	1027801	Swivel Caster C/W Brake	2	2	
38	1439300	Oven Tubing Left	1	1	
39	1439500	Oven Tubing Right	1	1	
40	F22	Screw – 10-24 x 9/16			
41	F84	Nut – 10-24 x 9/16			
42	F158	Washer – 11/16 OD x 13/16 ID x 1/16 FLA			
43	1095499	Straight Connector 68-7C			
44	F521	Screw - 1/4-20 x 1" FLT HD			
54*	1005598	Oven Bottom USE 1438494 Used Up to Nov./97			
	1438494	Oven Bottom Assembly - GCE Used From Nov./97			

* NOT ILLUSTRATED

^ PHOTO AT END

RECOMMENDED STOCK PARTS



HP280-Oven Section.dwg

GARLAND PARTS IDENTIFICATION

RC Oven Section

HP-280 Series Parts

ITEM	PART #	DESCRIPTION	QUANTITY	CRITICAL
1	1028197	Steel Burner Assembly Tubular burner Shape Up to Nov./97	1	C
	2298300	Steel U Burner H280 March 94/Canada Only (U Burner Shape)	1	C
2A^	078239-10	Oven Pilot Burner Assembly (Natural)	1	C
	078239-11	Oven Pilot Burner Assembly (Propane)	1	C
2B^	1028206	Pilot Orifice Natural (.021)	1	C
	1028207	Pilot Orifice Propane (.011)	1	C
3^	4518817	Thermocouple 18"(Slip-In type)	1	C
4	GM293	3/16" Aluminum Tubing	1	
5	1415703	Hi-Temp Baso Valve	1	C
	1027000	Auto Safety Valve	1	C
5a	1095499	Straight Connector 68-7C	2	
5b	1392500	7/16 Tube Safety To Orifice	1	
6	1415536F	Orifice Fitting Assembly #36	1	
	M9-36	Large Orifice 36 Size	1	C
	1515550F	Orifice Fitting Propane	1	
	M9-50	Large Orifice 50 Size	1	C
7	1361000	Orifice Bracket	1	
8	1391600	Oven Burner Rest Support	1	
9	1082198	L/H Bell Crank Assembly	1	
10	1082199	R/H Bell Crank Assembly	1	
11	1005800	Door Spring	2	C
12	9004701	Oven Door Spring Hook	2	C
13	1082802	Oven Door Hinge Link RT	2	C
14	GF299	1/4-20 x 1/2 Shoulder Bolt	2	
15	2301200	Oven Rack Assembly	3	
17	1357700	Fire Plate	1	
18	1311100	Rack Guide Assembly LT RC	1	
19	1311101	Rack Guide Assembly RT RC	1	
19A	1356600	Rack Guide Clip	4	
20	1270301	Inner Blower Wheel (Steel)	1	
20A	1313098	Air Baffle C/C	1	
21	1025360	Motor Blower Wheel	1	C
22	1003031	Motor 115V 60 HZ	1	C
	1003021	Motor 115V 71637996 JB2R061N	1	C
23	1361299	Air Baffle Support Assembly	2	
24	1311398	Motor Mount Assembly - CC	1	
25	1321000	Motor Mount Bracket	1	
26	1019010	Pressure Regulator Natural	1	
	2127500	Gas Regulator Propane 10"	1	
27	1729100	3 Position Switch MCGILL. (W/Light)	1	
	1358900	Power Switch /ON/OFF/ON (Wo.Light)	1	
28	1413899	Flue Rise Assembly	1	
29	1413900	Flue Box	1	
30	1027600	Leg Retainer 6" (Std.)	4	
31	1150502	Bullet Legs	4	
32	1027800	Swivel Caster Less Brake	2	
	1027800	Swivel Caster C/W Brake	2	
33	CK137	G280/10/40 Ser Oven Door Assy Kit	1	

* NOT ILLUSTRATED

^ PHOTO AT END

RECOMMENDED STOCK PARTS

GARLAND PARTS IDENTIFICATION

RC Oven Section

HP-280 Series Parts

ITEM	PART #	DESCRIPTION	QUANTITY	CRITICAL
34	1439796	Oven Door Lining Enamelled	1	
35	G03984-03-8	Oven Door Insert Assembly	1	
36	1080714	Oven Door Panel - SS	1	
37	9003701	Handle L.H	1	C
	G3814060L	Oven Door Handle End	1	C
38	9003700	Handle R/H	1	C
	G3814-6R	Oven Door Handle End	1	C
39	1589100	Extruded Handle Bar 24 3/8"	1	C
	G3837-1-8p	Handle Bar (Plated)	1	C
40	1592000	Handle Overlay 24-3/8" x 1-21/64"	1	
41	1594300	1/4-21X1 1/4 HEX WSH RLL SCRW	2	
42	1083001	Trunion Support	2	
42a	F22	Screw 10-24 x 9/16		
42b	F158	Washer - 11/16 OD x 13/64 ID x 1/16 FLA		
42c	F84	Nut - 10-24 Hex Two Way Lock		
43	1082700	Harness Ring 7	2	
44	1802500	Oven Door Trunion	2	
44a	F521	Screw 1/4 - 30 x 1" Flat Head		
45	2485801	Motor PSC 1/3 HP 115V 60 HZ	1	C
	CK2485801	Fan Motor 115V (RC H/P280 Series) (Includes items 45, 46, 47, 48, 49, 50)		C
46	2396600	Motor Mount Pocket	1	
47	1309072	Cera Insul. USE 1669100	1	
48	1669100	Motor Pocket Insulation Board	1	
49	2396700	Motor Mount Plate GCE	1	
50	G02952-01P	Blower Wheel Assembly Plated	1	
51	2395999	Air Baffle Assembly GCE	1	
52	1361299	Air Baffle Support Assembly	2	
53	1031901	Thumb Screw	2	
54	1014500	Blower Inlet Cover	1	
55	G03151-1	Piezo Electrode 16"	1	C
56	1309201	Piezo Igniter #1244-41	1	C
57	1413200	Support Bracket	1	
58	1391100	Roll Out Shield Support	1	
59	1390701	Right Roll Out Shield	1	
60	1391000	Left Roll Out Shield	1	
61	1386100	Bell Crank Support	2	
62	1019603	Micro Switch	1	C
63	1019604	Actuator	1	C
64	1386001	Bracket (CK1386001)	1	
65	4523398	Power Cord 6Ft 3/14Ga - 15Amp SJ00W	1	

* NOT ILLUSTRATED

^ PHOTO AT END

RECOMMENDED STOCK PARTS

NOTES

GARLAND PARTS IDENTIFICATION

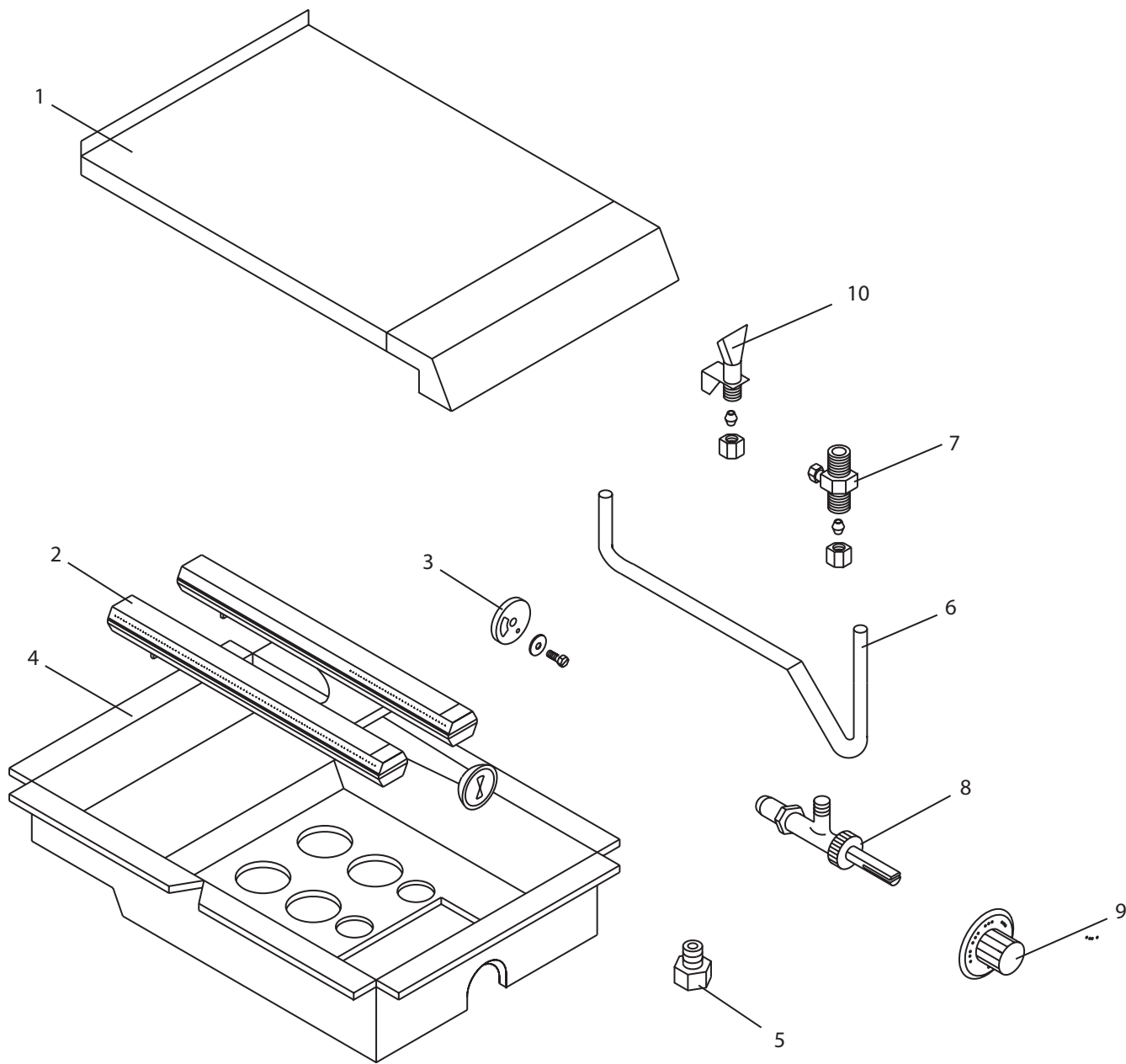
Open Top Section



HP-280 Series Parts

ITEM	PART #	DESCRIPTION	QUANTITY Per 12" Section	CRITICAL
1	1726301	Cast Iron Top Grate	1	
	2298999	Top Grate Assembly Enamelled	1	
2	G6214	Top Ring Grate (No Pins) Cast Iron	2	C
	1361606	Ring Grate 20K – Porcelain	2	C
3	2217301	Rear Burner 20K	1	C
4	2217300	Front Burner 20K	1	C
5	1028002	Air Shutter	2	C
6	G7804-280	Lighter Assembly	1	C
7	1731501	Top Lighter Support	1	
8	1032617	Top Lighter Tube 1/8 OD x 17	1	C
9	1086199	Gum Valve 1/8	1	C
10	1510403	Gum Valve (Double) 1/8 x 3/16	As Required	C
11	26878XX	Valve Assembly Less Hood LML-15	1	
	M8-42	Small Orifice 42 Size	1	
	M8-55	Small Orifice 55 Size	1	
12	G02716-2	Dial - (Universal) Medium Shaft	2	C
	G02725-21	Dial Insert (Blank)	2	C
13	1085999	Valve - Oven Burner	1 Per Oven	C
14	1089101	Knob (Oven)	1 Per Oven	C
15	G03145-048	FD Control Assembly	1 Per Oven	C
	1017504	Tube Nuts	2	
16	G02716-3	Dial - (Universal) Large Shaft	1	C
	G02725-16	Dial Insert (150°F/500°F)	1	C
17	1090311	Tubing For Thermostat Manifold	1 Per Oven	
18	1664401	Burner Rest 24"		
	1664402	Burner Rest 36"		
	1664403	Burner Rest 60"		
19	1731601	Burner Rest Support		
20	1396500	Burner Box Back 24"		
	1396501	Burner Box Back 36"		
	1396502	Burner Box Back 60"		
21	1734512	Drip Angle 12"		
	1734524	Drip Angle 24"		
	1734536	Drip Angle 36"		
	1734548	Drip Angle 48"		
	1734560	Drip Angle 60"		
	1734572	Drip Angle 72"		
22*	1089775	Steel Tubing 7/16 x 75-1/4	1	
23	GF138	Capillary Bulb Clamp	1	

* NOT ILLUSTRATED

RECOMMENDED STOCK PARTS



FASTENERS	
F158	
F43	

GARLAND PARTS IDENTIFICATION

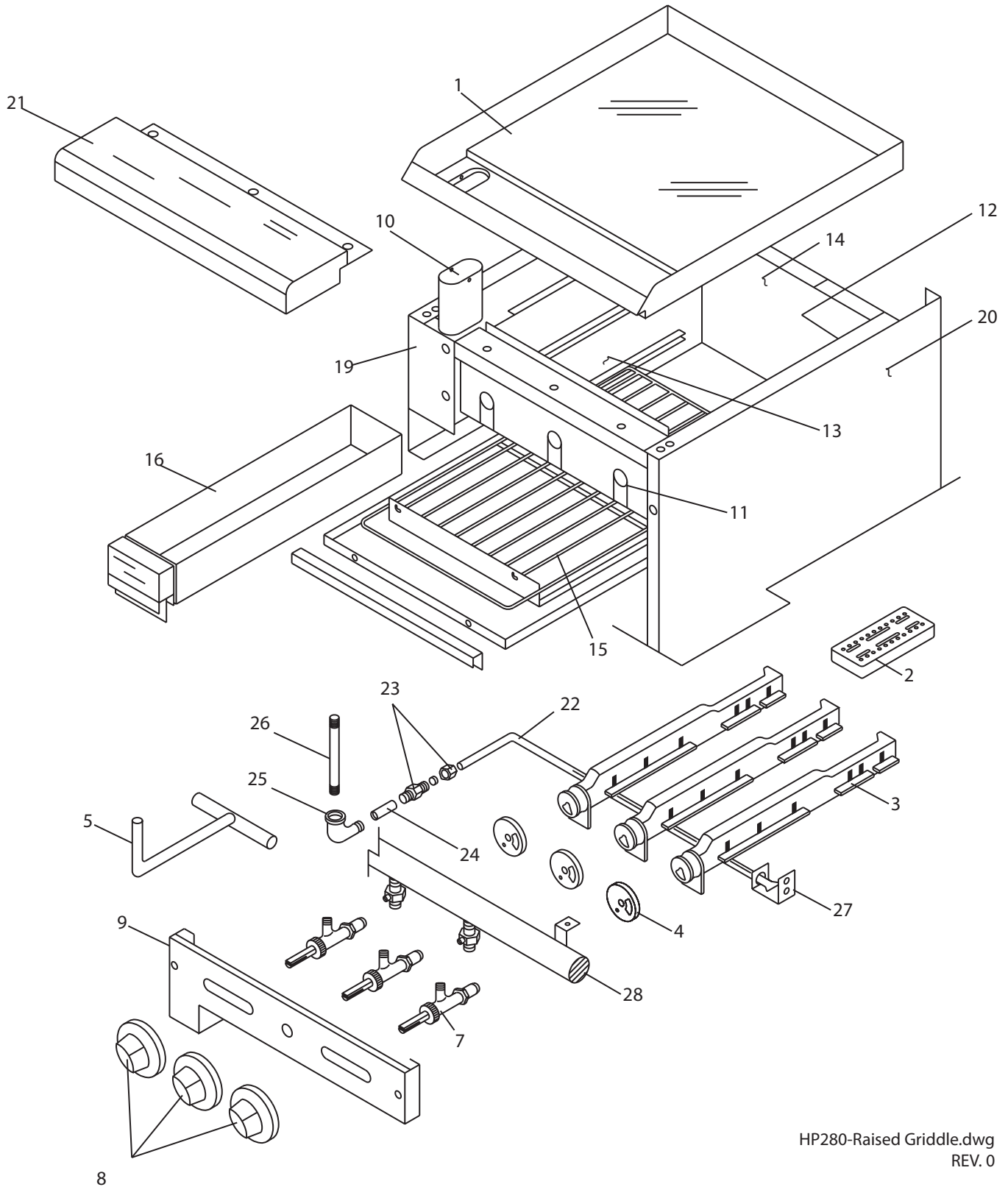
Hot Top Section

HP-280 Series Parts

ITEM	PART #	DESCRIPTION	QUANTITY Per 12" Oven	CRITICAL
1	1728299	Hot Top Assembly 12"	1	
2	1014900	Griddle H Burner	1	C
3	1028002	Air Shutter	1	C
4	1092098	Inset Burner Box Assembly	1	
	1728398	12" Insert Burner Box Assembly	1	
5	2203400	Counter Sunk Hex Pipe Plug 1/8" NPT	1	
6	1028308	3/16 Aluminum Tubing	1	
7	1086597	3/16 Pilot Adjusting Valve	1	
8	26878XX	Valve Assembly Less Hood LML-15	1	C
	M8-46	Orifice 46 Size	1	C
	26878XX	Valve Assembly Less Hood LML-15	1	C
	M8-55	Small Orifice 55 Size	1	C
9	G02716-2	Dial - (Universal) Medium Shaft	1	C
	G02725-21	Dial Insert Blank		C
10	1415300	2C-2 Pilot Natural	1	C
	1028206	Pilot Orifice Natural (.021)	1	C
	1415301	2C-2 Pilot Propane	1	C
	1028207	Pilot Orifice (0.11)	1	C

* NOT ILLUSTRATED

RECOMMENDED STOCK PARTS



HP280-Raised Griddle.dwg
REV. 0

GARLAND PARTS IDENTIFICATION

Raised Griddle/Broiler Section

HP-280 Series Parts

ITEM	PART #	DESCRIPTION	QUANTITY		CRITICAL
			24"	36"	
1	1727596	Griddle Assembly 24" H283 SS	1		
	1727897	Griddle RT 36" 285		1	
2	1091000	Ceramic Radiant	8	8	C
3	1090500	Griddle Burner	3	3	C
	1014901	Griddle H Burner		1	C
	1728397	Insert Burner Box Assembly		1	
4	1028002	Air Shutter	3	4	
5	CK1144	Conversion Kit RGB-NAT	1	1	
	CK1145	Conversion Kit RGB LP	1	1	
6*	1415300	2C-2 Pilot Natural		1	C
	1028206	Pilot Orifice Natural (.021)		1	C
	1415301	2C-2 Pilot Propane		1	C
	1028207	Pilot Orifice Propane (.011)		1	C
7	26878XX	Valve Assembly Less Hood LML-15	3	3	C
	M8-50	Small Hood Propane	3	3	C
	1087696	Gas Valve	3	3	C
	M8-57	Small Orifice 57 Size Natural	3	3	C
	1086580	Natural #48 W/EXT.		1	C
	M8-48	Small Orifice 48 Size Natural		1	C
	1086579	LP #55F W/EXT		1	C
	M8-55	Small Orifice 55 Size		1	
8	G02716-2	Dial - (Universal) Medium Shaft	3	4	C
	G02725-21	Dial Insert (Blank)	3	4	C
9	1731803	Valve Panel Raised Grid H283	1		
	1730103	Valve Panel Raised Grid		1	
10	2404300	Grease Chute Front H283	1		
	2404400	Grease Chute Back	1		
	2681600	Grease Chute Front		1	
	2681700	Grease Chute Back		1	
11	1087000	Griddle Valve Shield	1	1	
	1085700	Griddle Burner Rest	1	1	
12	1081999	Griddle Right Side Liner Assembly	1	1	
13	1081998	Griddle Left Side Liner Assembly	1	1	
14	1511200	Griddle Back Lining	1	1	
15	1090798	Rack-1090797/1090600	1	1	
	1090600	Broiler Rack Chrome	1	1	
	1090797	Broil Rack Drip Shield	1	1	
16	2354699	Grease Drawer Assembly		1	
	1728802	Grease Drawer Handle	1		
	1729501	Grease Drawer 283	1		
	2363300	Handle Griddle Drawer F/H283	1		
	2355801	Grease Drawer Handle		1	
19	1726801	Grease Drawer H2850 4-3/8"			
	1084707	Broiler Box Left Side	1	1	
20	1085401	Broiler Side Veneer	1	1	
	1605001	Broiler / Body Side RT CR	1	1	
	1605003	Broiler Body Right Side	1	1	
21	1728602	Front Rail H283	1	1	
	1728603	Front Rail 285 RGB	1	1	
22	1050507	(283) Lighter Tube 17-5/8	1	1	C
23	1050271	Pilot Tube Orifice Fitting Propane	1	1	
24	1004801	Pipe Coupling	1	1	

* NOT ILLUSTRATED

RECOMMENDED STOCK PARTS

GARLAND PARTS IDENTIFICATION

Raised Griddle/Broiler Section

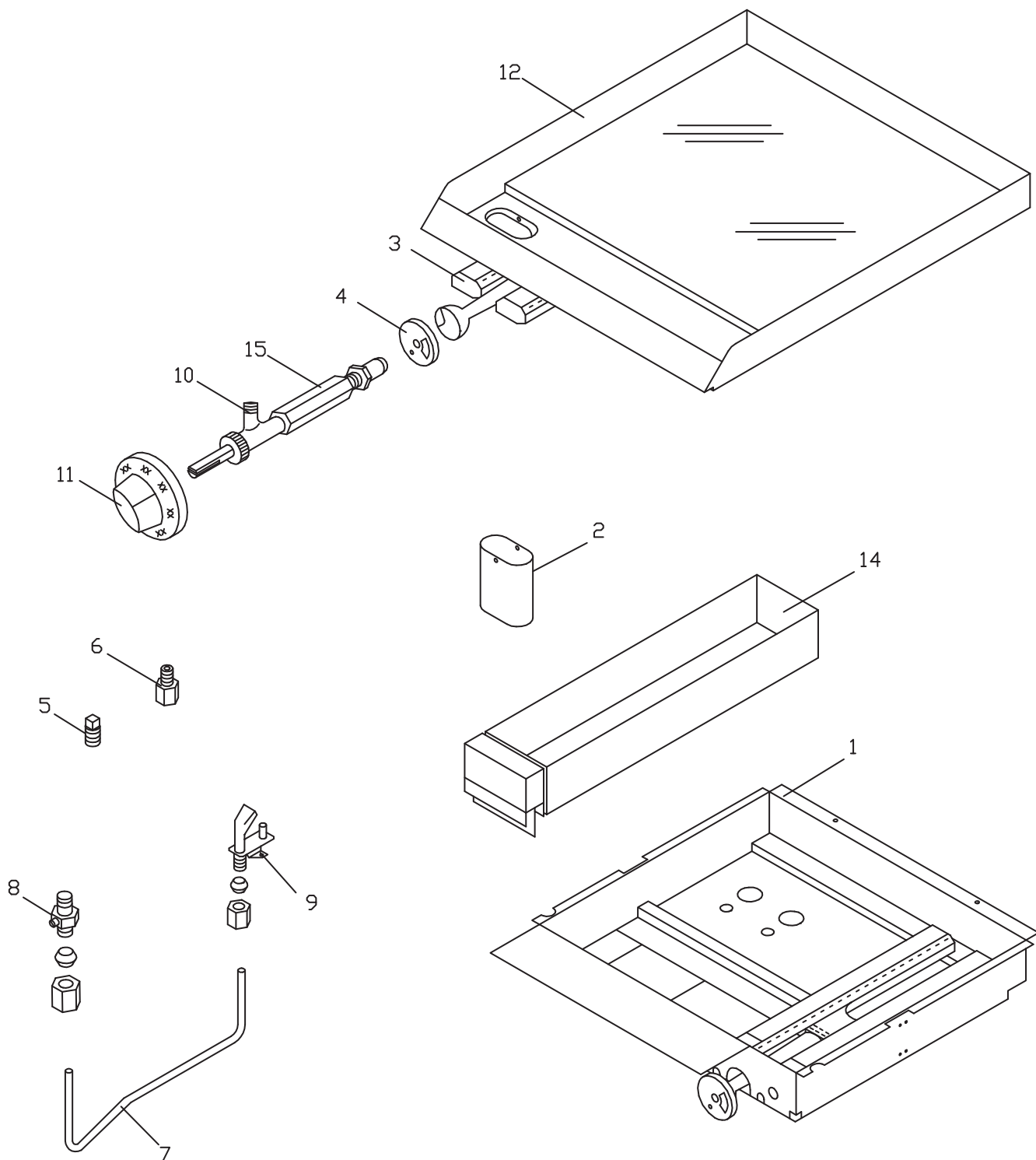
HP-280 Series Parts

ITEM	PART #	DESCRIPTION	QUANTITY		CRITICAL
			24"	36"	
25	1026730	Elbow Street 1/8" 90 Degree	1	1	
26	1004604	Nipple	1	1	
27	1781801	Pilot Bracket	1	1	
28	2202999	Manifold Assembly	1		
	2202899	Manifold Assembly		1	
29*	1281998	Griddle Splash 24"			
	1281997	Griddle Splash 36"			

* NOT ILLUSTRATED

RECOMMENDED STOCK PARTS

NOTES



GARLAND PARTS IDENTIFICATION

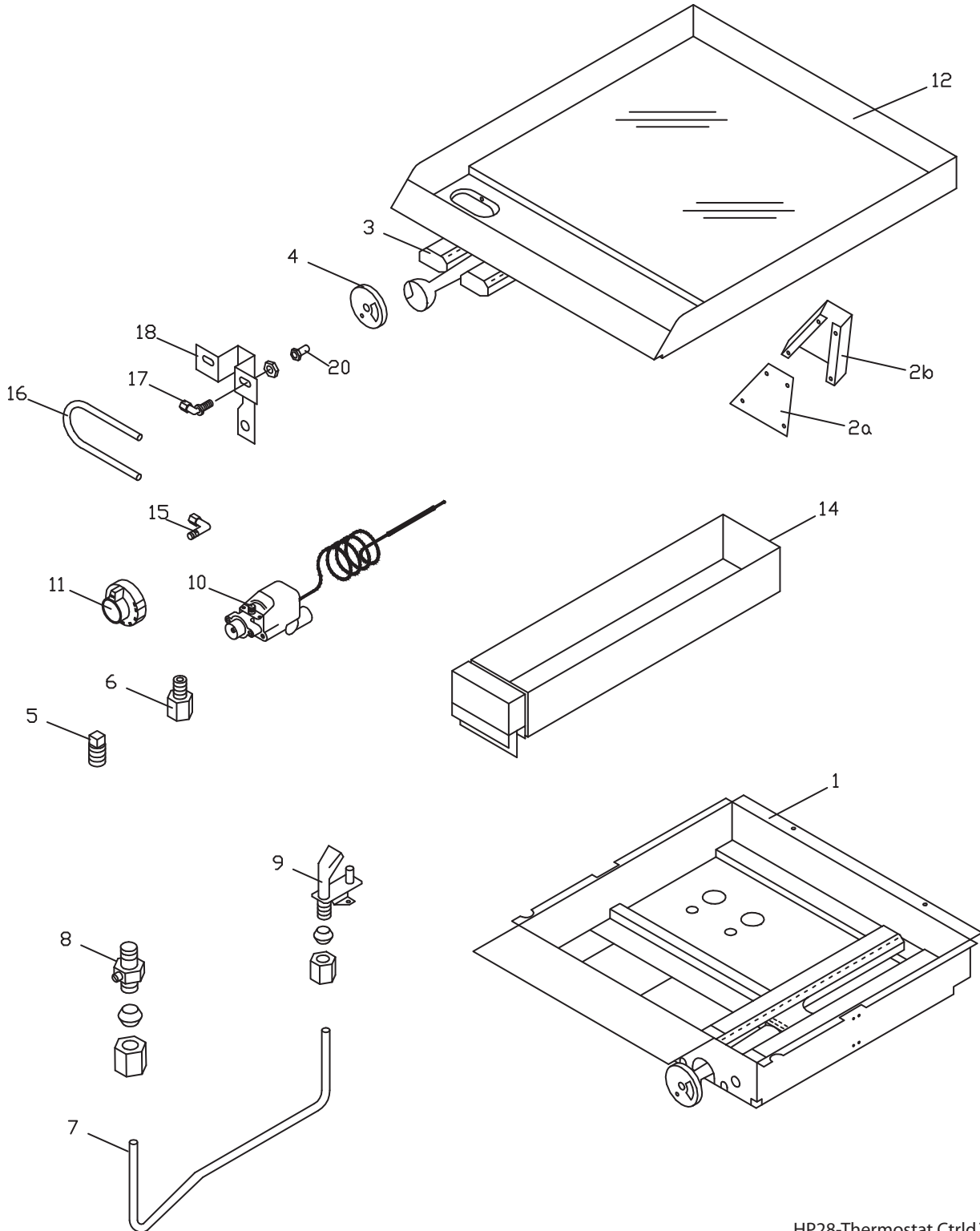
Valve Control Griddle Section

HP-280 Series Parts

ITEM	PART #	DESCRIPTION	QUANTITY				CRITICAL
			MODEL				
			12"	24"	36"	48"	
1	1728398	12" Insert Burner Box Assembly	1		1		
	1728399	24" Insert Burner Box Assembly W/A		1	1	2	
2	1102000	Drain Tube 5"	1	1	1	1	
3	1014901	Griddle H Burner	1	2	3	4	C
4	1028002	Air Shutter	1	2	3	4	C
5	2203400	Counter Sunk Hex Pipe Plug 1/8" NPT	1	2	3	4	
6	1086000	1/8 NPT Adapter	1	2	3	4	
7	1259514	3/16 Steel Tubing x 14" Used Up To Nov./97	1	2	3	4	
	1028312	3/16 Aluminum Tubing Used From Nov./97	1	2	3	4	
8	1086597	3/16 Pilot Adjusting Valve	1	2	3	4	C
9	1415301	2C-2 Pilot Propane	1	2	3	4	C
	1028207	Pilot Orifice Propane (.011)	1	2	3	4	C
	1415300	2C-2 Pilot Natural	1	2	3	4	C
	1028206	Pilot Orifice Natural (.021)	1	2	3	4	C
10	1086579	LP #55F W/Ext.	1	2	3	4	C
	M8-55	Small Orifice 55 Size					C
	1086580	Natural #48 W/EXT	1	2	3	4	C
	M8-48	Small Orifice 48 Size Natural					C
11	G02716-2	Dial - (Universal) Medium Shaft	1	2	3	4	C
	G02725-2	Dial Insert (OFF/MAX/MIN)	1	2	3	4	C
12	2494899	Griddle Assembly 12"	1				
	2494898	Griddle Assembly 24"		1			
	2494897	Griddle Assembly 36"			1		
	2494896	Griddle Assembly 36" LT			1		
	2411395	48" Griddle Assembly REF:1728099				1	
13*	1281999	Griddle Front Splash Assembly 12"	1				
	1281998	Griddle Front Splash Assembly 24"		1			
	1281997	Griddle Front Splash Assembly 36"			1		
	1281996	Griddle Front Splash Assembly 48"				1	
14	2354699	Grease Drawer Assembly		1	1	2	
	2355801	Grease Drawer Handle		1	1	2	
15	2430400	Valve Extension					

* NOT ILLUSTRATED

RECOMMENDED STOCK PARTS



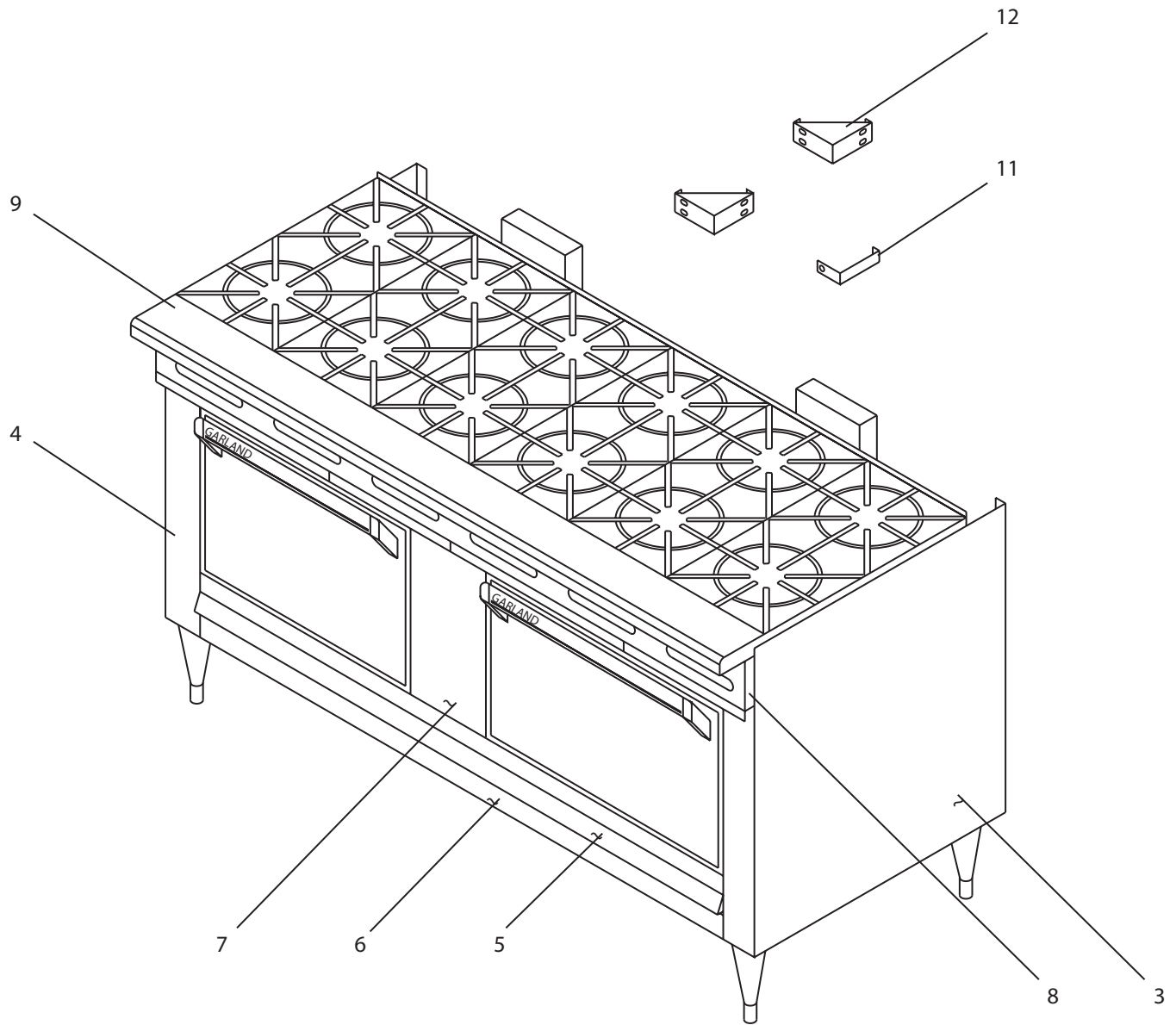
HP28-Thermostat Ctrlld Top.dwg

GARLAND PARTS IDENTIFICATION
Thermostatically Controlled Griddle Section
HP-280 Series Parts

ITEM	PART #	DESCRIPTION	QUANTITY				CRITICAL
			MODEL				
			12"	24"	36"	48"	
1	1728398	12" Insert Burner Box Assembly	1		1		
	1728399	24" Insert Burner Assembly W/A		1	1	2	
2a	2398900	Grease Shoot Back H/S/ST280	1	1	1	1	
2b	2399000	Grease Shoot Front H/S/ST280	1	1	1	1	
3	1014901	Griddle H Burner	1	2	3	4	C
4	1028003	Top Air Shutter	1	2	3	4	C
5	2203400	Counter Sunk Hex Pipe Plug 1/8" NPT	1	2	3	4	
6	1086000	1/8 NPT Adapter	1	2	3	4	
7	1028312	3/16 Aluminum Tubing	1	2	3	4	
8	1086597	3/16 Pilot Adjusting Valve	1	2	3	4	C
9	1415301	2C-2 Pilot Propane	1	2	3	4	C
	1028207	Pilot Orifice LP (.011)					C
	1415300	2C-2 Pilot Natural	1	2	3	4	C
	1028206	Pilot Orifice Natural (.021)	1	2	3	4	C
10	1360200	Thermostat	1	2	3	4	C
11	1224504	Dial	1	2	3	4	C
12	2494899	Griddle Assembly 12"	1				
	2494898	Griddle Assembly 24"		1			
	2493897	Griddle Assembly 36"			1		
	2494896	Griddle Assembly 36" LT			1		
	2411395	48" Griddle Assembly REF:1728099				1	
13*	1281999	Griddle Front Splash Assembly 12"	1				
	1281998	Griddle Front Splash Assembly 24"		1			
	1281997	Griddle Front Splash Assembly 36"			1		
	1281996	Griddle Front Splash Assembly 48"				1	
14	2354699	Grease Drawer Assembly		1	1	2	
	2355801	Grease Drawer Handle		1	1	2	
15	G02352-1	Elbow 3/8 NPT to 7/16CC 69-7-C	1	2	3	4	
16	1729302	Orifice Tubing	1	2	3	4	
17	1028988	Orifice Fitting Assembly (Propane)	1	2	3	4	C
	1028987	Orifice Fitting Assembly (Natural)	1	2	3	4	C
18	1729301	Orifice Fitting	1	2	3	4	
20	M8-55	Small Orifice 55 Size	1	2	3	4	C
	M8-48	Small Orifice 48 Size Natural	1	2	3	4	C

* NOT ILLUSTRATED

RECOMMENDED STOCK PARTS



GARLAND PARTS IDENTIFICATION

Exterior Finish

HP-280 Series Parts

Standard Finish

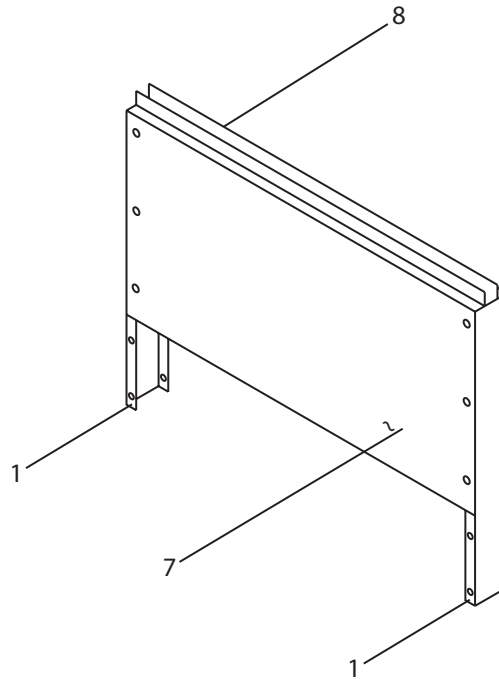
ITEM	PART #	DESCRIPTION	QUANTITY				
			MODEL				
			24"	36"	48"	60"	72"
3	1731302	Body Side RT CR	1		1	1	
	1731202	Body Side RT CR		1			1
	1605001	Broiler/Body Side RT CR					
4	1081106	Body Side L/H H284/7	1		1	1	
	1731201	Body Side LT CR		1			1
5	1374000	Kick Panel Upper 24"	1				
	1374003	Kick Panel Upper S/S 30"		1			
	1374004	Kick Panel Upper 48"			1		
	1374007	Kick Panel Upper 60"				1	
	1374008	Kick Panel Upper G289 72"					1
6	1374100	Kick Panel Lower 24" F/G28	1				
	1374102	Kick Panel		1			
	1374104	Kick Panel Lower 48"			1		
	1374106	Kick Panel Lower 60"				1	
	1374108	Kick Panel Lower G289 72"					1
7	1081505	Centre Column			1	1	
	1370103	Centre Column S/S					1

Stainless Steel

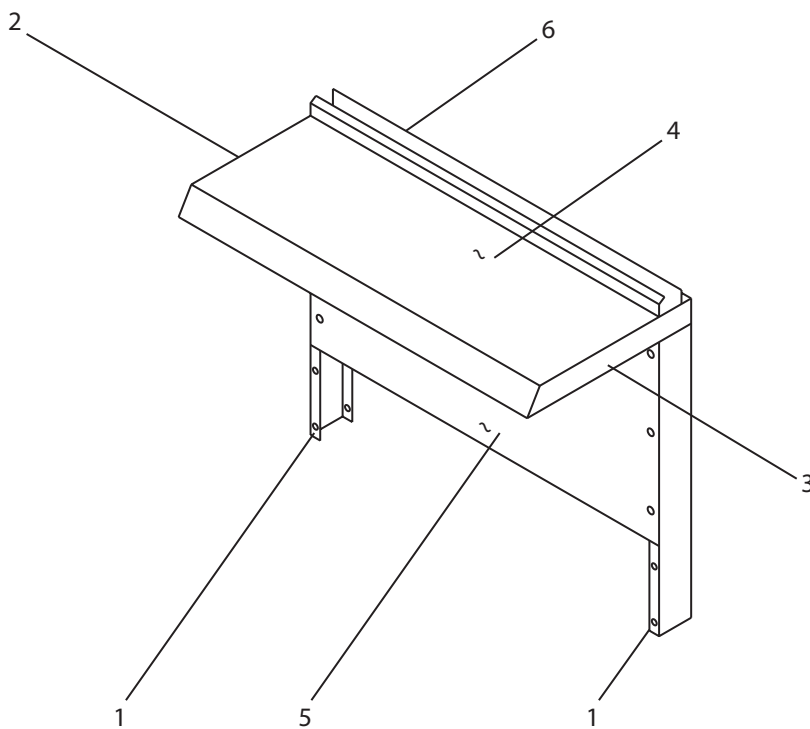
ITEM	PART#	DESCRIPTION	QUANTITY				
			MODEL				
			24"	36"	48"	60"	72"
3	1731304	Body Side RT S/S	1		1	1	
	1731204	Body Side RT S/S		1			1
	1605003	Broiler Body Right Side					
4	1731303	Body Side LT S/S	1		1	1	
	1731203	Body Side LT S/S		1			1
5	1374001	Kick Panel Upper 24" S/S	1				
	1374003	Kick Panel Upper S/S 30"		1			
	1374005	Kick Panel Upper 48"			1		
	1374007	Kick Panel Upper 60"				1	
	1374009	Kick Panel Upper S/S G289					1
6	1374101	Kick Panel Lower 24" S/S	1				
	1374103	Kick Panel Lower S/S 30"		1			
	1374105	Kick Panel Lower 48"			1		
	1374107	Kick Panel Lower 60" Stainless				1	
	1374109	Kick Panel Lower S/S G289					1
8	1730801	Valve Panel H28	1				
	1729701	Valve Panel H286 (US Version)		1			
	1729707	Valve Panel H288			1		
	1729759	Valve Panel 288 RT				1	
	1731101	Valve Panel H/P289					1
9	See Page #28						
11	1364200	Main Back Stiffener					
12	1759701	Body Side Gusset					

* NOT ILLUSTRATED

RECOMMENDED STOCK PARTS



BACKGUARD



HI-SHELF

REV. 0
HP280-Hi Shelf.dwg

GARLAND PARTS IDENTIFICATION

Backguard & Section

HP-280 Series Parts

ITEM	PART #	DESCRIPTION	QUANTITY				
			MODEL				
			24"	36"	48"	60"	72"
1	1390101	Upright R/H L/H SS	2	2	2	2	2
2	1364902	Shelf Support L/H	1	1	1	1	1
3	1364903	Shelf Support	1	1	1	1	1
4	1390200	SDHS Top 24" S/S	1				
	1390201	SDHS Top 36" S/S		1			
	1390202	SDHS Top 48" S/S			1		
	1390203	SDHS Top 60" S/S				1	
	1390204	SDHS Top 72" S/S					1
5	1390301	SDHS Front Panel 24" S/S	1				
	1390303	SDHS Panel 36" S/S		1			
	1390305	SDHS Front Panel 48" S/S			1		
	1390309	SDHS Front Panel 60" S/S				1	
	1390307	SDHS Front Panel 72" S/S					1
	1390311	SDHS Front Panel 60" S/S/G283					
	1390313	SDHS Front Panel 60" S/S/G285					
6	1390500	SDHS Backguard Back 24" STD	1				
	1390502	High Shelf Back 36"		1			
	1390504	SDHS Backguard Back 48" Std			1		
	1390506	SDHS Backguard Back 48" AZ					
	1390508	SDHS Back 60"				1	
	1390510	SDHS Backguard Back 72" Std					1
7	1390401	Backguard Front Panel 24" S/S	1				
	1390403	Backguard Front Panel S/S 36"		1			
	1390405	Backguard Front Panel 48" S/S			1		
	1390409	Backguard Front Panel S/S 60"				1	
	1390407	Backguard Front Panel 72" S/S					1
	1390411	Backguard Front Panel S/S 60" G283					
	1390413	Backguard Front Panel 60" S/S/G285					
8	1390600	Backguard Back Standard 24"	1				
	1390602	Backguard Back Standard 36"		1			
	1390604	Backguard 48" Standard			1		
	1390608	Backguard Back Standard 60"				1	
	1390610	Backguard Back 72" Standard					1

* NOT ILLUSTRATED

RECOMMENDED STOCK PARTS

GARLAND PARTS IDENTIFICATION

Appendix

HP-280 Series Parts

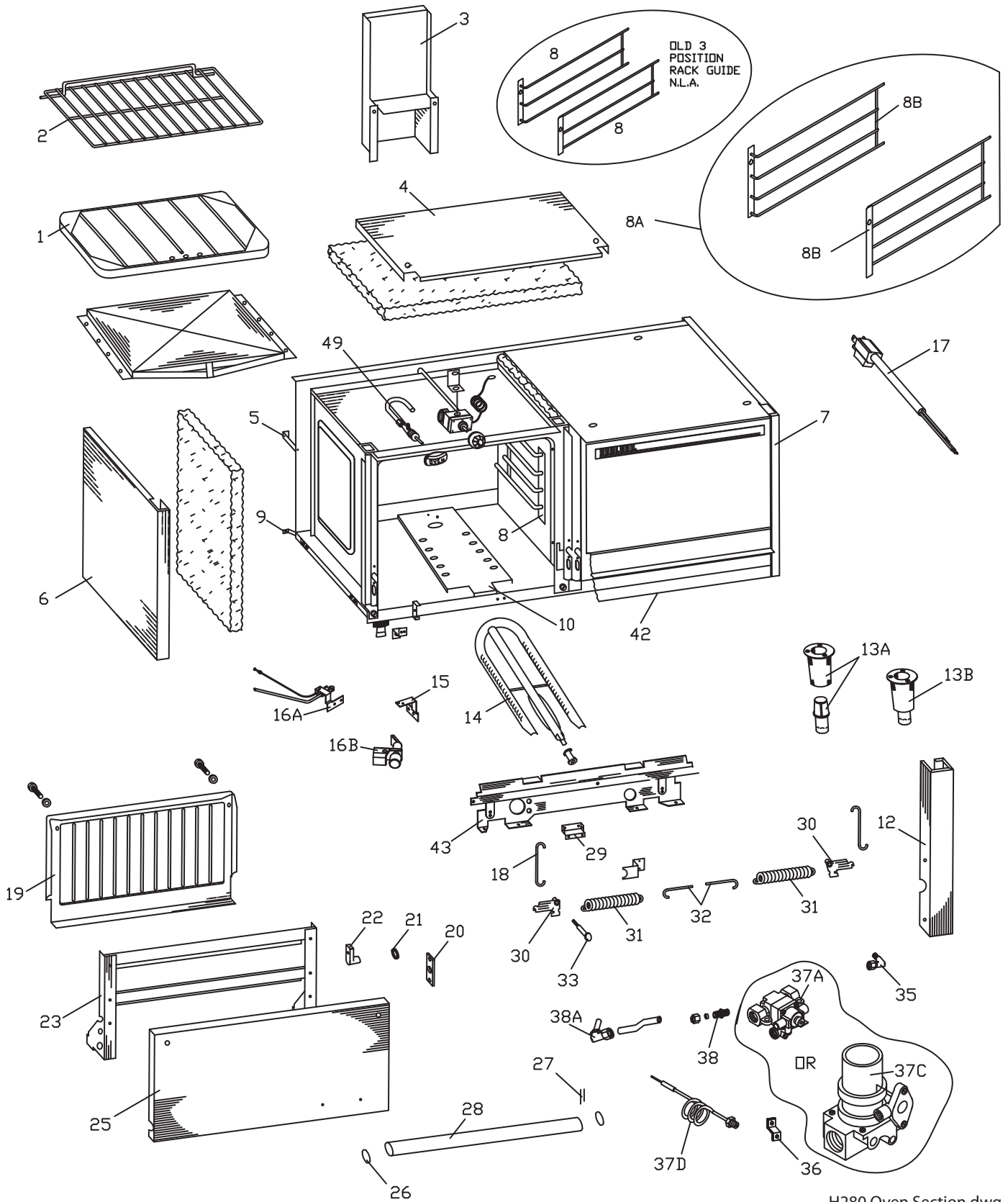
PART #	DESCRIPTION	WHERE USED	UP TO DATE	FROM DATE
1728501	24" Front Rail	H28, 281, 285	27-Apr-94	
1728551	24" Front Rail	H28, 281, 285		27-Apr-94
1728503	36" Front Rail	H286,282, 283	27-Apr-94	
1728553	36" Front Rail	H286,282, 283		27-Apr-94
1728505	48" Front Rail	H288	27-Apr-94	
1728555	48" Front Rail	H288		27-Apr-94
1728507	60" Front Rail	H284, 287	27-Apr-94	
1728557	60" Front Rail	H284, 287		27-Apr-94
1728598	36" Front Rail RC	H282RC, 283RC		
1728597	36" Front Rail RC	H286RC		
1728593	48" Front Rail RC	H288SRC		
1728599	60" Front Rail RC	H284RC (1 oven RC only)		
1728591	24" Front Rail RC2	H281 / H285RC		
1728594	36" Front Rail RC2	H283RC2		
1728592	60" Front Rail RC2	H284RC2 - (2 ovens RC)		
1728595	60" Front Rail RC2	H284RC2		
1728602	24" Front Rail (Special Notch)	282, 283 Griddle Rail & RC, RC2		
1728603	36" Front Rail (Special Notch)	281, 285 Griddle Rail & RC, RC2		
1728590	24" Front Rail	H285RC2		
1728512	72" Front Rail	H289, H289S		
2471699	72" Front Rail	H289RC, H289SRC		
2471698	72" Front Rail	H289RC2		



SECTION TWO

Covers units with the serial numbers ending with three digits and an "R" on the end of the serial number i.e. 9905GR543R. This section also covers recent currant ranges manufactured.

PARTS LIST



H280 Oven Section.dwg

GARLAND PARTS IDENTIFICATION
H280 Series Oven Section

ITEM	PART #	DESCRIPTION	QUANTITY					
			MODELS					
			H280	H288	H286	H289	H283/ H285	H284
1	2157098	Oven Bottom	1	2				
	1438494	Oven Bottom Assembly Up to Oct 31/02			1	2	2	2
	1438496	Oven Bottom Assembly From Oct 31/02			1	2	2	2
2	2301200	Oven Rack Assembly			2	4	4	4
	2301201	Oven Rack	2	4				
3	1005399	Flue Body Assembly	1	2	1	2	2	2
	1080915	Burner Box Bottom			1	2		
4	1368700	Burner Box Bottom	1	2				
	1392200	Burner Box Bottom					2	2
5	1364200	Main Back Stiffener	2	2	2	2	2	2
6	1731303	Body Side Left S/S (Up to May 2000)	1	1			1	1
	1081108	Body Side Left S/S (From May 2000)	1	1			1	1
	1731203	Body Side Left S/S (Up to May 2000)			1	1		
	1081109	Body Side Left S/S (From May 2000)			1	1		
7	1731304	Body Side Right S/S (Up to May 2000)	1	1				1
	1081113	Body Side Right S/S (From May 2000)	1	1				1
	1731204	Body Side Right S/S (Up to May 2000)			1	1		
	1081104	Body Side Right S/S (From May 2000)			1	1		
	1605003	Broiler Body Right Side						
8	2297700	Oven Rack Slide Assy RH - NLA	1	2	1	2	2	2
	2297701	Oven Rack Slide Assy LH - NLA	1	2	1	2	2	2
IMPORTANT NOTES FOR THE OVEN RACK GUIDE								
Both 3 position rack guides will have to be replaced, when changing to the new 4 position rack guide. Order Part # 4519545. Oven Rack Guide Kit which includes both racks (Rt & Lt). Mounting method is the same.								
8A	4519545	Oven Rack Slide Assy LT/RT Kit (2 Racks Included) From Serial # 0410100109744, Implementation Date: Nov 05/04	1	2	1	2	2	2
8B	4518127	Oven Rack Slide Assy LT/RT From Serial #0410100109744, Implementation Date: Nov 05/04	1 Each Side					
9	1081300	Side Rear Brace	2	2	2	2	2	2
10	2298500	Oven Burner Rest Support	1	2	1	2	2	2
11*	1391300	Tubing Shield	1	2	1	2	2	2
12	1081506	Centre Column		1			1	1
	1370101	Center Column				1		
13A	1027600	Leg Retainer 6" (Std.)	4	4	4	4	4	4
	2093800	Leg Retainer 4" (Opt.)	4	4	4	4	4	4
	1150502	Bullet Legs	4	4	4	4	4	4
	1027800	Swivel Caster Less Brake (Up To Dec. 10. 2004)	2	2	2	2	2	2
	4519432	Swivel Caster (From Dec. 10, 2004)	2	2	2	2	2	2
	1027801	Swivel Caster C/W Brake (Up To Dec. 10. 2004)	2	2	2	2	2	2
	4519433	Swivel Caster With Brake (From Dec 10, 2004)	2	2	2	2	2	2
	F445	Leg Screw #14	12	12	12	12	12	12
13B^	4519723	6" S/S Adjustable Leg (Optional)	4	4	4	4	4	4
14	2298300	Steel U Burner H280	1	2	1	2	2	2
15	2354900	Pilot Bracket	1	2	1	2	2	2
16A^	1415300	2C-2 Pilot Natural – Used in Std Oven	1	2	1	2	2	2
	1415301	2C-2 Pilot Propane – Used in Std Oven	1	2	1	2	2	2
16B	1415302	2C-2 Pilot Manufactured Used in Std Oven	1	2	1	2	2	2
18	1082802	Oven Door Hinge Link RT	1	2	1	2	2	2
	1082803	Oven Door Hinge Link LT	1	2	1	2	2	2

* NOT ILLUSTRATED

^ PHOTO AT THE END

RECOMMENDED STOCK PARTS

GARLAND PARTS IDENTIFICATION
H280 Series Oven Section

ITEM	PART #	DESCRIPTION	QUANTITY					
			MODELS					
			H280	H288	H286	H289	H283/ H285	H284
19	1439796	Oven Door Lining Enamelled			1	2	2	2
	1439795	Oven Door Lining Enamelled	1	2				
20	1083001	Trunion Support	2	4	2	4	4	4
21	1082700	Harness Ring 7 GA	2	4	2	4	4	4
22	1082500	Oven Door Trunion	2	4	2	4	4	4
23	G03984-03-8	Oven Door Insert Assembly			1	2	2	2
	G03984-04-8	Oven Door Insert Assembly	1	2				
24*	1592000	Handle Overlay 24 3/8" x 1 21/64			1	2	2	2
	1592001	Handle Overlay 18 3/8" x 1 21/64	1	2				
	1902918	Name Plate - GARLAND 7 3/4	1	1	1	1	1	1
25	1080714	Oven Door Panel-SS				1	1	1
	1080723	Oven Door Panel			1	1	1	1
	1439903	H288 LT Door Panel	1	1				
	1439901	Oven Door Panel	1	1				
26	3010000	Handle Spacer (Insert)	2	4	2	4	4	4
27	3007300	Handle End LH & RH From Jun 1/00	2	4	2	4	4	4
	9003701	Handle L/H Up To Jun 1/00	1	2	1	2	2	2
	9003700	Handle R/H Up To Jun 1/00	1	2	1	2	2	2
28	3017000	Door Handle			1	2	2	2
	3017001	Door Handle	1	2				
	1589100	Extruded Handle Bar 24 3/8"			1	2	2	2
	1589101	Extruded Handle Bar 18.375	1	2				
29	1361000	Orifice Bracket			1	2	2	2
	2330800	Orifice Bracket	1	2				
30	1082196	Oven Door Bell Crank 24"	1	2				
	1082198	L/H Bell Crank Assembly			1	2	2	2
	1082199	R/H Bell Crank Assembly			1	2	2	2
31	1005800	Door Spring	1	2	2	4	4	4
	9004701	Oven Door Spring Hook			2	4	4	4
32	G01246-1-8	Spring Hook	1	2				
33	GF299	1/4-20 x 1/2 Shoulder Bolt	1	2	2	4	4	4
34*	1028382	3/16 Alum Tubing 82.00"	1	22	4	4	4	4
35	G02352-1	Elbow 3/8 NPT To 7/16CC 69-7C	1	2	1	2	2	2
36	G03699-1-6	Safety Valve Bracket H280	1	2	1	2	2	2
37A^	G01479-01	TS11J Safety Valve (Refer to Photo - Page 45)	1	2	1	2	2	2
37C^	1415703	High Temp Baso Valve (Refer to Photo- Page 45)	1	2	1	2	2	2
See Page 44 For Complete List Of Fittings/Tubing Used With Baso Valve								
37D*^	4518817	Thermocouple 18" (Slip in Type) Used with T11 & Baso Valve	1	2	1	2	2	2
38	1095499	Straight Connector 3/8 x 7/16CC	1	2	1	2	2	2
38A	141553F	Oven Orifice Fitting Nat.			1	2	2	2
39*	2298600	Front Air Shield			1	2	2	2
	2331100	Left Air Shield	1	2				
	2331200	Right Air Shield	1	2				
40*	2376703	Kick Panel H288	1	2				
	2376702	Kick Panel From 9909RG329R			1	2	2	2
	2376702	Lower Kick Panel H284 Effective 9909RG330R						
	2376703	Lower Kick Panel H288 Effective 9909RG330R						

* NOT ILLUSTRATED

^ PHOTO AT THE END

RECOMMENDED STOCK PARTS

GARLAND PARTS IDENTIFICATION
H280 Series Oven Section

ITEM	PART #	DESCRIPTION	QUANTITY					
			MODELS					
			H280	H288	H286	H289	H283/ H285	H284
41*	1374003	Kick Panel Upper S/S 30"			1			
	1374001	Kick Panel Upper 24" S/S	1					
	1374005	Kick Panel Upper 48"		1				
	1374007	Kick Panel Upper 60"					1	1
	1374009	Kick Panel Upper S/S G289				1		
42	1374111	Kick Panel Lower 30"			1			
	1374121	Kick Panel Lower 24" SS Blank	1					
	1374125	Kick Panel Lower 48" SS Blank		1				
	1374113	Kick Panel Lower					1	1
43	1374129	Kick Panel Lower 72" SS Blank				1		
	1082001	Lower Front Plate			1	2	2	2
	1368500	Lower Front Plate	1	2				
44*	1067801	Body Side Support						
45*	1090311	Tubing for Thermostat Manifold	1	2	1	2	1	2
46*	1392500	7/16 Tube Safety To Orifice	1	2	1	2	2	2
47*	G0742-1	1/4 Aluminum Tubing x 12.0"	1	2	1	2	2	2
48*	1369700	Oven Tubing	1	2				
	1439300	Oven Tubing Left			1	1	1	1
	1439500	Oven Tubing Right				1	1	1
49	1085999	Oven Valve	2	2	1	2	2	2
54*	1005598	Oven Bottom USE 1438494 Used Up to Nov./97						
	1438494	Oven Bottom Assembly Used From Nov./97						
Kits Available								
*	CK137A	Complete Door Assembly (Round) CAN/US						
	4512222A	H280 Door C/W SS Liner GCR						

* NOT ILLUSTRATED

^ PHOTO AT THE END

RECOMMENDED STOCK PARTS

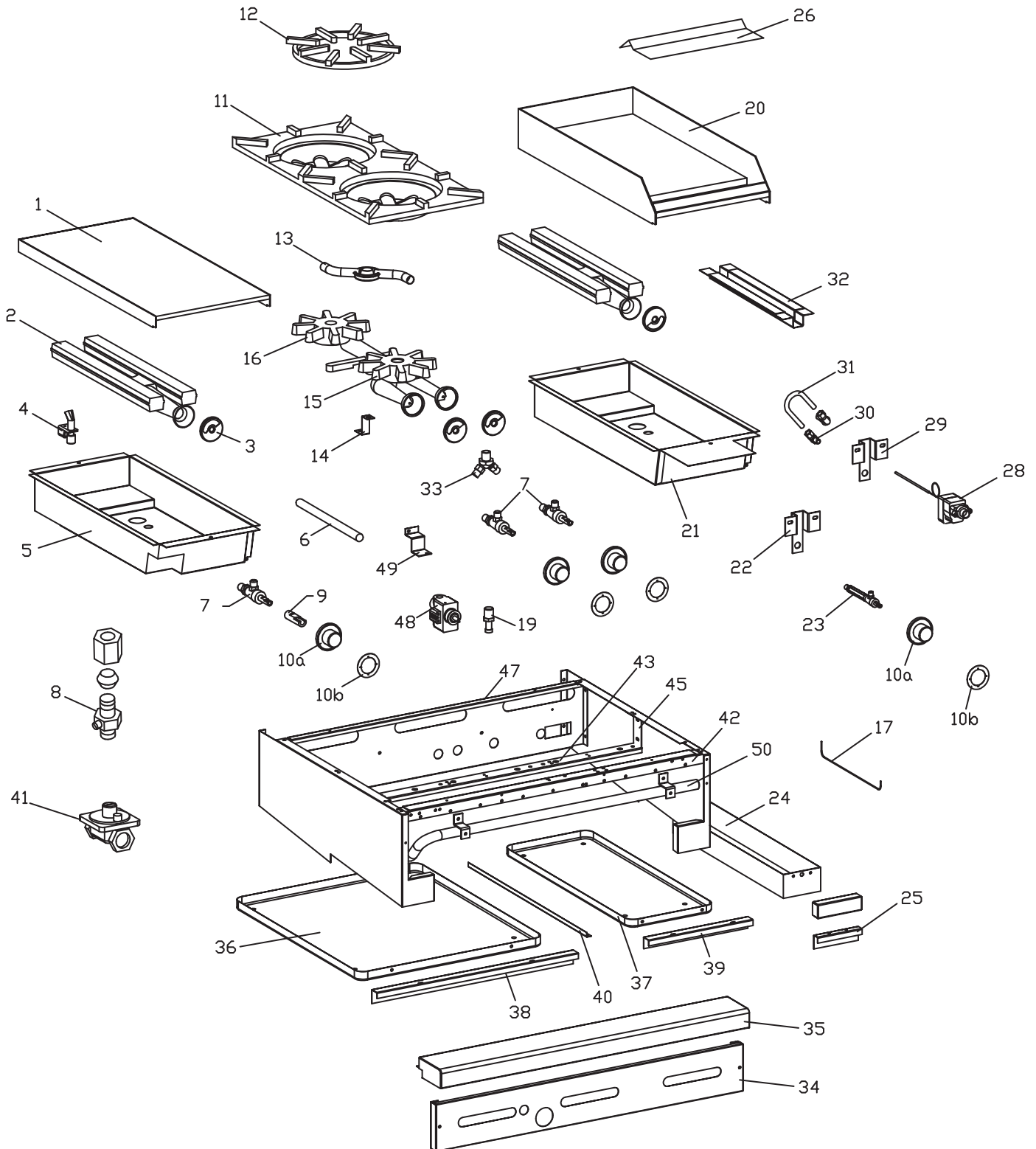
GARLAND PARTS IDENTIFICATION
H280 Series RC Oven Section

ITEM	PART #	DESCRIPTION	QUANTITY					
			MODELS					
			H280	H288	H286	H289	H283/ H285	H284
1*	2298300	Steel U Burner H280						
2^	078239-10	Oven Pilot Burner Assembly (Natural)						
	078239-11	Oven Pilot Burner Assembly (Propane)						
3^	4518817	Thermocouple 18" Long						
4*	1019600	Door Micro Switch						
5*	CK2485801	Fan Motor 115V (RC H/P280 Series)						
		Motor From Serial # 9904GR543R Up To Serial # 0204RG121R More details on Page 42						
6*	4515043	New RC Motor Kit 115V Used From April 1, 2002 or Serial # 0204RG121R More details on Page 43						
7*	G2840-1	Cord & Plug-Set 3/14 Wire 15A						
8*	1357702	Fire Plate						
17	4523398	Power Cord 3/14Ga - 15 Amp SJ00W	1	1	1	1	1	1

* NOT ILLUSTRATED

^ PHOTO AT THE END

RECOMMENDED STOCK PARTS



H280 Top Section.dwg

GARLAND PARTS IDENTIFICATION

H280 Series Surface Plate Section

HP-280 Series Parts

ITEM	PART #	DESCRIPTION	QUANTITY				
			MODEL				
			12"	24"	36"	48"	60"

Hot Top Section

1	2395099	Hot Top Assembly 12"	1	2	3	4	5
2	1014901	Griddle H Burner	1	2	3	4	5
3	1028002	Air Shutter	1	2	3	4	5
	2519200	Air Shutter	1	2	3	4	5
	1028003	Top Air Shutter	1	2	3	4	5
4	1415300	2C-2 Pilot Natural	1	2	3	4	5
	1415301	2C-2 Pilot Propane	1	2	3	4	5
5	2205399	Burner Box 12" S280	1	2	3	4	5
6	1028308	3/16 Aluminum Tubing	1	2	3	4	5
7	26878XX	Valve Assembly Less Hood LML-15	1	2	3	4	5
8	1086597	3/16 Pilot Adjusting Valve	1	2	3	4	5
9	2397199	1-1/4" Valve Extension					
10A	G02716-2	Dial - (Universal) Medium Shaft	1	2	3	4	5
10B	G02725-2	Dial Insert (OFF/MAX/MIN)	1	2	3	4	5
	G02725-21	Dial Insert (Blank)					

Open Burner Section

11	1726301	Cast Iron Top Grate	1	2	3	4	5
	2298999	Top Grate Assembly Enamelled	1	2	3	4	5
12	G6214	Top Ring Grate (No Pins) Cast Iron	2	4	6	8	10
	1361606	Ring Grate 20K - Porcelain	2	4	6	8	10
13	G7804-280	Lighter Assembly	1	2	3	4	5
14	2271100	Top Lighter Bracket 20K	1	2	3	4	5
15	2217300	Front Burner 20K	1	2	3	4	5
16	2217301	Rear Burner 20K	1	2	3	4	5
17	1032617	Top Lighter Tube 1/8 OD X 17					
18*	M8-42	Small Orifice 42 Size	2	4	6	8	10
	M8-47	Small Orifice 47 Size	2	4	6	8	10
	M8-55	Small Orifice 55 Size	2	4	6	8	10
19	1086199	Gum Valve 1/8					

Griddle Section - Valve HI-Low

20	2411399	12" Griddle Assembly REF:1728199	1				
	2411398	24" Griddle Assembly REF:1727599		1			
	2411297	36" Griddle RH Assembly REF:1727899			1		
	2411396	36" Griddle LH Assembly REF:1727898	1		1		
	2411395	48" Griddle Assembly REF:1728099		1	1		2
21	1728398	12" Insert Burner Box Assembly	1	2	3	4	5
	1728399	24" Insert Burner Box Assembly	1	2	3	4	5
22	2355900	Stabilizer Bracket	1	2	3	4	5
23	1086579	LP # 55F W/Ext.	1	2	3	4	5
	1086583	Hi-Low Valve Natural #47 W/Ext.	1	2	3	4	5
24	2354699	Grease Drawer Assembly	1	2	3	4	5
25	2355801	Grease Drawer Handle					
26	2631505	Grease Deflector 12"	1				
	2631504	Grease Deflector 72"					
	2631503	Grease Deflector 60"					1
	2631502	Grease Deflector 48"				1	
	2631501	Grease Deflector 24"		1			
	2631500	Grease Deflector 36"			1		

* NOT ILLUSTRATED

RECOMMENDED STOCK PARTS

GARLAND PARTS IDENTIFICATION

H280 Series Surface Plate Section

HP-280 Series Parts

ITEM	PART #	DESCRIPTION	QUANTITY				
			MODEL				
			12"	24"	36"	48"	60"
Griddle Section Thermostat							
28	1360200	Thermostat					
	1224504	Dial					
29	1729301	Orifice Holder					
30	M9-47	Large Orifice 47 Size					
	M9-55	Large Orifice 55 Size					
31	1729302	Orifice Tubing					
32	1473499	Bulb Clamp & Shield					
33	1510403	Gum Valve (Double) 1/8 x 3/16					
34	1730851	Vale Panel - H28 STD					
	1729751	Valve Panel - H286 STD					
	1729753	Valve Panel - H286-24/36 RT					
	1730951	Valve Panel - H284 STD					
	1730953	Valve Panel - H284-24/36 RT					
	2471700	Valve Panel H289 STD					
	2471800	Valve Panel H289-24/36 RT					
35	1730853	Valve Panel - H28-24					
	1728551	Front Rail 24" - H28					
	1728553	Front Rail 35" - H286					
	1728555	Front Rail 48" - H288					
	1728557	Front Rail 60" - H284					
	2471600	Front Rail 72" - H289					
36	1090003	Drip Pan Large 21x25					
37	1090103	Drip Tray Small 10x25					
38	1728803	Pan Handle 23-9/16 H286/H284					
	1728806	Drip Pan Handle 24-13/16 -H284					
	1728807	Drip Pan Handle 23-13/16 - H28					
39	2518600	Handle 12-13/16 H286					
	2518500	Handle 11-1/4 - H284					
40	2354700	Drip Pan Guide (Sides)					
	1414700	Drip Pan Guide					
41	2127500	Gas Regulator Propane 10"					
	2127502	Gas Regulator Natural 4.5"					
42	1729601	Front Channel 24" - H28					
	1085000	Front Channel H286 - 36"					
	1085100	Front Channel H284 - 60"					
43	2356800	Burner Rest 24" - H28					
	2354500	Burner Rest - H286					
	2354500	Burner Rest - H284					
45	1084200	Burner Rest Support					
46*	1414600	Burner Box Back Support					
47	1396500	Burner Box Back 24"					
	1396504	Burner Box Back - H286					
	1396505	Burner Box Back - H284					
48	G03145-048	F.D. Control Assembly					
49	1439800	FD Control Bracket					
50	2202699	Manifold -H28					
	2202799	Manifold - H288					
	1085898	Manifold - H286					
	1087197	Manifold - H284					
	9002599	Manifold - H289					

* NOT ILLUSTRATED

RECOMMENDED STOCK PARTS

GARLAND PARTS IDENTIFICATION

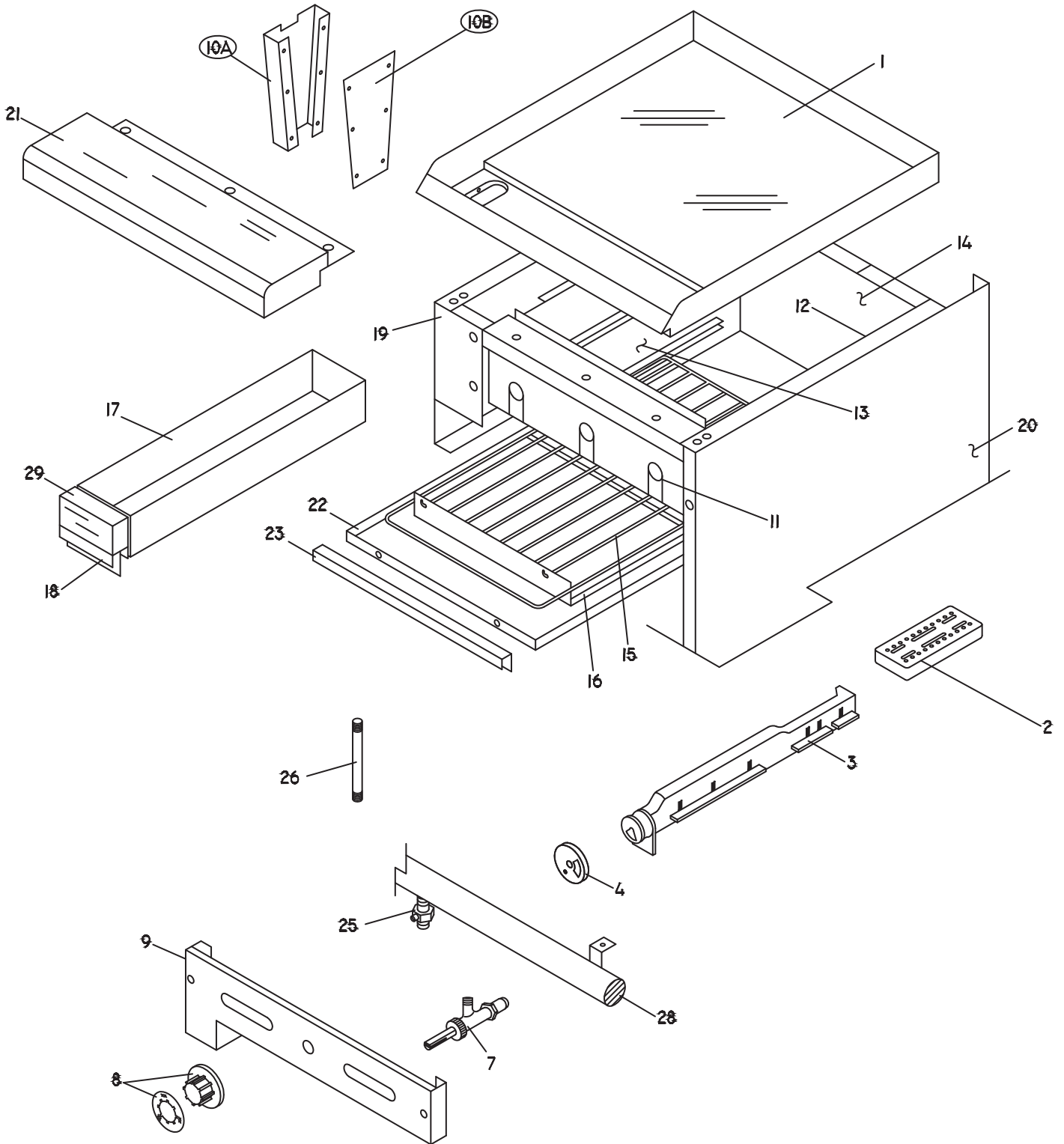
H280 Series Surface Plate Section

HP-280 Series Parts

ITEM	PART #	DESCRIPTION	QUANTITY				
			MODEL				
			12"	24"	36"	48"	60"
51*	2629200	Bracket - Inlet Manifold					
52*	1085200	Burner Box Front Channel Support					
53*	1439200	Center Burner Rest Support					

* NOT ILLUSTRATED

RECOMMENDED STOCK PARTS



H283-Raised Griddle Broiler Section.dwg

GARLAND PARTS IDENTIFICATION

Raised Griddle/Broiler Section

HP-280 Series Parts

ITEM	PART #	DESCRIPTION	MODEL	
			QUANTITY	
			H283	H285
1	1727596	Griddle Assembly 24" H283 SS	1	
	1727890	Griddle 36" - H285		1
2	1091000	Ceramic Radiant	8	8
3	1090500	Griddle Burner	3	3
	1014901	Griddle H Burner		1
	1728307	Insert Burner Box Assembly		1
4	1028002	Air Shutter	3	4
5*	1085700	Griddle Burner Rest	1	1
6*	1473700	Broiler Pilot Natural - H283	3	3
	1473701	Broiler Pilot Propane - H283	3	3
	1415300	2C-2 Pilot Natural		1
	1086000	2C-2 Pilot Propane		1
7	1086586	Hi-Low Valve Natural #51F -H283	3	3
	1086581	Hi-Low Valve Propane #56F-H283	3	3
	1086583	Hi-Low Valve Natural #47 W/EXT		1
	1086579	LP #55 W/EXT		1
8	G02716-2	Dial- (Universal) Medium shaft	3	4
	G02725-2	Dial Insert (OFF/MAX/MIN)	3	4
9	1731801	Valve Panel H283	1	
	1730103	Valve Panel Raised Grid		1
10A	2404300	Grease Chute Front H283	1	
	2681600	Grease Chute Front		1
10B	2404400	Grease Chute Back	1	
	2681700	Grease Chute Back		1
Note: Grease chute not available as a complete assembly. Both the grease chute front and rear components would be required, for a complete chute assembly.				
11	1414901	Broiler Valve Shield	1	1
12	1081999	Griddle Right Side Liner Assembly	1	1
13	1081997	Broiler Left Side Liner - H283	1	1
14	1511200	Griddle Back Lining	1	1
15	1090600	Broil Rack Chrome	1	1
16	1090797	Broiler Rack Dip Shield	1	1
17	1729501	Grease Drawer 283	1	
	2354699	Grease Drawer Assembly		1
18	1728802	Grease Drawer Handle	1	
19	1084704	Broiler Box Left Side	1	1
20	1605003	Broiler Box Right Side	1	1
21	1728602	Front Rail H283	1	
	1728603	Front Rail 285 RGB		1
	1728503	Front Rail 36" - H283		
	1728501	Front Rail 24" - H285		
22	1728810	Drip Pan H283/285	1	1
23	1728809	Drip Pan Handle - H283	1	1
24*	1281998	Griddle Front Splash Assembly 24"	1	
	12181997	Griddle Front Splash Assembly 36"		1

* NOT ILLUSTRATED

RECOMMENDED STOCK PARTS

GARLAND PARTS IDENTIFICATION

Raised Griddle/Broiler Section

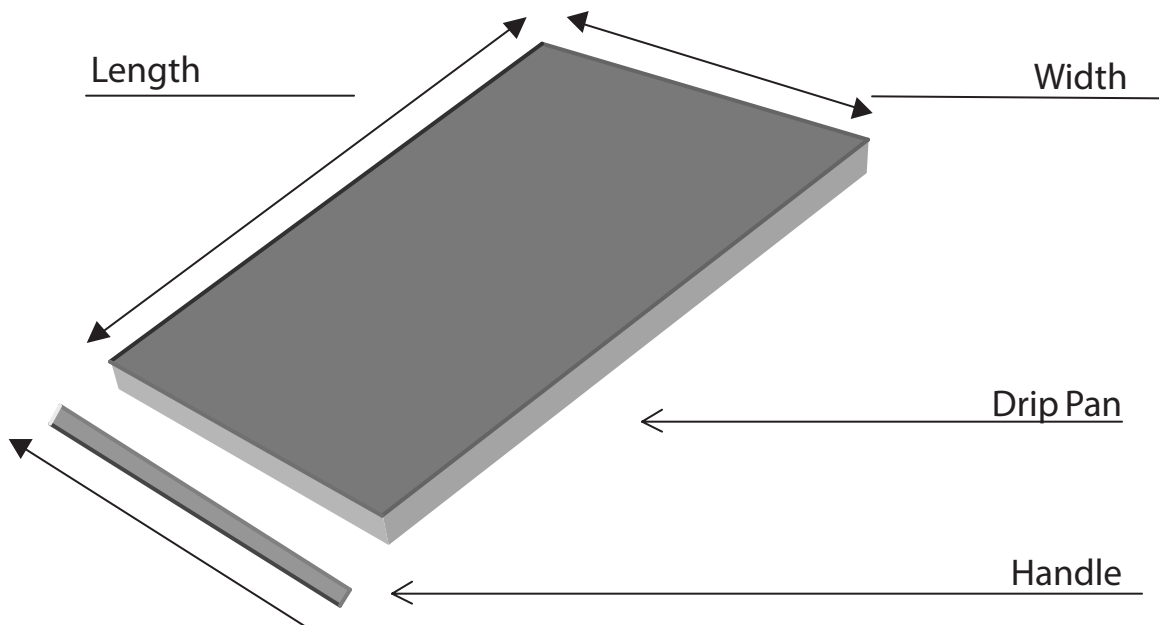
HP-280 Series Parts

ITEM	PART #	DESCRIPTION	MODEL	
			QUANTITY	
			H283	H285
25	1086597	3/16 Pilot Adjusting Valve	3	4
26	1208304	3/16 Aluminum Tubing 4.500"	3	3
27*	1415100	Broiler Pilot Bracket - H283	3	3
28	2202999	Manifold Assembly Flame	1	
	2202899	Manifold Assembly Flame		1
29	2363300	Handle Griddle Drawer F/H283	1	
	2355801	Grease Drawer Handle		1
30*	1473701	Broiler Pilot Propane-H283		

* NOT ILLUSTRATED

RECOMMENDED STOCK PARTS

H280 Drip Pans and Handles



The most accurate way to determine the right drip pan and drip pan handle is to get the dimensions from the customer. In this list we have provided all the part numbers and dimensions of the pans and handles.

Drip Pans

1090003	25 1/2" x 21 3/4"
1090103	25 1/2" x 10"
1728810	25 1/2" x 20 1/4"

Drip Pan Handle

1728807	23 13/16"
1728806	24 3/16"
1728823	29 5/8"
1728803	23 9/16"
2518500	11 1/4"
1728809	21"
2518600	12 3/16"
Fake Handle (no drip pan, just a cover)	1728808

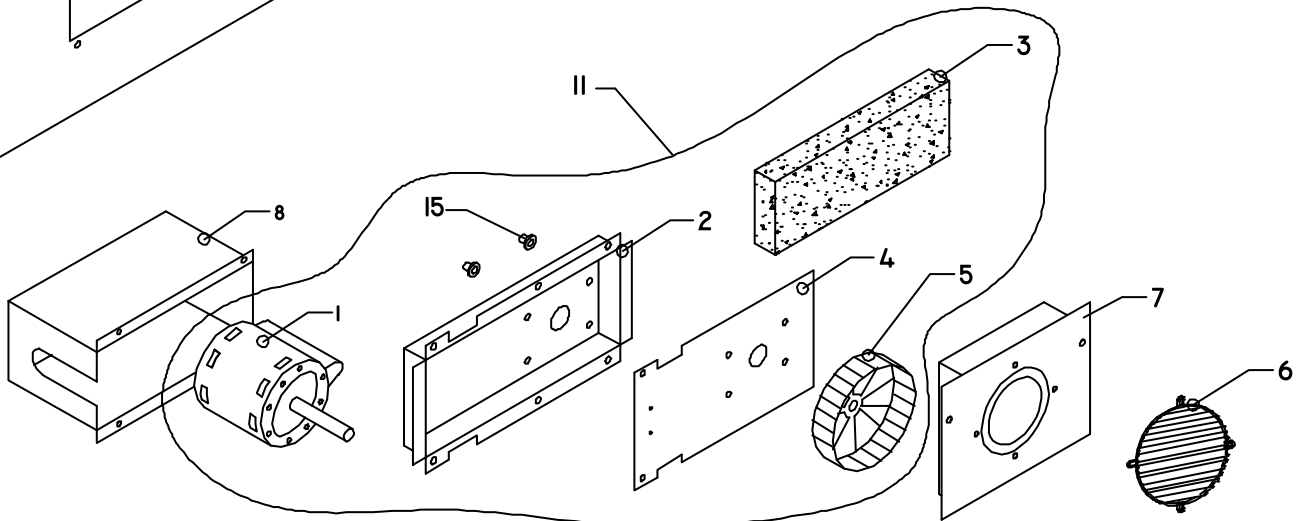
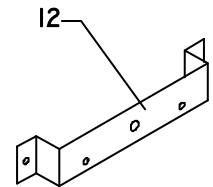
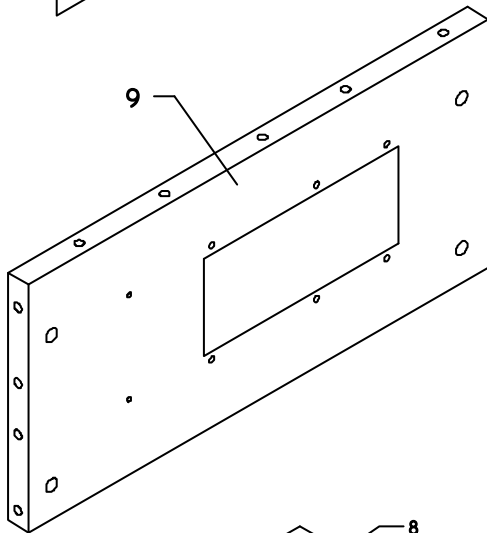
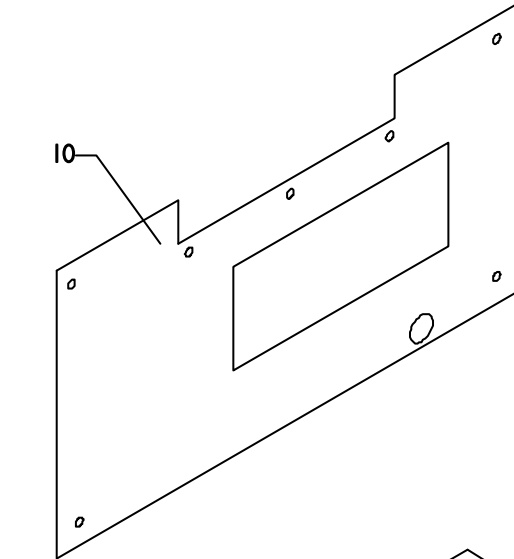
Please note that in the H280 series we used only Stainless Steel drip pan handles

H280 CONVECTION OVEN MOTOR FROM SERIAL # 9904GR54R TO SERIAL # 0204RG121R

ITEM	PART #	DESCRIPTION
1	2485801	Motor 115V 1/3 hp
	2485800	Motor 209.240V. 1/3 hp
2	2396600	Motor Mount Pocket
3	1669101	Pocket Insulation Board
4	2396700	Motor Mounting Plate
5	G02952-01P	Blower Wheel
6	2520100	Fan Protector Screen
7	2395999	Air Baffle Assembly
8	2519799	Motor Guard Assembly
9	2396800	Casing Back
10	2397000	Main Back RC
11	CK2485801	Fan Motor Assembly 115 Volts Included Item# 1, 2, 3, 4, 5, 15
12	1361298	Air Baffle Support Assembly (Qty of 2 per Oven)
13*	F542	Washer #10 Padded Aluminum (Qty of 2 Required For Mounting Air Baffle Assembly)
14*	F543	#10-24 S/S Wing Screw (Qty. of 2 Required for Mounting Air Baffle Assembly)
15	G01503-3	Weldnut 1/4-20 (Qty. 8)

* NOT ILLUSTRATED

RECOMMENDED STOCK PARTS



H280.dwg

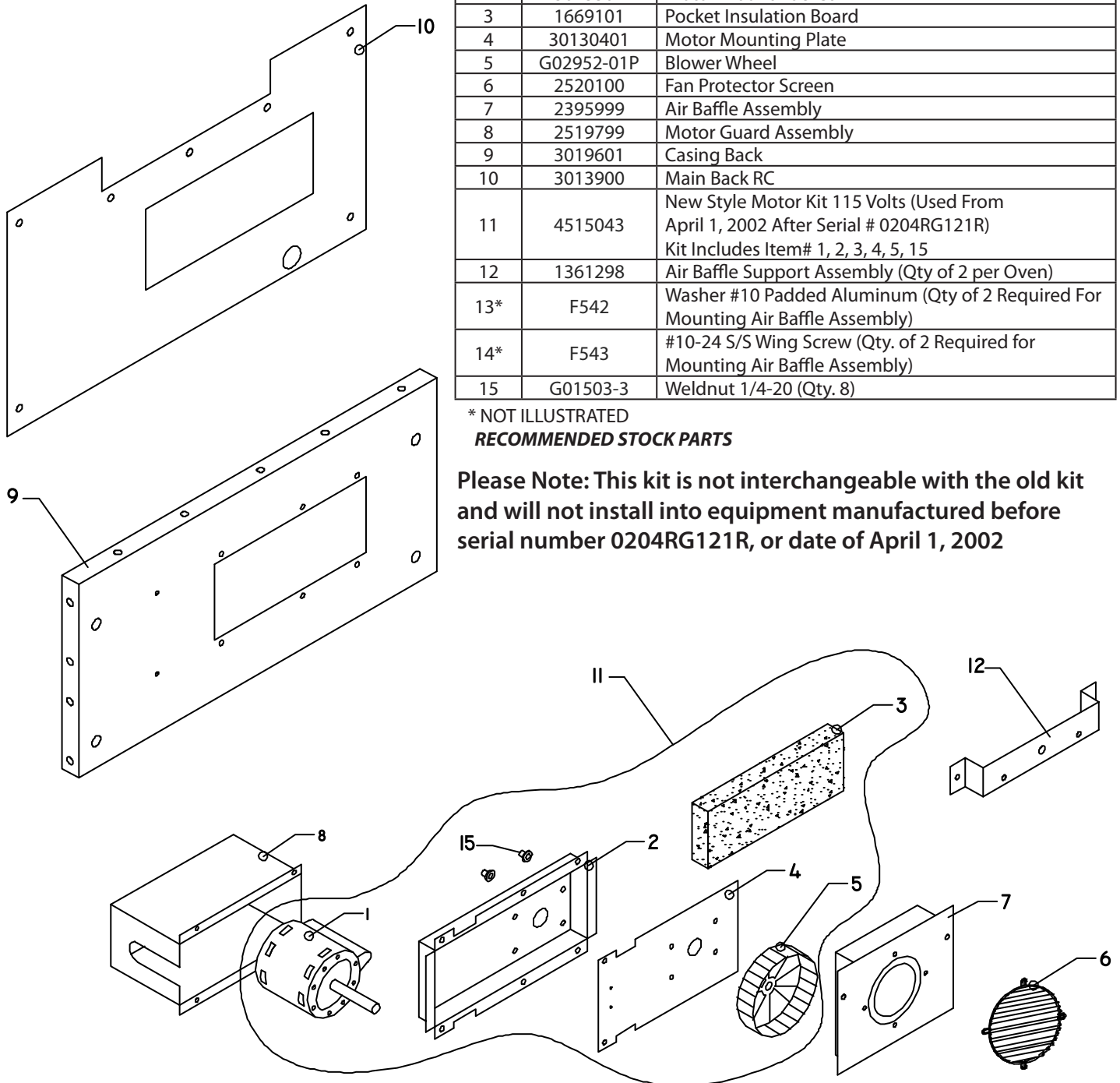
H280 CONVECTION OVEN MOTOR SECTION USED FROM SERIAL NUMBER
0204RG121R, FROM APRIL 1, 2002

ITEM	PART #	DESCRIPTION
1	2485801	Motor 115V 1/3 hp
	2485800	Motor 209.240V. 1/3 hp
2	3013301	Motor Mount Pocket
3	1669101	Pocket Insulation Board
4	30130401	Motor Mounting Plate
5	G02952-01P	Blower Wheel
6	2520100	Fan Protector Screen
7	2395999	Air Baffle Assembly
8	2519799	Motor Guard Assembly
9	3019601	Casing Back
10	3013900	Main Back RC
11	4515043	New Style Motor Kit 115 Volts (Used From April 1, 2002 After Serial # 0204RG121R) Kit Includes Item# 1, 2, 3, 4, 5, 15
12	1361298	Air Baffle Support Assembly (Qty of 2 per Oven)
13*	F542	Washer #10 Padded Aluminum (Qty of 2 Required For Mounting Air Baffle Assembly)
14*	F543	#10-24 S/S Wing Screw (Qty. of 2 Required for Mounting Air Baffle Assembly)
15	G01503-3	Weldnut 1/4-20 (Qty. 8)

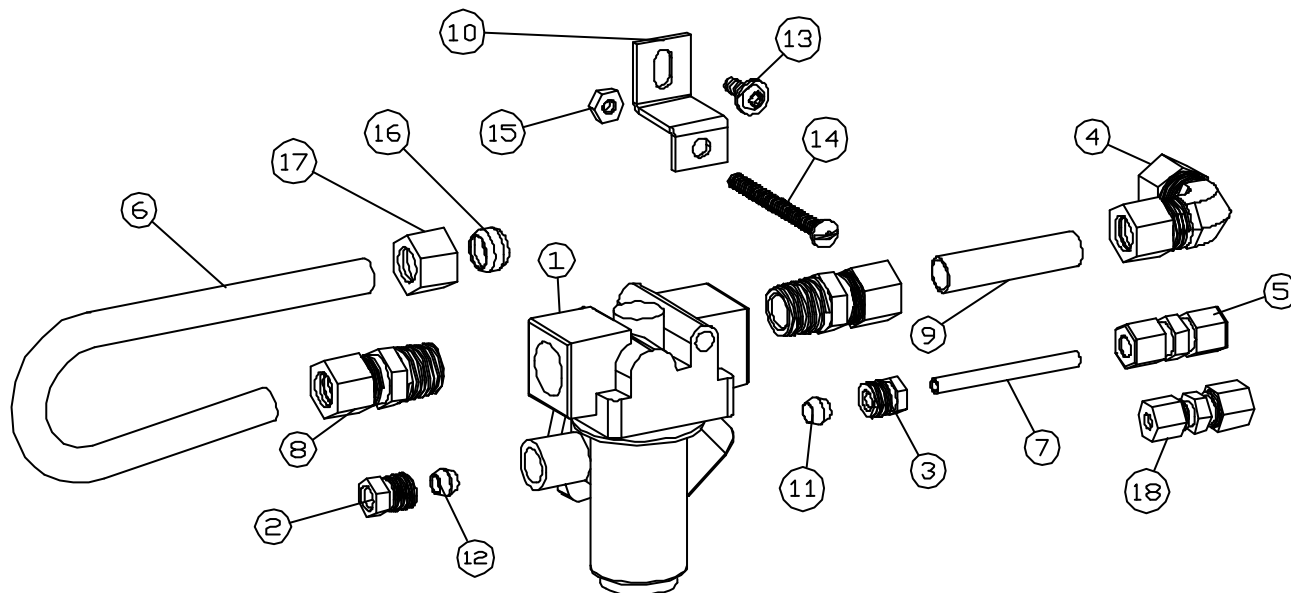
* NOT ILLUSTRATED

RECOMMENDED STOCK PARTS

Please Note: This kit is not interchangeable with the old kit and will not install into equipment manufactured before serial number 0204RG121R, or date of April 1, 2002



H280.dwg



GARLAND IDENTIFICATION

H280 Series Ranges

Baso Valve

ITEM	PART #	DESCRIPTION	QTY
1	1415703	Hi Temp Safety Baso Valve	1
2	M225	1/4 Tube Comp Nut	1
3	M231	3/16 Tube Comp Nut	1
4	1313800	7/16cc x 7/16cc 90 Deg Elbow	1
5	076050-89	3/16cc x 3/16cc Comp Union	1
6	4518708	7/16 Tubing Safety Valve To Oven Orifice	1
7	4518716	3/16 Tubing Comp Union To Safety Valve Inlet	1
8	1095499	7/16cc x 3/8 NPT Straight Connector	1
9	4518715	7/16 Tubing Elbow to Straight Connector	1
10	1391500	Safety Valve Bracket	1
11	M126	3/16 Tubing Ferrule	1
12	M124	1/4 Tubing Ferrule	1
13	F60	#10A x 5/8 Sheetmetal Screw	1
14	F16	#10-24 x 2.5 RD HD Machine Screw	1
15	F312	#10-24 Locknut	1
16	M122	7/16 Tubing Ferrule	1
17	M123	7/16 Comp Nut	1
18	G62R-43	1/4cc x 16cc Comp Union	1
^	4518689	Include All Item Numbers 1 through 18	

^ NOT ILLUSTRATED

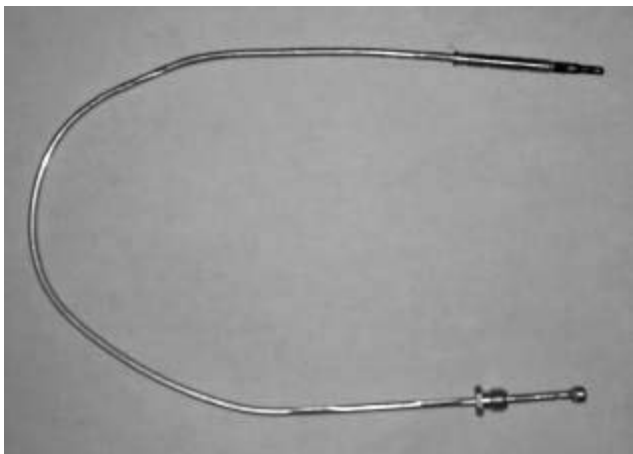
RECOMMENDED STOCK PARTS



**G01479-01 TS11J Safety Valve
(Page 32 Item 37A)**



**1415703 High Temp Baso Valve
(Page 32 Item 37C)**

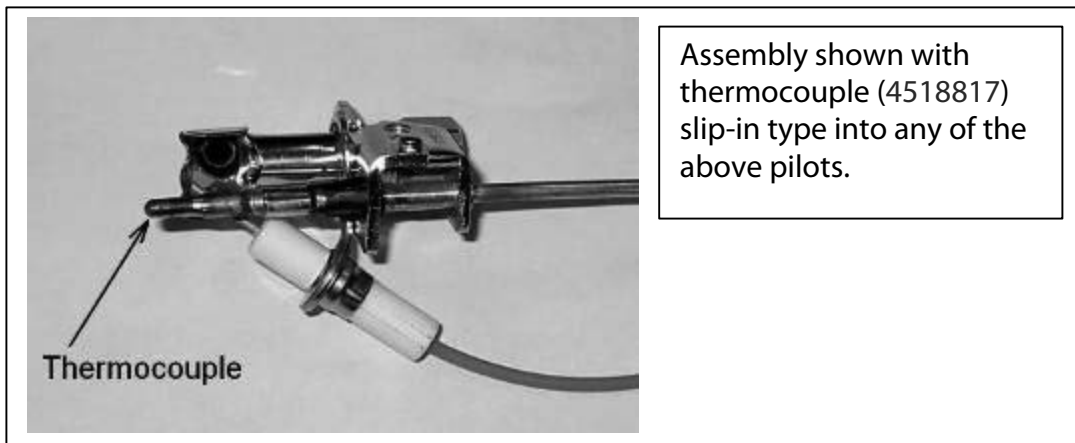
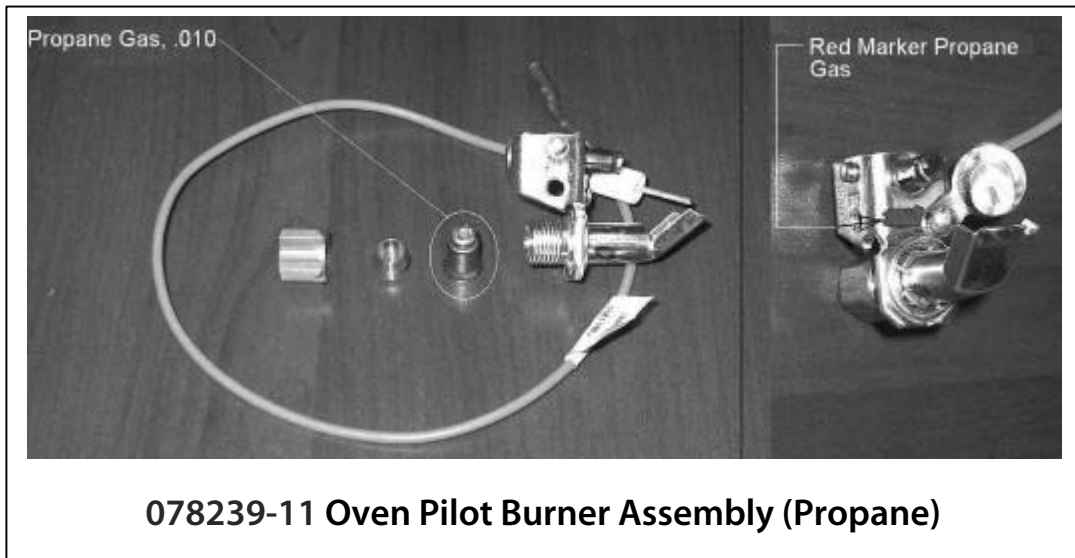
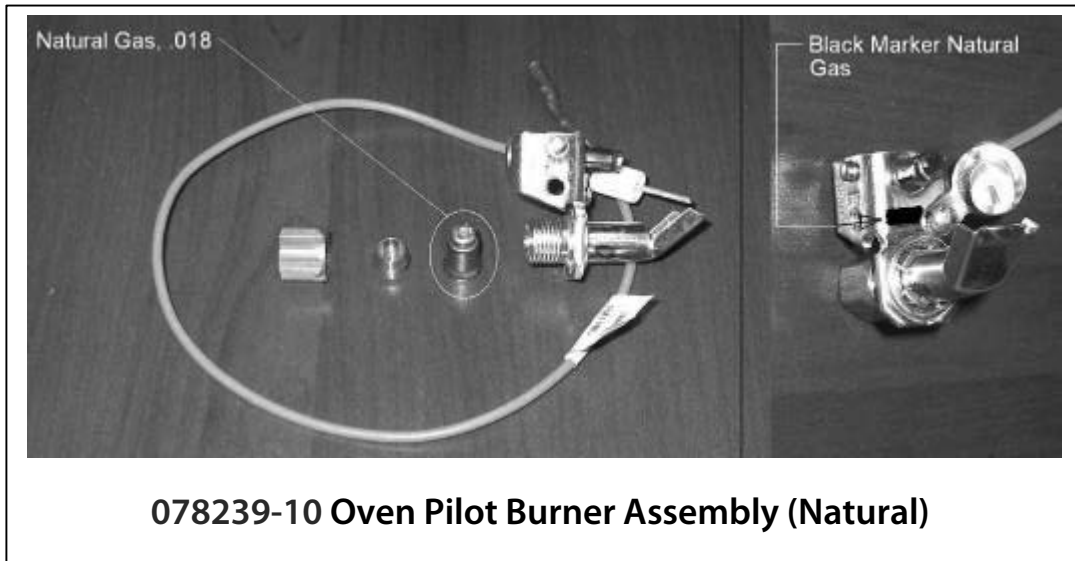


**4518817 Thermocouple 18" Long
(Slip-in Type) Used with TS11 & Baso
Valve
(Page 32 Item 37D)
(Page 9 Item 3)**

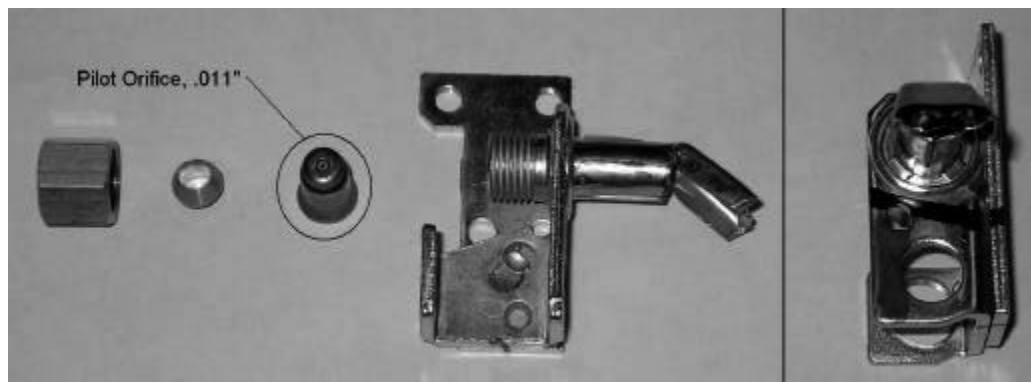


4519723 S/S Adjustable Leg (Opt)

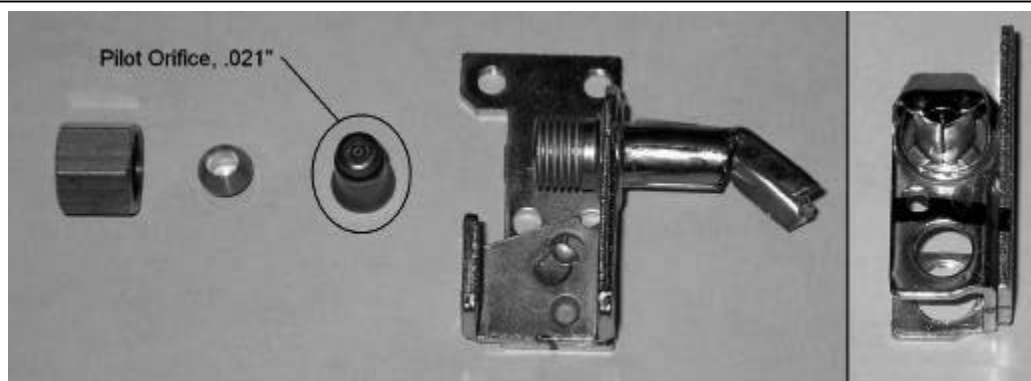
Convection Oven Pilot Burners



Standard Oven Pilot Burners



**1028298 Oven Pilot Burner Assembly (Propane)
Black & Red Marker Indicates Propane Gas**



**1028299 Oven Pilot Burner Assembly (Natural)
Black Marker Indicates Natural Gas**



Assembly shown with
thermocouple (1019418)
screw-in type into any of
the above pilots.

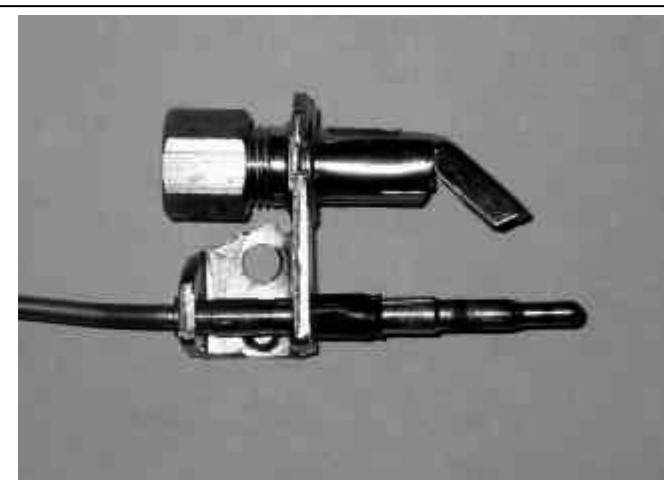
Standard Oven Pilot Burners



**1415300 Oven Pilot Burner Assembly (Natural)
Black Marker Indicates Natural Gas**



**1415301 Oven Pilot Burner Assembly (Propane)
Red Marker Indicates Propane Gas**



Assembly shown with thermocouple (4518817) slip-in type into any of the above pilots.

GARLAND PARTS IDENTIFICATION

Revision History

REV. #	PAGE #	ITEM #	NOTE	DATE
16	5	2,3	Photo At The End Footnote Added	Apr 27/05
	9	2A	New Part # – Error In Manual – Was 078239-4 & -5	
		3	Error in Manual – Was 1019418	
	30		New Drawing	
	31	16A	Error In Manual – New Part Numbers Added	
		17	New Part Number Added	
	47, 48, 49		New Photos	
17	10	45	Description Changed	Jun 28/05
	33	5		
18	5	3	Part # 1415000 replaced by 4518817 – Totally interchangeable	Jul 29/05
	9			
	30		New Drawing	
	31	17	Removed – Was Duplicate	
	32	24	Asterisk Added	
		29	Asterisk Removed	
		37B	Part# 1415000 Deleted – Replaced by 4518817	
	33	3	Totally Interchangeable	
		43	Asterisk Removed	
45, 47, 49		Photos updated		
19	34	7 Thru 10	Updated Drawing	Aug 26/05
	35		Item Numbers Changed	
		19	Part Number M8-43 Replaced by M8-42	
20	49		Part # Were Switched – Correction Made	Jan 03/05
21	31	13A	Part Number 4519432 & 4519433 Added	Feb 27/06
	31,32,33		Entire Table Reformatted	
	32	28	Items 1589100 & 1589101 Added omitted in error	
38A		Item Added Omitted in error		
22	42		New Drawing	Apr 3/08
	43			
	33	5, 6	Description Changed	
8		New Part Number Added		
23	38		New Drawing – Item 10A & 10B	Jul 07/08
	39	10A, 10B	Letters A & B Added on the Item Number – Note Added Under Description	
24	8,30		New Drawing	Aug 01/08
	10	65	New Part Number Added	
			Critical Column Added	
	33	17	New Part Number Added	

NOTES

 **Garland**[®]