



GARLAND MODEL

ELECTRIC COUNTER PIZZA/BAKE OVENS

***CPO-ES-12H, CPO-ED-12H, CPO-ED-22,
CPO-ED-22H & CPO-ED-24H,
CBO-ES-11, CBO-ED-11***

PARTS LIST

Toll Free Phone, (US & Canada): (800) 427-6668

Toll Free Fax, (US & Canada): (800) 361-7745

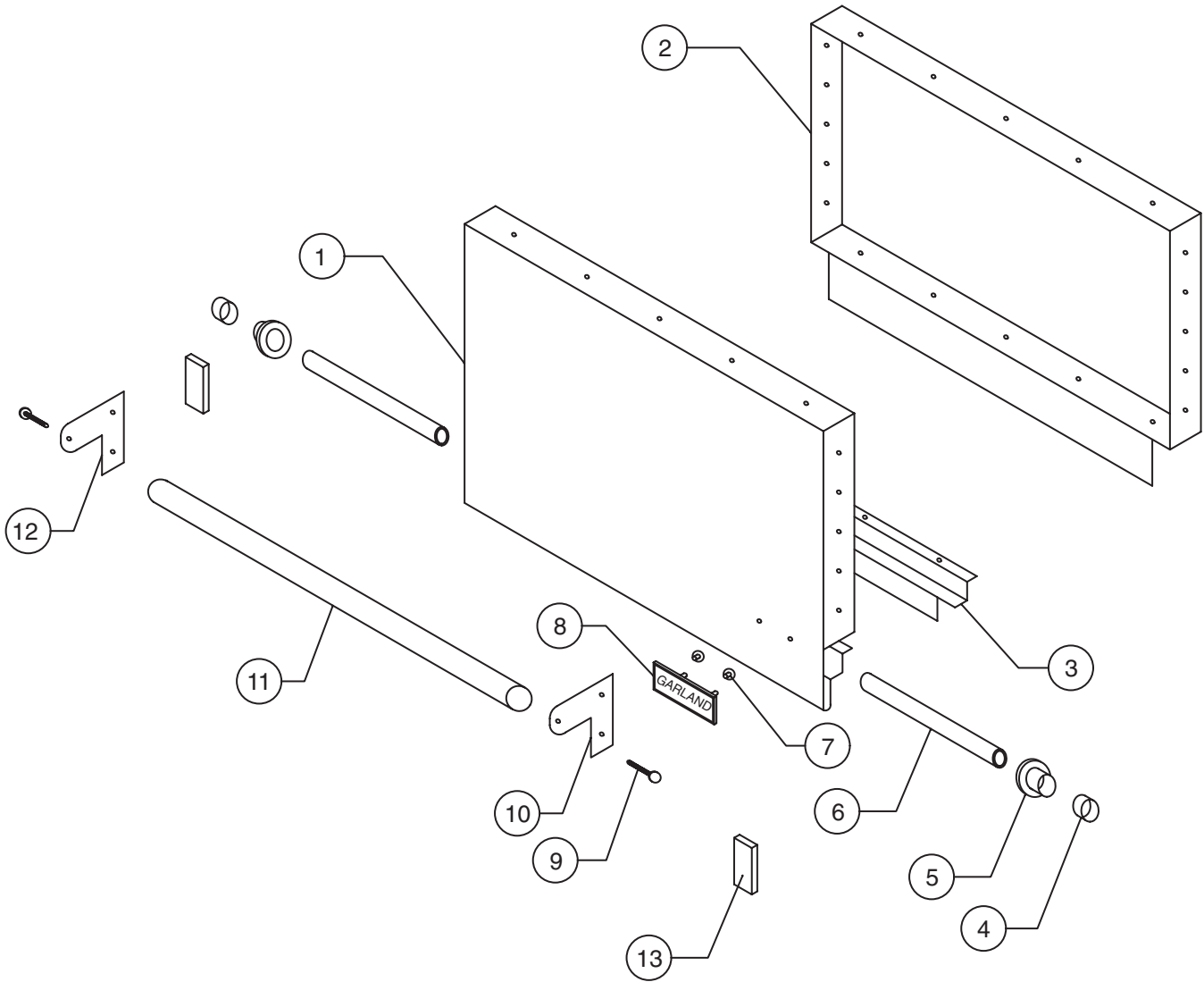
<http://www.garland-group.com>



***GARLAND MODEL
ELECTRIC COUNTER PIZZA/BAKE OVENS
CPO-ES-12H, CPO-ED-12H, CPO-ED-22,
CPO-ED-22H & CPO-ED-24H,
CBO-ES-11, CPO-ED-11***

Contents:

CPO-ES-12H, CBO-ES-11 Solid Door	Page 4
CPO-ED-12H, CPO-ED-22, CPO-ED-22H, CPO-ED-24H and CBO-ED-11 Solid Door	Page 6
CPO-ED-12H, CPO-ED-22, CPO-ED-22H, CPO-ED24H and CBO-ED-11 Window Door	Page 8
CPO-ES-12H, CPO-ED-12H Control Panel	Page 10
CBO-ES-11, CBO-ED-11 Control Panel.....	Page 12
CPO-ED-22, CPO-ED-22H, CPO-ED-24H Control Panel	Page 14
CPO-ES-12H Cook Shelf Assembly	Page 16
CPO-ED-12H, CPO-ED-22, CPO-ED-22H and CPO-ED-24H Cook Shelf Assembly	Page 18
CBO-ES-11 Cook Shelf Assembly	Page 20
Exterior Single Deck Units.....	Page 22
Exterior Double Deck Units	Page 24



GARLAND PARTS IDENTIFICATION

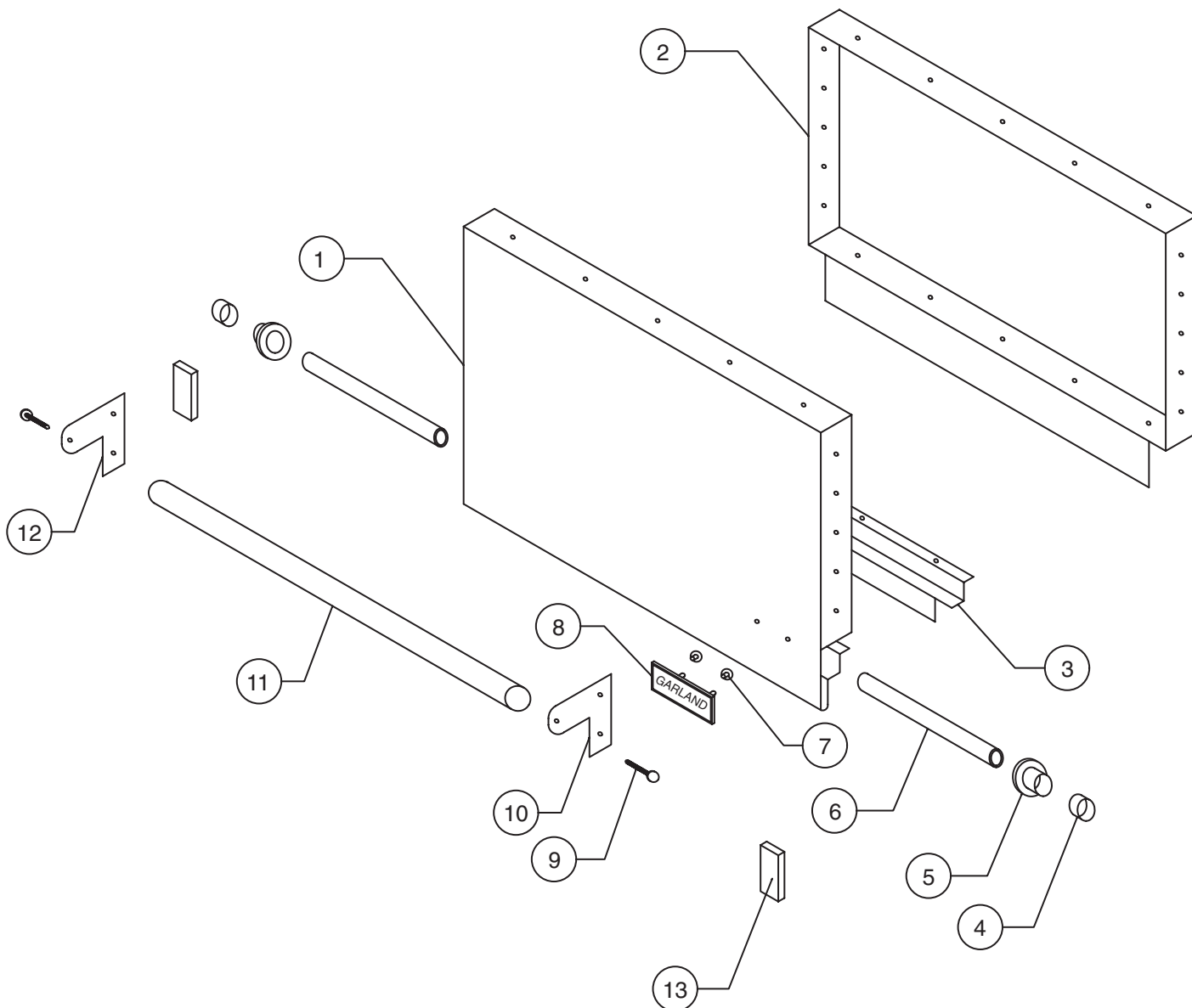
Models: CPO-ES-12H, CBO-ES-11

Solid Door Assembly

ITEM	PART #	DESCRIPTION	QUANTITY	
			MODEL	
			CPO- ES-12H	CBO-ES-11
1	4055201	Outer Door Panel Solid	1	1
2	4055202	Inner Door Panel Solid	1	1
3	4055203	Door Panel Hinge Supt.	1	1
4	4061902	Door Spacer	2	2
5	4055410	Hinge Cup	2	2
6	4055204	Hinge Pin	2	2
7	1019800	Pal Nut	2	2
8	1902919	Garland Logo	1	1
9	8003605	Carriage Bolt	2	2
10	1634505	Handle End Right	1	1
11	4056998	Handle Assy	1	1
12	1634504	Handle End Left	1	1
13	4065101	Teflon Door Filler	2	2
*	4055259	Solid Door Assy Complete	1	1

* NOT ILLUSTRATED

RECOMMENDED STOCK PARTS



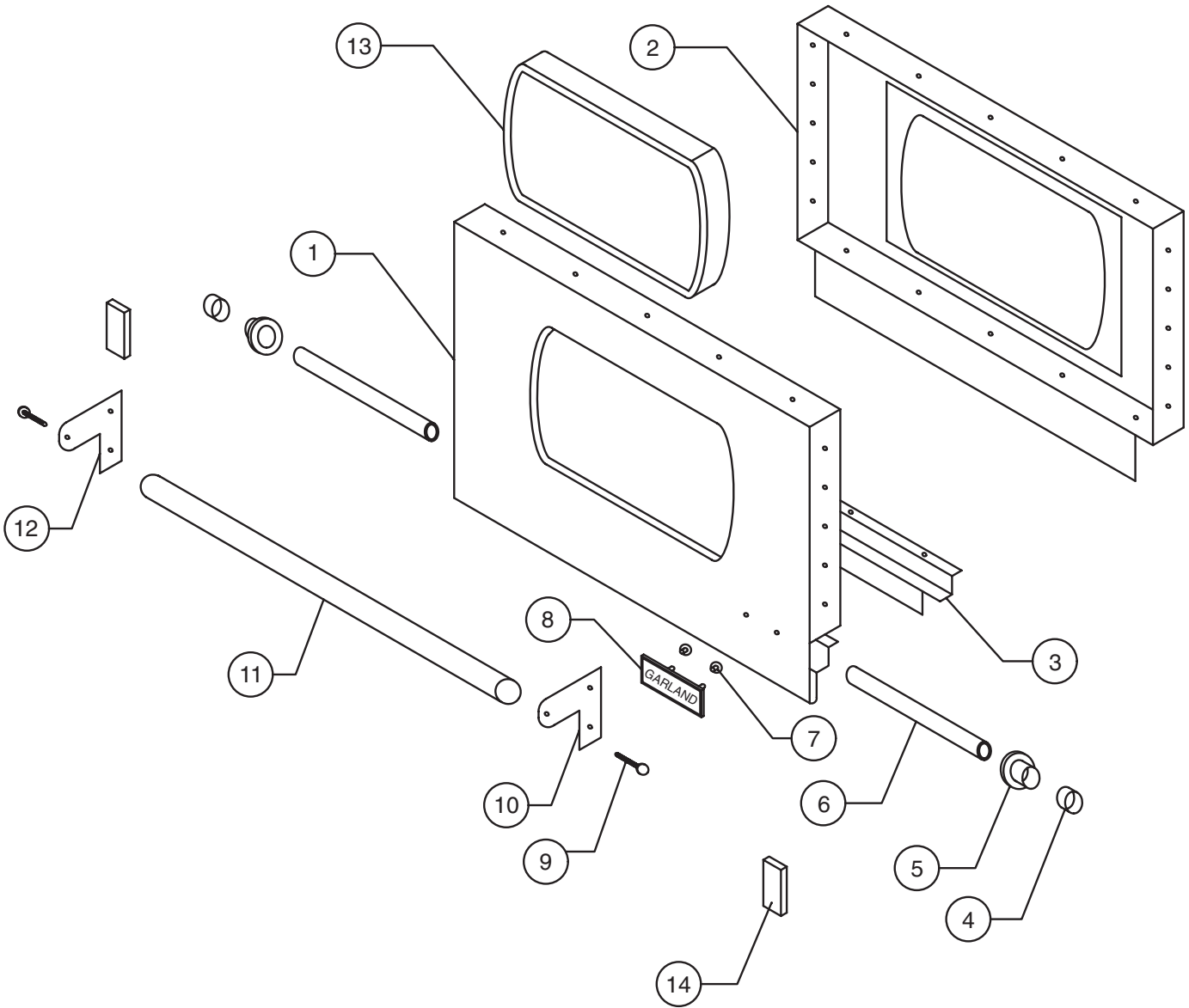
GARLAND PARTS IDENTIFICATION
Models: CPO-ED-12H, -22, -22H, -24H; CBO-ED-11

Solid Door Assembly

ITEM	PART #	DESCRIPTION	QUANTITY				
			MODEL				
			CBO-ED-11	CPO-ED-12H	CPO-ED-22	CPO-ED-22H	CPO-ED-24H
1	4058211	Outer Door Panel Solid	1	1	2	2	2
2	4058212	Inner Door Panel Solid	1	1	2	2	2
3	4058203	Door Panel Hinge Supt.	1	1	2	2	2
4	4061901	Door Spacer	2	2	4	4	4
5	4055410	Hinge Cup	2	2	4	4	4
6	4055204	Hinge Pin	2	2	4	4	4
7	1019800	Pal Nut	2	2	4	4	4
8	1902919	Garland Logo	1	1	2	2	2
9	8003605	Carriage Bolt	2	2	4	4	4
10	1634505	Handle End Right	1	1	2	2	2
11	4056996	Handle Assy	1	1	2	2	2
12	1634504	Handle End Left	1	1	2	2	2
13	4065101	Teflon Door Filler	2	2	4	4	4
*	4058259	Solid Door Assy Complete	1	1	2	2	2

* NOT ILLUSTRATED

RECOMMENDED STOCK PARTS

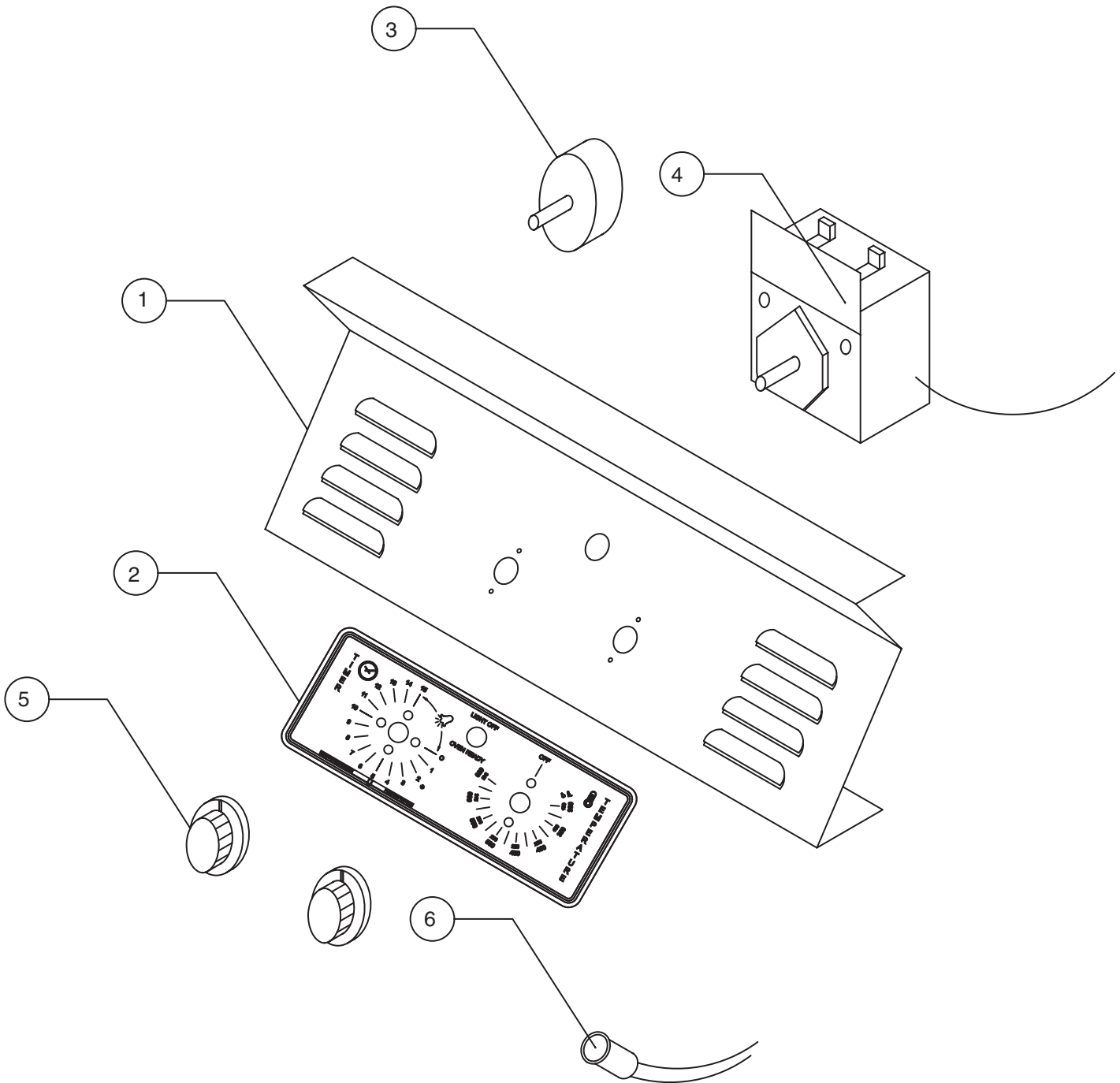


GARLAND PARTS IDENTIFICATION
Models: CPO-ED-12H, -22, -22H, -24; CBO-ED-11
Door Assembly With Window

ITEM	PART #	DESCRIPTION	QUANTITY				
			MODEL				
			CBO-ED-11	CPO-ED-12H	CPO-ED-22	CPO-ED-22H	CPO-ED-24H
1	4060212	Outer Door Panel W / Window	1	1	2	2	2
2	4060298	Inner Door Panel W / Window	1	1	2	2	2
3	4058203	Door Panel Hinge Supt.	1	1	2	2	2
4	4061901	Door Spacer	2	2	4	4	4
5	4055410	Hinge Cup	2	2	4	4	4
6	4055204	Hinge Pin	2	2	4	4	4
7	1019800	Pal Nut	2	2	4	4	4
8	1902919	Garland Logo	1	1	2	2	2
9	8003605	Carriage Bolt	2	2	4	4	4
10	1634505	Handle End Right	1	1	2	2	2
11	4056996	Handle Assy	1	1	2	2	2
12	1634504	Handle End Left	1	1	2	2	2
13	1182010	Window	1	1	2	2	2
14	4065101	Teflon Door Filler	2	2	4	4	4
*	4060259	Window Door Assy Complete	1	1	2	2	2

* NOT ILLUSTRATED

RECOMMENDED STOCK PARTS



Sk00-27
REV 0

GARLAND PARTS IDENTIFICATION

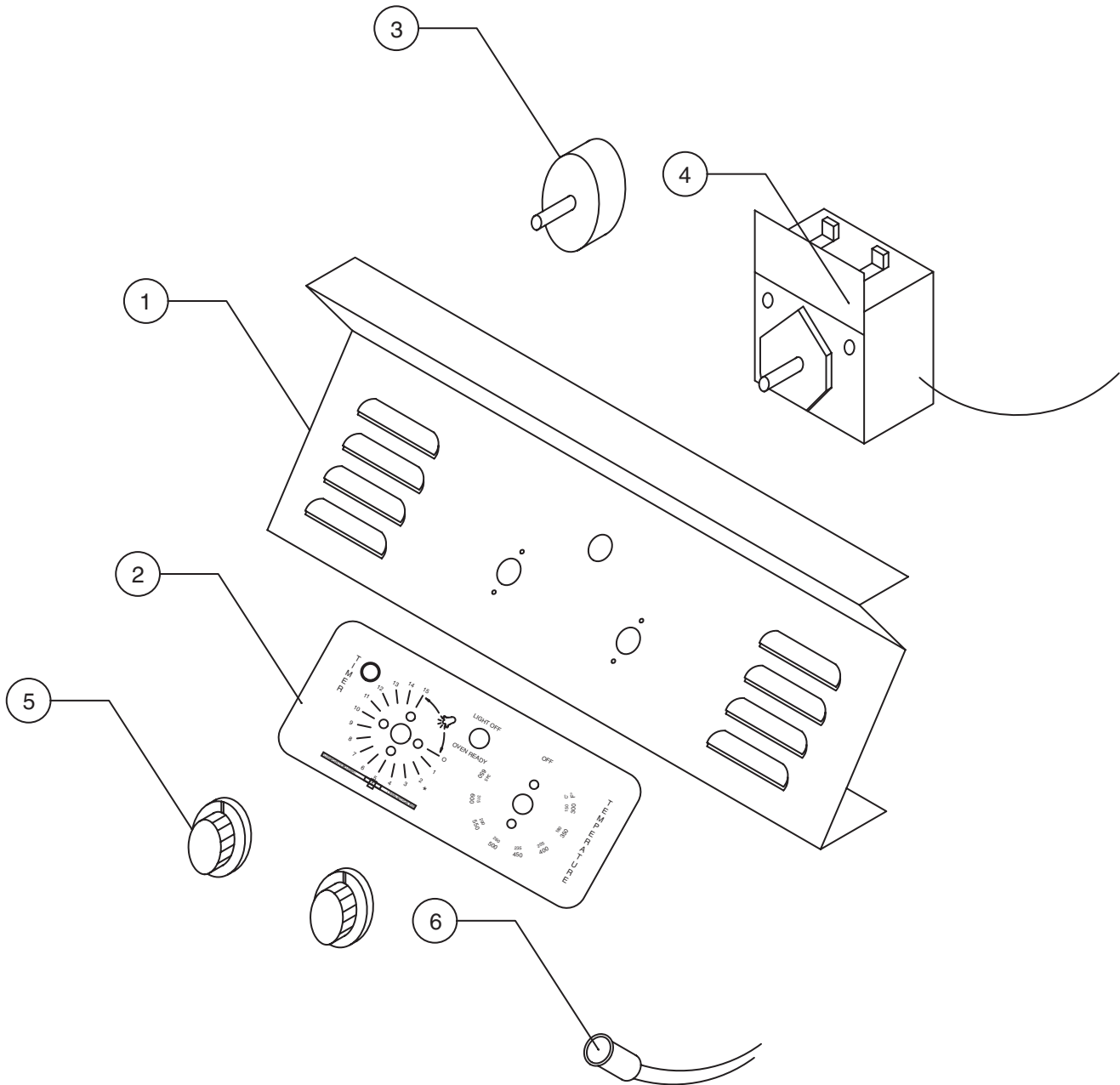
CPO-ES-12H, CPO-ED-12H

Control Panel

ITEM	PART #	DESCRIPTION	QUANTITY	
			MODEL	
			CPO-ES-12H	CPO-ED-12H
1	4055703	Control Panel	1	
	4058701	Control Panel		1
2	1915703	Overlay 15minute / 650° Thermostat	1	1
	1915704	Overlay 60 Minute / 650° Thermostat	1	1
3	2127100	Timer 15 Minute	1	1
	2127101	Timer 60 Minute	1	1
4	1948301	Thermostat 650° 36" Capillary	1	
	1948302	Thermostat 650° 72" Capillary	1	1
5	1765802	Knob	2	2
6	1009696	Pilot Light 120 Volt	1	
	1006498	Pilot Light 208 / 240 Volt	1	1

* NOT ILLUSTRATED

RECOMMENDED STOCK PARTS



GARLAND PARTS IDENTIFICATION

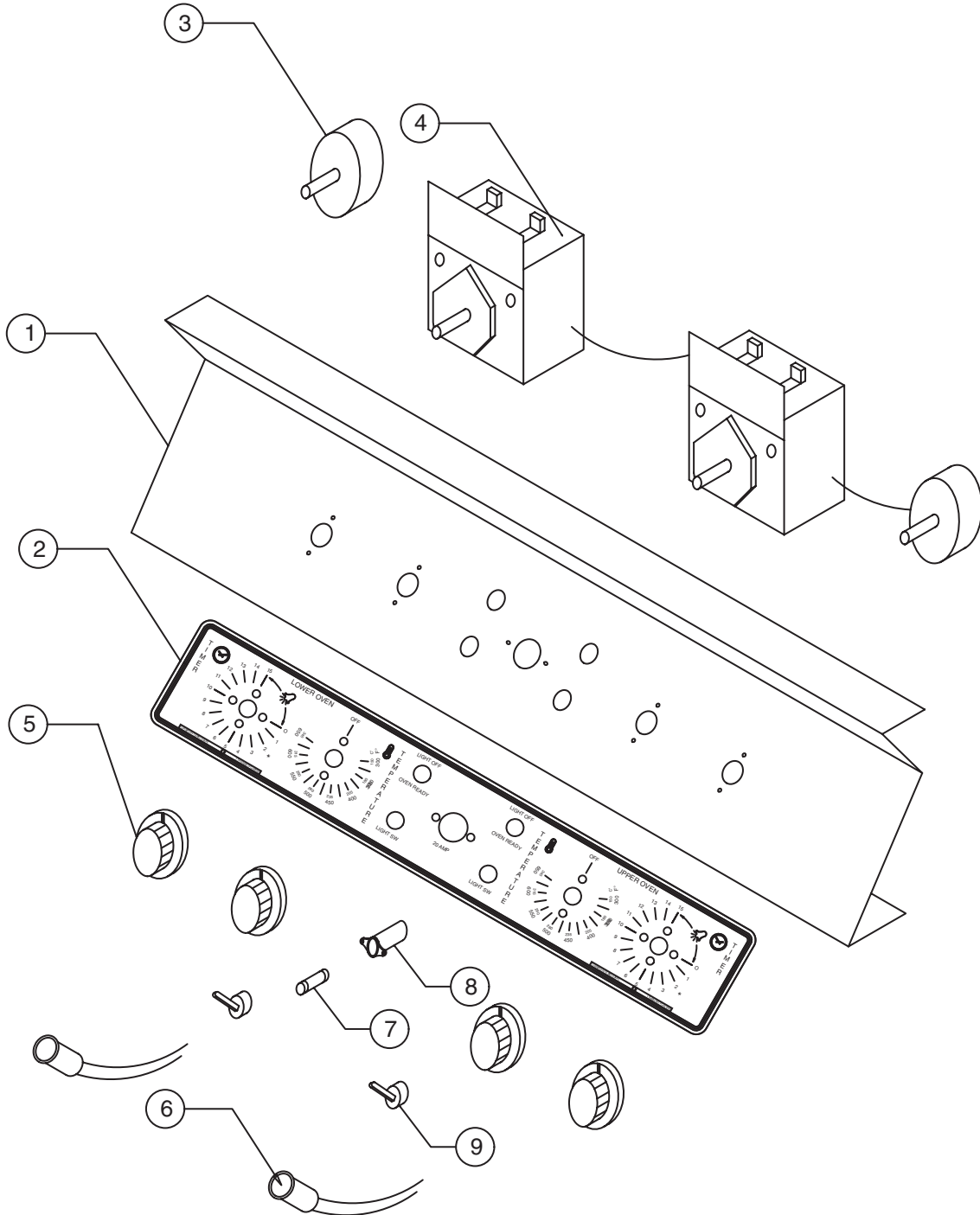
CBO-ES-11, CBO-ED-11

Control Panel

ITEM	PART #	DESCRIPTION	QUANTITY	
			MODEL	
			CBO-ES-11	CBO-ED-11
1	4055703	Control Panel	1	
	4058701	Control Panel		1
2	1915703	Overlay 15minute / 650° Thermostat	1	1
	1915704	Overlay 60 Minute/ 650° Thermostat	1	1
3	2127100	Timer 15 Minute	1	1
	2127101	Timer 60 Minute	1	1
4	1948301	Thermostat 650° 36"capillary	1	
	1948302	Thermostat 650° 72" Capillary	1	1
5	1765802	Knob	2	2
6	1006496	Pilot Light 120 Volt	1	
	1006498	Pilot Light 208 / 240 Volt	1	1

* NOT ILLUSTRATED

RECOMMENDED STOCK PARTS



Sk00-041
REV. 0

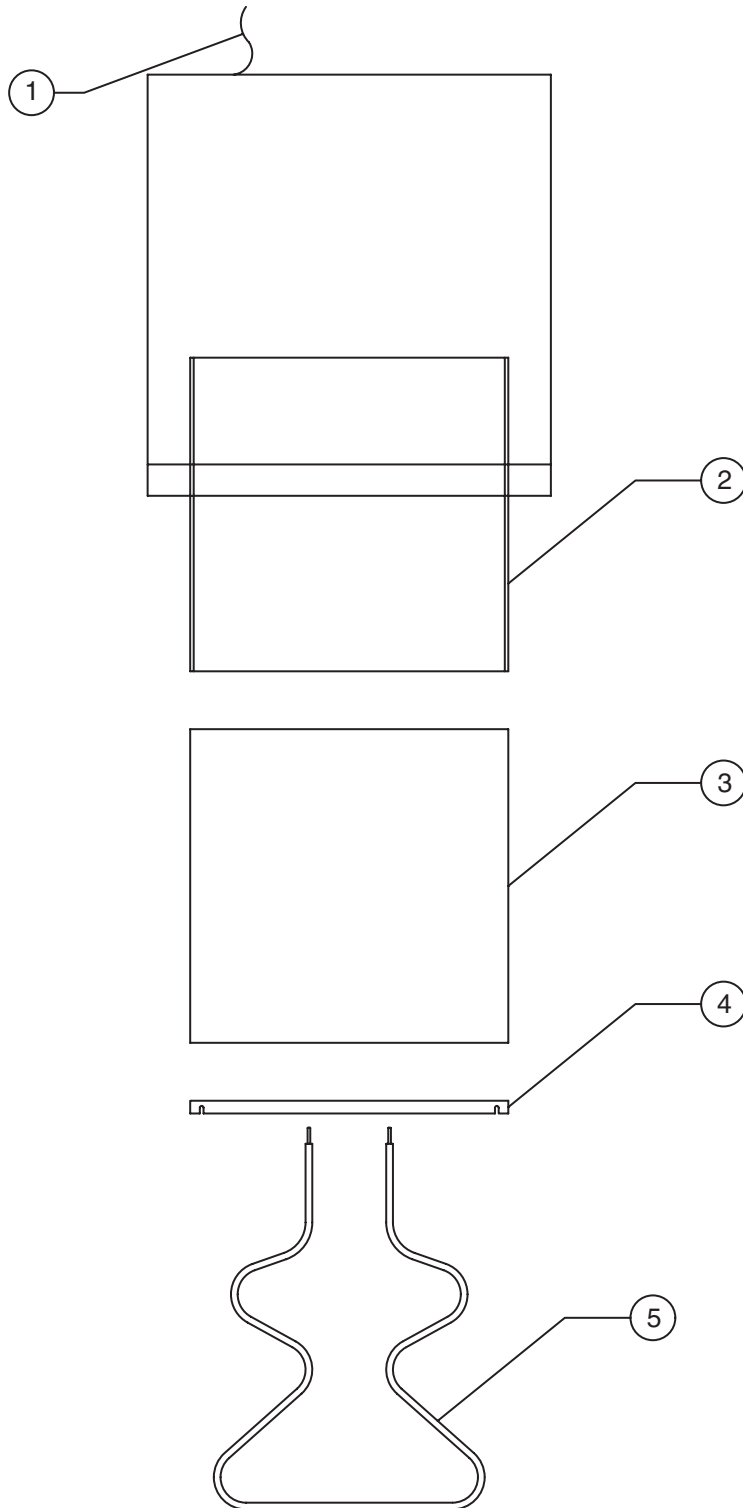
**GARLAND PARTS IDENTIFICATION
CPO-ED-22, CPO-ED-22H, CPO-ED-24H**

Control Panel

ITEM	PART #	DESCRIPTION	QUANTITY		
			MODEL		
			CPO-ED-22	CPO-ED-22H	CPO-ED-24H
1	4060601	Control Panel With Lights	1	1	1
		Control Panel With Out Lights	1	1	1
2	1915707	Overlay 15 Mim. (Light Opt. Only)			1
	1915708	Overlay 60 Mim. (Light Opt. Only)			1
	1915709	Overlay 15 Mim.			1
	1915710	Overlay 60 Mim.			1
	1915711	Overlay 15 Mim. (Light Opt. Only)	1		
	1915712	Overlay 60 Mim. (Light Opt. Only)	1		
	1915713	Overlay 15 Mim.	1		
	1915714	Overlay 60 Mim.	1		
	1915715	Overlay (Light Opt. Only)		1	
	1915716	Overlay		1	
3	2127100	Timer 15 Minute	2	1	2
	2127101	Timer 60 Minute	2	1	2
4	1948303	Thermostat 650°		1	2
	194830	Thermostat 550°	2	1	
5	1765802	Knob	2	2	2
6	1006498	Pilot Light Amber	2	2	2
7	1130101	20 Amp Fuse (Light Opt. Only)	1	1	1
8	1130100	Fuse Holder (Light Opt. Only)	1	1	1
9	4064501	Switch On/Off (Light Opt. Only)	2	2	2

* NOT ILLUSTRATED

RECOMMENDED STOCK PARTS



Sk00-045
REV. 0

GARLAND PARTS IDENTIFICATION

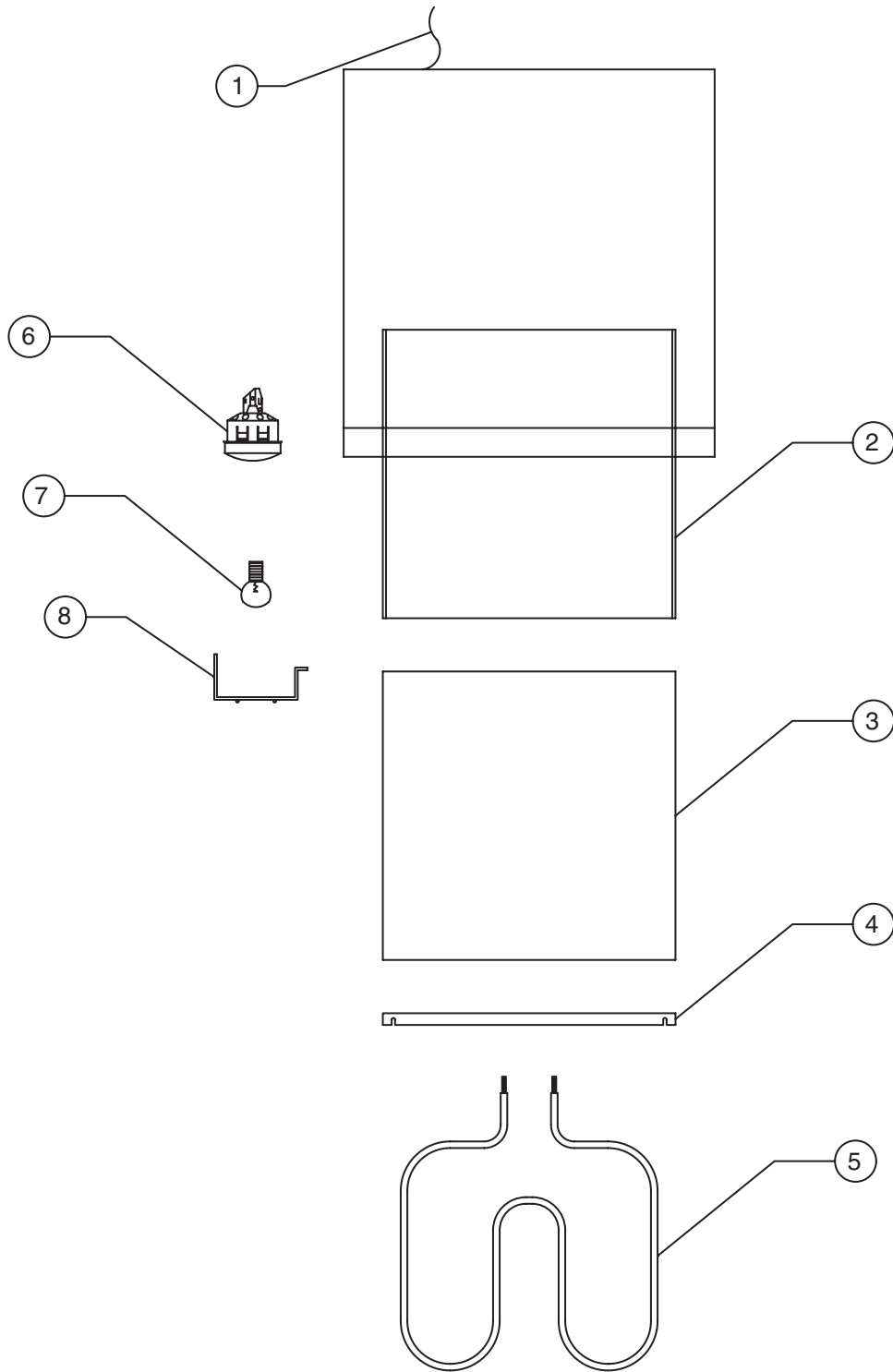
CPO-ES-12H

Cook Shelf Installation

ITEM	PART #	DESCRIPTION	QUANTITY
			MODEL
			CPO-ES-12H
1	1948101	Power Cord 120 Volt NEMA # 5-15 P	1
	1948102	Power Cord 208/240 Volt NEMA # 6-15 P	1
	1948199	Power Cord 208 / 240 Volt NEMA # 6-20 P	1
2	4055399	Cook Shelf Assembly	2
3	1908601	Bake Deck 17 1/2	2
4	4055305	Deck Retainer	2
5	4055306	Element 120 Volt 600 Watt	3
	4055307	Element 208 Volt 500 Watt Top	1
	4055309	Element 208 Volt 1075 Watt Center	1
	4055310	Element 208 Volt 1275 Watt Bottom	1
	4055308	Element 240 Volt 850 Watt Top	1
	4055311	Element 240 Volt 1000 Watt Center/ Top	2

* NOT ILLUSTRATED

RECOMMENDED STOCK PARTS



GARLAND PARTS IDENTIFICATION

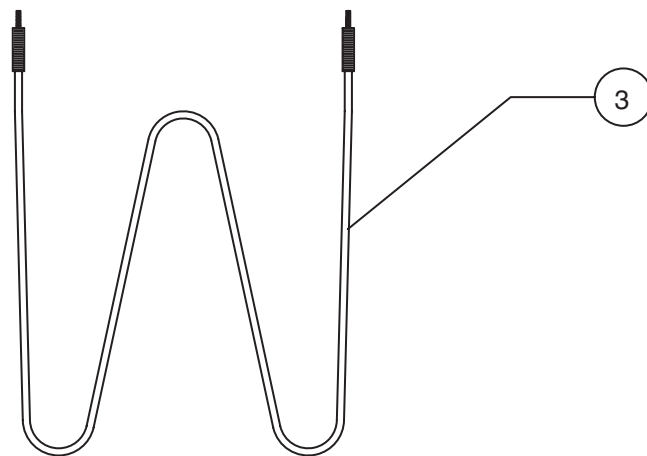
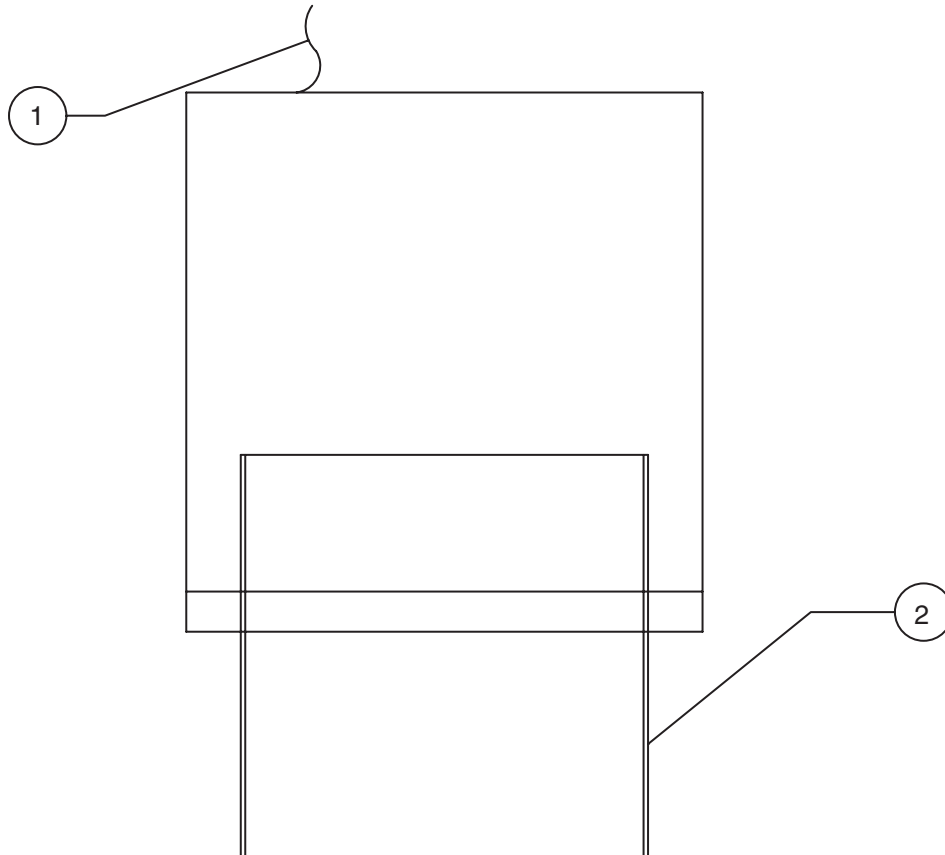
CPO-ED-12H, -22, -22H, -24H

Cook Shelf Installation

ITEM	PART #	DESCRIPTION	QUANTITY			
			MODEL			
			CPO-ED-12H	CPO-ED-22	CPO-ED-22H	CPO-ED-24H
1	1948199	Power Cord 208 / 240 Volt NEMA # 6-20 P	1			
	1948198	Power Cord 208 / 240 Volt NEMA # 14-50 P (Single Phase Only)		1	1	1
2	4058399	Cook Shelf Assembly	2		2	4
3	1908603	Bake Deck 20 3/4	2		2	4
4	4058305	Deck Retainer	2		2	4
5	4058318	Element 208 Volt 1075 Watt Top / Bottom	2	4	4	4
	4058308	Element 208 Volt 1450 Watt Center	1		1	2
	4058319	Element 240 Volt 1075 Watt Top / Bottom	2	4	4	4
	4058309	Element 240 Volt 1450 Watt Center	1		1	2
6	4059999	Oven Lamp Assembly (Light Opt.)	N/A	4	4	4
7	4059902	Oven Lamp 240 Volt (Light Opt.)	N/A	4	4	4
8	4065001	Light Bulb Guard (Light Opt.)	N/A	4	4	4

* NOT ILLUSTRATED

RECOMMENDED STOCK PARTS



GARLAND PARTS IDENTIFICATION

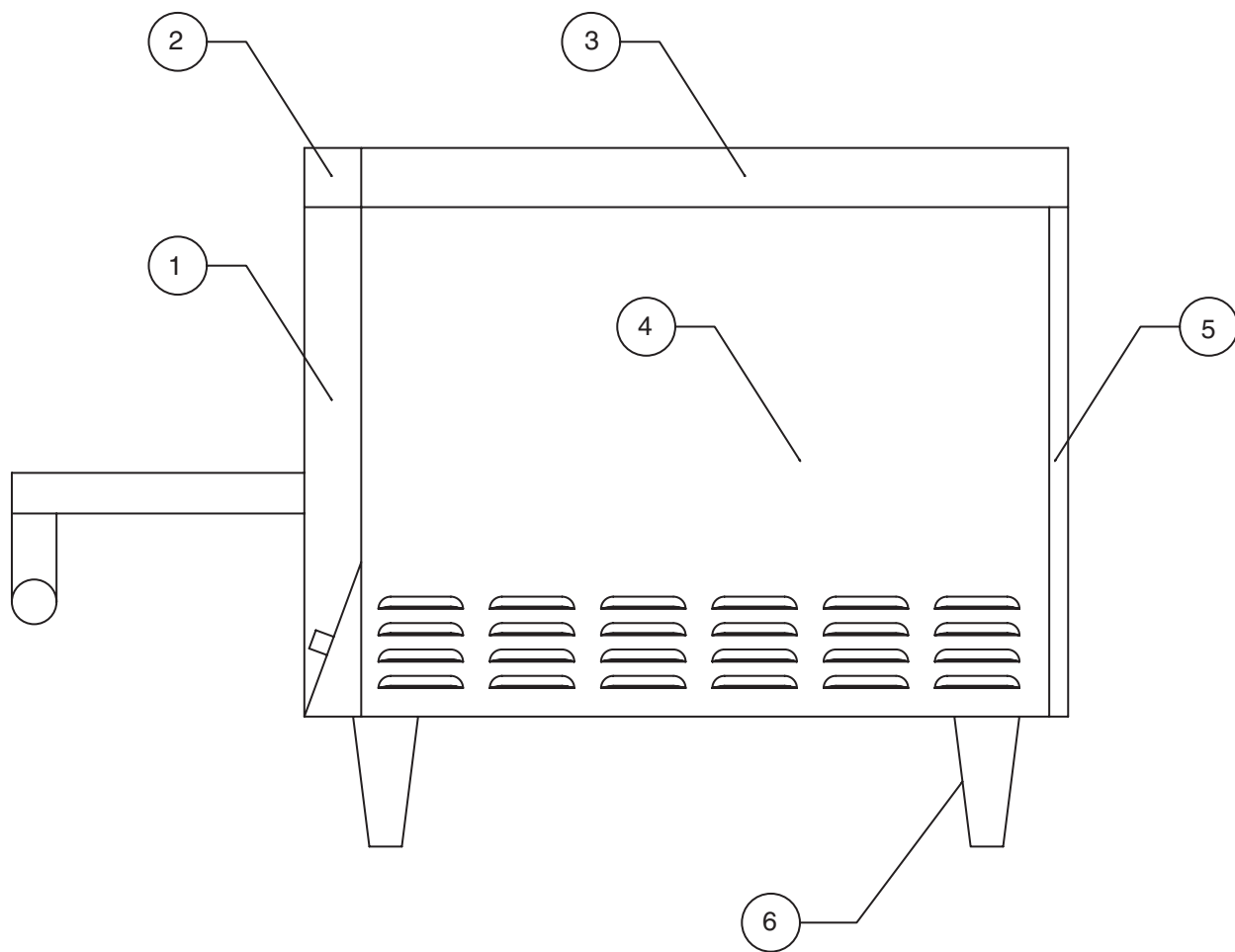
CBO-ES-11

Cook Shelf Installation

ITEM	PART #	DESCRIPTION	QUANTITY
			MODEL
			CBO-ES-11
1	1948101	Power Cord 120 Volt NEMA # 5-15 P	1
	1948102	Power Cord 208/240 Volt NEMA # 6-15	1
	1948199	Power Cord 208 / 240 Volt NEMA # 6-2	1
2	4057105	Cook Shelf Assembly	1
3	4057301	Element 120 Volt 800 Watt	2
	4057302	Element 208 Volt 800 Watt	2
	4057303	Element 240 Volt 800 Watt	2

* NOT ILLUSTRATED

RECOMMENDED STOCK PARTS



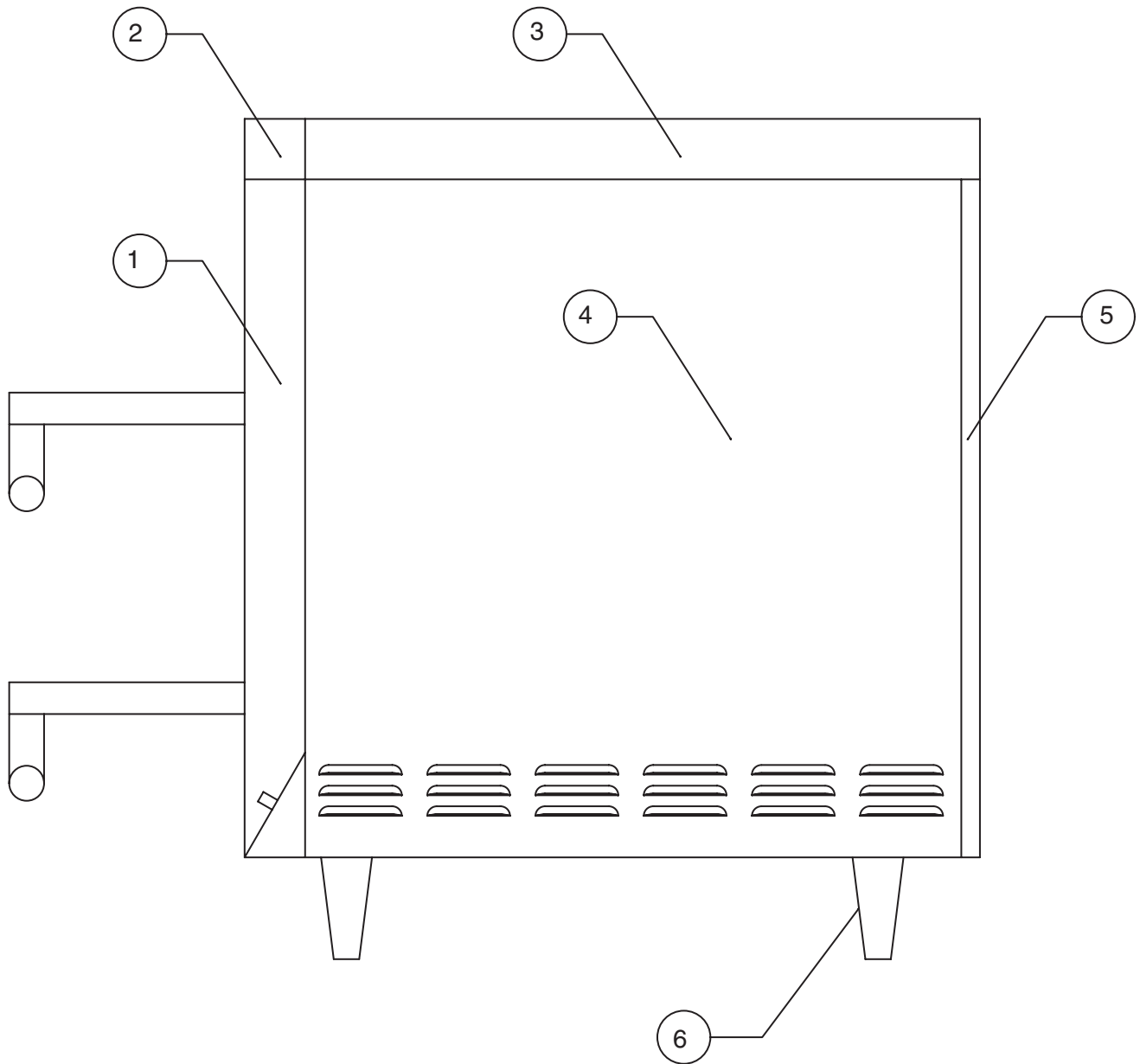
GARLAND PARTS IDENTIFICATION

Counter Pizza Exterior Single Units

ITEM	PART #	DESCRIPTION	QUANTITY			
			MODEL			
			CPO-ES-12H	CBO-ES-11	CPO-ED-12H	CBO-ED-11
1	4063004	Corner Column Left ES Unit	1	1		
	4063005	Corner Column Right ES Unit	1	1		
	4063104	Corner Column Left ED Unit			1	1
	4063105	Corner Column Right ED Unit			1	1
2	4063006	Main Top Trim ES Units	1			
	4063007	Main Top Trim ES Units		1		
	4063106	Main Top Trim ED Units			1	1
3	4063001	Main Top ES Units	1	1		
	4063101	Main Top ED Units			1	1
4	4063002	Body Side Left ES Unit	1	1		
	4063003	Body Side Right ES Unit	1	1		
	4063102	Body Side Left ED Unit			1	1
	4063103	Body Side Right ED Unit			1	1
5	4056101	Main Back ES Unit	1	1		
	4059001	Main Back ED Unit			1	1
6	1196302	4" Legs (Opt.)	4	4	4	

* NOT ILLUSTRATED

RECOMMENDED STOCK PARTS



GARLAND PARTS IDENTIFICATION

Counter Pizza Exterior Double Units

ITEM	PART #	DESCRIPTION	QUANTITY		
			MODEL		
			CPO-ED-22	CPO-ED-22H	CPO-ED-24H
1	4063304	Corner Column Left	1	1	1
	4063305	Corner Column Right	1	1	1
2	4063306	Main Top Trim	1	1	1
3	4063301	Main Top	1	1	1
4	4063302	Body Side Left	1	1	1
	4063303	Body Side Right	1	1	1
5	4060901	Main Back	1	1	1
6	1196302	4" Legs (Opt.)	4	4	4

* NOT ILLUSTRATED

RECOMMENDED STOCK PARTS

NOTES

NOTES

 **GARLAND**[®]