



Stock Pot Range

models

(Electric) E20-SP, E20-SPC

(Gas) G20-SP, G20-SPH

PARTS LIST

Phone (US & Canada): 1 800 427 6668

Fax (US & Canada): 1 800 361 7745

www.Garland-Group.com

Quality Factory Replacement Parts for the World's Finest Foodservice Equipment Solutions

This parts list is updated regularly. Please find the most current revision
on our website @ www.Garland-Group.com



Stock Pot Range

models

(Electric) E20-SP, E20-SPC

(Gas) G20-SP, G20-SPH

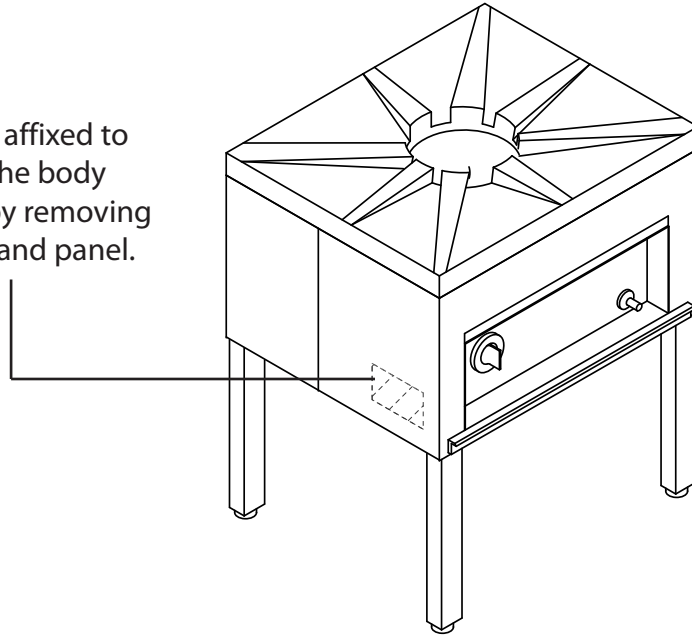
Table of Contents

<i>Rating Plate Location / Serial# Interpretation</i>	5
<i>Electric models - E20-SP and E20-SPC.....</i>	6
<i>Gas models - G20-SP and G20-SPH</i>	8
<i>Revision History.....</i>	11

Blank Page

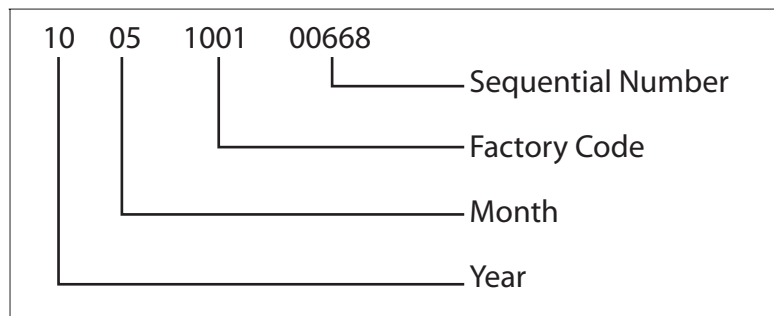
Rating Plate Location

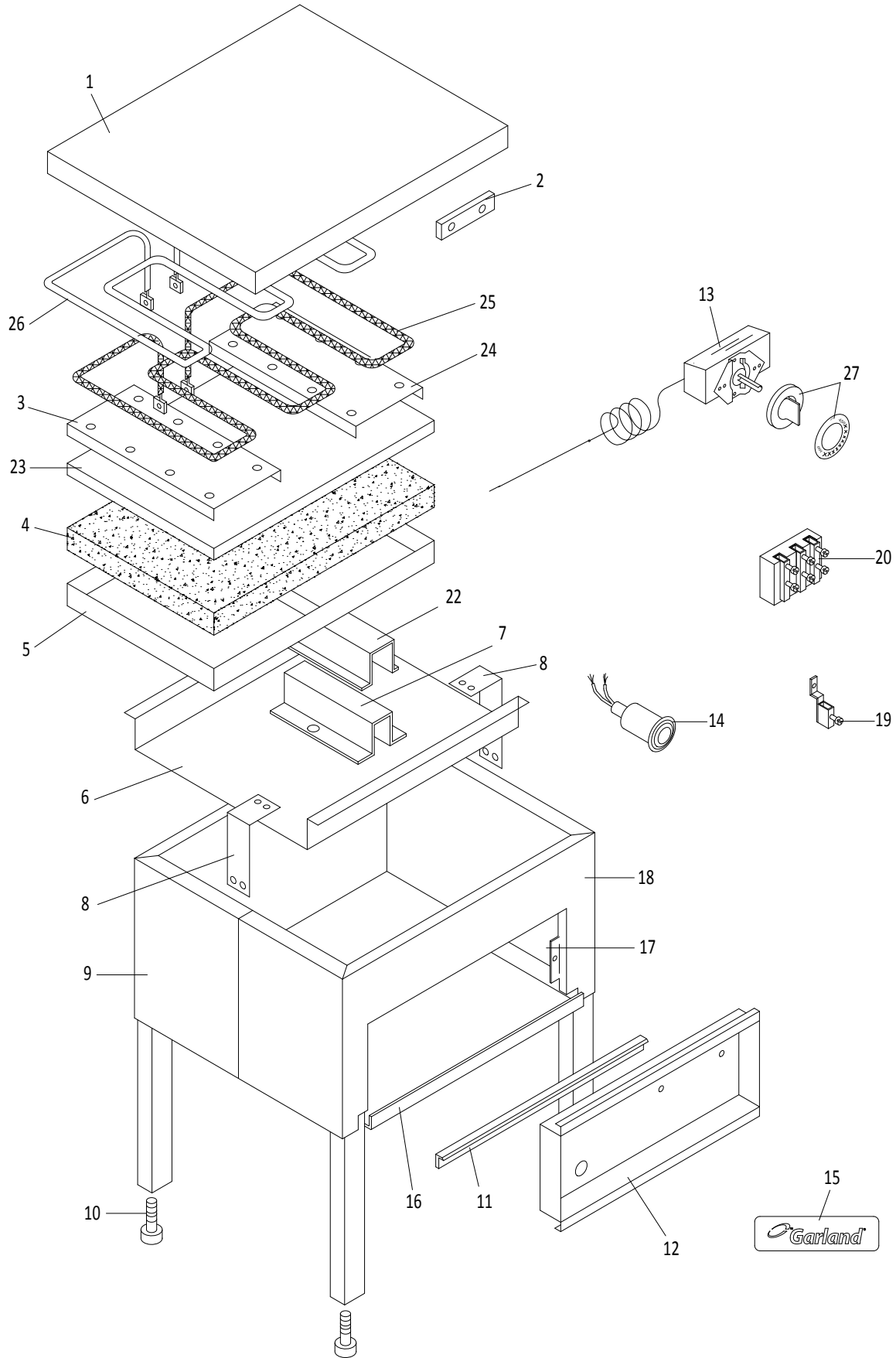
The Rating Plate is affixed to the inside wall of the body panel, accessible by removing the control knobs and panel.



Serial# (Year/Month Information)

The Serial Number is **13 Digits** long and is stamped on the Rating Plate.





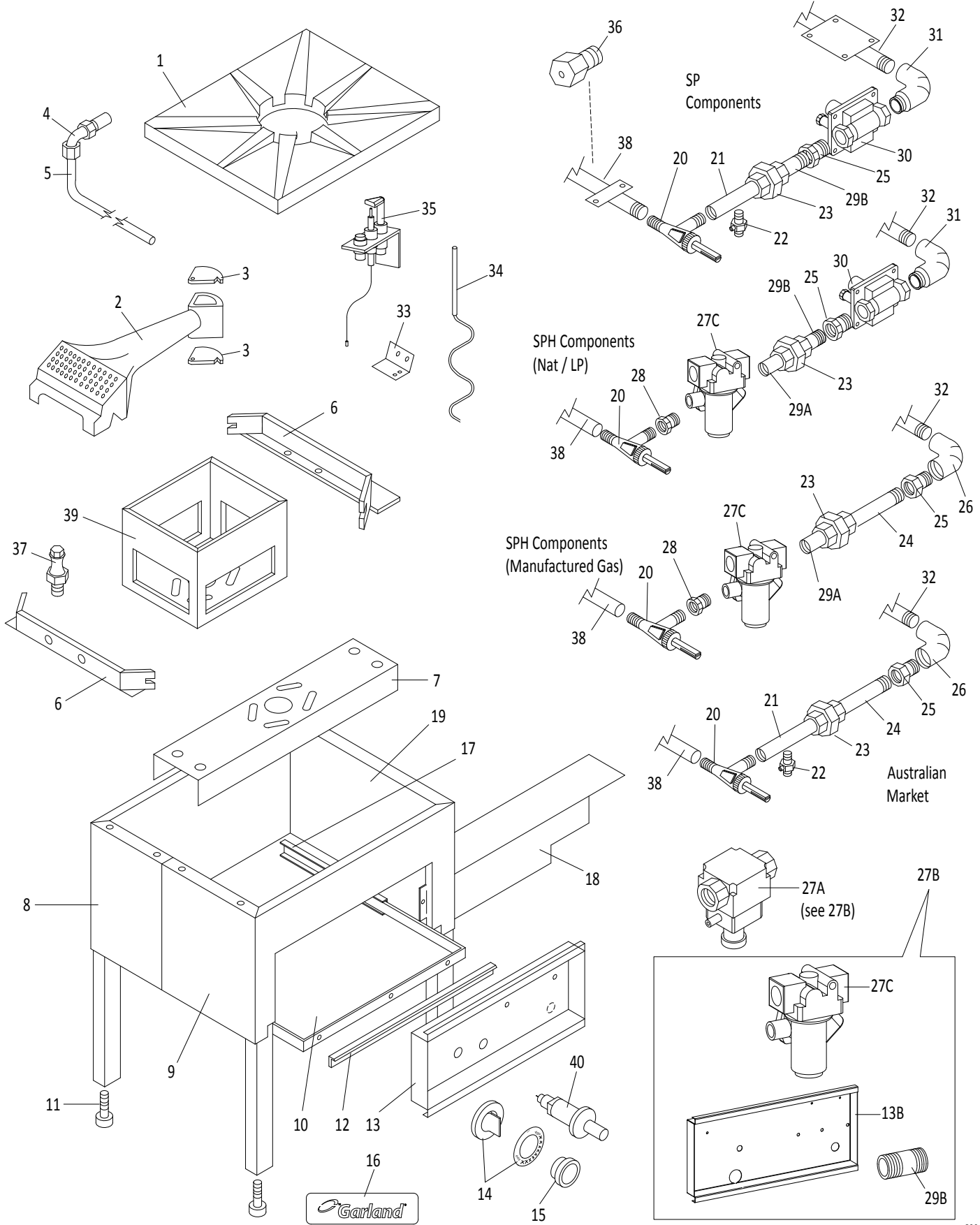
GARLAND PARTS IDENTIFICATION

Electric Stock Pot Range models **E20-SP** and **E20-SPC**

ITEM	PART#	DESCRIPTION	QUANTITY		CRITICAL
			E20-SP	E20-SPC	
1	G02550-020-8	Boiling Plate Assembly	1	1	
2	G2450-1-6	Element Jumper	2	2	
3	G02563-1-62	Element Clamp Left Hand	1	1	
4	1472308	Insulation (Cut to 16-1/2" x 16-1/2" x 2")	1	1	
5	G02561-1-6	Element Cover	1	1	
6	G02572-1-6	Element Cover Heat Deflector	1	1	
7	2206300	Bulb Clamp	1	1	
8	G02560-1-7	Tie Down Bracket	2	2	
9	G02472-01-9	Body Back Assembly S/S	1		
	G02472-03-9	Body Back Assembly S/S		1	
10	G6424	Leveling Glider Bolt Hex 3/8-16 x 2"	4	4	
	F157	Leveling Glider Bolt Hex 3/8-16 x1-1/16"	4	4	
11	G02479-1-9	Drip Pan Handle G20	1	1	
12	G02476-1-9	Control Panel	1	1	
13	G02547-01	Thermostat Assembly High Temp	1	1	C
14	G01296-2	Pilot Amber	1	1	
15	4529725	Garland Logo Plate, small.	1	1	
16	G02558-01-7	Main Bottom Assembly	1	1	
17	G02473-1-8	Side Support	2	2	
18	G02471-01-9	Body Front Assembly S/S	1		
	G02471-02-9	Body Front Assembly S/S		1	
19	G01500-1	Ground Terminal 55AMP	1	1	
20	2147300	Terminal Block (Domestic)	1	1	
21	G02559-1-6	Heat Shield	2	2	
22	G01849-1-6	Bulb Channel	1	1	
23	G02562-1-6	Element Baffle	1	1	
24	G02563-1-61	Element Clamp Right Hand	1	1	
25	G02548-1	Element Outer 208V 2.9kW	1	1	
	G02548-2	Element Outer 240V 2.9kW	1	1	
	G02548-3	Element Outer 220V 2.9kW	1	1	
26	G02549-1	Element Outer 208V 2.6kW	1	1	
	G02549-2	Element Outer 240V 2.6kW	1	1	
	G02549-3	Element Outer 220V 2.6kW	1	1	
27	G02716-1	Dial - (Universal) Small Shaft	1	1	
	G02725-23	Dial Insert (1-10)	1	1	
29*	G1053-2-8P	Knockout Plate Plated	1	1	

* NOT ILLUSTRATED

RECOMMENDED STOCK PARTS



GARLAND PARTS IDENTIFICATION

Gas Stock Pot Range models **G20-SP** and **G20-SPH**

ITEM	PART#	DESCRIPTION	QUANTITY		CRITICAL
			G20-SP	G20-SPH	
1	G02420-1	Top Grate	1	1	
2	G3575-32	Top Burner (Natural)	4	4	
	G3575-36	Top Burner (Propane Gas)	4	4	
	G3575-40	Top Burner (Manufactured Gas)	4	4	
3	G4155-1	Air Shutter	8	8	
4	G02486-51F	Orifice Fitting Natural	4	4	
	G02486-56F	Orifice Fitting #56	4	4	
5	4527418	1/4 Aluminum Tubing x 18"	5	5	
6	G02477-1-8	Burner Rest Support	1	1	
7	G02478-1-8	Burner Rest	2	2	
8	G02472-01-9	Body Back Assembly S/S	1	1	
9	G02471-01-9	Body Front Assembly S/S	1	1	
10	G02481-1-8	Drip Pan	1	1	
11	G6424	Leveling Glider Bolt Hex 3/8-16 X 2"	4	4	
	F157	Leveling Glider Bolt Hex 3/8-16 x1-1/16"	4	4	
12	G02479-1-9	Drip Pan Handle G20	1	1	
13	G02476-1-9	Control Panel	1		
	G02476-2-9	Valve Panel		1	
14	G02716-2	Dial - (Universal) Medium Shaft	1	1	
	G02725-26	Dial Insert (Off/Min/Med/Max)	1	1	
	G02725-3	Dial Insert (Off/Max/Med/Min) to serial 57628	1	1	
15	1028802	Heyco Bushing Note: Used UP TO 28-Oct/2004		1	
16	4529725	Garland Logo Plate, small.	1	1	
17	G02480-1-8	Drip Pan Guide	2	2	
18	G02501-1-6	Heat Shield	1	1	
19	G02473-1-8	Side Support	2	2	
20	G03683-4	Valve Hi-Med-Low (Natural Gas)	1	1	C
	G03683-5	Valve Hi-Med-Low (Propane Gas)	1	1	C
	G03683-6	Valve Hi-Med-Low (Manufactured Gas)	1	1	C
21	G02484-1	Manifold	1		
22	G6809	Gum Valve 1/4	1		
23	G01739-1	Union 1/2 NPT TO 1/2 NPT	1	1	
24	G01477-2	Nipple 1/2"NPT X 4 1/8"RAW	1	1	
25	G01918-5	Reducer Bushing 3/4 to 1/2 NPT	1	1	

* NOT ILLUSTRATED

RECOMMENDED STOCK PARTS

GARLAND PARTS IDENTIFICATION

Gas Stock Pot Range models **G20-SP** and **G20-SPH**

ITEM	PART#	DESCRIPTION	QUANTITY		CRITICAL
			G20-SP	G20-SPH	
26	G01475-5	90 Deg Elbow - 3/4NPT			
27A	G02487-01	Valve Assembly TS11K-Safety Note: Used UP TO 28-Oct/2004 and item is No Longer Available. Use Kit 4519190 (item 27A)		1	C
27B	4519190	Baso Safety Valve Kit Note: Used FROM 28-Oct/2004 . Kit includes a BASO valve (27C), a nipple (29B) , a valve panel (13B) and install instructions.		1	C
27C	4518867	Baso Safety Valve Note: Used FROM (date) 28-Oct/2004 (serial#) 0410100109452.		1	C
<p>IMPORTANT: The BASO and TS11K valves are not interchangeable. Use Kit 4519190 to replace an old TS11K valve. An unit manufactured after serial# 0410100109452 would require only a new Baso Valve (4518867) without a kit.</p>					
28	G01569-1	Reducer Bushing	1	1	
29A	G01736-1	Nipple Close 1/2"NPT		1	
29B	G01736-1	Nipple Close 1/2"NPT Note: Used UP TO 28-Oct/2004	1	1	
	G01477-10	1/2" NPT x 1.5" Close Nipple	1	1	
30	2127503	Regulator (Natural Gas)	1	1	C
	2127500	Regulator 10" WC (Propane Gas)	1	1	C
31	G01475-2	Elbow Street 3/4"NPT 90Deg	1	1	
32	G02482-01	Supply Manifold Assembly	1	1	
33	G02502-1-6	Pilot Bracket	1	1	
34	4518817	Thermocouple 18"		1	C
35	G02488-1	Pilot 4C-2 (Natural Gas)	1	1	C
	G02488-2	Pilot 4C-2 (Propane Gas)	1	1	C
	G02488-3	Pilot 4C-2 (Manufactured Gas)	1	1	C
	2290400	Pilot Assembly with 24" Wire (Natural Gas)		1	C
	2290401	Pilot Assembly with 24" Wire (Propane Gas)		1	C
	2290402	Pilot Assembly with 24" Wire (Manufactured Gas)		1	C
36	076050-14	Compression Fitting 1/4T X 1/8M	4	4	
37	G02251-1	Pressure Test Spigot	1	1	
38	G02483-01	Manifold Assembly	1	1	
39	G02474-1-6	Burner Housing	1	1	
40	1309201	Piezo Igniter #1244-41		1	C
41	G03151-1	Piezo Electrode 16"		1	

* NOT ILLUSTRATED

RECOMMENDED STOCK PARTS

REVISION HISTORY (STOCK POT PARTS LIST)

REV	SECTION	ITEM#	NOTES	DATE
1	E20	27	Part # G02487-01 - Valve Assembly TS11K-Safety NLA.	DEC 16/04
		27A	New part # 4518867 - Baso Safety Valve.	
		27B	New part # 4519190 - Baso Safety Valve Kit.	
	G20	29	Obsolete part #G01736-1 for G20-SPH model only	
		29A	New part # G01477-10 Nipple	
			Retrofit Kit Details Added - New page.	
2	E20 & G20		Critical Column added	MAR 17/10
	G20	34	Part number changed - was 1415000 (Thermocouple)	
3			Added Rating Plate location and serial# explanation.	APR 26/12
	E20	28	Washer Bearing - Removed.	
		20	Terminal block 2147300 replaced g01269-1	
		15	Garland Logo Plate 4529725 replaced 1902919.	
		10	Added F157.	
	G20	3	G4155-1 was G4155	
		11	Added F157.	
		26, 31	Revised illustration. Descriptions are correct/ wrong drawings.	
		23	Qty=1 for SPH. Was 0.	
		5	Tubing 4527418 replaced GM304 (which replaced G01494-16)	
		16	Garland Logo Plate 4529725 replaced 1902919.	
		24	Revised gas train drawing for SPH-Manufactured Gas	
		29A, 29B	Revised info per Plant	
		41	G03151-1 Piezo Electrode - Added per BOM	
			Valve retrofit kit - remove install instructions as instruction sheet comes with kit.	

 **Garland**[®]

 **Manitowoc**