



***GARLAND MODEL  
ELECTRIC BAKE AND PIZZA OVEN  
(AIR DECK)***

**PARTS LIST**

Toll Free Phone, (US & Canada): (800) 427-6668

Toll Free Fax, (US & Canada): (800) 361-7745

<http://www.garland-group.com>



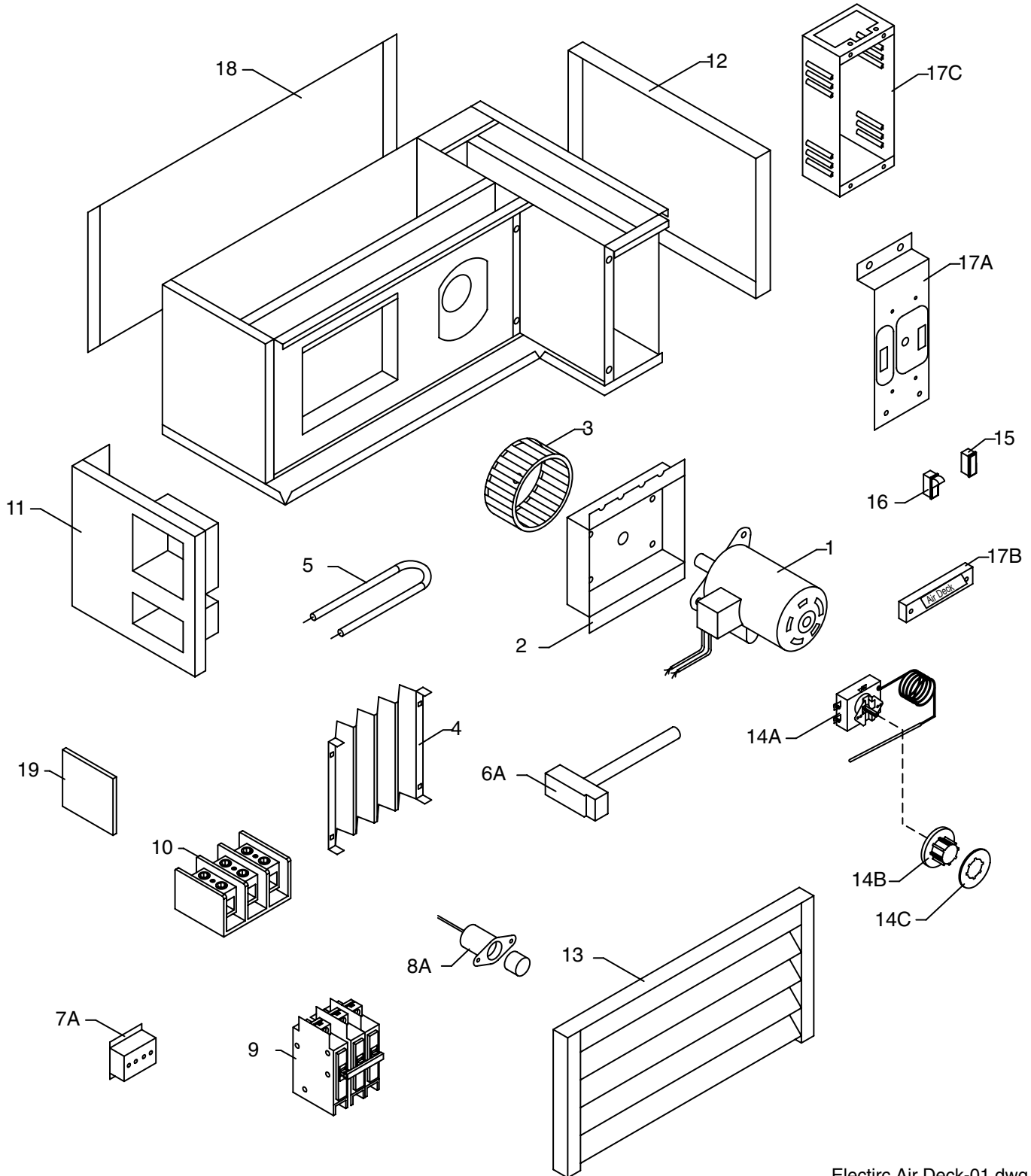


***GARLAND MODEL  
ELECTRIC BAKE AND PIZZA OVEN  
(AIR DECK)***

***Contents:***

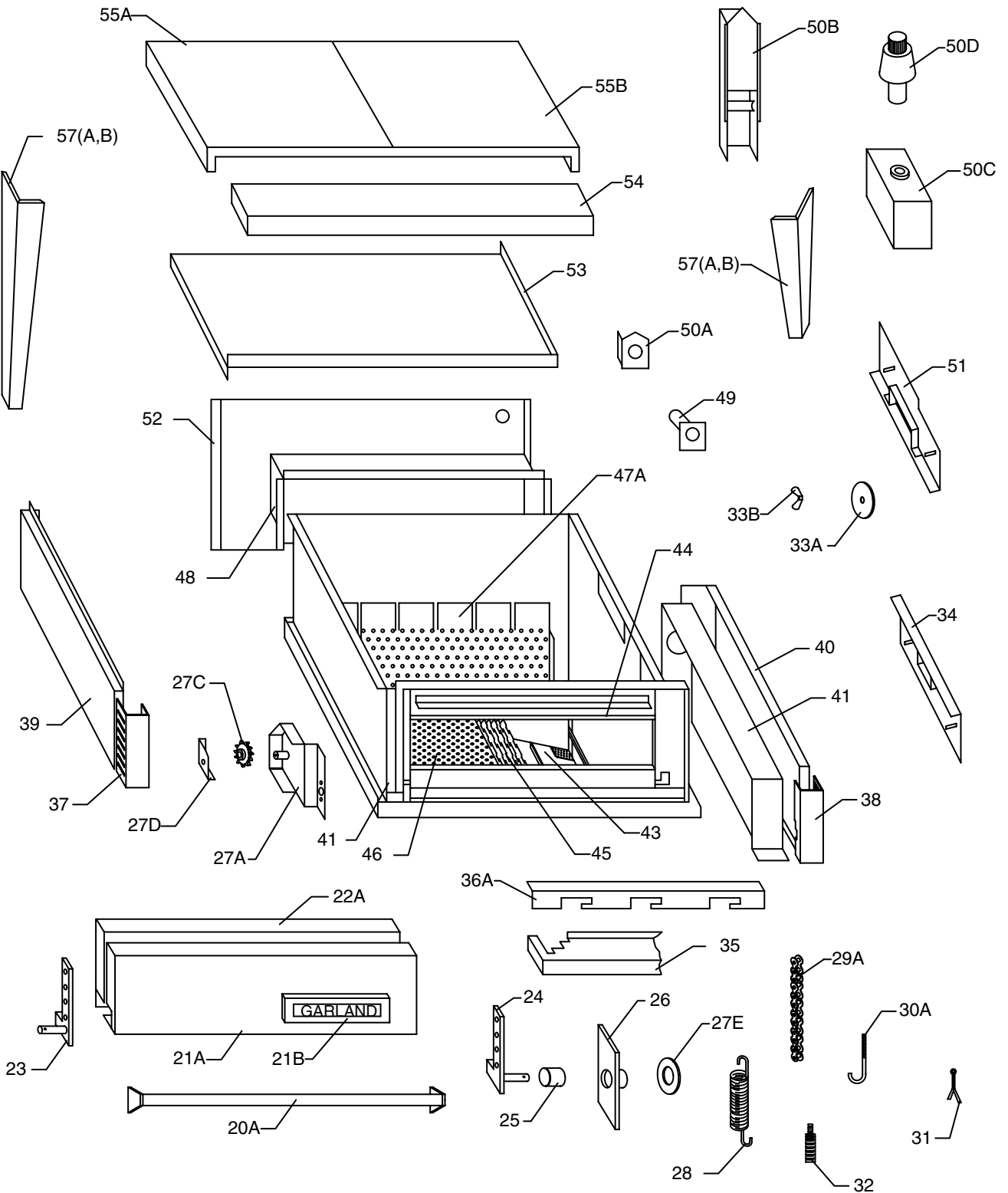
Electric Bake And Pizza Oven E56-PB & -PT ..... Page 4

**POWER MODULE SECTION**



Electric Air Deck-01.dwg  
REV.0

**OVEN DECK SECTION**



Electric Air Deck-02.dwg  
REV. 0

## GARLAND PARTS IDENTIFICATION

### Electric Bake And Pizza Oven

#### E56-PB & -PT

ITEM	PART #	DESCRIPTION	MODEL	
			QUANTITY	
			E56PB	E56PT
1	<b>1615001</b>	<b>Motor - 3/4 Hp 115/240V 1725rpm</b>	1	1
	1616097	Motor Assembly - Upper (Items 1, 2 And 4)		1
	1616098	Motor Assembly - Lower (Items 1, 2 And 4)	1	
2	1616099	Motor Back Panel	1	1
3	1613900	Blower Wheel Cw Rotation		1
	1613901	Blower Wheel Ccw Rotation	1	
4	1616395	Back Element Panel S/W	1	1
	1616396	Element Panel (Top) Assy		1
	1616397	Element Panel Bottom S/W	1	
5	<b>1616800</b>	<b>208V Element</b>	12	12
	<b>1616801</b>	<b>240V Element</b>	12	12
	<b>1728601</b>	<b>Brass Buss Bar</b>	18	18
6A	1620200	Hi Limit (Air Deck) RTIL-29	1	1
6B*	1620300	Hi-Limit Mounting Bracket	1	1
7A	9005400	Mercury Contactor	1	1
7B*	1620000	Contactor Mounting Bracket	1	1
8A	1130102	Fuse Holder	2	2
8B*	<b>1130103</b>	<b>Fuse 208/240V - 20 Amps</b>	2	2
9	<b>1026200</b>	<b>Circuit Breaker 3 Pole 50A</b>	1	1
10	1193900	Terminal Block 3 Pole	1	1
11	1617292	Pwr Mod. Upper Body Side S/W SS		1
	1617293	Pwr Mod. Upper Body Side S/W Painted		1
	1617294	Pwr Mod. Lower Body Side S/W SS	1	
	1617295	Pwr Mod. Lower Body Side S/W Painted	1	
12	1617002	Upper Power Module Body Side Right - Painted		1
	1617003	Upper Power Module Body Side Right - SS		1
	1617000	Power Module Body Side Right- Painted	1	
	1617001	Power Module Body Side Right- SS	1	
13	1617899	Upper Power Module Louvered Panel		1
	1617898	Lower Power Module Louvered Panel	1	
14A	<b>1611900</b>	<b>Thermostat - (Kx-410 - 72)</b>	1	1
14B	<b>G02716-1</b>	<b>Dial (Universal) Small Shaft</b>	1	1
14C	<b>1314121</b>	<b>Thermostat Dial Insert</b>	1	1
14D*	1620799	Thermostat Bulb Guide W/A	1	1
14E*	1620702	T'Stat Bulb Guide Cover	1	1
14F*	1101402	Thermostat Bulb Clip	2	2
15	1621001	240V Light Red Black Vezel	1	1
16	1019203	Rocker Power Switch 2 Pos 1 Speed On/Off	1	1
17A	1617494	Control Panel - Upper, 3 Timer Enamelled		1
	1617495	Control Panel - Upper, 1 Timer Enamelled		1
	1617496	Control Panel - Upper, No Timer Enamelled		1
	1617497	Control Panel - Lower, 3 Timer Enamelled	1	
	1617498	Control Panel - Lower, 1 Timer Enamelled	1	
	1617499	Control Panel - Lower, No Timer Enamelled	1	
17B	1620400	Air Deck Nameplate	1	1

\* NOT ILLUSTRATED

#### **RECOMMENDED STOCK PARTS**

## GARLAND PARTS IDENTIFICATION

### Electric Bake And Pizza Oven

#### E56-PB & -PT

ITEM	PART #	DESCRIPTION	MODEL	
			QUANTITY	
			E56PB	E56PT
17C	1617196	Control Box/Upper Power Module -Painted	1	1
	1617198	Control Box/Upper Power Module -SS	1	1
	1617197	Control Box/Lower Power Module -Painted	1	1
	1617199	Control Box/Lower Power Module -SS	1	1
18	1617300	Power Module Body Back - Painted	1	1
	1617301	Power Module Body Back - SS	1	1
19	1619900	Field Connection Cover Painted	1	1
	1619901	Field Connection Cover SS	1	1
20A	1613098	Door Handle - Chrome Plated	1	1
20B*	1038006	Plug Bottom 3/4"	2	2
21A	1611300	Outer Door Panel - SS	1	1
21B	1902917	10" GARLAND Nameplate	1	1
22A	1611299	Door Liner	1	1
22B*	1611298	Complete Door Assembly	1	1
23	1612297	Door Hinge Right - W/A	1	1
24	1612296	Door Hinge Left - W/A	1	1
25	1011201	Steel Tubing Chrome Spacer	2	2
26	1611597	Trunnion / Bushing Assembly	2	2
27A	1622299	Hinge Plate - Left - W/A	1	1
27B*	1622298	Hinge Plate - Right - W/A	1	1
27C	1734099	Sprocket	2	2
27D	1622301	Sprocket Pin Bracket	2	2
27E	1734400	Large Washer - 3/4" x 1-5/16" (Old # 8000319)	2	2
28	1760401	Oven Door Spring	2	2
29A	1021101	Roller Chain - # 40 9-1/2" Lg	2	2
29B*	1021299	Connecting Links #40 Components	2	2
30A	9004701	Oven Door Spring Hook	2	2
30B*	8000303	Flat Washer - 1/4"x 5/8"	8	8
31	1121400	Cotter Pin 3/32 x 1" Lg	2	2
32	1546000	Hinge Pin With Hole	2	2
33A	8000321	Washer Retainer - 1/4" x 1-1/4"	4	4
33B	8004401	Thumb Screw 1/4-20 X 3/4"	2	2
34	1613899	Lower Restrictor Plate - S/W	1	1
35	1613503	Bottom Front Trim - SS	1	
36A	1619300	Front Deck Hold Down	1	1
36B*	1614002	Adjusting & Deck Tool	1	1
36C*	1166900	Shoulder Bolt - 10-24 x 9/16"	3	3
37	1622402	Louvered Corner Trim - Left	1	1
38	1622401	Louvered Corner Trim - Right	1	1
39	1613698	Left Body Side - Painted	1	1
	1613696	Left Body Side - S.S.	1	1
40	1613699	Right Body Side - Painted	1	1
	1613697	Right Body Side - SS	1	1
41	1611799	Interior Air Chamber -Right Side -Lower	1	
	1611798	Interior Air Chamber -Right Side -Upper		1
	1613199	Air Box Inner -Right Side -Lower	1	
	1613198	Air Box Inner -Right Side -Upper		1

\* NOT ILLUSTRATED

#### **RECOMMENDED STOCK PARTS**

## GARLAND PARTS IDENTIFICATION

### Electric Bake And Pizza Oven

#### E56-PB & -PT

ITEM	PART #	DESCRIPTION	MODEL	
			QUANTITY	
			E56PB	E56PT
42*	1611199	Front Frame	1	1
43	1612399	Lower Base Plenum	1	1
44	1618700	Upper Air Baffle	1	1
45	1614699	Lower Plenum	2	2
46	1618997	Deck Screen SS	3	3
47A	1618800	Rear Jet Screen	1	1
47B*	1613400	Plenum Rod - Top	1	1
48	1612499	Return Air Box Lower	1	
	1612498	Return Air Box Upper		1
49	1618099	Flue Tube W/A	1	1
50A	1618299	Flue Box	1	
50B	1618298	Flue Box Riser - (Bottom Deck Top)		1
50C	1621199	Flue Box Collector	1	1
50D	1190100	6" Direct Bell	1	1
	CK4529	Direct Vent Kit	1	1
51	1614099	Upper Restrictor Plate	1	1
52	1616700	Body Back - Lower Painted	1	
	1616702	Body Back - Lower SS	1	
	1616701	Body Back -Upper -Painted		1
	1616703	Body Back -Upper -S.S.		1
53	1611801	Top Liner Interior	1	
	1611898	Top Liner Interior		1
54	1613506	Front Trim Top - SS		1
55A	1707201	Lower Main Top Left Side - Painted	1	
	1707202	Lower Main Top Right Side - Painted	1	
55B	1707203	Lower Main Top Left Side - SS	1	
	1707204	Lower Main Top Right Side - SS	1	
55C*	1613598	Trim Top Upper - Painted		1
	1613599	Trim Top Upper - SS		1
56*	1613503	Bottom Front Trim - SS	1	
<b>Single Unit Legs</b>				
<b>All Leg Sizes Listed Will Vary With Adjustable Foot Insert</b>				
57A	1767697	20" Leg - Painted (Old # -1612706)	2	
	1767696	20" Leg - SS ( Old # - 1612702 )	2	
	1767693	36 1/4" Leg - Painted ( Old # - 1612707 )	2	
	1767692	36 1/4" Leg - SS ( Old # - 1612703 )	2	
<b>Double Units Only</b>				
57B	1767699	8" Leg - Painted ( Old # - 1612704 )	2	
	1767698	8" Leg - SS ( Old # - 1612704 )	2	
	1767695	24 1/4" Leg - Painted ( Old # - 1612705 )	2	
	1767694	24 1/4" Leg - SS ( Old # - 1612705 )	2	
<b>Leg Hardware</b>				
57C*	8003414	Mscr-Hh-Stl 3/8-16x5/8 Zp	16	16
	8000309	Wshr-Flt 3/8X13/16 Stl Zp	16	16
58*	1236100	1-1/2" Square Foot Insert	4	4

\* NOT ILLUSTRATED

#### **RECOMMENDED STOCK PARTS**



## GARLAND PARTS IDENTIFICATION

Electric Bake And Pizza Oven

E56-PB & -PT

ITEM	PART #	DESCRIPTION	MODEL	
			QUANTITY	
			E56PB	E56PT
<b>Casters Are Not Available</b>				
59*	1708399	Warming Rack Complete (Optional)		
60*	CK4537	Air Deck Full Retro-Fit Spring Kit Items 21 Thru 30C also 34 & #5	1	1
61*	CK4537-A	Air Deck Spring Kit	1	1

\* NOT ILLUSTRATED

***RECOMMENDED STOCK PARTS***

# GARLAND PARTS IDENTIFICATION

## Revision History

REV. #	PAGE #	ITEM #	NOTE	DATE
1	5	57 A, 57B	Was item 54A and 54B	Feb 25/04

# ***NOTES***

 **GARLAND**<sup>®</sup>