



**GF Sentry Flame Failure Series
Gas Range Match Broiler**

models **GF18/24/30/36-BRL**

PARTS LIST

Phone (US & Canada): 1 800 427 6668

Fax (US & Canada): 1 800 361 7745

www.Garland-Group.com

Quality Factory Replacement Parts for the World's Finest Foodservice Equipment Solutions

This parts list is updated regularly. Please find the most current revision
on our website @ www.Garland-Group.com



GF Sentry Flame Failure Series Gas Range Match Broiler

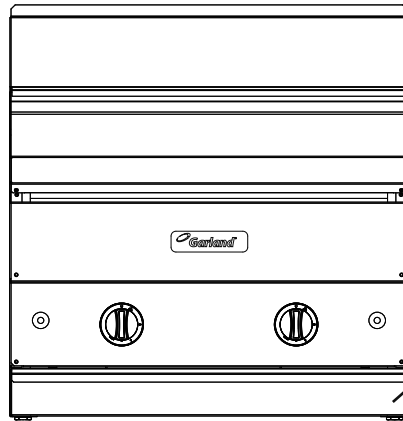
models **GF18/24/30/36-BRL**

Table of Contents

Rating Plate Location / Model & Serial# Interpretation	5
Broiler Components	6
Equipment Stand - GF18 / 24 / 30 / 36 Gas Range Match Broiler	10
Critical & Recommended Stock Parts List	14
Revision History.....	15

Blank Page

Rating Plate Location

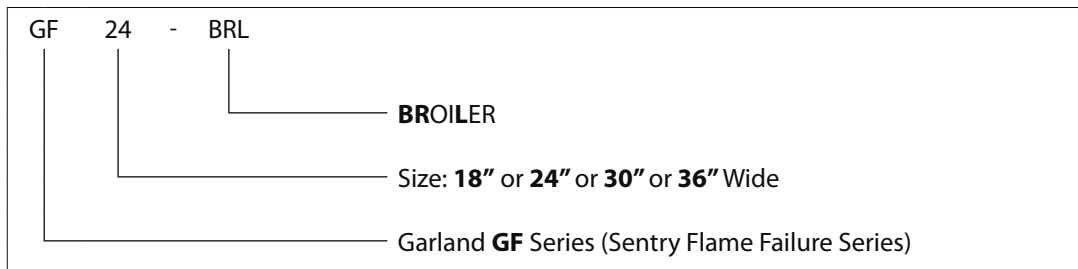


The Rating Plate is affixed to the front edge of the chassis bottom, behind the front kick panel.

Model Code Interpretation

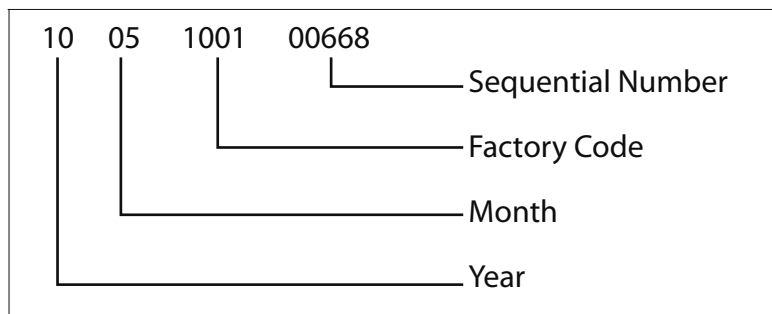
GF Series Gas Range Match Broiler Models:

GF18-BRL GF24-BRL GF30-BRL GF36-BRL

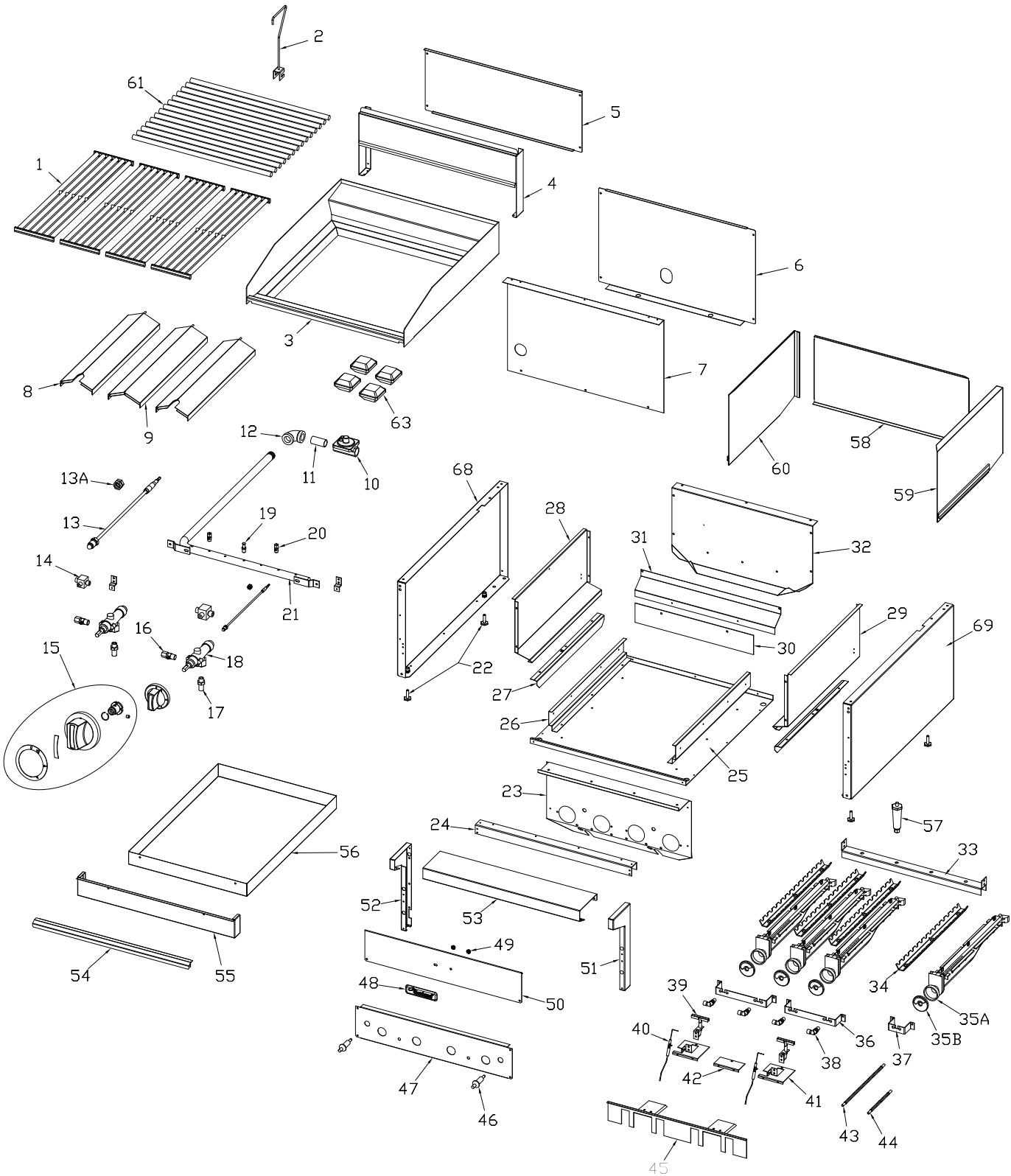


Serial# (Year/Month Information)

The Serial Number is **13 Digits** long and is stamped on the Rating Plate.



BROILER COMPONENTS



GF Range Match Broiler

GARLAND PARTS IDENTIFICATION
GF SERIES GAS RANGE MATCH BROILER models GF18/24/30/36-BRL

BROILER COMPONENTS

ITEM	PART #	DESCRIPTION	QTY (model GF__-BRL)				CRITICAL
			18	24	30	36	
1	4519965	Broiler Grates	3	4	5	6	
1A*	G03484-01-5	Broiler Grates Diamond (Optional)	3	4	5	6	
2	G02685-01-8	Rack Lifter Assembly	1	1	1	1	
3	4525750	Hopper Assembly 18" BRL	1				
	4525669	Hopper Assembly 24" BRL		1			
	4525769	Hopper Assembly 30" BRL			1		
	4525790	Hopper Assembly 36" BRL				1	
4	4525736	Back Guard 18" BRL	1				
	4525664	Back Guard 24" BRL		1			
	4525764	Back Guard 30" BRL			1		
	4525785	Back Guard 36" BRL				1	
5	4525737	Back Panel - 18" BRL	1				
	4525855	Back Panel S/S - 18" BRL (Optional)	1				
	4525700	Back Panel - 24" BRL		1			
	4525854	Back Panel S/S - 24" BRL (Optional)		1			
	4525765	Back Panel - 30" BRL			1		
	4525856	Back Panel S/S - 30" BRL (Optional)			1		
	4525786	Back Panel - 36" BRL				1	
6	4525857	Back Panel S/S - 36" BRL (Optional)				1	
	4525860	Veneer Back - 18" BRL (Optional)	1				
	4525859	Veneer Back - 24" BRL (Optional)		1			
	4525861	Veneer Back - 30" BRL (Optional)			1		
	4525862	Veneer Back - 36" BRL (Optional)				1	
7	4525738	Back - 18" BRL	1				
	4525679	Back - 24" BRL		1			
	4525766	Back - 30" BRL			1		
	4525787	Back - 36" BRL				1	
8	G02637-03-6	Radiation Shield Assembly Pilot	2	2	3	3	
9	G02637-02-6	Radiation Shield Assembly		1	1	2	
10	2127502	Regulator Natural Gas 4.5" W/C 3/4-14 NPT (non-CE)	1	1	1	1	C
	2127500	Regulator Propane Gas 10" W/C 3/4-14 NPT (non-CE)	1	1	1	1	C
	4525047	Regulator Natural Gas 3/4" (CE ONLY)	1	1	1	1	C
	4525048	Regulator Propane Gas 3/4" (CE ONLY)	1	1	1	1	C
10A*	4525088	3/4" Female NPT to Male BSPT Adapter (CE ONLY)	1	1	1	1	
11	G01738-14	3/4" NPT Nipple - 2" Length	1	1	1	1	
12	G01474-5	3/4" NPT Elbow	1	1	1	1	
13	2321901	16" Thermocouple	2	2	3	3	
13A	2155205	M8 x 1 Thermocouple Retaining Nut	4	4	6	6	
14	2333899	Tee Assembly Block Brass	1	2	2	3	
14A*	076050-14	1/4T x 1/8M Comp. Fit #D68-4A	1		1		
15	CK4527470	Knob Assembly Kit	3	4	5	6	C
16	G6809	Gum Valve 1/4"	2	2	3	3	
17	2198102	10mm Valve Connector	2	2	3	3	
18	2200194	Flame Failure Valve Assembly	2	2	3	3	C
19	G02251-1	Pressure Test Spigot	1	1	1	1	
20	2203400	1/8" NPT Plug	3	4	5	6	
21	4525803	Manifold Assembly - 18" BRL	1				
	4525804	Manifold Assembly - 24" BRL		1			
	4525805	Manifold Assembly - 30" BRL			1		
	4525806	Manifold Assembly - 36" BRL				1	

* NOT ILLUSTRATED

RECOMMENDED STOCK PARTS

GARLAND PARTS IDENTIFICATION
GF SERIES GAS RANGE MATCH BROILER *models GF18/24/30/36-BRL*

BROILER COMPONENTS

ITEM	PART #	DESCRIPTION	QTY (model GF__-BRL)				CRITICAL
			18	24	30	36	
22	F157	Bolt 3/8-16 x 1-1/16 Leg Level	4	4	4	4	
23	4525733	Front Liner - 18" BRL	1				
	4525673	Front Liner - 24" BRL		1			
	4525761	Front Liner - 30" BRL			1		
	4525782	Front Liner - 36" BRL				1	
24	4525732	Main Channel - 18" BRL	1				
	4525661	Main Channel - 24" BRL		1			
	4525760	Main Channel - 30" BRL			1		
	4525781	Main Channel - 36" BRL				1	
25	4525731	Bottom - 18" BRL	1				
	4525678	Bottom - 24" BRL		1			
	4525759	Bottom - 30" BRL			1		
	4525780	Bottom - 36" BRL				1	
26	G02635-1-7	Drip Tray Slide	2	2	4	4	
27	4525843	Spacer Liner - 18" BRL	2				
	4525847	Spacer Liner - 24" BRL		2			
	4525848	Spacer Liner - 30" BRL			2		
	4525849	Spacer Liner - 36" BRL				2	
28	4525841	Side Liner Left BRL	1	1	1	1	
29	4525842	Side Liner Right BRL	1	1	1	1	
30	2424700	Burner Hold Down - 18" BRL	1				
	2424701	Burner Hold Down - 24" BRL		1			
	2424702	Burner Hold Down - 30" BRL			1		
	2424704	Burner Hold Down - 36" BRL				1	
31	2484903	Back Spacer - 18" BRL	1				
	2484900	Back Spacer - 24" BRL		1			
	2484901	Back Spacer - 30" BRL			1		
	2484902	Back Spacer - 36" BRL				1	
32	4525869	Back Liner - 18" BRL	1				
	4525868	Back Liner - 24" BRL		1			
	4525870	Back Liner - 30" BRL			1		
	4525871	Back Liner - 36" BRL				1	
33	4525739	Burner Rest 18" BRL	1				
	4525675	Burner Rest 24" BRL		1			
	4525767	Burner Rest 30" BRL			1		
	4525788	Burner Rest 36" BRL				1	
34	G02646-2-9	Rod Support - 14 Grooves	3	4	5	6	
35A	1090500	Broiler Burner	3	4	5	6	
35B	1028002	Air Shutter	3	4	5	6	
36	4525674	Orifice Spt Brkt 12"	1	2	2	3	
37	G02640-1-6	Orifice Spt Brkt 6"	1		1		
38	G02486-52F	Orifice Fitting #52 Natural Gas (Canada/USA)	3	4	5	6	C
	G02486-49F	Orifice Fitting #49 Natural Gas (Australia)	3	4	5	6	C
	G02486-53F	Orifice Fitting #53 Natural Gas (CE)	3	4	5	6	C
	G02486-56F	Orifice Fitting #56 Propane Gas (non-CE & CE)	3	4	5	6	C
39	2206400	Pilot Burner - Natural	2	2	3	3	C
	2206401	Pilot Burner - Propane	2	2	3	3	C
40	G03151-1	Electrode Piezo 16"	2	2	3	3	C
41	4525671	Radiant Support Pilot	2	2	3	3	
42	4525672	Radiant Support		1	1	2	
43	4521446	1/4" Flex Tube Pilot - 12" Long	2	2	3	3	

* NOT ILLUSTRATED

RECOMMENDED STOCK PARTS

GARLAND PARTS IDENTIFICATION
GF SERIES GAS RANGE MATCH BROILER models GF18/24/30/36-BRL

BROILER COMPONENTS

ITEM	PART #	DESCRIPTION	QTY (model GF__-BRL)				CRITICAL
			18	24	30	36	
44	4525331	1/4in Flex Tube Main Burner - 6in Long	3	4	5	6	
45	CK4530135	Kit - Burner & Pilot Shield, 18" Assembly, G/GF Broiler	1				
	CK4530136	Kit - Burner & Pilot Shield, 24" Assembly, G/GF Broiler		1			
	CK4530137	Kit - Burner & Pilot Shield, 30" Assembly, G/GF Broiler			1		
	CK4530138	Kit - Burner & Pilot Shield, 36" Assembly, G/GF Broiler				1	
46	1309201	Ignitor Piezo	2	2	3	3	C
47	4525800	Valve Panel - 18" GF BRL	1				
	4525708	Valve Panel - 24" GF BRL		1			
	4525801	Valve Panel - 30" GF BRL			1		
	4525802	Valve Panel - 36" GF BRL				1	
48	4529725	Logo - Garland Small	1	1	1	1	
49	F640	Pal Nut for Garland Logo	2	2	2	2	
50	4525727	Front Panel - 18" BRL	1				
	4525658	Front Panel - 24" BRL		1			
	4525755	Front Panel - 30" BRL			1		
	4525778	Front Panel - 36" BRL				1	
51	4525706	End Cap Right BRL	1	1	1	1	
52	4525705	End Cap Left BRL	1	1	1	1	
53	4525726	Plate Rail - 18" BRL	1				
	4525680	Plate Rail - 24" BRL		1			
	4525754	Plate Rail - 30" BRL			1		
	4525777	Plate Rail - 36" BRL				1	
54	4525850	Handle Grease Tray - 24" Long		1			
	4525851	Handle Grease Tray - 18" Long	1		1	2	
	4525852	Handle Grease Tray - 12in Long			1		
55	4525654	Fascia Grease Tray - 24" Long		1			
	4525729	Fascia Grease Tray - 18" Long	1		1	2	
	4525757	Fascia Grease Tray - 12" Long			1		
56	4525655	Grease Tray - 24" Wide		1			
	4525730	Grease Tray - 18" Wide	1		1	2	
	4525758	Grease Tray - 12" Wide			1		
57	078109-2	4in Adjustable Leg (Optional)	4	4	4	4	
58	4525772	Splatter Guard Back 18" BRL (Optional)	1				
	4525773	Splatter Guard Back 24" BRL (Optional)		1			
	4525774	Splatter Guard Back 30" BRL (Optional)			1		
	4525775	Splatter Guard Back 36" BRL (Optional)				1	
59	4525770	Splatter Guard Right BRL (Optional)	1	1	1	1	
60	4525771	Splatter Guard Left BRL (Optional)	1	1	1	1	
61	G03866-5-5	Steel Rod 5/8 Dia - 18" BRL	14				
	G03866-1-5	Steel Rod 5/8 Dia - 24" BRL		14			
	G03866-2-5	Steel Rod 5/8 Dia - 30" BRL			14		
	G03866-3-5	Steel Rod 5/8 Dia - 36" BRL				14	
62*	4514778	18" Splatter Guard Shelf (Optional)	1	1	1	1	
	4514780	24" Splatter Guard Shelf (Optional)		1	1	1	
	4514783	36" Splatter Guard Shelf (Optional)				1	
63	4523902	Briquettes 84 Pcs	1	1			
	4523903	Briquettes 126 Pcs			1	1	
64*	G02706-1	Porcelain Support Wire	3	4	5	6	
68	4525662	Body Side Assembly Left BRL	1	1	1	1	
69	4525663	Body Side Assembly Right BRL	1	1	1	1	

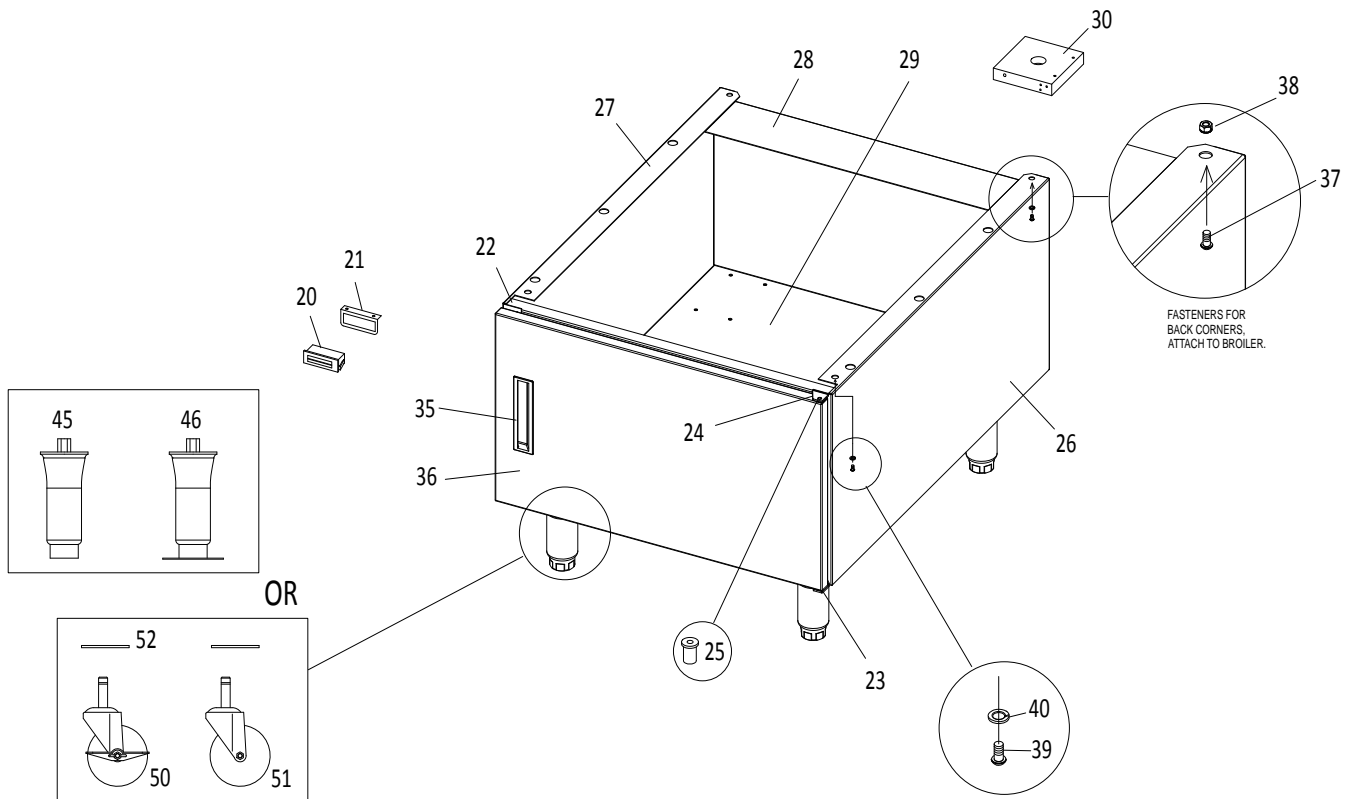
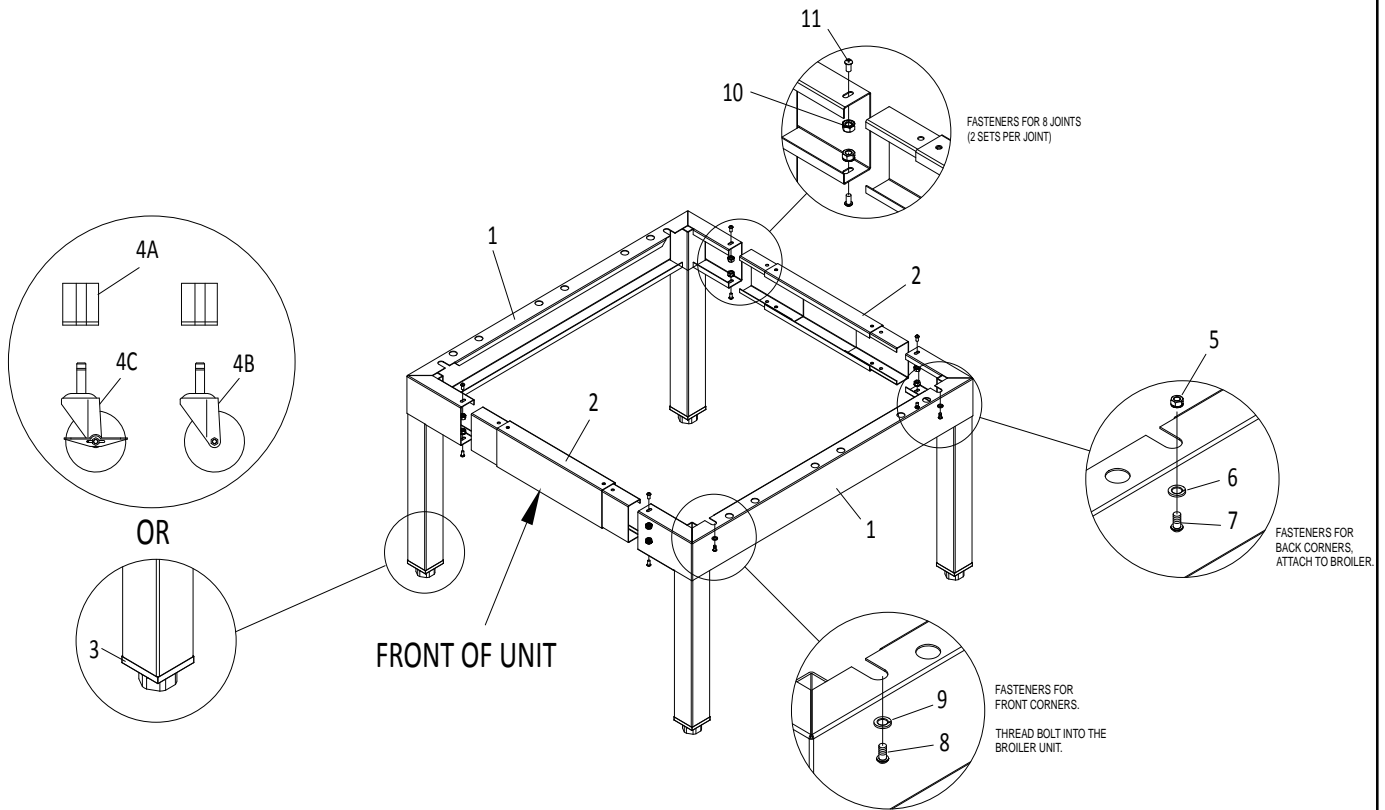
* NOT ILLUSTRATED

RECOMMENDED STOCK PARTS



GF SERIES GAS RANGE MATCH BROILER
models GF18/24/30/36-BRL

EQUIPMENT STAND - with / without CABINET



Broiler Stands 18"-36"

GARLAND PARTS IDENTIFICATION
GF SERIES GAS RANGE MATCH BROILER
models GF18/24/30/36-BRL

EQUIPMENT STAND COMPONENTS

ITEM	PART #	DESCRIPTION	QTY
EQUIPMENT STAND without CABINET - GF18/24/30/36-BRL			
1	4525807	Side Leg Assembly, Broiler with Legs	2
	4525808	Side Leg Assembly, Broiler with Casters	2
2	4525812	Front & Rear Sleeve Assembly - 18"	2
	4525813	Front & Rear Sleeve Assembly - 24"	2
	4525814	Front & Rear Sleeve Assembly - 30"	2
	4525815	Front & Rear Sleeve Assembly - 36"	2
3	G02954-1	2" Square Insert (for Stand with Legs)	4
4A	3018901	2" Plastic Square Insert (for Stand with Casters)	4
4B	3018801	NSF Caster without Brake (for Stand with Casters)	2
4C	3018800	NSF Caster with Brake (for Stand with Casters)	2
5	F86	Nut-1/4-20 W/Starwasher K-Lok	2
6	F111	Washer-1/4in Sae Steel Zinc Chr.	2
7	F192	Screw-1/4-20 x 1/2in Hex Cap S/S	2
8	F204	Bolt 3/8-16 X 1in Hex Cap S/S	2
9	F256	Lockwasher-3/8 S/S Split	2
10	F312	Lock Nut-10-24 K-Lock Steel	8
11	F35	Screw-10-24 x 3/8in Truss Hd Comb	8
12*	4525312	Assembly Instructions - Broiler Stand	1
EQUIPMENT STAND with CABINET - GF18/24/30/36-BRL			
20	078174-1	Magnetic Door Catch	1/Door
21	2131300	Magnetic Catch Support	1/Door
22	2525501	Front Channel - 18" Broiler Cabinet	1
	2525500	Front Channel - 24" Broiler Cabinet	1
	2525502	Front Channel - 30" Broiler Cabinet	1
	2525503	Front Channel - 36" Broiler Cabinet	1
23	2683298	Door Hinge Assembly Left	1/Door
24	2683299	Door Hinge Assembly Right	1/Door
25	078056-5	Flanged Bushing	2/Door
26	4525714	Side Right Broiler Cabinet	1
27	4525715	Side Left Broiler Cabinet	1
28	4525716	Back 18" Broiler Cabinet	1
	4525717	Back 24" Broiler Cabinet	1
	4525718	Back 30" Broiler Cabinet	1
	4525719	Back 36" Broiler Cabinet	1
29	4525721	Bottom 18" Broiler Cabinet	1
	4525722	Bottom 24" Broiler Cabinet	1
	4525723	Bottom 30" Broiler Cabinet	1
	4525724	Bottom 36" Broiler Cabinet	1
30	4525749	Base Corner Assembly	4
35	3031900	Storage Door Handle	1/Door
36	4525751	Door Assembly 18"/36" Broiler Cabinet - Complete	GF18 - 1 GF36 - 2
	4525752	Door Assembly 24" Broiler Cabinet - Complete	1
	4525753	Door Assembly 30" Broiler Cabinet - Complete	2

* NOT ILLUSTRATED

RECOMMENDED STOCK PARTS

GARLAND PARTS IDENTIFICATION

GF SERIES GAS RANGE MATCH BROILER

models **GF18/24/30/36-BRL**

EQUIPMENT STAND COMPONENTS

ITEM	PART #	DESCRIPTION	QTY
36A*	4525743	Door Panel 18"/36" Broiler Cabinet	GF18 - 1 GF36 - 2
	4525744	Door Panel 24" Broiler Cabinet	1
	4525745	Door Panel 30" Broiler Cabinet	2
36B*	4525746	Door Liner 18"/36" Broiler Cabinet	GF18 - 1 GF36 - 2
	4525747	Door Liner 24" Broiler Cabinet	1
	4525748	Door Liner 30" Broiler Cabinet	2
37	F192	Screw 1/4-20 x 1/2in Hex Cap S/S	2
38	F86	Nut 1/4-20 W/Starwasher K-Lok	2
39	F204	Bolt 3/8-16 X 1in Hex Cap S/S	2
40	F256	Lockwasher 3/8 S/S Split	2
41*	F10	Screw 8-32 x 3/8in Type F Pan Head	2-4
42*	F60	Screw 10A x 5/8 Interlock Quad Pan	20-24
43*	F72N	Screw-10 x 3/8 Pan Washer Hd Shtmtl Screw Npl	17-21
45	4525074	Adjustable S/S Legs 6"	4
46	4524104	6in Flanged Leg (Option)	4
50	4522916	6" Caster Leg Assembly with Brake	2
	4525598	6" Adjustable Caster with Brake	2
51	4522417	6" Caster Leg Assembly NO Brake	2
	4525597	6" Adjustable Caster NO Brake	2
52	4526157	Caster Washer	4
53*	4526158	Instructions - Caster Washer Installation	1
54*	4526154	Instructions - Mounting Broiler Onto Cabinet	1

* NOT ILLUSTRATED

RECOMMENDED STOCK PARTS

NOTES

GARLAND PARTS IDENTIFICATION

GF SERIES GAS RANGE MATCH BROILER

models **GF18/24/30/36-BRL**

CRITICAL & RECOMMENDED STOCK PARTS LIST

PART #	DESCRIPTION
1309201	Ignitor Piezo
2127500	Regulator Propane Gas 10" W/C 3/4-14 NPT (non-CE)
2127502	Regulator Natural Gas 4.5" W/C 3/4-14 NPT (non-CE)
2200194	Flame Failure Valve Assembly
2206400	Pilot Burner - Natural
2206401	Pilot Burner - Propane
4523902	Briquettes 84 Pcs
4523903	Briquettes 126 Pcs
4525047	Regulator Natural Gas 3/4" (CE ONLY)
4525048	Regulator Propane Gas 3/4" (CE ONLY)
CK4527470	Knob Assembly Kit
G02486-49F	Orifice Fitting #49 Natural Gas (Australia)
G02486-52F	Orifice Fitting #52 Natural Gas (Canada/USA)
G02486-53F	Orifice Fitting #53 Natural Gas (CE)
G02486-56F	Orifice Fitting #56 Propane Gas (non-CE & CE)
G03151-1	Electrode Piezo 16in

GARLAND PARTS IDENTIFICATION
GF SERIES GAS RANGE MATCH BROILER
models GF18/24/30/36-BRL

REVISION HISTORY

REV.	PAGE#	ITEM#	NOTES	DATE
0			Part List Released - GF Series gas range match broiler	25-JUNE-09
1	9,13,17,21	45	Part number replaced - was 4522415 (6in Adjustable S/S Legs)	28-SEP-09
	10,14,18,22	50	Part number replaced - was 4523014 (Adjustable Caster Leg Assembly With Brake)	
		51	Part number replaced - was 4523013 (Adjustable Caster Leg Assembly Without Brake)	
2	4		New drawing (All Components). Removed items 15A, 15B, 15C.	06-NOV-09
	5	15	New part number added (4527467)	
		15A	Part number removed - was 4522283 (Trim Open Top Knob)	
		15B	Part number removed - was 4525866 (Dial GF Series Broiler)	
		15C	Part number removed - was 4522583 (Knob Open Top Burner)	
3	9	45	New Parts CK4530135/6/7/8 replaced 4525740/4525670/4525760/4525789.	15-OCT-11
	9	48-49	New Logo 4529725 using fastener F640 replace old logo design 4523154 using fastener F95.	
	10-13		Combined pages for GF18-36 Equipment Stands. Were pages 8-22 in Rev 2.	
			Added introduction pages and critical parts list.	
	7	15	Knob Asm Kit - CK4527470 - replaced Knob Asm 4527468.	
4	6	45	Modified illustration.	09-JUL-12

 **Garland**[®]

 **Manitowoc**