



***G280 SERIES RANGES***  
***(U.S. Built)***

**PARTS LIST**

Toll Free Phone, (US & Canada): (800) 427-6668

Toll Free Fax, (US & Canada): (800) 361-7745

<http://www.garland-group.com>

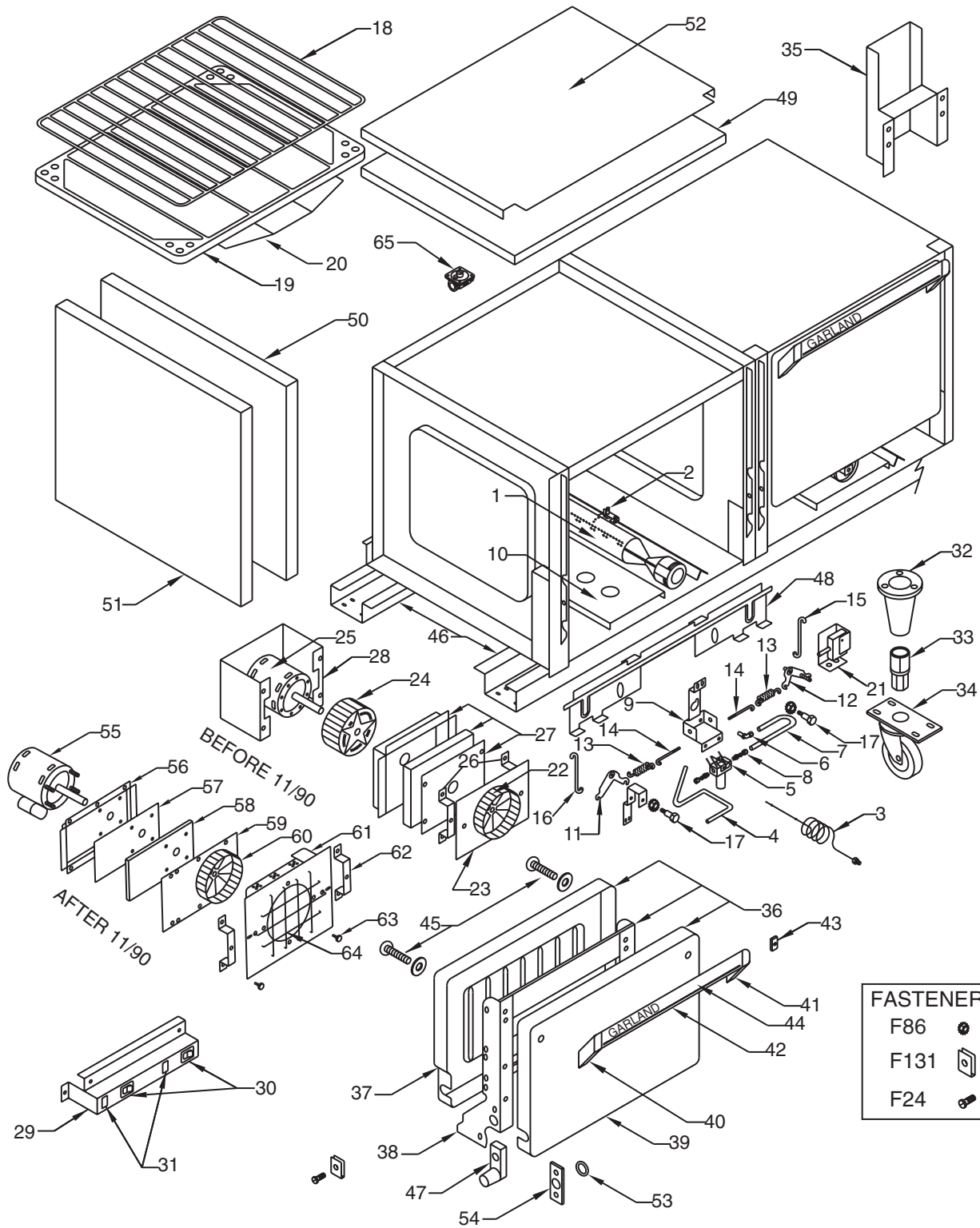




# ***G280 SERIES RANGES*** ***(U.S. Built)***

## ***Contents:***

G280 Ranges Oven Section, (Including 'RC Convection Oven).....	Page 4
G280 Ranges Oven Top Section .....	Page 8
G280 Ranges Hot Top Section .....	Page 10
G280 Ranges Raised Griddle/Broiler Section .....	Page 12
G280 Ranges Valve Controlled Griddle Section.....	Page 14
G280 Ranges Thermostatically Controlled Griddle Section .....	Page 16
G280 Ranges Exterior Finish Section .....	Page 18
G280 Ranges Backguard & Hi Shelves .....	Page 22
Revision History.....	Page 24



SK500  
REV.0  
GPS99-G280-OVEN

## GARLAND PARTS IDENTIFICATION

### G280 Series Ranges

#### Oven

ITEM	PART #	DESCRIPTION	QUANTITY PER OVEN		
			20"	26"	RC BASE
1	1028197	Steel Burner Only LP or Nat	1	1	1
2	1028299	Pilot Burner Assy Nat	1	1	1
	1028206	Pilot Orifice .021 Nat	1	1	1
	1028298	Pilot Burner Assy LP	1	1	1
	1028207	Pilot Orifice .011 LP	1	1	1
3	1019418	Thermocouple	1	1	1
4	1586801	Pilot Tubing	1	1	
	1392500	Pilot Tubing RC			1
5	1027000	Automatic Safety Valve (TS11)	1	1	1
	1415702	Baso Safety Valve (Must Specify The Required Valve)	1	1	1
	1027499	Male Connector	1	1	1
6	1088286	Orifice Fitting Nat		1	1
	M9-35	Orifice #35 Drill		1	1
	1088298	Orifice Fitting LP		1	1
	M9-52	Orifice #52 Drill		1	1
	1028983	Orifice Fitting Nat	1		
	M9-42	Orifice #42 Drill	1		
	1028980	Orifice Fitting LP	1		
	M9-55	Orifice #55 Drill	1		
7	1392500	Orifice Tubing	1	1	1
8	1086203	Compression Nut	2	2	2
9	1361000	Orifice Support Bracket		1	1
	1374200	Orifice Support Bracket	1		
10	G6523-1-6	Oven Bottom Air Plate		2	2
11	1082196	Bell Crank Left	1		
	1082198	Bell Crank Left		1	1
12	1082199	Bell Crank Right		1	
	1082197	Bell Crank Right			1
13	1005800	Oven Door Spring	1	2	2
14	9004700	J-Bolt(1/4"-20"X5")	1		
	9004701	J-Bolt(1/4"-20"X3 1/8")		2	2
15	1082802	Hinge Link Right	1	1	1
16	1082803	Hinge Link Left	1	1	1
17	GF299	Bell Crank Bolt	1	2	2
	1386100	Bell Crank Support			2
	1357301	Bell Crank Support	1		
18	2117000	Oven Rack (Used Before 3/7/94)		1	
	2301200	Oven Rack (Used After 3/7/94)			3
	1311100	Rack Guide Left (Used After 3/7/94)			1
	1311101	Rack Guide Right (Used After 3/7/94)			1
	1356600	Rack Guide Clip (Used After 3/7/94)			4
		(Above 3 items - not shown - are removable)			
		9002200	Oven Rack (Used Before 3/7/94)	1	
	2301201	Oven Rack (Used from 3/7/94)	1		
19	1438494	Oven Bottom Assy		1	
	2157098	Oven Bottom Assy	1		
	1411500	Casing Bottom			1

\* NOT ILLUSTRATED

#### **RECOMMENDED STOCK PARTS**

## GARLAND PARTS IDENTIFICATION

### G280 Series Ranges

#### Oven

ITEM	PART #	DESCRIPTION	QUANTITY PER OVEN		
			20"	26"	RC BASE
20	1357700	Fireplate (RC Oven Only)			1
21	1386000	Door Switch Shield (Used Before 9/27/93)			1
	1386001	Door Switch Shield (Used After 9/27/93)			1
	1019600	Door Switch			1
22	1270301	Inner Blower Wheel (Used to 10/30/90)			1
23	1313098	Air Baffle (Used to 10/30/90)			1
24	1025360	Outer Blower Wheel (Used to 10/30/90)			1
25	1003031	Motor 115V (Used to 10/30/90)			1
26	1361299	Air Baffle Support (Used to 10/30/90)			2
27	1311398	Motor Mount Assy (Used to 10/30/90)			1
28	1321000	Motor Mount Bracket (Used to 10/30/90)			1
29	1414199	Switch Box Cover (Used up to 2/29/96)			1
	1414000	Switch Panel Dual (RC 2 Model Only)			1
30	1358900	Rocker Switch On-Off-On			1
31	1006496	Amber Pilot Light			1
32	1027600	Leg Retainer	4	4	4
33	1150502	Bullet Legs	4	4	4
34	1027800	Caster W/O Brake	2	2	2
	1027801	Caster W/Brake	2	2	2
35	1005399	Flue Box Assy	1	1	
	1413899	Flue Riser S/W Assy			1
36	CK137	Oven Door Assy - S/S - Std (consists of items 37 - 45, 47)		1	1
	CK202	Oven Door Assy - S/S (consists of items 37 - 45, 47)	1		
37	1439796	Oven Door Lining GCE		1	1
	1439795	Oven Door Lining GCE	1		
38	G03984-03-8	Oven Door Insert W/A		1	1
	G03984-04-8	Oven Door Insert W/A	1		
39	1439901	Oven Door Panel S/S		1	1
	1368801	Oven Door Panel 24" S/S	1		
40	9003701	Handle End Lt.	1	1	1
	G3814-60L	Handle End Lt. (Old Style)	1	1	1
41	9003700	Handle End Rt.	1	1	1
	G3814-60R	Handle End Rt. (Old Style)	1	1	1
42	1591000	Extruded Handle		1	1
	1589101	Extruded Handle	1		
	G03837-1-8P	Handle (Old Style) NLA - Must Convert		1	1
43	1794201	Spacer (New Style)	2- Per Door		
	1016703	Spacer (Old Style)	2- Per Door		
44	1592000	Handle Overlay		1	1
	1592001	Handle Overlay	1		
45	1120044	Screw, Trusshead (Used Sept. 86 to Jan. 88)	2	2	2
	9003300	Hex Washer, HD thrd, Rolling Screw (Used From Jan. 83)	2	2	2
	1120416	Alum. Padded Washer (Used to Nov 87)	2	2	2
46	1512200	Repaired Channel Oversized		2	
	1512201	Repaired Channel Oversized		2	
47	1082500	Oven Door Trunion	2	2	2
48	1082001	Lower Front Plate	1	1	1

\* NOT ILLUSTRATED

#### **RECOMMENDED STOCK PARTS**

## GARLAND PARTS IDENTIFICATION

### G280 Series Ranges

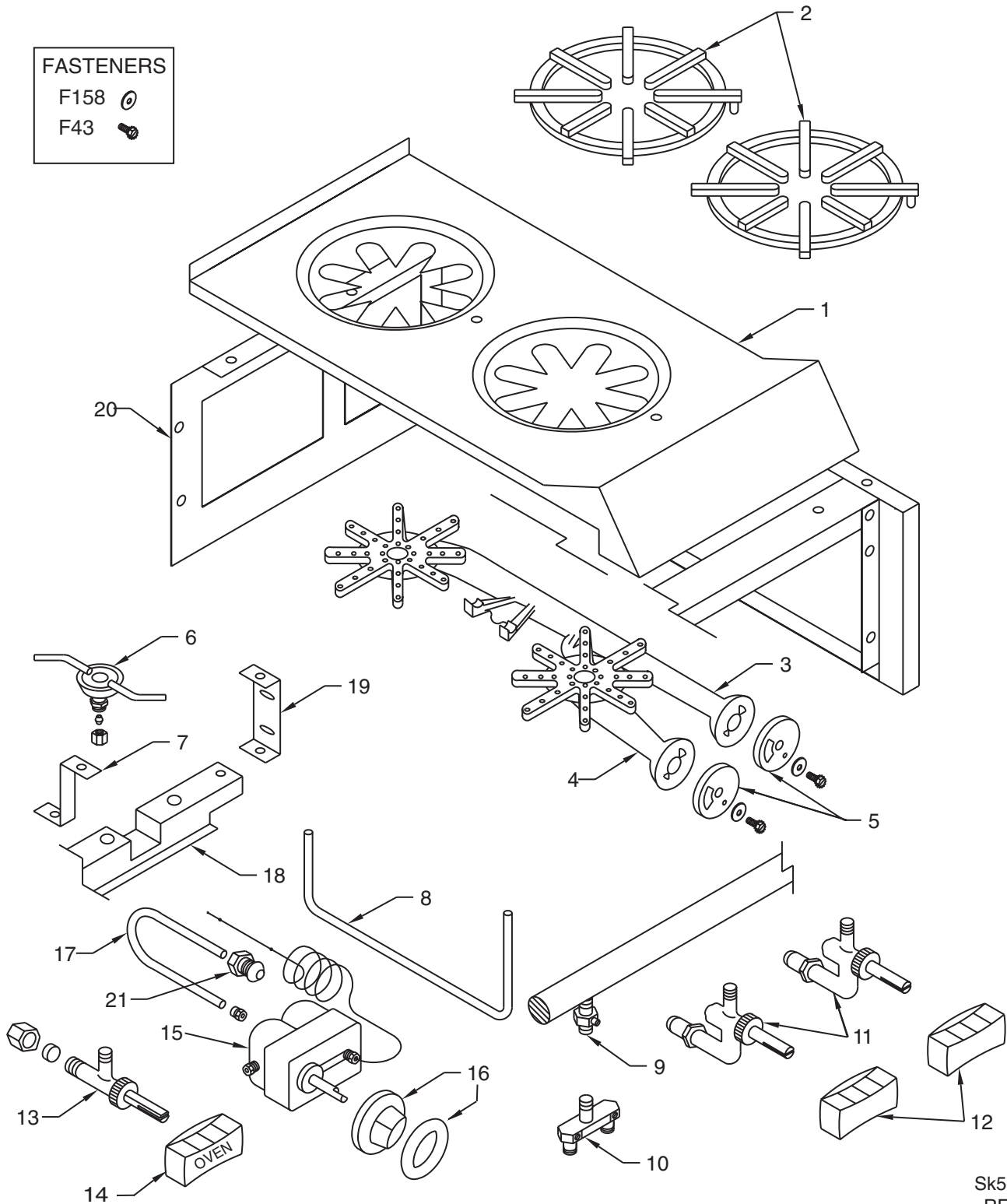
#### Oven

ITEM	PART #	DESCRIPTION	QUANTITY PER OVEN		
			20"	26"	RC BASE
49	1472300	Top Insulation 28x23x2	1	1	1
50	1472200	Side Insulation	2	2	2
51	1081107	Body Side L/H Painted	1	1	1
	1081109	Body Side L/H S/S	1	1	1
	1081100	Body Side R/H Painted	1	1	1
	1081104	Body Side R/H S/S	1	1	1
52	1368700	Burner Box Bottom	1	1	1
	1392200	Burner Box Bottom	1	1	1
	1080915	Burner Box Bottom	1	1	1
53	1082700	Harness Ring	2	2	2
54	1083001	Trunnion Support	2	2	2
<b>Items 55 To 64 Are Available As Assembly # CK2485801</b>					
55	2485801	Motor (Effective 11/1/90)	1	1	1
56	1311400	Motor Pocket (Effective 11/1/90)	1	1	1
57	1309072	Cera Blanket (Effective 11/1/90)	1	1	1
58	1669100	Motor Pocket Insulation Board (Effective 11/1/90)	1	1	1
59	1311300	Motor Mount Plate (Effective 11/1/90)	1	1	1
60	G02952-01P	Blower Wheel (Effective 11/1/90)	1	1	1
61	2395999	Air Baffle GCE (Effective 11/1/90)	1	1	1
62	1361299	Air Baffle Support (Effective 11/1/90)	2	2	2
63	1031901	Thumb Screws (Effective 11/1/90)	2	2	2
64	1014500	Blower Inlet Cover (Effective 11/1/90)	1	1	1
65	1019010	Pressure Regulator Nat	1 - Per Range		
	2127500	Pressure Regulator LP	1 - Per Range		

\* NOT ILLUSTRATED

#### ***RECOMMENDED STOCK PARTS***

**FASTENERS**  
 F158   
 F43 



Sk5001  
 REV 0  
 GPS99-G280-Open Top



GARLAND PARTS IDENTIFICATION

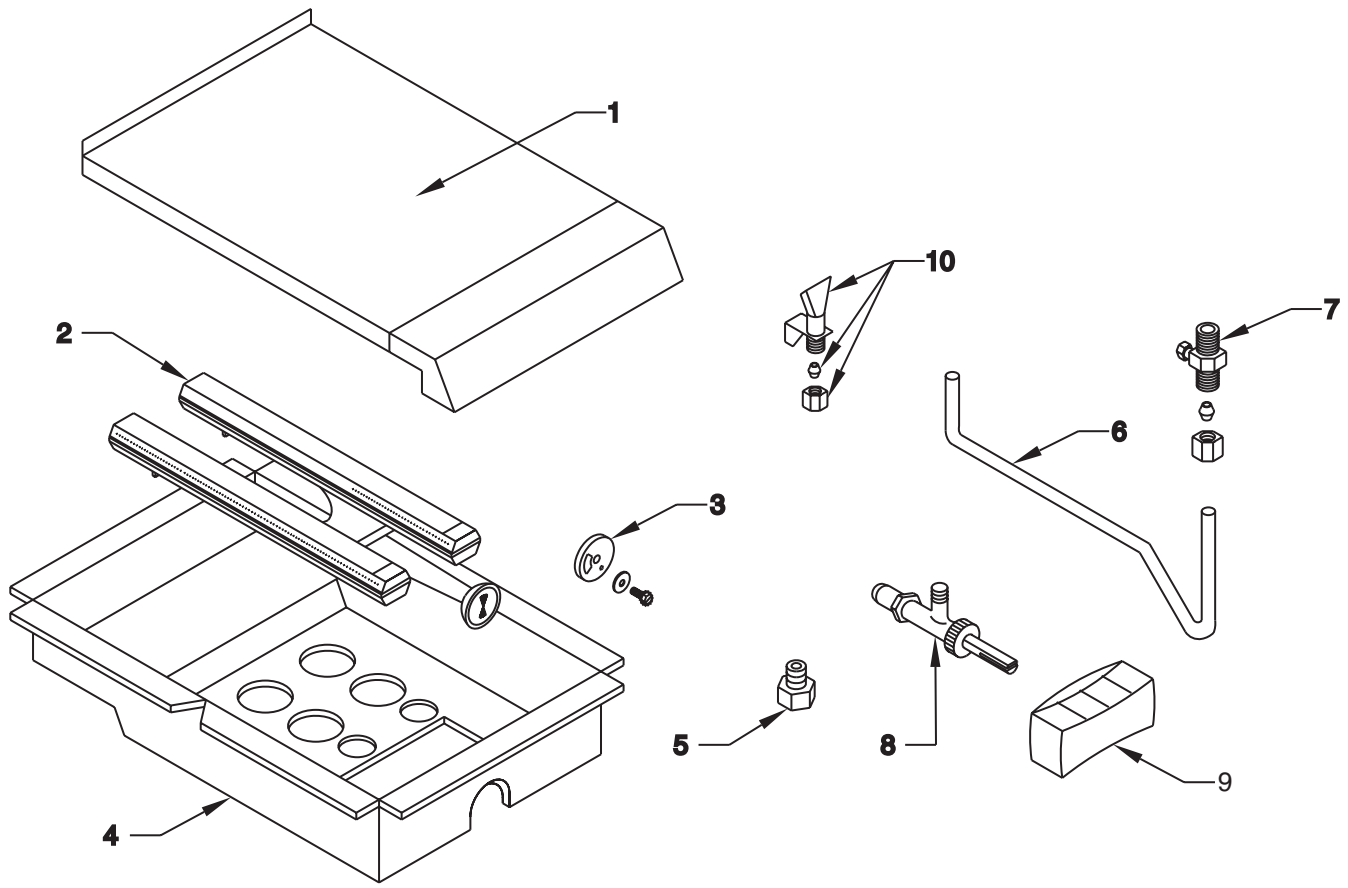
G280 Series Ranges



OPEN TOP

ITEM	PART #	DESCRIPTION	QUANTITY PER 12" SECTION					
			24"	36"	48"	60"	72"	
1	1554197	Top Grate Assy GCE (Used From 5/16/89)						1
	1372099	Top Grate Assy (Old Style Used Before 5/15/89)						1
2	1689802	Ring Grate 2 Pin (Used From 5/16/89)						2
	1361601	Ring Grate 1 Pin (Old Style Used Before 5/15/89)						2
3	1553700	Top Burner Rear (Used From 5/16/89)						1
	1089200	Top Burner Rear (Old Style Used Up To 5/15/89)						1
4	1553800	Top Burner Front (Used From 5/16/89)						1
	1089201	Top Burner Front (Old Style Used Up To 5/15/89)						1
5	1028002	Air Shutter						2
6	G7804-280	Top Pilot Lighter W/Flash Tubes						1
7	1388900	Top Lighter Support Assy						1
8	1032617	Steel Tubing 1/8"x17" 028						1
9	1086199	Top Pilot Valve Assy						1
10	1510403	Y-Pilot W/Adj. 1/8 CC, 3/16 CC						As Required
11	1562599	Top Burner Valve Assy Nat (Used From 5/16/89)						1
	26878XX	Top Burner Valve Assy (Old Style)						1
	M8-46	Orifice Nat #42F						1
	1562598	Top Burner Valve LP (Used From 5/16/89)						1
	26878XX	Gas Valve (Old Style)						1
	M8-55	Orifice LP #55F						1
12	1089100	Valve Handle						2
13	1085999	Oven Valve						1 - Per Oven
14	1089101	Oven Valve Handle						1 - Per Oven
15	G03145-048	Oven T-stat FDO (Used After 1983)						1 - Per Oven
	1086700	BJ Oven Control (Used 1980 And To End Of 1983)						1 - Per Oven
16	G02716-3	Dial (For FDO Type Thermostat Only)						1
	G02725-16	Dial Insert (For FDO Type Thermostat Only)						1
	1086703	Dial - BJ Type						1
17	1090311	Alum. Tubing 7/16x11" 032 "						1 - Per Oven
ITEM	PART #	DESCRIPTION	24"	36"	48"	60"	72"	
18	1664401	Burner Rest	1		2	2		
	1664402	Burner Rest - 36" (Also Used On G283)		1			2	
	1664403	Burner Rest - 60"				1		
19	1084200	Burner Rest Support Bracket	2	2	4	2	4	
	1664501	Center Burner Rest Support		1	4	2	4	
20	1085000	Burner Box Front Channel 36"		1			2	
	1085104	Burner Box Front Channel 24"	1		2			
	1085100	Burner Box Front Channel 60"				1		
21	1017504	Tube Nut						2 - Per Thermostat

\* NOT ILLUSTRATED

**RECOMMENDED STOCK PARTS**



FASTENERS	
F158	
F43	

## GARLAND PARTS IDENTIFICATION

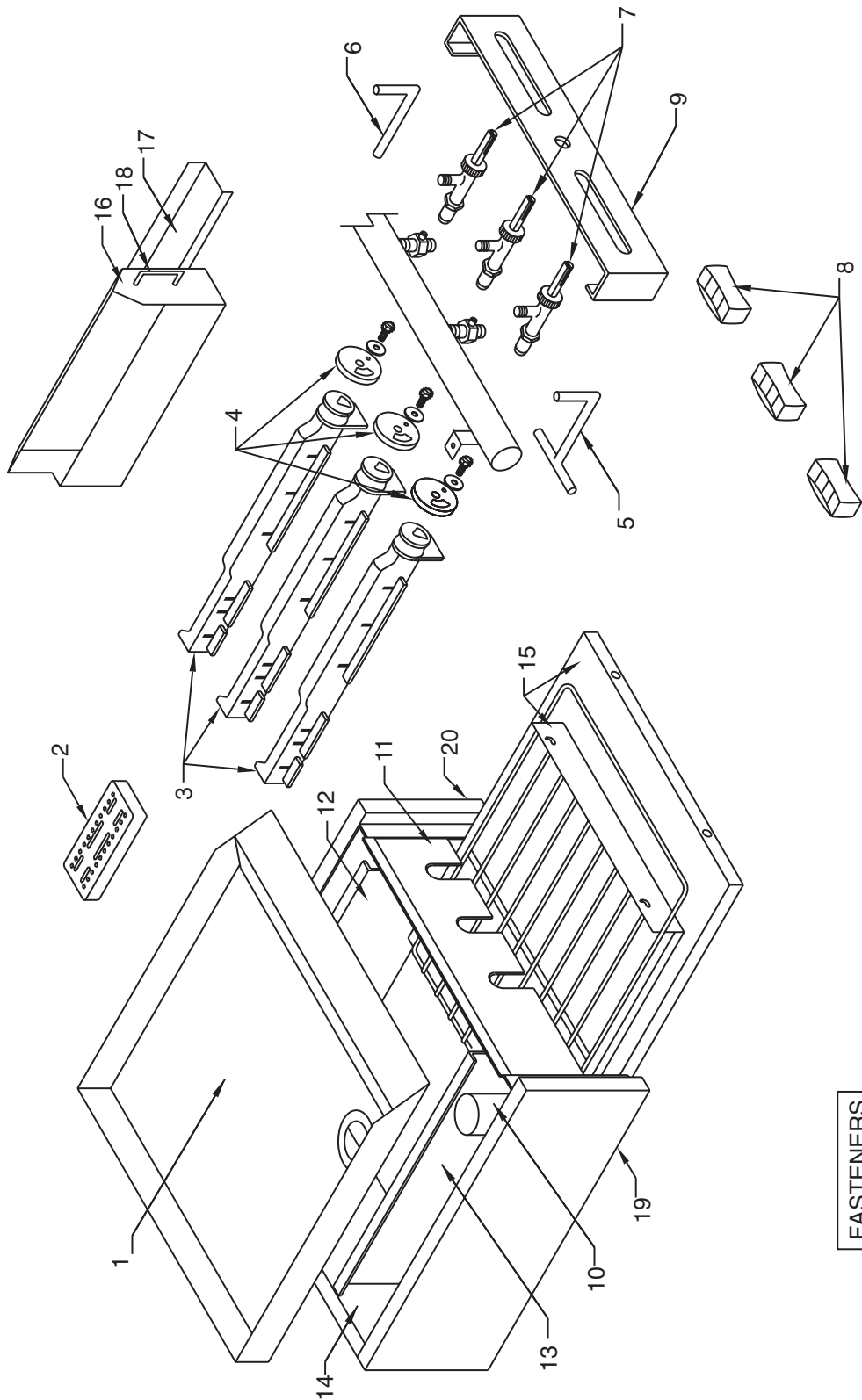
### G280 Series Ranges

#### Hot Top

ITEM	PART #	DESCRIPTION	QUANTITY PER 12" SECTION
1	1363899	Hot Top Plate W/A	1
2	1014900	Griddle Burner	1
3	1028002	Air Shutter	1
4	1092098	Insert Burner Box 12"	1
	1728398	Griddle Burner Rest Assy	1
5	1007300	Steel Pipe Plug 1/8"	1
6	1028308	Alum. Tubing 3/16"x8 1/2"	1
7	1086597	Pilot Adj. Valve 1/8"x3/16" CC NPT	1
8	26878XX	Hot Top Valve Nat	1
	M8-46	Hot Top Orifice Hood #46	1
	26878XX	Hot Top Valve LP	1
	M8-55	Hot Top Orifice Hood #55	1
9	1089100	Valve Handle	1
10	1415300	Burner Pilot Assy Nat	1
	1028206	Pilot Orifice - Nat .021	1
	1415301	Burner Pilot Assy - LP	1
	1028207	Pilot Orifice - LP .011	1
	M245	Compression Nut 3/16"	1
	M246	Compression Ferrule 3/16"	1

\* NOT ILLUSTRATED

***RECOMMENDED STOCK PARTS***



<b>FASTENERS</b>
F158
F43

Sk5003  
REV.0  
GPS99-G280-Raised Griddle Broiler

## GARLAND PARTS IDENTIFICATION

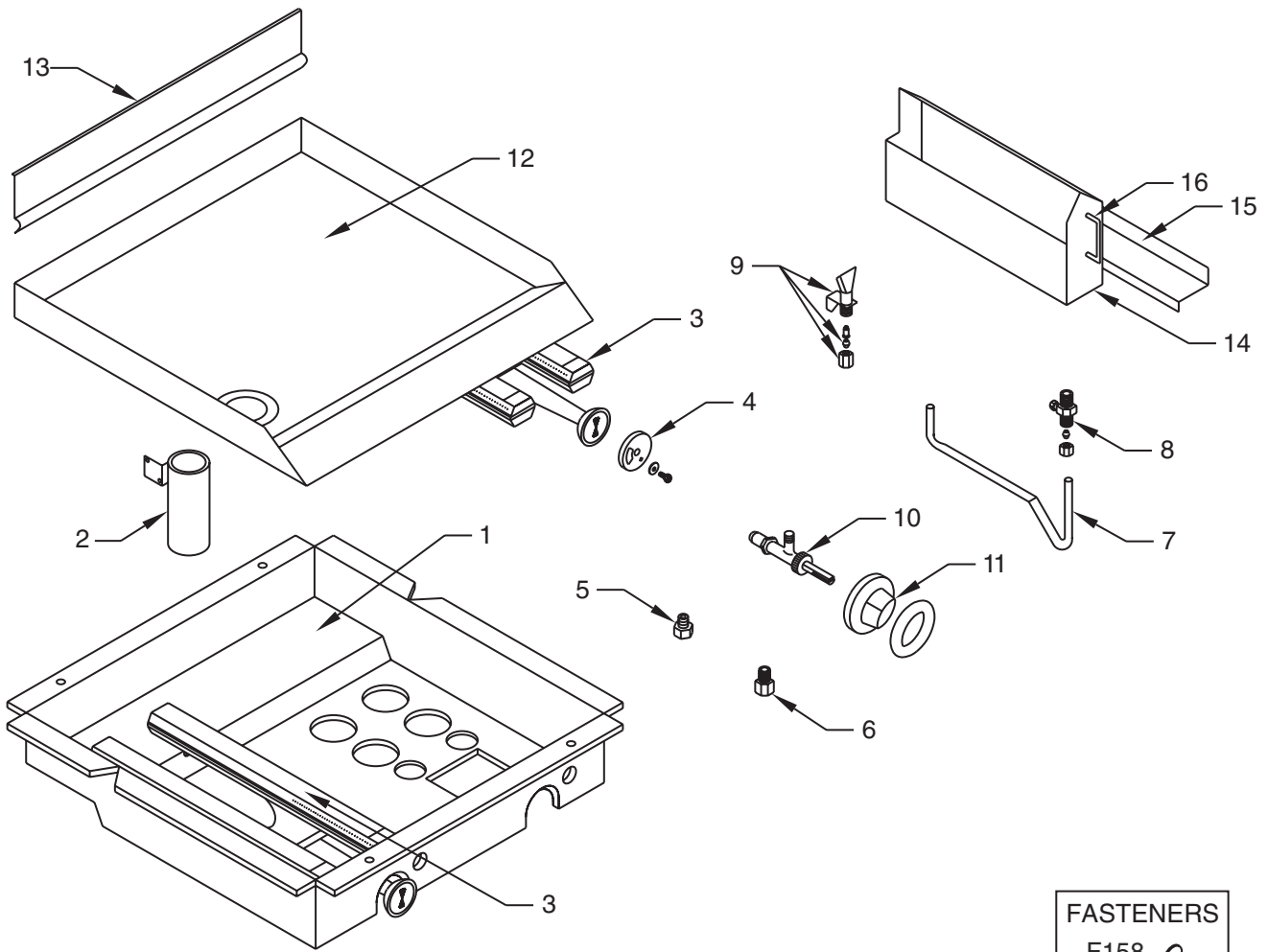
### G280 Series Ranges

#### Raised Griddle/Broiler

ITEM	PART #	DESCRIPTION	QUANTITY	
			24"	36"
1	1363999	Raised Griddle W/A 24"	1	
	1363797	Raised Griddle W/A 24" - Rt. Side Drain (OPT) (Used up to 3/21/89)	1	
	1363798	Raised Griddle - Rt. Side Drain (Std)		1
2	1091000	Ceramic Radiants	8	8
3	1090500	Broiler Grid Burner	3	3
	1014900*	Griddle H Burner (G285)		1
4	1028002	Air Shutter	3	4
5	1087401	Pilot Lighter L/H (Used up to 9/13/95)	1	1
6	1087400	Pilot Lighter R/H (OBS. Replace by Conv. Kits below)	1	1
	CK1144(NAT)	Pilot Tube Conv. Kit (Used from 9/13/95)	1	1
	CK1145(LP)	Pilot Tube Conv. Kit (Used from 9/13/95)	1	1
	1415300	Pilot Burner Nat	1	1
	1028206	Orifice Bell Nat .018	1	1
	1415301	Pilot Burner LP		1
	1028207	Orifice Bell LP .011		1
7	26878XX	Top Burner Valve Nat	3	3
	M8-51	Orifice #51 Drill Nat	3	3
	1087696	Top Burner Valve LP	3	3
	M8-57	Orifice #57 Drill LP	3	3
	26878XX	"H" Burner Valve Nat		1
	M8-46	Orifice #46 Drill Nat		1
	26878XX	"H" Burner Valve LP		1
	M8-55	Orifice #55 Drill LP		1
8	1089100	Valve Handle	3	4
9	1374904	Valve Panel 24" R/G	1	
	1296908	Valve Panel 36" R/G		1
10	1085500	Drain Tube	1	
11	1414900	Broiler Valve Shield	1	1
	1085700	Broiler Burner Rest	1	1
12	1081999	Broiler Side Lining Right	1	1
13	1081998	Broiler Side Lining Left	1	1
14	1511200	Broiler Back Lining	1	1
15	1090798	Broiler Rack Drip Shield Assy (Consists of parts below)		
	1090600	Broiler Rack	1	1
	1090797	Broiler Rack Drip Shield	1	1
16	1391900	Grease Bucket Assy R/H Painted	1	1
	1391901	Grease Bucket Assy L/H Painted	1	1
	1391902	Grease Bucket R/H S/S	1	1
	1391903	Grease Bucket L/H S/S	1	1
17	1391801	Grease Bucket Support S/S (OPT)	1	1
	1391800	Grease Bucket Support Painted (OPT)	1	1
18	1391701	Grease Bucket Handle	1	1
19	1084707	Broiler Box Side Lt. G/G	1	1
	1085401	Broiler Box Veneer Lt. S/S	1	1
20	1084700	Broiler Box Side Rt. G/G	1	1
	1084703	Broiler Box Side Rt. S/S	1	1

\* NOT ILLUSTRATED

#### **RECOMMENDED STOCK PARTS**



FASTENERS	
F158	
F43	

Sk5004  
REV.0  
GPS99-G280-Griddle Top

## GARLAND PARTS IDENTIFICATION

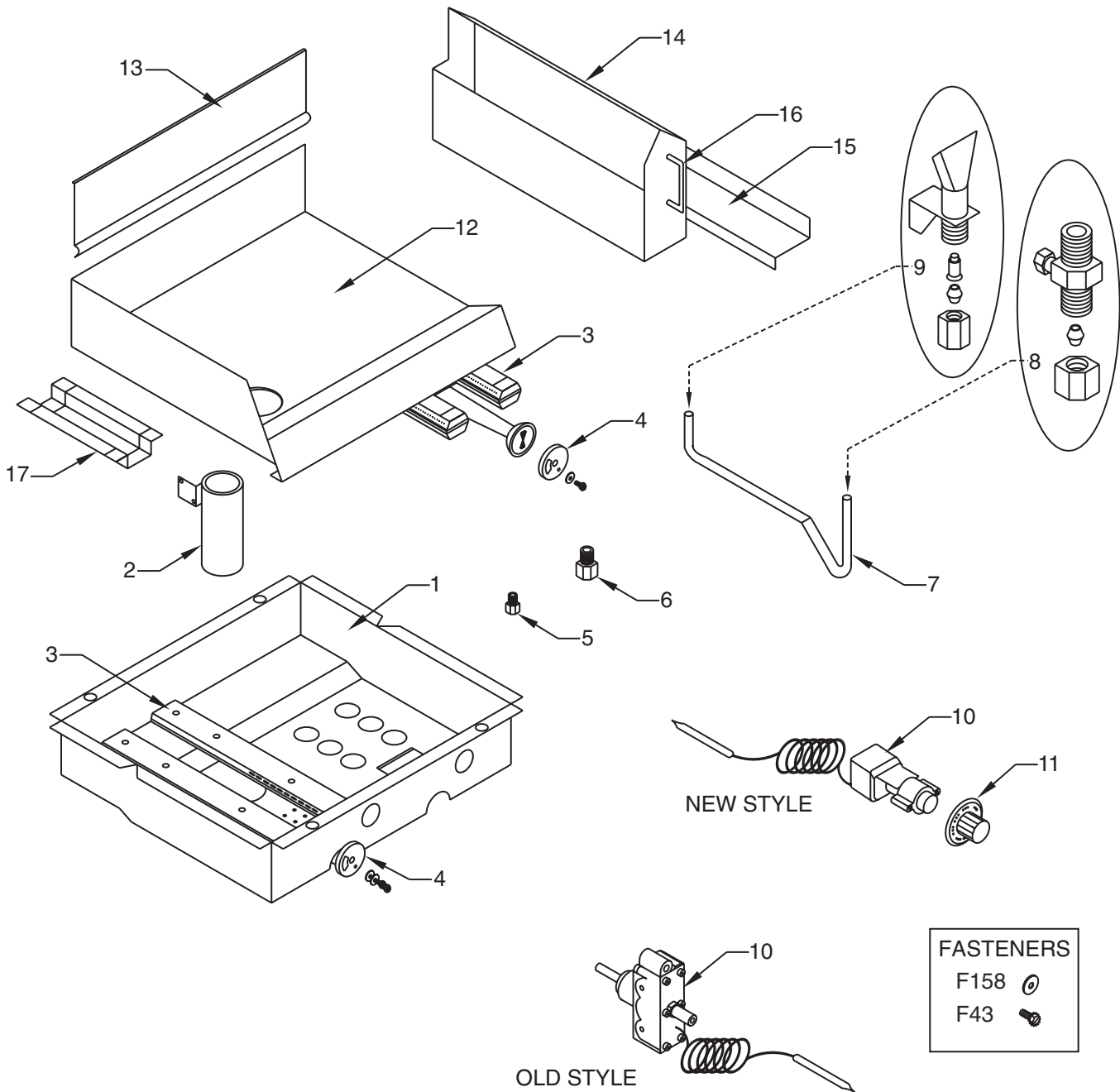
### G280 Series Ranges

#### Valve Controlled Griddle Top

ITEM	PART #	DESCRIPTION	QUANTITY				
			12"	24"	36"	48"	60"
1	1092098	Insert Box 12"	1		1		1
	1092099	Insert Box 24"		1	1	2	2
2	1511899	Grease Drain Tube	1	1			
3	1014900	Griddle Burner	1	2	3	4	5
4	1028002	Air Shutter	1	2	3	4	5
5	1007300	Steel Pipe Plug 1/8"	1	2	3	4	5
6	1086000	1/8" NPT Adapter"	1	2	3	4	5
7	1028308	Alum. Tubing 3/16"x 8 1/2"	1	2	3	4	5
8	1086597	Pilot Adj. Valve Assy	1	2	3	4	5
9	1415301	Burner Pilot Assy LP	1	2	3	4	5
	1028207	Orifice Bell LP .011	1	2	3	4	5
	1415300	Burner Pilot Assy Nat	1	2	3	4	5
	1028206	Orifice Bell LP .018	1	2	3	4	5
	M245	Compression Nut 3/16"	1	2	3	4	5
	M246	Ferrule 3/16"	1	2	3	4	5
10	26878XX	Hi - Lo Valve LP	1	2	3	4	5
	M8-55	Orifice #55 F Drill					
	1086589	Hi - Lo Valve Nat	1	2	3	4	5
	M8-48	Orifice #48 F Drill					
11	G02716-2	Dial	1	2	3	4	5
	G02725-2	Dial Insert	1	2	3	4	5
12	1363993	Griddle Assy 12"	1				
	1363994	Griddle Assy 24"		1			
	1363785	Griddle Assy 24" Right Side Drain		1			
	1363787	Griddle Assy 24" Left Side Drain		1			
	1363798	Griddle Assy 36" Right Side Drain			1		
	1363792	Griddle Assy 36" Left Side Drain			1		
	1363795	Griddle Assy 48" Right Side Drain				1	
	1363791	Griddle Assy 48" Left Side Drain				1	
	1363789	Griddle Assy 60 W/Double Side Drain					1
13	1281999	Front Splash Assy 12"	1				
	1281998	Front Splash Assy 24"		1			
	1281997	Front Splash Assy 36"			1		
	1281996	Front Splash Assy 48"				1	
	1281995	Front Splash Assy 60"					1
14	1391900	Grease Bucket R/H Painted			1	1	1
	1391901	Grease Bucket L/H Painted			1	1	1
	1391902	Grease Bucket R/H S/S			1	1	1
	1391903	Grease Bucket L/H S/S			1	1	1
15	1391801	Grease Bucket Support S/S			1	1	1
	1391800	Grease Bucket Support, Painted			1	1	1
16	1391701	Grease Bucket Handle S/S			1	1	1

\* NOT ILLUSTRATED

#### **RECOMMENDED STOCK PARTS**



Sk5005  
REV. 0  
GPS99-G280 Thermo Ctrl Griddle



## GARLAND PARTS IDENTIFICATION

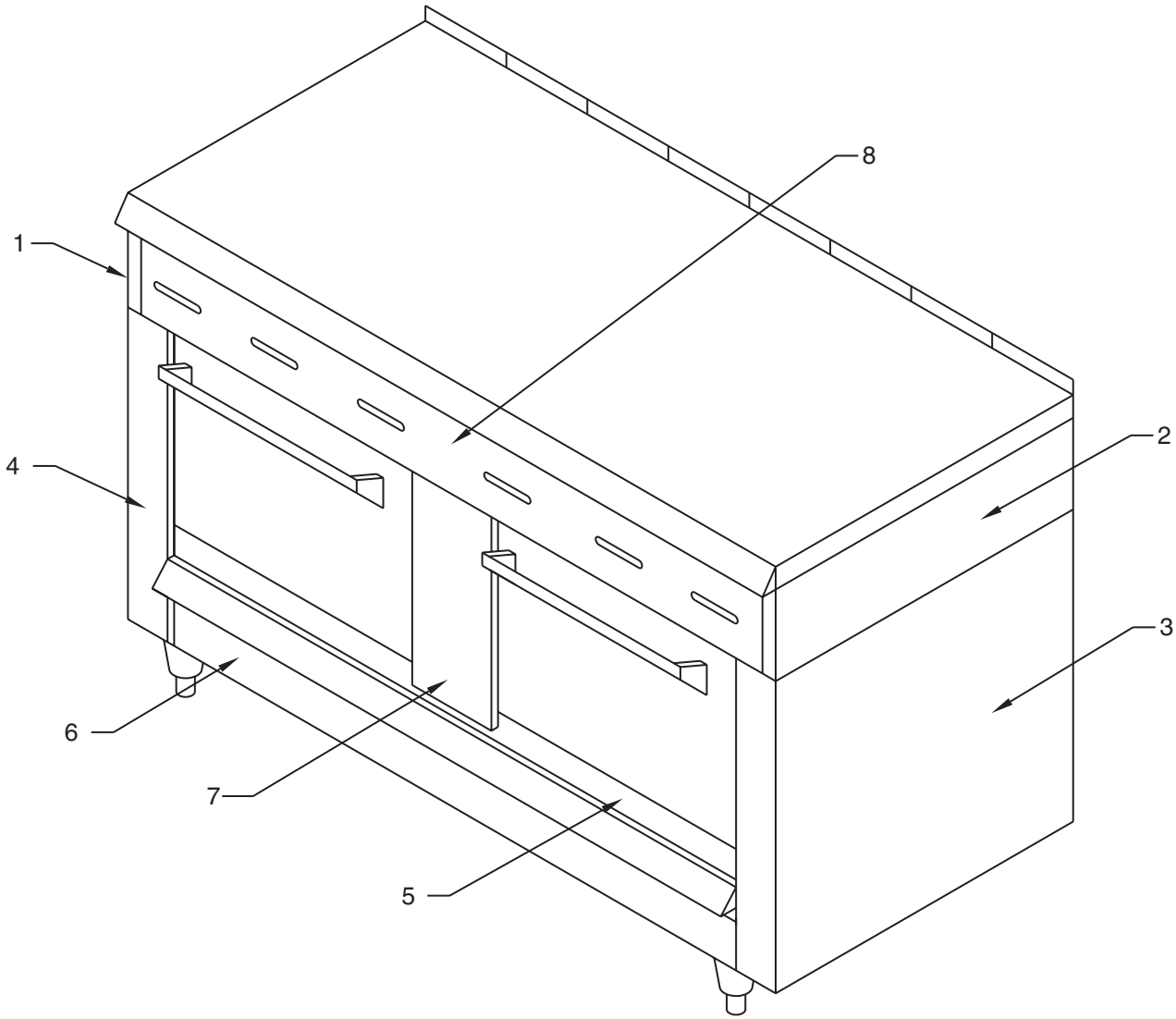
### G280 Series Ranges

#### Thermostatically Controlled Griddle

ITEM	PART #	DESCRIPTION	QUANTITY				
			12"	24"	36"	48"	60"
1	1092098	Insert Box 12"	1			1	1
	1092099	Insert Box 24"		1	1	2	2
2	1511899	Grease Drain Tube	1	1			
3	1014900	Griddle Burner	1	2	3	4	5
4	1028002	Air Shutter	1	2	3	4	5
5	1007300	1/8" Steel Pipe Plug	1	2	3	4	5
6	1086000	1/8" NPT Adapter	1	2	3	4	5
7	1028308	Alum. Tubing 3/16"x8 1/2"	1	2	3	4	5
8	1086597	Pilot Adj. Valve Assy	1	2	3	4	5
9	1415301	Burner Pilot Assy LP	1	2	3	4	5
	1028207	Orifice Bell LP .011	1	2	3	4	5
	1415300	Burner Pilot Assy Nat	1	2	3	4	5
	F810-0126	Orifice Bell LP .018	1	2	3	4	5
10	1360200	BJ T-Stat (after 8/90)	1	2	3	4	5
	1092198	Griddle T-stat Assy UN LP (Used Up To 7/90)	1	2	3	4	5
	M8-55	Orifice #55 F Drill	1	2	3	4	5
	1092199	Griddle T-stat Assy UN Nat (Used Up To 7/90)	1	2	3	4	5
	M8-48	Orifice #48 F Drill	1	2	3	4	5
11	1224504	Dial BJ Type (Used after 8/90)	1	2	3	4	5
	G02716-2	Dial (Used up to 7/90. For UN Therm. Only)	1	2	3	4	5
	G02725-14	Dial Insert (Used up to 7/90. For UN Therm. Only)	1	2	3	4	5
12	1367899	Griddle Assy 12"	1				
	1367898	Griddle Assy 24"		1			
	1367799	Griddle Assy 24" R - Side Drain		1			
	1367798	Griddle Assy 24" L - Side Drain		1			
	1367797	Griddle Assy 36" R - Side Drain			1		
	1367796	Griddle Assy 36" L - Side Drain			1		
	1367795	Griddle Assy 48" R - Side Drain				1	
	1367794	Griddle Assy 48" L - Side Drain				1	
	1367791	Griddle Assy 60" W/Double Side Drain					1
13	1281999	Front Splash Assy 12"	1				
	1281998	Front Splash Assy 24"		1			
	1281997	Front Splash Assy 36"			1		
	1281986	Front Splash Assy 48"				1	
	1281995	Front Splash Assy 60"					1
14	1391900	Grease Bucket Assy R/H Painted			1	1	1
	1391901	Grease Bucket Assy L/H Painted			1	1	1
	1391902	Grease Bucket R/H S/S			1	1	1
	1391903	Grease Bucket L/H S/S			1	1	1
15	1391801	Grease Bucket Support S/S			1	1	1
	1391800	Grease Bucket Support, Painted			1	1	1
16	1391701	Grease Bucket Handle S/S	1	1	1		
17	1473499	Bulb Clamp & Shield	1	2	3	4	5
	1556600	T - Stat Heat Shield 12"	1				
	1556601	T - Stat Heat Shield 24"	1	1	2	2	

\* NOT ILLUSTRATED

#### **RECOMMENDED STOCK PARTS**



## GARLAND PARTS IDENTIFICATION

### G280 Series Ranges

#### Exterior Finish

See Next Page For Stainless Steel Finish

SECTION 7A							
ITEM	PART #	DESCRIPTION	QUANTITY				
			24"	36"	48"	60"	72"
1	1397102	Burner Box Side Lt. - Black	1	1	1	1	1
2	1397100	Burner Box Side Rt. - Black	1	1	1	1	1
	1374300	Burner Box Side Center Lt. - Black			1		1
	1374301	Burner Box Side Center Rt. - Black			1		1
3	1081102	Body Side Rt. Painted	1		1	1	
	1081100	Body Side Rt. Painted		1			1
4	1081106	Body Side Lt. Painted	1		1	1	
	1081101	Body Side Lt. Painted		1			1
5	1374000	Kick Panel Upper - 24" Painted	1				
	1374002	Kick Panel Upper - 36" Painted		1			
	1374004	Kick Panel Upper - 48" Painted			1		
	1374006	Kick Panel Upper - 60" Painted				1	
	1374008	Kick Panel Upper - 72" Painted					1
6	1374100	Kick Panel Lower - 24" Painted	1				
	1374102	Kick Panel Lower - 36" Painted		1			
	1374104	Kick Panel Lower - 48" Painted			1		
	1374106	Kick Panel Lower - 60" Painted				1	
	1374108	Kick Panel Lower - 72" Painted					1
7	1081505	Center Column S/S (Used on Painted & S/S Finish)			1	1	
	1370103	Center Column S/S (Used on Painted & S/S Finish)					1

\* NOT ILLUSTRATED

**RECOMMENDED STOCK PARTS**

## GARLAND PARTS IDENTIFICATION

**G280 Series Ranges**

**Exterior Finish**

**Stainless Steel Finish**

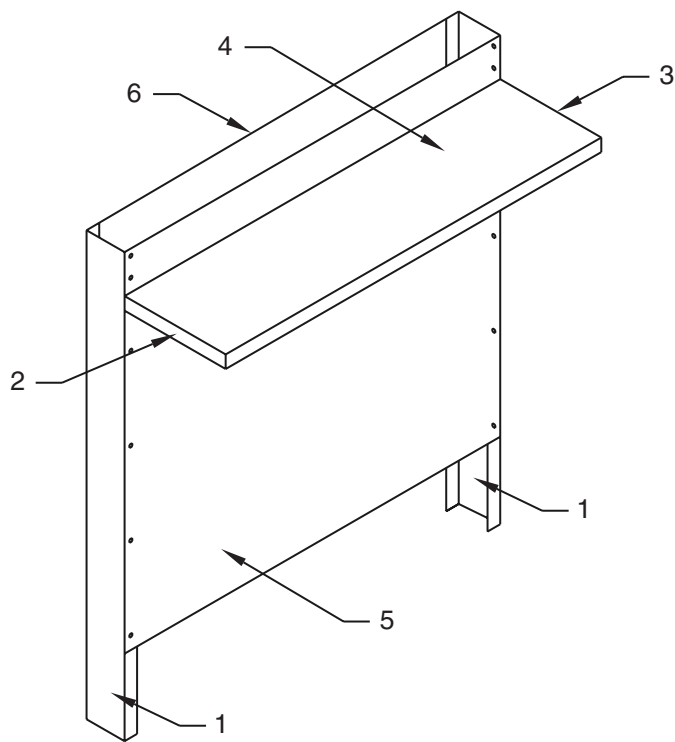
SECTION 7B							
ITEM	PART #	DESCRIPTION	QUANTITY				
			24"	36"	48"	60"	72"
1	1397103	Burner Box Side Lt. S/S	1	1	1	1	1
2	1397101	Burner Box Side Rt. S/S					
3	1081113	Body Side Rt. S/S	1		1	1	
	1081104	Body Side Rt. S/S		1			1
4	1081108	Body Side Lt. S/S	1		1	1	
	1081109	Body Side Lt. S/S		1			1
5	1374001	Kick Panel Upper - 24" S/S	1				
	1374003	Kick Panel Upper - 36" S/S		1			
	1374005	Kick Panel Upper - 48" S/S			1		
	1374007	Kick Panel Upper - 60" S/S				1	
	1374009	Kick Panel Upper - 72" S/S					1
6	1374101	Kick Panel Lower - 24" S/S	1				
	1374103	Kick Panel Lower - 36" S/S		1			
	1374105	Kick Panel Lower - 48" S/S			1		
	1374107	Kick Panel Lower - 60" S/S				1	
	1374109	Kick Panel Lower - 72" S/S					1
8	1370500	Valve Panel (G28)	1-Per Range				
	1296900	Valve Panel (G286)	1-Per Range				
	1373900	Valve Panel (G288)	1-Per Range				
	1370600	Valve Panel (G288S)	1-Per Range				

SECTION 7B							
ITEM	PART #	DESCRIPTION	QUANTITY				
			24"	36"	48"	60"	72"
	1296905	Valve Panel (G284, G287)	1-Per Range				
	1374900	Valve Panel (G283, G283)	1-Per Range				
	1374904	Valve Panel Raised Griddle (G282, G283)	1-Per Range				
	1296904	Valve Panel (G285)	1-Per Range				
	1296908	Valve Panel (G285)	1-Per Range				
	1370800	Valve Panel (G289)	1-Per Range				

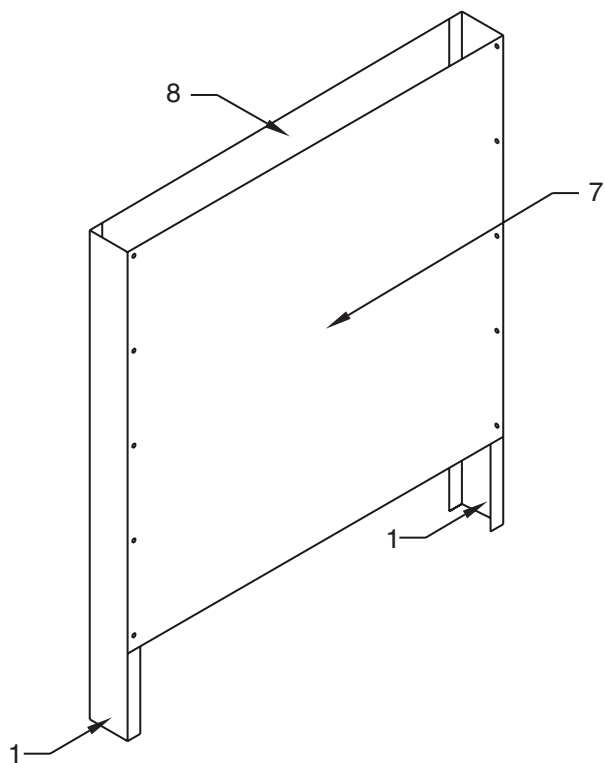
\* NOT ILLUSTRATED

**RECOMMENDED STOCK PARTS**

# ***NOTES***



High Shelf



Backguard

## GARLAND PARTS IDENTIFICATION

### G280 Series Ranges

#### Backguards & Hi Shelf

ITEM	PART #	DESCRIPTION	QUANTITY				
			24"	36"	48"	60"	72"
1	1390100	Upright Rt/Lt Painted	2	2	2	2	2
	1390101	Upright Rt/Lt S/S (Opt)	2	2	2	2	2
2	1364900	Shelf Support Lt. Std	1	1	1	1	1
	1364902	Shelf Support Lt. S/S (Opt)	1	1	1	1	1
3	1364901	Shelf Support Rt. Std	1	1	1	1	1
	1364903	Shelf Support Rt. Std (Opt)	1	1	1	1	1
4	1390200	SDHS Top 24" S/S	1				
	1390201	SDHS Top 36" S/S		1			
	1390202	SDHS Top 48" S/S			1		
	1390203	SDHS Top 60" S/S				1	
	1390204	SDHS Top 72" S/S					1
5	1390300	SDHS Front Panel 24" Painted	1				
	1390301	SDHS Front Panel 24" S/S (Opt)	1				
	1390302	SDHS Front Panel 36" Painted		1			
	1390303	SDHS Front Panel 36" S/S (Opt)		1			
	1390304	SDHS Front Panel 48" Painted			1		
	1390305	SDHS Front Panel 48" S/S (Opt)			1		
	1390308	SDHS Front Panel 60" Painted				1	
	1390309	SDHS Front Panel 60" S/S (Opt)				1	
	1390310	SDHS Front Panel 60" Painted (G283 SDHS Only)				1	
	1390311	SDHS Front Panel 60" S/S (G283 SDHS Only)				1	
	1390312	SDHS Front Panel 60" Painted (G285 SDHS Only)				1	
	1390313	SDHS Front Panel 60" S/S (G285 SDHS Only)				1	
	1390306	SDHS Front Panel 72" Painted					1
1390307	SDHS Front Panel 72" S/S (Opt)					1	
6	1390500	SDHS Back 24"	1				
	1390502	SDHS Back 36"		1			
	1390504	SDHS Back 48"			1		
	1390508	SDHS Back 60"				1	
	1390510	SDHS Back 72"					1
7	1390400	BG Front Panel 24" Painted	1				
	1390401	BG Front Panel 24" S/S (Opt)	1				
	1390402	BG Front Panel 36" Painted		1			
	1390403	BG Front Panel 36" S/S (Opt)		1			
	1390404	BG Front Panel 48" Painted			1		
	1390405	BG Front Panel 48" S/S (Opt)			1		
	1390408	BG Front Panel 60" Painted				1	
	1390409	BG Front Panel 60" S/S (Opt)				1	
	1390410	BG Front Panel 60" Painted (283 BG Only)				1	
	1390411	BG Front Panel 60" S/S (283 BG Only)				1	
	1390412	BG Front Panel 60" Painted (285 BG Only)				1	
	1390413	BG Front Panel 60" S/S (285 BG Only)				1	
	1390406	BG Front Panel 72" Painted					1
1390407	BG Front Panel 72" S/S (Opt)					1	
8	1390600	BG Back 24"	1				
	1390602	BG Back 36"		1			
	1390604	BG Back 48"			1		
	1390608	BG Back 60"				1	
	1390610	BG Back 72"					1

\* NOT ILLUSTRATED

**RECOMMENDED STOCK PARTS**

# GARLAND PARTS IDENTIFICATION

## Revision History

REV. #	PAGE #	ITEM #	NOTE	DATE
1	8	14	New Item Added to Drawing	Jun 07/04



# ***NOTES***

# ***NOTES***

# ***NOTES***

 **GARLAND**<sup>®</sup>