

A horizontal bar with a gradient from black on the left to white on the right, containing the text 'PARTS LIST' in a large, bold, white, sans-serif font with a slight drop shadow.

PARTS LIST

Toll Free Phone, (US & Canada): (800) 427-6668

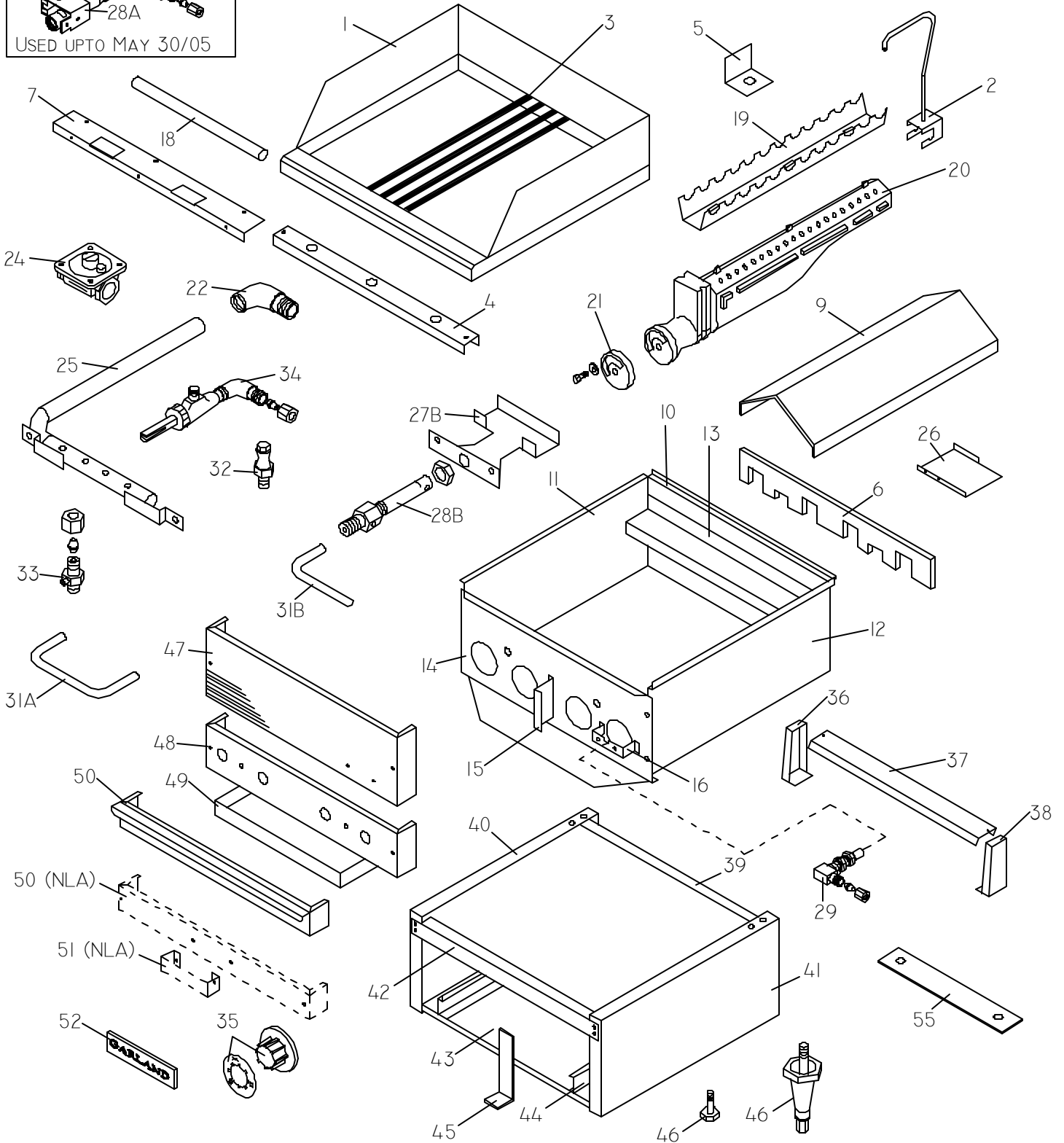
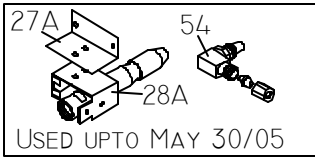
Toll Free Fax, (US & Canada): (800) 361-7745

<http://www.garland-group.com>



G80 SERIES GAS CHAR-BROILER

DESCRIPTION	PAGE
GAS CHAR-BROILER MODEL G80 (-18B, -24B, -30B, -36B, -48B)	4
DIGITAL PHOTOS	8
REVISION HISTORY	9



GARLAND PARTS IDENTIFICATION
GAS CHAR-BROILER MODEL G80 (-18B, -24B, -30B, -36B, -48B)

ITEM	PART #	DESCRIPTION	MODEL					UP TO DATE	FROM DATE
			QTY						
			18B	24B	30B	36B	48B		
1	2253595	Main Top Assembly	1						
	G02619-024-8	Main Top Assembly		1					
	G02619-030-8	Main Top Assembly			1				
	G02619-036-8	Main Top Assembly				1			
	G02619-024-81	Main Top Assembly R/H					1		
	G02619-024-82	Main Top Assembly L/H					1		
2	G02685-01-8	Rack Lifter Assembly	1	1	1	1	1		
3A	G02647-01-5	Broiler Rack Assembly (NLA) Use 4519965	3	4	5	6	8	22-Jun-05	
3B^	4519965	Broiler Rack Assembly							22-Jun-05
3C	G03484-01-5	Broiler Rack Assembly Diamond - (Optional)							
4	G02638-5-6	Burner Rest	1						
	G02638-1-6	Burner Rest		1			2		
	G02638-3-6	Burner Rest			1				
	G02638-2-6	Burner Rest				1			
5	G02639-1-6	Burner Support Bracket	2	2	2	2	4		
6	2533600	Burner Shield	1						
	G02641-1-6	Burner Shield		1					
	G02643-1-6	Burner Shield			1				
	G02642-1-6	Burner Shield				1			
7	G02644-4-6	Radiation Shield Supt.	1						
	G02644-1-6	Centre Radiation Shield Supp't		1			2		
	G02645-1-6	Centre Radiation Shield Supp't			1				
	G02644-2-6	Centre Radiation Shield Supp't				1			
9	G02637-01-6	Centre Radiation Shield Assembly	2	3	4	5	6		
10	2286100	Back Liner F/G80-18B	1						
	G02621-1-6	Back Liner		1			2		
	G02621-3-6	Back Liner			1				
	G02621-2-6	Back Liner				1			
11	G02622-4-62	Side Liner LH	1						
	G02622-1-62	Side Liner LH		1			2		
	G02622-3-62	Side Liner LH			1				
	G02622-2-62	Side Liner LH				1			
12	G02622-4-61	Side Liner RH	1						
	G02622-1-61	Side Liner RH		1			2		
	G02622-3-61	Side Liner RH			1				
	G02622-2-61	Side Liner RH				1			
13	G02623-18-6	Back Spacer	1						
	G02623-24-6	Back Spacer		1			2		
	G02623-30-6	Back Spacer			1				
	G02623-36-6	Back Spacer				1			
14	2286000	Front Liner F/G80-18B	1					30-May-05	
	4519953	Front Liner G80-18B							30-May-05
	G02620-1-6	Front Liner			1			2	30-May-05
	4519954	Front Liner G80-24B							30-May-05
	G02620-3-6	Front Liner				1			30-May-05
	4519955	Front Liner G80-30B							30-May-05
	G02620-2-6	Front Liner					1		30-May-05
	4519956	Front Liner G80-36B						30-May-05	
15	G02651-1-6	Front Panel Support Bracket	1	1	1	2	2		
16	G02640-1-6	Orifice Support	3	4	5	6	8		
17*	2088000	Pre-Cartoned Briquettes 17 LB	1	1			2		
	2088001	Pre-Cartoned Briquettes 25 LB			1	1			

* NOT ILLUSTRATED

^ PHOTO AT THE END

RECOMMENDED STOCK ITEMS

GARLAND PARTS IDENTIFICATION
GAS CHAR-BROILER MODEL G80 (-18B, -24B, -30B, -36B, -48B)

ITEM	PART #	DESCRIPTION	MODEL					UP TO DATE	FROM DATE
			QTY						
			18B	24B	30B	36B	48B		
18	G0398-2	Porcelain Rod - 8"		36	36	36	72	31-Dec-89	
	G0398-3	Porcelain Rod - 5-3/16"		18	36	54	36	31-Dec-89	
	G03866-5-5	Steel Rod 15.00"	18						2-Jan-90
	G03866-1-5	Steel Rod 21.00"		18			36		2-Jan-90
	G03866-2-5	Steel Rod 27.00"			18				2-Jan-90
	G03866-3-5	Steel Rod 33.00"				18			2-Jan-90
19	G02646-1-9	Steel Rod Support	3	4	5	6	8		
20	1090500	Griddle Burner	3	4	5	6	8		
21	1028002	Air Shutter	3	4	5	6			
22	G01475-2	Elbow Street 3/4"NPT 90Deg	1	1	1	1			
24	2127503	Regulator Natural	1	1	1	1	1		
	2127500	Gas Regulator Propane 10"	1	1	1	1	1		
25	2252999	Manifold Assembly	1						
	G02652-01	Supply Manifold Assembly		1			2		
	G02624-01	Supply Manifold Assembly			1				
	G02653-01	Supply Manifold Assembly				1			
26	G02648-1-6	Pilot Drip Shield	2	2	3	3	4		
27A	G02649-1-6	Pilot Bracket	2	2	3	3	4	30-May-05	
27B^	4520361	Pilot Shield / Bracket							30-May-05
28A	G01267-5	Pilot Burner	2	2	3	3	4	30-May-05	
28B^	3093000	Pilot							30-May-05
29	G02486-51F	Orifice Fitting Natural	3	4	5	6	8		
	G02486-56F	Orifice Fitting #56	3	4	5	6	8		
30*	G01494-18	1/4 Alum Tubing X 5.50	4	4	5	6	8		
31A	G01494-19	1/4 Alum Tubing X 8.750	2	2	3	3	4		
31B	4519950	Pilot Tubing							30-May-05
32	G02251-1	Pressure Test Spigot	1	1	1	1	1		
33A	G6809	Gum Valve 1/4	2	2	3	3	4	30-May-05	
33B	1086199	Gum Valve 1/8							30-May-05
34	G02599-01	Valve HI-LO C/W 90 Deg. Elbow	3	4	5	6	8		
35	G02716-2	Dial - (Universal)Medium Shaft	3	4	5	6	8		
	G02725-2	Dial Insert (OFF/MAX/MIN)	3	4	5	6	8		
36	G2595-1-92	Backguard Bracket L/H	1	1	1	1	1		
37	G02636-18-9	Backguard Front	1						
	G02636-24-9	Backguard Front		1					
	G02636-30-9	Backguard Front			1				
	G02636-36-9	Backguard Front				1			
	G02636-48-9	Backguard Front					1		
38	G2595-1-91	Backguard Bracket R/H							
39	2253400	Main Back 18"	1						
	2031500	Main Back		1					
	2031501	Main Back			1				
	2031502	Main Back				1			
40	G02613-01-82	Body Side Assembly L/H	1	1	1	1	1		
	G02613-01-92	Body Side Assembly L/H	1	1	1	1	1		
41	G02613-01-81	Body Side Assembly R/H	1	1	1	1	1		
	G02613-01-91	Body Side Assembly R/H	1	1	1	1	1		
42	G02627-2-6	Front Liner Support	1						
	G02625-1-6	Front Liner Support		1			2		
	G02627-1-6	Front Liner Support			1				
	G02626-1-6	Front Liner Support				1			

* NOT ILLUSTRATED

^ PHOTO AT THE END

RECOMMENDED STOCK ITEMS

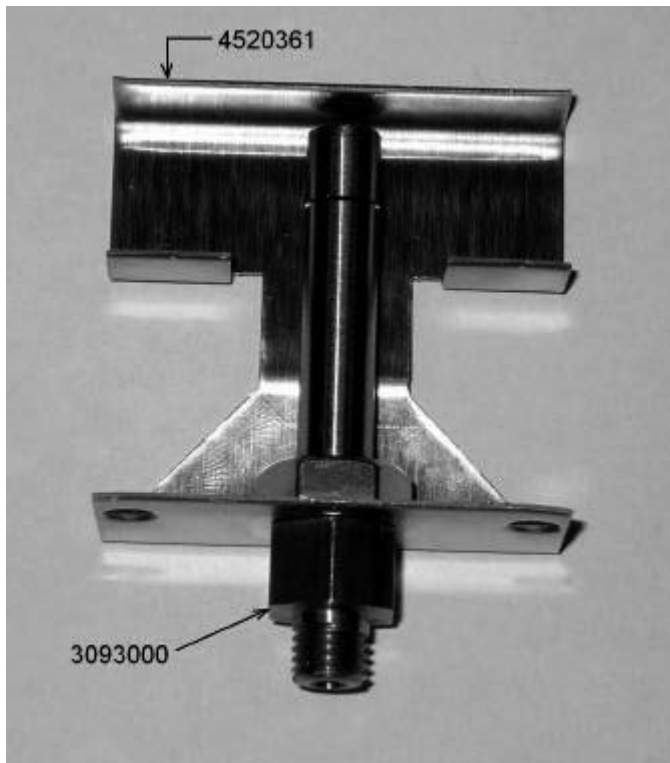
GARLAND PARTS IDENTIFICATION
GAS CHAR-BROILER MODEL G80 (-18B, -24B, -30B, -36B, -48B)

ITEM	PART #	DESCRIPTION	MODEL					UP TO DATE	FROM DATE
			QTY						
			18B	24B	30B	36B	48B		
43	G02615-18-7	Main Bottom 18"	1						
	G02615-24-7	Main Bottom 24"		1			2		
	G02615-30-7	Main Bottom 30"			1				
	G02615-36-7	Main Bottom 36"				1			
44	G02635-1-7	Drip Tray Slide	2	2	4	4	4		
45	G02674-1-6	Main Bottom Support Bracket			1	1			
46	F157	Bolt-3/8-16X1 1/16"	4	4	4	4	8		
	078109-2	4" Adjustable Metal Leg	4	4	4	4	8		
47	G02628-48-9	Upper Front Panel					1		
	G02628-18-9	Upper Front Panel	1						
	G02628-24-9	Upper Front Panel		1					
	G02628-30-9	Upper Front Panel			1				
	G02628-36-9	Upper Front Panel				1			
48	2253200	Valve Panel	1						
	G02629-24-9	Valve Panel		1					
	G02629-30-9	Valve Panel			1				
	G02629-36-9	Valve Panel				1			
	G02629-48-9	Valve Panel					1		
49	G02633-2-8	Drip Tray 15.25"	1		1	2			
	G02633-1-8	Drip Tray 18"		1			2		
	G02633-3-8	Drip Tray 10"			1				
50	G02632-2-9	Drip Tray Front (NLA) Use 2489503	1		1	2			
	2489503	Grease Drawer Front 18"							
	G02632-1-9	Drip Tray Front (NLA) Use 2489500			1		2		
	2489500	Grease Drawer Front 24"							
	G02632-3-9	Drip Tray Front (NLA) Use 2489501				1			
2489501	Grease Drawer Front 12"								
51	G02719-1-9	Grease Tray Handle (NLA) Replaced by Item # 50	1	1	1	1	2		
52	1902919	Garland Nameplate 4"	1	1	1	1	1		
53*	G02706-1	Porcelain Support Wire	3	4	5	6	8		
54	G01267-2	Pilot Orifice FITT. NAT.	2	2	3	3	4	30-May-05	
	G01267-3	Pilot Orifice Fitt. L.P. #12Z.							
	G012674	Pilot Orifice Fitting (Manufactured Gas Export)							
55	2285998	Leg Channel Assembly 18"	2						
	2285997	Leg Channel Assembly 24"					4		
	2285997	Leg Channel Assembly 24"		2					
	2285996	Leg Channel Assembly 30"			2				
	2285995	Leg Channel Assembly 36"				2			
56*	G02704-018-9	Spatterguard Assembly	OPTIONAL						
	G02705-18-9	Backguard Front							
	G01035-018-8	Spatterguard Shelf							
57*	G02704-024-9	Spatter Guard Assembly	OPTIONAL						
	G02705-24-9	Backguard Front							
	G01035-024-8	Spatter Guard Shelf							
58*	G02704-030-9	Spatter Guard Shelf	OPTIONAL						
	G02705-30-9	Backguard Front							
59*	G02704-036-9	Spatter Guard Assembly	OPTIONAL						
	G02705-36-9	Backguard Front							
	G01035-036-8	Spatter Guard Shelf							
60*	G02704-048-9	Spatter Guard Assembly	OPTIONAL						
	G02705-48-9	Backguard Front							

* NOT ILLUSTRATED
RECOMMENDED STOCK ITEMS



4519965 Cast Iron Broiler Rack



3093000 = PILOT
4520361 = PILOT SHIELD / BRACKET

- Used from 30-May-05
- First Manufactured:
Serial: 0505100122841
Model: G80-18B-0012

GARLAND PARTS IDENTIFICATION

Revision History

REV. #	PAGE #	ITEM #	NOTE	DATE
2	4		Item 25 was 27 (error)	Jan 20/04
3	4,7	55	New part number added	May 11/05
4	4		New drawing	July 5/05
	5	3A	Part number obsoleted - Upto June 22/05	
		3B	New part number added - Photo at the end	
		14	New part numbers added - Upto & From dates added	
	6	27A	Part number used Upto May 30/05	
		27B	New part number added - Photo at the end	
		28A	Part number used Upto May 30/05	
		28B	New part number added - Photo at the end	
		31B	New part number added	
		33B		
	33A	Part number used Upto May 30/05		
7	54	Part number used Upto May 30/05		

NOTES

 **GARLAND**[®]