



INSTALLATION AND OPERATION MANUAL

GARLAND GD SERIES GAS COUNTER UNITS



FOR YOUR SAFETY:
DO NOT STORE OR USE GASOLINE
OR OTHER FLAMMABLE VAPORS OR
LIQUIDS IN THE VICINITY OF
THIS OR ANY OTHER
APPLIANCE

WARNING:
IMPROPER INSTALLATION, ADJUSTMENT,
ALTERATION, SERVICE OR MAINTENANCE
CAN CAUSE PROPERTY DAMAGE, INJURY,
OR DEATH. READ THE INSTALLATION,
OPERATING AND MAINTENANCE
INSTRUCTIONS THOROUGHLY
BEFORE INSTALLING OR
SERVICING THIS EQUIPMENT

PLEASE READ ALL SECTIONS OF THIS MANUAL
AND RETAIN FOR FUTURE REFERENCE.

THIS PRODUCT HAS BEEN CERTIFIED AS
COMMERCIAL COOKING EQUIPMENT AND
MUST BE INSTALLED BY PROFESSIONAL
PERSONNEL AS SPECIFIED.

IN THE COMMONWEALTH OF MASSACHUSETTS
THIS PRODUCT MUST BE INSTALLED BY A
LICENSED PLUMBER OR GAS FITTER. APPROVAL
NUMBER: G-1-07-05-28

For Your Safety:

Post in a prominent location, instructions to be
followed in the event the user smells gas. This
information shall be obtained by consulting
your local gas supplier.

Users are cautioned that maintenance and repairs must be performed by a Garland authorized service agent using genuine Garland replacement parts. Garland will have no obligation with respect to any product that has been improperly installed, adjusted, operated or not maintained in accordance with national and local codes or installation instructions provided with the product, or any product that has its serial number defaced, obliterated or removed, or which has been modified or repaired using unauthorized parts or by unauthorized service agents.

For a list of authorized service agents, please refer to the Garland web site at <http://www.garland-group.com>.

The information contained herein, (including design and parts specifications), may be superseded and is subject to change without notice.

GARLAND COMMERCIAL INDUSTRIES
185 East South Street
Freeland, Pennsylvania 18224
Phone: (570) 636-1000
Fax: (570) 636-3903

GARLAND COMMERCIAL RANGES, LTD.
1177 Kamato Road, Mississauga, Ontario L4W 1X4
CANADA
Phone: 905-624-0260
Fax: 905-624-5669

Enodis UK LTD.
Swallowfield Way, Hayes, Middlesex UB3 1DQ ENGLAND
Telephone: 081-561-0433
Fax: 081-848-0041

IMPORTANT INFORMATION

WARNING:

This product contains chemicals known to the state of california to cause cancer and/or birth defects or other reproductive harm. Installation and servicing of this product could expose you to airborne particles of glass wool/ceramic fibers. Inhalation of airborne particles of glass wool/ceramic fibers is known to the state of california to cause cancer. Operation of this product could expose you to carbon monoxide if not adjusted properly. Inhalation of carbon monoxide is known to the state of california to cause birth defects or other reproductive harm.

Keep appliance area free and clear of combustibles.

TABLE OF CONTENTS

IMPORTANT INFORMATION	2
SPECIFICATIONS	4
PRE INSTALLATION	4
Damage Check	4
Rating Plate	4
INSTALLATION	5
General	5
Clearances	5
Gas Connections	6
Leg Installation	6
Installation of Banking Plates	6
Installation of Non-Combustible Counter Stands (Optional)	7
Ventilation	7
ADJUSTMENTS	8
Burner Adjustments – All Units	8
Hot Plates	8
Pilot Burner Adjustment	8
Burner Operation	8
Fryers	8
Before Operating the Fryer	8
Pilot Burner Adjustment	8
To Operate Main Burner	8
Shutdown Instructions	9
Calibration Instructions	9
Griddles	9
Lighting Instructions And Pilot Burner Adjustment	9
Burner Operation	9
Hi-Lo Valve Adjustment	9
Calibration Instructions	9
Broilers	10
Pilot Burner Adjustment	10
Burner Operation	10
HI-LO Valve Adjustment	10
Flame Size	10
Flame Size Chart	10
OPERATION FOR “FF” MODELS	11
Open Type Hot Plate	11
Broilers	11
Griddles	11
OPERATION ALL MODLES	12
Lighting Standing Pilots - All Models	12
MAINTENANCE INSTRUCTIONS	12
Cleaning Instructions	12
PARTS AND SERVICE	13

SPECIFICATIONS

MODEL NUMBER	MANIFOLD INLET SIZE	OPERATING PRESSURE "WC		INPUT BTU/H
		NATURAL	PROPANE	
GD-152H(J)(FF), GD-302H(J)(FF), GD-304H(J)(FF)	3/4"	4.0	10.0	14,800
GD-15F(J)	1/2"	4.2	9.0	45,000
GD-15G(J)(FF), GD-15GTH(J), GD-24G(J)(FF), GD-24GTH(J), GD-36G(J)(FF), GD-36GTH(J)	3/4"	4.0	10.0	20,000
GD-18RB(J)(FF), GD-24RB(J)(FF), GD-30RB(J)(FF), GD-36RB(J)(FF)	3/4"	4.0	10.0	15,000

PRE INSTALLATION

Damage Check

Damage check: Check carton or crate for possible damage incurred in shipping. After carefully uncrating, check for "concealed" damage. Report any damage immediately to your carrier.

Rating Plate

All burner input ratings are shown on the serial, rating plate of each unit and are readily visible by opening the enameled door located below the control panel.

The correct type of gas for which the unit was manufactured is noted on the rating plate, and this type of gas must be used.

When corresponding with the factory or your local authorized factory service center regarding service problems or replacement parts, be sure to refer to the particular unit by the correct model number (including the prefix and suffix letters and numbers) and the warranty serial number. The rating plate affixed to the unit contains this information.

We suggest installation, maintenance and repairs should be performed by your local authorized service agency listed in your information manual pamphlet.

In the event you have any questions concerning the installation, use, care or service of the product, write or call our Product Service Department.

This product must be installed by professional personnel as specified. Garland/U.S. Range products are not approved or authorized for home or residential use, but are intended for commercial applications only. Garland / U.S. Range will not provide service, warranty, maintenance or support of any kind other than in commercial applications.

INSTALLATION

General

- Carefully remove unit from carton or crate. Burner tie wires and other packing material should be removed from units. On stainless steel units, the protective material covering the stainless steel should be removed immediately after the unit is installed.
- Remove top grates and place in a safe area to prevent damage.
- Should it be necessary to remove the steel griddle plate on units equipped with griddle thermostats, the griddle thermostat bulb and capillary must first be withdrawn from the bulb shield assembly, located on the underside of the griddle plate. This can be accomplished with the griddle front raised and supported by the griddle prop located on the underside of the griddle plate. Loosen the four pal nuts securing the bulb shield assembly to the griddle plate and withdraw the griddle thermostat bulb.
- When a griddle plate is being installed on units equipped with griddle thermostats, the thermostat bulb must be inserted in the groove between the plate and the bulb shield assembly. This can be accomplished with the griddle front raised and supported by the griddle prop, located on the underside of the griddle plate. It is important for accurate temperature control that the bulb be located inside the groove. Tighten the four pal nuts securing the bulb shield assembly to the griddle plate.
- These units must be installed under an adequate ventilation system. Refer to section titled Ventilation for further instructions.
- All burner adjustments and setting shall be made by a qualified gas technician.

Clearances

MINIMUM INSTALLATION CLEARANCES TO ADJACENT COMBUSTIBLE/NON-COMBUSTABLE WALLS OR BASE			
Model #	Sides & Back		Floor Or Base
	Combustible	Non Combustible	
GD-152H(J)(FF), GD-302H(J)(FF), GD-304H(J)(FF)	6" (152mm)	0"	Combustible
GD-15F(J)	6" (152mm)	0"	Non Combustible
GD-15G(J)(FF), GD-25G(J)(FF), GD-36G(J)(FF), GD-15GTH(J), GD-24GTH(J), GD-36GTH(J)	6" (152mm)	0"	Combustible
FOR INSTALLATION IN NON COMBUSTIBLE LOCATIONS ONLY			
GD-18RB(J)(FF), GD-24RB(J)(FF), GD-30RB(J)(FF), GD-36RB(J)(FF)	N/A	0"	Non Combustible

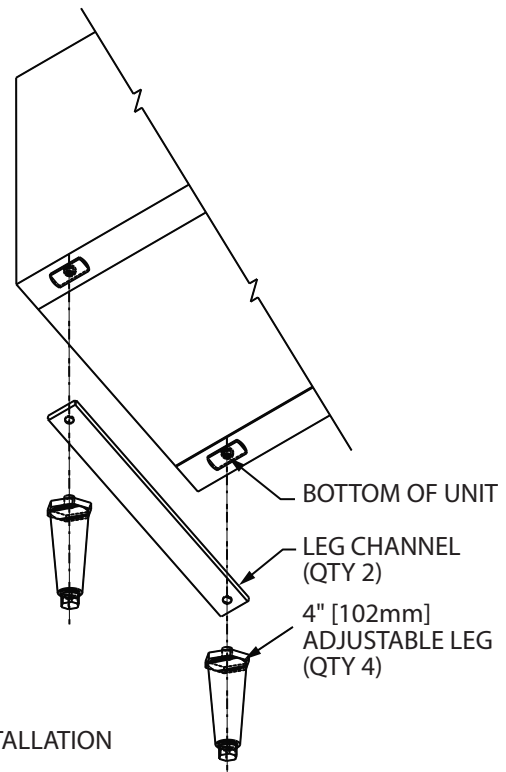
INSTALLATION Continued

Gas Connections

1. The installation and connection must comply with local codes, or in the absence of local codes, with CAN/CGA-B149 Installation Code or with the national Fuel Gas Code, ANSI Z223.1/NFPA No. 54 – Latest Edition.
2. The correct type of gas for which the unit was manufactured is noted on the rating plate, and this type of gas must be used.
3. The gas pressure must be checked when the unit is installed, to ensure that the unit gas pressure is the same as specified on the rating plate. If necessary, pressure adjustments can be made at the pressure regulator, supplied on each unit.
4. Have a qualified gas technician check the gas pressure to make certain that existing gas facilities (meter, piping, etc.) will deliver the BTU's of gas required at the unit with no more than 1/2" water column pressure drop. When checking pressure, be certain that all the equipment on same gas line is turned to the "ON" position.
5. The appliance and its individual shut off valve must be disconnected from the gas supply piping system during any pressure testing of that system at test pressures in excess of 1/2 PSIG. (3.45 KPA).
6. The appliance must be isolated from the gas supply piping system by closing its individual manual shut off valve during any pressure testing of the gas supply piping system at test pressures equal to or less than 1/2 PSIG. (3.45 KPA).
7. Make certain that the new piping, joints and connections have been made in a clean manner and have been purged, so that the piping compound, chips, etc., will not clog pilots, valves and/or controls. Use pipe joint sealant that is certified for use with liquefied petroleum gas.
8. **WARNING:** Check gas connections for leaks, using soap solution or similar means. Do Not Check with an Open Flame.

Leg Installation

The leg channel is located on the package base. This channel must be installed when using the legs.



Installation of Banking Plates

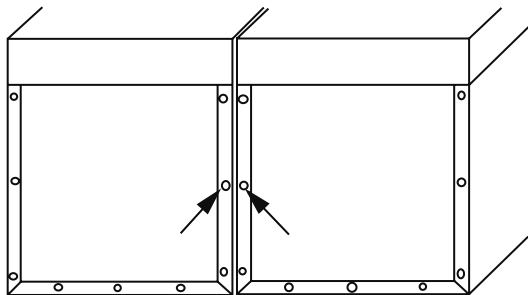
All units may be installed independently or banked with other GD or ED Series equipment. To ensure a matching and permanent fit between units, two banking plates are available for each unit to be installed. One at the front and one at the rear of each two units being banked together.

1. Level each unit by adjustment of leveling bolts or legs. Use a spirit level and level unit four ways; across front and back and down left and right edges. Level all other units to the first unit.

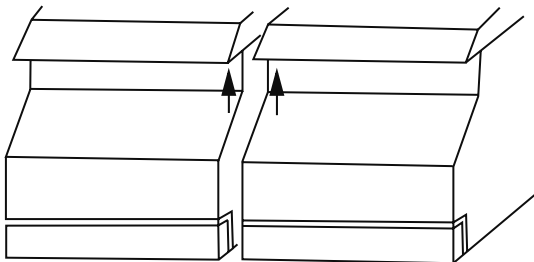
INSTALLATION Continued

Note: Griddles may not rest evenly on the unit body if units are not leveled.

2. Remove sheet metal screws at rear of unit.
3. Attach one banking plate in position at rear by placing the 1/4" (6 mm) diameter holes in the banking plate over the screw holes in the rear of units and fasten by replacing the sheet metal screws removed in Step 2.
4. Push units into position on counter top or back bar.
5. Remove the two acorn nuts from the sides being banked (one for each control panel). Place banking plate over the two protruding screw heads, replace acorn nuts and tighten.



REAR VIEW



FRONT VIEW

Installation of Non-Combustible Counter Stands (Optional)

1. Assemble and level counter stand as illustrated in the instructions found in the counter stand carton.
2. Remove and discard leveling bolts on unit to be installed on a non-combustible counter stand.
3. Place units in desired position on counter stand, securing the first unit with 8-32 machine screws and flat washers. Insert 8-32 machine screws through the 7/32" (5 mm) diameter holes in stand into the nutserts in the bottom of GD Series units.
4. Connect banking plates as described in section titled. Installation of Banking Plates.
5. Secure last unit to counter stand with 8-32 machine screws and flat washers. Insert 8-32 machine screws through the 7/32" (5 mm) diameter holes in stand into nutserts in the bottom of GD Series units

Ventilation

Counter equipment must be installed in a location in which the facilities for ventilation permit satisfactory combustion of gas and proper venting. Proper ventilation is imperative for good operation of the appliance. The ideal method of ventilating counter equipment is the use of a properly designed ventilating canopy, which should extend at least 6"/152mm beyond all sides of the appliance (except against the wall if the canopy is a wall installation). This is usually part of a mechanical exhaust system.

Air Supply

1. It is necessary that sufficient room air ingress be allowed to compensate for the amount of air removed by any ventilating system. Otherwise, a subnormal atmospheric pressure will occur, affecting the appliance operation adversely and causing undesirable working conditions.
2. Appliances shall be located so as not to interfere with proper circulation of air within the confined space. All gas burners and pilots require sufficient air to operate.
3. Large objects should not be placed in front of the appliance which might obstruct the air flow through the front. Do not obstruct the flow of combustion and ventilation air.
4. Do not permit fans to blow directly at the appliance, and wherever possible, avoid open windows adjacent to the appliance sides and back; also wall type fans which create air cross-currents within the room.

ADJUSTMENTS

Burner Adjustments – All Units

1. Before making any adjustment, turn all gas valves to “OFF”. Remove the burner tie wires, if not already removed. Be sure all piping is gas tight and that air is purged from lines.
2. All units are shipped from factory at burner ratings set for the gas specified on the rating plate at normal gas pressure. The only adjustment necessary is for that governing air.

Air Adjustment: If necessary, the air is adjusted by rotating the air shutter on burner. The burner must have enough air that the tips of the flames are not yellow, but not so much air that the flames will lift off the burner ports. Securely tighten air shutter screw so air shutter cannot be moved.

Hot Plates

IMPORTANT: The flue must be installed prior to start-up.

Pilot Burner Adjustment

Each burner in the hot plate is equipped with a pilot. The burner pilot is ignited by the piezo ignitor located behind the front door.

The pilot has been adjusted at the factory; however, it may require adjustments once installed. The pilot adjusting valve is located under each burner valve.

Open the bottom door and use a long thin straight blade screwdriver to adjust the valve. Refer to Flame Size Chart.

Burner Operation

The burner will light automatically from the pilot. Turn the valve to the full “ON” position. Once the flame has ignited, adjust the valve to the desired setting.

Fryers

Before Operating the Fryer

1. Before leaving the factory, the fryer was tested and the thermostat calibrated with oil in the fry tank; therefore, it is necessary to clean the fry tank before filling with frying compound. Use detergent or other cleaning agents, with hot water. Thoroughly rinse and dry fry tank.
2. BEFORE LIGHTING THE PILOT, fill the fry tank. NEVER OPERATE THE PILOT OR BURNER WITH AN EMPTY FRY TANK. It only takes a few minutes to completely ruin a fry tank and void the warranty.
3. WARNING: When fryers are in use, fryer restraint chains/cables must be installed in order to prevent the fryer from tipping and splashing hot liquid. Hot shortening causes severe burns. Never attempt to move a fryer when the frypot is full. Drain frypot completely before moving fryer.

Pilot Burner Adjustment

1. Turn thermostat knob to lowest position.
2. Depress and turn automatic gas valve knob to “OFF” position. Caution: Wait 5 minutes before lighting or relighting pilot.
3. Turn automatic gas valve knob to “Pilot” position.
4. Push knob in, light pilot, and continue to hold knob in for about 60 seconds after pilot light is lit.
5. Adjust pilot flame to 3/4” (19 mm).
6. If pilot does not continue to burn after releasing button, repeat above procedure or...
7. Have a qualified Serviceman check the system. DO NOT ALLOW ANYONE ELSE TO ATTEMPT REPAIRS.

To Operate Main Burner

1. If liquid frying compound is used, the main burner may be turned on.
2. To ignite burner, turn automatic gas valve counterclockwise to the “ON” position.
3. If a Hydrogenated (SOLID) frying compound is used, pack the tank with compound and turn the main burner on for approximately five seconds and turn it off for approximately ten seconds. Repeat until compound is melted. If any smoke is seen during the process, the heating action is being carried out too fast and the frying compound is being scorched as well as possibly damaging the fry tank.

ADJUSTMENTS Continued

Shutdown Instructions

To shut down fryer for a short period, turn automatic gas valve knob to the "PILOT" position.

For complete shutdown, turn automatic gas valve knob clockwise to "PILOT" position, depress the knob, turn slightly clockwise, release, and continue to turn clockwise to "OFF".

Calibration Instructions

1. Field calibration is seldom necessary and should not be attempted unless experience with cooking results definitely proves that the control is not maintaining the temperature to which the dial is set.
2. Suspend thermometer or thermocouple in the middle of the fry tank, approximately 2" (51 mm) below the shortening level.
3. Allow burner to cycle at least four times.
4. When the burner just cycles off after the fourth cycle, compare reading of the thermometer or thermocouple with thermostat setting.
5. If the two do not agree, $\pm 10^{\circ}\text{F}$ (5°C), loosen the two set screws on the thermostat knob.
6. Set the pointer at the temperature indicated by the thermometer.
7. Tighten the set screw firmly.
8. Ensure the back surface of the knob is spaced away from the dial plate at least the thickness of a dime.

NOTE: Do not turn adjusting shaft more than two turns in either direction or permanent damage can result. This action will void the Standard Fenwal thermostat warranty.

Griddles

IMPORTANT: The flue must be installed prior to start-up.

Lighting Instructions And Pilot Burner Adjustment

Each griddle burner is equipped with a pilot.

For the HI-LO valve operated model, the pilot adjusting valve pilot burner is located on the manifold to the left of each griddle valve. Open the pilot valve with a screwdriver and light the pilot with a match.

For the griddle equipped with thermostats the pilot and the main burner are controlled by the ON-OFF valve. **MAKE SURE THE THERMOSTAT IS IN ON OFF POSITION.** Turn on the main valve and light the pilot with a match. The pilot adjusting screw is located at the bottom of the thermostat.

Pilots flames must be 3/4 inch (19mm) long

Burner Operation

The burner will light automatically from the pilot. Turn the valve to full "ON" position. Once the flame has ignited, adjust the valve to the desired setting.

Hi-Lo Valve Adjustment

Griddles equipped with Hi-Lo valves require a low flame setting. To adjust, proceed as follows:

1. Burner must be cold.
2. Be sure pilot flames are lit, and adjusted.
3. Turn dial to "LO" position, then remove dial.
4. With a screwdriver, turn the small adjusting screw inside the valve stem and adjust to obtain the low cooking temperature desired, maintaining a stable flame covering the entire burner (minimum 3/16 inch (5 mm) long flame).
5. Replace dial and turn to "OFF" position.

Calibration Instructions

1. Use a test instrument with a special disc type thermocouple or a reliable surface type pyrometer. Note: a drop of oil on the face of the disc will provide better contact with the plate.
2. Set all griddle thermostats to 350°F (177°C). In order to allow the griddle temperature to stabilize, the thermostats must be allowed to cycle twice before taking a test reading.
3. Check the griddle temperature when the thermostat just cycles "OFF" by placing the thermocouple firmly on the griddle surface directly above the sensing bulb of the thermostat. The reading should be between 335°F (168°C) and 365°F (185°C). If the reading is outside of these limits, calibrate as follows:
4. Carefully remove the dial, not disturbing the shaft position.

ADJUSTMENTS Continued

5. Hold the shaft steady and with a small flat screw driver turn the calibration screw located inside the shaft clockwise to decrease temperature or anti-clockwise to increase temperature. Note: Each 1/4 turn of the screw will create a change of approximately 25°F (14°C).
6. Replace the thermostat dial and repeat steps 1 through 3 to verify that a correct adjustment has been made.

Broilers

IMPORTANT: The flue must be installed prior to start-up.

Pilot Burner Adjustment

Each burner in the broiler is equipped with a pilot. The burner pilot is ignited by the piezo ignitor located behind the front door.

The pilot has been adjusted at the factory; however, it may require adjustment once installed. The pilot adjusting valve is located under each burner valve. Open the bottom door and use a long thin straight blade screwdriver to adjust the valve. Refer to Flame Size Chart.

Burner Operation

The burner will light automatically from the pilot. Turn the valve to the full "ON" position. Once the flame has ignited, adjust the valve to the desired setting.

HI-LO Valve Adjustment

Broilers are equipped with HI-LO valves which require a low flame setting. To adjust, proceed as follows:

1. Burner must be cold.
2. Be sure pilot flames are lit and adjusted.

3. Turn dial to "LO" position, then remove dial.
4. With a screwdriver, turn the small adjusting screw inside the valve stem and adjust to obtain the low cooking temperature desired, maintaining a stable flame covering the entire burner (minimum 3/16" (5 mm) long flame).
5. Replace dial and turn to "OFF" position.

Flame Size

Flame Size Chart

The correct air and/or gas adjustment has been made when a stable blue inner cone is obtained.

MODEL NUMBER	DESCRIPTION	PILOT FLAME LENGTH
GD-152H(FF)	Hot Plate	1/2" [13 mm]
GD-302H(FF)	Hot Plate	1/2" [13 mm]
GD-304H(FF)	Hot Plate	1/2" [13 mm]
GD-15F	Fryer	3/4" [19 mm]
GD-15G(FF)	Griddle	3/4" [19 mm]
GD-15GTH	Griddle	3/4" [19 mm]
GD-24G(FF)	Griddle	3/4" [19 mm]
GD-24GTH	Griddle	3/4" [19 mm]
GD-36G(FF)	Griddle	3/4" [19 mm]
GD-36TGTH	Griddle	3/4" [19 mm]
GD-18RB(FF)	Broiler	1/2" [13 mm]
GD-24RB[FF]	Broiler	1/2" [13 mm]
GD-30RB(FF)	Broiler	1/2" [13 mm]
GD-36RB(FF)	Broiler	1/2" [13 mm]

OPERATION FOR “FF” MODELS

Open Type Hot Plate

All burners are equally rated and may be used either for fast boiling or simmering. The pan supports will safely accommodate pans from 125mm (5”) diameter. It is, however, recommended that pans larger than 30mm (12”) diameter should be heated on the rear burners.

NOTE: For maximum efficiency and stability, use flat bottomed utensils and place centrally over burner head.

Lighting the Open Type Hot Plate

To light the open top burners:

1. Push in the tap and turn it anti-clockwise to the ignition position “★”.
2. Holding the tap fully in, depress the ignitor button and observe that the pilot lights. If it does not, repeatedly depress the ignitor button until it does.
3. When the pilot is lit, continue to hold the tap in for 20 seconds, then release it. If the pilot goes out, wait for 5 minutes, then repeat from step 1.
4. When the pilot is established, push the tap in again and turn it anti-clockwise to the full flame position “▲” to light the main burner.
5. To shut the burner off, turn the dial to the “●” position and the safety device will disengage within 60 seconds.

Broilers

Lighting the Broiler

1. Push in the tap and turn it anti-clockwise to the ignition position “★”.
2. Holding the tap fully in, depress the ignitor button and observe that the pilot lights. If it does not, repeatedly depress the ignitor button until it does.
3. When the pilot is lit, continue to hold the tap in for 20 seconds, then release it. If the pilot goes out, wait for 5 minutes, then repeat from step 1.

4. When the pilot is established, push the tap in again and turn it anti-clockwise to the full flame position “▲” to light the main burner.
5. For low flame or simmer, push the tap in and turn it anti-clockwise to the “▲” position.
6. To shut the burner off, turn the dial to the “●” position and the safety device will disengage within 60 seconds.

Griddles

Griddle tops are designed to have food cooked directly on the surface. Do not put pots or pans on the griddle surface. This will scratch or nick the surface and result in improper cooking or sticking of product. Never salt food over a griddle since this will build up a gummy residue making it difficult to clean.

Avoid hitting the surface of the griddle with the edge of a spatula since this will cause nicks. The most frequently used temperatures are 300°F (149°C) to 350°F (177°C). After one firing, the griddle plate will discolour. This is normal and will not affect cooking performance.

Check the grease container and drain frequently during heavy use to prevent overflow.

Lighting the Griddle

1. Push in the tap and turn it anti-clockwise to the ignition position “★”.
2. Holding the tap fully in, depress the ignitor button and observe that the pilot lights. If it does not, repeatedly depress the ignitor button until it does.
3. When the pilot is lit, continue to hold the tap in for 20 seconds, then release it. If the pilot goes out, wait for 5 minutes, then repeat from step 1.
4. When the pilot is established, push the tap in again and turn it anti-clockwise to the full flame position “▲” to light the main burner.
5. For low flame or simmer, push the tap in and turn it anti-clockwise to the “▲” position.
6. To shut the burner off, turn the dial to the “●” position and the safety device will disengage within 60 seconds.

OPERATION ALL MODLES

Lighting Standing Pilots - All Models

These units are not designed to be disconnected from their gas connections and re-installed on a regular basis. Quick connect gas lines should not be used. Once the gas appliance has been installed by a licensed gas trades-person all connections, pilot lights and controls have been inspected for proper operation. All gas appliances that use standing pilot systems are generally assumed to be operating with the pilot on continuously. The units should not be restarted except in the event of a gas service interruption to the facility.

If a pilot flame does go out, here are the basic steps to check before you re-light the pilot:

1. Check to see that all gas lines are in place and secured and that there is no accumulation of gas inside the unit.
2. Check to make sure that the main shut off valve is in the off position.
3. Turn the thermostat to the off position. (If applicable)
4. Turn on or open the main shut off valve to the appliance.
5. Depending on the appliance type:
 - Lower the front black enamel panel to the unit and immediately depress the red button, which is the piezo to ignite the pilot.
 - Or.
 - Remove the front valve panel and light the pilot with a lighted taper, through pilot viewing hole.
6. The pilot should ignite within a few attempts. You will be able to see the pilot flame through the observation hole in the stainless steel front panel.
7. If you do not have a pilot flame established fairly quickly and begin to smell gas, shut off the main valve and wait five minutes to let the gas build-up escape.
8. Only once the pilot flame has been established should you turn on the burner control. When the burner control is on it allows gas flow to the burner. If there is no pilot flame it will allow gas to build up and cause possible delayed ignition, which could result in an explosion.

MAINTENANCE INSTRUCTIONS

NOTE: Any maintenance or service involving disassembly of components should be made by a qualified service technician. Also, ensure gas supply to the appliance is shut off.

You have purchased the finest commercial cooking equipment available anywhere. Like any other fine precision built piece of equipment, it should be given regular care and maintenance.

Periodical inspections by your dealer or qualified service agency are recommended to check temperatures, adjustments and ensure moving parts are operative. Whenever possible, avoid overheating idle equipment as this is the primary cause for increased service costs.

When corresponding with the factory or your equipment dealer regarding service problems or replacement parts, be sure to refer to the particular unit by the correct model number (including prefix and suffix letters and numbers) and the serial or code number. The rating plate affixed to the unit contains this information.

“Regular Maintenance Ensures Peak Performance.”

Cleaning Instructions

Black Baked Enamel – Allow equipment to cool after use and wash all grease deposits from exterior with a hot mild detergent or soap solution. Dry thoroughly. Do not use abrasives.

Nickel Plated – Wash when cool with a hot mild detergent or soap solution. Do not use abrasives.

Stainless Steel – Normal soil may be removed with a detergent or soap solution applied with a cloth.

MAINTENANCE INSTRUCTIONS Continued

To remove grease that has baked on, apply cleanser to a damp cloth or sponge and rub cleanser on the metal. NEVER RUB WITH A CIRCULAR MOTION. Soil and burnt deposits which do not respond can usually be removed by rubbing the surface with Scotch-Brite scouring pads or Stainless scouring pads. DO NOT USE ORDINARY STEEL WOOL.

Heat tint can be removed by a vigorous scouring in the direction of the polish lines using Scotch-Brite scouring pads or a Stainless scouring pad in combination with a powdered cleanser.

PARTS AND SERVICE

It is easy to keep your Garland equipment working in top condition.

Technical information and/or parts literature is available through your local Authorized Garland Service Agency or direct from Garland.

Instructions De Nettoyage

Émail noir – Laisser l'équipement refroidir après utilisation et laver tous les dépôts graisseux à l'extérieur avec une solution très chaude de détergent doux ou de savon. Bien sécher. Ne pas utiliser de produits abrasifs.

Pièces nickelées – Les laver une fois froides avec une solution très chaude de détergent doux ou de savon. Ne pas utiliser de produits abrasifs.

Acier inoxydable – Les salissures normales peuvent être éliminées avec une solution de détergent ou de savon appliquée avec un chiffon.

Pour éliminer la graisse cuite, appliquer du produit de nettoyage sur un chiffon humide ou une éponge et faire couler le produit sur le métal. NE JAMAIS FROTTER AVEC UN MOUVEMENT CIRCULAIRE. La saleté et les dépôts brûlés qui ne se détachent pas ainsi peuvent habituellement être éliminés en frottant la surface avec des tampons à récure Scotch-Brite ou des tampons à récure pour acier inoxydable. NE PAS UTILISER DE LAINE D'ACIER ORDINAIRE. La coloration causée par la chaleur peut être éliminée en frottant vigoureusement dans le sens des lignes de polissage avec des tampons à récure Scotch-Brite ou un tampon à récure pour acier inoxydable combinés à un produit de nettoyage en poudre.

PIÈCES DE RECHANGE ET RÉPARATION

Il est facile de maintenir votre équipement Garland en bon état de marche.

Vous pouvez obtenir des renseignements techniques et/ou de la documentation sur les pièces auprès de votre agence de service agréée Garland ou directement auprès de Garland.

Allumage Des Veilleuses Permanentes – Tous Modèles

Ces appareils ne sont pas conçus pour être débranchés de la conduite de gaz et être rebranchés de façon régulière. On ne devra pas utiliser de conduites à raccord rapide. Une fois que l'appareil à gaz a été installé par un professionnel licencié, le fonctionnement correct des branchements, veilleuses et commandes doit être vérifié. On suppose généralement que tous les appareils à gaz qui utilisent des systèmes de veilleuses permanentes fonctionnent de façon continue avec rallumés, sauf en cas de coupure de gaz dans les installations. Si la veilleuse s'éteint, vérifiez ce qui suit avant de rallumer la veilleuse :

1. Vérifiez que toutes les conduites de gaz sont en place et bien fixées et qu'il n'y a pas d'accumulation de gaz à l'intérieur de l'appareil.
2. Vérifiez que le robinet d'arrêt principal est en position fermée.
3. Tournez le thermostat en position d'arrêt. (Le cas échéant)
4. Ouvrez le robinet d'arrêt de l'appareil.

5. Selon le type d'appareil :
Abaissez le panneau avant émaillé noir de l'appareil et appuyez immédiatement sur le bouton rouge, correspondant à l'allumeur piézoélectrique de la veilleuse.
Ou
Retirez le panneau avant des robinets et allumez la veilleuse avec une mèche allumée, à travers le trou d'observation de la veilleuse.
6. La veilleuse devrait s'allumer au bout de quelques essais. Vous pourrez voir la flamme de la veilleuse par le trou d'observation dans le panneau avant en acier inoxydable. Si la veilleuse ne s'allume pas rapidement et que vous sentez une odeur de gaz, fermez le robinet principal et attendez cinq minutes pour que le gaz accumulé se dissipe.
7. Ne pas tourner la commande de brûleur avant que la flamme de veilleuse ne soit établie. Quand la commande de brûleur est ouverte, le gaz peut parvenir au brûleur. Si la veilleuse n'est pas allumée, le gaz s'accumule et un allumage retardé pourrait causer une explosion.

INSTRUCTIONS D'ENTRETIEN

NOTA : Tout entretien ou réparation impliquant le démontage de composants devra être effectué par un technicien d'entretien qualifié. Vérifier également que l'alimentation en gaz de l'appareil est coupée.

Vous avez acheté le meilleur équipement commercial de cuisson au monde. Comme tout autre équipement fabriqué avec précision, il devra être nettoyé et entretenu de façon régulière.

Des inspections périodiques par le concessionnaire ou une agence d'entretien qualifiée sont recommandées pour vérifier les températures, les réglages et s'assurer que les pièces mobiles fonctionnent correctement. Si possible, éviter de surchauffer l'équipement inutilement, car cela représente la principale cause de coûts d'entretien.

Pour correspondre avec l'usine ou votre concessionnaire en équipement concernant des problèmes de service ou des pièces de rechange, bien faire référence à l'appareil avec le numéro de modèle correct (comprenant les lettres et chiffres du préfixe et du suffixe) et le numéro de série ou de code. La plaque signalétique fixée à l'appareil contient ces renseignements

“Un entretien régulier assure des performances optimales;”

Allumage Du Gril

1. Enfoncer le robinet et le tourner dans le sens inverse des aiguilles d'une montre jusqu'à la position « ★ ».
2. En maintenant le robinet enfoncé, appuyer sur le bouton de l'allumeur et vérifier que la veilleuse s'allume. Si elle ne s'allume pas, continuez d'appuyer sur le bouton de l'allumeur jusqu'à ce qu'elle s'allume.
3. Une fois la veilleuse allumée, continuer de maintenir le robinet enfoncé pendant 20 secondes, puis le relâcher. Si la veilleuse s'éteint, attendre 5 minutes et recommencer à partir de l'étape 1.
4. Quand la veilleuse est bien allumée, appuyer de nouveau sur le robinet et le tourner complètement dans le sens contraire des aiguilles d'une montre jusqu'à la position « ▼ » pour allumer le brûleur principal.

5. Pour obtenir une flamme basse ou pour mijoter, appuyer sur le robinet et le tourner dans le sens contraire des aiguilles d'une montre jusqu'à la position « ▼ ».
6. Pour éteindre le brûleur, tourner le cadran à la position « ● » et le dispositif de sécurité se désengagera dans un délai de 60 secondes.

3. Une fois la veilleuse allumée, continuer de maintenir le robinet enfoncé pendant 20 secondes, puis le relâcher. Si la veilleuse s'éteint, attendre 5 minutes et recommencer à partir de l'étape 1.
4. Quand la veilleuse est bien allumée, appuyer de nouveau sur le robinet et le tourner complètement dans le sens contraire des aiguilles d'une montre jusqu'à la position « ▼ » pour allumer le brûleur principal.
5. Pour obtenir une flamme basse ou pour mijoter, appuyer sur le robinet et le tourner dans le sens contraire des aiguilles d'une montre jusqu'à la position « ▼ ».
6. Pour éteindre le brûleur, tourner le cadran à la position « ● » et le dispositif de sécurité se désengagera dans un délai de 60 secondes.

Grils

Les grils sont conçus pour cuire les aliments directement sur leur surface. Ne pas placer de pot ni de plats à la surface du gril. Cela risque de rayer ou d'entailler la surface et de causer des problèmes de cuisson ou d'adhérence des aliments. Ne jamais saler les aliments sur un gril car un résidu collant s'accumulera, rendant difficile le nettoyage du gril.

Éviter de heurter la surface du gril avec le bord d'une spatule car cela causera des entailles.

Les températures le plus souvent utilisées vont de 300°F (149°C) à 350°F (177°C). Après une cuisson, la plaque du gril va se décolorer. Cela est normal et n'affectera pas les résultats de cuisson.

Vérifier et vider fréquemment le contenant à graisse en cas d'utilisation intensive pour éviter tout débordement.

Taille Des Flammes

Tableau De Taille Des Flammes

Le réglage d'air et/ou de gaz est correct quand on obtient un cône intérieur bien stable.

NUMÉRO DE MODÈLE	DESCRIPTION	LONGUEUR DE FLAMME DE VEILLEUSE
GD-152H(FF)	Plaque Chauffante	1/2" [13 mm]
GD-302H(FF)	Plaque Chauffante	1/2" [13 mm]
GD-304H(FF)	Plaque Chauffante	1/2" [13 mm]
GD-15F	Friteuse	3/4" [19 mm]

NUMÉRO DE MODÈLE	DESCRIPTION	LONGUEUR DE FLAMME DE VEILLEUSE
GD-15G(FF)	Gril	3/4" [19 mm]
GD-15GTH	Gril	3/4" [19 mm]
GD-24G(FF)	Gril	3/4" [19 mm]
GD-24GTH	Gril	3/4" [19 mm]
GD-36G(FF)	Gril	3/4" [19 mm]
GD-36TGTTH	Gril	3/4" [19 mm]
GD-18RB(FF)	Rôtissoire	1/2" [13 mm]
GD-24RB[FF]	Rôtissoire	1/2" [13 mm]
GD-30RB(FF)	Rôtissoire	1/2" [13 mm]
GD-36RB(FF)	Rôtissoire	1/2" [13 mm]


Plaques Chauffantes De Type Ouvert.

Tous les brûleurs ont un débit calorifique identique et peuvent être utilisés indifféremment pour faire bouillir rapidement ou laisser mijoter. Les supports de plat peuvent accueillir en toute sécurité des plats à partir de 125 mm (5 po) de diamètre. Cependant, il est recommandé de faire chauffer sur les brûleurs arrière les plats dont le diamètre est supérieur à 30 mm (12 po).

NOTA : Pour une efficacité et une stabilité maximales, utiliser des ustensiles à fond plat et les placer au centre de la tête de brûleur.

Allumage De La Plaque Chauffante De Type Ouvert

Pour allumer les brûleurs de plaque ouverte.


1. Enfoncer le robinet et le tourner dans le sens inverse des aiguilles d'une montre jusqu'à la position «».


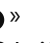
2. En maintenant le robinet enfoncé, appuyer sur le bouton de l'allumeur et vérifier que la veilleuse s'allume. Si elle ne s'allume pas, continuez d'appuyer sur le bouton de l'allumeur jusqu'à ce qu'elle s'allume.

FONCTIONNEMENT DES MODÈLES « FF »

Rôtissoires

Allumage de la rôtissoire

1. Enfoncer le robinet et le tourner dans le sens inverse des aiguilles d'une montre jusqu'à la position «».
2. En maintenant le robinet enfoncé, appuyer sur le bouton de l'allumeur et vérifier que la veilleuse s'allume. Si elle ne s'allume pas, continuez d'appuyer sur le bouton de l'allumeur jusqu'à ce qu'elle s'allume.

3. Une fois la veilleuse allumée, continuer de maintenir le robinet enfoncé pendant 20 secondes, puis le relâcher. Si la veilleuse s'éteint, attendre 5 minutes et recommencer à partir de l'étape 1.
4. Quand la veilleuse est bien allumée, appuyer de nouveau sur le robinet et le tourner complètement dans le sens contraire des aiguilles d'une montre jusqu'à la position «» pour allumer le brûleur principal.
5. Pour éteindre le brûleur, tourner le cadran à la position «» et le dispositif de sécurité se désengagera dans un délai de 60 secondes.

4. Avec un tournevis, tourner la petite vis de réglage à l'intérieur de la tige du robinet et régler pour obtenir la température basse de cuisson souhaitée, maintenant une flamme stable couvrant tout le brûleur (flamme d'une longueur minimale de 3/16 po (5 mm)).
 5. Remettre en place le cadran et le tourner en position « OFF ».
- ### Instructions D'étalonnage
1. Utiliser un instrument d'essai avec un thermocouple spécial de type à disque ou un pyromètre fiable de type " surface ". Nota : une goutte d'huile sur la face du disque assurera un meilleur contact avec la plaque.
 2. Régler tous les thermostats de grils à 350°F (177°C). Pour permettre à la température du gril de se stabiliser, il faut laisser les thermostats cycler deux fois avant de mesurer la température.
 3. Vérifier la température du gril quand le thermostat vient juste de s'éteindre en appuyant fermement le thermocouple sur la surface du gril, directement au-dessus du bulbe thermostatique. Le résultat devrait être compris entre 335°F (168°C) et 365°F (185°C). Si le résultat est hors de ces limites, étalonner comme indiqué ci-après:
 4. Retirer soigneusement le cadran, sans modifier la position de l'axe.
 5. En immobilisant l'axe, tourner avec un petit tournevis plat la vis d'étalonnage à l'intérieur de l'axe dans le sens des aiguilles d'une montre pour diminuer la température ou dans le sens contraire des aiguilles d'une montre pour augmenter la température. Nota : Chaque 1/4 de tour de la vis modifie la température d'environ 25°F (14°C)
 6. Remettre en place le cadran du thermostat et répéter les étapes 1 à 3 pour vérifier que le réglage est correct.

- ### Rôtissoires
- IMPORTANT : Le conduit de fumée doit être installé avant la mise en marche.
- ### Réglage Des Veilleuses
- Chaque brûleur dans la rôtissoire est équipé d'une veilleuse. La veilleuse de brûleur est allumée par l'allumeur piézoélectrique situé derrière la porte avant.
- La veilleuse a été réglée en usine; cependant, il est possible qu'elle ait besoin de réglages une fois installée. Le robinet de réglage de veilleuse est situé sous chaque robinet de brûleur. Ouvrir la porte inférieure et utiliser une lame de tournevis droit long et fin pour régler le robinet. Se reporter au tableau des tailles des flammes.
- ### Utilisation Des Brûleurs
- Le brûleur s'allume automatiquement avec la veilleuse. Tourner le robinet à la position extrême « ON ». Une fois la flamme allumée, régler le robinet selon le réglage souhaité.
- ### Réglage Des Robinets HI-LO
- Les rôtissoires dotées de robinets HI-LO ont besoin d'un réglage de flamme basse. Pour effectuer ce réglage, procéder comme suit :
1. Le brûleur doit être froid.
 2. S'assurer que les veilleuses sont allumées et réglées.
 3. Tourner le cadran en position « LO » et retirer le cadran.
 4. Avec un tournevis, tourner la petite vis de réglage à l'intérieur de la tige du robinet et régler pour obtenir une température basse de cuisson souhaitée, maintenant une flamme stable couvrant tout le brûleur (flamme d'une longueur minimale de 3/16 po (5 mm)).
 5. Remettre en place le cadran et le tourner en position « OFF ».

Pour Utiliser Le Brûleur Principal

1. En cas d'utilisation de produit à friture liquide, il est possible d'allumer le brûleur principal.
2. Pour allumer le brûleur, tourner le robinet automatique de gaz dans le sens inverse des aiguilles d'une montre à la position « ON ».
3. En cas d'utilisation d'un produit à friture hydrogène (solide), remplir le bassin avec du produit et allumer le brûleur principal pendant environ cinq secondes, puis l'éteindre pendant environ dix secondes. Recommencer jusqu'à ce que le produit à friture soit fondu. Si de la fumée se dégage pendant ce processus, le réchauffage est trop rapide et le produit à friture brûle, ce qui risque d'endommager le bassin de friture.

Instructions D'extinction

Pour éteindre la friteuse pour une courte période de temps, tournez le bouton du robinet automatique de gaz à la position "Pilot".

Pour éteindre complètement l'appareil, tourner le bouton du robinet automatique de gaz dans le sens des aiguilles d'une montre à la position « PLOT », appuyer sur le bouton, tourner légèrement dans le sens des aiguilles d'une montre, relâcher et continuer de tourner dans le sens des aiguilles d'une montre jusqu'à « OFF ».

Instructions D'étalonnage

1. L'étalonnage sur place est rarement nécessaire et on ne devra pas essayer de le faire sauf si les résultats de cuisson démontrent que les commandes ne maintiennent pas les températures sur lesquelles sont réglées les commandes.
2. Suspendre un thermomètre ou un thermocouple au milieu du bain de friture, à environ 2 po (51 mm) sous le niveau du liquide à friture.
3. Attendre que le brûleur s'allume et s'éteigne au moins quatre fois.
4. Quand le brûleur vient de s'éteindre après le quatrième cycle, comparez l'indication du thermomètre ou thermocouple au réglage du thermostat.
5. S'ils ne correspondent pas $\pm 10^{\circ}\text{F}$ (5°C), desserrer les deux vis de blocage du bouton du thermostat.
6. Régler le pointeur à la température indiquée sur le thermomètre;

Bien serrer la vis de blocage.

8. Vérifier que la surface noire du bouton est suffisamment éloignée de la plaque du cadran (au moins l'épaisseur d'une pièce de 10 sous).

NOTA : Ne pas tourner l'axe de réglage de plus de deux tours dans un sens ou dans l'autre sous peine de causer des dommages permanents. Cela annulera la garantie standard du thermostat Fenwal.

Grils

IMPORTANT : Le conduit de fumée doit être installé avant la mise en marche.

Instructions D'allumage Et Réglage Des Veilleuses

Chaque brûleur du gril est doté d'une veilleuse.

Pour le modèle avec robinets HI-LO, le robinet de réglage de veilleuse est situé sur le collecteur, à gauche de chaque robinet de gril. Ouvrir le robinet de veilleuse avec un tournevis et allumer la veilleuse avec une allumette.

Pour le gril doté de thermostats, la veilleuse et le brûleur principal sont commandés par le robinet ON-OFF (Marche-arrêt). **VÉRIFIER QUE LE THERMOSTAT EST EN POSITION D'ARRÊT.** Ouvrir le robinet principal et allumer la veilleuse avec une allumette. La vis de réglage de veilleuse est placée en bas du thermostat.

Utilisation Des Brûleurs

Les flammes des veilleuses doivent avoir une longueur de 3/4 po (19 mm).

Réglage Des Robinets Hi-Lo

Le brûleur s'allume automatiquement avec la veilleuse. Tourner le robinet à la position extrême « ON ». Une fois la flamme allumée, régler le robinet selon le réglage souhaité

Les grils dotés de robinets HI-LO ont besoin d'un réglage de flamme basse. Pour effectuer ce réglage, procéder comme suit :

1. Le brûleur doit être froid.
2. S'assurer que les veilleuses sont allumées et réglées.
3. Tourner le cadran en position "LO" et retirer le cadran.

RÉGLAGES

Réglage Des Brûleurs – Toutes Les Unités

1. Avant d'effectuer des réglages, tourner tous les robinets de gaz à « OFF ». Retirer les fils d'attache des brûleurs si cela n'est pas déjà fait. S'assurer que toutes les canalisations sont étanches et que l'air a été purgé des conduites.

2. Tous les appareils sont expédiés de l'usine avec des débits calorifiques réglés pour le gaz indiqué sur la plaque signalétique, à la pression normale du gaz. Le seul réglage à faire est celui de l'air d'appoint.

Réglage de l'air Si nécessaire, on peut régler l'air en tournant l'obturateur d'air sur le brûleur. Le brûleur doit recevoir suffisamment d'air pour que les extrémités des flammes ne soient pas jaunes, mais pas trop pour que les flammes ne décollent pas des orifices des brûleurs. Bien serrer la vis d'obturateur d'air de façon à ce que celui-ci ne puisse pas être déréglé.

Plaques Chauffantes

IMPORTANT : Le conduit de fumée doit être installé avant la mise en marche.

Réglage Des Veilleuses

Chaque brûleur dans la plaque chauffante est équipé d'une veilleuse. La veilleuse de brûleur est allumée par l'allumeur piézoélectrique situé derrière la porte avant.

La veilleuse a été réglée en usine; cependant, il est possible qu'elle ait besoin de réglages une fois installée. Le robinet de réglage de veilleuse est situé sous chaque robinet de brûleur. Ouvrir la porte inférieure et utiliser une lame de tournevis droit long et fin pour régler le robinet. Se reporter au tableau des tailles des flammes.

Utilisation Des Brûleurs

Le brûleur s'allume automatiquement avec la veilleuse. Tourner le robinet à la position extrême « ON ». Une fois la flamme allumée, régler le robinet selon le réglage souhaité.

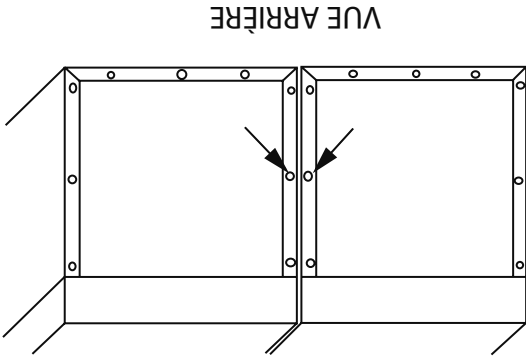
Friteuses

Avant D'utiliser La Friteuse

1. Avant son départ de l'usine, la friteuse a été testée et son thermostat étalonné avec de l'huile dans le bassin de friture. Pour cette raison, il est nécessaire de nettoyer le bassin de friture avant de le remplir avec du produit de friture. Utiliser du détergent ou tout autre produit de nettoyage et de l'eau très chaude. Bien rincer et assécher le bassin.
2. AVANT D'ALLUMER LA VEILLEUSE, remplir le bassin de friture. NE JAMAIS UTILISER LA VEILLEUSE OU LE BRÛLEUR QUAND LE BASSIN DE FRIURE EST VIDE. Il suffit de quelques minutes pour détruire complètement un bassin de friture et annuler la garantie.
3. AVERTISSEMENT : Quand des friteuses sont utilisées, il est nécessaire d'installer des chaînes/câbles de retenue afin d'empêcher la friteuse de se renverser et d'éclabousser le liquide chaud. Le produit à friture chaud cause des brûlures graves. Ne jamais essayer de déplacer une friteuse quand le bassin de friture est plein. Vidanger complètement le bassin de friture avant de déplacer la friteuse.

Réglage Des Veilleuses

1. Tourner le bouton du thermostat à la position la plus basse.
2. Appuyer et tourner le bouton du robinet automatique de gaz en position « OFF ». Attention : Attendre 5 minutes avant d'allumer ou de rallumer la veilleuse.
3. Tourner le bouton du robinet automatique de gaz en position "Pilot".
4. Enfoncer le bouton, allumer la veilleuse et maintenir le bouton enfoncé pendant environ 60 secondes après l'allumage de la veilleuse.
5. Régler la flamme de la veilleuse à 3/4 po (19 mm)
6. Si la veilleuse s'éteint quand on relâche le bouton, recommencer la procédure ou...
7. Demander à un technicien qualifié de vérifier le système. NE LAISSER PERSONNE D'AUTRE ESSAYER D'EFFECTUER DES RÉPARATIONS.



1. Mettre chaque appareil de niveau en ajustant les boulons de mise à niveau ou les pieds. Utiliser un niveau à bulle et mettre l'appareil de niveau dans quatre directions : en travers à l'avant et à l'arrière et verticalement sur les bords de droite et de gauche. Mettre toutes les unités de niveau avec la première.
- Nota : Les grils peuvent ne pas reposer correctement, si les appareils ne sont pas de niveau

2. Retirer les vis Parker à l'arrière de l'appareil.
3. Fixer une plaque d'union en place à l'arrière en mettant les trous de diamètre 1/4 po (6 mm) de la plaque d'union sur les trous de vis à l'arrière de l'appareil et les fixer en remettant en place les vis Parker retirées à l'étape 2.
4. Pousser les appareils pour les mettre en place sur le plan de travail ou le dossier du bar.
5. Retirer les deux écrous borgnes des côtés fixés en batterie (un pour chaque panneau de commande). Placer la plaque d'union sur les deux têtes de vis, remettre en place les écrous borgnes et les serrer.

Installation De Socles De Travail Incombustibles (Option)

1. Assembler et mettre de niveau le socle de plan de travail comme indiqué dans les instructions se trouvant dans le carton du socle.
2. Retirer et jeter les boulons de mise à niveau des appareils devant être installés sur un socle de plan de travail incombustible.

3. Placer les appareils dans les positions choisies sur le socle de plan de travail, en fixant la première unité avec des vis à métaux de 8-32 et des rondelles plates. Insérer les vis à métaux 8-32 à travers les trous de diamètre 7/32 po (5 mm) du socle dans les écrous au fond de l'appareil de série GD.
4. Relier les plaques d'union tel que décrit dans la section intitulée : Installation des plaques d'union.
5. Fixer la dernière unité au socle de plan de travail à l'aide de vis à métaux 8-32 et de rondelles plates. Insérer les vis à métaux 8-32 à travers les trous de diamètre 7/32 po (5 mm) du socle dans les écrous au fond de l'appareil de série GD.

Ventilation

L'équipement de comptoir doit être installé dans un endroit où les installations de ventilation assurent une combustion satisfaisante du gaz et une aération correcte. Une ventilation correcte est impérative pour un bon fonctionnement de l'appareil. La méthode idéale de ventilation de l'équipement de comptoir est l'utilisation d'une hotte de ventilation correctement conçue, qui devrait se prolonger d'au moins 6 po (152 mm) sur tous les côtés de l'appareil (sauf contre le mur si la hotte est installée sur le mur). Elle fait habituellement partie d'un système d'évacuation mécanique.

Alimentation En Air

1. Il est nécessaire de laisser entrer dans la pièce suffisamment d'air pour compenser l'air évacué par le système de ventilation. Dans le cas contraire, la pression deviendrait inférieure à la pression atmosphérique, ce qui nuirait au bon fonctionnement de l'appareil et causerait des conditions de travail indésirables.
2. Les appareils seront placés de façon à ne pas empêcher une bonne circulation de l'air dans un endroit confiné. Tous les brûleurs à gaz et veilleuses ont besoin de suffisamment d'air pour fonctionner.
3. Ne pas placer d'objets encombrants devant l'appareil, car ils pourraient obstruer l'admission d'air par l'avant. Ne pas obstruer la circulation d'air de combustion et de ventilation.
4. Éviter que des ventilateurs soufflent directement sur l'appareil et, dans la mesure du possible, éviter d'ouvrir des fenêtres près des côtés et de l'arrière de l'appareil et éviter également les ventilateurs muraux qui créent des courants d'air dans la pièce.

Connexions du gaz

1. L'installation et les connexions doivent être conformes aux codes locaux ou, en l'absence de codes locaux, au Code d'installation CAN/CGA-B149 ou au national Fuel Gas Code, ANSI Z223.1/NFPA No. 54 – dernière édition.

2. Le type correct de gaz pour lequel l'appareil a été fabriqué est noté sur la plaque signalétique et il est nécessaire d'utiliser ce type de gaz.

3. Il est nécessaire de vérifier la pression du gaz quand l'appareil est installé, pour s'assurer que la pression d'alimentation de l'appareil est identique à celle indiquée sur la plaque signalétique. Si nécessaire, les réglages de pression peuvent être effectués au régulateur de pression fourni sur chaque appareil.

4. Faire vérifier la pression du gaz par un technicien qualifié afin de s'assurer que les installations de gaz existantes (compteur, tuyauteries, etc.) fourniront les BTU dont l'appareil a besoin avec une chute de pression ne dépassant pas 1/2 po de colonne d'eau. Pour vérifier la pression, s'assurer que tout l'équipement branché sur la conduite de gaz est en position de fonctionnement.

5. Cet appareil et son robinet d'arrêt du gaz individuel doivent être débranchés du système d'alimentation en gaz lors de tout essai de pression de ce système à des pressions dépassant 1/2 lb/po² (3,45 kPa).

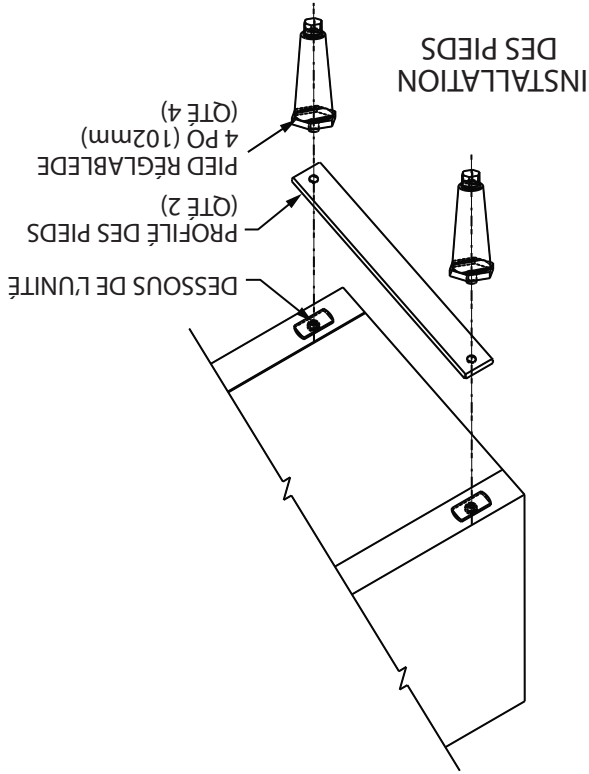
6. Cet appareil doit être isolé du système d'alimentation en gaz en fermant son robinet d'arrêt individuel lors de tout essai de pression du système d'alimentation en gaz à des pressions d'essai supérieures ou égales à 1/2 lb/po² (3,45 kPa).

7. S'assurer que les tuyauteries, joints et branchements neufs ont été exécutés proprement et ont été purgés de façon à ce que la graisse à filetage, les copeaux, etc. ne bouchent pas les veilleuses, robinets et/ou les commandes. Utiliser du produit d'étanchéité pour joint homologué pour une utilisation avec le gaz de pétrole liquéfié.

8. **AVERTISSEMENT** : Vérifier les fuites de gaz sur les raccords avec une solution savonneuse ou des méthodes similaires. Ne pas vérifier avec une flamme nue.

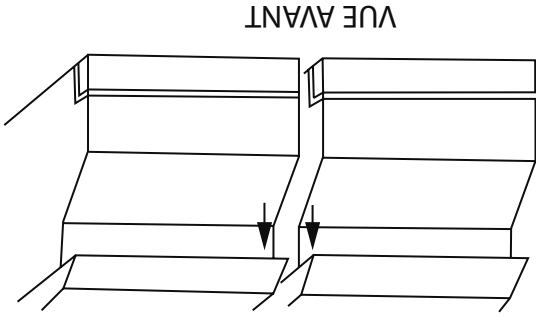
Installation Des Pieds

Le profilé des pieds est placé sous la base de l'ensemble. Ce profilé doit être installé quand on utilise les pieds.



Installation Des Plaques D'union

Toutes les unités peuvent être installées indépendamment ou en série avec d'autres équipements de séries ED ou GD. Pour assurer la correspondance et l'ajustement permanent entre les unités, deux plaques d'union sont livrées pour ce type d'installation. Une plaque se trouve à l'avant et l'autre à l'arrière de chacune des deux unités à installer.



Généralités

Dégagements

- Retirer avec précaution l'appareil du carton ou de la caisse. Retirer de l'appareil les fils d'attache des brûleurs et le matériel d'emballage. Sur les appareils en acier inoxydable, le matériau de protection couvrant l'acier inoxydable doit être retiré immédiatement après l'installation des appareils.
- Retirer les grilles supérieures et les placer dans un endroit sûr pour qu'elles ne soient pas endommagées.
- S'il est nécessaire de retirer la plaque de grill en acier sur les appareils dotés d'un thermostat de grill, le bulbe et le tube capillaire du thermostat de grill doivent d'abord être démontés de l'ensemble de protection du bulbe, situé à la partie inférieure de la plaque de grill. Pour cela, il est nécessaire de soulever l'avant du grill et de le soutenir avec la béquille de grill située sous la plaque de grill. Desserrer les quatre écrous Pal fixant l'ensemble de protection du bulbe thermostatique à la plaque du grill et retirer le bulbe.
- Quand une plaque de grill doit être installée sur des appareils dotés de thermostats de grill, le bulbe thermostatique doit être inséré dans la rainure entre la plaque et l'ensemble de protection du bulbe. Pour cela, il est nécessaire de soulever l'avant du grill et de le soutenir avec la béquille de grill située sous la plaque de grill. Pour un contrôle précis de la température, il est important que le bulbe soit à l'intérieur de la rainure. Serrer les quatre écrous Pal fixant l'ensemble de protection du bulbe à la plaque de grill.
- Ces unités doivent être installées avec un système de ventilation adéquat. Pour des instructions complémentaires, se reporter à la section intitulée Ventilation.
- Tous les réglages des brûleurs doivent être faits par un technicien qualifié spécialiste des appareils à gaz.

DÉGAGEMENTS MINIMUM D'INSTALLATION PRÈS DE MURS OU D'UNE BASE COMBUSTIBLES/INCOMBUSTIBLES			
Modèle n°	Côtés Et Arrière		Incombustible
	Combustible	Incombustible	
GD-152H(J)(FF), GD-302H(J)(FF), GD-304H(J)(FF)	6 po (152mm)	0 po	Combustible
GD-15F(J)	6 po (152mm)	0 po	Incombustible
GD-15G(J)(FF), GD-25G(J)(FF), GD-36G(J)(FF), GD-15GTH(J), GD-24GTH(J), GD-36GTH(J)	6 po (152mm)	0 po	Combustible
POUR INSTALLATION DANS DES EMBLEMENTS INCOMBUSTIBLES UNIQUEMENT			
GD-18RB(J)(FF), GD-24RB(J)(FF), GD-30RB(J)(FF), GD-36RB(J)(FF)	S/O	0 po	Incombustible

SPÉCIFICATIONS

PRÉINSTALLATION

DÉBIT CALORIFIQUE (BTU/H)	PRESSION DE FONCTIONNEMENT po CE		DIMENSION DU COLLECTEUR D'ENTRÉE	NUMÉRO DE MODÈLE
	GAZ NATUREL	PROPANE		
15,000	4.0	10.0	3/4 po	GD-152H(J)(FF), GD-302H(J)(FF), GD-304H(J)(FF)
14,800	4.0	10.0	3/4 po	GD-15FH(J)
45,000	4.2	9.0	1/2 po	GD-15G(J)(FF), GD-15GTH(J), GD-24G(J)(FF), GD-24GTH(J), GD-36G(J)(FF), GD-36GTH(J)
20,000	4.0	10.0	3/4 po	GD-18RB(J)(FF), GD-24RB(J)(FF), GD-30RB(J)(FF), GD-36RB(J)(FF)

Vérification Des Dommages :

Vérification des dommages : Vérifier le carton ou la caisse pour déceler d'éventuels dommages subis pendant l'expédition. Après un déballage soigneux, vérifier la présence de dommages "cachés" ; Signaler immédiatement tout dommage au transporteur.

Plaque Signalétique

Tous les débits calorifiques des brûleurs sont indiqués sur la plaque signalétique de chaque appareil et sont facilement lisibles en ouvrant la porte émaillée sous le panneau de commande. Le type correct de gaz pour lequel l'appareil a été fabriqué est noté sur la plaque signalétique et il est nécessaire d'utiliser ce type de gaz.

Pour correspondre avec l'usine ou le centre de service agréé local concernant des problèmes de service ou des pièces de rechange, bien faire référence à l'appareil avec le numéro de modèle correct (comprendre les lettres et chiffres du préfixe et du suffixe) et le numéro de série de garantie. La plaque signalétique fixée à l'appareil contient ces renseignements.

Nous suggérons de faire faire l'installation, l'entretien et les réparations par une agence de service agréée locale figurant dans la manuel d'informations. En cas de questions concernant l'installation, l'utilisation, l'entretien ou la réparation du produit, écrire ou communiquer avec le département de service des produits. Ce produit doit être installé par du personnel professionnel tel que spécifié. Les produits Garland/U.S. Range ne sont pas agréés ni autorisés pour une utilisation personnelle ou résidentielle, mais sont destinés à des applications commerciales seulement. Garland / U.S. Range n'offre pas de services de réparation, garantie, entretien ou soutien de n'importe quelle sorte pour des applications autres que commerciales.

TABLE DES MATIÈRES

2	INFORMATIONS IMPORTANTES
4	SPÉCIFICATIONS
4	PRÉINSTALLATION
4	Vérification Des Dommages : Plaque Signalétique
5	INSTALLATION
5	Généralités
5	Dégagements
6	Connexions du gaz
6	Installation Des Pieds
6	Installation Des Plaques D'union
7	Installation De Socles De Travail Incombustibles (Option)
7	Ventilation
8	RÉGLAGES
8	Réglage Des Brûleurs – Toutes Les Unités
8	Plaques Chauffantes
8	Réglage Des Veilleuses
8	Utilisation Des Brûleurs
8	Friteuses
8	Avant D'utiliser La Friteuse
8	Réglage Des Veilleuses
8	Pour Utiliser Le Brûleur Principal
9	Instructions D'extinction
9	Instructions D'étalonnage
9	Grils
9	Instructions D'allumage Et Réglage Des Veilleuses
9	Utilisation Des Brûleurs
9	Réglage Des Robinets Hi-Lo
10	Instructions D'étalonnage
10	Rôtissoires
10	Réglage Des Veilleuses
10	Utilisation Des Brûleurs
10	Réglage Des Robinets Hi-Lo
11	Taille Des Flammes
11	Tableau De Taille Des Flammes
11	FONCTIONNEMENT DES MODÈLES « FF »
11	Plaques Chauffantes De Type Ouvert
11	Rôtissoires
11	Grils
13	UTILISATION DE TOUS LES MODÈLES
13	Allumage Des Veilleuses Permanentes – Tous Modèles
13	INSTRUCTIONS D'ENTRETIEN
14	Instructions De Nettoyage
14	PIÈCES DE RECHANGE ET RÉPARATION

Maintenir les abords de l'appareil dégagés et ne pas y stocker de produits combustibles

AVERTISSEMENT

Ce produit contient des produits chimiques reconnus par l'état de Californie comme causant le cancer et/ou des malformations congénitales ou d'autres problèmes de reproduction. L'installation et l'entretien de ce produit peut vous exposer aux poussières de laine de verre/fibres céramiques. L'inhalation de ces particules de laine de verre ou de fibres céramiques est reconnue par l'état de Californie comme causant le cancer. L'utilisation de ce produit peut vous exposer au monoxyde de carbone en cas de mauvais réglage. L'inhalation de monoxyde de carbone est reconnue par l'état de Californie comme pouvant causer des malformations congénitales ou d'autres problèmes reproductifs.



INSTRUCTIONS D'INSTALLATION ET D'UTILISATION

DES UNITÉS DE PLAN DE TRAVAIL À GAZ SÉRIE GD DE GARLAND



POUR VOTRE SÉCURITÉ:
NE PAS STOCKER NI UTILISER D'ESSENCE
OU D'AUTRES VAPEURS OU LIQUIDES
INFLAMMABLES À PROXIMITÉ DE CET
APPAREIL OU DE TOUT AUTRE APPAREIL

AVERTISSEMENT
UNE INSTALLATION, DES RÉGLAGES, DES
MODIFICATIONS, DES RÉPARATIONS OU UN
ENTRETIEN MAL FAITS PEUVENT CAUSER
DES DOMMAGES MATÉRIELS, DES BLES-
SURES OU LA MORT. LIRE SOIGNEUSE-
MENT LES INSTRUCTIONS D'INSTALLATION,
D'UTILISATION ET D'ENTRETIEN
AVANT D'INSTALLER OU DE RÉPARER
L'ÉQUIPEMENT.

LIRE TOUTES LES SECTIONS DU PRÉSENT
MANUEL ET LE CONSERVER POUR S'Y REPORTER
ULTÉRIEUREMENT.

CE PRODUIT A ÉTÉ HOMOLOGUÉ EN TANT
QU'ÉQUIPEMENT PROFESSIONNEL DE CUISSON
ET DOIT ÊTRE INSTALLÉ PAR DU PERSONNEL
PROFESSIONNEL TEL QUE SPÉCIFIÉ.

DANS L'ÉTAT DU MASSACHUSETTS, CE PRODUIT
DOIT ÊTRE INSTALLÉ PAR UN PLOMBIER OU UN
MONTEUR D'INSTALLATION AU GAZ. NUMÉRO
D'AUTORISATION : G-1-07-05-28

Pour votre sécurité
Placer dans un endroit bien en vue les
instructions à suivre en cas d'odeur de gaz
détectée par l'utilisateur. Cette information peut
être obtenue auprès du fournisseur de gaz local.

L'attention des utilisateurs est attirée sur le fait que l'entretien et les réparations doivent être effectués par un agent d'entretien autorisé par Garland utilisant des pièces de rechange d'origine Garland. Garland n'aura aucune obligation en ce qui concerne n'importe quel produit mal installé, réglé, utilisé ou qui n'aurait pas été entretenu conformément aux codes nationaux et locaux ou aux instructions d'installation fournies avec le produit ou n'importe quel produit dont le numéro de série aurait été mutilé, oblitéré ou supprimé ou qui aurait été modifié ou réparé avec des pièces non autorisées ou par des agents d'entretien non autorisés. Pour obtenir la liste des agents de service autorisés, consulter le site web de Garland à : <http://www.garland-group.com>. Les renseignements contenus dans le présent document (y compris la conception et les spécifications des pièces) peuvent être remplacés ou modifiés sans préavis.

GARLAND COMMERCIAL INDUSTRIES
185 East South Street
Freeland, Pennsylvania 18224
Téléphone : (570) 636-1000
Télécopieur : (570) 636-3903

GARLAND COMMERCIAL RANGES, LTD.
CANADA
1177 Kamato Road, Mississauga, Ontario L4W 1X4
Téléphone : 905-624-0260
Télécopieur : 905-624-5669

Enodis UK LTD.
Swallowfield Way, Hayes, Middlesex UB3 1DQ
ANGLETERRE
Téléphone : 081-561-0433
Télécopieur : 081-848-0041