

# **GD Series**

## **Counter Equipment**

---

### **Parts List**

#### **GD Models**

**Hotplates**

**Griddles**

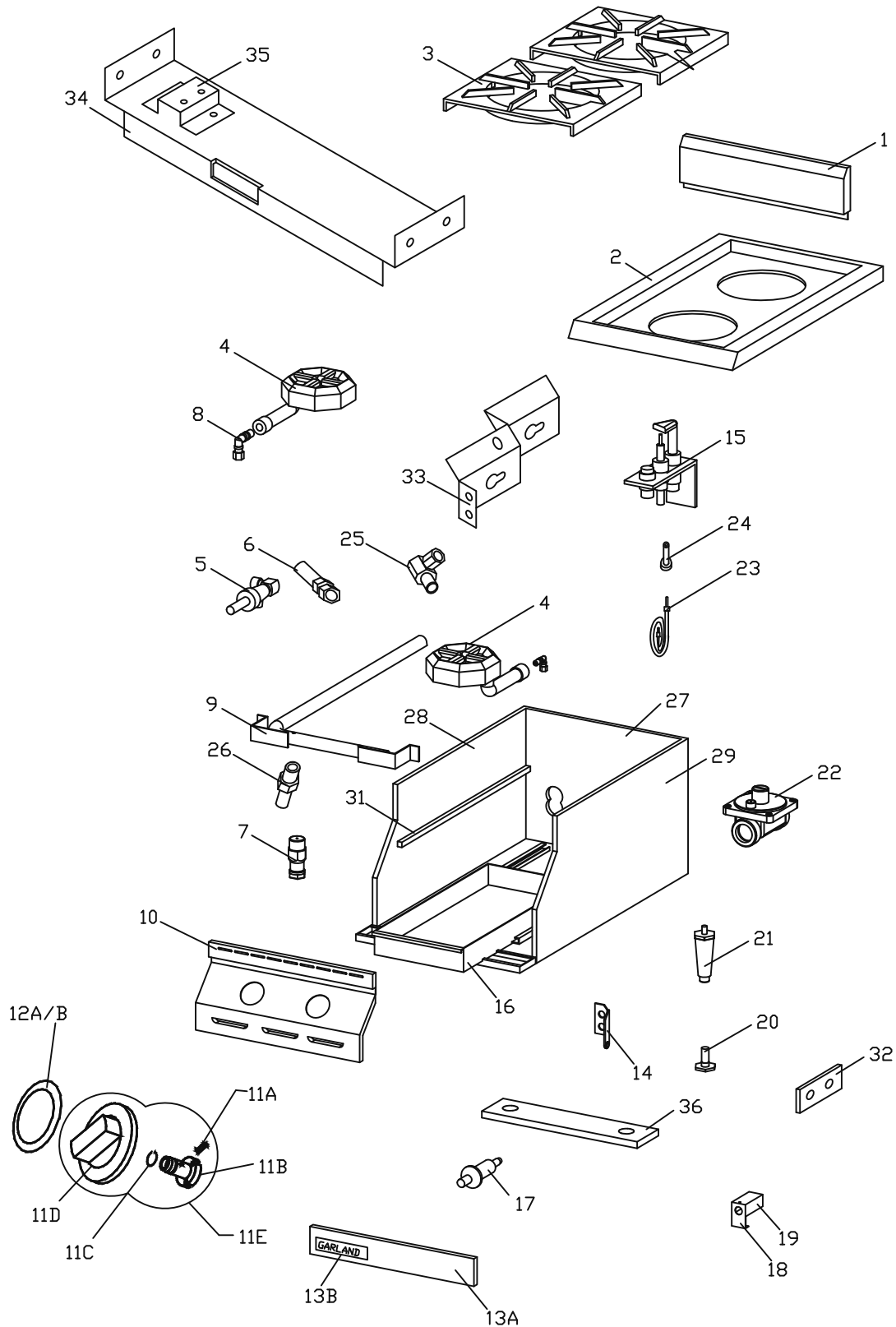
**Broilers**

**Fryers**



# Contents:

Hot Plate-Standard / Flame Failure GD15H2STD, GD152HFF, GD304HSTD, GD304HFF, GD302HSTD, GD302HFF.....	Page 4
Gas Griddles GD15G, GD15GTH, GD24G, GD24GTH, GD36, GD36GTH.....	Page 8
Gas Griddles – GD-15GTHX, GD-24GTHX, GD-35GTHX Snap Action Hydraulic Thermostat System.....	Page 12
Gas Griddles - Flame Failure GD-15GFF, GD-24GFF, GD-36GFF.....	Page 16
Broiler /Standard - RB GD18RB, GD24RB, GD30RB, GD36RB .....	Page 20
Broiler-Flame Failure/Standard - RBFF GD-18RBFF, GD-24RBFF, GD-30RBFF, GD-36RBFF.....	Page 24
Fryer Model GD-15F .....	Page 28
Revision History .....	Page 31



GD-Hot Plates

## GARLAND PARTS IDENTIFICATION

### Hot Plate - Standard / Flame Failure

ITEM	PART #	DESCRIPTION	MODEL QUANTITY						CRITICAL
			GD-152H STD	GD-152H FF	GD-304H STD	GD-304-H FF	GD-302H STD	GD-303H FF	
			1	2258498	15" Flue Assembly Without Slots	1	1		
	2296299	30" Flue Assembly Without Slots			1	1	1	1	
2	2258399	Main Top Assembly	1	1					
	2295999	Main Top Assembly			1	1			
	2303399	Main Top Assembly					1	1	
3	2258700	Top Casting Enamelled	2	2	4	4	2	2	
4	<b>CK230</b>	<b>Burner Assembly</b>	2	2	4	4	2	2	C
5	<b>2248400</b>	<b>ON-OFF Valve Brass 90 Degree Elbow</b>	2		4		2		C
	<b>2187100</b>	<b>Flame Failure Valve Oven</b>		2		4		2	C
6	<b>1086597</b>	<b>3/16 Pilot Adjusting Valve</b>	2		4		2		C
	<b>G03674-2</b>	<b>Valve - Pilot 3/16" Angle 90 Degree</b>		2		4		2	C
7	<b>G02251-1</b>	<b>Pressure Test Spigot</b>	1	1	1	1	1	1	C
8	G02486-49F	Orifice Fitting Natural - North America	2	2	4	4	2	2	
	G02486-56F	Orifice Fitting Propane - North America	2	2	4	4	2	2	
	G02486-XX	Orifice Fitting Special Specify Gas	2	2	4	4	2	2	
9	2259099	Manifold Assembly	1						
	2319899	Flame Failure Manifold		1					
	2295899	Manifold Assembly			1				
	2320099	Flame Failure Manifold				1			
	2303799	Manifold Assembly					1		
	2320199	Flame Failure						1	
10	2258800	Control Panel - to Code 9402CG0180	1	1					
	2350900	Control Panel - from Code 9402CG0181	1	1					
	2295700	Control Panel - to Code 9402CG0180			1	1			
	2351100	Control Panel - from Code 9402CG0181			1	1			
	2295701	Control Panel					1	1	
11A	F561	10-32 - 3/16 Socket Head Screw	2	2	4	4	2	2	
11B	3043200	Knob Hub	2	2	4	4	2	2	
11C	3043300	Retaining Spring	2	2	4	4	2	2	
11D	3043100	Dial	2	2	4	4	2	2	
11E	4512226	Dial Kit - Includes Items: 11A, 11B, 11C, 11D	2	2	4	4	2	2	
12A	3049101	Dial Insert (ON/OFF)	2		4		2		
12B	2309900	Dial Inset		2		4		2	
13A	2149299	Door Assembly 15"	1	1					
	2149296	Door Assembly 30"			1	1	1	1	
13B	4529725	Garland Nameplate 4-7/8"	1	1	1	1	1	1	
14	2149400	Door Hinge Right Hand	1	1	1	1	1	1	
	2149401	Door Hinge Left Hand	1	1	1	1	1	1	
15	2200700	<b>Pilot Right Hand</b>	2	2	4	4	2	2	
	2200704	3/16" Compression Nut	2	2	4	4	2	2	
	2200705	Olive 3/16" Ball Sleeve	2	2	4	4	2	2	
	2200706	Nut Thermo Retaining		2		4		2	
	2200707	Nut Electrode	2	2	4	4	2	2	
	<b>2200708</b>	<b>Electrode</b>	2	2	4	4	2	2	

\* NOT ILLUSTRATED

#### RECOMMENDED STOCK PARTS

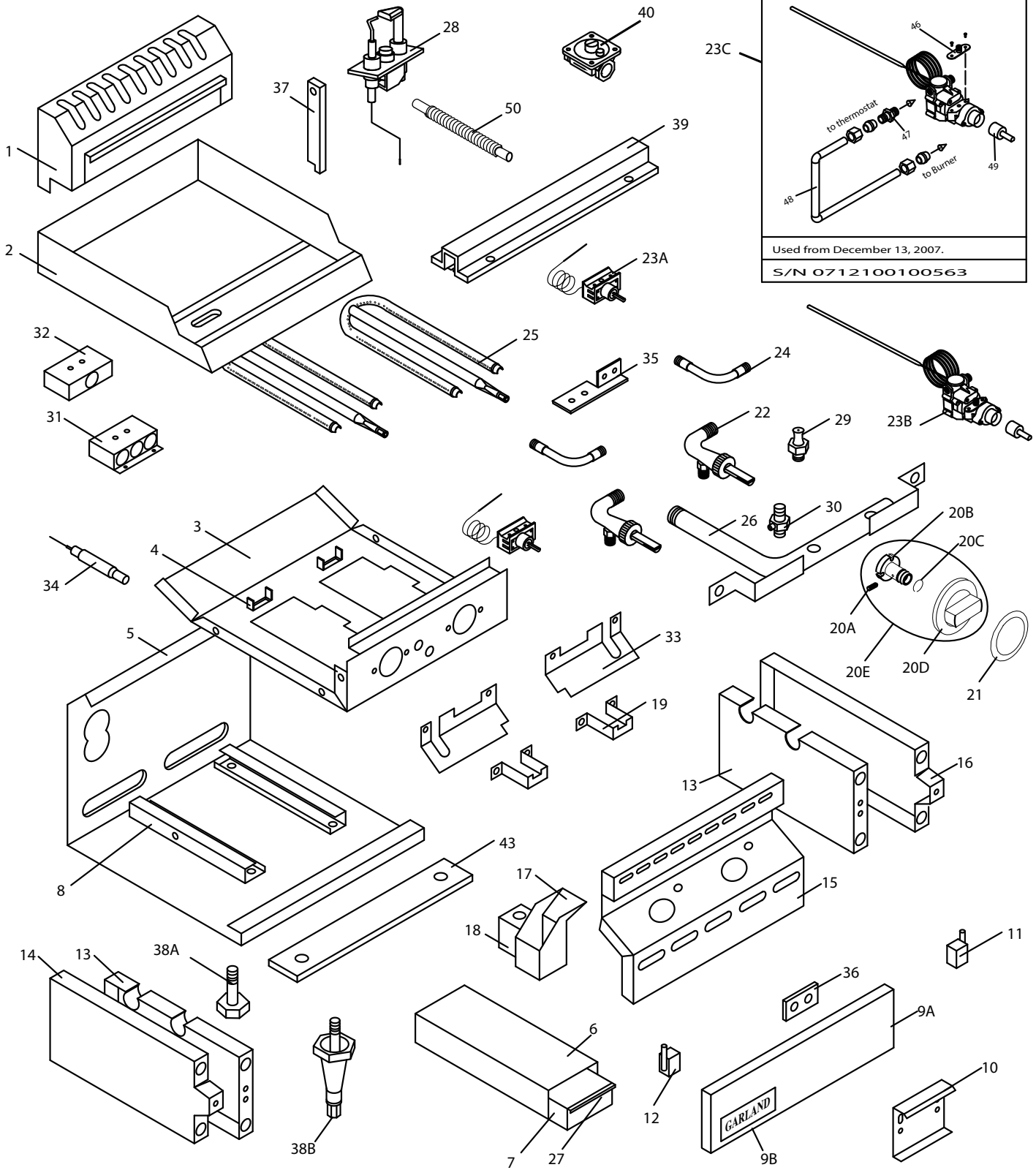
**GARLAND PARTS IDENTIFICATION**  
**Hot Plate - Standard / Flame Failure**

ITEM	PART #	DESCRIPTION	MODEL						CRITICAL
			QUANTITY						
			GD-152H STD	GD-152H FF	GD-304H STD	GD-304-H FF	GD-302H STD	GD-303H FF	
16	2222904	Grease Tray to 10/19/92	1	1	1	1			
	2303100	Grease Tray from 10/19/92					1	1	
	2155700	Grease Tray Slide	2	2	2	2			
	2303000	Grease Tray Slide					2	2	
17	<b>1309201</b>	<b>Piezo Igniter #1244-41</b>	2	2	4	4	2	2	
	2200204	48" High Tension Wire Leads	2	2	4	3	2	2	
18	2284500	Single Ignitor Mounting Bracket	2	2			2	2	
	2296400	Ignition Mounting Bracket			1	1			
19	2308100	Single Ignitor Shield	2	2			2	2	
20	F157	Leveling Bolt-3/8-16X1 1/6"	4	4	4	4	4	4	
21	078109-2	4" Adjustable Metal Leg	4	4	4	4	4	4	
22	<b>2127502</b>	<b>Gas Regular Natural 4.5"</b>	1	1	1	1	1	1	C
	<b>2127500</b>	<b>Gas Regulator Propane 10"</b>	1	1	1	1	1	1	C
	<b>3018200</b>	<b>Regulator Nat 4.5 (R500FM-66) CE Mark Models Only</b>		1		1		1	C
	<b>3018201</b>	<b>Regulator Pro 10.00 (R5210-512) CE Mark Models Only</b>		1		1		1	C
23	<b>2200600</b>	<b>18" Thermocouple</b>		1		1		1	C
	<b>2200602</b>	<b>24" Thermocouple</b>		1		1		1	C
24	2200702	Pilot Orifice #32 (Natural)	2	2	4	4	2	2	
	2200703	Pilot Orifice # 23 (Propane)	2	2	4	4	2	2	
	2200709	Pilot Orifice # 40 (Manufactured)	2	2	4	4	2	2	
25	076050-23	Elbow Compressoin 1/4T x 1/4CC	2	2	4	4	2	2	
26	2198102	Valve Connector Fitting 10 mm		2		4		2	
27	2258900	Body Back & Bottom	1	1					
	2258901	Body Back & Bottom S/S							
	2295600	Body Back & Bottom			1	1			
	2295601	Body Back & Bottom S/S			1	1			
	2302900	Body Back & Bottom					1	1	
	2302901	Body Back & Bottom S/S					1	1	
28	2180699	Body Side Assembly LH Black (Code 9402CG0180)	1	1	1	1	1	1	
	2180698	Body Side Assembly LH S/S (Code 9402CG0180)	1	1	1	1	1	1	
	2349498	Body Side Assembly LH (Code 9402CG0181)	1	1	1	1	1	1	
	2349496	Body Side Assembly LH (Code 9402CG0181)	1	1	1	1	1	1	
29	2180599	Side Assembly RH (Code 9402CG0180)	1	1	1	1	1	1	
	2180598	Side - Right Assembly S/S (Code 9402CG0180)	1	1	1	1	1	1	
	2349499	Body Side Assembly RH (Code 9402CG0181)	1	1	1	1	1	1	
	2349497	Body Side Assembly RH (Code 9402CG0181)	1	1	1	1	1	1	
30*	2203400	Counter Sunk Hex Pipe Plug 1/8" NPT	2	2	4	4	2	2	
31	219700	Side Liner	2	2	2	2	2	2	
	2303200	Side Liner					2	2	
32	2174500	Joiner Tab	2	2	2	2	2	2	
33	2278200	Orifice Mounting Bracket	1	1	2	2			
	2303400	Orifice Mounting Bracket					2	2	
34	2278300	Burner Support	2	2	4	4			
	2303500	Burner Support					2	2	
35	2278400	Pilot Mounting Bracket	2	2	4	4	2	2	
36	2285999	Leg Channel Assembly 15"	2	2					
	2285996	Leg Channel Assembly 30"			2	2	2	2	

\* NOT ILLUSTRATED

**RECOMMENDED STOCK PARTS**

## **NOTES**



23C

to thermostat

to Burner

Used from December 13, 2007.  
 S/N 0712100100563



## GARLAND PARTS IDENTIFICATION

### Gas Griddle

ITEM	PART #	DESCRIPTION	MODEL						CRITICAL
			QUANTITY						
			GD-15G	GD-15GTH	GD-24G	GD-24GTH	GD-36G	GD-36GTH	
1	2248000	Flue Assembly	1	1					
	2247900	Flue Assembly			1	1			
	2247800	Flue Assembly					1	1	
2	2272999	Griddle Assembly GD-15G No Studs	1						
	2272996	Griddle Assembly 15G-U No Studs	1						
	2272998	Griddle Assembly GD-15GTH		1					
	2272997	Griddle Assembly 15GTH-U (Grooved)		1					
	2151099	Griddle Assembly (No Studs)			1				
	2220496	Griddle Assembly 24G-U (Grooved)			1				
	2220495	Griddle Assembly 24G-U1L (Grooved 12" L/H)			1				
	2220494	Griddle Assembly 24G-U1R (Grooved 12" R/H)			1				
	2151098	Griddle Assembly GD-24GTH				1			
	2220493	Griddle Assembly 24GTH-U (Grooved)				1			
	2220492	Griddle Assembly 24GTH-U1L (Grooved 12" L/H)				1			
	2220491	Griddle Assembly 24GTH-U1R (Grooved 12" R/H)				1			
	2151199	Griddle Assembly GD-26G No Studs					1		
	2220594	Griddle Assembly 36G-U (Grooved)					1		
	2220593	Griddle Assembly 36" - (24" Grooved LH)					1		
	2220592	Griddle Assembly 36" - (24" Grooved RH)					1		
	2220591	Griddle Assembly 36G-U1L (Grooved 12" LH)					1		
	2220590	Griddle Assembly 26G-U1R (Grooved 12" RH)					1		
	2151198	Griddle Assembly GD-36GTH						1	
	2220589	Griddle Assembly 36GTH-U (Grooved)						1	
2220588	Griddle Assembly 36GTH-U2L (Grooved 24" LH)						1		
2220587	Griddle Assembly 36GTH-U2R (Grooved 24" RH)						1		
2220595	Griddle Assembly 36GTH-U1L (Grooved 12" LH)						1		
2220596	Griddle Assembly 36GTH-U1R (Grooved 12" RH)						1		
3	2272800	Burner Tray	1	1					
	2196500	Burner Tray (24G)			1	1			
	2196400	Burner Tray (36G)					1	1	
4	2196900	Burner Support	1	1	2	2	1	1	
5	2273200	Body Back and Bottom	1	1					
	2196201	Body Back & Bottom (15G) S/S	1	1					
	2196300	Body Back & Bottom (24G)			1	1			
	2196301	Body Back & Bottom (24G) S/S			1	1			
	2196200	Body Back & Bottom (36G)					1	1	
	2196201	Body Back & Bottom (36G) S/S					1	1	
6	2196100	Grease Tray Cover	1	1	1	1	1	1	
7	2142800	Grease Tray	1	1	1	1	1	1	
8	2155700	Grease Tray Slide	2	2	2	2	2	2	
9A	2149299	Door Assembly 15"	1	1					
	2149297	Door Assembly 24"			1	1			
	2149295	Door Assembly 36"					1	1	
9B	4529725	Garland Nameplate 4-7/8"	1	1	1	1	1	1	
10	2149300	Door Pull	1	1	1	1	1	1	
11	2149400	Door Hinge Right Hand	1	1	1	1	1	1	
12	2149401	Door Hinge Left Hand	1	1	1	1	1	1	
13	2197000	Side Liner	2	2	2	2	2	2	

\* NOT ILLUSTRATED

**RECOMMENDED STOCK PARTS**

## GARLAND PARTS IDENTIFICATION

### Gas Griddle

ITEM	PART #	DESCRIPTION	MODEL						CRITICAL
			QUANTITY						
			GD-15G	GD-15GTH	GD-24G	GD-24GTH	GD-36G	GD-36GTH	
14	2180699	Body Side Assembly LH Black (Code 9402CG0180)	1	1	1	1	1	1	
	2180698	Body Side Assembly LH S/S (Code 9402CG0180)	1	1	1	1	1	1	
	2349498	Body Side Assembly LH (Code 9402CG0181)	1	1	1	1	1	1	
	2349496	Body Side Assembly LH (Code 9402CG0181)	1	1	1	1	1	1	
15	2273000	Control Panel to Code 9402CG0180	1	1					
	2351000	Control Panel 15" From Code 9402CG0181	1	1					
	2198700	Control Panel GD24 To Code 9402CG0180			1	1			
	2350300	Control Panel 24" From Code 9402CG0181			1	1			
	2198800	Control Panel (36G) To Code 9402CG0180					1	1	
	2350400	Control Panel From Code 9402CG0181					1	1	
16	2180599	Side Assembly RH (Code 9402CG0180)	1	1	1	1	1	1	
	2180598	Side - Right Assembly S/S (Code 9402CG0180)	1	1	1	1	1	1	
	2349499	Body Side Assembly RH (Code 9402CG0181)	1	1	1	1	1	1	
	2349497	Body Side Assembly RH (Code 9402CG0181)	1	1	1	1	1	1	
17	2273199	Chute Assembly	1	1					
	2197200	Grease Chute			1	1	1	1	
18	2197100	Chute Mounting Bracket			1	1	1	1	
19	2196600	Orifice Mounting Bracket	1	1	2	2	3	3	
20A	F561	10-32 – 3/16 Socket Head Screw	1	1	2	2	3	3	
20B	3043200	Knob Hub	1	1	2	2	3	3	
20C	3043300	Retaining Spring	1	1	2	2	3	3	
20D	3043100	Dial	1	1	2	2	3	3	
20E	4512226	Dial Kit – Inclued Items: 20A, 20B, 20C, 20D	1	1	2	2	3	3	
21	2225200	Dial Insert (Degrees F)		1		2		3	
	2225400	Dial Insert Celsius		1		2		3	
	2225300	Dial Insert (Hi-Low)		1		2		3	
22	<b>G02599-01</b>	<b>Valve Hi-Lo C/W 90 Degree Elbow</b>	1		2		3		
23A	<b>G0118-02</b>	<b>Thermostat Assembly - Used Up TO Dec 12, 2007 – S/N 0712100100563 - No Longer Available. - Note: Equipmented built UP TO Dec 12, 2007 will require Kit P/N 4523590, item 23C.</b>		1		2		3	C
23B	<b>4523501</b>	<b>Thermostat Assembly Used From Sec 13, 2007</b>		1		2		3	C
23C	<b>4523590</b>	<b>Thermostat BJWA GD Used FROM Dec 13, 2007, serial# 0712100100563</b>		1		2		3	C
24	<b>G02486-44F</b>	<b>Orifice Fitting 44F Natural North America</b>	1	1	2	2	3	3	C
	<b>G02486-55F</b>	<b>Orifice Fitting 55F Propane North America</b>	1	1	2	2	3	3	C
	<b>G02486-XX</b>	<b>Orifice Fitting Special Specified Gas</b>	1	1	2	2	3	3	C
25	<b>G01553-1-6</b>	<b>Burner</b>	1	1	2	2	3	3	C
26	2273399	Manifold Assembly	1	1					
	2220099	Manifold Assembly (24G)			1	1			
	2219999	Manifold Assembly (36G)					1	1	
27	<b>078174-1</b>	<b>Magnetic Door Catch</b>	1	1	1	1	1	1	C
28	<b>2206506</b>	<b>Spark Ignition Pilot Natural</b>	1	1	1	1	1	1	C
	<b>2206507</b>	<b>Spark Ignition Pilot Propane</b>	1	1	1	1	1	1	C
	<b>2206508</b>	<b>Spark Ignition Pilot Manufactured</b>	1	1	1	1	1	1	C

\* NOT ILLUSTRATED

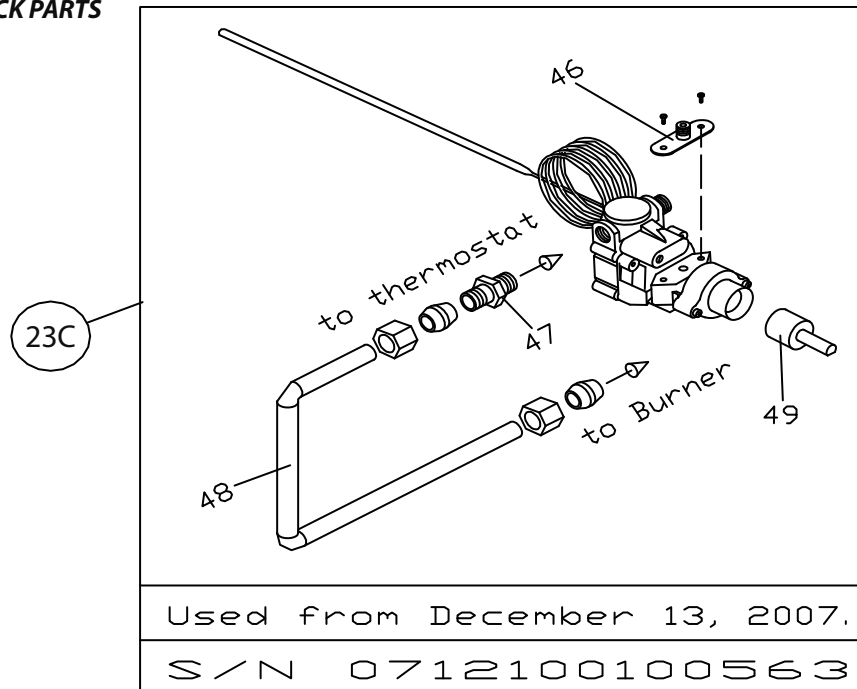
**RECOMMENDED STOCK PARTS**

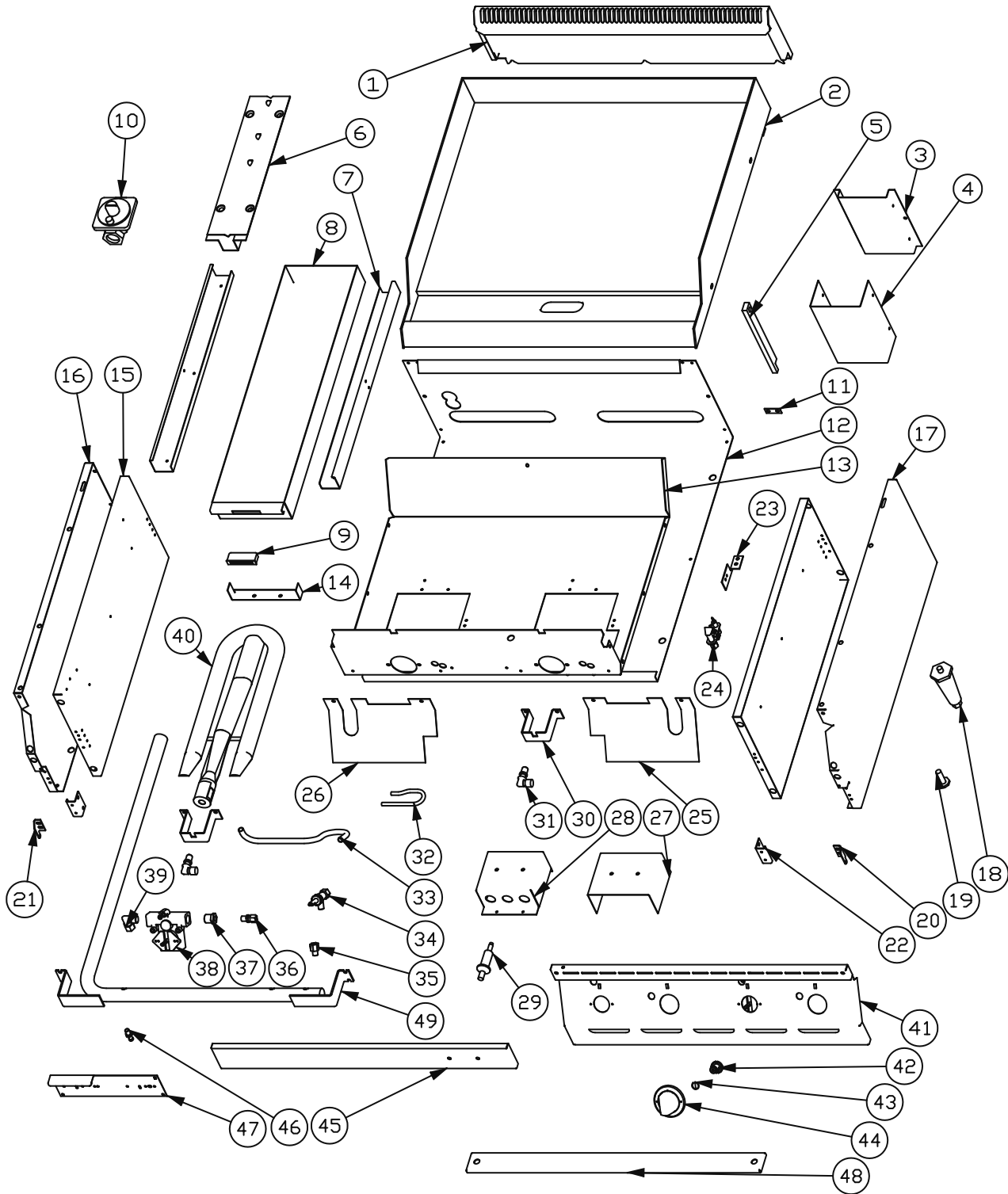
**GARLAND PARTS IDENTIFICATION**  
**Gas Griddle**

ITEM	PART #	DESCRIPTION	MODEL QUANTITY						CRITICAL
			GD-15G	GD-15GTH	GD-24G	GD-24GTH	GD-36G	GD-36GTH	
29	<b>G02251-1</b>	<b>Pressure Test Spigot</b>	1	1	1	1	1	1	C
30	<b>1086597</b>	<b>3/16 Pilot Adjusting Valve</b>	1	1	2	2	3	3	C
31	2284500	Single Ignitor Mounting Bracket	1	1					
	2196700	Ignitor Box F/GD24.36			1	1	1	1	
32	2308100	Single Ignitor Shield	1	1					
	2272000	Ignition Box Cover			1	1	1	1	
33	2248600	Heat Shield L/H			1	1	1	1	
	2248601	Heat Shield R/H			1	1	1	1	
	2248500	Heat Shield R/H					1	1	
34	<b>1309021</b>	<b>Piezo Igniter # 1244-41</b>	1	1	2	2	3	3	C
35	2196800	Pilot Mounting Bracket	2	2	2	2	3	3	
36	2174500	Joiner Tab	2	2	2	2	2	2	
37	G2402-3-5	Top Support Prop	1	1	1	1	1	1	
38A	F157	Leveling Bolt - 3/8-16X1 1/16"	4	4	4	4	4	4	
38B	078109-2	4" Adjustable Metal Leg	4	4	4	4	4	4	
39	1473499	Bulb Clamp & Shield Assembly		1		2		3	
40	<b>2127502</b>	<b>Gas Regulator Natural 4.5"</b>	1	1	1	1	1	1	C
	<b>2127500</b>	<b>Gas Regulator Propane 10"</b>	1	1	1	1	1	1	C
41*	2203400	Counter Sunk Hex Pipe Plug 1/8" NPT	1	1	2	2	3	3	
42*	2309300	RP Mounting Plate	1	1	1	1	1	1	
43	2285995	Leg Channel Assembly 36"					2	2	
	2285997	Leg Channel Assembly 24"			2	2			
	2285999	Leg Channel Assembly 15"	2	2					
46	4523529	Nipple Flange		1		2		3	
47	4523471	Straight Brass Fitting – 1/4" Male NPT, 1/4 Compressing Fitting		2		4		6	
48	4525331	1/4" S/S Flex Tube 6" Long (Block to Valve)	1	1	2	2	3	3	
49	2527700	Knob Stem Adaptor		1		2		3	
50	4525333	3/16" S/S Flex Tubing 13" Long (Gum Valve to Pilot)	1	1	2	2	3	3	

\* NOT ILLUSTRATED

**RECOMMENDED STOCK PARTS**





4519738.dwg

## GARLAND PARTS IDENTIFICATION

### Gas Griddle

ITEM	PART #	DESCRIPTION	MODEL			CRITICAL
			QUANTITY			
			GD-15GTHX	GD-24GTHX	GD-36GTHX	
1	2248000	Flue Assembly	1			
	2247900	Flue Assembly		1		
	2247800	Flue Assembly			1	
2	4518683	15" Griddle Assy	1			
	4518687	15" Griddle Assy Grooved	1			
	4518684	24" Griddle Assy		1		
	4518688	24" Griddle Assy Grooved		1		
	4518691	24" Griddle Assy Grooved 12" Lh		1		
	4518692	24" Griddle Assy Grooved 12" Rh		1		
	4518685	36" Griddle Assy			1	
	4518696	36" Griddle Assy Grooved			1	
	4518697	36" Griddle Assy Grooved 24" Lh			1	
	4518698	36" Griddle Assy Grooved 24" Rh			1	
	4518699	36" Griddle Assy Grooved 12" Lh			1	
4518700	36" Griddle Assy Grooved 12" Rh			1		
3	4518834	Grease Chute Rear		1	1	
4	2197200	Grease Chute Front		1	1	
	4518237	Grease Chute Assy	1			
5	G2402-3-5	Top Support Prop	1	1	1	
6	1473499	Bulb Clamp & Shield Assembly	1	2	3	
7	2155700	Grease Tray Slide	2	2	2	
8	2142800	Grease Tray	1	1	1	
9	078174-1	Magnetic Door Latch	1	1	1	
10	<b>2127502</b>	<b>Gas Regulator Natural</b>	1	1	1	C
	<b>2127500</b>	<b>Gas Regulator Propane</b>	1	1	1	C
11	2174500	Joiner Tab	2	2	2	
12	2273200	Body Back And Bottom	1			
	2196201	Body Back And Bottom S/S	1			
	2196300	Body Back And Bottom		1		
	2196301	Body Back And Bottom S/S		1		
	2196200	Body Back And Bottom			1	
	2196201	Body Back And Bottom S/S			1	
13	2272800	Burner Tray 15"	1			
	2196500	Burner Tray 24"		1		
	2196400	Burner Tray 36"			1	
14	2196900	Burner Support	1	2	3	
15	2197000	Side Liner	1	1	1	
16	2349498	Body Side Assembly Left Pt	1	1	1	
	2349496	Main Side Assembly Left S/S	1	1	1	
17	2349499	Body Side Assembly Right Pt	1	1	1	
	2349497	Main Side Assembly Right S/S	1	1	1	
18	078109-2	4 In Adjustable Metal Leg	4	4	4	
19	F157	Bolt 3/8-16X1 1/16 Leg Level	4	4	4	
20	2149400	Door Hinge Right Hand	1	1	1	
21	2149401	Door Hinge Left Hand	1	1	1	
22	2310400	New FF Manifold Bracket	2	2	2	
23	2196800	Pilot Mounting Bracket	1	2	3	

\* NOT ILLUSTRATED

**RECOMMENDED STOCK PARTS**

## GARLAND PARTS IDENTIFICATION

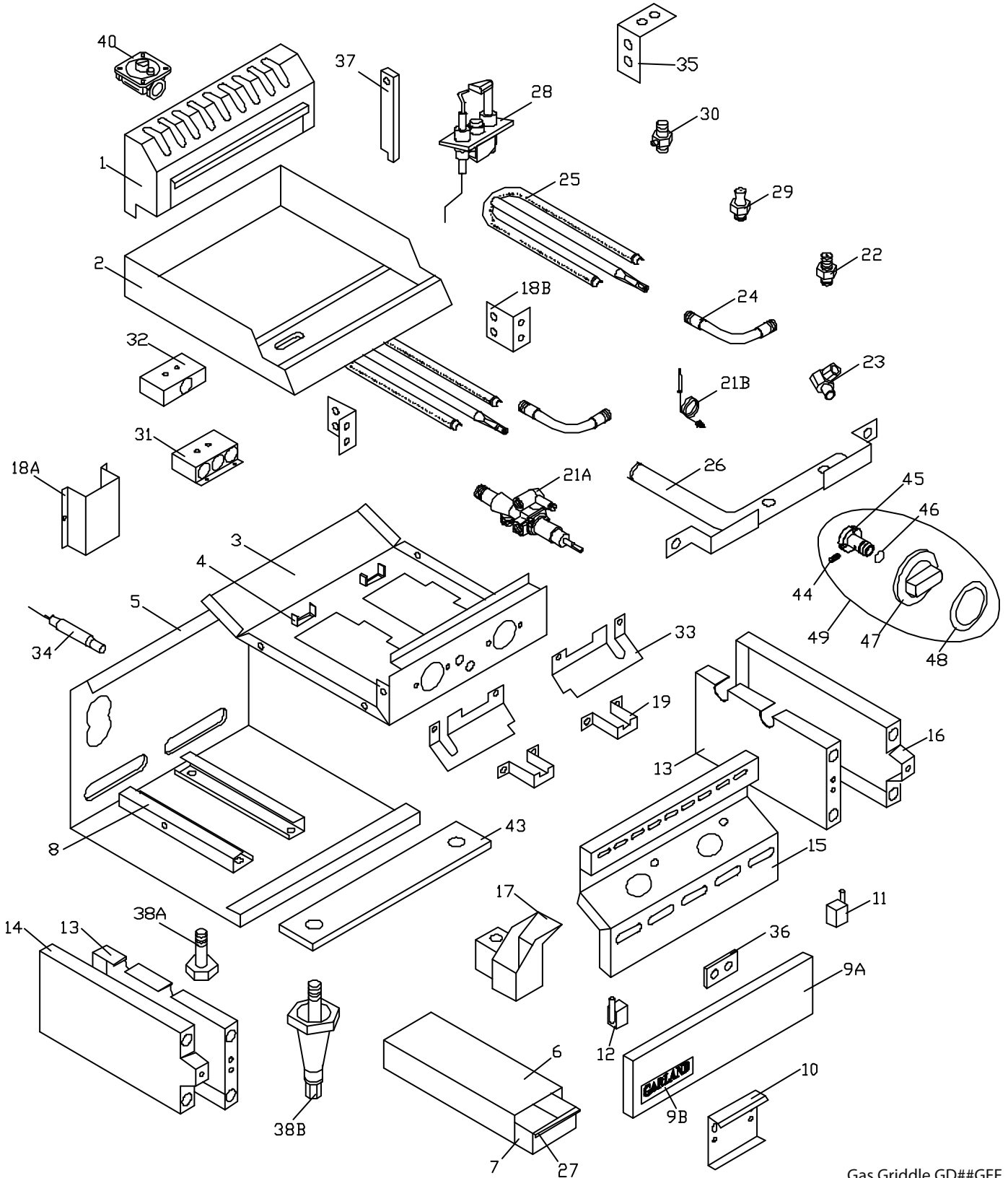
### Gas Griddle

ITEM	PART #	DESCRIPTION	MODEL			CRITICAL
			QUANTITY			
			GD-15GTHX	GD-24GTHX	GD-36GTHX	
24	<b>2206506</b>	<b>Spark Ignition Pilot Natural</b>	1	2	3	C
	<b>2206507</b>	<b>Spark Ignition Pilot Propane</b>	1	2	3	C
25	2248601	Heat Shield Left		1	1	
26	2248500	Heat Shield Right		1		
	2248600	Heat Shield Right			1	
27	2308100	Single Ignitor Shield	1			
	2272000	Ignition Box Cover		1	1	
28	2284500	Single Ignitor Mounting Bracket	1			
	2196700	Ignitor Box F/Gd24.36		1	1	
29	<b>1309021</b>	<b>Piezo Igniter #1244-41</b>	1	2	3	C
30	2196600	Orifice Mounting Bracket	1	2	3	
31	G02486-43F	Orifice Mounting Natural	1	2	3	
	G02486-55F	Orifice Mounting Propane	1	2	3	
32	4518816	1/4" Tube Thermostat-Orifice	1	2	3	
33	4518744	3/8" Tube Valve-Thermostat	1	2	3	
34	227005	Valve Bsr	1	2	3	
35	1086000	1/8 NPT Adapter	1	2	3	
36	076029-144	1/4T X 1/8M Comp. Fit	1	2	3	
37	076050-14	Reducing Bush.3/8 X 1/8	1	2	3	
38	<b>4520830</b>	<b>GS Thermostat – (Snap Action Hydraulic Thermostat)</b>	1	2	3	C
39	076050-26	Elbow Comp. 69-6C.3/8T	1	2	3	
40	G01553-1-6	Burner	1	2	3	
41	4518361	Front Panel 15"	1			
	4518742	Front Panel 24"		1		
	4518743	Front Panel 36"			1	
42	3043200	Hub, Non FF (Valve)	1	2	3	
	3043207	Hub. 1/4In .188 Flat (Thermostat)	1	2	3	
43	3043300	Spring Retainer	2	4	6	
44	3043100	Knob Handle	2	4	6	
45	2149299	Door Assembly 15"	1			
	2149297	Door Assembly 24"		1		
	2149295	Door Assembly 36"			1	
46	G02251-1	Pessure Test Spigot	1	1	1	
47	2149300	Door Pull	1	1	1	
48	2285999	Leg Channel Assembly 15"	2			
	2285997	Leg Channel Assembly 24"		2		
	2285995	Leg Channel Assembly 36"			2	
49	2273399	Manifold Assy 15G	1			
	2220099	Manifold Assy 24G		1		
	2219999	Manifold Assy 36G			1	
50*	4529725	Garland Nameplate 4-7/8"	1	1	1	

\* NOT ILLUSTRATED

**RECOMMENDED STOCK PARTS**

## **NOTES**



Gas Griddle GD##GFF



## GARLAND PARTS IDENTIFICATION

### Gas Griddles - Flame Failure

ITEM	PART #	DESCRIPTION	MODEL			CRITICAL
			QUANTITY			
			GD-15GFF	GD-24GFF	GD-36GFF	
1	2248000	Flue Assembly	1			
	2247900	Flue Assembly		1		
	2247800	Flue Assembly			1	
2	2272999	Griddle Assembly GD-15G No Studs	1			
	2272996	Griddle Assembly 15G-U (Grooved)	1			
	2151099	Griddle Assembly (No Studs)		1		
	2220496	Griddle Assembly 24G-U (Grooved)		1		
	2220495	Griddle Assembly 24G-U1L (Grooved 12" L/H)		1		
	2220494	Griddle Assembly 24G-U1R (Grooved 12" R/H)		1		
	2151199	Griddle Assembly GDG-36G No Studs			1	
	2220594	Griddle Assembly 36G-U (Grooved)				
	2220593	Griddle Assembly 36" - (24" Grooved LH)			1	
	2220592	Griddle Assembly 36" - (24" Grooved RH)				
	2220591	Griddle Assembly 36G-U1L (Grooved 12" LH)				
	2220590	Griddle Assembly 36G-U1R (Grooved 12" RH)				
3	2272800	Burner Tray	1			
	2196500	Burner Tray (24G)		1		
	2196400	Burner Tray (36G)			1	
4	2196900	Burner Support	1	1	3	
5	2273200	Body Back and Bottom	1			
	2273201	Body Back and Bottom (15G) S/S	1			
	2196300	Body Back and Bottom (24G)		1		
	2196301	Body Back and Bottom (24G) S/S		1		
	2196200	Body Back and Bottom (36G)			1	
	2196201	Body Back and Bottom (36G) S/S			1	
6	2196100	Grease Tray Cover	1	1	1	
7	2142800	Grease Tray	1	1	1	
8	2155700	Grease Tray Slide	2	2	2	
9A	2149299	Door Assembly 15"	1			
	2149297	Door Assembly 24"		1		
	2149295	Door Assembly 36"			1	
9B	4529725	Garland Nameplate 4-7/8"	1	1	1	
10	2149300	Door Pull	1	1	1	
11	2149400	Door Hinge Right Hand	1	1	1	
12	2149401	Door Hinge Left Hand	1	1	1	
13	2197000	Side Liner	2	2	2	
14	2180699	Body Side Assembly LH Black (Code 9402CG0180)	1	1	1	
	2180698	Body Side Assembly LH S/S (Code 9402CG0180)	1	1	1	
	2349498	Body Side Assembly LH (Code 9402CG0181)	1	1	1	
	2349496	Body Side Assembly LH (Code 9402CG0181)	1	1	1	
15	2310100	Control Panel to Code 9402CG0180	1			
	2351200	Control Panel From Code 9402CG0181	1			
	2310200	Control Panel to Code 9402CG0180		1		
	2351300	Control Panel from Code 9402CG0181		1		
	2310300	Control Panel to Code 9402CG0180			1	
	2351400	Control Panel from Code 9402CG0181			1	
16	2180599	Side Assembly RH (Code 9402CG0180)	1	1	1	
	2180598	Side - Right Assembly S/S (Code 9402CG0180)	1	1	1	
	2349499	Body Side Assembly RH (Code 9402CG0181)	1	1	1	
	2349497	Body Side Assembly RH (Code 9402CG0181)	1	1	1	

\* NOT ILLUSTRATED

#### RECOMMENDED STOCK PARTS

## GARLAND PARTS IDENTIFICATION

### Gas Griddles - Flame Failure

ITEM	PART #	DESCRIPTION	MODEL			CRITICAL
			QUANTITY			
			GD-15GFF	GD-24GFF	GD-36GFF	
17	2273199	Chute Assembly	1			
	2197200	Grease Chute		1	1	
18A	2197100	Chute Mounting Bracket		1	1	
18B	2310400	New F.F. Manifold Bracket				
19	2196600	Orifice Mounting Bracket	2	2	2	
21A	<b>4601582</b>	<b>Flame Failure Valve</b> Note: Used FROM serial# 1604100101149.	1	2	3	C
21B	<b>2200600</b>	<b>18" Thermocouple</b>	1	2	3	C
22	2198102	Valve Connector Fitting 10 mm	1	2	3	
23	076029-173	45 Deg ST. Elbow 1/8 NPT Brass	1	2	3	
24	<b>G02486-44F</b>	<b>Orifice Fitting 44F Natural North America</b>	1	2	3	C
	<b>G02486-55F</b>	<b>Orifice Fitting 55F Propane North America</b>	1	2	3	C
	<b>G02486-XX</b>	<b>Orifice Fitting Special Specified Gas</b>	1	2	3	C
25	<b>G01553-1-6</b>	<b>Burner</b>	1	2	3	C
26	2273399	Manifold Assembly	1			
	2220099	Manifold Assembly (24G)		1		
	2219999	Manifold Assembly (36G)			1	
27	078174-1	Magnetic Door Catch	1	1	1	
28	<b>2200700</b>	<b>Pilot Right Hand</b>	1	2	3	C
	2200704	3/16" Compression Nut	1	2	3	
	2200705	Olive 3/16" Ball Sleeve	1	2	3	
	<b>2200708</b>	<b>Electrode</b>	1	2	3	C
	2200707	Nut Electrode	1	2	3	
	2200706	Nut Thermo Retaining	1	2	3	
	2200204	48" High Tension Wire Leads	1	2	3	
29	<b>G02251-1</b>	<b>Pressure Test Spigot</b>	1	1	1	C
30	<b>1086597</b>	<b>3/16 Pilot Adjusting Valve</b>	1	2	3	C
31	2284500	Single Ignitor Mounting Bracket	1			
	2196700	Ignitor Box F/GD24.36		1	1	
32	2308100	Single Ignitor Shield	1			
	227200	Ignition Box Cover		1	1	
33	2248600	Heat Shield L/H		1	1	
	2248601	Heat Shield R/H		1		
	2248500	Heat Shield R/H			1	
34	<b>1309201</b>	<b>Piezo Ignitor #1244-41</b>	1	2	3	C
35	2310500	Sit Pilot Bracket	1	2	3	
36	2174500	Joiner Tab	2	2	2	
37	G2402-3-5	Top Support Prop	1	1	1	
38A	F157	Leveling Bolt 3/8-16X1 1/16"	4	4	4	
38B	078109-2	4" Adjustable Matal Leg	4	4	4	

\* NOT ILLUSTRATED

#### RECOMMENDED STOCK PARTS

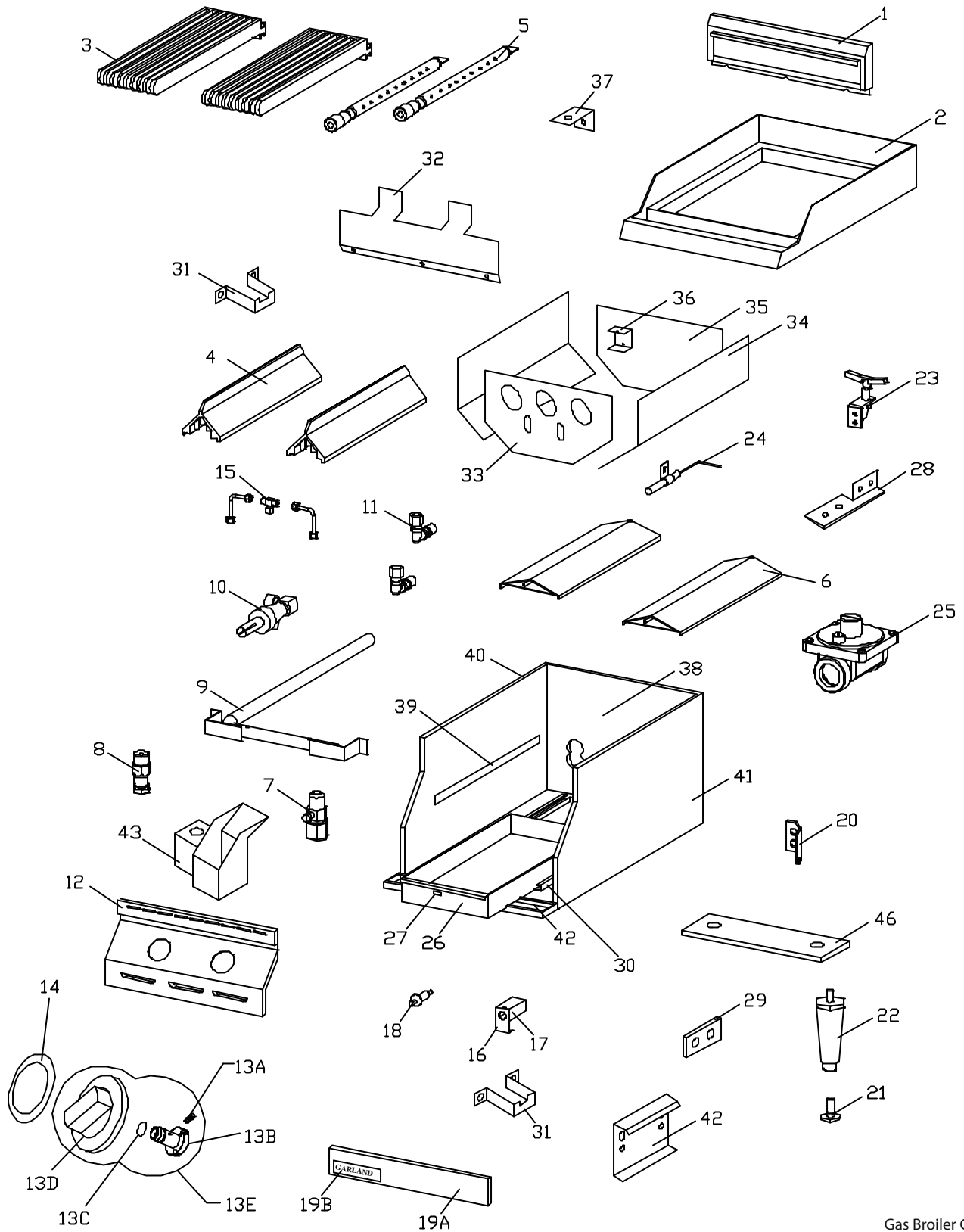
## GARLAND PARTS IDENTIFICATION

### Gas Griddles - Flame Failure

ITEM	PART #	DESCRIPTION	MODEL			CRITICAL
			QUANTITY			
			GD-15GFF	GD-24GFF	GD-36GFF	
40	<b>2127502</b>	<b>Gas Regulator Natural 4.5"</b>	1	1	1	C
	<b>2127500</b>	<b>Gas Regulator Propane 10"</b>	1	1	1	C
	<b>3018200</b>	<b>Regulator Nat. 4.5 (R500FM-66) CE Mark Models Only</b>	1	1	1	C
	<b>3018201</b>	<b>Regualrot Pro. 10.0 (R5210-512) CE Mark Models Only</b>	1	2	2	C
41*	2203400	Counter Sink Hex Pipe Plug 1/8" NPT	1	2	3	
42*	2309300	RP Mounting Plate	1	1	1	
43	2285995	Leg Channel Assembly 36"			2	
	2285997	Leg Channel Assembly 24"		2		
	2285999	Leg Channel Assembly 15"	2			
44	F561	10-32 – 3/16 Socket Head Screw	1	2	3	
45	3043200	Knob Hub	1	2	3	
46	3043300	Retaining Spring	1	2	3	
47	3043100	Dial	1	2	3	
48	2310000	Dial Insert (HI/LO)	1	2	3	
49	4512225	Dial Kit – Included Items: 44, 45, 46, 47, 48	1	2	3	
50*	4525331	1/4" S/S Flex Tube 6" Long (Block to Valve)	1	2	3	
51*	4525332	3/16 SS FLEX TUBE 17LONG (valve to pilot)	1	2	3	

\* NOT ILLUSTRATED

**RECOMMENDED STOCK PARTS**



## GARLAND PARTS IDENTIFICATION

### Broiler /Standard

ITEM	PART #	DESCRIPTION	MODEL				CRITICAL
			QUANTITY				
			GD18RB	GD24RB	GD30RB	GD36RB	
1	2249101	Flue	1				
	2247901	Flue		1			
	2249001	Flue			1		
	2247801	Flue				1	
2	2221599	Main Top Assembly	1				
	2221699	Main Top Assembly		1			
	2221799	Main Top Assembly			1		
	2221899	Main Top Assembly				1	
3	2225000	Cast Iron Top Grates	3	4	5	6	
4	2224900	Cast Iron Radiants	3	4	5	6	
5	<b>2235200</b>	<b>Burner</b>	3	4	5	6	C
6	2305999	Radiant Shield Large		1	2	2	
	2306099	Small Radiant Shield Assembly	2	2	2	2	
7	G6809	Valve - Pilot # 6004-4	2	2	3	3	
8	<b>G02251-1</b>	<b>Pressure Test Spigot</b>	1	1	1	1	C
9	2223499	Manifold Assembly	1				
	2223599	Manifold Assembly		1	1		
	2223699	Manifold Assembly				1	
	2223799	Manifold Assembly				1	
10	<b>G02599-01</b>	<b>Valve HI-LO C/W 90 deg Elbow</b>	2	2	3	3	C
11	<b>G02486-47F</b>	<b>Orifice Fitting Natural North America</b>	3	4	5	6	C
	<b>G02486-1.2mm</b>	<b>Orifice Fitting 1.2mm Propane North America</b>	3	4	5	6	C
	<b>G02486-XX</b>	<b>Orifice Fitting Special Specified Gas</b>	3	4	5	6	C
12	2221100	Control Panel to Code 9402CG0180	1				
	2350500	Control Panel 18 from Code 9402CG0180	1				
	2221200	Control Panel to Code 9402CG0180		1			
	2350600	Control Panel - 24 from Code 9402CG0180		1			
	2221300	Control Panel to Code 9402CG0180			1		
	2350700	Control Panel -30 From Code 9402CG0180			1		
	2221400	Control Panel to Code 9402CG0180				1	
	2350800	Control Panel - 36 From Code 9402CG0180				1	
13A	F561	10-32 – 3/16 Socket Head Screw	2	2	3	3	
13B	3043200	Knob Hub	2	2	3	3	
13C	3043300	Retaining Spring	2	2	3	3	
13D	3043100	Dial	2	2	3	3	
13E	4512226	Dial Kit – Included Items: 13A, 13B, 13C, 13D	2	2	3	3	
14	2225300	Dial Insert (Hi-Low)	2	2	3	3	
15	G02569-1	Compression Tee 1/4" x 1/4" x 1/4"	1	2	2	3	
16	2284500	Single Ignitor Mounting Bracket	2	2	1	1	
	2308200	Double Ignition Mounting Bracket			1	1	
17	2308100	Single Ignitor Shield	2	2	1	1	
	2308300	Double ignition Shield			1	1	
18	<b>1309201</b>	<b>Piezo Igniter #1244-41</b>	2	2	3	3	C
19A	2149298	Door Assembly 18"	1				
	2149297	Door Assembly 24"		1			
	2149296	Door Assembly 30"			1		
	2149295	Door Assembly 36"				1	
19B	4529725	Garland Nameplate 4-7/8"	1	1	1	1	

\* NOT ILLUSTRATED

**RECOMMENDED STOCK PARTS**

## GARLAND PARTS IDENTIFICATION

### Broiler /Standard

ITEM	PART #	DESCRIPTION	MODEL				CRITICAL
			QUANTITY				
			GD18RB	GD24RB	GD30RB	GD36RB	
20	2149400	Door Hinge Right Hand	1	1	1	1	
	2149401	Door Hinge Left Hand	1	1	1	1	
21	F157	Leveling Bolt - 3/6-16X1 1/16"	4	4	4	4	
22	078109-2	4" Adjustable Metal Leg	4	4	4	4	
23	<b>2206400</b>	<b>Pilot Burner Natural</b>	2	2	3	3	C
	<b>2206401</b>	<b>Pilot Burner Propane</b>	2	2	3	3	C
24	<b>G03151-1</b>	<b>Piezo Electrode 16"</b>	2	2	2	2	C
	<b>G03151-5</b>	<b>Piezo Electrode 28"</b>			1	1	C
25	<b>2127501</b>	<b>Gas Regulator Natural 4.5"</b>	1	1	1	1	C
	<b>2127500</b>	<b>Gas Regulator Propane 10"</b>	1	1	1	1	C
26	2222900	Grease Tray	1				
	2222901	Grease Tray		1			
	2222902	Grease Tray			1		
	2222903	Grease Tray				2	
27	<b>078174-1</b>	<b>Magnetic Door Catch</b>	1	1	1	1	C
28	2230700	Pilot Mounting Bracket	2	2	3	3	
29	2174500	Joiner Tab	2	2	2	2	
30	2155700	Grease Tray Slide	2	2	2	4	
31	2196600	Orifice Mounting Bracket	3	4	5	6	
32	2306503	Pilot Shield	1				
	2306502	Pilot Shield		1			
	2306501	Pilot Shield			1		
	2306500	Pilot Shield				1	
33	2235399	Hopper Front Assembly	1				
	2235699	Hopper Front Assembly		1			
	2235599	Hopper Front Assembly			1		
	2235699	Hopper Front Assembly				1	
34	2230600	Hopper Side	2	2		2	
	2304100	Hopper Side			2		
36	2236500	Radiant Support	2	4	5	6	
37	2306300	Shield Support	2	3	4	5	
38	2223000	Body Back and Bottom	1				
	2223001	Body Back and Bottom S/S	1				
	2223100	Body Back and Bottom		1			
	2223101	Body Back and Bottom S/S		1			
	2223200	Body Back and Bottom			1		
	2223201	Body Back and Bottom S/S			1		
	2223300	Body Back and Bottom				1	
39	2197000	Side Liner	2	2	2	2	
40	2180699	Body Side Assembly LH Black (Code 9402CG0180)	1	1	1	1	
	2180698	Body Side Assembly LH S/S (Code 9402CG0180)	1	1	1	1	
	2349498	Body Side Assembly LH (Code 9402CG0181)	1	1	1	1	
	2349496	Body Side Assembly LH (Code 9402CG0181)	1	1	1	1	

\* NOT ILLUSTRATED

#### **RECOMMENDED STOCK PARTS**

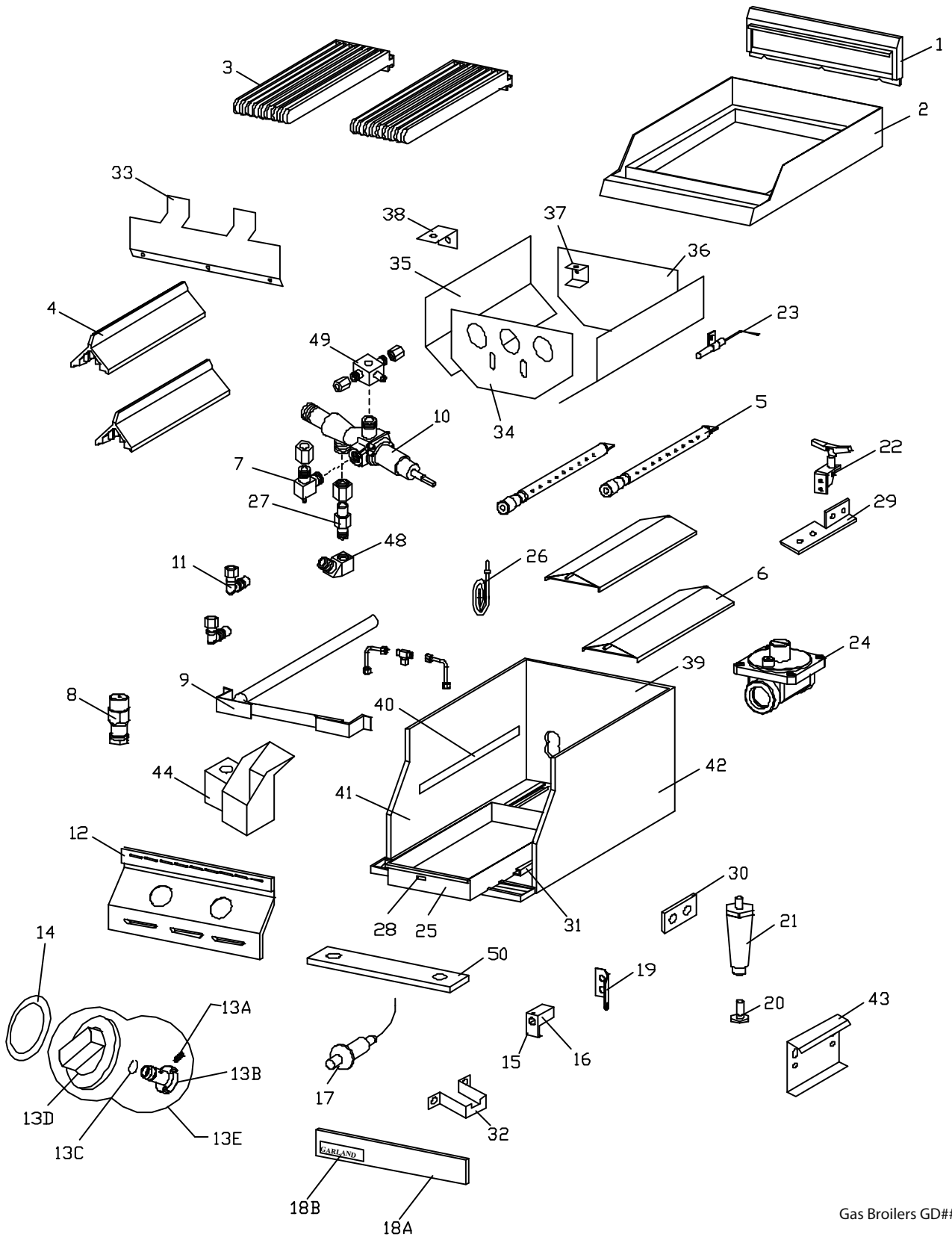
## GARLAND PARTS IDENTIFICATION

### Broiler /Standard

ITEM	PART #	DESCRIPTION	MODEL				CRITICAL
			QUANTITY				
			GD18RB	GD24RB	GD30RB	GD36RB	
41	2180599	Side Assembly RH (Code 9402CG0180)	1	1	1	1	
	2189598	Side - Right Assembly S/S (Code 9402CG0180)	1	1	1	1	
	2349399	Body Side Assembly RH (Code 9402CG0181)	1	1	1	1	
	2349497	Body Side Assembly RH (Code 9402CG0181)	1	1	1	1	
42	2149300	Door Pull	1	1	1	1	
43	2305699	Grease Chute Assembly	1				
	2332100	Grease Chute		1	1	1	
	2332200	Chute Mounting Bracket		1	1	1	
44*	2203400	Counter Sunk Hex Pipe Plug 1/8" NPT	2	2	3	3	
45*	2309300	RP Mounting Plate	1	1	1	1	
46	2285995	Leg Channel 36"				2	
	2285996	Leg Channel 30"			2		
	2285997	Leg Channel 24"		2			
	2285998	Leg Channel 18"	2				
47*	4525331	1/4" S/S Flex Tube 6" Long (Gum Valve to Pilot)	5	6	8	9	

\* NOT ILLUSTRATED

**RECOMMENDED STOCK PARTS**



Gas Broilers GD#RBFF



**GARLAND PARTS IDENTIFICATION**  
**Broiler - Flame Failure/ Standard - RBFF**

ITEM	PART #	DESCRIPTION	MODEL				CRITICAL
			QUANTITY				
			GD18RBFF	GD24RBFF	GD30RBFF	GD36RBFF	
1	2249101	Flue	1				
	2247901	Flue		1			
	2249001	Flue			1		
	2247801	Flue				1	
2	2221599	Main Top Assembly	1				
	2221699	Main Top Assembly		1			
	2221899	Main Top Assembly			1		
3	2225000	Cast Iron Top Grates	3	4	5	6	
4	2224900	Cast Iron Radiants	3	4	5	6	
5	<b>2235200</b>	<b>Burner</b>	3	4	5	6	C
6	2305999	Radiation Shield Large		1	2	2	
	2306099	Small Radiant Shield Assembly	2	2	2	3	
7	<b>G03674-3</b>	<b>Valve - Pilot 1/4" Angle 90 Deg</b>	2	2	3	3	C
8	<b>G02251-1</b>	<b>Pressure Test Spigot</b>	1	1	1	1	C
9	2223499	Manifold Assembly	1				
	2223599	Manifold Assembly		1			
	2223699	Manifold Assembly			1		
	2223799	Manifold Assembly				1	
10	<b>CK4601579</b>	<b>Flame Failure Valve Assembly</b> (Kit incl. Valve 4601582 + TEE Assembly)	1	2	2	3	C
	<b>4601582</b>	<b>Flame Failure Valve</b> Note: Used FROM serial# 1604100101149.			1		C
11	<b>G92486-49F</b>	<b>Orifice Fitting Natural - North America</b>	3	4	5	6	C
	<b>G02486-1.1MM</b>	<b>Orifice Fitting Propane (MF 1.2MM)</b>	3	4	5	6	C
	<b>G02486-XX</b>	<b>Orifice Fitting Special Specified Gas</b>	3	4	5	6	C
12	2321500	Control Panel to Code 9402CG0180	1				
	2393000	Control Panel - 18 From Code 9402CG0181	1				
	2321600	Control Panel FF To Code 9402CG0180		1			
	2351500	Control Panel - 24 From Code 9402CG0181		1			
	2321700	Control Panel FF To Code 9402CG0180			1		
	2351600	Control Panel - 30 From Code 9402CG0181			1		
	2321800	Control Panel FF To Code 9402CG0180				1	
	2351700	Control Panel -36RB-FF From Code 9402CG0181				1	
13A	F561	10-32 – 3/16 Socket Head Screw	2	2	3	3	
13B	3043200	Knob Hub	2	2	3	3	
13C	3043300	Retaining Spring	2	2	3	3	
13D	3043100	Dial	2	2	3	3	
13E	4512225	Dial Kit – Includes Items: 13A, 13B, 13C, 13D, 14	2	2	3	3	
14	2310000	Dial Insert (HI/LO)	2	2	3	3	
15	2284500	Single Ignitor Mounting Bracket			1	1	
	2308200	Double Ignition Mounting Bracket	1	1	1	1	
16	2308100	Single Ignitor Shield			1	1	
	2308300	Double Igniter Shield	1	1	1	1	
17	<b>1309201</b>	<b>Piezo Igniter #1244-41</b>	2	2	3	3	C
18A	2149298	Door Assembly 18"	1				
	2149297	Door Assembly 24"		1			
	2149296	Door Assembly 30"			1		
	2149295	Door Assembly 36"				1	
18B	4529725	Garland Nameplate 4-7/8"	1	1	1	1	

\* NOT ILLUSTRATED

**RECOMMENDED STOCK PARTS**

**GARLAND PARTS IDENTIFICATION**  
**Broiler - Flame Failure/ Standard - RBFF**

ITEM	PART #	DESCRIPTION	MODEL QUANTITY				CRITICAL
			GD18RBFF	GD24RBFF	GD30RBFF	GD36RBFF	
19	2149400	Door Hinge Right Hand	1	1	1	1	
	2149401	Door Hinge Left Hand	1	1	1	1	
20	F157	Leveling Bolt - 3/8-16X1 1/16"	4	4	4	4	
21	078109-2	4" Adjusting Metal Leg	4	4	4	4	
22	<b>2206400</b>	<b>Pilot Burner Natural</b>	2	2	3	3	C
	<b>2206401</b>	<b>Pilot Burner Propane</b>	2	2	3	3	C
23	<b>G03151-1</b>	<b>Piezo Electrode 16"</b>	2	2	2	2	C
	<b>G03151-5</b>	<b>Piezo Electrode 28"</b>			1	1	C
24	<b>2127502</b>	<b>Gas Regulator Natural 4.5"</b>	1	1	1	1	C
	<b>2127500</b>	<b>Gas Regulator Propane</b>	1	1	1	1	C
	<b>3018200</b>	<b>Regulator Nat 4.5 (R599FM-66) CE Mark Model Only</b>	1	1	1	1	C
	<b>3018201</b>	<b>Regulator Pro 10.0 (R5210-512) CD Mark Model Only</b>	1	1	1	1	C
25	2222900	Grease Tray	1				
	2222901	Grease Tray		1			
	2222902	Grease Tray			1		
	2222903	Grease Tray				2	
26	<b>2321900</b>	<b>Thermocouple</b>	2	2	3	3	C
	2155202	M8 x 1 Brass Nut	4	4	6	6	
27	2198102	Valve Connector Fitting 10mm	2	2	3	3	
28	<b>078174-1</b>	<b>Magnetic Door Catch</b>	1	1	1	1	C
29	2230700	Pilot Mounting Bracket	2	2	3	3	
30	2174500	Joiner Tab	2	2	2	2	
31	2155700	Grease Tray Slide	2	2	2	4	
32	2196600	Orifice Mounting Bracket	3	4	5	6	
33	2306503	Pilot Shield	1				
	2306502	Pilot Shield		1			
	2306501	Pilot Shield			1		
	2306500	Pilot Shield				1	
34	2235399	Hopper Front Assembly	1				
	2235499	Hopper Front Assembly		1			
	2235599	Hopper Front Assembly			1		
	2235699	Hopper Front Assembly				1	
35	2230600	Hopper Side	2	2		2	
	2304100	Hopper Side			2		
36	2235700	Hopper Rear	1				
	2235800	Hopper Rear		1			
	2235900	Hopper Rear			1		
	2236000	Hopper Rear				1	
37	2236500	Radiant Support	2	4	5	6	
38	2306300	Shield Support	2	3	4	5	
39	2223000	Body Back and Bottom	1				
	2223001	Body Back and Bottom S/S	1				
	2223100	Body Back and Bottom		1			
	2223101	Body Back and Bottom S/S		1			
	2223200	Body Back and Bottom			1		
	2223201	Body Back and Bottom S/S			1		
	2223300	Body Back and Bottom				1	
2223301	Body Back and Bottom S/S				1		

\* NOT ILLUSTRATED

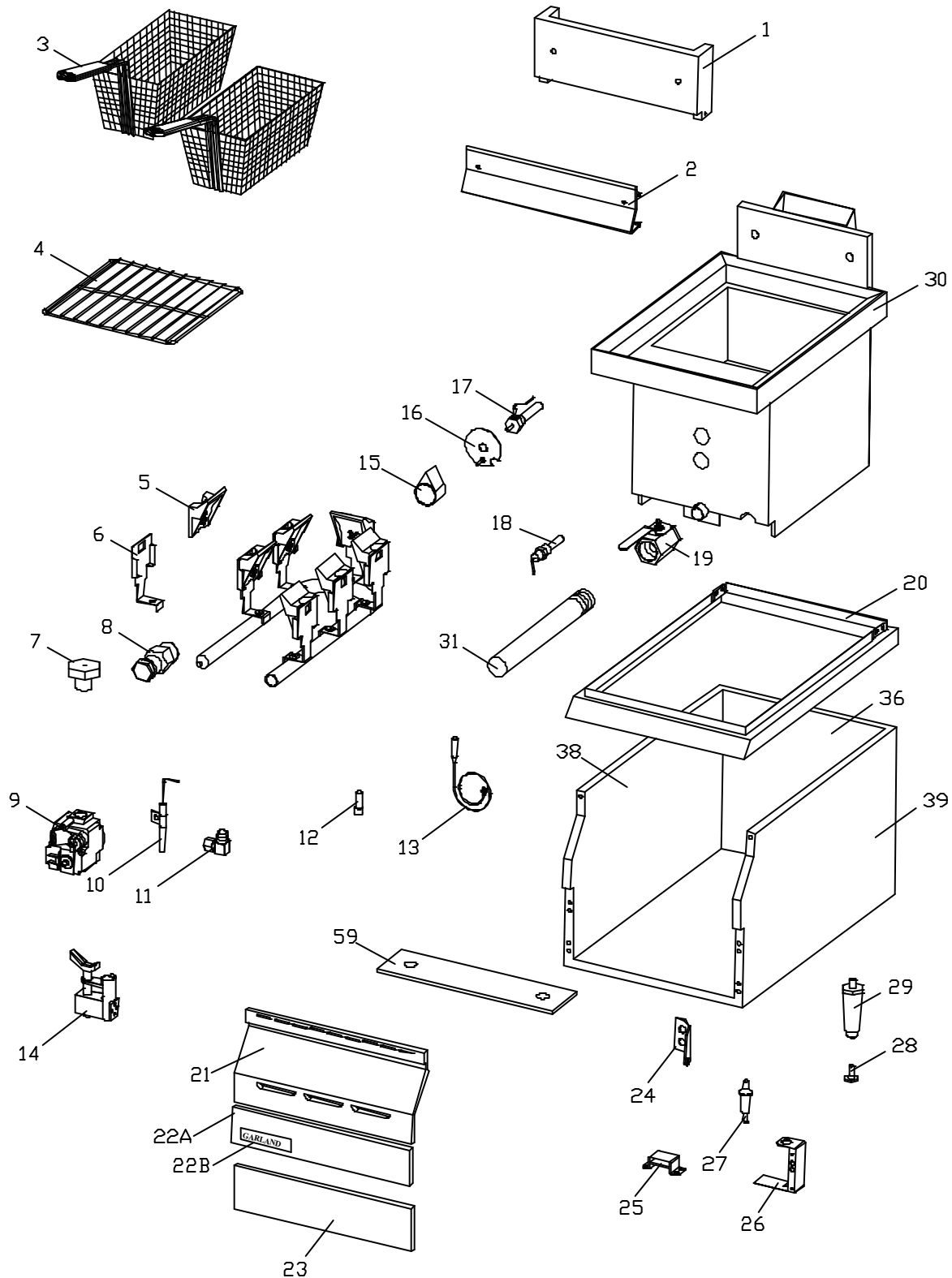
**RECOMMENDED STOCK PARTS**

**GARLAND PARTS IDENTIFICATION**  
**Broiler - Flame Failure/ Standard - RBFF**

ITEM	PART #	DESCRIPTION	MODEL				CRITICAL
			QUANTITY				
			GD18RBFF	GD24RBFF	GD30RBFF	GD36RBFF	
40	2197000	Side Liner	2	2	2	2	
41	2180699	Body Side Assembly LH Black (Code 9402CG0180)	1	1	1	1	
	2180698	Body Side Assembly LH S/S (Code 9402CG0180)	1	1	1	1	
	2349498	Body Side Assembly LH (Code 9402CG0181)	1	1	1	1	
	2349496	Body Side Assembly LH (Code 9402CG0181)	1	1	1	1	
42	2180599	Side Assembly RH - Black (Code 9402CG0180)	1	1	1	1	
	2180598	Side - Right Assembly S/S (Code 9402CG0180)	1	1	1	1	
	2349499	Body Side Assembly RH (Code 9402CG0181)	1	1	1	1	
	2349497	Body Side Assembly RH (Code 9402CG0181)	1	1	1	1	
43	2149300	Door Pull	1	1	1	1	
44	2321299	Grease Chute Assembly	1				
	2332100	Grease Chute		1	1	1	
	2332200	Chute Mounting Bracket		1	1	1	
45*	2203400	Counter Sunk Hex Pipe Plug 1/8" NPT	2	2	3	3	
46*	2310400	New F.F. Manifold Bracket	2	2	2	2	
47*	2309300	RP Mounting Plate	1	1	1	1	
48	076029-173	45 Deg St. Elbow 1/8 NPT Brass	1	2	2	3	
49	2325000	Orifice Block	1	2	2	3	
50	2285995	Leg Channel Assembly 36"				2	
	2285996	Leg Channel Assembly 30"			2		
	2285997	Leg Channel Assembly 24"		2			
	2285998	Leg Channel Assembly 18"	2				

\* NOT ILLUSTRATED

**RECOMMENDED STOCK PARTS**



## GARLAND PARTS IDENTIFICATION

### Fryer Model GD-15F

ITEM	PART #	DESCRIPTION	QUANTITY	CRITICAL
1	2300100	Front Flue Enclosure	1	
	2300399	Rear Flue Enclosure Assembly	1	
2	F803-0028	Basket Hangers MJ35	1	
3	<b>F041-1</b>	<b>Twin Basket</b>	2	C
4	F803-0030	Basket Rack Type Support MJ15	1	
5	F814-0034	Ceramic Target	7	
6	F910-1465	Deflector Bracket Support (Single)	7	
	F816-0073	Insulation, Deflector Support 1.75" x >75"	7	
	F806-4720SP	Deflector Support Assembly (Complete)	7	
7	<b>F810-0131</b>	<b>Orifice Main Burner #55 Natural</b>	7	C
	<b>F810-0140</b>	<b>Orifice Main Burner Propane</b>	7	C
8	<b>G02251-1</b>	<b>Pressure Test Spigot</b>	1	C
9	<b>F807-1603</b>	<b>Honeywell Gas Valve Natural From Code 9908EF</b>	1	C
	<b>F807-1604</b>	<b>Honeywell Gas Valve Propane From Code 9908EF</b>	1	C
	<b>F826-1579</b>	<b>Gas Valve 1/2" Natural Valve for Fryer Manufactured Prior to Code 9908EF</b>	1	C
	<b>F826-1580</b>	<b>Gas Valve 1/2" LP Valve for Fryer Manufactured Prior to Code 9908EF</b>	1	C
10	<b>G03151-1</b>	<b>Piezo Electrode 16"</b>	1	C
11	<b>F810-0149</b>	<b>Pilot Orifice Right Angle (Natural)</b>	1	C
	<b>F810-0148</b>	<b>Pilot Orifice Propane</b>	1	C
12	F810-0425	Pilot Adapter For Thermopile	1	
13	F810-01162	Thermopile (Thread Screw In) To March 1996	1	
	F810-0617-1	Thermopile (With Wire Leads) From March 1996	1	
14	<b>F810-0426</b>	<b>Pilot Burner Natural (Swivel Orifice)</b>	1	
	<b>F810-0427</b>	<b>Pilot Burner Generator Propane</b>	1	
15	<b>G02532-1</b>	<b>Thermostat Knob Fenwall</b>	1	
16	<b>F806-0087</b>	<b>Fenwall, Dial Plate Operating Thermostat</b>	1	
17	F806-0184	Operating Thermostat	1	
18	F826-1177	Hi-Limit Kit	1	
19	F810-1338	Drain 1" Universal Ball Valve	1	
20	2259799	Main Top Assembly	1	
21	2259900	Control Panel	1	
22A	2149299	Door Assembly Enamelled 15"	1	
22B	4529725	Garland Nameplate 4-7/8"	1	
23	2293399	Lower Front Panel Assembly	1	
24	2149400	Door Hinge Right Hand	2	
	2149401	Door Hinge Left Hand	2	
25	<b>G03146-1</b>	<b>Magnetic Door Catch #590</b>	1	C
26	2271400	Piezo Mounting Bracket	1	
27	<b>1309201</b>	<b>Piezo Igniter #1244041</b>	1	C
28	F157	Leveling Bolt-3/8-16X1 1/16"	4	
29	078109-2	4" Adjustable Metal Leg	4	
30	F806-149SP	Frypot Assembly CR Steel	1	
	F806-19491SP	Frypot Assembly Stainless Steel	1	
	F823-1675SP	Frypot Only CR Steel	1	
	F823-16751SP	Frypot Only Stainless Steel	1	
	F806-0283	Pot Front Baffle Assembly MJ15/JC	1	
	F806-0277	Flue Assembly	1	
	F812-0132	Insulation Front Baffle 9.65" x 12.25"	1	
	F812-0130	Insulation Flue 12.31" x 17.38"	1	
31	F806-0496	Pot Side Baffle Assembly	2	
	F813-0276	1" Drain Pipe	1	
32*	F809-0171	Basket Hanger Screw	2	

\* NOT ILLUSTRATED

#### RECOMMENDED STOCK PARTS

## GARLAND PARTS IDENTIFICATION

### Fryer Model GD-15F

ITEM	PART #	DESCRIPTION	QUANTITY	CRITICAL
33*	<b>F810-0109</b>	<b>Knobs For Gas Valves</b>	1	C
	<b>F819-0975</b>	<b>Knob For Honeywell Valve</b>	1	C
34*	<b>F807-1849</b>	<b>Regulator Kit Valve Natural, Honeywell</b>	1	C
	<b>F807-1846</b>	<b>Regulator Kit Valve Propane, Honeywell</b>	1	C
35*	F826-1351	1/4 - 20 Nut Retainer (PKG10)	2	
36	2259600	Body Back and Bottom	1	
	2259601	Body Back and Bottom S/S	1	
37*	2300200	Main Bottom F/GD-15CF	1	
38	2259897	Left Hand Side Assembly	1	
	2259896	Left Hand Side Assembly S/S	1	
39	2259899	Right Hand Side Assembly	1	
	2259898	Right Hand Side Assembly S/S	1	
40*	2271200	Front Bottom Stiffener	1	
41*	2300400	Upper Magnet Mounting Bracket	1	
42*	2302600	Control Support Bracket	1	
43*	2332700	Door Linkage Support Bracket	1	
44*	2332800	Linkage and drain Support Bracket	1	
45*	2332900	Door Linkage	1	
46*	2295400	Tank Holdown Bracket	1	
47*	G01517-1	Valve-Swing Type Shut Off Gas	1	
48*	G01474-2	Elbow - 1/2 NPT	2	
49*	G01475-1	Elbow - Street 1/2" NPT 90 Deg	1	
50*	G01477-2	Nipple 1/2"NPT x 4-1/8" Raw	1	
51*	G01477-3	Nipple 1/2" NPT x 2" Raw	1	
52*	G01477-4	Nipple 1/2" NPT x 2-1/2" Raw	1	
53*	G01477-5	Nipple 1/2" NPT x 7,250" LG	1	
54*	G01477-6	Nipple 1/2" NPT x 20" LG	1	
55*	G01736-1	Nipple Close 1/2" NPT	2	
56*	G01739-1	Union 1/2 NPT To 1/2 NPT	2	
57*	F813-0068	Elbow 3/4" NPT x 1/2" NPT	1	
58*	F810-0691	Tube Vent H50	1	
59	2285999	Leg Channel Assembly 15"	2	

\* NOT ILLUSTRATED

**RECOMMENDED STOCK PARTS**

### Revision History

REV	PAGE #	ITEM #	NOTE	DATE
12	8		New Drawing - Item #50 Added	Aug 21/09
	11	48	Part Number Replaced - Was 4523473 (Tube - 1/4" Aluminum)	
		50	New Part Number Added	
13	8		New Drawing	Apr 28/10
	10	23C	New item number - was item # 43.	
14	18	21A	New FF valve, was 2200194 ECO-000437	Apr 18/16
	25	10	New FF valve, were 2200197 / 2200194. ECO-000437	
			New Garland nameplate, 4529725, was 3077101	
			Added flex tube part numbers 4525331, 4525332, 4525333. Most are missing in parts tables.	
			Corrected a number of model numbers. Were incorrect.	
15	18, 25	21A, 10	Added serial# info.	Jun 23/16



1-844-724-CARE • [www.mtwkitchencare.com](http://www.mtwkitchencare.com)