



INSTALLATION AND OPERATION MANUAL

GARLAND GF SENTRY SERIES GAS RESTAURANT RANGES



All 24, 36, 48, & 60-inch wide models.



Français Page 21
Español Página 43

FOR YOUR SAFETY:
DO NOT STORE OR USE GASOLINE
OR OTHER FLAMMABLE VAPORS OR
LIQUIDS IN THE VICINITY OF
THIS OR ANY OTHER
APPLIANCE

WARNING:
IMPROPER INSTALLATION, ADJUSTMENT,
ALTERATION, SERVICE OR MAINTENANCE
CAN CAUSE PROPERTY DAMAGE, INJURY,
OR DEATH. READ THE INSTALLATION,
OPERATING AND MAINTENANCE
INSTRUCTIONS THOROUGHLY
BEFORE INSTALLING OR
SERVICING THIS EQUIPMENT

PLEASE READ ALL SECTIONS OF THIS MANUAL
AND RETAIN FOR FUTURE REFERENCE.

THIS PRODUCT HAS BEEN CERTIFIED AS
COMMERCIAL COOKING EQUIPMENT AND
MUST BE INSTALLED BY PROFESSIONAL
PERSONNEL AS SPECIFIED.

IN THE COMMONWEALTH OF MASSACHUSETTS
THIS PRODUCT MUST BE INSTALLED BY A
LICENSED PLUMBER OR GAS FITTER.

For Your Safety:
Post in a prominent location, instructions to be
followed in the event the user smells gas. This
information shall be obtained by consulting
your local gas supplier.

Users are cautioned that maintenance and repairs must be performed by a Garland authorized service agent using genuine Garland replacement parts. Garland will have no obligation with respect to any product that has been improperly installed, adjusted, operated or not maintained in accordance with national and local codes or installation instructions provided with the product, or any product that has its serial number defaced, obliterated or removed, or which has been modified or repaired using unauthorized parts or by unauthorized service agents. For a list of authorized service agents, please refer to the Garland web site at <http://www.garland-group.com>. The information contained herein, (including design and parts specifications), may be superseded and is subject to change without notice.

Garland Commercial Ranges, Ltd.
1177 Kamato Road, Mississauga, Ontario L4W 1X4 CANADA
Phone: 905-624-0260
Fax: 905-624-5669

General Inquires 1-95-624-0260
USA Sales, Parts and Service 1-800-424-2411
Canadian Sales 1-888-442-4526
Canada or USA Parts/Service 1-800-427-6668



IMPORTANT INFORMATION

WARNING:

This product contains chemicals known to the State of California to cause cancer and/or birth defects or other reproductive harm. Installation and servicing of this product could expose you to airborne particles of glass wool/ceramic fibers. Inhalation of airborne particles of glass wool/ceramic fibers is known to the State of California to cause cancer. Operation of this product could expose you to carbon monoxide if not adjusted properly. Inhalation of carbon monoxide is known to the State of California to cause birth defects or other reproductive harm.

Keep appliance area free and clear of combustibles.

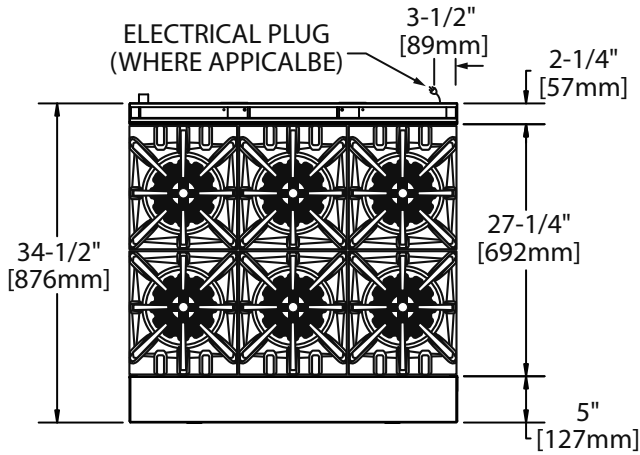
TABLE OF CONTENTS

IMPORTANT INFORMATION.....	2	Final Preparation.....	12
DIMENSIONS AND SPECIFICATIONS	4	Optional Interconnect Gas Kit	12
Base Model Designations & Total Input Rates ..	5	TESTING AND ADJUSTMENT	13
Clearances.....	5	Testing	13
Gas Pressure & Individual Burner Input Rates ..	6	OPERATION.....	14
North America	6	Flame Failure Technology	14
CE & General Export.....	6	How Flame Failure Technology Works.....	14
Reduced Input Rates	6	Burner Operation	14
Note: Manifold pressure is to measured at the		Open Top burners	14
test spigot located on the 3/4" gas manifold		Hot Tops and Front-Fired Target Tops	15
pipe.....	6	Ovens (Standard)	15
Australia	7	Convection Ovens	16
Gas Inlet Size	7	Thermostat Controlled Griddles	17
CE Approved Gas Categories	7	Griddle/Broiler.....	17
INTRODUCTION.....	8	Range Shut down.....	17
Rating Plate.....	8	PRODUCT APPLICATION INFORMATION 18	
Safety Information	8	General.....	18
INSTALLATION	9	Open Burners.....	18
Siting.....	9	Hot Tops.....	18
Appliances Equipped With Casters.....	9	MAINTENANCE AND CLEANING	19
Appliances Equipped With Legs	9	Seasoning	19
Installing Shelf To Backguard	9	Griddle	19
Backguard With High Shelf Or Salamander		Cast Iron top Grates	19
Mounting Instructions	9	Stainless Steel	19
Ventilation Air	10	Oven Interior (Porcelain Enamel).....	19
Statutory Regulations	11	Open Top Burners	19
Australia Specific Clause.....	11	Cast Iron Top & Grates.....	20
Electrical Connection Settings		Hot Tops and Front-Fired Target Hot Tops	20
(Where Applicable)	11	Griddle.....	20
Gas Connection.....	11		

DIMENSIONS AND SPECIFICATIONS

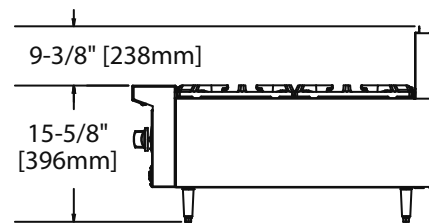
Top View

Model widths vary depending on model series.
(See Chart on left)



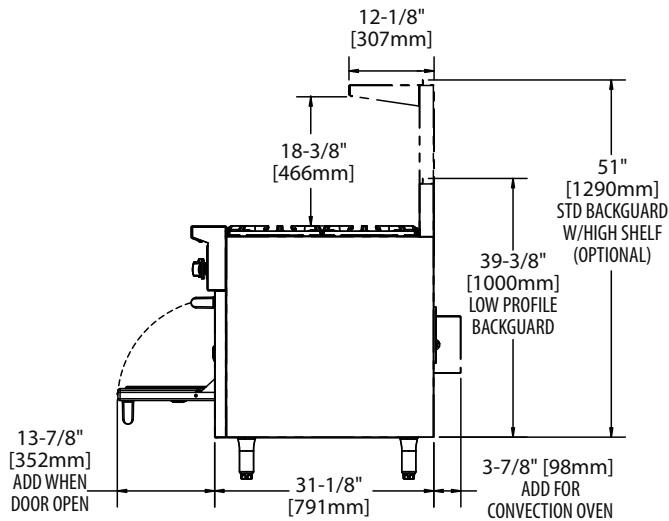
Series	Width
GF24	600mm (23-5/8")*
GF36	900mm (35-2/2")* Shown
GF48	1200mm (47-1/4")
GF60	1500mm (59-1/2")
*Range base or modular top	

Modular Top Models GF24-_T or GF36-_T Side View

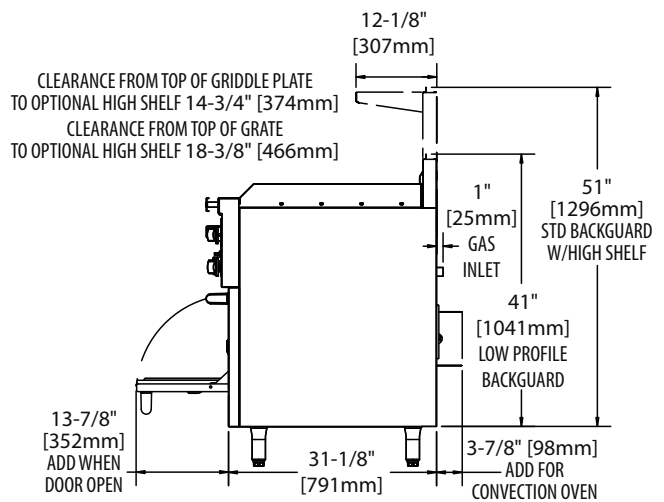


GF Series Side View

(Showing convection base where applicable).



GF Series 60" Raised Griddle/Broiler Side View



DIMENSIONS AND SPECIFICATIONS continued

Base Model Designations & Total Input Rates

Model #*	Description	Input			
		Natural Gas		Propane Gas	
		BTU/Hr	CE Rating kW	BTU/Hr	CE Rating kW
GF/GFE24-4L	24" (600mm) nominal size unit, 4 open burners, space saver oven	136,000	41.50	132,000	39.70
GF24-T	24" (600mm) nominal size unit, 4 open burners, modular top	104,000	30.40	104,000	30.40
GF/GFE36-6R	36" (900mm) nominal size unit, 6 open burners, standard oven	194,000	56.70	188,000	54.90
GFE36-6C	36" (900mm) nominal size unit, 6 open burners, convection oven	194,000	56.70	188,000	54.90
GF36-T	36" (900mm) nominal size unit, 6 open burners, modular top	156,000	45.60	156,000	45.60
GF/GFE36-TTR	36" (900mm) nominal size unit, 2 Front-fired Target Hot Top sections, standard oven	100,000	29.10	94,000	25.50
GFE36-TTC	36" (900mm) nominal size unit, 2 Front-fired Target Hot Top sections, convection oven	100,000	29.10	94,000	25.50
GF/GFE48-LL	48" (1200mm) nominal size unit, 8 open burners, 2 space saver ovens	272,000	79.60	264,000	77.20
GF/GFE60-10RR	60" (1500mm) nominal size unit, 10 open burners, 2 standard ovens	336,000	98.20	324,000	94.60
GFE60-10RC	60" (1500mm) nominal size unit, 10 open burners, 1 standard & 1 convection oven	336,000	98.20	324,000	94.60
GFE60-10CC	60" (1500mm) nominal size unit, 10 open burners, 2 convection ovens	336,000	98.20	324,000	94.60
GF/GFE60-6R24RR	60" (1500mm) nominal size unit, 6 open burner, 24" (610mm), raised griddle/broiler, 2 standard ovens	265,000	76.80	253,000	73.20
GFE60-6R24RC	60" (1500mm) nominal size unit, 6 open burner, 24" (610mm), raised griddle/broiler, 1 standard & 1 convection oven	265,000	76.80	253,000	73.20
GFE60-6R24CC	60" (1500mm) nominal size unit, 6 open burner, 24" (610mm), raised griddle/broiler, 2 convection ovens	265,000	76.80	253,000	73.20
GF/GFE60-6R24RS	60" (1500mm) nominal size unit, 6 open burner, 24" (610mm), raised griddle/broiler, 1 standard oven & 1 storage section	227,000	65.70	221,000	63.90
GFE60-6R24CS	60" (1500mm) nominal size unit, 6 open burner, 24" (610mm), raised griddle/broiler, 1 convection oven & 1 storage section	227,000	65.70	221,000	63.90

*Models beginning with GFE prefix have electric spark ignition systems for pilots.

Rates are for installations up to 2000' (610m) above sea level

Each 12" (305mm) Hot Top section is 5.3kW, replacing 2 Open Burners (7.6kW each)

Clearances

Clearances Applicable For All Models Except Where Noted			
Surface	Sides Range	Sides Modular Top	Rear
Combustible Wall Minimum	14" (356mm)	6" (152mm)	6" (152mm)
Non-Combustible Wall Minimum	0"	0"	0"

DIMENSIONS AND SPECIFICATIONS continued

Gas Pressure & Individual Burner Input Rates

North America

Garland GF Series	Nat., 4.5" wc Manifold	LPG, 10" wc Manifold
	BTU/h	BTU/h
Open Top (Flame Failure)	26,000	26,000
Target Top 36" models only, per section	3@10,333	3@10,333
Hot Top FF (in lieu of 2 Open Top Burners)	18,000	18,000
Griddle (in lieu of 2 Open Top Burners)(Tstat)	18,000	18,000
Raised Griddle Broiler (3 burners)	3 @11,000	3 @11,000
26" Oven Burner (H-Cast)(Standard or Convection)	38,000	32,000
Space Saver Oven (H-Cast)	32,000	28,000

CE & General Export

Garland GF Series	Nat. (G20), 11.2 mbar Manifold	LPG (G31), 24.9 mbar Manifold
	kW	kW
Open Top (Flame Failure)	7.6	7.6
Hot Top FF (in lieu of 2 Open Top Burners)	5.3	5.0
Target Top "36" models, only per section	3@3.0	3@2.7
Griddle (in lieu of 2 Open Top Burners)(Tstat)	5.3	5.3
Raised Griddle Broiler (3 burners)	3 @ 3.0	3 @ 3.0
26" Oven Burner (H-Cast)(Standard or Convection)	11.1	9.3
Space Saver Oven (H-Cast)	9.4	8.2

Reduced Input Rates

Approximate input ratings for adjustable top burners set at LOW:				
Garland GF Series	NAT(G20)		LPG(G31)	
	kW	m ³ /h	kW	m ³ /h
Open Top Burner (Flame Failure)	2.0	0.21	4.2	0.17
Hot Top (Flame Failure)	2.75	0.29	4.9	0.20
Griddle (Tstat)	3.0	0.32	2.0	0.08
Raised Griddle Broiler (Total Of 3 Burners)	3.0	0.32	5.9	0.24
Target Top	2.7	0.28	4.0	0.16

Note: Manifold pressure is to measured at the test spigot located on the 3/4" gas manifold pipe.

DIMENSIONS AND SPECIFICATIONS continued

Australia

Garland GF Series	Nat., 1.0kPa Manifold		LPG, 2.49 kPa Manifold	
	MJ/H	Injector	MJ/H	Injector
Open Top (Flame Failure)	30.6	37 (2.64mm)	28.49	53 (1.51mm)
Hot Top FF (in lieu of 2 Open Top Burners)	19.0	47 (1.99mm)	18.15	1.2mm
Front Fired Hot Top (Target Top)	36.5	52(1.61mm)	36.5	1.0mm
Griddle (in lieu of 2 Open Top Burners)(Tstat)	19.0	47 (1.99mm)	18.15	1.2mm
Raised Griddle Broiler (3 burners)	30.0	47 (1.99mm)	34.82	61 (0.99 mm)
26" Oven Burner (H-Cast)(Standard)	40.09	30 (3.26mm)	33.76	50 (1.78mm)
26" Oven Burner (H-Cast) (Convection)	40.09	30 (3.26mm)	32.18	51 (1.7mm)
Space Saver Oven (H-Cast)	33.7	33 (2.87mm)	27.96	52 (1.61mm)

Gas Inlet Size

Model Width	Connection	Connection CE Models (ISO7-1)
23-5/8" (600mm) & 35-1/2" (900mm)	3/4" NPT Rear Gas Connection	3/4" (19.1mm) BSPT
47-1/4" (1200mm) & 59-1/2" (1500mm)	1" NPT Rear Gas Connection	1" (25.4 mm) BSPT

CE Approved Gas Categories

Country	Gas Category	Gas Type	Pressure (mbar)
AT, CH, CY, CZ, DK, EE, ES, FI, GB, GR, HR, IE, IT, LT, LV, NO, PT, RO, SE, SI, SK, TR	I _{2H}	G20	20
BE, CH, CZ, ES, FR, GB, GR, HR, IE, IT, LU, PL, PT	I _{3P}	G31	37
AT, BE, CH, CZ, DE, ES, FR, GB, HU, NL	I _{3P}	G31	50
CH, CZ, ES, GB, GR, HR, IE, IT, PT	II _{2H3P}	G20	20
		G31	37
CH, CZ, ES, GB,	II _{2H3P}	G20	20
		G31	50

INTRODUCTION

1. Check crate for possible damage sustained during transit. Carefully remove unit from crate and again check for damage. Any damage to the appliance must be reported to the carrier immediately.
2. The wires for retaining packing material must be removed from units. Any protective material covering stainless steel parts must also be removed.
3. All equipment is supplied with 6" (152mm) legs unless specified to be dais for cove base mounting, casters or deck mount flanged feet. Units 48" (1200mm) and 60" (1500mm) wide have legs factory mounted. Base mounting is required when range is being installed on a combustible floor.
4. The type of gas and supply pressure that the equipment was set-up for at the factory is noted on the rating plate and on the packaging. This type of gas supply must be used.
5. Do not remove permanently affixed labels, warnings or rating plates from the appliance, for this may invalidate the manufacturer's warranty.

Rating Plate

All burner input rates are shown on the rating plate, which is located behind the lower front drop down panel under the oven door.

Safety Information

Warning: Accessible parts may become hot during use. Young children should be kept away.

This appliance is for professional use and should only be used by qualified personnel

This appliance is not intended for use by persons (including children) with reduced physical, sensory or mental capabilities, or lack of experience and knowledge, unless they have been given supervision or instruction concerning use of the appliance by a person responsible for their safety.

INSTALLATION

This product has been certified as commercial cooking equipment and must be installed by professional personnel as specified. THIS APPLIANCE IS NOT RECOMMENDED FOR RESIDENTIAL INSTALLATION.

Garland suggest installation, maintenance and repairs should be performed by your local Garland/US Range authorized service agency, when ever possible.

Siting

The floor on which the appliance is to be sited must be capable of adequately supporting the weight of the appliance and any ancillary equipment. Units with ovens must be fitted with legs or casters if installed on a combustible floor. Adequate clearance must be provided for servicing and proper operation.

Appliances Equipped With Casters

1. The installation shall be made with a connector that complies with the Standard for Connectors for Moveable Gas Appliances, ANSI Z21.69/CSA 6.16, Addenda Z21.69B-2006/CSA 6.16B-2006 (or latest edition), and a quick-disconnect device that complies with the Standard for Quick Disconnects for Use with Gas Fuel, ANSI Z21.41/CSA 6.9, Addenda Z21.41A-2005/CSA 6.16A-2005 (or latest edition).
2. The front casters of the appliance are equipped with brakes to limit the movement of the appliance without placing any strain on the connector or quick disconnect device or its associated piping.
3. Please be aware that required restraint is attached to a cut out hole in side panel, and if disconnection of the restraint is necessary, be sure to reconnect the device after the appliance has been returned to its original position.

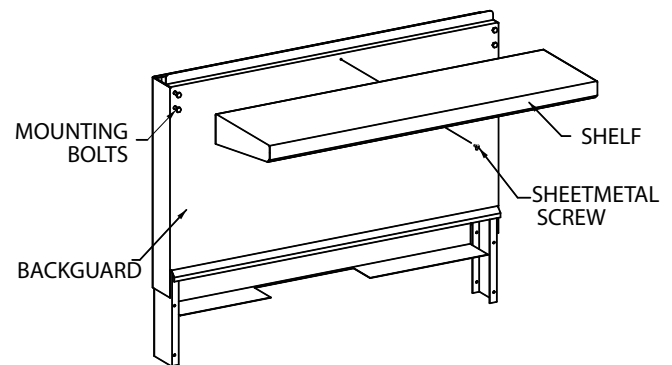
Appliances Equipped With Legs

1. Raise the front of the appliance and block. Do not lay the appliance on its back.
2. Legs are threaded to be easily screwed into the holes provided on the bottom of the range.
3. Once legs have been attached and secured they can be adjusted to level the appliance and compensate for uneven flooring.

Installing Shelf To Backguard

Note: Shelf may be installed before or after installing the backguard to the range.

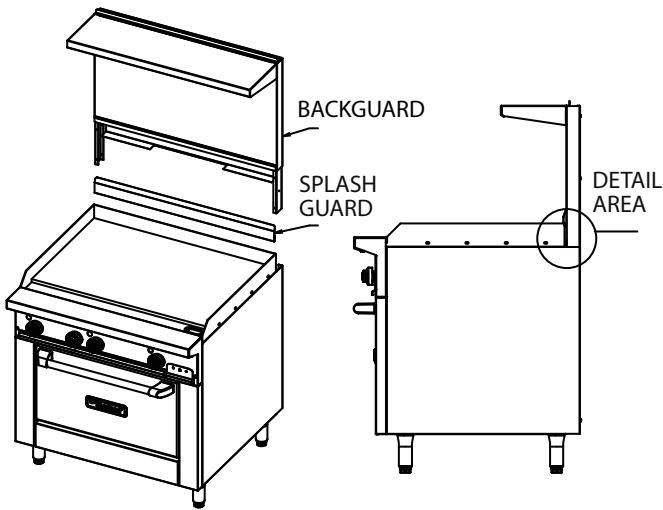
1. Loosen 4 bolts on the front of the backguard approximately 1/4" (6mm).
2. Align the 4 slotted holes on the back of the shelf with the 4 bolts on the backguard.
3. Slide the shelf downward until the 4 bolts are engaged in the slotted portion of the keyhole.
4. Tighten the 4 bolts to secure the shelf.
5. On 60" units only, install a sheet metal screw through the hole in the underside of the shelf into the backguard and tighten.



Backguard With High Shelf Or Salamander Mounting Instructions

1. Rear of the range must be easily accessible.
2. Please refer to the installation instructions included with the salamander for further instructions on these units.
3. Place the backguard or high shelf on the rear of the range, slipping the support brackets into the openings in the main body sides.
4. For ranges with griddles, care must be taken when mounting the backguard or high shelf. The front panel of the stainless steel backguard or high shelf has an extruding lip at the bottom. This lip must NOT go over the griddle back splash, if it does the backguard will not fit properly and the range will not flue properly. Refer to illustration for proper installation.

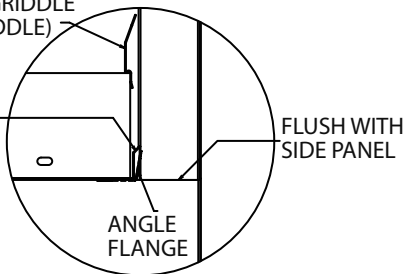
INSTALLATION Continued



Correct Installation

CLIP GRIDDLE SPLASH GUARD ONTO BACK FLANGE OF GRIDDLE (SHIPPED ON TOP OF GRIDDLE)

BACKGUARD LIP GOES BEHIND BACK FLANGE OF GRIDDLE & OVER ANGLE FLANGE

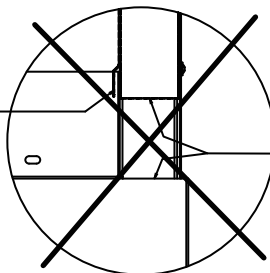


FLUSH WITH SIDE PANEL

ANGLE FLANGE

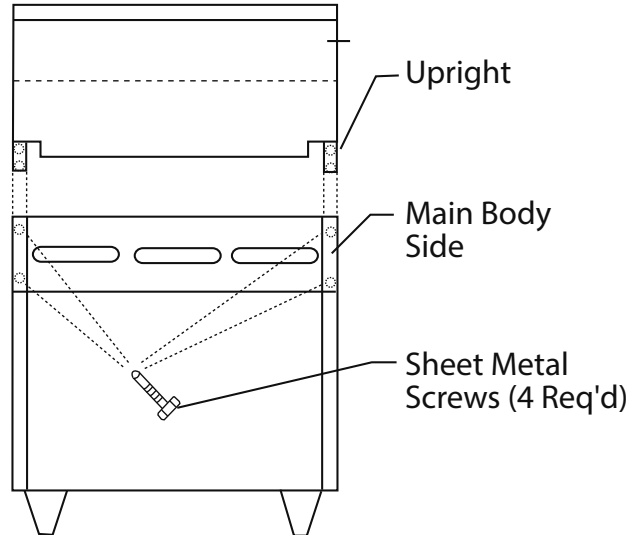
Incorrect Installation

BACKGUARD LIP ON BACK FLANGE OF GRIDDLE



NOT FLUSH WITH SIDE PANEL

- Securely fasten the support brackets to the burner box sides with (4sheet metal screws provided).



Ventilation Air

The following notes are intended to give general guidance. For detailed recommendations, refer to the applicable code(s) in the country of destination. These appliances shall be installed in a room with sufficient ventilation to prevent the occurrence of hazardous concentrations of combustion by-products.

The room containing the appliance is required to have a permanent vent. The minimum effective area of the vent is related to the maximum rated heat input of the appliance and shall be 4.5 cm² per kW in excess of 7 kW.

Proper ventilation is critical for optimum performance. The ideal method of ventilating open-top equipment is the use of a properly designed canopy that should extend six inches (152 mm), beyond all sides of the appliance(s) and six feet, six inches (1981mm) above the floor.

Air vents should be of such a size as to compensate for the effects of any extract fan in the premises. A strong exhaust will create a vacuum in the room. For an exhaust vent to work properly, replacement air must be equal to the amount of air exhausted. An imbalance between exhaust and replacement air can cause degradation in the appliance's performance.

All gas burners and pilots need sufficient air to operate. Large objects should not be placed in front of the appliance(s) that would obstruct the flow of air into the front.

INSTALLATION Continued

Statutory Regulations

In European countries, installation must be carried out by a competent person and in accordance with the relevant regulations, codes of practice and the related publications of the country of destination.

In the United States, the installation must conform to the National Fuel Gas Code ANSI Z223.1, or latest edition, NFPA No.54 - latest edition/or local code to assure safe and efficient operation. In Canada, the installation must comply with CSA B149.1 and local codes.

Australia Specific Clause

This appliance must be installed in accordance with the manufacturer's instructions, local gas fitting regulations and requirements of AS 5601 installation code. All burner adjustments and setting should be made by a qualified gas technician.

Electrical Connection Settings (Where Applicable)

IMPORTANT- This appliance must be electrically grounded in accordance with local codes, or in the absence of local codes with the National Electrical Code.

220/240 Volt Convection Oven Models

When the appliance is ordered and equipped for 220/240 volt operation, the supply line must be connected to the wiring terminations located inside the terminal box at the rear of the appliance.

For ease of attaching the supply line, there is a removable cover on the terminal box.

Permanent connection to the electrical service must comply with local codes, or in the absence of local codes, with the national electrical code.

Gas Connection

The local gas authority should be consulted at the installation planning stage in order to establish the availability of an adequate supply of gas and to ensure that the meter is adequate for the required flow rate. The pipe work from the meter to the appliance must be an appropriate size.

All fixed (non-mobile) appliances MUST be fitted with an accessible upstream gas shut off valve as a means of isolating the appliance for emergency shut off and for servicing. A union or similar means of disconnection must be provided between the gas-cock and the appliance.

A manually operable valve must be fitted to the gas supply to the kitchen to enable it to be isolated in an emergency. Wherever practical, this shall be located either outside the kitchen or near to an exit in a readily accessible position.

Where it is not practical to do this, an automatic isolation valve system shall be fitted which can be operated from a readily accessible position near to the exit.

In locations where the manual isolation valve is fitted or the automatic system can be reset this notice MUST be posted:

"ALL DOWNSTREAM BURNER AND PILOT VALVES MUST BE TURNED OFF PRIOR TO ATTEMPTING TO RESTORE THE SUPPLY. AFTER EXTENDED SHUT OFF, PURGE BEFORE RESTORING GAS."

Installation Notes

Before assembly and connection, check gas supply.

- A. The type of gas for which the unit is equipped is stamped on the rating plate located behind the lower front panel. Connect a unit stamped "NAT" only to natural gas; connect one stamped "PRO" only to propane gas.
- B. If it is a new installation have the gas authorities check meter size and piping to assure that the unit is supplied with the necessary amount of gas pressure required to operate the unit.
- C. If it is additional or replacement equipment have the gas authorities check pressure to make certain that existing meter and piping will supply fuel to the unit with no more than 0.15 Kpa pressure drop.
- D. Make certain new piping and connections have been made in a clean manner and have been purged so that piping compound, chips, etc. will not clog pilots, valves or burners. Use pipe joint compound approved for natural and liquefied petroleum gases.

NOTE: Gas pressure should be checked when the unit is installed with all other equipment on the same line turned on. The operating manifold gas pressure must be the same as that specified on the rating plate. If necessary, pressure adjustment may be made at the pressure regulator supplied with the appliance.

INSTALLATION Continued

The appliance pressure regulator provided by the factory is pre-set to the correct manifold pressure. The manifold pressure may require verification and adjustment at the installation. Allow at least one burner to be ignited and operating while checking manifold pressure at the test spigot located on the appliance manifold, and adjust the appliance pressure regulator accordingly.

The appliance and its individual shut-off valve must be disconnected from the gas supply piping system during any pressure testing of that system where pressures are in excess of 1/2 PSIG (3.45kPa.)

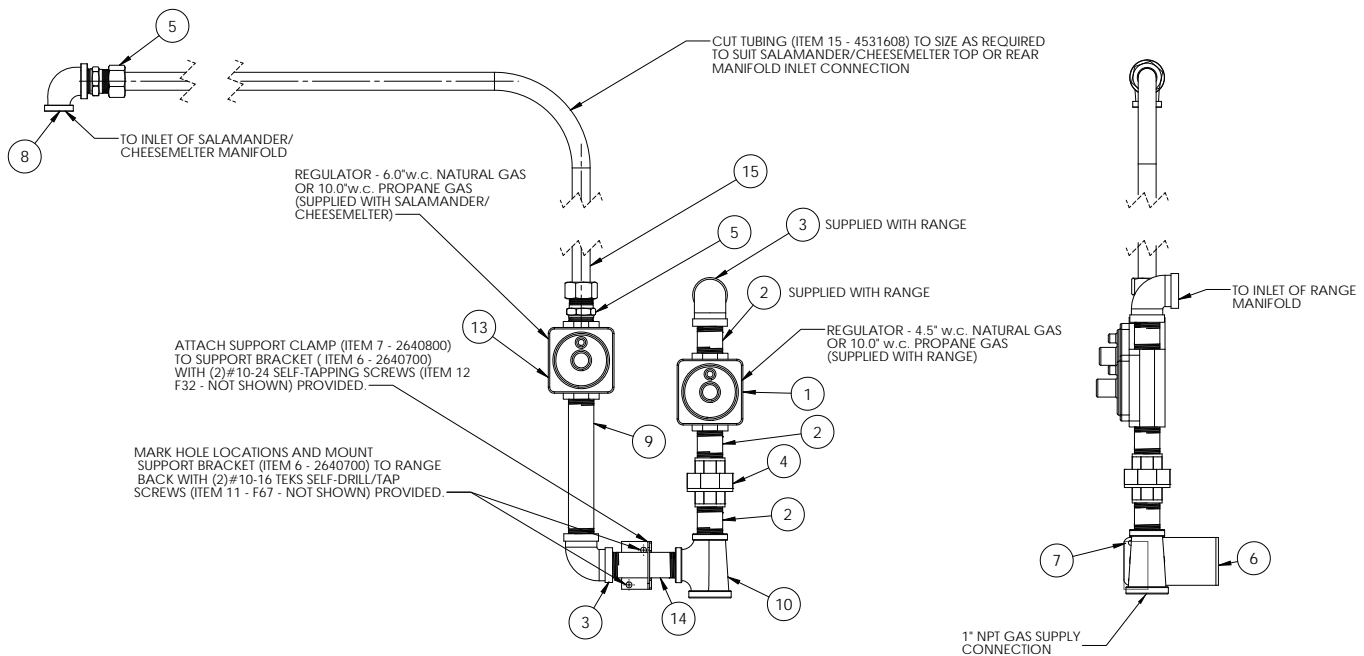
Final Preparation

NOTE: Your new range has a plastic coating to help protect the finish from scratches during shipping. This protective plastic film should be peeled off prior to starting the range.

Optional Interconnect Gas Kit

To interconnect range mount salamanders with range

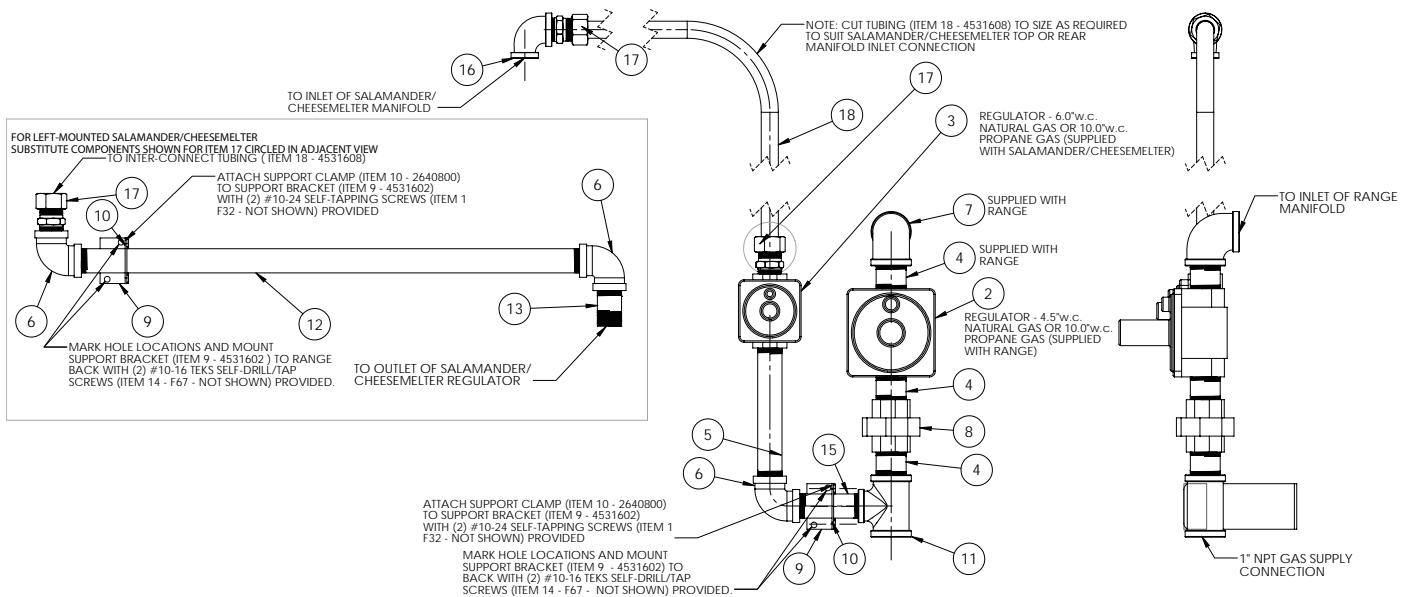
The GF series Garland range can be equipped with a range mount gas salamander. Salamanders can be plumbed independently or be interconnected with the range. See Drawing for various options for mounting onto a 36" (900mm) a 48" (1200mm) or a 60" (1500mm) range.



15	4531608	3/4" X 51" X 33" TUBING	1
14	G01738-11	3/4" NPT X 3.5" PIPE NIPPLE	1
13	2127503/2127500	6.0"wc 3/4" NPT REG. NATURAL GAS/10"wc 3/4" NPT REG. PROPANE GAS - SUPPLIED WITH SALAMANDER/CHEESEMELTER	1
12	F32	SCREW-10-24X1/2" PAN HD SELF-TAP TYPE F (NOT SHOWN)	2
11	F67	SCREW - #10-16 X 1/2" HEX WASHER HEAD TEKS SELF DRILL/TAP (NOT SHOWN)	2
10	G03716-1	3/4" NPT X 3/4" NPT X 1" NPT REDUCING TEE	1
9	G01738-5	3/4" NPT X 6.5" PIPE NIPPLE	1
8	G01474-9	3/4" NPT X 1/2" NPT 90 DEG. REDUCING ELBOW	1
7	2640800	PIPE SUPPORT BRACKET CLAMP	1
6	2640700	PIPE SUPPORT BRACKET	1
5	3013000	3/4" CC X 3/4" NPT STRAIGHT FITTING	2
4	G01963-1	3/4" NPT PIPE UNION	1
3	G01474-5	90 DEGREE ELBOW 3/4" NPT (ONE SUPPLIED WITH RANGE)	2
2	G01738-14	3/4" NPT X 2IN PIPE NIPPLE (ONE SUPPLIED WITH RANGE)	3
1	NAT: 2127502/4525047 PRO: 2127500/4525048	4.5"wc 3/4" NPT/3/4" ISO 7-1 REG. NATURAL GAS OR 10"wc 3/4" NPT/3/4" ISO 7-1 REG. PROPANE GAS - SUPPLIED W/RANGE	1
ITEM NO.	PART NUMBER	DESCRIPTION	QTY

Optional Interconnect Gas Kit
36in (900mm) G/U/X
Part # 4531606

INSTALLATION Continued



Optional Interconnect Gas Kit
48in (1200mm) & 60in (1500mm) G/U/X
Part # 4531606

18	4531608	3/4" X 51" X 33" TUBING	1
17	3013000	3/4" CC X 3/4" NPT STRAIGHT FITTING	2
16	G01474-9	3/4" NPT X 1/2" NPT 90 DEG. REDUCING ELBOW	1
15	G01738-11	3/4" NPT X 3.5" PIPE NIPPLE	1
14	F67	SCREW - #10-16 X 1/2" HEX WASHER HEAD TEK'S SELF-DRILL/TAP (NOT SHOWN)	4
13	G01738-14	3/4" NPT X 2.000 PIPE NIPPLE	1
12	G01738-16	3/4" NPT X 22.750 PIPE NIPPLE	1
11	3012800	1" NPT X1" NPT X 3/4" NPT REDUCING TEE	1
10	2640800	PIPE SUPPORT BRACKET CLAMP	2
9	4531602	PIPE SUPPORT BRACKET 48/60	2
8	4530189	1" NPT PIPE UNION	1
7	076029-171	1" NPT 90 DEGREE ELBOW (SUPPLIED WITH RANGE)	1
6	G01474-5	90 DEGREE ELBOW 3/4" NPT	3
5	G01738-5	3/4" NPT X 6.5" PIPE NIPPLE	1
4	076029-204	1" NPT X 2" PIPE NIPPLE (ONE SUPPLIED WITH RANGE)	3
3	2127503/2127500	4.5" w.c. 3/4" NPT REG. NATURAL GAS/10" w.c. 3/4" NPT REG. PROPANE GAS - PROVIDED WITH SALAMANDER/CHEESEMELTER	1
2	NAT: 4522421/4525049 PRO: 4522422/4525050	4.5" w.c. 1" NPT/ 1" ISO 7-1 REG. NATURAL GAS OR 10" w.c. 1" NPT/1" ISO 7-1 REG. PROPANE GAS - PROVIDED WITH RANGE	1
1	F32	SCREW - #10-24 X 1/2" PAN HD SELF-TAP TYPE F (NOT SHOWN)	4
ITEM NO.	PART NUMBER	DESCRIPTION	QTY

TESTING AND ADJUSTMENT

Testing

All fittings and pipe connections must be tested for leaks. Use approved gas leak detectors, soap solution or equivalent, checking over and around all the fittings and pipe connections. **DO NOT USE A FLAME!** Accessibility to all gas lines and fittings require that valve panel(s) lower front panel(s), and/or oven rack(s) be removed. It may be necessary to remove, or at least raise and securely prop griddle(s), hot top(s), and/or top grate(s). All parts removed, (including fasteners), should be stored safely for re-installation.

1. Be sure that all valves and thermostats are in the "OFF" position.

- Turn on the main gas supply valve. Light all top section pilots.
- Leak test all valves and fittings as described at the beginning of this section. Correct any leaks as required and recheck.
- Light the oven pilot.
- Set the oven thermostat to maximum. Leak test all valves and fittings as described at the beginning of this section. Correct any leaks as required and recheck.
- Shut off all valves and set thermostat dials to "OFF" or lowest position. All units are tested and adjusted at the factory, however, burners and pilots should be checked upon installation and adjusted if necessary.

OPERATION

Flame Failure Technology

The Garland GF series gas range has total flame failure (also referred to as flame safety) technology. It is a simple system that monitors the existence of a gas flame. It can be used on most gas appliances and will turn off the gas supply to any burner using the system when a pilot ignition flame is not present.

Flame failure systems have been available for many years and it is the "CE" agency standard accepted for European gas appliance approvals. In North America this technology is gaining greater acceptance and various levels of government are making it mandatory in schools and other government institutions.

How Flame Failure Technology Works

For gas restaurant ranges, there are three principles at work in a flame failure system, they are a safety valve, the thermocouple and the pilot.

Safety Valve

The SIT control used on the new Garland series of restaurant ranges operates both as the mechanism to control the oven temperature (thermostat) and the safety valve for the flame failure system. This valve contains a magnet which when electrically charged, will hold a check valve in an open state allowing for gas to flow through the valve as required by either the pilot or main burner. The magnet is charged through an electrical signal sent from the thermocouple when a flame is present. When no flame is present, no signal is sent and the magnet releases closing the check valve. Because no gas can flow through the valve if the pilot is not burning, no gas can build up, decreasing the risks of any safety conditions.

Thermocouple

The thermocouple is positioned so that the tip of the thermocouple comes into contact with the pilot flame when lit. When exposed to a flame, a properly functioning thermocouple produces a small electrical signal measured in millivolts. This signal is transferred through the electrical wire connecting the thermocouple to the safety valve in the SIT control, and to the magnet inside the valve thereby energizing it. Again, when the magnet is energized, it is able to hold a check valve in an open state allowing gas to flow through the valve to the burner(s) and pilot(s). If the pilot goes out then the generation of millivolts stops and the

magnet in the safety valve releases to close off the supply gas.

Pilot

The pilot provides the flame that the thermocouple uses to generate millivolts. When all three of the above components are placed together a Flame Failure system is created.

The above principles apply no matter what section of the range is using flame failure technology. When operating open top burners or hot tops the hi-lo valve also acts as a safety valve in the system. The same SIT thermostat as in the oven section of the range is used on flat griddle models.

Burner Operation

Caution: In the event that a binding or malfunctioning valve, or thermostat control is observed DO NOT light the pilots or continue operation until an authorized service technician has inspected the appliance. Failure to do so may result in injury.

Open Top burners

Lighting

1. Push in the valve knob, and turn it counter clockwise to the ignition "★" position.
2. While holding the valve knob fully in, light the pilot burner with a match or BBQ ignition device.

Note: On ranges equipped with electric spark igniters, press the igniter button and check that the pilot lights. Should burner ignition fail within 4 seconds, turn the burner valve off and repeat steps 1 through 2. If ignition continues to fail, consult the factory authorized service agency.

3. When the pilot is lit continue to hold the valve knob fully in for at least 30 seconds, then release it. If the pilot goes out, wait for (5), minutes, then repeat from step 1.
4. When the pilot remains lit, push the valve in again and turn it counter-clockwise to the desired flame setting position, lighting the burner.

OPERATION Continued

Shut Down

1. To turn the burner off and still have the pilot remain on, turn the dial to the ignition "★" position.
2. To turn the burner and pilot off, turn the dial to the circular "OFF" symbol. The safety device will disengage within 60 seconds.

Hot Tops and Front-Fired Target Tops

Lighting

1. Push in the valve knob, and turn it counter clockwise to the ignition "★" position.
2. While holding the valve knob fully in, press the igniter button and observe if the pilot lights. If it does not light, repeatedly depress the igniter button until it does.

Note: On ranges equipped with electric spark igniters, press the igniter button and check if the pilot lights. Should burner ignition fail within 4 seconds, turn the burner valve off and repeat steps 1 through 2. If ignition continues to fail, consult the factory authorized service agency.

3. When the pilot is lit continue to hold the valve knob fully in for at least 30 seconds, then release it. If the pilot goes out, wait for (5), minutes, then repeat from step 1.
4. When the pilot remains lit, push the valve in again and turn it counter-clockwise to the desired flame setting position, lighting the burner.
5. For low flame or simmer push in the valve knob and turn it counter-clockwise to the low flame position.
6. Surface plates are capable of reaching very high temperatures, solid hot tops 380C(716F) front-fired target tops 585C(1085F).

Shut Down

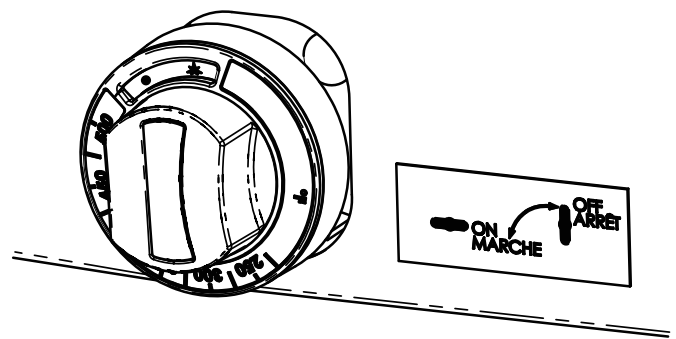
1. To turn the burner off and still have the pilot remain on, turn the dial to the ignition "★" position.
2. To turn the burner and pilot off, turn the dial to the circular "OFF" symbol. The safety device will disengage within 60 seconds.

Ovens (Standard)

Lighting

1. Lower front kick panel below oven door, raise oven hearth bottom for easy access to oven pilot.
2. Turn oven control knob (figure 1) to "★" position and then push in to engage the flow of gas through the safety device to the pilot.

Figure 1



3. While holding knob in, light pilot with a match/BBQ lighter or use the spark ignition (if provided) to spark ignite pilot.
4. Continue to hold knob in for 15 seconds after ignition, then release. Pilot should remain lit.
5. If pilot burner fails to light or does not stay lit, wait 5 minutes and repeat steps 2 through 4.
6. Replace hearth or close kick panel, then turn oven thermostat to desired cooking temperature.
7. To shut down main burner turn control knob (figure 1) to "★" position.

Warning: Use caution when opening the oven door while it is in use. Hot air or steam may cause injury.

Shut Down

If pilot shut down is required push in oven thermostat knob and turn to "●" symbol. The system will disengage with in 60 seconds.

OPERATION Continued

Convection Ovens

The forced air range oven consists of a food preparation chamber completely sealed from the combustion area. This eliminates the possibility of contamination from flue products and permits an efficient method of circulating the heated air within the cooking chamber.

During the cooking process in a conventional oven, a vapor barrier and a layer of "cool" air covers the exposed area of the product. In a forced air oven, the fan pushes the heated air over and around the product, sweeping away the vapor barrier and cool air, permitting faster heat penetration. This action permits the use of lower temperatures and shorter cooking times.

The rule of thumb for determining the cooking temperature is to reduce the set temperature by approximately 80°F, (28°C), from that which you would set in a conventional oven. The product should be checked at a point midway in the time required in a conventional oven.

Lighting

1. Lower front kick panel below oven door.
2. Push and hold in oven thermostat control valve knob (figure 1) and turn it counter clockwise to the ignition position "★".
3. While holding knob fully in depress the red igniter button and observe that the pilot flame is lit. If it does not light, repeatedly depress the igniter button until it does.

Note: On ranges equipped with electric spark igniters, press the igniter button and check if the pilot lights. Should burner ignition fail within 4 seconds, turn the burner valve off and repeat steps 1 through 2. If ignition continues to fail, consult the factory authorized service agency.

4. When the pilot is lit, continue to hold the valve knob fully in for 15 seconds, then release it. If the pilot goes out, wait for five (5) minutes, then repeat steps 2 to 4.

Start Up

1. Set the power switch to the "COOK" position.
2. Turn the thermostat to the desired setting.

Cool down

1. Turn the oven valve knob to the "★" position this will prevent the main oven burner from cycling on. (figure 1).
2. Turn the thermostat to its lowest setting.
3. Open the oven door.

Warning: Use caution when opening the oven door while it is in use. Hot air or steam may cause injury.

4. Set the power switch to the "COOL DOWN" position.
5. Once the oven has cooled turn the power switch to off and close the oven door.

Shut Down

1. If pilot shut down is required push in oven thermostat knob turn to "●" symbol. The system will disengage within 60 seconds.
2. Power switch should be in the off position.

Operating Suggestions

The motor in your range convection oven is maintenance free since it is constructed with self-lubricating sealed ball bearings. It is designed to provide durable service when treated with ordinary care. We have a few suggestions to follow for the care of your motor.

- A. When the motor is operating, it cools itself internally by air entering the rear of the motor case, provided proper clearance has been allowed.
- B. Since the blower wheel is in the oven cavity it is at the same temperature as the oven. If the motor is stopped while the oven is hot, the heat from the blower wheel is conducted down the shaft and into the armature of the motor. This action could shorten motor life.
- C. We recommend, at the end of the bake or roasting period, when the oven will be idle for any period of time or before shutting down completely, that the doors be left open, and by use of the cool-down position on the fan switch, the fan continues to run for at least 20 minutes. The "FAN" should never be turned "OFF" when the oven section is in use.

OPERATION Continued

- D. All convection oven model units have a controllable moisture vent. The vent control is a sliding cover inside the oven cavity. Sliding the vent from left to right will increase or decrease the amount moisture inside the oven during cooking. Dryness or moisture of the finished product will dictate the setting of the vent. To speed up pre-heat time close the vent during preheat.

Thermostat Controlled Griddles

See griddle seasoning before use.

1. For general thermostat griddle lighting instructions please refer to the section entitled "OVEN (STANDARD)" above. (Steps 2 through 7)
2. Pilots should be lit through the front panel with an extend match or long BBQ lighter. If necessary the front panel of the range can be removed to allow the griddle plates to be raised at the front, block securely.
3. Light pilots located at the front left side of each burner
4. The sensing bulbs must be fully inserted into their individual holders, which are located on the underside of the griddle. To check griddle burner flame set the thermostat to its maximum setting and then return to pilot.
5. If the griddle has been raised to light the pilots, lower carefully into position, being very careful not to leave any part of the capillary tube in the burner compartment. Replace the front panel of the range.
6. Surface temperature of solid griddle top is capable of reaching at least 265C (509 F).

Caution: Only authorized service technicians should be removing thermostat control knobs. In the event the thermostat temperature knob has been removed, the set screw must line up with the hole on the thermostat control dial.

Griddle/Broiler

See griddle seasoning before use.

Lighting

1. Push in the valve knob, and turn it counter clockwise to the ignition "★" position.
2. While holding the valve knob fully in, press the igniter button and check if the pilot lights. If it does not, repeatedly depress the igniter button until it does.

Note: On ranges equipped with electric spark igniters, press the igniter button and check that the pilot lights. Should burner ignition fail within 4 seconds, turn the burner valve off and repeat steps 1 through 2. If ignition continues to fail, consult the factory authorized service agency.

3. When the pilot is lit continue to hold the valve knob fully in for at least 30 seconds, then release it. If the pilot goes out, wait for (5), minutes, then repeat from step 1.
4. When the pilot remains lit, push the valve in again and turn it counter-clockwise to the desired flame setting position, lighting the burner.
5. For low flame or simmer push in the valve knob and turn it counter-clockwise to the low flame position.
6. Surface Temperature of solid griddle top is capable of reaching at least 380C (716 F).

Shut Down

1. To turn the burner off and still have the pilot remain on, turn the dial to the ignition "★" position.
2. To turn the burner and pilot off, turn the dial to the circular "OFF" symbol. The safety device will disengage within 60 seconds.

Range Shut down

1. Turn all valves to the "OFF" position.
2. If the unit is to be shut down for an extended period of time, close the in-line gas valve.

PRODUCT APPLICATION INFORMATION

General

The range is the workhorse of the kitchen because of its versatility. Most frequently used in small applications, such as cafes, schools, church kitchens, firehouses, and small nursing homes where demands are less taxing. As a general rule of thumb, one four to six burner range with a hot top will be adequate for a restaurant seating 30 to 35.

The top of the range is designed for flexibility and the preparation of numerous medium volume types of products. It may be equipped with two, or even three different types of tops and burners, depending on the menu needs. An operation that cooks to order, or uses the range primarily as back-up will find that open burners will suit most of their needs.

Preparation of soups, stocks, or sauces is done on a hot top where slow, even cooking is desirable.

Heating larger quantities of food can be done more efficiently than heating small quantities. Pots and pans should be covered whenever possible to reduce energy consumption.

High acid sauces, such as tomato should be cooked in stainless steel rather than aluminum to avoid chemical reaction. Light colored sauces such as Alfredo may be discolored by the use of aluminum, especially if stirred with a metal spoon or whip. Saltwater shellfish may pit aluminum pots if they are frequently used for this purpose.

Use appropriately sized pots and pans to fit each burner. Do not allow pots to overhang plate rail.

Crumb Trays

In the event of a grease fire in the crumb tray, call a service technician to inspect for possible damage to components. Do not continue to operate unit until inspected by authorized service agent.

NOTE: Many parts of the commercial range are raw steel. Hot tops, griddles, springs, door hooks etc., can react with moisture forming rust. This occurrence is normal and not considered a defect. Clean with a stainless steel or fiber pad. A light coating of cooking oil may be applied.

CAUTION: DO NOT SPRAY AEROSOLS IN THE VICINITY OF THIS APPLIANCE WHILE IT IS IN OPERATION.

Open Burners

The most traditional uses of open burners are sautéing, pan frying, and small stock pot work. Short-term cooking is the most efficient use for the open burner. Pans should cover as much of the grate as possible to minimize heat loss. The maximum stock pot size to be used on an open burner is 12 inches, (305mm), diameter. Use a pan size large enough to contact all of the grate supports (minimum 6", 150mm). Open burners should be turned off when not in use to conserve energy. Leaving a flame burning is of no advantage since the heat is instantaneous.

Hot Tops

Use of the solid hot tops is recommended where long-term stock pot cooking is required for soups, sauces or stock. Pots can be placed anywhere on the hot tops. Recommended pre-heat time is 30 minutes. This will ensure that the casting is thoroughly saturated with heat. Pots have should flat bottoms for maximum surface contact. Warped or dented pots will not transfer heat evenly, wasting energy and resulting uneven cooking patterns. During slow periods, it is advisable to lower the burner setting to conserve energy.

MAINTENANCE AND CLEANING

Seasoning

Griddle

- A. Remove all factory applied protective material by washing with hot water, mild detergent or soap solution.
- B. Apply a thin coat of cooking oil to the griddle surface, about one ounce per square foot of griddle surface. Spread over the entire griddle surface with a cloth to create a thin film. Wipe off any excess oil with a cloth.
- C. Light all burners, set at the lowest possible setting. Some discoloration will occur when heat is applied to steel.
- D. Heat the griddle slowly for 15 to 20 minutes. Then wipe away oil. Repeat the procedure 2 to 3 times until the griddle has a slick, mirror like finish.

IMPORTANT: Do not set to a high position (on valve control) or 450° (on thermostat control) during “break-in” period.

NOTE: Steel griddle surface will tone (blue discoloration) from heat. This toning will not diminish function or operation and it is not a defect.

The griddle will not require reseasoning if it is used properly. If the griddle is over heated and product begins to stick to the surface it may be necessary to repeat the seasoning process again. If the griddle is cleaned with soap and water it will be necessary to reseason the griddle surface.

Cast Iron top Grates

First, remove the cast iron top grates from the range. Wash the cast iron top grates thoroughly with a mild soap and warm water. Dry the cast-iron top grates thoroughly with a clean cloth. Immediately after drying, season the top grates lightly with a non-toxic oil, (Liquid vegetable oil or Pam spray oil) **WARNING; DO NOT SEASON THE TOP GRATES WHILE ON THE RANGE TOP!** Seasoning grates on the range top over an open flame could cause a flash fire. After seasoning, replace the top grates onto the range. Turn all the range top sections “ON LOW”. Allow the top sections to burn in this manner for at least 20 minutes before using pots or pans on the top grates. **SEASONING OF THE TOP GRATES WILL BE REQUIRED WHENEVER THEY HAVE BEEN CLEANED. FAILURE TO SEASON GRATES WILL CAUSE RUSTING.**

Stainless Steel

For routine cleaning, wash with a hot water and detergent solution. Wash just a small area at a time or the water will evaporate leaving the chemicals behind causing streaking.

Rinse the washed area with a clean sponge dipped in a sanitizing solution and wipe dry with a soft clean cloth before it can dry.

Use a paste (of water and a mild scouring powder) if you have to, but never rub against the grain. All stainless steel has been polished in one direction. Rub with the polish lines to preserve the original finish. Then thoroughly rinse as before.

To prevent fingerprints there are several stainless steel polishes on the market that leave an oily or waxy film. Do not use on surfaces that will be in contact with food.

Stainless steel may discolor if overheated. These stains can usually be removed by vigorous rubbing with a scouring powder paste.

Use only stainless steel, wood or plastic tools if necessary to scrape off heavy deposits of grease and oil. Do not use ordinary steel scrapers or knives, as particles of the iron may become imbedded and rust. **NEVER USE STEEL WOOL.**

Either a typical bleach solution or hot water can be used to sanitize stainless steel.

Oven Interior (Porcelain Enamel)

NOTE: Disconnect line cord (if applicable) from power supply before cleaning or servicing.

1. Before cleaning oven interior, remove all oven racks and guides (if “RC” base). Oven racks and guides can be cleaned with a mild soap and warm water or run through dish washer.
2. The porcelain interior can be cleaned with oven cleaners such as “Easy Off, or “Dow Oven Cleaner”.

Follow product manufacturer’s instructions for proper use.

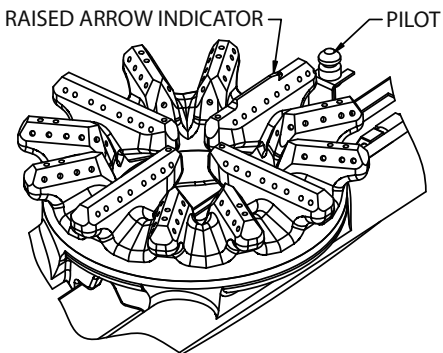
Open Top Burners

Cleaning of the range top burner is a simple procedure, and, if done at regular intervals will prolong the life of the range and ensure good flame characteristics.

1. The most common problem with open burner ranges is spillage. Once the burner ports are partially plugged with food, the air-to-gas mixture is disturbed and results in an inefficient burner.
2. Wipe any spills as they occur.
3. Grids and trays should be removed daily, washed, rinsed and dried thoroughly.

MAINTENANCE AND CLEANING Continued

4. Use a wire brush to clean the ports of the burners. Ignite and check for clogged holes.
5. If any clogged holes are apparent, the burner should be lifted out and brushed inside and out with a small Venturi brush. Each port on the burner itself should be cleaned with a properly sized wire or thumb drill. Wash with soap and hot water if grease is observed on the burners. Dry thoroughly.
6. When reinstalling the open top burner head be sure the burner ports are lined up correctly to the pilot. On the cast burner head there is a raised indicator arrow to ensure the burner is installed correctly.



7. If an abnormal flame appears around the edges, it is usually a sign of grease or dirt in the throat of the burner. Remove the burner venturi (main body that the burner heads sit on) to access the air shutter opening. Remove grease and dirt from the air shutter area carefully. Do not adjust the shutter setting. The air shutter allows the proper amount of air to mix with the flow of gas coming in from your valve/thermostat orifice and should not be adjusted unless by a licensed gas fitter technician.

Cast Iron Top & Grates

Cast iron top and grate(s) can be cleaned with mild soap and warm water. For baked on material, a wire brush can be used. Dry thoroughly. Lightly coat with vegetable oil to help prevent rust from forming.

Hot Tops and Front-Fired Target Hot Tops

While the surface is still slightly warm, wipe down with a clean burlap cloth. Burnt on spillage should be scraped off. If necessary, remove the plate and wash in a sink with soap and

hot water. Dry thoroughly. In damp climates, wipe down with a light coating of oil to prevent rusting. Avoid excessive use of water as this could damage the surface and the controls below.

CAUTION: Do not use water on top plates while they are hot or Do not use ice to cool plates.

NOTE: Hot top and front-fired target hot top surface will "tone" (blue/brown discoloration) from heat. This toning will not diminish function or operation and is not a defect.

Griddle

To produce evenly cooked, browned griddle products, keep griddle free from carbonized grease. Carbonized grease on the surface hinders the transfer of heat from the griddle surface to food product. This results in uneven browning and loss of cooking efficiency, and worst of all, carbonized grease tends to cling to grilled foods, giving them a highly unsatisfactory and unappetizing appearance. To keep the griddle clean and operating at peak performance, follow these simple instructions:

- A. **AFTER EACH USE** clean griddle thoroughly with a grill scraper or spatula. Wipe off any excess debris left from cooking process.
- B. **ONCE A DAY** clean griddle surface with a grill brick and grill pad. Remove grease container and clean thoroughly, in the same manner as any ordinary cooking utensil.
- C. **ONCE A WEEK** clean griddle surface thoroughly. If necessary, use a grill stone or grill pad over the griddle surface. Rub with grain of the metal while still warm. A detergent may be used on the plate surface to help clean it, but care must be taken to be sure it is thoroughly removed. After removal of detergent, the surface of the plate should be covered with a thin film of oil to prevent rusting. To remove discolorations, use a non-abrasive cleaner. Before re-using, the griddle must be reseasoned. Keep griddle drain tube to grease container clear at all times.

CAUTION This griddle plate is steel, but the surface is relatively soft and can be scored or dented by careless use of a spatula.

Be careful not to dent, scratch, or gouge the plate surface. This will cause food to stick in those areas. Also, note, since this is a steel griddle if a light coating of oil is not always present rust will develop on exposed and uncoated areas.



INSTRUCTIONS D'INSTALLATION ET D'UTILISATION

SÉRIE GARLAND GF SENTRY CUSINIÈRES DE RESTAURANT À GAZ



Tous des 24, 36, 48, et 60 pouce les modèles larges.

POUR VOTRE SÉCURITÉ:
**NE PAS STOCKER NI UTILISER D'ESSENCE
OU D'AUTRES VAPEURS OU LIQUIDES
INFLAMMABLES À PROXIMITÉ DE CET
APPAREIL OU DE TOUT AUTRE APPAREIL**

AVERTISSEMENT
**UNE INSTALLATION, DES RÉGLAGES, DES
MODIFICATIONS, DES RÉPARATIONS
OU UN ENTRETIEN MAL FAITS PEUVENT
CAUSER DES DOMMAGES MATÉRIELS,
DES BLESSURES OU LA MORT. LIRE
SOIGNEUSEMENT LES INSTRUCTIONS
D'INSTALLATION, D'UTILISATION ET
D'ENTRETIEN AVANT D'INSTALLER OU DE
RÉPARER L'ÉQUIPEMENT.**

LIRE TOUTES LES SECTIONS DU PRÉSENT
MANUEL ET LE CONSERVER POUR S'Y REPORTER
ULTÉRIEUREMENT.

CE PRODUIT A ÉTÉ HOMOLOGUÉ EN TANT
QU'ÉQUIPEMENT PROFESSIONNEL DE CUISSON
ET DOIT ÊTRE INSTALLÉ PAR DU PERSONNEL
PROFESSIONNEL TEL QUE SPÉCIFIÉ.

DANS L'ÉTAT DU MASSACHUSETTS, CE PRODUIT
DOIT ÊTRE INSTALLÉ PAR UN PLOMBIER OU UN
MONTEUR D'INSTALLATION AU GAZ.

Pour votre sécurité
Placer dans un endroit bien en vue les
instructions à suivre en cas d'odeur de gaz
détectée par l'utilisateur. Cette information peut
être obtenue auprès du fournisseur de gaz local.

L'attention des utilisateurs est attirée sur le fait que l'entretien et les réparations doivent être effectués par un agent d'entretien autorisé par Garland utilisant des pièces de rechange d'origine Garland. Garland n'aura aucune obligation en ce qui concerne n'importe quel produit mal installé, réglé, utilisé ou qui n'aurait pas été entretenu conformément aux codes nationaux et locaux ou aux instructions d'installation fournies avec le produit ou n'importe quel produit dont le numéro de série aurait été mutilé, oblitéré ou supprimé ou qui aurait été modifié ou réparé avec des pièces non autorisées ou par des agents d'entretien non autorisés. Pour obtenir la liste des agents de service autorisés, consulter le site web de Garland à : <http://www.garland-group.com>. Les renseignements contenus dans le présent document (y compris la conception et les spécifications des pièces) peuvent être remplacés ou modifiés sans préavis.

Garland Commercial Ranges, Ltd.
1177 Kamato Road, Mississauga, Ontario L4W 1X4 CANADA
Phone: 905-624-0260
Fax: 905-624-5669

General Inquires 1-95-624-0260
USA Sales, Parts and Service 1-800-424-2411
Canadian Sales 1-888-442-4526
Canada or USA Parts/Service 1-800-427-6668

INFORMATIONS IMPORTANTES

AVERTISSEMENT

Ce produit contient des produits chimiques reconnus par l'état de Californie comme causant le cancer et/ou des malformations congénitales ou d'autres problèmes de reproduction. L'installation et l'entretien de ce produit peut vous exposer aux poussières de laine de verre/fibres céramiques. L'inhalation de ces particules de laine de verre ou de fibres céramiques est reconnue par l'état de Californie comme causant le cancer. L'utilisation de ce produit peut vous exposer au monoxyde de carbone en cas de mauvais réglage. L'inhalation de monoxyde de carbone est reconnue par l'état de Californie comme pouvant causer des malformations congénitales ou d'autres problèmes reproductifs.

**Maintenir les abords de l'appareil
dégagés et ne pas y stocker de produits combustibles**

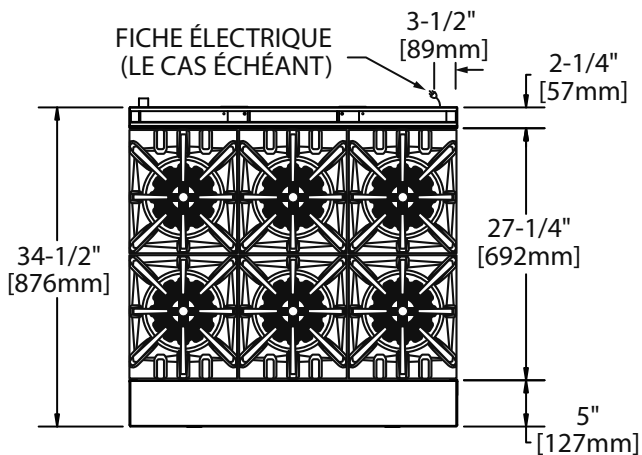
TABLE DES MATIÈRES

INFORMATIONS IMPORTANTES	22	Kit d'interconnexion au Gaz en Option N° 4523975	33
DIMENSIONS ET SPÉCIFICATIONS	24	ESSAIS ET RÉGLAGES	34
Désignations Des Modèles De Base Et Débits Calorifiques Totaux	25	Essais	34
Dégagements	26	UTILISATION	35
Pression du Gaz et Débits Calorifiques des Brûleurs Individuels	26	Technologie à Détecteur de Flamme	35
Amérique du Nord	26	Comment Fonctionne la Technique de Détection de Flamme	35
CE Et Export Général	26	Brûleurs de Plaque Ouverte	35
Taux réduits d'entrée	27	Fours (standard)	36
Remarque : La pression du collecteur doit être mesurée au bout uni d'essai situé sur le tube du collecteur de gaz de $\frac{3}{4}$ po.....	27	Fours à Convection	37
Australie	27	Grils à Thermostat	38
Dimension d'entrée du gaz	27	Gril/Rôtissoire	38
Catégories de Gaz Agréées CE	27	Arrêt de la Cuisinière	39
INTRODUCTION	28	INFORMATIONS D'APPLICATION DES PRODUITS	39
Plaque Signalétique	28	Généralités	39
Informations de Sécurité	28	Brûleurs Ouverts	39
INSTALLATION	29	ENTRETIEN ET NETTOYAGE	40
Implantation	29	Apprêtage	40
Appareils Équipés de Roulettes	29	Gril	40
Installation de l'étagère sur le dossier	29	Grilles Supérieures en Fonte	40
Instructions de Montage de Dossier Avec Étagère Haute ou de Salamandre	30	Acier Inoxydable	40
Air de Ventilation	31	Plaques de Cuisson	40
Clause Spécifique à L'Australie	31	Intérieur du Four (Émail Vitriqué)	41
Connexions Électriques (Le Cas Échéant)	31	Brûleurs de Plaque Ouverte	41
Connexion du Gaz	31	Plaques et Grilles en Fonte	41
Préparation Finale	32	Plaques de cuisson et plaques de cuisson chauffées par l'avant à chaleur ciblée	41
		Nettoyage du Gril	42

DIMENSIONS ET SPÉCIFICATIONS

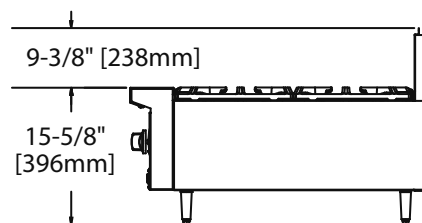
Vue de dessus

Les largeurs des modèles varient en fonction de la série du modèle. (Voir tableau à gauche)



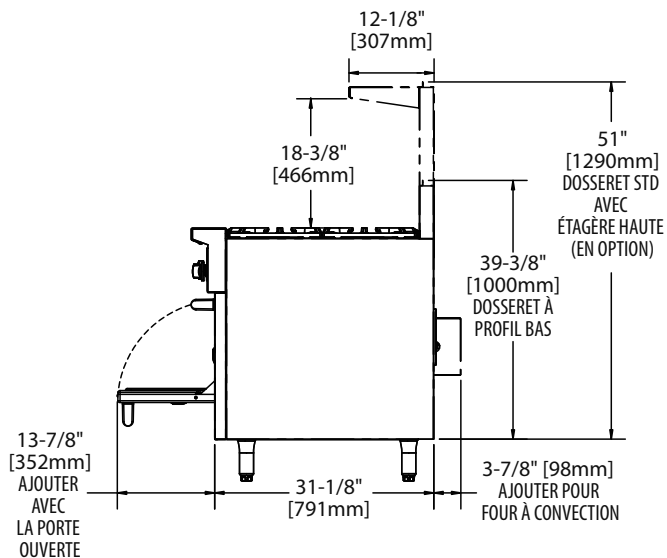
Série	Largeur
GF24	600mm (23-5/8 Po)*
GF36	900mm (35-1/2 Po)* Illustré
GF48	1 200mm (47-1/4 Po)
GF60	1 500mm (59-1/2 Po)
*Base de la cuisinière ou plaque de cuisson modulaire	

Modèles à Plaque de Cuisson Modulaire GF24-_T ou GF36-_T Vue de Côté

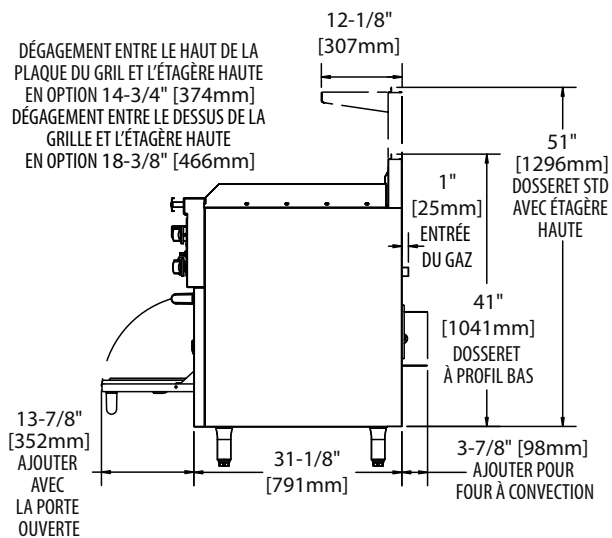


Vue de côté de la série GF

(Montrant la base de convection le cas échéant).



GF Série 60" Vue Latérale du Gril/de la Rôtissoire Surélevés



DIMENSIONS ET SPÉCIFICATIONS suite

Désignations Des Modèles De Base Et Débits Calorifiques Totaux

Model #*	Description	Débit			
		Gaz Naturel		Gaz Propane	
		BTU/H	CE Estimation kW	BTU/H	CE Estimation kW
GF/GFE24-4L	Unité de 24 po (600 mm) de taille nominale, 4 brûleurs ouverts, four économiseur d'espace	136,000	41.50	132,000	39.70
GF24-T	Unité de 24 po (600 mm) de taille nominale, 4 brûleurs ouverts, plaque de cuisson modulaire	104,000	30.40	104,000	30.40
GF/GFE36-6R	Unité de 36 po (900 mm) de taille nominale, 6 brûleurs ouverts, four standard	194,000	56.70	188,000	54.90
GFE36-6C	Unité de 36 po (900 mm) de taille nominale, 6 brûleurs ouverts, four à convection	194,000	56.70	188,000	54.90
GF36-T	Unité de 36 po (900 mm) de taille nominale, 6 brûleurs ouverts, plaque de cuisson modulaire	156,000	45.60	156,000	45.60
GF/GFE36-TTR	Unité de 36 po (900 mm) de taille nominale, 2 sections de plaque de cuisson chauffée par l'avant à chaleur ciblée, four standard	100,000	29.1	94,000	25.5
GFE36-TTC	Unité de 36 po (900 mm) de taille nominale, 2 sections de plaque de cuisson chauffée par l'avant à chaleur ciblée, four à convection	100,000	29.1	94,000	25.5
GF/GFE48-LL	Unité de 48 po (1200 mm) de taille nominale, 8 brûleurs ouverts, 2 fours économiseur d'espace	272,000	79.60	264,000	77.20
GF/GFE60-10RR	Unité de 60 po (1500 mm) de taille nominale, 10 brûleurs ouverts, 2 fours standard	336,000	98.20	324,000	94.60
GFE60-10RC	Unité de 60 po (1500 mm) de taille nominale, 10 brûleurs ouverts, 1 four standard, 1 four à convection	336,000	98.20	324,000	94.60
GFE60-10CC	Unité de 60 po (1500 mm) de taille nominale, 10 brûleurs ouverts, 2 fours à convection	336,000	98.20	324,000	94.60
GF/GFE60-6R24RR	Unité de 60 po (1500 mm) de taille nominale, 6 brûleurs ouverts, 24 po (610 mm), gril/rôtissoire surélevé, 2 fours standard	265,000	76.80	253,000	73.20
GFE60-6R24RC	Unité de 60 po (1500 mm) de taille nominale, 6 brûleurs ouverts, 24 po (610 mm), gril/rôtissoire surélevé, 1 four standard, 1 four à convection	265,000	76.80	253,000	73.20
GFE60-6R24CC	Unité de 60 po (1500 mm) de taille nominale, 6 brûleurs ouverts, 24 po (610 mm), gril/rôtissoire surélevé, 2 fours à convection	265,000	76.80	253,000	73.20
GF/GFE60-6R24RS	Unité de 60 po (1500 mm) de taille nominale, 6 brûleurs ouverts, 24 po (610 mm), gril/rôtissoire surélevé, 1 four standard, 1 base de rangement	227,000	65.70	221,000	63.90

DIMENSIONS ET SPÉCIFICATIONS suite

GFE60-6R24CS	Unité de 60 po (1500 mm) de taille nominale, 6 brûleurs ouverts, 24 po (610 mm), gril/rôtissoire surélevé, 1 four à convection, 1 base de rangement	227,000	65.70	221,000	63.90
--------------	---	---------	-------	---------	-------

* Les modèles commençant par le préfixe GFE ont des systèmes d'allumage par étincelles électriques pour les veilleuses.

Débits calorifiques pour installations jusqu'à 2 000 pi (610 m) au-dessus du niveau de la mer.

Chaque 12" (305mm) La section Plaque de Cuisson est 5.3kW, remplaçant 2 brûleurs ouverts (7.6kW chacun).

Dégagements

Dégagements Applicables Pour Tous les Modèles Sauf Indication Contraire			
Surface	Côtés de la Cuisinière	Côtés Plaque de Cuisson Modulaire	Arrière
Minimum Mur Combustible	14 po (356mm)	6 po (152mm)	6 po(152mm)
Minimum Mur Non Combustible	0 Po	0 po	0 po

Pression du Gaz et Débits Calorifiques des Brûleurs Individuels

Amérique du Nord

Série GF Garland	Nat. 4,5 Po c.e. Collecteur	Gpl 10 Po c.e. Collecteur
	BTU/h	BTU/h
Plaque Ouverte (DéTECTEUR de Flamme)	26,000	26,000
Plaque de Cuisson FF (au Lieu de Deux Brûleurs Ouverts)	18,000	18,000
Modèles à plaque à chaleur ciblée de 36 po seulement, par section	3@10,333	3@10,333
Gril (au Lieu de 2 Brûleurs Ouverts) (Thermostat)	18,000	18,000
Gril Rôtissoire Surélevé (3 Brûleurs)	3 @ 11,000	3 @ 11,000
Brûleur de Four de 26 Po (H-Cast) (Standard ou Convection)	38,000	32,000
Four Économiseur d'espace (H-Cast)	32,000	28,000

CE Et Export Général

Série GF Garland	Nat. (G20) , 11,2 Mbar Collecteur	Gpl (G31), 24,9 Mbar Collecteur
	kW	kW
Plaque Ouverte (DéTECTEUR de Flamme)	7.6	7.6
Plaque de Cuisson FF (au Lieu de Deux Brûleurs Ouverts)	5.3	5.0
Modèles à plaque à chaleur ciblée de 36 po seulement, par section	3.0	3@2.7
Gril (au Lieu de 2 Brûleurs Ouverts) (Thermostat)	5.3	5.3
Gril Rôtissoire Surélevé (3 Brûleurs)	3 @ 3.0	3 @ 3.0
Brûleur de Four de 26 Po (H-Cast) (Standard ou Convection)	11.1	9.3
Four Économiseur d'espace (H-Cast)	9.4	8.2

DIMENSIONS ET SPÉCIFICATIONS suite

Taux réduits d'entrée

Les estimations d'entrée d'approximate pour les brûleurs supérieurs réglables ont placé au BAS:				
Garland GF Series	NAT(G20)		LPG(G31)	
	kW	m ³ /h	kW	m ³ /h
Brûleur de Plaque Ouverte (Déecteur de Flamme)	2.0	0.21	4.2	0.17
Brûleur de Plaque de Cuisson (Déecteur de Flamme)	2.75	0.29	4.9	0.20
Gril (Thermostat)	3.0	0.32	2.0	0.08
Gril Rôtissoire Surélevé (3 Brûleurs Total)	3.0	0.32	5.9	0.24
Modèles à plaque à chaleur	2.7	0.28	4.0	0.16

Remarque : La pression du collecteur doit être mesurée au bout uni d'essai situé sur le tube du collecteur de gaz de ¾ po.

Australie

Série GF Garland	Nat. 1,0 kPa Collecteur		GPL, 2,49kPa Collecteur	
	MJ/h	Injeteur	MJ/h	Injeteur
Plaque ouverte (déecteur de flamme)	30.6	37 (2.64mm)	28.49	53 (1.51mm)
Plaque de cuisson FF (au lieu de deux brûleurs ouverts)	19.0	47 (1.99mm)	18.15	1.2mm
Plaque de cuisson chauffée par l'avant (chaleur ciblée)	36.5	52(1.61mm)	36.5	1.0mm
Gril (au lieu de 2 brûleurs ouverts) (Thermostat)	19.0	47 (1.99mm)	18.15	1.2mm
Gril Rôtissoire Surélevé (3 brûleurs)	30.0	47 (1.99mm)	34.82	61 (0.99 mm)
Brûleur de four de 26 po (H-Cast) (Standard ou Convection)	40.09	30 (3.26mm)	33.76	50 (1.78mm)
Four Économiseur d'espace (H-Cast)	33.7	33 (2.87mm)	27.96	52 (1.61mm)

Dimension d'entrée du gaz

Largeur du Modèle	Connexion	Le CE Modèle le Raccordement (ISO7-1)
23-5/8 po (600 mm) et 35-1/2 po (900 mm)	Connexion arrière du gaz 3/4 po NPT	3/4po (19.1 mm) BSPT
47-1/4 po (1 200 mm) et 59-1/2 po (1 500 mm)	Connexion arrière du gaz 1 po NPT	1po (25.4 mm) BSPT

Catégories de Gaz Agréées CE

Pays	Catégorie De Gaz	Type De Gaz	Pression (mbar)
AT, CH, CY, CZ, DK, EE, ES, FI, GB, GR, HR, IE, IT, LT, LV, NO, PT, RO, SE, SI, SK, TR	I _{2H}	G20	20
BE, CH, CZ, ES, FR, GB, GR, HR, IE, IT, LU, PL, PT	I _{3P}	G31	37
AT, BE, CH, CZ, DE, ES, FR, GB, HU, NL	I _{3P}	G31	50
CH, CZ, ES, GB, GR, HR, IE, IT, PT	II _{2H3P}	G20	20
		G31	37
CH, CZ, ES, GB,	II _{2H3P}	G20	20
		G31	50

INTRODUCTION

1. Assurez-vous que la caisse n'a subi aucun dommage pendant son transport. Retirez soigneusement l'unité de son carton ou sa caisse, et essayez de nouveau de déceler tout dommage éventuel. Vous devez signaler immédiatement au transporteur tout dommage occasionné à l'appareil.
2. Les fils de fer retenant les brûleurs et autres matériaux d'emballage doivent être retirés des appareils. Tout le matériel de protection couvrant les pièces en acier inoxydable doit également être retiré.
3. Tout l'équipement est livré avec pieds de 6 po (152 mm) sauf indication contraire, à savoir estrade pour montage de plinthe, roulettes ou pieds à bride montés sur tablier. Les unités de 48 po (1 219 mm) et 60 po (1 524 mm) de large ont des pieds montés en usine. Un montage sur base est nécessaire quand la cuisinière est installée sur un plancher combustible.
4. Le type de gaz et la pression d'alimentation pour lesquels l'équipement a été réglé en usine sont notés sur la plaque signalétique et sur l'emballage. Vous devez utiliser ce type de gaz.

5. Ne retirez pas de l'appareil les étiquettes, avertissements ou plaques signalétiques apposés de façon permanente, car cela peut annuler la garantie du fabricant.

Plaque Signalétique

Tous les débits calorifiques des brûleurs sont indiqués sur la plaque signalétique de chaque appareil et sont facilement lisibles en ouvrant la porte émaillée sous le panneau de commande.

Informations de Sécurité

AVERTISSEMENT : Des pièces accessibles peuvent devenir chaudes pendant l'utilisation. Maintenir les jeunes enfants éloignés.

Cet appareil est pour à usage professionnel et devrait seulement être employé par le personnel qualifié.

Cet appareil n'est pas destiné à être utilisé par des personnes (y compris des enfants) ayant des capacités physiques, sensorielles ou mentales réduites ou un manque d'expérience et de connaissances à moins qu'elles n'aient reçu une supervision ou des instructions concernant l'utilisation de cet appareil d'une personne responsable de leur sécurité.

INSTALLATION

Ce produit a été homologué en tant qu'équipement de cuisson commercial et doit être installé par du personnel professionnel comme spécifié. CET APPAREIL N'EST PAS RECOMMANDÉ POUR UNE INSTALLATION RÉSIDENIELLE.

Dans la mesure du possible, Garland suggère que les travaux d'installation, de maintenance et de réparation soient effectués par votre agence de service locale agréée par Garland/US Range.

Implantation

Le plancher sur lequel l'appareil doit être posé doit pouvoir supporter le poids de l'appareil et de tout l'équipement auxiliaire. Les appareils avec fours doivent être équipés de pieds ou de roulettes s'ils sont installés sur un plancher combustible. Un dégagement suffisant doit être prévu pour l'entretien et l'utilisation.

Appareils Équipés de Roulettes

1. L'installation sera faite avec un raccord conforme à la norme Connectors for Movable Gas Appliances, ANSI Z21.69/CSA 6.16 Addenda Z21.69B-2006/CSA 6.16B-2006 (ou la dernière édition) et un raccord rapide conforme à la norme Standard for Quick Disconnects for Use with Gas Fuel, ANSI Z21.41/CSA 6.9 Addenda Z 21.41A-2005/CSA 6.16A-2005 (ou la dernière édition).
2. Les roulettes avant de l'appareil sont dotées de freins qui limitent les déplacements de l'appareil sans que le connecteur ou le raccord rapide ou sa tuyauterie n'interviennent pour limiter les mouvements de l'appareil.
3. Noter que le dispositif de fixation requis est fixé à une bride sur la friteuse (le point de fixation est situé sur la roulette arrière gauche de la friteuse) et, s'il est nécessaire de détacher le dispositif de fixation, ne pas oublier de le rattacher une fois la friteuse remise dans sa position d'origine.

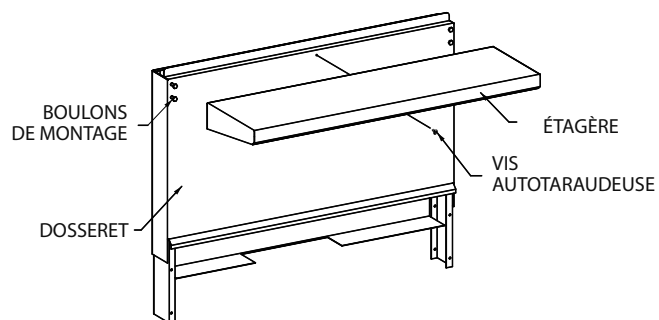
Appareils Équipés de Pieds

1. Soulever l'avant de l'appareil et l'immobiliser. Ne pas coucher l'appareil sur l'arrière.
2. Les pieds sont filetés pour être vissés facilement dans les trous prévus sous la cuisinière.
3. Une fois les pieds vissés en place, ils peuvent être réglés pour mettre l'appareil de niveau et compenser un sol inégal.

Installation de l'étagère sur le dossier

Remarque : L'étagère peut être installée avant ou après avoir installé le dossier sur la cuisinière.

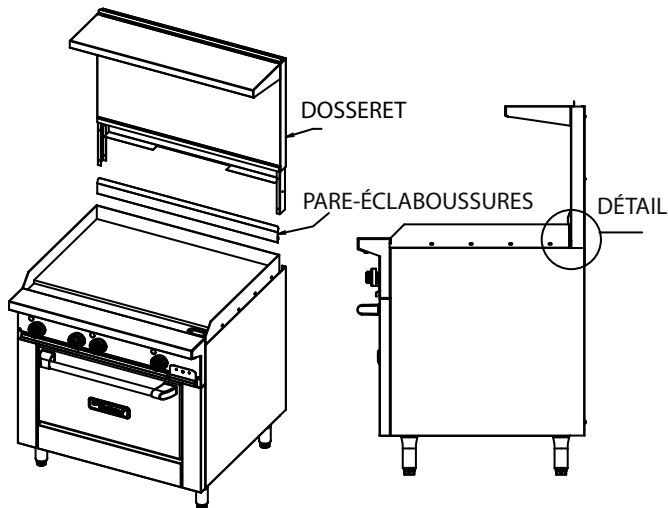
1. Desserrer les 4 boulons à l'avant du dossier d'environ 1/4 po (6 mm).
2. Aligner les 4 trous allongés à l'arrière de l'étagère avec les 4 boulons sur le dossier.
3. Faire glisser l'étagère vers le bas jusqu'à ce que les 4 boulons soient engagés dans la partie allongée du trou de serrure.
4. Serrer les 4 boulons pour immobiliser l'étagère.
5. Sur les appareils de 60 po seulement, installer une vis Parker dans le trou sous l'étagère dans le dossier et serrer la vis.



INSTALLATION suite

Instructions de Montage de Dossieret Avec Étagère Haute ou de Salamandre

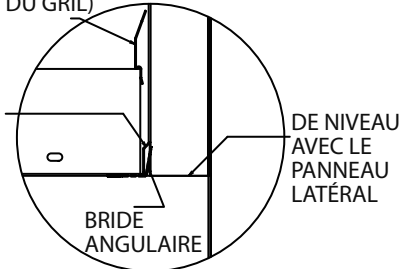
1. L'arrière de la cuisinière doit être facilement accessible.
2. Consulter les instructions d'installation jointes à la salamandre pour d'autres instructions sur ces appareils.
3. Placer le dossieret, l'étagère haute, la salamandre ou la salamandre à fromage sur l'arrière de la cuisinière, en faisant glisser les supports dans les ouvertures des côtés de carrosserie principale.
4. Pour les cuisinières avec grils, faire attention lors du montage du dossieret ou de l'étagère haute. Le panneau avant du dossieret ou de l'étagère haute en acier inoxydable est doté d'une lèvre d'extrusion à la partie inférieure. Cette lèvre NE DOIT PAS passer sur le dossieret du gril; dans le cas contraire, le dossieret ne s'adaptera pas correctement et l'évacuation des fumées de la cuisinière se fera mal. Consulter l'illustration pour une installation correcte.



Installation Correct

FIXER LE PARE-ÉCLABOUSSURES DU GRIL SUR LA BRIDE ARRIÈRE DU GRIL (EXPÉDIÉ SUR LE DESSUS DU GRIL)

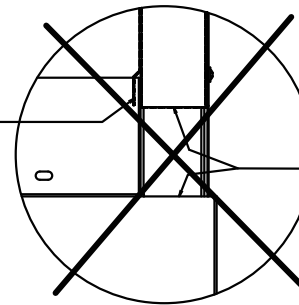
LA LÈVRE DU DOSSERET DERRIÈRE LA BRIDE ARRIÈRE DU GRIL ET SUR LA BRIDE ANGULAIRE



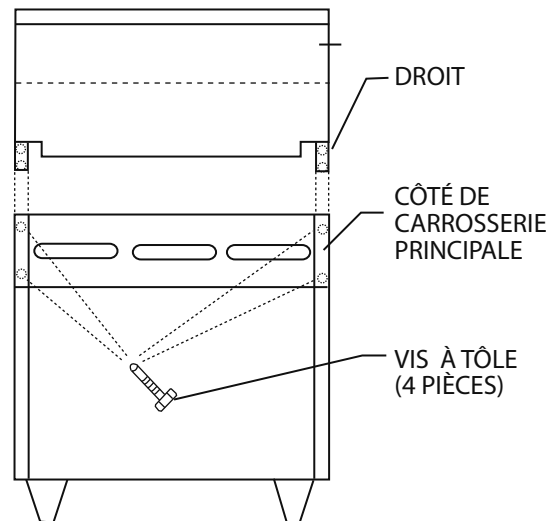
Installation incorrecte

BACKGUARD LIP ON BACK FLANGE OF GRIDDLE

NOT FLUSH WITH SIDE PANEL



5. Bien fixer les supports aux côtés du boîtier des brûleurs avec (4)vis à tôle fournies.



INSTALLATION suite

Air de Ventilation

Les notes suivantes sont destinées à donner une orientation générale. Pour des recommandations détaillées, se référer aux codes applicables dans le pays de destination. Ces appareils seront installés dans une chambre avec la ventilation suffisante d'empêcher l'occurrence des concentrations dangereuses des sous-produits de combustion.

La salle où se trouve l'appareil doit être ventilée de façon permanente. La surface minimale efficace de l'évent est liée au débit calorifique nominal maximum de l'appareil et doit être de 4,5 cm² par Kw au delà de 7 kW.

Une bonne ventilation est absolument essentielle pour un rendement optimal. La méthode idéale de ventilation de l'équipement à plaques ouvertes est une hotte correctement conçue, se prolongeant de six pouces (152 mm) de tous les côtés de l'appareil et située à six pieds six pouces (1981 mm) du sol.

Les événements doivent être de dimensions suffisantes pour compenser les effets des ventilateurs d'aspiration des locaux. Une forte aspiration risque de créer une dépression dans la pièce. Pour qu'un ventilateur d'extraction fonctionne correctement, la quantité d'air de remplacement doit être égale à la quantité d'air évacuée. Un déséquilibre entre l'air évacué et l'air de remplacement peut réduire les performances de l'appareil.

Tous les brûleurs à gaz et veilleuses ont besoin de suffisamment d'air pour fonctionner. Ne pas placer d'objets encombrants devant les appareils, car ils pourraient obstruer l'admission d'air par l'avant.

Réglementation légale

Dans les pays européens, l'installation doit être faite par une personne compétente et conformément aux règlements concernés, codes de pratique et publications connexes du pays de destination

Aux États-Unis, l'installation doit être conforme au National Fuel Gas Code ANSI Z223.1, ou la dernière édition, la norme NFPA No.54 – dernière édition/ou le code local pour assurer un fonctionnement sécuritaire et efficace. Au Canada, l'installation doit être conforme à la norme CSA B149.1 et aux codes locaux.

Clause Spécifique à L'australie

Cet appareil doit être installé conformément aux instructions du fabricant, aux règlements locaux relatifs aux raccords de gaz et aux exigences du code d'installation AS 5601. Tous les réglages des brûleurs doivent être faits par un technicien qualifié spécialiste des appareils à gaz.

Connexions Électriques (Le Cas Échéant)

IMPORTANT – Cet appareil doit être relié à la terre conformément aux codes locaux et au code national de l'électricité.

Modèles À Four À Convection 220/240 Volts

Quand cet appareil est commandé et équipé pour un fonctionnement en 220/240 volts, la ligne d'alimentation doit être branchée aux connecteurs de câblage situés à l'intérieur de la boîte de raccordement à l'arrière de l'appareil.

Pour faciliter le branchement de la ligne d'alimentation, la boîte de raccordement à un couvercle amovible.

La connexion permanente au réseau de distribution électrique doit être conforme aux codes locaux ou, en l'absence de codes locaux, au code électrique national.

Connexion du Gaz

Consulter la compagnie locale de gaz au moment de la planification de l'installation de façon à établir la disponibilité d'une alimentation en gaz suffisante et de s'assurer que le compteur correspond au débit nécessaire. La canalisation entre le compteur et les appareils doit être de diamètre approprié.

Tous les appareils fixes (non mobiles) DOIVENT être équipés d'un robinet de gaz manuel en amont de l'appareil pour pouvoir isoler l'appareil lors de toute intervention d'entretien ou de nettoyage. Un raccord union ou tout autre moyen de déconnexion doit être installé entre le robinet de gaz et l'appareil.

Un robinet à commande manuelle doit être installé sur l'arrivée de gaz dans la cuisine pour permettre d'isoler la cuisine en cas d'urgence. Chaque fois que cela est possible, ce robinet sera installé soit à l'extérieur de la cuisine ou près d'une sortie dans un endroit facile d'accès.

INSTALLATION suite

Lorsque cela est impossible, un système automatique de robinet d'isolement doit être installé à un endroit facile d'accès près de la sortie.

L'avertissement suivant DOIT être affiché à l'endroit d'installation du robinet d'isolement ou du système automatique :

«TOUS LES ROBINETS DE BRÛLEURS ET DE VEILLEUSES EN AMONT DOIVENT ÊTRE MIS EN POSITION D'ARRÊT AVANT D'OUVRIR L'ALIMENTATION. APRÈS UN PÉRIODE D'ARRÊT PROLONGÉE. PURGER AVANT DE REBRANCHER LE GAZ».

Instructions Avant Installation

Avant le montage et le branchement, vérifier l'alimentation en gaz.

- A. Le type de gaz pour lequel l'appareil est équipé est estampillé sur la plaque signalétique située sur le panneau intérieur de porte. Brancher un appareil estampillé « NAT » au gaz naturel et un appareil estampillé « PRO » au gaz propane.
- B. S'il s'agit d'une installation neuve, faire vérifier par le fournisseur de gaz le diamètre du compteur et des conduites afin de s'assurer que l'appareil reçoit une pression de gaz suffisante pour fonctionner correctement.
- C. S'il s'agit d'un équipement supplémentaire ou de remplacement, demander au fournisseur de gaz de vérifier la pression afin de s'assurer que le compteur et les conduites existants alimenteront l'appareil sans chute de pression supérieure à 0.15 Kpa de colonne d'eau.
- D. S'assurer que les tuyauteries, joints et branchements neufs ont été exécutés proprement et ont été purgés de façon à ce que la graisse à filetage, les copeaux, etc. ne bouchent pas les veilleuses, robinets et/ou les commandes. Utiliser du produit d'étanchéité pour joint homologué pour une utilisation avec le gaz de pétrole liquéfié.

NOTA : La pression du gaz doit être vérifiée quand l'appareil est installé et que tous les autres équipements sur la même conduite sont allumés. La pression du collecteur de gaz doit être identique à celle spécifiée sur la plaque signalétique. Si nécessaire, les réglages de pression peuvent être effectués au régulateur de pression fourni sur chaque appareil.

Le régulateur de pression de l'appareil fourni par l'usine est préréglé à la pression correcte du collecteur. La pression du collecteur peut nécessiter une vérification et un réglage lors de l'installation. Laisser au moins un brûleur s'allumer et fonctionner pendant la vérification de la pression du collecteur au bout uni d'essai situé sur le collecteur de l'appareil et ajuster le régulateur de pression de l'appareil en conséquence.

Cet appareil et son robinet d'arrêt du gaz individuel (non fourni par le fabricant) doivent être débranchés du système d'alimentation en gaz lors de tout essai de pression de ce système à des pressions dépassant 1/2 lb/po² (3,45 kPa). Cet appareil doit être isolé du système d'alimentation en gaz en fermant son robinet d'arrêt individuel (non fourni par le fabricant) lors de tout essai du système d'alimentation en gaz à des pressions d'essai supérieures ou égales à 1/2 lb/po² (3,45 kPa).

Préparation Finale

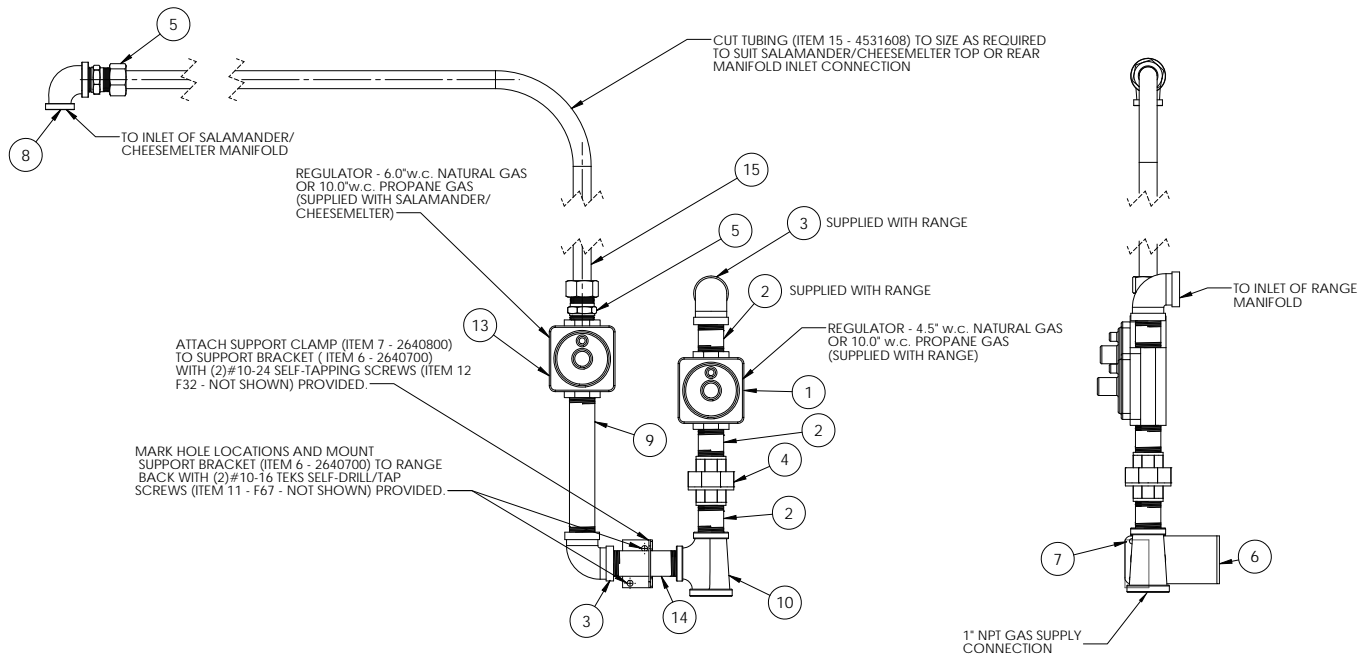
NOTA : Toute nouvelle cuisinière a un revêtement plastifié pour protéger le fini des rayures pendant le transit. Ce film plastique protecteur doit être retiré avant de faire fonctionner la cuisinière.

INSTALLATION suite

Kit d'interconnexion au Gaz en Option N° 4523975

Pour brancher les salamandres à monter sur cuisinière avec la cuisinière.

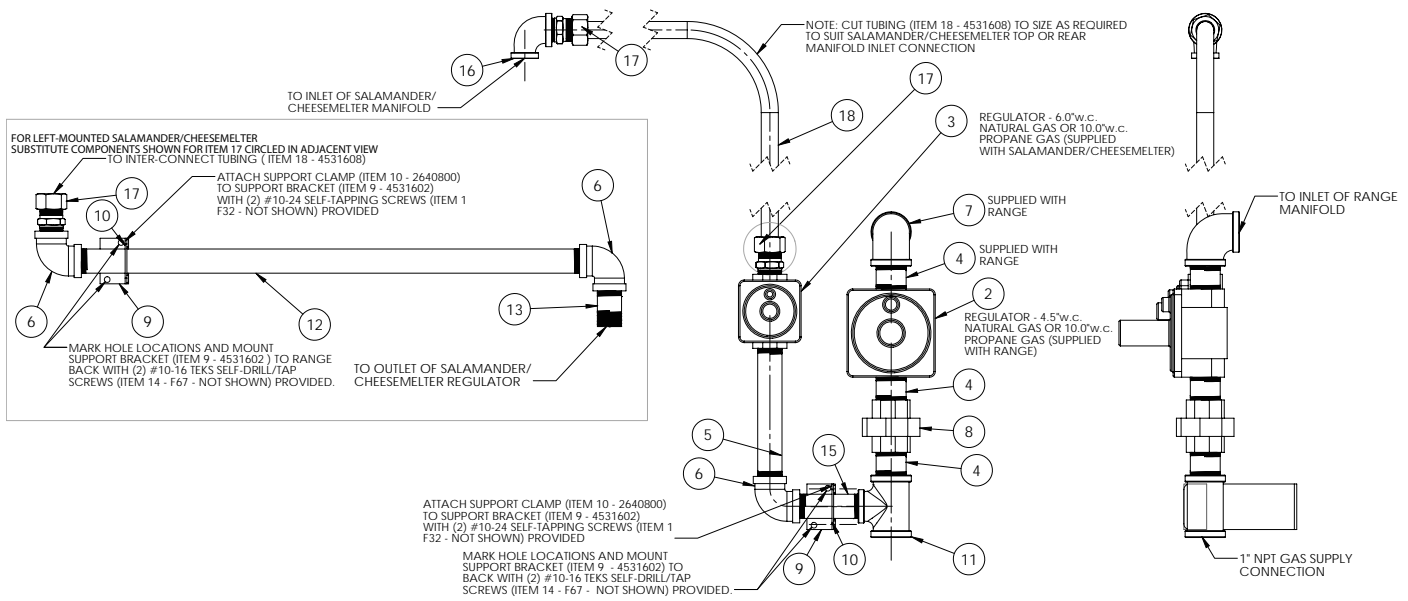
La cuisinière série GF de Garland peut être équipée d'une salamandre à gaz à monter sur cuisinière. Les salamandres peuvent être connectées de façon indépendante ou être connectées à la cuisinière. Voir le dessin pour les différentes options de montage sur une cuisinière de 36 po (900 mm), 48 po (1 200 mm) ou 60 po (1 500 mm).



ITEM NO.	PART NUMBER	DESCRIPTION	QTY
15	4531608	3/4" X 51" X 33" TUBING	1
14	G01738-11	3/4" NPT X 3.5" PIPE NIPPLE	1
13	2127503/2127500	6.0"wc 3/4" NPT REG. NATURAL GAS/10"wc 3/4" NPT REG. PROPANE GAS - SUPPLIED WITH SALAMANDER/CHEESEMELTER	1
12	F32	SCREW-10-24X1/2" PAN HD SELF-TAP TYPE F (NOT SHOWN)	2
11	F67	SCREW - #10-16 X 1/2" HEX WASHER HEAD TEKS SELF DRILL/TAP (NOT SHOWN)	2
10	G03716-1	3/4" NPT X 3/4" NPT X 1" NPT REDUCING TEE	1
9	G01738-5	3/4" NPT X 6.5" PIPE NIPPLE	1
8	G01474-9	3/4" NPT X 1/2" NPT 90 DEG. REDUCING ELBOW	1
7	2640800	PIPE SUPPORT BRACKET CLAMP	1
6	2640700	PIPE SUPPORT BRACKET	1
5	3013000	3/4" CC X 3/4" NPT STRAIGHT FITTING	2
4	G01963-1	3/4" NPT PIPE UNION	1
3	G01474-5	90 DEGREE ELBOW 3/4" NPT (ONE SUPPLIED WITH RANGE)	2
2	G01738-14	3/4" NPT X 2IN PIPE NIPPLE (ONE SUPPLIED WITH RANGE)	3
1	NAT: 2127502/4525047 PRO: 2127500/4525048	4.5"wc 3/4" NPT/3/4" ISO 7-1 REG. NATURAL GAS OR 10"wc 3/4" NPT/3/4" ISO 7-1 REG. PROPANE GAS - SUPPLIED W/RANGE	1

Optional Interconnect Gas Kit
36in (900mm) G/U/X
Part # 4531606

ESSAIS ET RÉGLAGES



Optimal Interconnect Gas Kit
48in (1200mm) & 60in (1500mm) G/U/X
Part # 4531606

18	4531608	3/4" X 51" X 33" TUBING	1
17	3013000	3/4" CC X 3/4" NPT STRAIGHT FITTING	2
16	G01474-9	3/4" NPT X 1/2" NPT 90 DEG. REDUCING ELBOW	1
15	G01738-11	3/4" NPT X 3.5" PIPE NIPPLE	1
14	F67	SCREW - #10-16 X 1/2" HEX WASHER HEAD TEKS SELF-DRILL/TAP (NOT SHOWN)	4
13	G01738-14	3/4" NPT X 2.000 PIPE NIPPLE	1
12	G01738-16	3/4" NPT X 2.750 PIPE NIPPLE	1
11	3012800	1" NPT X 1" NPT X 3/4" NPT REDUCING TEE	1
10	2640800	PIPE SUPPORT BRACKET CLAMP	2
9	4531602	PIPE SUPPORT BRACKET 48/60	2
8	4530189	1" NPT PIPE UNION	1
7	076029-171	1" NPT 90 DEGREE ELBOW(SUPPLIED WITH RANGE)	1
6	G01474-5	90 DEGREE ELBOW 3/4" NPT	3
5	G01738-5	3/4" NPT X 6.5" PIPE NIPPLE	1
4	076029-204	1" NPT X 2" PIPE NIPPLE (ONE SUPPLIED WITH RANGE)	3
3	2127503/2127500	4.5"wc 3/4"NPT REG. NATURAL GAS/10"wc 3/4"NPT REG. PROPANE GAS - PROVIDED WITH SALAMANDER/CHEESEMELTER	1
2	NAT: 4522421/4525049 PRO: 4522422/4525050	4.5" wc 1" NPT/ 1" ISO 7-1 REG. NATURAL GAS OR 10"wc 1"NPT/1" ISO 7-1 REG. PROPANE GAS - PROVIDED WITH RANGE	1
1	F32	SCREW - #10-24 X 1/2" PAN HD SELF-TAP TYPE F (NOT SHOWN)	4
ITEM NO.	PART NUMBER	DESCRIPTION	QTY

Essais

Tous les raccords et connexions de tuyau doivent être testés pour déceler les fuites. Utiliser des détecteurs de fuite de gaz agréés, une solution savonneuse ou un produit équivalent pour vérifier sur et autour de tous les raccords et connexions de tuyaux. NE PAS UTILISER DE FLAMME L'accessibilité à tous les conduits de gaz et aux raccords exige que l'on dépose les panneaux des robinets, les panneaux inférieurs avant et/ou les grilles des fours. Il peut être nécessaire de démonter, ou au moins de soulever et de fixer dans cette position les grils, plaques de cuisson et/ou grilles supérieures. Toutes les pièces démontées (y compris les pièces de fixation) doivent être rangées dans un endroit sûr pour le remontage.

1. S'assurer que tous les robinets et thermostats sont en position « OFF ».

- Ouvrir le robinet principal de gaz. Allumer toutes les veilleuses de la section supérieure.
- Vérifier la présence de fuites aux robinets et raccords comme décrit au début de cette section. Réparer les fuites si nécessaire et vérifier de nouveau.
- Allumer la veilleuse du four.
- Régler le thermostat du four au maximum. Vérifier la présence de fuites aux robinets et raccords comme décrit au début de cette section. Réparer les fuites si nécessaire et vérifier de nouveau.
- Fermer tous les robinets et régler les cadrans des thermostats à "OFF" ou la position la plus basse. Tous les appareils sont testés et réglés en usine; cependant, les brûleurs et les veilleuses devraient être vérifiés lors de l'installation et réglés si nécessaire.

UTILISATION

Technologie à Détecteur de Flamme

La cuisinière à gaz Garland série GF est dotée de la technologie à détecteur de flamme (ou sécurité de flamme) C'est un système simple qui surveille l'existence d'une flamme Il peut être utilisé sur la plupart des appareils à gaz et coupe l'alimentation en gaz de n'importe quel brûleur utilisant le système quand la flamme de la veilleuse est éteinte.

Les systèmes de détection de flamme existent depuis de nombreuses années et représentent la norme de l'agence «CE» acceptée pour les approbations d'appareils à gaz européens. En Amérique du Nord, cette technologie est de plus en plus populaire et plusieurs niveaux de gouvernement sont en train de la rendre obligatoire dans les écoles et d'autres institutions gouvernementales.

Comment Fonctionne la Technique de Détection de Flamme

Pour les cuisinières à gaz de restaurant, le système de détection de flamme est constitué de trois composants : une vanne de sécurité, le thermocouple et la veilleuse.

Vanne De Sécurité

La commande SIT utilisée sur la nouvelle série Garland de cuisinières professionnelles fonctionne comme un mécanisme de contrôle de la température du four (thermostat) et comme une vanne de sécurité pour le système de détection de flamme. La vanne contient un aimant qui, lorsqu'il est chargé électriquement, maintient ouvert un clapet de retenue, permettant au gaz de passer par la vanne selon les besoins de la veilleuse ou du brûleur principal. L'aimant est chargé par un signal électrique envoyé par le thermocouple quand une flamme est présente. Quand il n'y a pas de flamme, aucun signal n'est envoyé et l'aimant ferme le clapet de retenue. Étant donné que le gaz ne peut pas passer par la vanne si la veilleuse ne brûle pas, il ne peut pas se former d'accumulation de gaz, ce qui réduit les risques de situation dangereuse.

Thermocouple

Le thermocouple est placé de façon à ce que son extrémité vienne en contact avec la flamme de la veilleuse quand celle-ci est allumée. Quand il est exposé à une flamme, un thermocouple fonctionnant correctement produit un petit signal électrique mesuré en millivolts. Ce signal est transféré par le fil électrique reliant le thermocouple à la vanne de

sécurité de la commande SIT, et à l'aimant à l'intérieur de la vanne qui est ainsi mis sous tension. Quand l'aimant est mis sous tension, il peut maintenir ouvert un clapet de retenue, ce qui permet au gaz de passer dans la vanne et d'alimenter les brûleurs et les veilleuses. Si la veilleuse s'éteint, la production de millivolts s'arrête et l'aimant dans la vanne de sécurité ferme l'alimentation en gaz.

Veilleuse

La veilleuse produit la flamme qu'utilise le thermocouple pour générer des millivolts. Quand les trois composants ci-dessus sont mis ensemble, un système de détection de flamme est créé.

Les principes ci-dessus s'applique quelle se soit la section de la cuisinière utilisant la technologie de détection de flamme. Quand on utilise les brûleurs ouverts ou les plaques chauffantes, le robinet Hi-Lo agit également comme vanne de sécurité dans le système. Le même thermostat SIT que dans la section four de la cuisinière est utilisé sur les modèles à grill plat.

Utilisation des Brûleurs

Attention : Si on se rend compte qu'un robinet ou une commande thermostatique est grippé, NE PAS allumer les veilleuses ni continuer d'utiliser l'appareil avant qu'un réparateur agréé n'ait vérifié l'appareil. Tout manquement à cette instruction pourrait causer des blessures.

Brûleurs de Plaque Ouverte

Allumage

1. Enfoncer le bouton du robinet et le tourner dans le sens inverse des aiguilles d'une montre jusqu'à la position d'allumage « ★ ».
2. Tout en maintenant le bouton du robinet complètement enfoncé, allumer la veilleuse avec une allumette ou un dispositif d'allumage pour barbecue.

Remarque : Sur les cuisinières équipées d'allumeurs électriques à étincelles, appuyer sur le bouton de l'allumeur et vérifier que la veilleuse s'allume. Si la veilleuse ne s'allume pas au bout de 4 secondes, fermer le robinet du brûleur et recommencer les étapes 1 à 2. Si l'allumage ne se fait toujours pas, consulter l'agence de service agréée par l'usine.

3. Une fois la veilleuse allumée, continuer de maintenir le bouton du robinet enfoncé pendant au moins 30

UTILISATION suite

secondes, puis le relâcher. Si la veilleuse s'éteint, attendre 5 minutes et recommencer à partir de l'étape 1.

4. Quand la veilleuse reste allumée, enfoncer à nouveau le robinet et le tourner dans le sens inverse des aiguilles d'une montre jusqu'à la position de réglage de flamme souhaité, ce qui allume le brûleur.

Arrêt

1. Pour éteindre le brûleur et laisser la veilleuse allumée, tourner le bouton en position d'allumage « ★ ».
2. Pour éteindre le brûleur et la veilleuse, tourner le bouton jusqu'au symbole circulaire d'arrêt « OFF » Le dispositif de sécurité se désengage dans un délai de 60 secondes.

Plaques de cuisson et plaques de cuisson chauffées par l'avant à chaleur ciblée

Allumage

1. Enfoncer le bouton du robinet et le tourner dans le sens inverse des aiguilles d'une montre jusqu'à la position d'allumage « ★ ».
2. En maintenant le robinet enfoncé, appuyer sur le bouton de l'allumeur et vérifier que la veilleuse s'allume. Si elle ne s'allume pas, continuer d'appuyer sur le bouton de l'allumeur jusqu'à ce qu'elle s'allume.

Remarque : Sur les cuisinières équipées d'allumeurs électriques à étincelles, appuyer sur le bouton de l'allumeur et vérifier que la veilleuse s'allume. Si la veilleuse ne s'allume pas au bout de 4 secondes, fermer le robinet du brûleur et recommencer les étapes 1 à 2. Si l'allumage ne se fait toujours pas, consulter l'agence de service agréée par l'usine.

3. Une fois la veilleuse allumée, continuer de maintenir le bouton du robinet enfoncé pendant au moins 30 secondes, puis le relâcher. Si la veilleuse s'éteint, attendre 5 minutes et recommencer à partir de l'étape 1.
4. Quand la veilleuse reste allumée, enfoncer à nouveau le robinet et le tourner dans le sens inverse des aiguilles d'une montre jusqu'à la position de réglage de flamme souhaité, ce qui allume le brûleur.
5. Pour obtenir une flamme basse ou pour mijoter, appuyer sur le bouton du robinet et le tourner dans le sens contraire des aiguilles d'une montre jusqu'à la position de flamme basse.

6. Les plaques de surface peuvent atteindre des températures très élevées; les plaques de cuisson pleines, 380 °C (716 °F) et les plaques de cuisson chauffées par l'avant à chaleur ciblée 585 °C (1085°F).

Arrêt

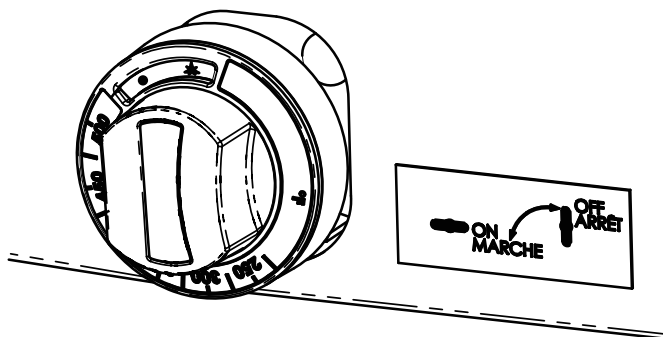
1. Pour éteindre le brûleur et laisser la veilleuse allumée, tourner le bouton en position d'allumage « ★ ».
2. Pour éteindre le brûleur et la veilleuse, tourner le bouton jusqu'au symbole circulaire d'arrêt « OFF » Le dispositif de sécurité se désengage dans un délai de 60 secondes.

Fours (standard)

Allumage

1. Abaisser la plaque de bas de porte avant sous la porte du four et soulever la sole du four afin d'accéder facilement à la veilleuse du four.
2. Tourner le bouton de commande du four (figure 1) en position « ★ » et le pousser ensuite pour faire passer le gaz dans le dispositif de sécurité jusqu'à la veilleuse.

Figure 1



3. Tout en maintenant le bouton enfoncé, allumer la veilleuse avec une allumette/un briquet pour barbecue ou utiliser le module d'allumage à étincelles (le cas échéant) pour allumer la veilleuse.
4. Maintenir le bouton enfoncé pendant 15 secondes après l'allumage, puis le relâcher. La veilleuse devrait rester allumée.
5. Si la veilleuse ne s'allume pas ou ne reste pas allumée, attendre 5 minutes et répéter les étapes 2 à 4.

UTILISATION suite

- Remettre en place la sole ou fermer la plaque de bas de porte, puis tourner le thermostat du four à la température de cuisson souhaitée.
- Pour éteindre le brûleur principal, tourner le bouton de commande (figure1) en position « ★ ».

Avvertissement : Faire attention pour ouvrir la porte du four quand celui-ci est utilisé. L'air chaud ou la vapeur peuvent causer des blessures.

Arrêt

Si on souhait éteindre la veilleuse, enfoncer le bouton du thermostat du four et le tourner sur le symbole « ● ». Le système se désactivera dans un délai de 60 secondes.

Fours à Convection

Le four de cuisinière à air pulsé est une chambre de préparation des aliments complètement isolée de la zone de combustion. Cela élimine toute possibilité de contamination par les produits de combustion et assure une méthode efficace de circulation de l'air chauffé à l'intérieur de la chambre de combustion.

Pendant le processus de combustion dans un four conventionnel, une barrière de vapeur et une couche d'air «frais» couvrent la surface exposée du produit alimentaire. Dans un four à air pulsé, le ventilateur pousse l'air chauffé sur et autour du produit, repoussant la barrière de vapeur et l'air frais et permettant une pénétration plus rapide de la chaleur. Cela permet d'utiliser des températures plus basses et des temps de cuisson plus courts.

En général, pour déterminer la température de cuisson, on réduit la température de réglage d'environ 80 °F, (28 °C) par rapport à celle que l'on utiliserait dans un four conventionnel. Vérifier la cuisson du produit à environ mi-cuisson par rapport au temps nécessaire dans un four conventionnel.

Allumage

- Abaisser la plaque de bas de porte avant.
- Pousser et maintenir enfoncé le bouton du robinet de commande du thermostat du four (figure 1) et le tourner dans le sens inverse des aiguilles d'une montre en position d'allumage « ★ ».
- Tout en maintenant le bouton complètement enfoncé,

appuyer sur le bouton rouge de l'allumeur et vérifier que la flamme de la veilleuse est allumée. Si elle ne s'allume pas, continuer d'appuyer sur le bouton de l'allumeur jusqu'à ce qu'elle s'allume.

Remarque : Sur les cuisinières équipées d'allumeurs électriques à étincelles, appuyer sur le bouton de l'allumeur et vérifier que la veilleuse s'allume. Si la veilleuse ne s'allume pas au bout de 4 secondes, fermer le robinet du brûleur et recommencer les étapes 1 à 2. Si l'allumage ne se fait toujours pas, consulter l'agence de service agréée par l'usine.

- Une fois la veilleuse allumée, continuer de maintenir le bouton du robinet enfoncé pendant 15 secondes, puis le relâcher. Si la veilleuse s'éteint, attendre cinq (5) minutes, puis recommencer les étapes 2 à 4.

Démarrage

- Placer le commutateur d'alimentation en position «COOK».
- Tourner le thermostat sur le réglage souhaité.

Refroidissement

- Tourner le bouton du robinet du four en position « ★ »; cela empêchera le brûleur principal du four de s'allumer. (Figure 1).
- Régler le thermostat au minimum.
- Ouvrir la porte du four.

Avvertissement : Faire attention pour ouvrir la porte du four quand celui-ci est utilisé. L'air chaud ou la vapeur peuvent causer des blessures

- Placer le commutateur d'alimentation en position « COOL DOWN » (Refroidissement).
- Une fois que le four a refroidi, tourner le commutateur d'alimentation en position d'arrêt et fermer la porte du four.

Arrêt

- Si on souhait éteindre la veilleuse, enfoncer le bouton du thermostat du four et le tourner sur le symbole « ● ». Le système se désactivera dans un délai de 60 secondes.

UTILISATION suite

2. Le commutateur d'alimentation devrait être en position d'arrêt.

Suggestions d'utilisation

Le moteur de ce four à convection de cuisinière est sans entretien étant donné qu'il est fabriqué avec des roulements à billes autolubrifiants. Il est conçu pour assurer un fonctionnement durable s'il est traité normalement. Voici quelques suggestions à suivre pour l'entretien du moteur.

- A. Pendant que le moteur fonctionne, il est refroidi intérieurement par l'air entrant à l'arrière du boîtier du moteur, à condition qu'un dégagement suffisant ait été prévu.
- B. Étant donné que le ventilateur du moteur se trouve à l'intérieur du four, il est à la même température. Si le moteur est arrêté pendant que le four est chaud, la température du ventilateur est transmise à l'induit du moteur par l'intermédiaire de l'arbre. Cela pourrait réduire la durée de vie du moteur.
- C. Nous recommandons, à la fin de la période de cuisson ou de rôtissage, quand le four est au ralenti pour n'importe quelle période de temps ou avant de l'arrêter complètement, de laisser les portes ouvertes et, en utilisant la position de refroidissement du commutateur du ventilateur, de laisser le ventilateur continuer de fonctionner pendant au moins 20 minutes. Le bouton du ventilateur « FAN » ne devrait jamais être mis en position d'arrêt (« OFF ») quand le four est en service.
- D. Tous les modèles avec four à convection ont un tuyau d'évacuation d'humidité réglable. La commande d'évacuation est un couvercle coulissant situé à l'intérieur du four. En faisant glisser la plaque de gauche à droite, on augmente ou diminue la quantité d'humidité à l'intérieur du four pendant la cuisson. On règle l'évacuation selon que l'on veut un produit fini sec ou humide. Pour accélérer le temps de préchauffage, fermer l'évacuation pendant le préchauffage.

Grils à Thermostat

Voir Apprêtage des grils avant toute utilisation.

1. Pour les instructions générales d'allumage du gril à thermostat, se référer à la section intitulée «FOUR (STANDARD)» ci-dessus. (Étapes 2 à 7).
2. Les veilleuses peuvent être allumées à travers le panneau avant avec une allumette longue ou un long allumeur de BBQ. Si nécessaire, les plaques des grils peuvent être soulevées à l'avant et bloquées en position levée.

3. Allumer les veilleuses placées à l'avant, du côté gauche de chaque brûleur.
4. Les bulbes thermostatiques doivent être insérés à fond dans leurs supports individuels, qui sont situés à la face inférieure du gril. Pour vérifier la flamme du brûleur du gril, régler le thermostat au réglage maximum, puis le ramener en position veilleuse.
5. Si le gril a été levé pour allumer les veilleuses, l'abaisser soigneusement en place, en faisant très attention à ne laisser aucune partie du tube capillaire dans le compartiment des brûleurs. Remettre en place le panneau avant de la cuisinière.
6. La température de surface du dessus plein de la Gril est capable d'atteindre au moins 265C (509 F).

Attention : Seulement les techniciens autorisés de service devraient enlever des boutons de commande de thermostat. En cas le bouton de la température de thermostat a été enlevé, la vis de réglage doit aligner avec le trou sur le cadran de commande de thermostat.

Gril/Rôtissoire

Voir Apprêtage des grils avant toute utilisation.

Allumage

1. Enfoncer le bouton du robinet et le tourner dans le sens inverse des aiguilles d'une montre jusqu'à la position d'allumage « ★ ».
2. En maintenant le robinet enfoncé, appuyer sur le bouton de l'allumeur et vérifier que la veilleuse s'allume. Si elle ne s'allume pas, continuer d'appuyer sur le bouton de l'allumeur jusqu'à ce qu'elle s'allume.

Remarque : Sur les cuisinières équipées d'allumeurs électriques à étincelles, appuyer sur le bouton de l'allumeur et vérifier que la veilleuse s'allume. Si la veilleuse ne s'allume pas au bout de 4 secondes, fermer le robinet du brûleur et recommencer les étapes 1 à 2. Si l'allumage ne se fait toujours pas, consulter l'agence de service agréée par l'usine.

3. Une fois la veilleuse allumée, continuer de maintenir le bouton du robinet enfoncé pendant au moins 30 secondes, puis le relâcher. Si la veilleuse s'éteint, attendre 5 minutes et recommencer à partir de l'étape 1.

4. Quand la veilleuse reste allumée, enfoncer à nouveau le robinet et le tourner dans le sens inverse des aiguilles d'une montre jusqu'à la position de réglage de flamme souhaité, ce qui allume le brûleur.
5. Pour obtenir une flamme basse ou pour mijoter, appuyer sur le bouton du robinet et le tourner dans le sens contraire des aiguilles d'une montre jusqu'à la position de flamme basse.
6. La température de surface du dessus plein de la Gril est capable d'atteindre au moins 380C (716 F).

Arrêt

1. Pour éteindre le brûleur et laisser la veilleuse allumée, tourner le bouton en position d'allumage « ★ ».
2. Pour éteindre le brûleur et la veilleuse, tourner le bouton jusqu'au symbole circulaire d'arrêt « OFF » Le dispositif de sécurité se désengage dans un délai de 60 secondes.

Arrêt de la Cuisinière

1. Tourner tous les robinets en position d'arrêt (« OFF »).
2. Si la cuisinière doit être arrêtée pour une période de temps prolongée, fermer le robinet de gaz de la conduite.

INFORMATIONS D'APPLICATION DES PRODUITS

Généralités

La cuisinière est l'appareil le plus utilisé dans la cuisine à cause de sa polyvalence. Elle est utilisée le plus souvent dans les petites applications comme les cafés, les écoles, les cuisines d'église, les casernes de pompiers et les petites maisons de repos où les exigences sont moins grandes. En général, une cuisinière comportant quatre à six brûleurs avec une plaque chauffante sera adaptée pour un restaurant de 30 à 35 couverts.

Le dessus de la cuisinière est conçu pour la flexibilité et la préparation de nombreux types de produits de volume moyen. Il peut être équipé de deux ou même trois différents types d'appareils et de brûleurs, en fonctions des besoins en matière de menus. Dans un établissement qui cuisine à la commande ou utilise la cuisinière principalement en secours, des brûleurs ouverts répondront à la plupart de leurs besoins.

La préparation de soupes, bouillons ou sauces se fait sur une plaque chauffante, où on obtient une cuisson lente et régulière.

On peut plus efficacement chauffer de grandes quantités d'aliments que de petites quantités. Les pots et les plats doivent être couverts si possible afin de réduire la consommation d'énergie.

Les sauces très acides, comme la sauce tomate, devraient être cuites dans de l'acier inoxydable plutôt que dans de l'aluminium pour éviter toute réaction chimique. Les sauces de couleur claire, comme la sauce Alfredo, peuvent être décolorées par l'aluminium, en particulier si on utilise une cuillère ou un fouet en métal. Les crustacés et coquillages marins peuvent piquer les pots en aluminium si on les utilise souvent à cet usage.

Utiliser des marmites et casseroles adaptées à la taille de chaque brûleur. Les marmites ne doivent pas dépasser du rail de plaque.

Ramasse-miettes

En cas de feu de graisse dans le ramasse-miettes, demander à un technicien d'entretien d'inspecter l'unité pour déceler d'éventuels dommages aux composants. Ne pas continuer d'utiliser l'unité avant l'inspection par un agent d'entretien autorisé.

NOTA : De nombreuses pièces de la cuisinière sont en acier brut. Les plaques chauffantes, grils, ressorts, crochets de porte, etc. peuvent réagir avec l'humidité et former de la rouille. Cela est normal et n'est pas considéré comme un défaut. Nettoyer avec un tampon de laine d'acier inoxydable ou de fibre. On peut appliquer une légère couche d'huile à friture.

ATTENTION : NE PAS PULVÉRISER D'AÉROSOLS À PROXIMITÉ DE CET APPAREIL QUAND IL FONCTIONNE.

Brûleurs Ouverts

On utilise surtout les brûleurs ouverts pour faire sauter les aliments, les frire à la poêle et les faire cuire dans de petites marmites. Les cuissons rapides constituent l'utilisation la plus efficace des brûleurs ouverts. Les poêles devraient couvrir la surface maximale de la grille afin de réduire au minimum les pertes de chaleur. Le diamètre maximal d'un pot à utiliser sur un brûleur ouvert est de 12 pouces (305 mm). Employez une taille de casserole assez grande pour entrer en contact

avec tous les appuis de grille (minimum 6 pouces, 150mm). Les brûleurs ouverts doivent être éteints lorsqu'ils ne sont pas utilisés afin d'économiser l'énergie. Le fait de laisser une flamme brûler ne présente aucun avantage puisque la chaleur est instantanée.

Plaques de Cuisson

Il est recommandé d'utiliser des plaques chauffantes pleines pour les cuissons longues dans des marmites, comme pour les soupes, les sauces ou les bouillons. Les marmites peuvent

être placées n'importe où sur la plaque chauffante. Un temps de préchauffage de 30 minutes est recommandé. De cette façon, on est sûr que la pièce moulée est parfaitement saturée de chaleur. Les marmites doivent avoir des fonds plats pour un contact de surface optimal. Les marmites gauchies ou bosselées ne peuvent pas transférer la chaleur de façon régulière, ce qui gaspille l'énergie et donne des cycles de cuisson irréguliers. Pendant les périodes où il y a moins de travail, il est conseillé de réduire le réglage des brûleurs afin d'économiser l'énergie.

ENTRETIEN ET NETTOYAGE

Apprêtage

Gril

- A. Éliminer tout produit de protection appliqué en usine en lavant avec de l'eau très chaude et un détergent doux ou une solution savonneuse.
- B. Appliquer une mince couche d'huile à friture sur la surface du gril ; environ une once par pied carré de surface du gril. L'étaler sur toute la surface du gril avec un torchon pour créer une mince couche. Essuyer tout excès avec un torchon.
- C. Allumer tous les brûleurs et les régler le plus bas possible. Une certaine décoloration peut se produire quand l'acier est chauffé.
- D. Chauffer le gril lentement pendant 15 à 20 minutes. Essuyer ensuite l'huile. Répéter la procédure 2 à 3 fois jusqu'à ce que le gril ait un aspect brillant, comme un miroir.

IMPORTANT : Ne pas régler en position «High» (sur la commande de robinet) ou sur 450 ° (sur la commande thermostatique) pendant la période d'«apprêt».

NOTA : La chaleur cause une décoloration de la surface en acier du gril (bleu). Cette patine ne diminue pas le fonctionnement ni l'utilisation et ne constitue pas un défaut.

Le gril n'aura pas besoin d'un nouvel apprêt s'il est utilisé correctement. Si le gril est surchauffé et si les aliments commencent à coller à la surface, il peut être nécessaire de recommencer la procédure d'apprêt. Si le gril est nettoyé avec de l'eau et du savon, il sera nécessaire de réapprêter la surface du gril.

Grilles Supérieures en Fonte

D'abord, retirer les grilles supérieures en fonte de la cuisinière. Laver soigneusement les grilles supérieures

en fonte avec de l'eau tiède et du savon doux. Sécher soigneusement les grilles supérieures en fonte avec un torchon propre. Immédiatement après le séchage, apprêter légèrement les grilles supérieures avec une huile non toxique (huile végétale ou huile à pulvériser Pam). **AVERTISSEMENT :** NE PAS APPRÊTER LES GRILLES SUPÉRIEURES PENDANT QU'ELLES SONT SUR LE DESSUS DE LA CUISINIÈRE. Le fait d'apprêter les grilles sur la table de cuisson au-dessus d'une flamme nue pourrait causer un embrasement instantané. Après l'apprêtage, remettre en place les grilles supérieures sur la cuisinière. Allumer toutes les plaques de cuisson de la cuisinière en position «LOW». Laisser les plaques de cuisson chauffer ainsi pendant au moins 20 minutes avant d'utiliser des casseroles ou des poêles sur les grilles supérieures **UN APPRÊTAGE DES GRILLES SUPÉRIEURES EST NÉCESSAIRE CHAQUE FOIS QU'ELLES ONT ÉTÉ NETTOYÉES. LE FAIT DE NE PAS APPRÊTER LES GRILLES CAUSERA L'APPARITION DE ROUILLE.**

Acier Inoxydable

Pour le nettoyage régulier, laver simplement avec de l'eau chaude et une solution de détergent. Laver une petite surface à la fois sinon l'eau s'évaporerait laissant derrière elle des produits chimiques faisant des traînées.

Rincer la zone lavée avec une éponge propre trempée dans une solution désinfectante et l'essuyer avec un chiffon propre et doux avant qu'elle ne sèche.

Utiliser une pâte (composée d'eau et d'une poudre à récurer douce) si nécessaire, mais ne jamais frotter dans le sens contraire du grain. Tout acier inoxydable a été poli dans un sens. Frotter dans le sens de polissage pour conserver le fini d'origine. Rincer ensuite soigneusement.

Pour éviter les traces de doigts, il existe plusieurs produits à polir pour acier inoxydable sur le marché qui laissent un film huileux ou ciré. Ne pas utiliser ces produits sur les surfaces en contact avec les aliments.

ENTRETIEN ET NETTOYAGE suite

L'acier inoxydable peut se décolorer s'il est surchauffé. Ces taches peuvent habituellement être éliminées en les frottant fortement avec une pâte à base de poudre à récurer.

Utiliser uniquement des outils en acier inoxydable, en bois ou en plastique pour gratter les dépôts épais de graisse et d'huile. Ne pas utiliser de grattoirs ou couteaux en acier ordinaire, étant donné que des particules de fer risquent de s'incruster dans le métal et de rouiller. **NE JAMAIS UTILISER DE LAINE D'ACIER.**

On peut utiliser de l'eau de Javel en solution ou de l'eau très chaude pour désinfecter l'acier inoxydable sans l'endommager.

Intérieur du Four (Émail Vitrifié)

NOTA : Débrancher le cordon d'alimentation (le cas échéant) de la prise de courant avant le nettoyage ou l'entretien.

- 1 Avant de nettoyer l'intérieur du four, retirer du four les grilles et crémaillères (base «RC»). Les grilles et crémaillères du four peuvent être nettoyées avec de l'eau tiède et du savon doux ou être passées au lave-vaisselle.
- 2 L'intérieur émaillé peut être nettoyé avec des produits de nettoyage comme «Easy Off» ou «Dow Oven Cleaner».

Suivre les instructions d'utilisation du fabricant du produit.

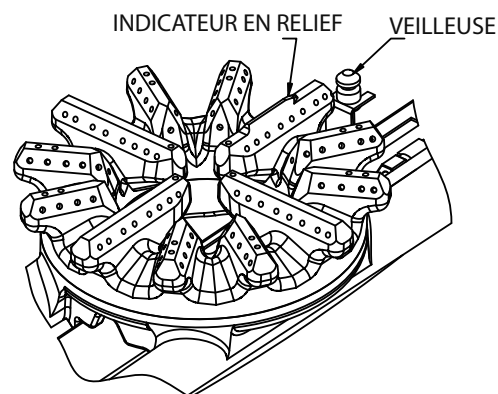
Brûleurs de Plaque Ouverte

Le nettoyage d'un brûleur de cuisinière est une procédure simple qui, si elle est effectuée à intervalles réguliers, prolongera la durée de vie de la cuisinière et permettra de conserver de bonnes caractéristiques de flamme.

1. Le problème le plus courant que l'on rencontre sur les cuisinières à brûleurs ouverts est le déversement. Une fois que les orifices du brûleur sont partiellement bouchés par de la nourriture, le mélange d'air et de gaz a des difficultés à passer et le rendement du brûleur diminue.
2. Essuyer les déversements dès qu'ils se produisent.
3. Les grilles et plateaux doivent être retirés chaque jour, lavés, rincés et séchés soigneusement.
4. Utiliser une brosse métallique pour nettoyer les orifices des brûleurs. Allumer les brûleurs et vérifier si des trous sont bouchés.
5. Si des trous semblent bouchés, soulever le brûleur et brosser l'intérieur et l'extérieur avec une petite brosse spéciale. Chaque orifice du brûleur lui-même doit être

nettoyé avec un fil métallique ou un foret de taille appropriée. Laver avec du savon et de l'eau très chaude s'il y a de la graisse sur les brûleurs. Bien sécher.

6. Lors du remontage de la tête de brûleur ouvert, s'assurer que les orifices du brûleur sont correctement alignés par rapport à la veilleuse. Sur la tête de brûleur moulée, il y a un indicateur à flèche en relief pour vérifier que le brûleur est correctement installé.



7. Si une flamme jaune apparaît autour des bords au lieu d'une flamme uniformément bleue, c'est habituellement signe de graisse ou de saletés dans le col du brûleur. Retirer la buse du brûleur (corps principal sur lequel est appuyée la tête du brûleur) afin d'accéder à l'ouverture de l'obturateur d'air. Retirer avec précaution la graisse et les saletés de la zone de l'obturateur d'air. Ne pas modifier le réglage de l'obturateur. L'obturateur d'air permet de mélanger la quantité correcte d'air au gaz provenant du robinet ou du thermostat et ne doit pas être réglé sinon par un technicien installateur agréé.

Plaques et Grilles en Fonte

Les plaques et grilles en fonte peuvent être nettoyées avec du savon doux et de l'eau tiède. Pour nettoyer les aliments cuits, on peut utiliser une brosse métallique. Bien sécher. Appliquer une mince couche d'huile végétale pour éviter la formation de rouille.

Plaques de cuisson et plaques de cuisson chauffées par l'avant à chaleur ciblée

Pendant que la surface est encore tiède, essuyer avec un chiffon en toile de jute propre. Les déversements brûlés doivent être enlevés en grattant. Si nécessaire, retirer la plaque et la laver dans l'évier avec du savon et de l'eau chaude. Bien sécher. Dans les climats humides, appliquer

ENTRETIEN ET NETTOYAGE suite

une mince couche d'huile pour éviter la formation de rouille. Éviter d'utiliser trop d'eau car cela pourrait endommager la surface et les commandes en dessous.

ATTENTION : Ne pas utiliser d'eau sur les plaques de cuisson pendant qu'elles sont chaudes ou ne pas utiliser de glace pour refroidir les plaques.

NOTA : La chaleur « décolore » (décoloration bleu/brun) la surface de plaque de cuisson et de plaque de cuisson chauffée par l'avant à chaleur ciblée. Cette patine ne diminue pas le fonctionnement ni l'utilisation et ne constitue pas un défaut.

Nettoyage du Gril

Afin d'obtenir des aliments uniformément cuits et parfaitement dorés sur le gril, il faut éliminer toute trace de graisse carbonisée sur le gril. La graisse carbonisée sur la surface empêche le transfert de chaleur de la surface du gril aux aliments. Cela cause le brunissement inégal des aliments et une perte d'efficacité de cuisson et, ce qui est pire, la graisse carbonisée a tendance de coller aux aliments posés sur le gril, leur donnant ainsi une apparence très peu appétissante et insatisfaisante. Pour maintenir le gril propre et fonctionnant à sa capacité optimale, suivre les instructions simples ci-après :

- A. APRÈS CHAQUE UTILISATION - nettoyer soigneusement avec un grattoir à gril ou une spatule. Essuyer tous les déchets des opérations de cuisson.
- B. UNE FOIS PAR JOUR - nettoyer la surface du gril avec une brique à gril et un tampon à gril. Retirer le récipient à graisse et bien le nettoyer de la même façon que tous les ustensiles de cuisine ordinaires.
- C. UNE FOIS PAR SEMAINE - nettoyer soigneusement la surface du gril. Si nécessaire, utiliser une pierre à gril ou un tampon à gril sur sa surface. Frotter dans le sens du grain du métal pendant que le gril est encore tiède. Il est possible d'utiliser un détergent sur la surface du gril pour faciliter le nettoyage, mais il faut s'assurer de bien éliminer le détergent de la surface du gril à la fin du nettoyage. Après l'élimination du détergent de la surface, celle-ci doit être couverte d'une mince couche d'huile afin d'empêcher la corrosion. Pour éliminer les décolorations, utiliser un produit de nettoyage non abrasif. Veiller à la propreté du tube de vidange des graisses dans le récipient à graisse, sur les modèles ne comportant pas de récipient à graisse latéral.

AVERTISSEMENT: Cette plaque de gril est en acier, mais sa surface est relativement tendre et elle peut être rayée ou endommagée par une utilisation inadéquate de la spatule.

Faire attention à ne pas rayer ou creuser la surface de la plaque. Noter également que la plaque étant en acier, si sa surface n'est pas recouverte en permanence d'une mince couche d'huile, elle risque de rouiller aux endroits non exposés.



INSTRUCCIONES DE INSTALACIÓN Y OPERACIÓN

ESTUFAS DE GAS PARA RESTAURANTES GARLAND SERIE SENTRY GF



TODOS LOS MODELOS DE 24, 36, 48 Y 60 Pulgada



PARA SU SEGURIDAD:
NO ALMACENE O UTILICE GASOLINA U
OTROS VAPORES O LÍQUIDOS INFLAMABLES
EN LAS CERCANÍAS DE ESTE O CUALQUIER
OTRO ARTEFACTO.

ADVERTENCIA:
LA INSTALACIÓN, AJUSTE, MODIFICACIÓN,
SERVICIO O MANTENIMIENTO INCORRECTO
PUEDEN OCASIONAR DAÑOS A
LA PROPIEDAD, LESIONES
O LA MUERTE. LÉASE MINUCIOSAMENTE
LAS INSTRUCCIONES DE INSTALACIÓN,
OPERACIÓN Y MANTENIMIENTO
ANTES DE INSTALAR O DAR
MANTENIMIENTO A ESTE EQUIPO.

LEA TODAS LAS SECCIONES DE ESTE MANUAL Y
GUÁRDELO PARA FUTURAS CONSULTAS.

ESTE PRODUCTO HA SIDO CERTIFICADO COMO
EQUIPO DE COCINA COMERCIAL Y DEBE SER
INSTALADO POR PERSONAL PROFESIONAL
SEGÚN LO ESPECIFICADO.

EN EL COMMONWEALTH DE MASSACHUSETTS
ESTE PRODUCTO DEBE SER INSTALADO POR UN
PLOMERO O INSTALADOR DE SISTEMAS DE GAS
AUTORIZADO.

Para Su Seguridad:
Coloque en una ubicación prominente las
instrucciones a seguirse en caso de que el usu-
ario huelga gas. Esta información se obtendrá
consultando a su proveedor de gas local.

A los usuarios se les advierte que el mantenimiento y las reparaciones deben ser realizados por un agente de servicio autorizado de Garland que utilice repuestos genuinos de Garland. Garland no tendrá ninguna obligación con respecto a cualquier producto que haya sido incorrectamente instalado, ajustado, operado o no mantenido de acuerdo con los códigos nacionales y locales o las instrucciones de instalación provistas con el producto, o cualquier producto al que se le haya desfigurado, borrado o quitado su número de serie, o que ha sido modificado o reparado utilizando repuestos no autorizados o por agentes de servicio no autorizados. Para una lista de agentes de servicio autorizados, por favor consulte el sitio Web de Garland en <http://www.garland-group.com>. La información contenida aquí, (incluso el diseño y las especificaciones de partes), puede ser reemplazada y esta sujeta a cambios sin previo aviso.

Garland Commercial Ranges, Ltd.
1177 Kamato Road, Mississauga, Ontario L4W 1X4 CANADA
Phone: 905-624-0260
Fax: 905-624-5669

General Inquires 1-95-624-0260
USA Sales, Parts and Service 1-800-424-2411
Canadian Sales 1-888-442-4526
Canada or USA Parts/Service 1-800-427-6668

INFORMACIÓN IMPORTANTE

ADVERTENCIA:

Este producto contiene sustancias químicas que el Estado de California las conoce como causantes de cáncer y/o defectos de nacimiento u otros daños reproductivos. La instalación y el mantenimiento de este producto podrían exponerle a partículas aerotransportadas de lana de vidrio / fibras de cerámica. Es un hecho conocido por el Estado de California que la inhalación de partículas aerotransportadas de la lana de vidrio / fibras de cerámica causan cáncer. La operación de este producto podría exponerle al monóxido de carbono si no está debidamente ajustado. Es un hecho conocido por el Estado de California que la inhalación de monóxido de carbono causa defectos de nacimiento u otros daños reproductivos.

Mantenga la zona del artefacto libre y alejada de combustibles.

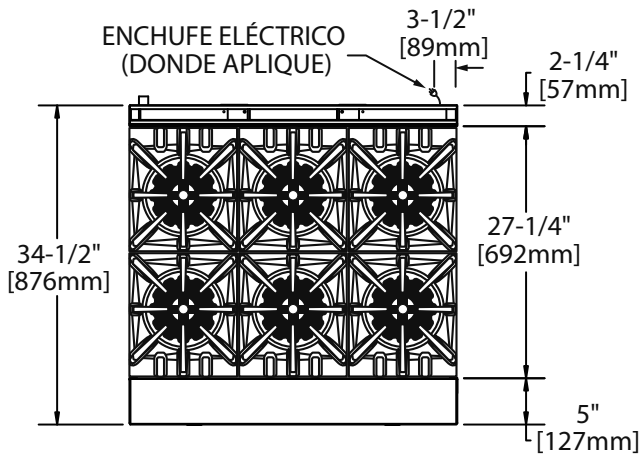
ÍNDICE

INFORMACIÓN IMPORTANTE	44	Kit Opcional de Interconexión de Gas # 4523975	55
DIMENSIONES Y ESPECIFICACIONES	46	PRUEBAS Y AJUSTES	56
Designaciones Base de los Modelos y Caudales de Entrada Total	47	Pruebas	56
Separaciones	48	OPERACIÓN	57
Presión de Gas y Caudal de Entrada a los Quemadores Individuales	48	Tecnología de Falla de Llama	57
América del Norte.....	48	Cómo Funciona la Tecnología de Falla de Llamas	57
Comunidad Europea y Exportaciones Generales	48	Quemadores de Hornillas	57
Tarifas Reducidas de la Entrada.....	48	Plancha "hot top" con quemado frontal (tipo diana)	58
Nota: la presión del distribuidor debe medirse en la espita de pruebas ubicada en la tubería de 3/4 de pulgada del distribuidor de gas.	49	Hornos (Convencionales)	58
Australia	49	Hornos de Convección	59
Tamaño de la Admisión de Gas	49	Planchas Controladas Mediante el Termostato. .	60
Categorías de Gas Aprobadas por la CE	49	Plancha/Asador	60
INTRODUCCIÓN	50	Apagado de La Estufa	61
Placa de Características	50	INFORMACIÓN SOBRE APLICACIONES DEL PRODUCTO	61
Información de Seguridad.....	50	General.....	61
INSTALACIÓN	51	MANTENIMIENTO Y LIMPIEZA	62
Emplazamiento	51	Curado	62
Artefactos Equipados con Ruedas Locas	51	Plancha	62
Artefactos Equipados con Patas	51	Rejillas de Hierro Colado de las Hornillas. .	62
Instalación del Anaquel al Protector Posterior	51	Hornillas.....	62
Direcciones de Montaje del Protector Posterior con Anaquel Alto o Salamandra	51	Planchas ee Calor Uniforme ("Hot Tops")	62
Ventilación y Suministro de Aire	53	Acero Inoxidable.....	63
Regulaciones Estatutarias	53	Interior del Horno (Esmalte de Porcelana)	63
Cláusula Específica para Australia	53	Hornillas.....	63
Conexiones Eléctricas (donde aplique)	53	Parte Superior y Rejillas de Hierro Colado	64
Conexión de Gas.....	53	Planchas "hot tops" y planchas tipo diana con quemado frontal.....	64
Preparación Final	54	Plancha.....	64

DIMENSIONES Y ESPECIFICACIONES

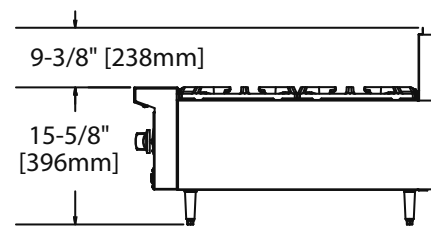
Vista Superior

Los anchos de los modelos pueden variar de acuerdo a la serie del modelo. (Ver la tabla a la izquierda)

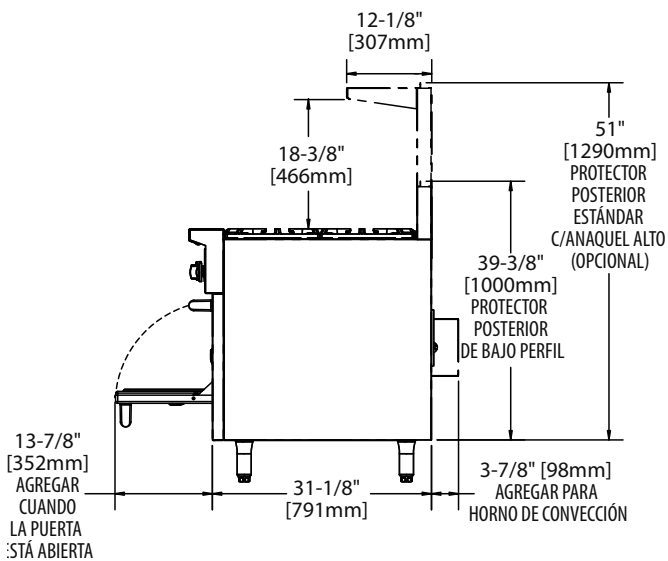


Serie	Ancho
GF24	600mm (23-5/8")*
GF36	900mm (35-1/2")* Mostrado
GF48	1200mm (47-1/4")
GF60	1500mm (59-1/2")
*Base de la estufa o parte superior de las estufas modulares	

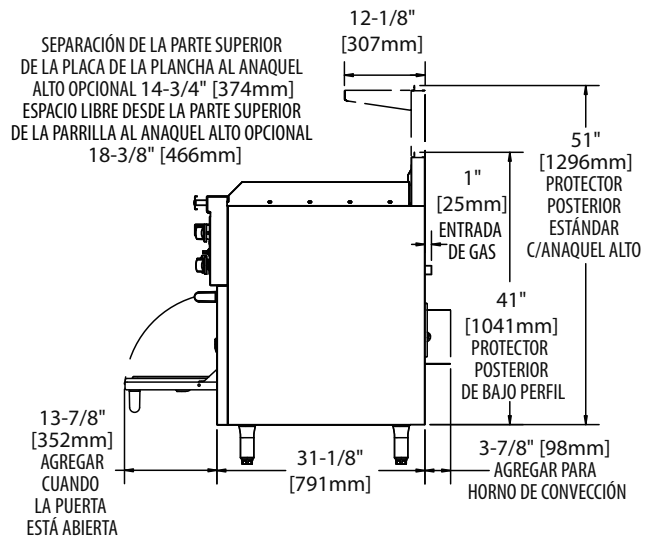
Vista Lateral de los Modelos GF24-_T O GF36-_T con Hornillas Modulares



Vista Lateral del Serie GF (Mostrando la Base de Convección Donde Aplique)



Vista lateral de la Serie GF de 60\" con Plancha/Parrilla Elevada



DIMENSIONES Y ESPECIFICACIONES continuación

Designaciones Base de los Modelos y Caudales de Entrada Totale

Modelo*	Descripción	Caudal			
		Natural Gas		Propane Gas	
		BTU/H	CE Grado kW	BTU/H	CE Grado kW
GF/GFE24-4L	Unidad de tamaño nominal de 24" (600 mm), 4 hornillas, horno ahorrador de espacio,	136,000	41.50	132,000	39.70
GF24-T	Unidad de tamaño nominal de 24" (600 mm), 4 hornillas, hornillas modulares	104,000	30.40	104,000	30.40
GF/GFE36-6R	Unidad de tamaño nominal de 36" (900 mm), 6 hornillas, horno convencional	194,000	56.70	188,000	54.90
GFE36-6C	Unidad de tamaño nominal de 36" (900 mm), 6 hornillas, horno de convección	194,000	56.70	188,000	54.90
GF36-T	Unidad de tamaño nominal de 36" (900 mm), 6 hornillas, hornillas modulares	156,000	45.60	156,000	45.60
GF/GFE36-TTR	Unidad de tamaño nominal de 36" (900 mm), 2 secciones de planchas "hot tops" tipo diana con quemado frontal, horno convencional	100,000	29.1	94,000	25.5
GFE36-TTC	Unidad de tamaño nominal de 36" (900 mm), 2 secciones de planchas "hot tops" tipo diana con quemado frontal, horno de convección,	100,000	29.1	94,000	25.5
GF/GFE48-LL	Unidad de tamaño nominal de 48" (1200 mm), 8 hornillas, 2 hornos ahorradores de espacio	272,000	79.60	264,000	77.20
GF/GFE60-10RR	Unidad de tamaño nominal de 60" (1500 mm), 10 hornillas, 2 hornos convencionales	336,000	98.20	324,000	94.60
GFE60-10RC	Unidad de tamaño nominal de 60" (1500 mm), 10 hornillas, 1 horno convencional, 1 horno de convección	336,000	98.20	324,000	94.60
GFE60-10CC	Unidad de tamaño nominal de 60" (1500 mm), 10 hornillas, 2 hornos de convección	336,000	98.20	324,000	94.60
GF/GFE60-6R24RR	Unidad de tamaño nominal de 60" (1500 mm), 6 hornillas, plancha/parrilla elevada de 24" (610 mm), 2 hornos convencionales	265,000	76.80	253,000	73.20
GFE60-6R24RC	Unidad de tamaño nominal de 60" (1500 mm), 6 hornillas, plancha/parrilla elevada de 24" (610 mm), horno convencional, 1 horno de convección	265,000	76.80	253,000	73.20
GFE60-6R24CC	Unidad de tamaño nominal de 60" (1500 mm), 6 hornillas, plancha/parrilla elevada de 24" (610 mm), 2 hornos de convección	265,000	76.80	253,000	73.20
GF/GFE60-6R24RS	Unidad de tamaño nominal de 60" (1500 mm), 6 hornillas, plancha/parrilla elevada de 24" (610 mm), horno convencional, base de almacenaje	227,000	65.70	221,000	63.90
GFE60-6R24CS	Unidad de tamaño nominal de 60" (1500 mm), 6 hornillas, plancha/parrilla elevada de 24" (610 mm), 1 horno de convección, base de almacenaje	227,000	65.70	221,000	63.90

* Los modelos que comienzan con el prefijo GFE cuentan con sistemas de encendido mediante chispa eléctrica para los pilotos. Los caudales son para instalaciones a alturas de hasta 2000 pies (610 m) por encima del nivel del mar

DIMENSIONES Y ESPECIFICACIONES continuación

Cada 12" (305mm) La sección Plancha de calor uniforme ("hot-top") es 5.3kW, substituyendo 2 hornillas abiertas (7.6kW cada uno)

Separaciones

Las Separaciones Aplican a Todos los Modelos Excepto donde se Indique lo Contrario			
Superficie	Lados Para Estufas	Lados Para Hornillas Modulares	Parte Posterior
Mínimo A Una Pared Combustible	14" (356mm)	6" (152mm)	6" (152mm)
Mínimo A Una Pared No Combustible	0"	0"	0"

Presión de Gas y Caudal de Entrada a los Quemadores Individuales

América del Norte

Serie GF de Garland	Nat., 4.5" CDA en el Distribuidor	LPG, 10" CDA en el Distribuido
	BTU/h	BTU/h
Hornillas (fallo de la llama)	26,000	26,000
Plancha de calor uniforme ("hot-top") FF (en vez de 2 quemadores de hornilla)	18,000	18,000
Cocinas con hornilla tipo diana de 36 pulgadas, por sección	3@10,333	3@10,333
Plancha (en vez de 2 quemadores de hornilla)(Tstat)	18,000	18,000
Asador de plancha elevado (3 quemadores)	3 @ 11,000	3 @ 11,000
Quemador de horno de 26" (H-Cast)(estándar o convección)	38,000	32,000
Horno ahorrador de espacio (H-Cast)	32,000	28,000

Comunidad Europea y Exportaciones Generales

Serie GF de Garland	Nat. (G20), 11.2 Mbar en el Distribuidor	LPG (G31), 24.9 Mbar en el Distribuido
	kW	kW
Hornillas (fallo de la llama)	7.6	7.6
Plancha de calor uniforme ("hot-top") FF (en vez de 2 quemadores de hornilla)	5.3	5.0
Cocinas con hornilla tipo diana de 36 pulgadas, por sección	3@3.0	3@2.7
Plancha (en vez de 2 quemadores de hornilla)(Tstat)	5.3	5.3
Asador de plancha elevado (3 quemadores)	3 @ 3.0	3 @ 3.0
Quemador de horno de 26" (H-Cast)(estándar o convección)	11.1	9.3
Horno ahorrador de espacio (H-Cast)	9.4	8.2

Tarifas Reducidas de la Entrada

Los grados de la entrada de approximate para las hornillas superiores ajustables fijaron en EL PUNTO BAJO:

DIMENSIONES Y ESPECIFICACIONES continuación

Garland GF Series	NAT(G20)		LPG(G31)	
	kW	m ³ /h	kW	m ³ /h
Quegador de Hornillas (fallo de la llama)	2.0	0.21	4.2	0.17
Quegador de Plancha de calor uniforme ("hot-top") (fallo de la llama)	2.75	0.29	4.9	0.20
Plancha (Tstat)	3.0	0.32	2.0	0.08
Asador de plancha elevado (3 quemadores total)	3.0	0.32	5.9	0.24
Cocinas con hornilla	2.7	0.28	4.0	0.16

Nota: la presión del distribuidor debe medirse en la espita de pruebas ubicada en la tubería de 3/4 de pulgada del distribuidor de gas.

Australia

Serie GF de Garland	Nat., 1.0 kPa en el Distribuidor		LPG, 2.49 kPa en el Distribuidor	
	H	Inyector	H	Inyector
Hornillas (fallo de la llama)	30.6	37 (2.64mm)	28.49	53 (1.51mm)
Plancha de calor uniforme ("hot-top") FF (en vez de 2 quemadores de hornilla)	19.0	47 (1.99mm)	18.15	1.2mm
Plancha "hot top" con quemado frontal (tipo diana)	36.5	52(1.61mm)	36.5	1.0mm
Plancha (en vez de 2 quemadores de hornilla)(Tstat)	19.0	47 (1.99mm)	18.15	1.2mm
Asador de plancha elevado (3 quemadores)	30.0	47 (1.99mm)	34.82	61 (0.99 mm)
Quegador de horno de 26" (H-Cast)(estándar o convección)	40.09	30 (3.26mm)	33.76	50 (1.78mm)
Horno ahorrador de espacio (H-Cast)	33.7	33 (2.87mm)	27.96	52 (1.61mm)

Tamaño de la Admisión de Gas

Anchura del Modelo	Conexión	El CE Modela la Conexión (IS07-1)
23-5/8" (600 mm) & 35-1/2" (900 mm)	3/4" NPT Conexión de Gas Trasera	3/4" (19.1mm) BSPT
47-1/4" (1200 mm) & 59-1/2" (1500 mm)	1" NPT Conexión de Gas Trasera	1" (25.4mm) BSPT

Categorías de Gas Aprobadas por la CE

País	Categoría de Gas	Tipo de Gas	Presión (mbar)
AT, CH, CY, CZ, DK, EE, ES, FI, GB, GR, HR, IE, IT, LT, LV, NO, PT, RO, SE, SI, SK, TR	I _{2H}	G20	20
BE, CH, CZ, ES, FR, GB, GR, HR, IE, IT, LU, PL, PT	I _{3P}	G31	37
AT, BE, CH, CZ, DE, ES, FR, GB, HU, NL	I _{3P}	G31	50
CH, CZ, ES, GB, GR, HR, IE, IT, PT	II _{2H3P}	G20	20
		G31	37
CH, CZ, ES, GB,	II _{2H3P}	G20	20
		G31	50

INTRODUCCIÓN

1. Compruebe que el embalaje no haya sufrido daños durante el tránsito. Con cuidado saque la unidad del embalaje y vuelva a comprobar que no existan daños. Si han ocurrido daños, infórmelo inmediatamente al transportista.
2. Los alambres que retienen el material de empaque deben ser quitados de las unidades. Cualquier material protector que cubra las partes de acero inoxidable también debe ser quitado.
3. Todos los equipos vienen suministrados con patas de 6" (152 mm) a menos que se especifiquen de tarima para instalarse en una base cóncava, con ruedas locas o con pies bridados para instalarse sobre una plataforma. Las unidades de 48" (1219 mm) y 60" (1524 mm) de ancho vienen con patas instaladas de fábrica. Se requiere instalar la estufa sobre una base cuando está se ubique sobre un piso combustible.
4. El tipo de gas y la presión de suministro para las cuales el equipo fue ajustado en la fábrica están indicados en la placa de características y en el embalaje. El tipo y presión del gas suministrado a la unidad deben ser los especificados. Este tipo del suministro de gas debe utilizarse.

5. NO quite ninguna etiqueta de advertencia fijada permanentemente o la placa de características del artefacto, puesto que ello puede invalidar la garantía del fabricante

Placa de Características

Todos los caudales de entrada a los quemadores están indicados en la placa de características, que está ubicada detrás del panel frontal inferior desplegable debajo de la puerta del horno.

Información de Seguridad

Advertencia: Las piezas accesibles pueden llegar a ser calientes durante uso. Los niños jóvenes deben ser mantenidos ausentes.

Esta aplicación está para para uso profesional y se debe utilizar solamente por los personales calificados.

Esta aplicación no se piensa para uso de personas (niños incluyendo) con capacidades físicas, sensoriales o mentales reducidas, o la carencia de la experiencia y del conocimiento, a menos que hayan sido dados la supervisión o la instrucción referente al uso de la aplicación por una persona responsable de su seguridad.

INSTALACIÓN

Este producto ha sido certificado como equipo de cocina comercial y debe ser instalado por personal profesional según lo especificado. ESTE ARTEFACTO NO ES RECOMENDADO PARA INSTALACIONES RESIDENCIALES.

Garland sugiere que, en lo posible, la instalación, mantenimiento y reparación sean realizados por su agencia de servicio local autorizada por Garland/US Range.

Emplazamiento

El piso sobre el cual el artefacto será colocado debe ser capaz de soportar adecuadamente el peso del artefacto y cualquier equipo auxiliar adicional. A las unidades con horno se les deben colocar patas o ruedas si van a ser instaladas sobre pisos combustibles. Debe proveerse una separación adecuada para el mantenimiento y la apropiada operación.

Artefactos Equipados con Ruedas Locas

1. La instalación será hecha con un conector que cumpla con la norma para "Conectores para artefactos de gas móviles", ANSI Z21.69/CSA 6.16, Apéndices Z21.69B-2006/CSA 6.16B-2006 (o última edición), y un dispositivo de desconexión rápida que cumpla con la norma para "Desconectores rápidos para uso con combustible de gas", ANSI Z21.41/CSA 6.9, Apéndices Z21.41A-2005/CSA 6.16A-2005 (o última edición).
2. Las ruedas locas delanteras del artefacto están equipadas con frenos para limitar el movimiento del artefacto sin colocar ninguna tensión sobre el conector o el dispositivo de desconexión rápida o la tubería asociada a los mismos.
3. Debe estar consciente de que el dispositivo de restricción requerido está fijado a un agujero cortado en el panel lateral, y si fuese necesaria la desconexión de dicha restricción, asegúrese de conectar de nuevo el dispositivo una vez que el artefacto haya sido devuelto a su posición original.

Artefactos Equipados con Patas

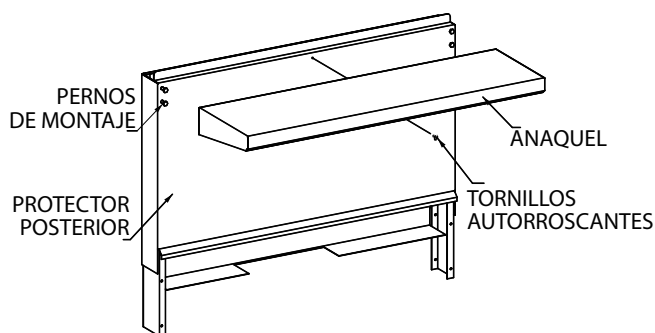
1. Levante el frente del artefacto y coloque bloques debajo del mismo. No coloque el artefacto sobre su espalda.
2. Las patas están roscadas para atornillarse fácilmente dentro de los orificios proporcionados en la parte de abajo de la estufa.

3. Una vez que las patas han sido fijadas y aseguradas, las mismas pueden ser ajustadas para nivelar el artefacto y compensar cualquier desnivel en el piso.

Instalación del Anaquel al Protector Posterior

Nota: el anaquel puede ser instalado antes o después de instalar el protector posterior a la estufa.

1. Afloje los 4 pernos en el frente del protector posterior aproximadamente 1/4" (6 mm).
2. Alinee los 4 agujeros ranurados al dorso del anaquel con los 4 pernos en el protector posterior.
3. Deslice el anaquel hacia abajo hasta que los 4 pernos encajen en la parte ranurada del agujero.
4. Apriete los 4 pernos para asegurar el anaquel.
5. Sólo en las unidades de 60", instale un tornillo autorroscante pasándolo a través del agujero en la parte inferior del anaquel y luego a través del protector posterior y apriételo.

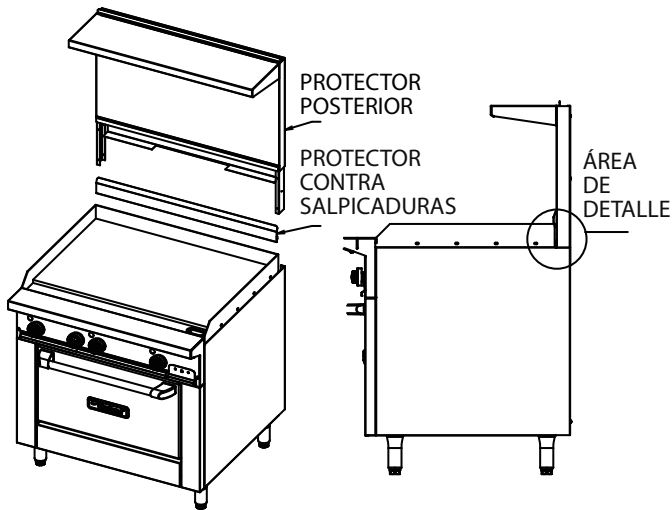


Direcciones de Montaje del Protector Posterior con Anaquel Alto o Salamandra

1. La parte de atrás de la estufa debe ser fácilmente accesible.
2. Por favor refiérase a las instrucciones de instalación incluidas con la parrilla salamandra o el derretidor de queso para instrucciones adicionales sobre dichas unidades.

INSTALACIÓN continuación

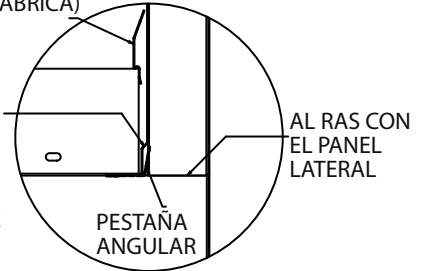
- Para instalarlos en el protector posterior o el anaquel alto, colóquelo en la parte de atrás de la estufa, deslizando las ménsulas de soporte dentro de las aberturas en los lados del cuerpo principal.
- Para estufas con planchas, debe tenerse cuidado al montar el protector posterior o el anaquel alto. El panel delantero del protector posterior de acero inoxidable o anaquel alto tiene un reborde de extrusión en la parte inferior. Este reborde NO debe ir sobre la protector contra salpicaduras posterior; si ese fuese el caso, el protector posterior no encajará correctamente y la estufa no evacuará correctamente los gases de combustión. Refiérase a la ilustración para la instalación correcta.



Instalación Correcta

SUJETE EL PROTECTOR CONTRA SALPICADURAS DE LA PLANCHA A LA PESTAÑA POSTERIOR DE LA PLANCHA (COLOCADA SOBRE LA PLANCHA AL DESPACHARSE DE LA FÁBRICA)

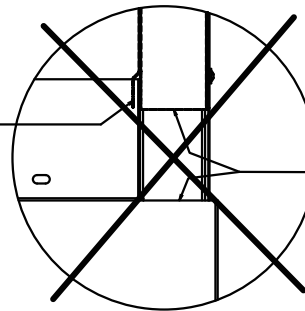
EL REBORDE DEL PROTECTOR POSTERIOR VA DETRÁS DE LA PESTAÑA POSTERIOR DE LA PLANCHA Y SOBRE LA PESTAÑA ANGULAR



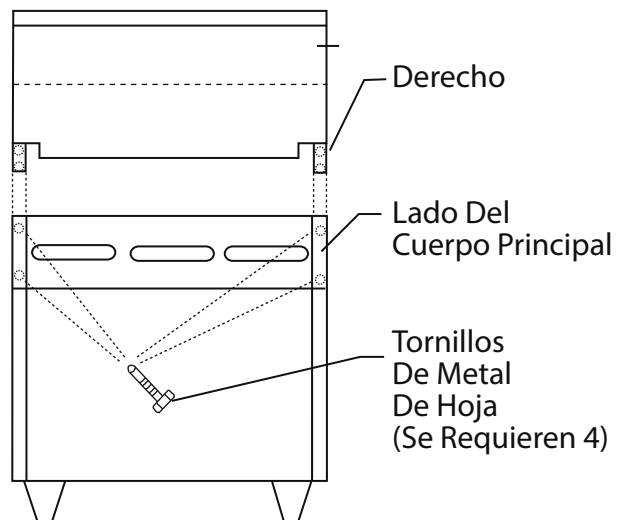
Instalación Incorrecta

BACKGUARD LIP ON BACK FLANGE OF GRIDDLE

NOT FLUSH WITH SIDE PANEL



- Fije bien las ménsulas de soporte a los lados de la caja de los quemadores con (4) tornillos de metal de hoja proveyeron.



INSTALACIÓN continuación

Ventilación y Suministro de Aire

La intención de las notas siguientes es la de dar una orientación general. Para las recomendaciones detalladas, refiérase a los códigos pertinentes del país de destino. Estas aplicaciones serán instaladas en un cuarto con la suficiente ventilación de prevenir la ocurrencia de concentraciones peligrosas de subproductos de la combustión.

Se requiere que la sala que contenga el artefacto tenga un respiradero permanente. El área mínima efectiva del respiradero está relacionada con la máxima capacidad nominal de calor del artefacto y será de 4.5 cm² por kW en exceso de 7 kW.

La ventilación apropiada es muy importante para una buena operación. El método ideal de ventilación para una Parrilla Salamandra es el uso de una campana de cocina correctamente diseñada que debería extenderse seis pulgadas (152 mm) más allá de todos los lados del artefacto y seis (6) pies seis (6) pulgadas (1981 mm) del piso.

Los respiraderos deberán ser de tal tamaño que compensen los efectos de cualquier ventilador extractor en el local. Un ventilador extractor fuerte creará un vacío en el cuarto. Para que un sistema de escape funcione correctamente, aire de reemplazo debe entrar al cuarto en el cual está ubicado el respiradero. La cantidad de aire extraída debe ser igual a la cantidad que entra, (aire de reposición). Un desequilibrio entre el aire aspirado y el aire de reemplazo puede causar una degradación en el desempeño del artefacto.

Todos los quemadores y pilotos de gas necesitan de suficiente aire para funcionar. No deberán colocarse objetos grandes delante del artefacto que pudieran obstruir el flujo de aire en la parte delantera.

Regulaciones Estatutarias

En los países europeos, la instalación de este artefacto debe ser realizada por una persona competente y de acuerdo con las pertinentes regulaciones, códigos de práctica y publicaciones relacionadas del país de destino.

En los Estados Unidos, la instalación debe cumplir con el Código de Gas de Combustible Nacional ANSI Z223.1, o última edición, NFPA No 54 - última edición o el código local para asegurar una operación segura y eficiente. En Canadá, la instalación debe cumplir con CSA B149.1 y los códigos locales.

Cláusula Específica para Australia

Este artefacto debe ser instalado de acuerdo con las instrucciones del fabricante, las regulaciones locales referentes a las conexiones de gas y los requisitos del código de instalación AS 5601. Todos los ajustes y calibraciones de los quemadores deben ser realizados por un técnico calificado en asuntos de gas.

Conexiones Eléctricas (donde aplique)

IMPORTANTE - Este artefacto debe estar eléctricamente conectado a tierra de acuerdo con los códigos locales, o en ausencia de estos con el Código Eléctrico Nacional.

Modelos De Hornos De Convección Con 220/240 Voltios

Cuando el artefacto es pedido y viene equipado para funcionar con 220/240 voltios, la línea de suministro debe estar conectada a las terminaciones de alambrado ubicadas dentro de la caja de bornes en la parte de atrás del artefacto.

Para facilitar la conexión a la línea de suministro, hay una tapa desprendible en la caja de bornes.

La conexión permanente al servicio eléctrico debe cumplir con los códigos locales, o en ausencia de códigos locales, con el código eléctrico nacional.

Conexión de Gas

Durante la fase de planificación de la instalación, se deberá consultar a las autoridades de gas locales a fin de establecer la disponibilidad de un suministro adecuado de gas y de asegurar que el medidor es adecuado para el caudal de gas requerido. El sistema de tubería del medidor a los artefactos debe ser del tamaño apropiado.

A todo artefacto fijo (no móvil) DEBE conectarse una válvula manual de corte de gas corriente arriba del artefacto para proporcionar un medio de aislamiento para efectos de mantenimiento o limpieza. Se debe proporcionar una unión o un medio similar de desconexión entre la válvula de gas y el artefacto.

Una válvula manual debe instalarse en el suministro de gas a la cocina para permitir aislar dicho suministro en una emergencia. Siempre que sea práctico, la misma deberá ubicarse o bien fuera de la cocina o cerca de una salida en una posición fácilmente accesible.

INSTALACIÓN continuación

Cuando ello no sea práctico, se instalará un sistema automático de válvula de aislamiento que pueda accionarse desde una posición fácilmente accesible o cerca de la salida.

En los sitios donde se instale una válvula de aislamiento manual o donde el sistema automático puede ser reinicializado, un aviso DEBE ser colgado que indique:

“TODO LOS QUEMADORES Y VÁLVULAS PILOTO CORRIENTE ABAJO DEBEN ESTAR APAGADOS ANTES DE INTENTAR RESTABLECER EL SUMINISTRO. DESPUÉS DE HABER ESTADO CERRADO POR UN LARGO PERÍODO, PURGUE ANTES DE RESTABLECER EL SUMINISTRO DE GAS.”

Notas de Instalación

Antes de asamblea y de la conexión, compruebe la fuente de gas.

- A. El tipo de gas para el cual la unidad está equipada está estampado en la placa de características ubicado en el panel delantero inferior; simplemente saque la bandeja de goteo para acceder a ella fácilmente. Conecte una unidad estampada “NAT” únicamente a gas natural; conecte aquellas estampadas “PRO” únicamente a gas propano.
- B. Si esta es una instalación nueva, solicítele a las autoridades de gas que comprueben el tamaño del medidor y de la tubería para asegurarse de que la unidad sea suministrada con la presión de gas requerida para hacer funcionar la unidad.
- C. Si éste es un equipo adicional o un reemplazo, solicítele a un técnico de gas calificado que compruebe la presión de gas para asegurarse de que las instalaciones de gas existentes (tubería del medidor, etc.) suministrarán el gas a la unidad con una caída de presión no mayor de 0.15 Kpa de columna de agua.

- D. Asegúrese de que las tuberías, uniones y conexiones nuevas han sido instaladas de manera limpia y que han sido purgadas, de modo que ningún compuesto de tubería, rebabas, etc., obstruya los pilotos, válvulas y/o controles. Utilice un sellador de uniones de tubos que sea resistente al gas licuado de petróleo.

NOTA: la presión de gas debería ser comprobada cuando la unidad ya esté instalada y todos los demás equipos en la misma línea estén encendidos. La presión operativa de gas en el distribuidor debe ser la misma que la especificada en la placa de datos. Si fuese necesario, el ajuste de presión puede ser hecho en el regulador de presión suministrado con el artefacto.

El regulador de presión del artefacto provisto por la fábrica ya viene preajustado a la presión correcta del distribuidor. En la instalación en sí, podría requerirse verificar y ajustar la presión del distribuidor. Encienda y mantenga en funcionamiento por lo menos un quemador mientras se esté verificando la presión del distribuidor en la espita de pruebas ubicada en el distribuidor de artefacto, y ajuste el regulador de presión del artefacto según sea necesario.

El artefacto y su válvula de cierre individual deben desconectarse del sistema de tubería de suministro de gas durante cualquier prueba de presión de dicho sistema a presiones superiores a 1/2” psi (3.45 kPa).

Preparación Final

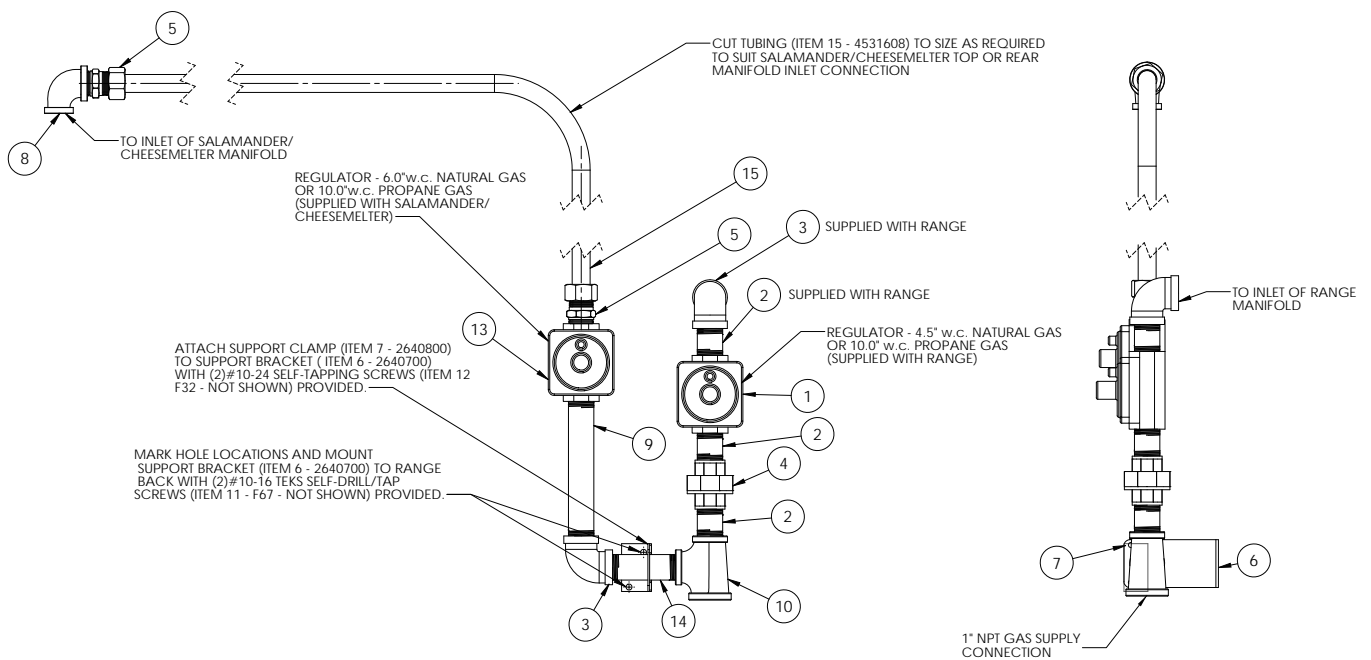
NOTA: Su nueva estufa tiene una capa de plástico para ayudar a proteger el acabado contra rayaduras durante el transporte. Esta película plástica protectora deberá ser retirada antes de poner a funcionar la estufa.

INSTALACIÓN continuación

Kit Opcional de Interconexión de Gas # 4523975

Para conectar las salamandras montadas sobre estufas a la estufa.

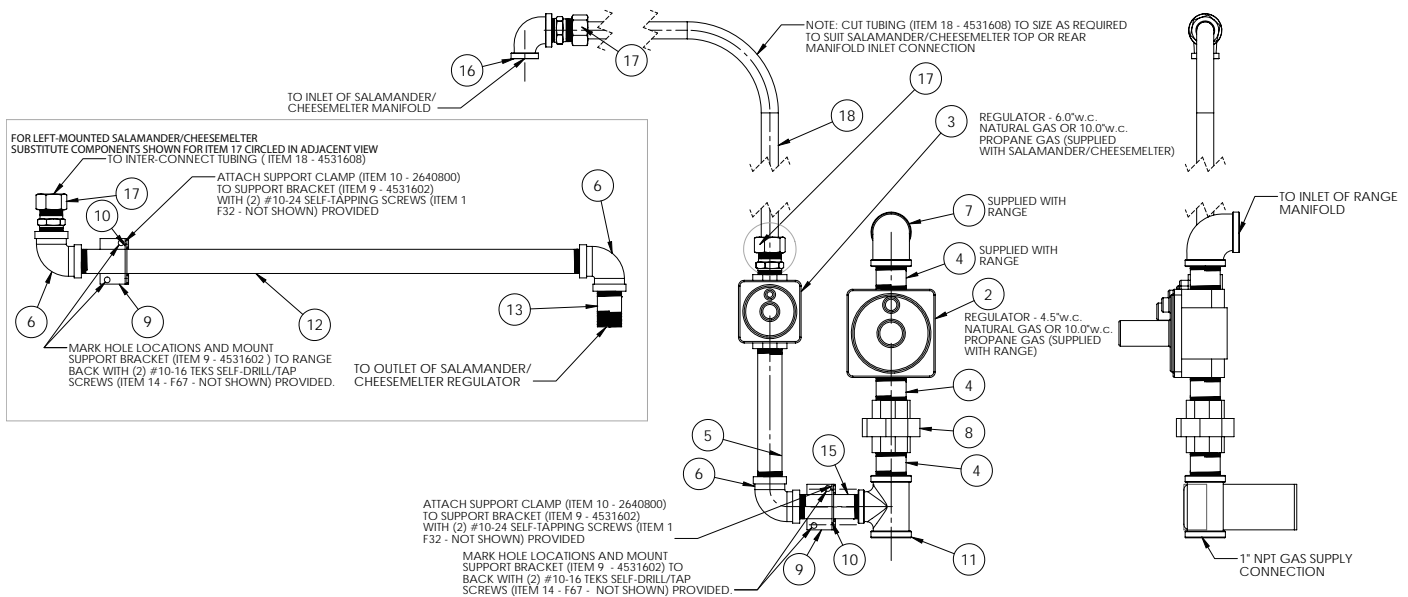
La serie GF de estufas Garland puede equiparse con una salamandra a gas especial para adaptarse a las estufas. Las salamandras pueden conectarse al suministro de gas de manera independiente o interconectarse a la estufa. Vea en los Dibujos las varias opciones de montaje sobre una estufa de 36" (900mm), de 48" (1200mm) o de 60" (1500mm).



15	4531608	3/4" X 51" X 33" TUBING	1
14	G01738-11	3/4" NPT X 3.5" PIPE NIPPLE	1
13	2127503/2127500	6.0 w.c. 3/4" NPT REG. NATURAL GAS/10 w.c. 3/4" NPT REG. PROPANE GAS - SUPPLIED WITH SALAMANDER/CHEESEMELTER	1
12	F32	SCREW - 10-24 X 1/2" PAN HD. SELF-TAP TYPE F (NOT SHOWN)	2
11	F67	SCREW - #10-16 X 1/2" HEX WASHER HEAD TEKS SELF DRILL/TAP (NOT SHOWN)	2
10	G03716-1	3/4" NPT X 3/4" NPT X 1" NPT REDUCING TEE	1
9	G01738-5	3/4" NPT X 6.5" PIPE NIPPLE	1
8	G01474-9	3/4" NPT X 1/2" NPT 90 DEG. REDUCING ELBOW	1
7	2640800	PIPE SUPPORT BRACKET CLAMP	1
6	2640700	PIPE SUPPORT BRACKET	1
5	3013000	3/4" CC X 3/4" NPT STRAIGHT FITTING	2
4	G01963-1	3/4" NPT PIPE UNION	1
3	G01474-5	90 DEGREE ELBOW 3/4" NPT (ONE SUPPLIED WITH RANGE)	2
2	G01738-14	3/4" NPT X 2IN PIPE NIPPLE (ONE SUPPLIED WITH RANGE)	3
1	NAT: 2127502/4525047 PRO: 2127500/4525048	4.5 w.c. 3/4" NPT/3/4" ISO 7-1 REG. NATURAL GAS OR 10 w.c. 3/4" NPT/3/4" ISO 7-1 REG. PROPANE GAS - SUPPLIED W/RANGE	1
ITEM NO.	PART NUMBER	DESCRIPTION	QTY

Optional Interconnect Gas Kit
36in (900mm) G/U/X
Part # 4531606

PRUEBAS Y AJUSTES



Optional Interconnect Gas Kit
48in (1200mm) & 60in (1500mm) G/U/X
Part # 4531606

18	4531608	3/4" X 51" X 33" TUBING	1
17	3013000	3/4" CC X 3/4" NPT STRAIGHT FITTING	2
16	G01474-9	3/4" NPT X 1/2" NPT 90 DEG. REDUCING ELBOW	1
15	G01738-11	3/4" NPT X 3.5" PIPE NIPPLE	1
14	F67	SCREW - #10-16 X 1/2" HEX WASHER HEAD TEKS SELF-DRILL/TAP (NOT SHOWN)	4
13	G01738-14	3/4" NPT X 2.000 PIPE NIPPLE	1
12	G01738-16	3/4" NPT X 2.750 PIPE NIPPLE	1
11	3012800	1" NPT X 1" NPT X 3/4" NPT REDUCING TEE	1
10	2640800	PIPE SUPPORT BRACKET CLAMP	2
9	4531602	PIPE SUPPORT BRACKET 48/60	2
8	4530189	1" NPT PIPE UNION	1
7	076029-171	1" NPT 90 DEGREE ELBOW(SUPPLIED WITH RANGE)	1
6	G01474-5	90 DEGREE ELBOW 3/4" NPT	3
5	G01738-5	3/4" NPT X 6.5" PIPE NIPPLE	1
4	076029-204	1" NPT X 2" PIPE NIPPLE (ONE SUPPLIED WITH RANGE)	3
3	2127503/2127500	4.5 w.c 3/4" NPT REG. NATURAL GAS/10 w.c 3/4" NPT REG. PROPANE GAS - PROVIDED WITH SALAMANDER/CHEESEMELTER	1
2	NAT: 4522421/4525049 PRO: 4522422/4525050	4.5" w.c 1" NPT/ 1" ISO 7-1 REG. NATURAL GAS OR 10 w.c 1" NPT/1" ISO 7-1 REG. PROPANE GAS - PROVIDED WITH RANGE	1
1	F32	SCREW - #10-24 X 1/2" PAN HD SELF-TAP TYPE F (NOT SHOWN)	4
ITEM NO.	PART NUMBER	DESCRIPTION	QTY

Pruebas

Todas las conexiones de los accesorios y tuberías deberán ser probadas para asegurarse de que no existan fugas. Utilice detectores de fugas de gas aprobados, una solución de jabón o equivalentes para hacer pruebas sobre y alrededor de todas las conexiones de los accesorios y tuberías. ¡NO USE UNA LLAMA! Para tener acceso a todas las líneas de gas y a los accesorios se requiere que el/los panel(es) de válvula, el/los panel(es) delantero(s) inferior(es), y/o la(s) rejilla(s) de los hornos sean retirados. Pudiera ser necesario quitar, o por lo menos levantar y apuntalar bien la(s) plancha(s), las plancha(s) de calor uniforme ("hot tops"), y/o la(s) rejilla(s) superior(es). Todas las partes retiradas, (incluso los sujetadores), deberían ser debidamente resguardadas para poder volver a rearmar las partes.

1. Asegúrese de que todas las válvulas y los termostatos están la posición apagada ("OFF").

2. Encienda la válvula de suministro de gas principal. Encienda todos los pilotos de la sección superior.
3. Haga pruebas de fugas a todas las válvulas y accesorios tal como se describió a principios de esta sección. Corrija cualquier fuga que se detecte y vuelva a realizar las pruebas.
4. Encienda el piloto del horno.
5. Ajuste el termostato del horno al máximo. Haga pruebas de fugas a todas las válvulas y accesorios tal como se describió al inicio de esta sección. Corrija cualquier fuga que se detecte y vuelva a realizar las pruebas.
6. Cierre todas las válvulas y ajuste el dial del termostato a la posición apagada ("OFF") o a la más baja. Todas las unidades son probadas y ajustadas en la fábrica; sin embargo, los quemadores y los pilotos deberán ser comprobados al instalarse y ajustarse de ser necesario.

OPERACIÓN

Tecnología de Falla de Llama

Las estufas a gas de la serie Garland GF cuentan con una tecnología de falla total de llama (también conocida como seguridad de llama). Es un sistema sencillo que monitorea la existencia de una llama de gas. Puede utilizarse en la mayoría de los artefactos de gas y apagará el suministro de gas a cualquier quemador que utilice el sistema cuando una llama piloto de encendido no esté presente.

Los sistemas de fallas de llama han estado disponibles durante muchos años y es el estándar aceptado de la agencia "CE" para la aprobación de artefactos a gas europeos. En América del Norte esta tecnología está logrando mayor aceptación y a varios niveles del gobierno lo están haciendo obligatorio para las escuelas y otras instituciones gubernamentales.

Cómo Funciona la Tecnología de Falla de Llamas

Para estufas a gas de restaurantes, hay tres elementos funcionando en un sistema de falla de llama; estos son: una válvula de seguridad, el termopar y el piloto.

Válvula de Seguridad

El control SIT utilizado en la nueva serie de estufas Garland para restaurantes funciona tanto como mecanismo para controlar la temperatura del horno (termostato) al igual que como válvula de seguridad para el sistema de falla de llama. Esta válvula contiene un imán que al cargarse eléctricamente mantendrá abierta una válvula de retención que permite que el gas fluya a través de la válvula según lo requiera el piloto o el quemador principal. El imán se carga a través de una señal eléctrica enviada de un termopar cuando una llama está presente. Cuando no hay llama presente, no se envía ninguna señal y el imán se suelta y cierra la válvula de retención. Puesto que nada de gas fluye a través de la válvula si el piloto no está encendido, no se puede acumular el gas, disminuyendo los riesgos de una situación peligrosa.

Termopar

El termopar está colocado de tal manera que la punta del mismo entra en contacto con la llama piloto cuando ésta está encendida. Al quedar expuesto a una llama, un termopar que esté funcionando correctamente producirá una pequeña señal eléctrica medida en milivoltios. La señal es transferida a través del cable eléctrico que conecta el termopar a la válvula de seguridad en el control SIT, y al imán dentro de la válvula, de ese modo energizándolo. De nuevo, cuando se energiza

al imán, éste es capaz de mantener la válvula de retención en un estado abierto permitiendo que el gas fluya a través de la válvula al quemador(es) y el piloto(s). Si el piloto llegase a apagarse, se parará la generación de milivoltios y el imán en la válvula de seguridad se soltará cerrando el suministro de gas.

Piloto

El piloto proporciona la llama que el termopar utiliza para generar los milivoltios. Cuando todo los tres componentes arriba indicados se juntan se crea un sistema de Falla de Llama.

Los principios arriba indicados aplican independientemente de cuál sección de la estufa está utilizando la tecnología de falla de llama. Al operar quemadores de hornilla o planchas de calor uniforme ("hot-tops"), la válvula de máximo-mínimo también actúa como una válvula de seguridad en el sistema. El mismo termostato SIT utilizado en la sección del horno de la estufa es utilizado para los modelos de plancha plana.

Funcionamiento de los Quemadores

Advertencia: En el caso que se observase que una válvula o control del termostato se atasque o funcionase mal, NO encienda los pilotos ni continúe operando el artefacto hasta que un técnico de servicio autorizado haya inspeccionado el mismo. El no hacerlo pudiera resultar en lesiones.

Quemadores de Hornillas

Encendido

1. Presione la perilla de la válvula, y gírela en dirección contraria a las agujas del reloj a la posición "★" de encendido.
2. Mientras mantiene la perilla de válvula totalmente presionada, encienda el quemador del piloto con un cerillo o un dispositivo para encender barbacoas.

Nota: En las estufas equipadas con encendedores de chispa eléctrica, presione el botón de encendido y verifique que el piloto se encienda. Si el quemador no llegase a encenderse en un lapso de 4 segundos, cierre la válvula del quemador y repita los pasos 1 al 2. Si el encendido continúa fallando, consulte a la agencia de servicio autorizada por la fábrica.

3. Al encenderse el piloto continúe manteniendo presionada la perilla de la válvula durante por lo menos 30 segundos, y luego suéltela. Si el piloto se apagase, espere 5 minutos, y luego repita el procedimiento a partir del paso 1.

OPERACIÓN continuación

4. Cuando el piloto ya permanezca encendido, presione la válvula hacia adentro de nuevo y gírela en dirección contraria a las agujas del reloj a la posición de llama deseada, para encender el quemador.

Apagamiento

1. Para apagar el quemador y aún dejar que el piloto permanezca encendido, gire el dial a la posición de "★" encendido.
2. Para apagar el quemador y el piloto, gire el dial al símbolo circular "OFF". El dispositivo de seguridad se desconectará en un lapso de 60 segundos.

Plancha "hot top" con quemado frontal (tipo diana)

Encendido

1. Presione la perilla de la válvula, y gírela en dirección contraria a las agujas del reloj a la posición "★" de encendido.
2. Mientras mantiene la perilla de la válvula totalmente presionada, presione el botón de encendido y observe si el piloto se enciende. Si no se encendiese, presione el botón de encendido repetidamente hasta que lo haga.

Nota: En las estufas equipadas con encendedores de chispa eléctrica, presione el botón de encendido y verifique si el piloto se enciende. Si el quemador no llegase a encenderse en un lapso de 4 segundos, cierre la válvula del quemador y repita los pasos 1 al 2. Si el encendido continúa fallando, consulte a la agencia de servicio autorizada por la fábrica.

3. Al encenderse el piloto continúe manteniendo presionada la perilla de la válvula durante por lo menos 30 segundos, y luego suéltela. Si el piloto se apagase, espere 5 minutos, y luego repita el procedimiento a partir del paso 1.
4. Cuando el piloto ya permanezca encendido, presione la válvula hacia adentro de nuevo y gírela en dirección contraria a las agujas del reloj a la posición de llama deseada, para así encender el quemador.
5. Para una llama baja o para hervir a fuego lento, presione la perilla de la válvula y gírela en dirección contraria a las agujas del reloj a la posición de llama baja.
6. Surface plates are capable of reaching very high temperatures, solid hot tops 380C(716F) front-fired target tops 585C(1085F).

Apagamiento

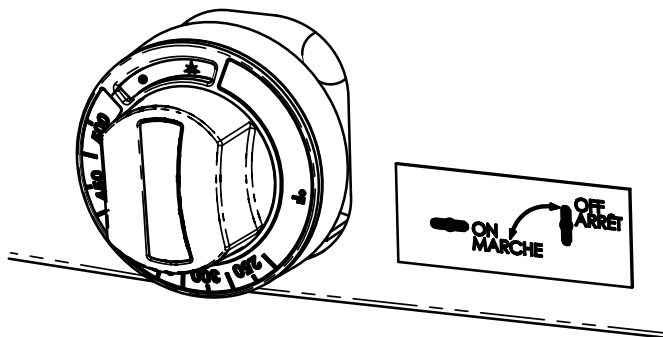
1. Para apagar el quemador y aún dejar que el piloto permanezca encendido, gire el dial a la posición de "★" encendido.
2. Para apagar el quemador y el piloto, gire el dial al símbolo circular "OFF". El dispositivo de seguridad se desconectará en un lapso de 60 segundos.

Hornos (Convencionales)

Encendido

1. Baje el panel de protección delantero debajo de la puerta de horno y levante el fondo del hogar del horno para acceder con facilidad al piloto de horno.
2. Gire la perilla de control de horno (figura 1) a la posición "★" y luego presiónela para abrir el flujo de gas a través del dispositivo de seguridad al piloto.

Figura 1



3. Mientras mantiene presionada la perilla, encienda al piloto con un cerillo o un encendedor de barbacoas o use el encendido con chispa (de ser proporcionado) para encender el piloto.
4. Siga aguantando la perilla durante 15 segundos después de haberse encendido, y luego libérela. El piloto debería permanecer encendido.
5. Si el quemador piloto no se encendiese o no se queda encendido, espere 5 minutos y repita los pasos 2 al 4.
6. Vuelva a colocar la solera o cierre el panel de protección, luego gire el termostato del horno a la temperatura de cocción deseada.

OPERACIÓN continuación

7. Para apagar el quemador principal, gire la perilla de control (figura 1) a la posición "★"

Advertencia: tenga cuidado al abrir la puerta del horno mientras ésta esté en uso. Aire o vapor calientes pudieran causar lesiones.

Apagado

Si se requiere apagar el piloto, presione la perilla del termostato del horno y gírela al símbolo "●". El sistema se desacoplará en 60 segundos.

Hornos de Convección

El horno de estufa de aire forzado consiste en una cámara de preparación de alimentos completamente sellada del área de combustión. Esto elimina la posibilidad de contaminación con los productos de la combustión y permite un método eficiente de circular el aire caliente dentro de la cámara de cocción.

Durante el proceso de cocción en un horno convencional, una barrera de vapor y una capa de aire "fresco" cubre el área expuesta del producto. En un horno de aire forzado, el ventilador empuja el aire caliente sobre y alrededor del producto, barriendo la barrera de vapor y el aire fresco, permitiendo así una penetración más rápida del calor. Esta acción permite el uso de temperaturas más bajas y de tiempos de cocción más cortos.

La regla básica para determinar la temperatura de cocción es reducir la temperatura de ajuste en aproximadamente 80°F, (28°C), de aquella que usaría en un horno convencional. El producto debería ser controlado en un punto a mitad del tiempo requerido en un horno convencional.

Encendido

1. Baje el panel de protección delantero debajo de la puerta de horno.
2. Pulse y mantenga pulsada la perilla de la válvula del termostato de control (figura 1) y gírela en sentido contrario al de las agujas del reloj a la posición de encendido "★".
3. Mientras mantiene la perilla totalmente presionada, oprima el botón encendedor rojo y cerciórese de que la llama piloto se encienda. Si no se encendiese, presione el botón de encendido repetidamente hasta que lo haga.

Nota: En las estufas equipadas con encendedores de chispa eléctrica, presione el botón de encendido y verifique si el piloto se enciende. Si el quemador no llegase a encenderse en un lapso de 4 segundos, cierre de la válvula de quemador y repita los pasos 1 al 2. Si el encendido continúa fallando, consulte a la agencia de servicio autorizada por la fábrica.

4. Cuando el piloto quede encendido, siga presionando totalmente la perilla de la válvula durante 15 segundos, y luego libérela. Si el piloto se apagase, espere cinco (5) minutos, y luego repita los pasos 2 al 4.

Inicio

1. Ajuste el interruptor de encendido a la posición "COOK" (cocinar).
2. Gire el termostato al ajuste deseado.

Enfriamiento

1. Gire la perilla de la válvula del horno a la posición "★"; esto prevendrá que el quemador del horno principal entre en un ciclo de encendido y apagado (figura 1).
2. Gire el termostato a su ajuste inferior.
3. Abra la puerta del horno.

Advertencia: tenga cuidado al abrir la puerta del horno mientras ésta esté en uso. Aire o vapor calientes pudieran causar lesiones.

4. Ajuste el interruptor de encendido a la posición "COOL DOWN" (enfriar).
5. Una vez que el horno se haya enfriado, apague el interruptor de encendido (posición "OFF") y cierre la puerta de horno.

Apagado

1. Si se requiere apagar el piloto, presione la perilla del termostato del horno y gírela al símbolo "●". El sistema se desacoplará en 60 segundos.
2. El interruptor de encendido debería estar en la posición apagada ("OFF").

OPERACIÓN continuación

Sugerencias de Operación

El motor en su horno de convección de estufa no requiere mantenimiento ya que está construido con cojinetes de bolas sellados autolubrificantes. Está diseñado para proporcionar un servicio duradero cuando se trata con el cuidado normal. Le sugerimos seguir las siguientes sugerencias para el cuidado de su motor.

- A. Cuando el motor está funcionando, el mismo se enfría internamente por el aire que entra por la parte de atrás de la carcasa del motor, siempre y cuando se haya dejado una separación apropiada.
- B. Ya que la rueda de soplador está en la cavidad de horno, la misma está a la misma temperatura que el horno. Si el motor es parado mientras el horno está caliente, el calor de la rueda del soplador es conducido por el eje a la armadura del motor. Esta acción podría acortar la vida de motor.
- C. Recomendamos que al final del período de horneado o asado, cuando el horno no estará operando durante cierto período del tiempo o antes de apagarlo completamente, que las puertas queden abiertas y que, mediante el uso de la posición de enfriamiento en el interruptor del ventilador, el ventilador siga funcionando durante al menos 20 minutos. El ventilador ("FAN") nunca deberá apagarse (posición "OFF") cuando la sección del horno esté en uso.
- D. Todas las unidades de los modelos de hornos de convección tienen un orificio ajustable de ventilación para el control de la humedad. El control del orificio de ventilación es una tapa deslizante dentro de la cavidad del horno. Deslizándolo el orificio de ventilación de izquierda a derecha incrementará o disminuirá la cantidad de humedad dentro del horno durante la cocción. El grado de humedad o sequedad del producto final dictará el ajuste del orificio de ventilación. Para agilizar el tiempo de precalentamiento cierre el orificio de ventilación durante el mismo.

Planchas Controladas Mediante el Termostato

Consulte el curado de la plancha antes de usarla.

1. Para las instrucciones generales de encendido de las planchas de termostato, refiérase a la sección anterior titulada "HORNO (CONVENCIONAL)". (Págs 2 al 7)
2. Los pilotos deberán encenderse desde el panel delantero con un cerillo extendido o un encendedor de barbacoas largo. Si fuese necesario, los platos de plancha pueden ser alzados en el frente y dejados bien bloqueados.

3. Encienda los pilotos ubicados a la izquierda delantera de cada quemador.
4. Los bulbos de detección deben estar totalmente insertados en sus sostenedores individuales, los cuales están ubicado en la parte oculta de la plancha. Para comprobar la llama del quemador de la plancha, ajuste el termostato a su punto máximo y luego retorne al piloto.
5. Si la plancha ha sido levantada para encender los pilotos, bájela cuidadosamente a su posición, teniendo cuidado de no dejar ninguna parte del tubo capilar dentro del compartimiento del quemador. Vuelva a colocar el panel delantero de la estufa.
6. La temperatura superficial de la tapa sólida de la plancha es capaz de alcanzar por lo menos 265C (509 F).

Precaución: Solamente los técnicos autorizados del servicio deben quitar perillas de control del termostato. En el acontecimiento que se ha quitado la perilla de la temperatura del termostato, el tornillo de presión debe alinearse con el agujero en el dial de control del termostato.

Plancha/Asador

Consulte las instrucciones de curado de la plancha antes de utilizarla.

Encendido

1. Presione la perilla de la válvula, y gírela en dirección contraria a las agujas del reloj a la posición de encendido "★".
2. Mientras mantiene la perilla de la válvula totalmente presionada, presione el botón de encendido y observe si el piloto se enciende. Si no lo hace, presione repetidamente el botón de encendido hasta que lo haga.

Nota: En las estufas equipadas con encendedores de chispa eléctrica, presione el botón de encendido y verifique que el piloto se encienda. Si el quemador no llegase a encenderse en un lapso de 4 segundos, cierre de la válvula de quemador y repita los pasos 1 al 2. Si el encendido continúa fallando, consulte a la agencia de servicio autorizada por la fábrica.

INFORMACIÓN SOBRE APLICACIONES DEL PRODUCTO

3. Al encenderse el piloto continúe manteniendo presionada la perilla de la válvula durante por lo menos 30 segundos, y luego suéltela. Si el piloto se apagase, espere 5 minutos, y luego repita el procedimiento a partir del paso 1.
4. Cuando el piloto ya permanezca encendido, presione la válvula hacia adentro de nuevo y gírela en dirección contraria a las agujas del reloj a la posición de llama deseada, para así encender el quemador.
5. Para una llama baja o para hervir a fuego lento, presione la perilla de la válvula y gírela en dirección contraria a las agujas del reloj a la posición de llama baja.
6. La temperatura superficial de la tapa sólida de la plancha es capaz de alcanzar por lo menos 380C (716 F).

Apagamiento

1. Para apagar el quemador y aún dejar que el piloto permanezca encendido, gire el dial a la posición de "★". encendido.
2. Para apagar el quemador y el piloto, gire el dial al símbolo circular "OFF". El dispositivo de seguridad se desconectará en un lapso de 60 segundos.

Apagado de La Estufa

1. Gire todas las válvulas a la posición "OFF" (apagadas).
2. Si la unidad se va a mantener apagada durante un largo período de tiempo, cierre la válvula de gas en la línea de suministro.

General

La estufa es la bestia de carga de la cocina debido a su versatilidad. Es usada con más frecuencia en pequeñas aplicaciones, como cafeterías, escuelas, cocinas de iglesias, estaciones de bomberos, y pequeños asilos de ancianos donde las demandas son menos exigentes. Como regla general, una estufa de cuatro a seis hornillas con una plancha de calor uniforme ("hot top") será adecuada para un restaurante que sienta 30 a 35 comensales.

La parte superior de la estufa está diseñada con la flexibilidad y la preparación de numerosos tipos productos de volumen medio en mente. Puede estar equipada con dos, o hasta tres tipos diferentes de planchas y quemadores, según las necesidades del menú. Una operación que cocina contra pedidos, o que usa la estufa principalmente como reserva, encontrará que las hornillas satisfacen la mayor parte de sus necesidades.

La preparación de sopas, caldos o salsas se lleva a cabo en una plancha de calor uniforme ("hot top") donde una cocción lenta y uniforme es deseable.

El calentamiento de cantidades más grandes de alimentos puede llevarse a cabo más eficazmente que el calentamiento de pequeñas cantidades. Las ollas y cazuelas deberían mantenerse cubiertas siempre que sea posible para reducir el consumo de energía.

Las salsas muy ácidas, como las de tomate deberán ser cocinadas en acero inoxidable en vez de aluminio para evitar reacciones químicas. Las salsas ligeramente coloreadas como la Alfredo pueden descolorarse si se usa aluminio, sobre todo si se remueve con una cuchara o batidor metálico. Los mariscos de mar pueden picar las ollas de aluminio si éstas son utilizadas con frecuencia para este fin.

Use ollas del tamaño apropiado para cada quemador. No permita que las ollas sobresalgan del riel de platos.

Bandejas de migas

En caso de un fuego de grasa en la bandeja de migas, llame a un técnico de servicio para que realice una inspección a fin de determinar si se dañó algún componente. No opere la unidad hasta tanto la misma no sea revisada por el agente de servicio autorizado.

MANTENIMIENTO Y LIMPIEZA

NOTA: Muchas partes de las estufas comerciales son hechas de acero crudo. Las planchas de calor uniforme ("hot top"), planchas, muelles, ganchos de puerta etc., pueden reaccionar con la humedad para formar herrumbre. Esto es normal y no se considera un defecto. Limpie con un estropajo de acero inoxidable o de fibra. Puede aplicarse una capa ligera de aceite de cocina.

ADVERTENCIA: NO ROCÍE AEROSOL EN LA CERCANÍA DE ESTE ARTEFACTO MIENTRAS ESTÉ FUNCIONANDO.

Hornillas

Los usos más tradicionales de las hornillas son para sofreír, freír con sartén, y pequeños trabajos en ollas hondas. La cocción de poca duración es el uso más eficiente para la hornilla. Las ollas deberían cubrir lo más posible de la rejilla para minimizar la pérdida de calor. El máximo tamaño de olla honda a ser usado en una hornilla es de 12 pulgadas, (305 mm), de diámetro. Utilice un tamaño de la cacerola bastante grande para entrar en contacto con todas las ayudas de la rejilla (mínimo 6", 150mm). Las hornillas deberán estar apagadas cuando no estén en uso para conservar energía. Dejar una llama encendida no tiene ninguna ventaja ya que el calor es instantáneo.

Planchas de Calor Uniforme ("Hot Tops")

Se recomienda el uso de planchas sólidas de calor uniformes en situaciones donde se requiere cocinar caldos de manera continua para sopas, salsas y caldos. Las ollas pueden colocarse en cualquier parte sobre la plancha de calor informe. Se recomienda un tiempo de precalentamiento de 30 minutos. Esto asegurará que la pieza fundida esté totalmente saturada de calor. Las ollas deberán tener fondos planos para lograr un contacto superficial máximo. Ollas combadas o abolladas no transferirán el calor de manera pareja, desperdiciando energía y resultando en patrones de cocción dispares. Durante períodos en que no hay una demanda fuerte, se aconseja bajar el ajuste del quemador para conservar energía.

Curado

Plancha

- A. Quite todo material protector aplicado en la fábrica lavando con agua caliente y detergente suave o una solución de jabón.
- B. Aplique una capa fina de aceite de cocina a la superficie de la plancha, aproximadamente una onza por pie cuadrado de superficie de la plancha. Extiéndala sobre la superficie de la plancha entera con un paño para crear una película delgada. Limpie cualquier exceso de aceite con un paño.
- C. Encienda todos los quemadores, y ajústelos al ajuste más bajo posible. Alguna decoloración ocurrirá cuando se aplica calor al acero.
- D. Caliente la plancha despacio durante 15 a 20 minutos. Luego limpie el aceite con un paño. Repita el procedimiento 2 a 3 veces hasta que la plancha quede con un acabado de película oleosa brillante.

IMPORTANTE: no ajuste a una posición alta (en el control de válvula) o a 450 ° (en el control de termostato) durante el período de "rodaje".

NOTA: la superficie de la plancha de acero tomará una decoloración azul del calor. Esta decoloración no disminuirá la función o la operación y esto no es un defecto.

La plancha no requerirá curarse de nuevo si es usada correctamente. Si la plancha llegase a sobrecalentarse y el producto comienza a pegarse a la superficie pudiera ser necesario repetir el proceso de curado otra vez. Si la plancha es limpiada con jabón y agua será necesario curar de nuevo la superficie de la plancha.

Rejillas de Hierro Colado de las Hornillas

Primero, quite las rejillas de hierro colado de las hornillas de la estufa. Lave las rejillas con un jabón suave y agua caliente. Seque a fondo las rejillas de hierro colado de las hornillas con un paño limpio. Inmediatamente después de secarlas, cúrelas ligeramente con un aceite no tóxico, (aceite vegetal líquido o aceite Pam rociado). ADVERTENCIA; ¡NO CURE LAS REJILLAS DE LAS HORNILLAS MIENTRAS ESTÉN EN LAS HORNILLAS DE LA ESTUFA! El curado de las rejillas en las hornillas de la estufa sobre una llama abierta podría causar un fogonazo. Después de curarlas, vuelva a colocar las rejillas de las hornillas en la estufa. Encienda todas las secciones de hornillas de la estufa a fuego bajo ("ON LOW"). Deje las hornillas encendidas así durante al menos 20 minutos antes de usar ollas o cazuelas sobre las rejillas de las hornillas.

MANTENIMIENTO Y LIMPIEZA continuación

CADA VEZ QUE SE LIMPIEN LAS HORNILLAS, SE REQUERIRÁ EL CURADO DE LAS MISMAS. EL NO HACERLO CAUSARÁ OXIDACIÓN.

Acero Inoxidable

Para la limpieza rutinaria sólo se lávelo con una solución de agua caliente y detergente. Lave apenas una pequeña área a la vez o el agua se evaporará y dejará atrás productos químicos que causarán rayaduras.

Enjuague el área lavada con una esponja limpia bañada en una solución esterilizante y séquela con un paño suave limpio antes de que se seque por sí misma.

Si tiene que hacerlo, use una pasta (de agua y un polvo de fregado suave), pero nunca restriegue contra el grano. Todo el acero inoxidable ha sido pulido en una dirección. Restriegue en dirección de las líneas de pulido para preservar el acabado original. Entonces enjuague a fondo como antes.

Para prevenir las huellas digitales, en el mercado existen varios pulimentos para acero inoxidable que dejan una película aceitosa o cerosa. No las use en superficies que estarán en contacto con alimentos.

El acero inoxidable puede descolorarse de llegarse a recalentar. Estas manchas pueden ser por lo general quitadas frotándolas vigorosamente con una pasta de polvo abrasivo.

Si fuese necesario raspar para quitar depósitos pesados de grasa y aceite, use sólo implementos de acero inoxidable, madera o plástico. No use rasquetas o cuchillos de acero ordinario, ya que partículas de hierro pueden quedar incrustadas y oxidarse. NUNCA DEBERÁ UTILIZARSE LANA DE ACERO.

Para esterilizar el acero inoxidable pueden utilizarse o bien una solución de lejía típica o agua caliente.

Interior del Horno (Esmalte de Porcelana)

NOTA: antes de limpiar o darle mantenimiento, desconecte el cordón eléctrico (si aplicase) del suministro de energía.

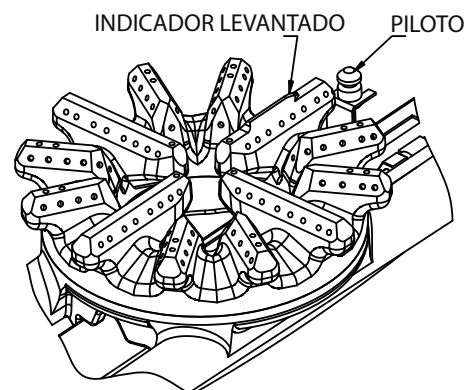
1. Antes de limpiar el interior de horno, saque todas las rejillas y guías (si tiene una base "RC") del horno. Las rejillas y las guías del horno pueden limpiarse con un jabón suave y agua caliente o en un lavavajillas.
2. El interior de porcelana puede ser limpiado con limpiadores de horno como "Easy Off" o "Dow Oven Cleaner".

Siga las instrucciones de uso correcto del fabricante del producto.

Hornillas

La limpieza de las hornillas de la estufa es un procedimiento simple, y, de ser realizada con regularidad, prolongará la vida de la estufa y asegurará la generación de llamas con buenas características.

1. El problema más común con las estufas de hornilla es el derramamiento. Una vez que los orificios de los quemadores son parcialmente tapados con alimentos, la mezcla de aire a gas es alterada y resulta en quemadores ineficaces.
2. Limpie cualquier derrame tan pronto ocurra.
3. Las rejillas y las bandejas deberán ser sacadas diariamente para lavarlas, enjuagarlas y secarlas a fondo.
4. Use un cepillo de alambre para limpiar los orificios de los quemadores. Enciéndalos y compruebe que no haya agujeros obstruidos.
5. Si se notase que algún agujero está obstruido, el quemador deberá sacarse y cepillarse por dentro y fuera con un pequeño cepillo de Venturi. Cada orificio en el quemador mismo debería ser limpiado con un alambre del tamaño correcto o un taladro de pulgar. Si se observa grasa en los quemadores, lávese con jabón y agua caliente. Seque a fondo.
6. Al volver a instalar el cabezal de la hornilla asegúrese de que los orificios del quemador estén correctamente alineados con el piloto. En el cabezal colado del quemador hay una flecha indicadora para asegurarse de que el quemador sea correctamente instalado.



7. Si una llama amarilla apareciera alrededor de los bordes en vez de ser uniformemente azul, esto es por lo general una señal de suciedad de grasa en la garganta del quemador. Saque el venturi del quemador (el cuerpo

MANTENIMIENTO Y LIMPIEZA continuación

principal sobre el cual se asientan las cabezas de los quemadores) para tener acceso a la abertura de la compuerta de cierre del aire. Quite con cuidado la grasa y suciedad de la zona de la compuerta de cierre del aire. No ajuste la posición de la compuerta de cierre. La compuerta de cierre del aire permite que la cantidad apropiada de aire se mezcle con el flujo de gas que proviene del orificio de la válvula o termostato y no deberá ser ajustado a menos que lo realice un técnico autorizado especialista en gas.

Parte Superior y Rejillas de Hierro Colado

La parte superior y la(s) rejilla(s) de hierro colado pueden ser limpiadas con jabón suave y agua caliente. Para eliminar el material que se ha cocido sobre el hierro, puede utilizarse un cepillo de alambre. Seque a fondo. Recubre ligeramente con aceite vegetal para ayudar a evitar que se forme herrumbre.

Planchas “hot tops” y planchas tipo diana con quemado frontal

Mientras la superficie esté todavía ligeramente caliente, límpiela con un paño de arpillera limpio. Los derrames quemados deberán quitarse raspándolos. Si fuese necesario, saque la placa y lávela en un fregadero con jabón y agua caliente. Séquela a fondo. En climas húmedos, límpiela con una capa ligera de aceite para prevenir la oxidación. Evite el uso excesivo de agua ya que esta podría dañar la superficie y los controles más abajo.

PRECAUCIÓN: No vierta agua sobre las planchas calientes mientras estén caliente ni tampoco utilice hielo para enfriar las planchas.

NOTA: Superficie tipo “hot top” y “hot top” tipo diana con quemado frontal tomarán una decoloración azul/marrón con el calor. Esta atenuación no disminuirá la función o la operación y no es un defecto.

Plancha

Para producir productos a la plancha parejamente cocidos y dorados, mantenga la plancha libre de grasa carbonizada. La grasa carbonizada sobre la superficie dificulta la transferencia de calor de la superficie de la plancha a los alimentos. Esto resulta en un dorado desigual y pérdida de eficiencia al cocinar, y lo peor de todo, la grasa carbonizada tiende a adherirse a la comida asada a la parrilla, dándole un aspecto muy insatisfactorio y poco apetitoso. Para mantener la plancha limpia y funcionando a máximo desempeño, siga éstas sencillas instrucciones:

- A. DESPUÉS DE CADA USO limpie la plancha a fondo con una rasqueta o espátula para parrillas. Limpie con un paño cualquier suciedad dejada por el proceso de cocción.
- B. UNA VEZ AL DÍA limpie la superficie de la plancha con un ladrillo para parrillas y un estropajo para parrillas. Retire el recipiente de grasa y límpielo a fondo, de la misma manera que cualquier utensilio de cocina ordinario.
- C. UNA VEZ POR SEMANA limpie la superficie de la plancha a fondo. Si fuese necesario, use una piedra de parrilla o un estropajo para parrillas sobre la superficie de la plancha. Restriegue en dirección del grano del metal mientras todavía esté caliente. Se puede utilizar un detergente sobre la superficie de la placa para ayudar a limpiarla, pero debe tenerse cuidado de que después se elimine a fondo. Después de eliminar el detergente, la superficie del plato deberá recubrirse con una fina película de aceite para prevenir la oxidación. Para quitar decoloraciones, use un limpiador no abrasivo. Antes de volverla a usar, la plancha deberá curarse de nuevo. Mantenga siempre destapado el tubo de desagüe de la plancha al recipiente de grasa.

ADVERTENCIA: la placa de la plancha es de acero, pero la superficie es relativamente blanda y puede ser rayada o abollada por el uso descuidado de la espátula.

Procure no abollar, rasguñar, o acanalar la superficie de la placa. De lo contrario, los alimentos se pegarán a dichas zonas. También, tome nota que, ya que ésta es una plancha de acero, si no hay una ligera capa de aceite siempre presente se desarrollará herrumbre en áreas expuestas y no cubiertas.

NOTES

 **Garland** Installation, Operating Manual

GARLAND GF SENTRY SERIES GAS RESTAURANT RANGES

Garland Commercial Ranges
<http://www.garland-group.com>

