

GF Series

Gas Restaurant Ranges

Parts List

Models, Non-CE & CE Versions:

GF24

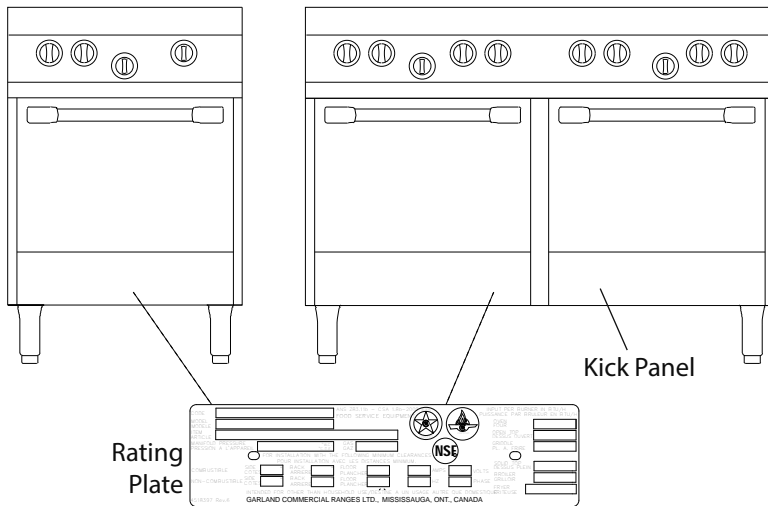
GF36

GF48

GF60

NOTE For Gas Modular Top Models (GF24-___T, GF36-___T), please refer to document *GF Series Gas Modular Top (suffix T)*.

Rating Plate Location

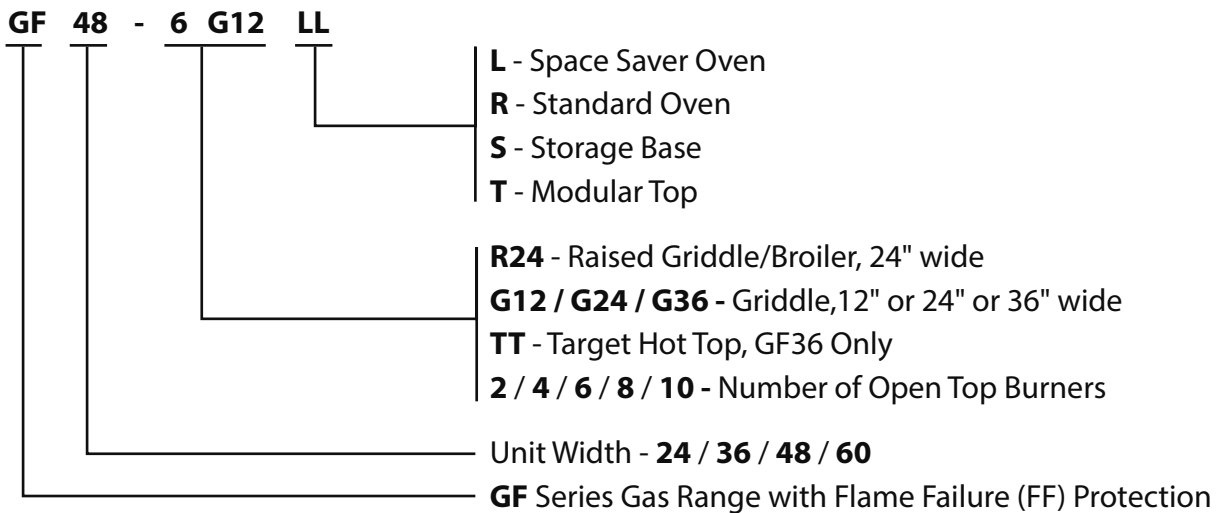


The Rating Plate (Product Identification Plate) is affixed to the front edge of the chassis bottom, behind the front kick panel.

For a double-oven model, the plate can be found behind the kick panel on the LEFT oven.

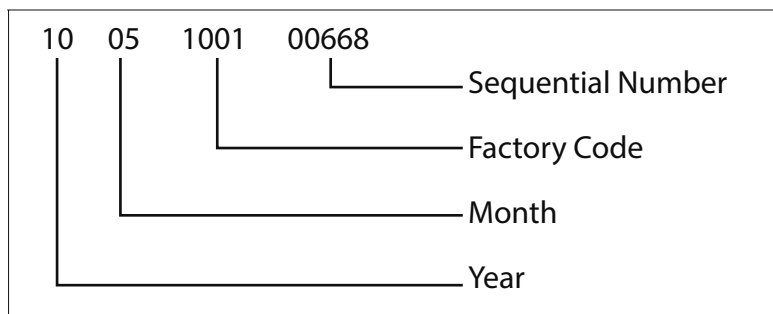
Model Code Explained

The model configuration code can be found on the unit's rating plate. See "Rating Plate Location".



Serial# - Year/Month Information

The serial number is **13 Digits long** and is stamped on the rating plate. See "Rating Plate Location".





**GF Series 24" / 36" / 48" / 60"
Gas Restaurant Ranges
(non-CE & CE versions)**

Table of Contents

Rating Plate Location, Model Code & Serial# Information..... 2

Oven Section Components - 24" Single Space Saver Oven 4

Oven Section Components - 36" Single Standard Oven 8

Oven Section Components - 48" Double Space Saver Ovens 12

Oven Section Components - 60" Double Standard Ovens 16

Range Top Section Components - Open Top Burners..... 20

Range Top Section Components - Hot Top..... 22

Range Top Section Components - Hi/Low Griddle..... 24

Range Top Section Components - Thermostat Griddle 28

Range Top Section Components - Raised Griddle Broiler (GF60 Only) 32

Range Top Section Components - Target Hot Top (GF36 Only) 36

Valve Panel Overlays—Ranges (GF/GFE)..... 39

High Shelf & Back Guard Components..... 40

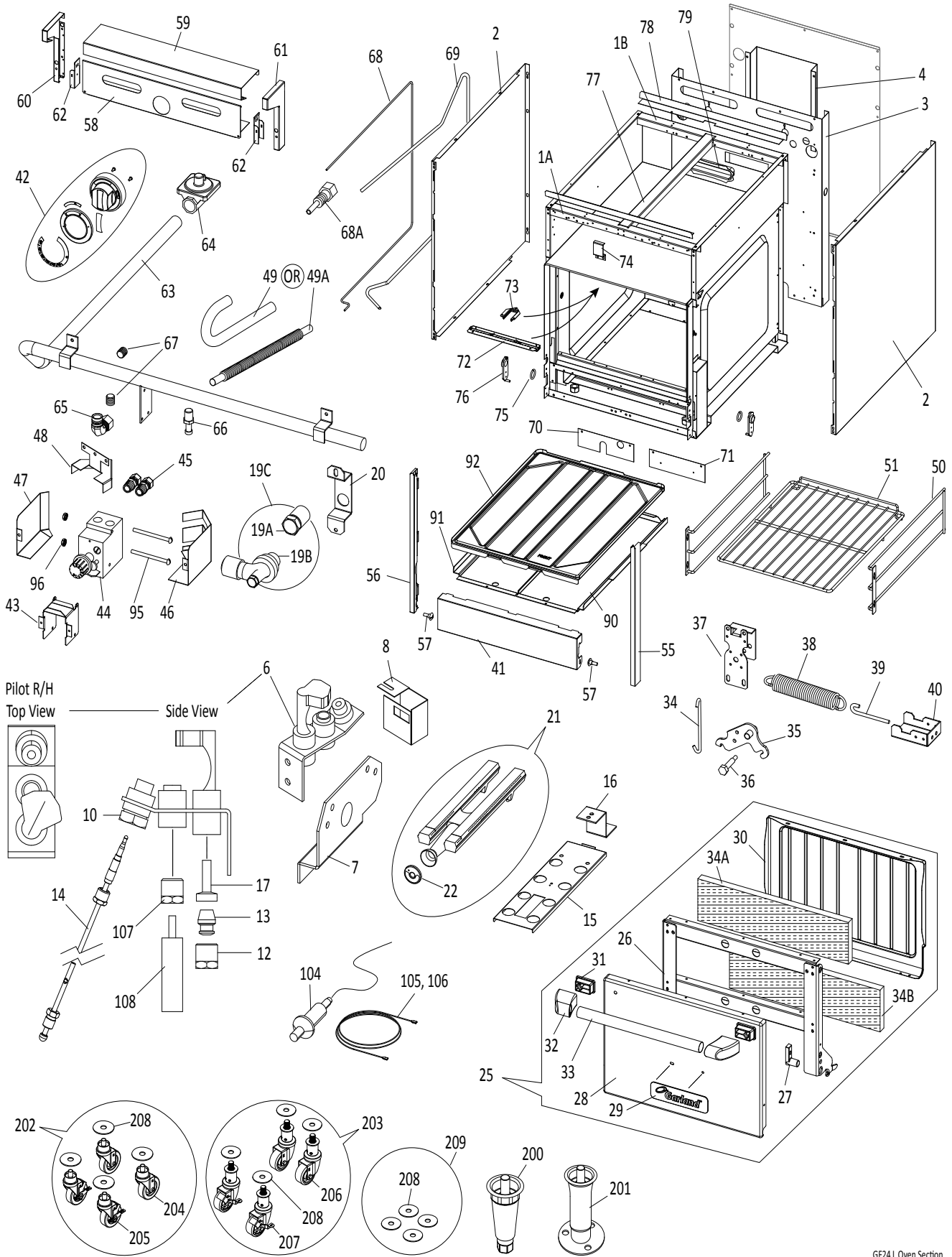
List of Manuals and Gas Conversion Kits..... 42

Critical & Recommended Stock Parts List 42

Related Bulletins 43

Revision History 43

This parts list is updated regularly. Please find the most current revision on our website @ www.Garland-Group.com



GARLAND PARTS IDENTIFICATION
GF Series Gas Restaurant Ranges (non-CE & CE versions)

24" SINGLE SPACE SAVER OVEN COMPONENTS

ITEM	PART #	DESCRIPTION	QTY	CRITICAL
1A	4523184	24" Main Channel Front	1	
1B	4525529	24" Main Channel Rear	1	
2	4522764	Body Side L/R	2	
3	4523041	Main Back 24" Oven	1	
4	4522762	Flue Riser Std Oven	1	
6	2200700	Pilot R/H #0.145.010 (Mounted on LEFT Side of Burner)	1	C
7	4524677	Pilot Bracket	1	
8	4525285	G/U Oven Pilot Shield L/H (For Pilot R/H 2200700 - item 6)	1	
9*	F440	#10 - 32 x 1/4" Screw (secure pilot shield, pilot bracket and pilot, items 6, 7, 8)	3	
10	2200706	Thermocouple Retaining Nut	1	C
12	2200704	3/16" Compression Nut - Oven Pilot	1	C
13	2200705	3/16" Ferrule - Oven Pilot	1	C
14	4523506	Thermocouple, Oven, 60"	1	C
15	4522763	Oven Burner Rest	1	
16	2512200	Burner Hold Down Bracket	1	
17	2200709	Pilot Orifice #40 Manufactured Gas	1	C
	2200702	Pilot Orifice #32 Natural Gas	1	C
	2200703	Pilot Orifice #23 Propane	1	C
non-CE and CE export				
19A	M9-33	Large Orifice # 33 Natural Gas (G20) - includes AUSTRALIA	1	C
	M9-51	Large Orifice # 51 Propane (G31)	1	C
	M9-52	Large Orifice # 52 Propane (G31) - AUSTRALIA	1	C
19B	22701XX	Oven Orifice Fitting (without orifice)	1	C
19C	2270133F	Oven Orifice Fitting w/#33 Hood (Natural)	1	C
	2270151F	Oven Orifice Fitting w/#51 Hood (Propane)	1	C
20	4522781	Orifice Bracket Oven	1	
21	4525464	Oven H - Burner with Air Shutter Assembly (Partially Ported) Note: Assembly includes a cast iron H-burner (p/n 1014901) and an air shutter (item 22).	1	
22	2512100	Oven Burner Air Shutter	1	
25	4525154	Garland 20W Oven Door Assembly	1	
26	4523125	Door Frame Assembly 20W	1	
27	1082500	Oven Door Trunion	2	
28	4522738	Oven Door Panel 20W (with holes)	1	
29	4529724	Garland Logo	1	
30	4522378	Oven Door Liner 20W	1	
30A	4522791	Insulation Door Filler 20W	2	
30B	4522790	Insulation Door Brace 20W	2	
31	4522407	Door Handle End Insulator	2	
32	4522404	Door Handle End	2	
33	4522645	Door Handle 24" 1.250 dia.	1	
34	1082802	Hinge Link Right	1	C
35	4522772	Bell Crank Assembly	1	
36	F299	Bolt 1/4-20 x 1/2" Bell Crank	1	
37	4522818	Bell Crank Support Bracket	1	
38	1005800	Oven Door Spring - Garland	1	C
39	9004701	Oven Door Spring Hook	1	C
40	4523654	Spring Support Bracket (20W Door)	1	
41	4523039	Kick Panel 20W	1	
42	4526237	Knob Assembly - Oven SIT Deg F (FF-Series)	1	C
	4526238	Knob Assembly - Oven SIT Deg C (FF-Series)	1	C

* NOT ILLUSTRATED

RECOMMENDED STOCK PARTS

GARLAND PARTS IDENTIFICATION
GF Series Gas Restaurant Ranges (non-CE & CE versions)

24" SINGLE SPACE SAVER OVEN COMPONENTS

ITEM	PART #	DESCRIPTION	QTY	CRITICAL
43	4523081	ES Shield Mount	1	
44	4523006	SIT Oven Control	1	C
45	1095499	Straight Connector 7/16	2	
46	4523079	ES Shield R/L	1	
47	4523080	SIT Shield, Left	1	
48	4524545	EUROSIT Top Shield (FF)	1	
49	4524549	Tube - 7/16", Manifold to SIT Inlet (FF)	1	
49A	4520720	7/16" Flexible Tubing SIT To Manifold Note: Only for unit with a 12" Griddle mounted on the L/H Side of the Range	1	
50	4522411	Rack Guide 26D	2	
51	4522410	Oven Rack 20W x 26D	1	
55	4522991	Corner Column Right 24"	1	
56	4522990	Corner Column Left 24"	1	
57	F298N	Bolt 10-24 x 3/8 Long Shoulder Truss HD, Nickel Plated	2	
58	4524740	24" Valve Panel - Standard	1	
	4524738	24" Valve Panel - 12" Standard & Thermostat Griddle R/H Side	1	
	4524739	24" Valve Panel - 12" Standard & Thermostat Griddle L/H Side	1	
	4524741	24" Valve Panel - 24" Standard & Thermostat Griddle	1	
59	4523196	24" Plate Rail	1	
60	4524519	Garland Valve Panel End Cap - Left - FF	1	
61	4524520	Garland Valve Panel End Cap - Right - FF	1	
62	4523299	Burner Box Filler - FF	2	
63	4522561	Manifold Assembly - 24" (without Fitting)	1	C
	4527202	24" Manifold Assembly (Australian Market Only)	1	C
64	4525047	Regulator - Natural Gas, 3/4" ISO, 4.5" WC (CE)	1	C
	4525048	Regulator - Popane Gas, 3/4" ISO, 10" WC (CE, Australia)	1	C
	2127502	Regulator (3/4") - Natural Gas, 4.5" WC (non-CE)	1	C
	2127500	Regulator (3/4") - Propane Gas, 10" WC (non-CE)	1	C
65	4529768	90 Deg Elbow 9/8" Pipe - 7/16" Tube	1	
66	G02251-1	Pressure Test Spigot	1	
67	2203400	1/8" NPT Pipe Plug	2	
68	4523142	.187 Dia Tubing - SIT Valve to Oven Pilot	1	
68A	4527220	SIT Pilot Tube Connection	1	
69	4530485	.437 Dia Tubing - Valve to Oven Orifice Fitting	1	
70	4523043	Air Shield Pilot 20W	1	
71	4523042	Air Shield Solid 20W	1	
72	4523052	Capillary Guard 20W Standard Oven	1	
73	4523030	Bulb Guard Standard Oven	1	
74	4523194	Rail Support Bracket	1	
75	1082700	Harness Ring	2	
76	4522400	Trunion Bracket	2	
77	4523087	Grate Support Rail	1	
78	4523186	24" Drip Angle	2	
79	1005110	Flue Collar - Aluminized	1	
90	4525552	Baffle Pan Right, 20W	1	
91	4525551	Baffle Pan Left, 20W	1	
92	4522384	Oven Hearth 20W x 26D - Enamelled	1	
95	F16	SIT to Manifold Mounting Bolts (#10-24 x 2-1/2", Round Head, Slot Drive)	2	
96	F312	SIT to Manifold Mounting Lock Nut (K-Lock Nut, #10-24)	2	
104	1309201	Piezo Igniter #1244-41	1	C
105	CK2200211	12" High Tension Wire Leads	1	C
106	G03883R	Thermoflex Insulating Sleeve (sold by the foot)	12"	C
107	2200707	Nut, Electrode - Oven Pilot	1	C

* NOT ILLUSTRATED

RECOMMENDED STOCK PARTS

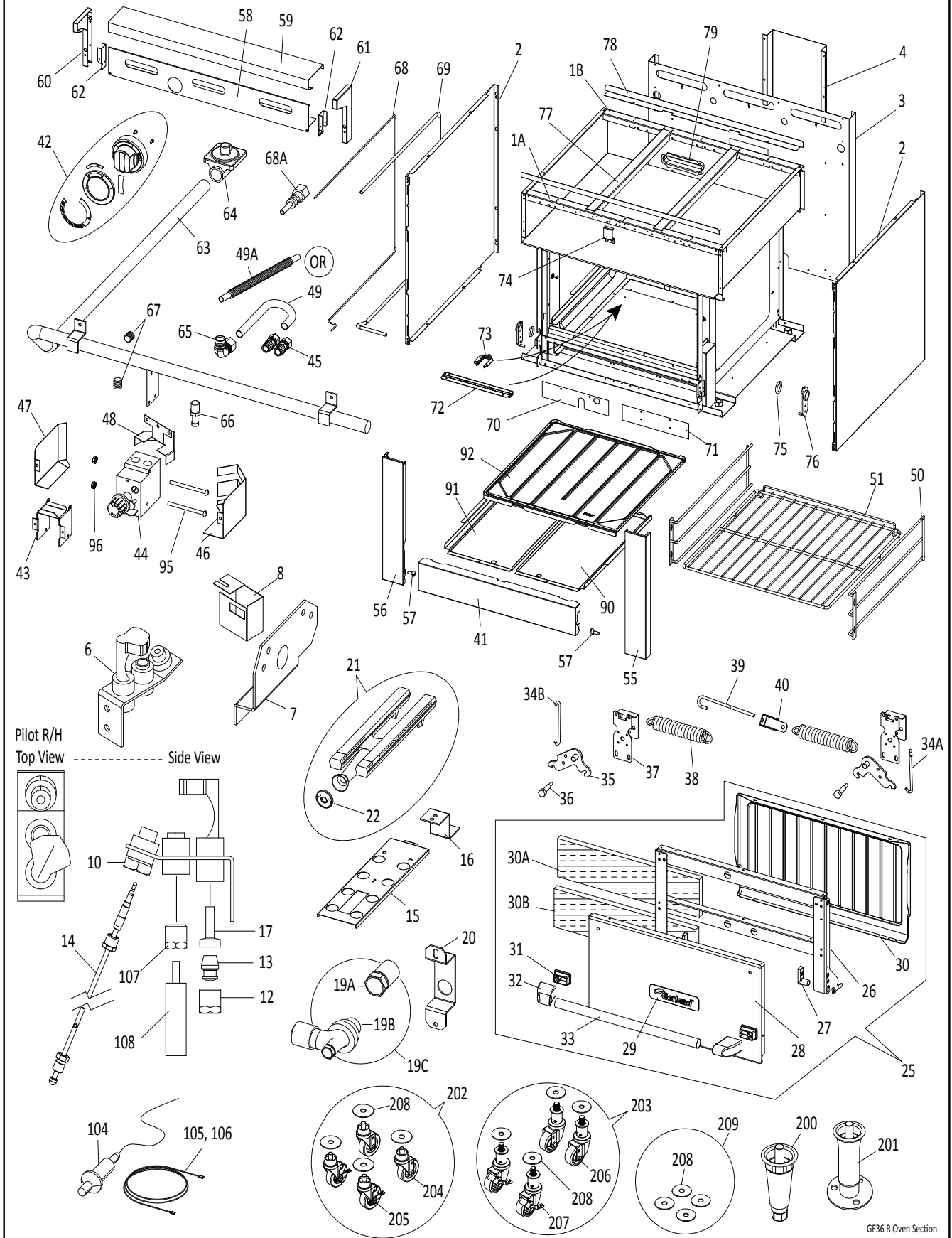
GARLAND PARTS IDENTIFICATION
GF Series Gas Restaurant Ranges (non-CE & CE versions)

24" SINGLE SPACE SAVER OVEN COMPONENTS

ITEM	PART #	DESCRIPTION	QTY	CRITICAL
108	2200708	Electrode - Oven Pilot	1	C
Legs & Casters				
200	4525074	6" Adjustable Leg, S/S	4	
201	4524104	6" Flanged Leg (Optional)	4	
202	4526324	6" Caster Package, non-adjustable (Optional) Note: Includes items 204, 205, 208, and installation instructions.	1	
203	4526323	6" Caster Package, adjustable (Optional) Note: Includes items 206, 207, 208, and installation instructions.	1	
204	4522417	6" Caster No Brake, 3/4-10 mount, non-adjustable	2	
205	4522916	6" Caster With Brake, 3/4-10 mount, non-adjustable	2	
206	4525597	6" Caster No Brake, 3/4-10 mount, adjustable	2	
207	4525598	6" Caster With Brake, 3/4-10 mount, adjustable	2	
208	4526157	Caster Washer Note: Used from serial#: 0901100100838 / date: 20-Jan-09.	4	
209	4526325	Caster Washer Kit	1	

* NOT ILLUSTRATED

RECOMMENDED STOCK PARTS



GARLAND PARTS IDENTIFICATION
GF Series Gas Restaurant Ranges (non-CE & CE versions)

36" SINGLE STANDARD OVEN COMPONENTS

ITEM	PART#	DESCRIPTION	QUANTITY	CRITICAL
1A	4523068	36" Main Channel Front	1	
1B	4525530	36" Main Channel Rear	1	
2	4522764	Body Side Lt/Rt	2	
3	4522761	Main Back 36"	1	
4	4522762	Flue Riser Standard Oven	1	
6	2200700	Pilot R/H #0.145.010 (Mounted on LEFT Side of Burner)	1	C
7	4524677	Pilot Bracket - Garland/USR	1	
8	4525285	G/U Oven Pilot Shield L/H (For item# 6 - 2200700 Pilot R/H)	1	
9*	F440	#10 - 32 x 1/4" Screw (secure pilot shield, pilot bracket and pilot)		
10	2200706	Thermocouple Retaining Nut	1	C
12	2200704	3/16" Compression Nut - Oven Pilot	1	C
13	2200705	3/16" Ferrule - Oven Pilot	1	C
14	4523506	Thermocouple Oven 60"	1	C
15	4522763	Oven Burner Rest	1	
16	2512200	Burner Hold Down Bracket	1	
17	2200709	Pilot Orifice #40 Manufactured Gas	1	C
	2200702	Pilot Orifice #32 Natural Gas	1	C
	2200703	Pilot Orifice #23 Propane	1	C
Non CE and CE Export				
19A	M9-30	Large Orifice # 30 Natural Gas (G20)	1	C
	M9-50	Large Orifice # 50 Propane (G31)	1	C
	M9-30	Large Orifice # 30 Natural Gas (G20) - AUSTRALIA	1	C
	M9-50	Large Orifice # 50 Propane (G31) - AUSTRALIA	1	C
19B	22701XX	Oven Orifice Fitting (without orifice)	1	C
19C	2270130F	Oven Orifice Fitting w/#30 Hood - Nat	1	C
	2270150F	Oven Orifice Fitting w/#50 Hood - Propane Gas	1	C
20	4522781	Orifice Bracket Oven	1	
21	4525464	Oven H - Burner with Air Shutter Assembly (Partially Ported) Note: Assembly includes a cast iron H-burner (p/n 1014901) and an air shutter (item 22).	1	
22	2512100	Oven Burner Air Shutter	1	
25	4525151	Garland 26W Oven Door Assembly	1	
26	4522769	Door Frame Assembly 26W	1	
27	1082500	Oven Door Trunion	2	
28	4522737	Oven Door Panel 26W (with holes)	1	
29	4529724	Garland Logo	1	
30	4522377	Oven Door Liner 26W	1	
30A	4522789	Insulation Door Filler 26W	2	
30B	4522788	Insulation Door Brake 26W	2	
31	4522407	Door Handle End Insulator	2	
32	4522404	Door Handle End	2	
33	4522644	Door Handle 36" 1.250 dia.	1	
34A	1082802	Hinge Link Rt	1	C
34B	1082803	Hinge Link Lt	1	C
35	4522772	Bell Crank Assembly	2	
36	F299	Bolt 1/4-20x1/2" Bell Crank	2	
37	4522818	Bell Crank Support Bracket	2	
38	1005800	Oven Door Spring - Garland	2	C
39	4523497	6" Long J-Bolt (F598)	1	C
40	4526109	Door Spring ADJ Bracket	1	
41	4522770	Kick Panel 26W	1	

* NOT ILLUSTRATED

RECOMMENDED STOCK PARTS

GARLAND PARTS IDENTIFICATION
GF Series Gas Restaurant Ranges (non-CE & CE versions)

36" SINGLE STANDARD OVEN COMPONENTS

ITEM	PART#	DESCRIPTION	QUANTITY	CRITICAL
42	4526237	Knob Assembly - Oven Sit Deg F (GF Series)	1	C
	4526238	Knob Assembly - Oven Sit Deg C (GF Series)	1	C
43	4523081	ES Shield Mount	1	
44	4523006	SIT Oven Control	1	C
45	1095499	Straight Connector 7/16	2	
46	4523079	ES Shield R/L	1	
47	4523080	SIT Shield, Left	1	
48	4524545	SIT Top Shield (FF)	1	
49	4524549	Tube - SIT To Manifold (FF)	1	
49A	4520720	7/16" Flexible Tubing SIT To Manifold	1	
		Note: Only for unit with a 12" Griddle mounted on the L/H Side of the Range		
50	4522411	Rack Guide 26D	2	
51	4522408	Oven Rack 26W x 26D	1	
55	4522766	Corner Column Rt 36"	1	
56	4522765	Corner Column Lt 36"	1	
57	F298N	#10-24 x 3/8 Shoulder Bolt, Truss Head, Nickel Plated	2	
58	4524419	36" Valve Panel - Standard - FF	1	
	4524422	36" Valve Panel - 12" Standard & Thermostat Griddle R/H Side - FF	1	
	4524421	36" Valve Panel - 12" Standard & Thermostat Griddle L/H Side - FF	1	
	4525249	36" Valve Panel - 24" Thermostat Griddle R/H Side - FF	1	
	4525251	36" Valve Panel - 24" Standard & Thermostat Griddle L/H Side - FF	1	
	4525253	36" Valve Panel - 36" Standard & Thermostat Griddle - FF	1	
	4529567	36" Valve Panel - Target Top Model	1	
59	4523072	36" Plate Rail	1	
60	4524519	Valve Panel End Cap - Left - FF	1	
61	4524520	Valve Panel End Cap - Right - FF	1	
62	4523299	Burner Box Filler - FF	2	
63	4522562	Manifold Assembly - 36" (without Fitting)	1	
	4527203	36" Manifold Assembly (Australian Market Only)	1	
64	4525047	Regulator 3/4" ISO Natural Gas 4.5" WC - CE	1	C
	4525048	Regulator 3/4" ISO Propane Gas 10" WC - CE	1	C
	2127502	Regulator - Natural Gas 4.5" WC (3/4" Regulator) - non-CE	1	C
	2127500	Regulator - Propane Gas 10" WC (3/4" Regulator) - non-CE	1	C
65	4529768	90 Deg Elbow 9/8" Pipe - 7/16" Tube	1	
66	G02251-1	Pressure Test Spigot	1	
67	2203400	1/8" NPT Pipe Plug	2	
68	4523142	.187 Dia Tubing - Sit Valve to Oven Pilot	1	
68A	4527220	SIT Pilot Fitting 3/16	1	
69	4523143	.437 Dia Tubing - Valve SIT to Oven Orifice Fitting	1	
70	4522774	Air Shield Pilot 26W	1	
71	4522773	Air Shield Solid 26W	1	
72	4523031	Capillary Guard 26W Standard Oven	1	
73	4523030	Bulb Guard Standard Oven	1	
74	4523194	Rail Support Bracket	1	
75	1082700	Harness Ring	2	
76	4522400	Trunion Bracket	2	
77	4523087	Grate Support Rail	2	
78	4523069	36" Drip Angle	2	
79	1005110	Flue Collar - Aluminized	1	
90	4525550	Baffle Pan Right Hand 26"W	1	

* NOT ILLUSTRATED

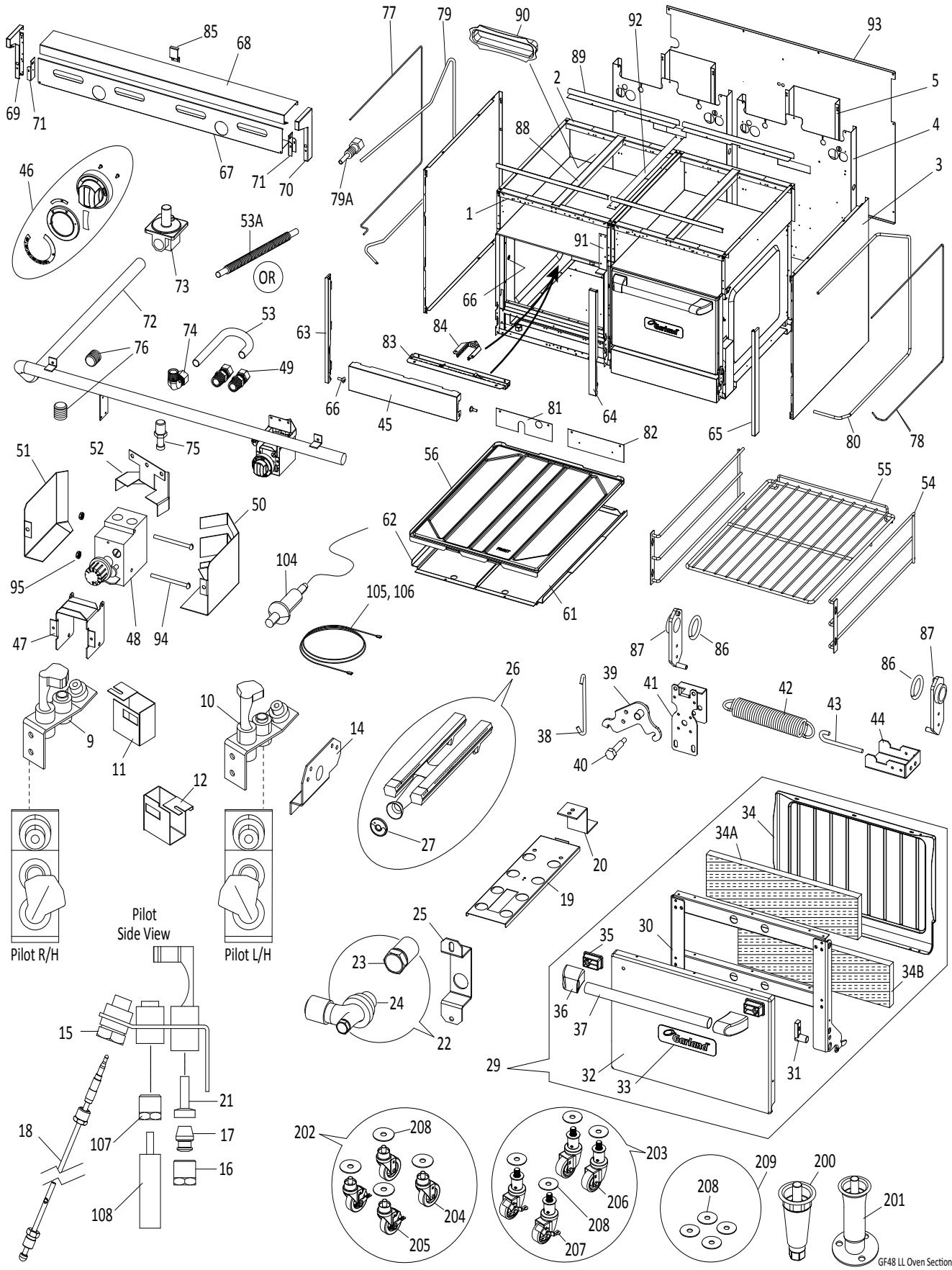
RECOMMENDED STOCK PARTS

GARLAND PARTS IDENTIFICATION
GF Series Gas Restaurant Ranges (non-CE & CE versions)

36" SINGLE STANDARD OVEN COMPONENTS

ITEM	PART#	DESCRIPTION	QUANTITY	CRITICAL
91	4525549	Baffle Pan Left Hand 26"W	1	
92	4524992	Oven Hearth 26W x 26D - Enamelled	1	
95	F16	SIT to Manifold Mounting Bolts (#10-24 x 2-1/2", Round Head, Slot Drive)	2	
96	F312	SIT to Manifold Mounting Lock Nut (K-Lock Nut, #10-24)	2	
104	1309201	Piezo Igniter #1244-41	1	C
105	CK2200211	12" High Tension Wire Leads	1	C
106	G03883R	Thermoflex Insulating Sleeve (Sold by the Foot)	12"	C
107	2200707	Nut, Electrode - Oven Pilot	1	
108	2200708	Electrode - Oven Pilot	1	
Legs & Casters				
200	4525074	6" Adjustable Leg, S/S	4	
201	4524104	6" Flanged Leg (Optional)	4	
202	4526324	6" Caster Package, non-adjustable (Optional) Note: Includes items 204, 205, 208, and installation instructions.	1	
203	4526323	6" Caster Package, adjustable (Optional) Note: Includes items 206, 207, 208, and installation instructions.	1	
204	4522417	6" Caster No Brake, 3/4-10 mount, non-adjustable	2	
205	4522916	6" Caster With Brake, 3/4-10 mount, non-adjustable	2	
206	4525597	6" Caster No Brake, 3/4-10 mount, adjustable	2	
207	4525598	6" Caster With Brake, 3/4-10 mount, adjustable	2	
208	4526157	Caster Washer Note: Used from serial#: 0901100100838 / date: 20-Jan-09.	4	
209	4526325	Caster Washer Kit	1	

* NOT ILLUSTRATED
RECOMMENDED STOCK PARTS



GARLAND PARTS IDENTIFICATION
GF Series Gas Restaurant Ranges (non-CE & CE versions)

48" DOUBLE SPACE SAVER OVENS COMPONENTS

ITEM	PART #	DESCRIPTION	PER OVEN	WHOLE UNIT	CRITICAL
1	4523184	24" Main Channel - Front	1	2	
2	4525529	24" Main Channel - Rear	1	2	
3	4522764	Body Side L/R	1	2	
4	4523041	Main Back - 24"	1	2	
5	4522762	Flue Riser Standard Oven	1	2	
9	2200700	Pilot R/H #0.145.010 Note: For the Oven on the Left. Mounted on L/H Side of Burner.	1	1	C
10	2200701	Pilot L/H #0.145.007 Note: For the Oven on the Right. Mounted on R/H Side of Burner.	1	1	C
11	4525285	Oven Pilot Shield L/H (For Pilot R/H 2200700, item 10) Note: Used FROM serial# 0806100100492 / model G36-6R-0022	1	1	
12	4525300	Oven Pilot Shield R/H (For Pilot L/H 2200701, item 11) Note: Used FROM serial# 0806100100492 / model G36-6R-0022	1	1	
13*	F440	#10 - 32 x 1/4" Screw (secure pilot shield, pilot bracket and pilot)			
14	4524677	Pilot Bracket	1	2	
15	2200706	Thermocouple Retaining Nut	1	2	C
16	2200704	3/16" Compression Nut - Oven Pilot	1	2	C
17	2200705	3/16" Ferrule - Oven Pilot	1	2	C
18	4523506	Thermocouple Oven 60"	1	2	C
19	4522763	Oven Burner Rest	1	2	
20	2512200	Burner Hold Down Bracket	1	2	
21	2200709	Pilot Orifice #40 Manufactured Gas	1	2	C
	2200702	Pilot Orifice #32 Natural Gas	1	2	C
	2200703	Pilot Orifice #23 Propane	1	2	C
Non CE and CE Export					
22	2270133F	Oven Orifice Fitting w/#33 Hood (Natural)	1	2	C
	2270151F	Oven Orifice Fitting w/#51 Hood (Propane)	1	2	C
23	M9-33	Large Orifice # 33 Natural Gas (G20) - incl. AUSTRALIA	1	2	C
	M9-51	Large Orifice # 51 Propane (G31)	1	2	C
	M9-52	Large Orifice # 52 Propane (G31) - AUSTRALIA	1	2	C
24	22701XX	Oven Orifice Fitting (without orifice)	1	2	C
25	4522781	Orifice Bracket Oven	1	2	
26	4525464	Oven H - Burner with Air Shutter Assembly (Partially Ported) Note: Assembly includes a cast iron H-burner (p/n 1014901) and an air shutter (item 27).	1	2	
27	2512100	Oven Burner Air Shutter	1	2	
29	4525154	Garland 20W Oven Door Assembly	1	2	
30	4523125	Door Frame Assembly 20W	1	2	
31	1082500	Oven Door Trunion	2	4	
32	4522738	Oven Door Panel 20W (with holes)	1	2	
33	4529724	Garland Logo - Large	1	2	
34	4522378	Oven Door Liner 20W	1	2	
34A	4522790	Insulation Door Filler 20W	1	2	
34B	4522791	Insulation Door Brace 20W	1	2	
35	4522407	Door Handle End Insulator	2	4	
36	4522404	Door Handle End	2	4	
37	4522645	Door Handle 24" 1.25 dia	1	2	
38	1082802	Hinge Link Rt	1	2	C
39	4522772	Bell Crank Assembly	1	2	

* NOT ILLUSTRATED

RECOMMENDED STOCK PARTS

GARLAND PARTS IDENTIFICATION
GF Series Gas Restaurant Ranges (non-CE & CE versions)

48" DOUBLE SPACE SAVER OVENS COMPONENTS

ITEM	PART #	DESCRIPTION	PER OVEN	WHOLE UNIT	CRITICAL
40	F299	Bolt 1/4-20 x 1/2" Bell Crank	1	2	
41	4522818	Bell Crank Support Bracket	1	2	
42	1005800	Oven Door Spring	1	2	C
43	9004701	Oven Door Spring Hook	1	2	C
44	4523654	Spring Support Bracket (20W Oven)	1	2	
45	4523039	Kick Panel 20W	1	2	
46	4526237	Knob Assembly - Oven SIT Deg F (FF-Series)	1	2	C
	4526238	Knob Assembly - Oven SIT Deg C (FF-Series)	1	2	C
47	4523081	SIT Shield Mount	1	2	
48	4523006	SIT Oven Control	1	2	C
49	1095499	Straight Connector 7/16"	2	4	
50	4523079	SIT Shield Right	1	2	
51	4523080	SIT Shield Left	1	2	
52	4524545	SIT Shield Top (FF)	1	2	
53	4524549	Tube - SIT To Manifold (FF)	1	2	
53A	4520720	7/16" Flexible Tubing SIT To Manifold Note: Only For Models with 12" Griddles Mounted on the L/H Side of the Range.		1	
54	4522411	Oven Rack Guide 26D	2	4	
55	4522410	Oven Rack 20W x 26D	1	2	
56	4522384	Oven Hearth 20W x 26D (Enamelled)	1	2	
61	4525552	Baffle Pan 20W Right	1	2	
62	4525551	Baffle Pan 20W Left	1	2	
63	4522990	Corner Column Left		1	
64	4522993	Center Column		1	
65	4522991	Corner Column Right		1	
66	F298N	Bolt 10-24 X 3/8" Long Shoulder Truss Head, Nickel Plated	4	8	
67	4524850	48" Valve Panel - Standard (8 Open Top Burners)		1	
	4524851	48" Valve Panel - 12" Standard/Thermostat Griddle on the R/H Side		1	
	4524852	48" Valve Panel - 12" Standard/Thermostat Griddle on the L/H Side		1	
	4524853	48" Valve Panel - 24" Standard/Thermostat Griddle on the R/H Side		1	
	4524854	48" Valve Panel - 24" Standard/Thermostat Griddle on the L/H Side		1	
	4524855	48" Valve Panel - 36" Standard/Thermostat Griddle on the R/H Side		1	
	4524856	48" Valve Panel - 36" Standard/Thermostat Griddle on the L/H Side		1	
68	4523197	48" Plate Rail		1	
69	4524519	Valve Panel End Cap, FF, Left		1	
70	4524520	Valve Panel End Cap, FF, Right		1	
71	4523299	Burner Box Filler, FF		2	
72	4522563	Manifold Assembly 48" (without Fittings)		1	
73	4525049	CE Regulator - Natural Gas 4.5" WC (1" Regulator)		1	C
	4525050	CE Regulator - Propane Gas 10" WC (1" Regulator)		1	C
	4522421	Non - CE Regulator - Natural Gas 4.5" WC (1" Regulator)		1	C
	4522422	Non - CE Regulator - Propane Gas 10" WC (1" Regulator)		1	C
74	4529768	Fitting, 7/16 cc to 3/8 NPT, 90 Deg Elbow	1	2	

* NOT ILLUSTRATED

RECOMMENDED STOCK PARTS

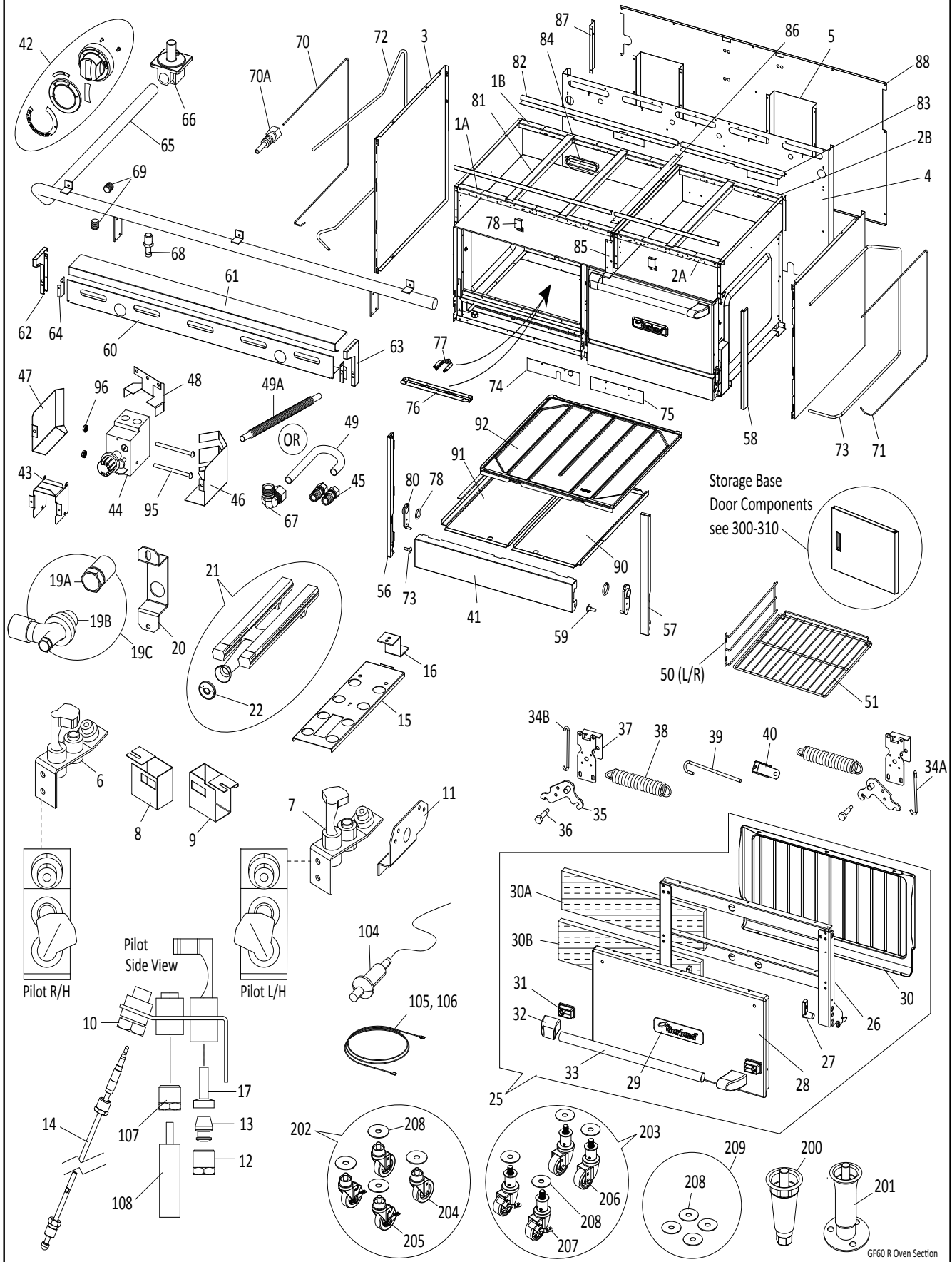
GARLAND PARTS IDENTIFICATION
GF Series Gas Restaurant Ranges (non-CE & CE versions)

48" DOUBLE SPACE SAVER OVENS COMPONENTS

ITEM	PART #	DESCRIPTION	PER OVEN	WHOLE UNIT	CRITICAL
75	G02251-1	Pressure Test Spigot		1	
76	2203400	1/8" NPT Pipe Plug (For Griddle/Hot Tops Only)	2 PER GRIDDLE/ HOT TOP		
77	4523142	.187 Dia Tubing SIT Valve to Oven Pilot - Oven on the Left		1	
78	4523180	.187 Dia Tubing SIT Valve to Oven Pilot - Oven on the Right		1	
79	4530485	.437 (7/16) Dia Tubing SIT Valve to Oven Orifice Fitting for Oven on the Left	1	1	
79A	4527220	SIT Pilot Fitting 3/16	1	1	
80	4530484	.437 (7/16) Dia Tubing SIT Valve to Oven Orifice Fitting for Oven on the Right	1	1	
81	4523043	Air Shield Pilot 20W	1	1	
82	4523042	Air Shield Solid 20W	1	1	
83	4523052	Capillary Guard 20W	1	1	
84	4523030	Bulb Guard	1	1	
85	4523194	Rail Support Bracket		1	
86	1082700	Harness Ring	2	4	
87	4522400	Trunion Bracket	2	4	
88	4523087	Grate Support Rail (Quantity varies with top configuration.)		MAX 2	
89	4523186	24" Drip Angle	2	4	
90	1005110	Oven Flue Collar	1	2	
91	4522996	Tie Strap Front	1	1	
92	4522995	Tie Strap Top	1	1	
93	4524634	Veneer Back S/S - 48" Standard Oven (Optional)	1	1	
94	F16	SIT to Manifold Mounting Bolts (#10-24 x 2-1/2", Round Head, Slot Drive)	2	4	
95	F312	SIT to Manifold Mounting Lock Nut (K-Lock Nut, #10-24)	2	4	
104	1309201	Piezo Igniter #1244-41	1	1	C
105	CK2200211	12" High Tension Wire Leads	1	1	C
106	G03883R	Thermoflex Insulating Sleeve (Sold by the Foot)	12"	24"	C
107	2200707	Nut, Electrode - Oven Pilot	1	2	C
108	2200708	Electrode - Oven Pilot	1	2	C
Legs & Casters					
200	4525074	6" Adjustable Leg, S/S		4	
201	4524104	6" Flanged Leg (Optional)		4	
202	4526324	6" Caster Package, non-adjustable (Optional) Note: Includes items 204, 205, 208, and installation instructions.		1	
203	4526323	6" Caster Package, adjustable (Optional) Note: Includes items 206, 207, 208, and installation instructions.		1	
204	4522417	6" Caster No Brake, 3/4-10 mount, non-adjustable		2	
205	4522916	6" Caster With Brake, 3/4-10 mount, non-adjustable		2	
206	4525597	6" Caster No Brake, 3/4-10 mount, adjustable		2	
207	4525598	6" Caster With Brake, 3/4-10 mount, adjustable		2	
208	4526157	Caster Washer Note: Used from serial#: 0901100100838 / date: 20-Jan-09.		4	
209	4526325	Caster Washer Kit		1	

* NOT ILLUSTRATED

RECOMMENDED STOCK PARTS



GARLAND PARTS IDENTIFICATION
GF Series Gas Restaurant Ranges (non-CE & CE versions)

60" DOUBLE STANDARD OVENS COMPONENTS

ITEM	PART #	DESCRIPTION	QUANTITY		CRITICAL
			PER OVEN	WHOLE UNIT	
1A	4523068	36" Main Channel - Front		1	
1B	4525530	36" Main Channel - Rear		1	
2A	4523184	24" Main Channel - Front		1	
2B	4525529	24" Main Channel - Rear		1	
3	4522764	Body Side L/R		2	
4	4522994	Main Back		1	
5	4522762	Flue Riser Standard Oven		2	
6	2200700	Pilot R/H #0.145.010 Note: For the L/H Oven. Mounted on LEFT Side of Burner.		1	C
7	2200701	Pilot L/H #0.145.007 Note: For the R/H Oven. Mounted on RIGHT Side of Burner.		1	C
8	4525285	G/U Oven Pilot Shield L/H (Used for 2200700 Pilot R/H)		1	
9	4525300	G/U Oven Pilot Shield R/H (Used for 2200701 Pilot L/H)		1	
10	2200706	Thermocouple Retaining Nut	1	2	C
11	4524677	Pilot Bracket	1	2	
11A*	F440	#10 - 32 x 1/4" Screw (secure pilot shield, pilot bracket and pilot)			
12	2200704	3/16" Compression Nut - Oven Pilot	1	2	C
13	2200705	3/16" Ferrule - Oven Pilot	1	2	C
14	4523506	Thermocouple Oven 60"	1	2	C
15	4522763	Oven Burner Rest	1	2	
16	2512200	Burner Hold Down Bracket	1	2	
17	2200709	Pilot Orifice #40 Manufactured Gas	1	2	C
	2200702	Pilot Orifice #32 Natural Gas	1	2	C
	2200703	Pilot Orifice #23 Propane	1	2	C
non-CE and CE Export					
19A	M9-30	Large Orifice # 30 Natural Gas (G20)	1	2	C
	M9-50	Large Orifice # 50 Propane (G31)	1	2	C
	M9-30	Large Orifice # 30 Natural Gas (G20) - AUSTRALIA	1	2	C
	M9-50	Large Orifice # 50 Propane (G31) - AUSTRALIA	1	2	C
19B	22701XX	Oven Orifice Fitting (without orifice)	1	2	C
19C	2270130F	Oven Orifice Fitting w/#30 Hood - Natural	1	2	C
	2270150F	Oven Orifice Fitting w/#50 Hood - Propane Gas	1	2	C
20	4522781	Orifice Bracket Oven	1	2	
21	4525464	Oven H - Burner with Air Shutter Assembly (Partially Ported) Note: Includes a cast iron H-burner (1014901) and an air shutter (item 22).	1	2	
22	2512100	Oven Burner Air Shutter	1	2	
25	4525151	Garland 26W Oven Door Assembly	1	2	
26	4522769	Door Frame Assembly 26W	1	2	
27	1082500	Oven Door Trunion	2	4	
28	4522737	Oven Door Panel 26W (with holes)	1	2	
29	4529724	Garland Logo - Large	1	2	
30	4522377	Oven Door Liner 26W	1	2	
30A	4522789	Insulation Door Filler 26W			
30B	4522788	Insulation Door Brake 26W			
31	4522407	Door Handle End Insulator	2	4	
32	4522404	Door Handle End - Garland/USR	2	4	
33	4522644	Door Handle Garland/USR 26W	1	2	
34A	1082802	Hinge Link Rt	1	2	C
34B	1082803	Hinge Link Lt	1	2	C
35	4522772	Bell Crank Assembly	2	4	
36	F299	Bolt 1/4-20 x 1/2" Bell Crank	2	4	

* NOT ILLUSTRATED

RECOMMENDED STOCK PARTS

GARLAND PARTS IDENTIFICATION
GF Series Gas Restaurant Ranges (non-CE & CE versions)

60" DOUBLE STANDARD OVENS COMPONENTS

ITEM	PART #	DESCRIPTION	QUANTITY		CRITICAL
			PER OVEN	WHOLE UNIT	
37	4522818	Bell Crank Support Bracket	2	4	
38	1005800	Oven Door Spring	2	4	C
39	4523497	6" Long J-Bolt (F598)	1	2	C
40	4526109	Door Spring Adjustment Bracket	1	2	
41	4522770	Kick Panel 26W	1	2	
42	4526237	Knob Assembly - Oven Sit Deg F (GF Series)	1	2	C
	4526238	Knob Assembly - Oven Sit Deg C (GF Series)	1	2	C
43	4523081	SIT Shield Mount	1	2	
44	4523006	SIT Oven Control	1	2	C
45	1095499	Straight Connector 7/16"	2	4	
46	4523079	SIT Shield Right	1	2	
47	4523080	SIT Shield Left	1	2	
48	4524545	SIT Top Shield (Flame Failure Models)	1	2	
49	4524549	Tube - Sit To Manifold (Flame Failure Models)	1	2	
49A	4520720	7/16" Flexible Tubing Sit To Manifold Note: Only required for models with 12" Griddles mounted on the L/H Side of the Range.			
50	4522411	Rack Guide 26D	2	4	
51	4522408	Oven Rack 26W x 26D	1	2	
56	4522990	Corner Column Left		1	
57	4522993	Center Column		1	
58	4522991	Corner Column Right		1	
59	F298N	Bolt 10-24 X 3/8" Long Shoulder Truss Head, Nickel Plated	4	8	
60	4525054	60" Valve Panel - Standard (10 Open Top Burners) - FF		1	
	4525286	60" Valve Panel - 12" Standard & Thermostat Griddle R/H Side - FF		1	
	4525288	60" Valve Panel - 12" Standard & Thermostat Griddle L/H Side - FF		1	
	4525290	60" Valve Panel - 24" Standard & Thermostat Griddle R/H Side - FF		1	
	4525292	60" Valve Panel - 24" Standard & Thermostat Griddle L/H Side - FF		1	
	4525056	60" Valve Panel - 36" Standard & Thermostat Griddle R/H Side - FF		1	
	4525058	60" Valve Panel - 36" Standard & Thermostat Griddle L/H Side - FF		1	
61	4523198	60" Plate Rail		1	
62	4524519	Garland Valve Panel End Cap Left - FF		1	
63	4524520	Garland Valve Panel End Cap Right - FF		1	
64	4523299	Burner Box Filler - FF		2	
65	4522564	Manifold Assembly (without Fittings)		1	
65A	4527205	60" Manifold Assembly (Australian Market Only)		1	
66A	4525049	CE Regulator - Natural Gas 4.5" WC (1" Regulator)		1	C
	4525050	CE Regulator - Propane Gas 10" WC (1" Regulator)		1	C
66B	4522421	Non - CE Regulator - Natural Gas 4.5" WC (1" Regulator)		1	C
	4522422	Non - CE Regulator - Propane Gas 10" WC (1" Regulator)		1	C
67	4529768	90 Deg Elbow 3/8" Pipe to 7/16" Tube	1	2	
68	G02251-1	Pressure Test Spigot		1	
69	2203400	1/8" NPT Pipe Plug	2	4	
70	4523142	.187 Dia Tubing SIT Valve to Oven Pilot (for the Oven on the LEFT)		1	
70A	4527220	SIT Pilot Fitting 3/16		1	
71	4523180	.187 Dia Tubing SIT Valve to Oven Pilot (for the Oven on the RIGHT)		1	
72	4530485	.437 Dia Tubing SIT Valve to Oven Orifice Fitting (for the Oven on the L/H)		1	
73	4530483	.437 Dia Tubing SIT Valve to Oven Orifice Fitting (for the Oven on the R/H)		1	
74	4522774	Air Shield Pilot 26W	1	2	
75	4522773	Air Shield Solid 26W	1	2	
76	4523031	Capillary Guard 26W	1	2	

* NOT ILLUSTRATED

RECOMMENDED STOCK PARTS

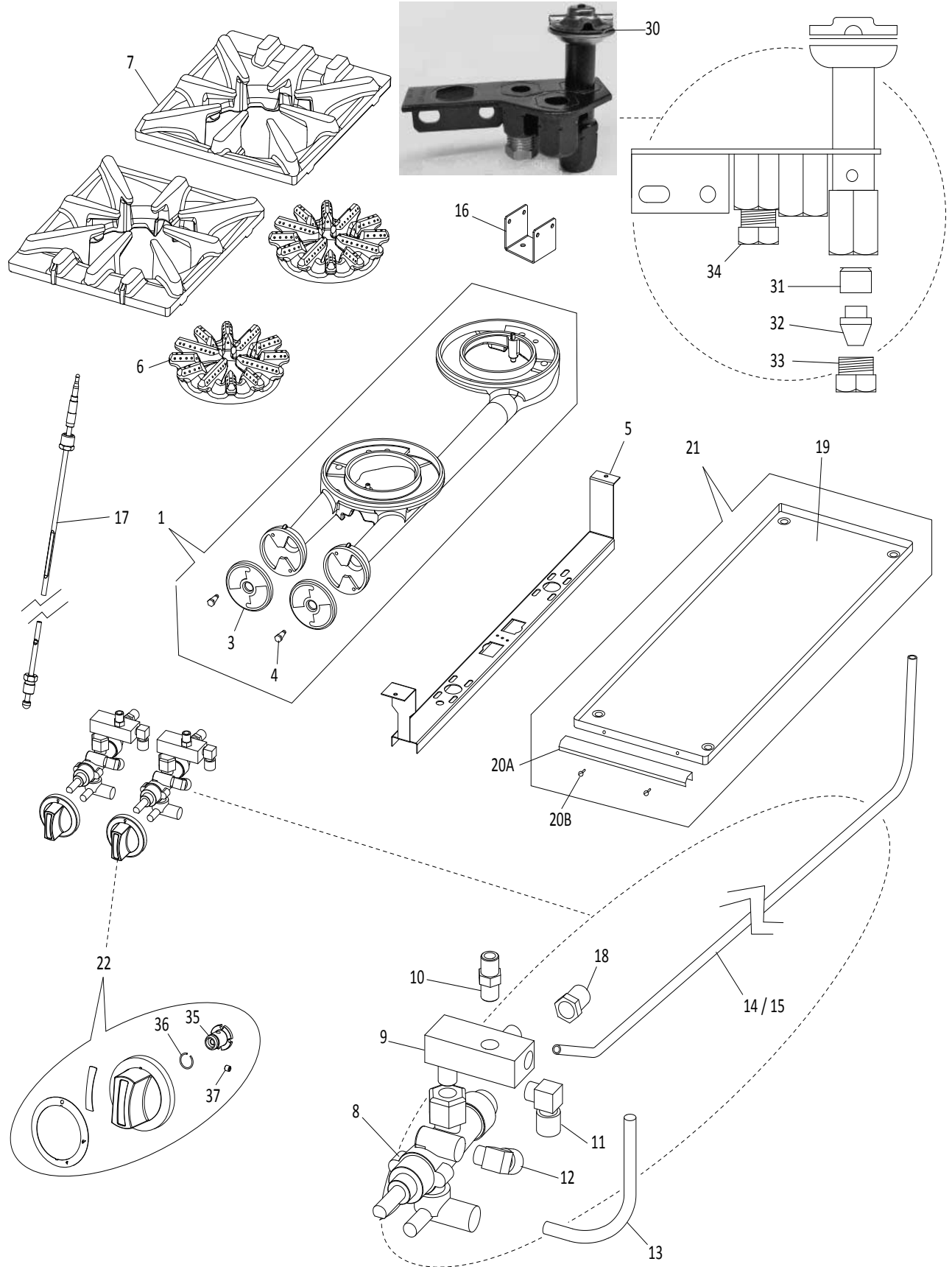
GARLAND PARTS IDENTIFICATION
GF Series Gas Restaurant Ranges (non-CE & CE versions)

60" DOUBLE STANDARD OVENS COMPONENTS

ITEM	PART #	DESCRIPTION	QUANTITY		CRITICAL
			PER OVEN	WHOLE UNIT	
77	4523030	Bulb Guard	1	2	
78	4523194	Rail Support Bracket	1	2	
79	1082700	Harness Ring	2	4	
80	4522400	Trunion Bracket	2	4	
81	4523087	Grate Support Rail (Quantity varies with top configuration.)	MAX 3		
82	4523069	36" Drip Angle		2	
83	4523186	24" Drip Angle		2	
84	1005110	Flue Collar	1	2	
85	4522996	Tie Strap Front		1	
86	4522995	Tie Strap Top		1	
87	4524632	Support Veneer Back Standard Oven (Optional)		1	
88	4524630	Veneer Back S/S - 60" Standard Oven (Optional)		1	
90	4525549	Baffle Pan Left Hand 26"W	1	2	
91	4525550	Baffle Pan Right Hand 26"W	1	2	
92	4524992	Oven Hearth 26W x 26D - Enamelled	1	2	
95	F16	SIT to Manifold Mounting Bolts (#10-24 x 2-1/2", Round Head, Slot Drive)	2	4	
96	F312	SIT to Manifold Mounting Lock Nut (K-Lock Nut, #10-24)	2	4	
104	1309201	Piezo Igniter #1244-41	1	2	C
105	CK2200211	12" High Tension Wire Leads	1	2	C
106	G03883R	Thermoflex Insulating Sleeve (sold by the foot)	12"	24"	
107	2200707	Nut, Electrode - Oven Pilot	1	2	
108	2200708	Electrode - Oven Pilot	1	2	
Legs & Casters					
200	4525074	6" Adjustable Leg, S/S		4	
201	4524104	6" Flanged Leg (Optional)		4	
202	4526324	6" Caster Package, non-adjustable (Optional) Note: Includes items 204, 205, 208, and installation instructions.		1	
203	4526323	6" Caster Package, adjustable (Optional) Note: Includes items 206, 207, 208, and installation instructions.		1	
204	4522417	6" Caster No Brake, 3/4-10 mount, non-adjustable		2	
205	4522916	6" Caster With Brake, 3/4-10 mount, non-adjustable		2	
206	4525597	6" Caster No Brake, 3/4-10 mount, adjustable		2	
207	4525598	6" Caster With Brake, 3/4-10 mount, adjustable		2	
208	4526157	Caster Washer Note: Used from serial#: 0901100100838 / date: 20-Jan-09.		4	
209	4526325	Caster Washer Kit		1	
Cabinet Door Components - 36" Storage Base Model					
300	4524282	Door Panel Outer - 36" Storage Base		1	
301	4524283	Door Panel Inner - 36" Storage Base		1	
302	F557	5/32" Rivet - S/S (Grip Range .039" - .118")		10	
303	078056-5	Flange Bearing/Bushing		2	
304	2530900	0.375" Hole Plug		2	
305	3031900	Storage Door Handle		1	
306	4524288	Door Hinge Assembly - Right		1	
307	4524287	Door Hinge Assembly - Left		1	
308	4524284	Door Stop - 36" Door, Standard Base		1	
309	F60	Screw-10AX 5/8INTLock Quad Pan		8	
310	078174-1	Magnetic Door Catch		1	

* NOT ILLUSTRATED

RECOMMENDED STOCK PARTS



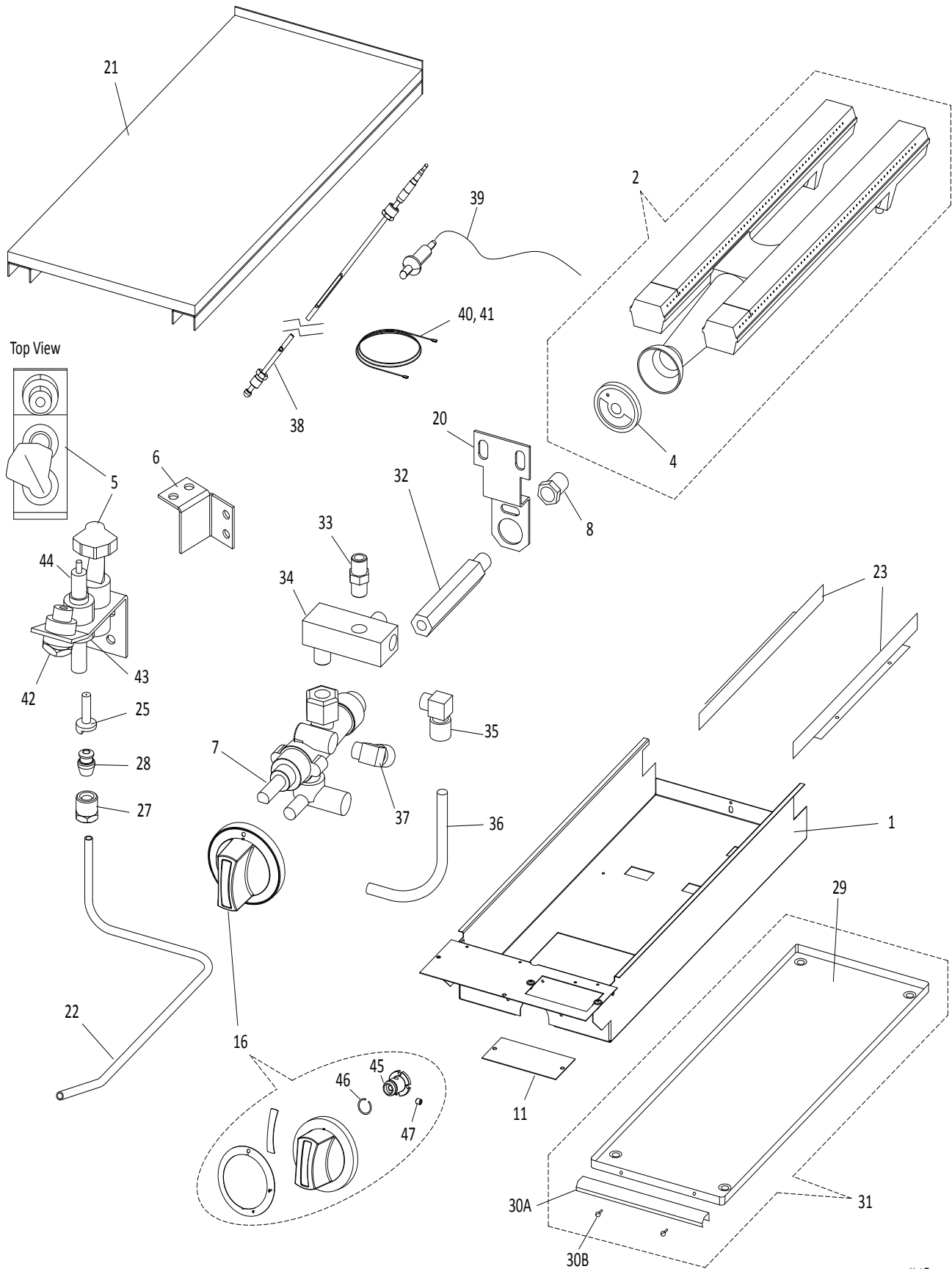
GARLAND PARTS IDENTIFICATION
GF Series Gas Restaurant Range (non-CE & CE versions)

OPEN TOP BURNERS

ITEM	PART #	DESCRIPTION	OPEN TOP SECTION					CRITICAL
			12"	24"	36"	48"	60"	
1	4522264	Dual Venturi Housing Base Assembly	1	2	3	4	5	
3	4522266	Air Shutter - Open Top	2	4	6	8	10	
4	F43	10-24 x 3/8" Hex Washer Head Screw	2	4	6	8	10	
5	4524584	Open Top Burner Rest - Flame Failure	1	2	3	4	5	
6	4522270	Star Burner Head - Garland	2	4	6	8	10	
7	4523696	Garland Top Grate	2	4	6	8	10	
8	4601582	Flame Failure Valve Assembly (From serial# 1604100101149)	2	4	6	8	10	C
9	4524371	Flame Failure Valve Mounting Block	2	4	6	8	10	
10	4524442	1/8" NPT Hex Pipe Nipple	2	4	6	8	10	
11	076050-80	Elbow Comp. 1/4T x 1/8P	2	4	6	8	10	
12	G03674-2	Valve - Pilot 3/16" 90 deg.	2	4	6	8	10	
13	4523158	.250 Tubing - FF Valve	2	4	6	8	10	
14	4523444	Open Top Tubing for Front Burner- FF	2	4	6	8	10	
15	4523445	Open Top Tubing for Rear Burner- FF	2	4	6	8	10	
16	4523288	FF - Sit Pilot Saddle	2	4	6	8	10	
17	4523505	18" Thermocouple - Sit 0290084	2	4	6	8	10	C
18	non-CE and CE Export							
	M8-2.6MM	Open Top Orifice Natural Gas #2.6mm (G20)	2	4	6	8	10	C
	M8-52	Open Top Orifice Propane Gas #52 (G31)	2	4	6	8	10	C
	M8-37	Open Top Orifice Natural Gas #37 (G20) - AUSTRALIA	2	4	6	8	10	C
	M8-53	Open Top Orifice Propane Gas #53 (G31) - AUSTRALIA	2	4	6	8	10	C
19	4522401	Crumb Tray	1	2	3	4	5	
20A	4522402	Crumb Tray Trim	1	2	3	4	5	
20B	F554	Rivet .125"dia, SS	2	4	6	8	10	
21	CK4523334	Crumb Tray Assembly	1	2	3	4	5	
22	CK4527470	Knob Assembly Kit	2	4	6	8	10	C
30	2520800	Open Burner Pilot - FF	2	4	6	8	10	C
31	2520801	Orifice Pilot 51 (Natural)	2	4	6	8	10	C
	2520802	Orifice Pilot 30 (Propane)	2	4	6	8	10	C
32	2520804	Sleeve 3/16" COMP #0.957.025	2	4	6	8	10	C
33	2200704	3/16" Compression Nut	2	4	6	8	10	C
34	2200706	Nut Thermo Retaining	2	4	6	8	10	C
35	3043202	Hub	2	4	6	8	10	
36	3043300	Spring Retainer	2	4	6	8	10	
37	F561	10-32 x 3/16 Socket Head Screw	2	4	6	8	10	

* NOT ILLUSTRATED

RECOMMENDED STOCK PARTS



Hot Top

GARLAND PARTS IDENTIFICATION
GF Series Gas Restaurant Range (non-CE & CE versions)

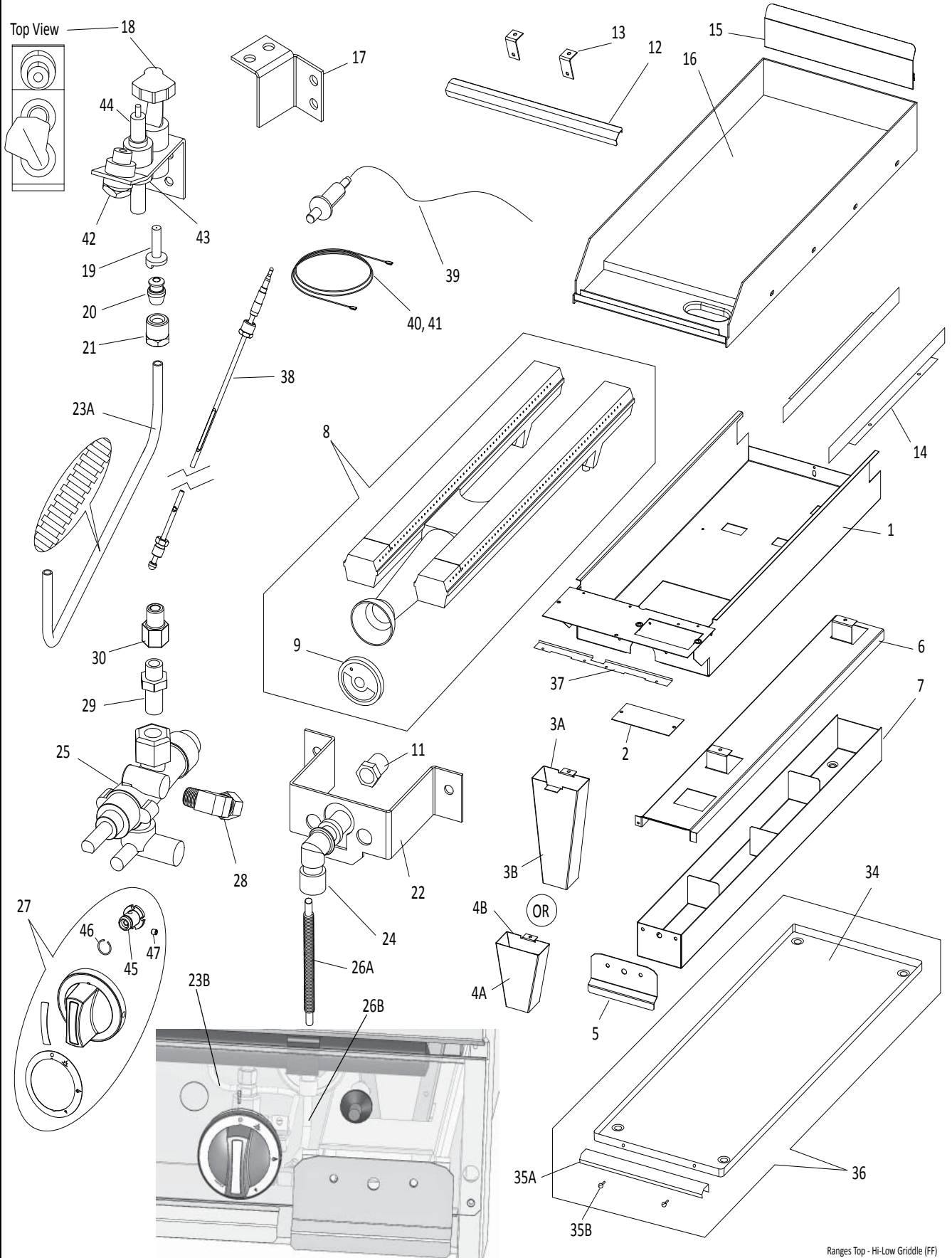
HOT TOP

ITEM	PART #	DESCRIPTION	HOT TOP SECTION			CRITICAL
			12"	24"	36"	
1	4525514	Hot Top / Griddle Burner Box	1	2	3	
2	4525463	H-Burner W/Shutter Assembly (Partially Ported) Note: Assembly includes a cast iron H-burner (p/n 1014901) and an air shutter.	1	2	3	
4	1028002	Air Shutter - Hot Top / Griddle	1	2	3	
5	2200701	Pilot Left #0.145.007	1	2	3	C
6	4525503	Sit Pilot Bracket - HT/Griddle	1	2	3	
7	4601582	Flame Failure Valve Assembly (From serial# 1604100101149)	1	2	3	C
8	non-CE and CE Export					
	M8-46	Hot Top Orifice Natural Gas #46 (G20)	1	2	3	C
	M8-1.3MM	Hot Top Orifice Propane Gas #1.3mm (G31)	1	2	3	C
	M8-47	Hot Top Orifice Small - Natural Gas #47 (G20) - AUSTRALIA	1	2	3	C
	M8-1.2MM	Hot Top Orifice Small - Propane Gas #1.2mm (G31) - AUSTRALIA	1	2	3	C
11	4524158	Griddle / Hot Top Box Patch	1	2	3	
16	CK4527470	Knob Assembly Kit	1	2	3	C
20	4523483	HT Valve Extension Support Bracket	1	2	3	
21	4523148	Hot Top 12" Assembly	1	2	3	
22	4525485	FF - Hot Top Pilot Tubing	1	2	3	
23	4525515	Burner Side Deflector	2	4	6	
25	2200702	Pilot Orifice #32 (Natural)	1	2	3	C
	2200703	Pilot Orifice #23 (Propane)	1	2	3	C
	2200709	Pilot Orifice #40 Manufactured Gas	1	2	3	C
27	2200704	3/16" Compression Nut - Oven Pilot	1	2	3	
28	2200705	3/16" Ferrule - Oven Pilot	1	2	3	
29	4522401	Crumb Tray	1	2	3	
30A	4522402	Crumb Tray Trim	1	2	3	
30B	F554	Rivet .125 in dia SS	2	4	6	
31	CK4523334	Crumb Tray Assembly	1	2	3	
32	2706802	Valve Extension 3.250"	1	2	3	
33	4524442	1/8 NPT Hex Pipe Nipple Versa No 122-A	1	2	3	
34	4524371	FF Valve Mounting Block	1	2	3	
35	076050-80	Elbow Compression 1/4T x 1/8P #69-4A	1	2	3	
36	4523158	1/4" Tubing - FF Valve Inlet	1	2	3	
37	G03674-2	Valve Pilot 3/16" Angle 90deg	1	2	3	
38	4523505	Thermocouple 18" (SIT 0290084)	1	2	3	C
39	1309201	Piezo Igniter #1244-41	1	2	3	C
40	CK2200211	12" High Tension Wire	1	2	3	C
41	G03883R	Thermo Flex Insulating Sleeve (12" for each electrode)				
42	2200706	Thermocouple Retaining Nut	1	2	3	C
43	2200707	Nut Electro	1	2	3	C
44	2200708	Electro	1	2	3	C
45	3043202	Hub	1	2	3	
46	3043300	Spring Retainer	1	2	3	
47	F561	10-32 x 3/16 Socket Head Screw	1	2	3	

* NOT ILLUSTRATED

RECOMMENDED STOCK PARTS

G_GMD_PL_RANGESGF SERIES_GF SERIES (rev 13)



GARLAND PARTS IDENTIFICATION
GF Series Gas Restaurant Range (non-CE & CE versions)

HI / LOW GRIDDLE TOP

ITEM	PART #	DESCRIPTION	GRIDDLE TOP SECTION				CRITICAL
			12"	24"	36" (RIGHT)	36" (LEFT)	
1	4525514	Griddle / Hot Top Burner Box	1	2	3	3	
2	4524158	Griddle / Hot Box Patch		1	2	2	
3A	4524326	12" Chute Rear Plate	1				
3B	4524325	12" Grease Chute Funnel	1				
4A	4523219	Grease Chute Rear Plate		1	1	1	
4B	4523218	Grease Chute Funnel		1	1	1	
5	4523217	Grease Drawer Handle		1	1	1	
6	4523221	Grease Drawer Shield		1	1	1	
7	4523493	Grease Drawer Assembly		1	1	1	
8	4525463	H-Burner W/Shutter Assembly (Partially Ported) Note: Assembly includes a cast iron H-burner (p/n 1014901) and an air shutter.	1	2	3	3	
9	1028002	Air Shutter - Hot Top / Griddle	1	2	3	3	
11	non-CE and CE Export						
	M8-46	Griddle Orifice Natural Gas #46 (G20)	1	2	3	3	C
	M8-1.3MM	Griddle Orifice Propane Gas #1.3mm (G31)	1	2	3	3	C
	M8-47	Griddle Orifice Small - Natural Gas #47 (G20) - Australia	1	2	3	3	C
	M8-1.2MM	Griddle Orifice Small - Propane Gas #1.2mm (G31) - Australia	1	2	3	3	C
12	4524416	False Trim 6" (For 60" Units with 48" Griddle Left)					
	4524414	False Trim 12" (For 48" Units with 36" Griddle Left / 60" Units with 48" Griddle Left.)					
	4523552	False Trim 16"		1		1	
	4523690	False Trim 17" (For 36" Units with 24" Griddle Right)					
	4524412	False Trim 18"					
	4523528	False Trim 28" (For 36" Units with 36" Griddle / 60" Units with 60" Griddle / 60" Unit with 36" Griddle Left)"			1	1	
	4523516	False Trim 29" (For 48" & 60" Range Models with 36" Griddles Right)			1		
13	4523519	False Trim Bracket		2	2	2	
14	4525515	Burner Side Deflector	2	4	6	6	
15	4523418	Rear Griddle Splash Guard - 12"	1				
	4523419	Rear Griddle Splash Guard - 24"		1			
	4523420	Rear Griddle Splash Guard - 36"			1	1	

* NOT ILLUSTRATED

RECOMMENDED STOCK PARTS

GARLAND PARTS IDENTIFICATION
GF Series Gas Restaurant Range (non-CE & CE versions)

HI / LOW GRIDDLE TOP

ITEM	PART #	DESCRIPTION	GRIDDLE TOP SECTION				CRITICAL
			12"	24"	36" (RIGHT)	36" (LEFT)	
16	4523235	12" Griddle Assembly	1				
	4523234	24" Griddle Assembly		1			
	4523781	24" Griddle Assembly (Fully Grooved)		1			
	4523782	24" Griddle Assembly (Right Grooved)		1			
	4523783	24" Griddle Assembly (Left Grooved)		1			
	4523931	36" Griddle Assembly - Middle Chute (For 48" unit with 36" Griddle on Left)				1	
	4523932	36" Griddle Assembly - Middle Chute - Fully Grooved (For 48" unit with 36" Griddle on Left)				1	
	4523933	36" Griddle Assembly - Middle Chute - Right Grooved (For 48" unit with 36" Griddle on Left)				1	
	4523934	36" Griddle Assembly - Middle Chute - Left Grooved (For 48" unit with 36" Griddle on Left)				1	
	4523236	36" Griddle Assembly			1	1	
	4523784	36" Griddle Assembly (Fully Grooved)			1	1	
	4523785	36" Griddle Assembly (Right Grooved)			1	1	
	4523786	36" Griddle Assembly (Left Grooved)			1	1	
17	4525503	Sit Pilot Bracket	1	2	3	3	
18	2200701	Pilot Left #0.145.007	1	2	3	3	C
19	2200702	Pilot Orifice #32 (Natural)	1	2	3	3	C
	2200703	Pilot Orifice #23 (Propane)	1	2	3	3	C
	2200709	Pilot Orifice #40 (Manufactured Gas)	1	2	3	3	C
20	2200705	3/16" Ferrule - Pilot	1	2	3	3	C
21	2200704	3/16" Compression Nut - Pilot	1	2	3	3	C
22	4527389	Orifice Bracket FF Std Grid	1	2	3	3	
23A	4525333	(FLEX) 3/16 SS Flex Tube 13 Long NOTE: Used UP TO Serial# 1603100101107.	1	2	3	3	
23B	CK4602049	(SOLID) TUBE .187 VALVE TO PILOT HI LOW GRID. Kit includes tube, compression nuts and ball sleeves. NOTE: Used FROM Serial# 1603100101108.	1	2	3	3	
24	G02486XX	Orifice Fitting	1	2	3	3	C
25	4601582	Flame Failure Valve Assembly (From serial# 1604100101149)	1	2	3	3	C
26A	4521446	(FLEX) 1/4" Flex Tubing 12" Long (Valve to Orifice Fitting) NOTE: Used UP TO June 23, 2016.	1	2	3	3	
	4525331	(FLEX) 1/4 S/S Flex Tubing 6" Long (Valve to Orifice Fitting) NOTE: Used From Jan 22, 2010 UP TO June 23, 2016. Use CK4601989 (ITEM #26B)	1	2	3	3	
26B	CK4601989	(SOLID) Tube 1/4 HI LOW GRIDDLE. Kit includes tube, compression nuts and ball sleeves. NOTE: Used FROM June 24, 2016.	1	2	3	3	
27	CK4527470	Knob Assembly Kit	1	2	3	3	C

* NOT ILLUSTRATED

RECOMMENDED STOCK PARTS

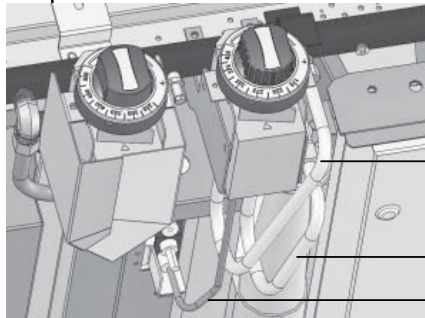
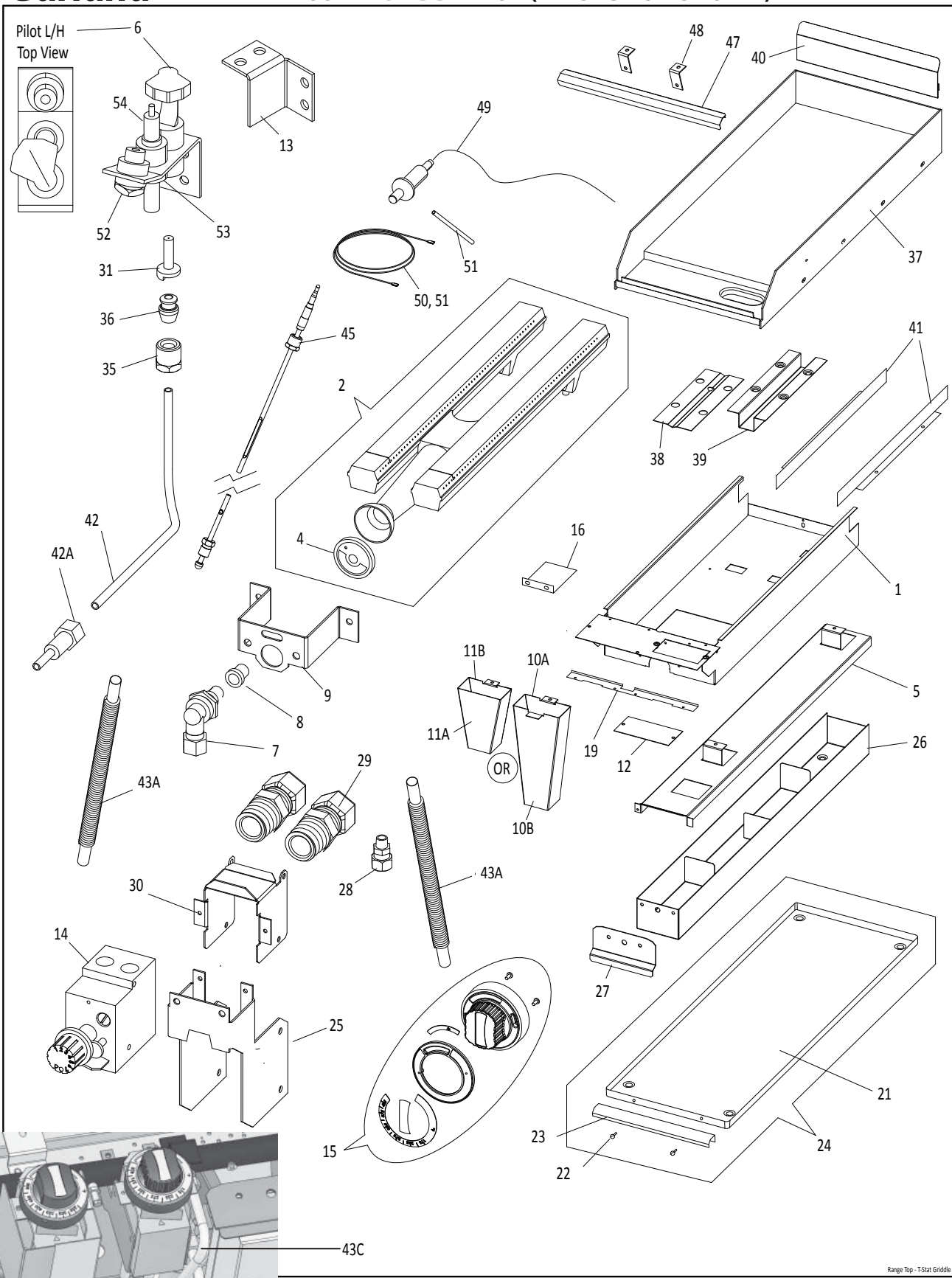
GARLAND PARTS IDENTIFICATION
GF Series Gas Restaurant Range (non-CE & CE versions)

HI / LOW GRIDDLE TOP

ITEM	PART #	DESCRIPTION	GRIDDLE TOP SECTION				CRITICAL
			12"	24"	36" (RIGHT)	36" (LEFT)	
28	G03674-2	Valve Pilot 3/16" 90deg	1	2	3	3	
29	2198102	10mm Valve Connector	1	2	3	3	
30	1086000	1/8"NPT Adapter	1	2	3	3	
34	4522401	Crumb Tray	1				
35A	4522402	Crumb Tray Trim	1				
35B	F554	Rivet .125" dia SS	2				
36	CK4523334	Crumb Tray Assembly	1				
37	4525512	Griddle Box Heat Shield	1	2	3	3	
38	4523505	Thermocouple 18" (SIT 0290084)	1	2	3	3	C
39	1309201	Piezo Igniter #1244-41	1	2	3	3	C
40	CK2200211	12" High Tension Wire	1	2	3	3	C
41	G03883R	Thermo Flex Insulating Sleeve (use 12" for each electrode)					
42	2200706	Thermocouple Retaining Nut	1	2	3	3	C
43	2200707	Nut Electro	1	2	3	3	C
44	2200708	Electro	1	2	3	3	C
45	3043202	Hub	1	2	3	3	
46	3043300	Spring Retainer	1	2	3	3	
47	F561	10-32 x 3/16 Socket Head Screw	1	2	3	3	

* NOT ILLUSTRATED

RECOMMENDED STOCK PARTS



GARLAND PARTS IDENTIFICATION
GF Series Gas Restaurant Range (non-CE & CE versions)

THERMOSTAT GRIDDLE TOP

ITEM	PART #	DESCRIPTION	T-STAT GRIDDLE TOP							CRITICAL
			12"	24"	36" RIGHT	36" LEFT	48" RIGHT	48" LEFT	60"	
1	4525514	Griddle / Hot Top Burner Box	1	2	3	3	4	4	5	
2	4525463	H-Burner W/Shutter Assembly (Partially Ported) Note: Assembly includes a cast iron H-burner (p/n 1014901) and an air shutter.	1	2	3	3	4	4	5	
4	1028002	Air Shutter - Hot Top / Griddle	1	2	3	3	4	4	5	
5	4525294	Grease Drawer Shield		1	1	1	2	2	2	
6	2200701	Pilot Left #0.145.007	1	2	3	3	4	4	5	C
7	2431900	Orifice Fitting (Orifice Hood Not Included)	1	2	3	3	4	4	5	
8	non-CE and CE Export									
	M8-47	Griddle Orifice Small - Natural Gas #47 (G20) - Includes AUSTRALIA	1	2	3	3	4	4	5	C
	M8-1.3MM	Griddle Orifice Small - Propane Gas #1.3mm (G31)	1	2	3	3	4	4	5	C
	M8-1.2MM	Griddle Orifice Small - Propane Gas #1.2mm (G31)- AUSTRALIA	1	2	3	3	4	4	5	C
9	4523212	Thermostat Griddle Orifice Bracket	1	2	3	3	4	4	5	
10A	4524326	12" Chute Rear Plate	1							
10B	4524325	12" Grease Chute Funnel	1							
11A	4523219	Grease Chute Rear		1	1	1	2	2	2	
11B	4523218	Grease Chute Funnel		1	1	1	2	2	2	
12	4524158	Griddle / Hot Box Patch		1	2	2	2	2	3	
13	4525503	Sit Pilot Bracket	1	2	3					
14	4523007	Sit Thermostat Griddle Control Note: Use 4525399 - Thermostat Griddle SIT Assembly	1	2	3	3	4	4	5	
14A	4525399	Thermostat Griddle Sit Assembly Note: Assembly includes a SIT control (item 14), a capillary shield (item 16), an insulating sleeve (item 51), fasteners, and instructions.	1	2	3	3	4	4	5	C
15	4526698	T-stat Griddle Knob Assembly, Deg F - GF/GFE Series	1	2	3	3	4	4	5	C
	4526697	T-stat Griddle Knob Assembly, Deg C - GF/GFE Series	1	2	3	3	4	4	5	C
16	4524358	Capillary Shield	1	2	3	3	4	4	5	
19	4525512	Griddle Box Heat Shield	1	2	3	3	4	4	5	
21	4522401	Crumb Tray	1							
22	F554	Rivet .125" Dia. SS	2							
23	4522402	Crumb Tray Trim	1							
24	CK4523334	Crumb Tray Assembly	1							
25	4524546	EuroSIT Mounting Bracket (FF)	1	2	3	3	4	4	5	
26	4523493	Grease Drawer Assembly		1	1	1	2	2	2	
27	4523217	Grease Drawer Handle		1	1	1	2	2	2	
28	4523064	Comp. Fitting 3/8T x 1/8P	1	2	3	3	4	4	5	
29	4525531	Male 3/8"T x 3/8" P Straight Con.Versa 68-6C	2	4	6	6	8	8	10	
30	4523081	SIT Shield Mount	1	2	3	3	4	4	5	

* NOT ILLUSTRATED

RECOMMENDED STOCK PARTS

GARLAND PARTS IDENTIFICATION
GF Series Gas Restaurant Range (non-CE & CE versions)

THERMOSTAT GRIDDLE TOP

ITEM	PART #	DESCRIPTION	T-STAT GRIDDLE TOP							CRITICAL
			12"	24"	36" RIGHT	36" LEFT	48" RIGHT	48" LEFT	60"	
31	2200702	Pilot Orifice #32 (Natural)	1	2	3	3	4	4	5	C
	2200703	Pilot Orifice #23 (Propane)	1	2	3	3	4	4	5	C
	2200709	Pilot Orifice #40 Manufactured Gas	1	2	3	3	4	4	5	C
35	2200704	3/16" Compression Nut - Oven Pilot	1	2	3	3	4	4	5	C
36	2200705	3/16" Ferrule - Oven Pilot	1	2	3	3	4	4	5	C
37	4523235	12" Griddle Assembly	1							
	4523234	24" Griddle Assembly		1						
	4523781	24" Griddle Assembly (Fully Grooved)		1						
	4523782	24" Griddle Assembly (Right Grooved)		1						
	4523783	24" Griddle Assembly (Left Grooved)		1						
	4523931	36" Griddle Assembly - Middle Chute (Used only on 48" unit w/36" Griddle on Left)				1				
	4523932	36" Griddle Assembly - Middle Chute - Fully Grooved (Used only on 48" unit w/36" Griddle on Left)				1				
	4523933	36" Griddle Assembly - Middle Chute - Right Grooved (Used only on 48" unit w/36" Griddle on Left)				1				
	4523934	36" Griddle Assembly - Middle Chute - Left Grooved (Used only on 48" unit w/36" Griddle on Left)				1				
	4523236	36" Griddle Assembly			1	1				
	4523784	36" Griddle Assembly (Fully Grooved)			1	1				
	4523785	36" Griddle Assembly (Right Grooved)			1	1				
	4523786	36" Griddle Assembly (Left Grooved)			1	1				
38	4523245	Thermostat Bulb Clamp	1	2	3	3	4	4	5	
39	4523246	Thermostat Bulb Shield	1	2	3	3	4	4	5	
40	4523418	Rear Griddle Splash Guard - 12"	1							
	4523419	Rear Griddle Splash Guard - 24"		1						
	4523420	Rear Griddle Splash Guard - 36"			1	1				
41	4525515	Burner Side Deflector / Baffle	2	4	6	6	8	8	10	
42	4524547	3/16 Pilot Tubing - SIT to Pilot - Flame Failure	1	2	3	3	4	4	5	
42A	4527220	SIT Pilot Tube Connector	1	2	3	3	4	4	5	
43A	4523409	(FLEX) 3/8 x 10" long Flex Tubing - TSTAT Griddle Note: Used UP TO Serial# 1602100103040. Use item#43B and #43C.	2	4	6	6	8	8	10	
43B	4602000	(SOLID) TUBE 3/8 TSTAT OUTLET Note: Used FROM Serial# 1602100103041	1	2	3	3	4	4	5	
43C	4601999	(SOLID) TUBE 3/8 TSTAT INLET Note: Used FROM Serial# 1602100103041	1	2	3	3	4	4	5	
45	4523505	Thermocouple SIT - 18" Long	1	2	3	3	4	4	5	C

* NOT ILLUSTRATED

RECOMMENDED STOCK PARTS

GARLAND PARTS IDENTIFICATION
GF Series Gas Restaurant Range (non-CE & CE versions)

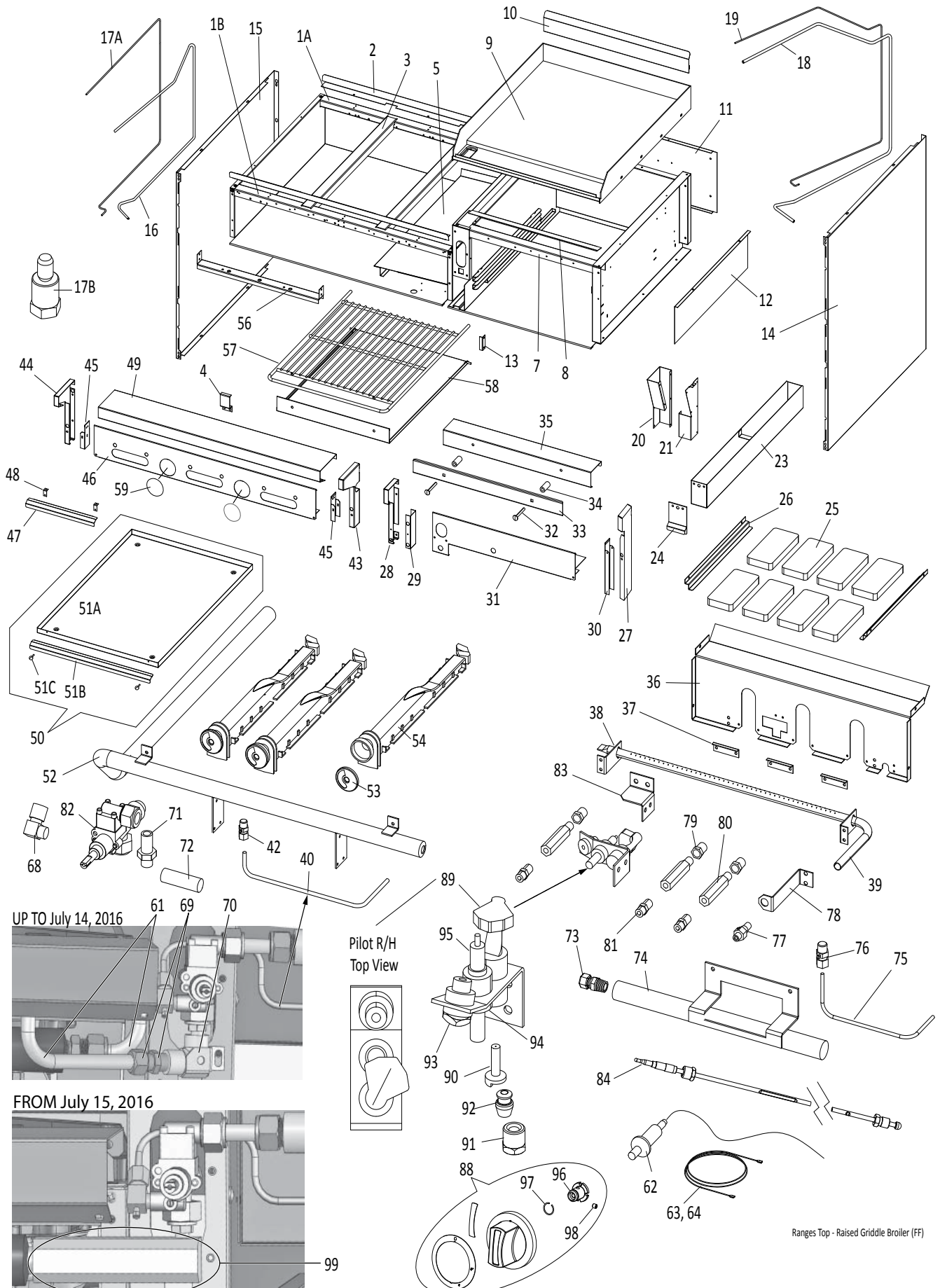
THERMOSTAT GRIDDLE TOP

ITEM	PART #	DESCRIPTION	T-STAT GRIDDLE TOP							CRITICAL
			12"	24"	36" RIGHT	36" LEFT	48" RIGHT	48" LEFT	60"	
47	4524416	False Trim 6" (Only Used on 60" Units W/48" Griddle Left)						1		
	4524414	False Trim 12" (Only Used on 48" Units W/36" Griddle Left & 60" Units W/48 Griddle Left.)						1		
	4523552	False Trim 16"		1				1		
	4523690	False Trim 17" (Only Used on 36" Units W/24" Griddle Right)					1			
	4524412	False Trim 18"					1		1	
	4523528	False Trim 28" (Used on 36" Units W/36" Griddle 60" Units W/60" Griddle & 60" Unit W/36 Griddle Left)			1	1				1
	4523516	False Trim 29" Used only for 48"&60" Range Models w/36" Griddles			1	1				
48	4523519	False Trim Bracket		2	2	2	4	6	4	
49	1309201	Piezo Igniter	1	2	3	3	4	4	5	C
50	CK2200211	12" High Tension Wire Leads	1	2	3	3	4	4	5	C
51	G03883R	Thermoflex Insulating Sleeve (sold by the foot) - Required 12" for item 50, and 22" for Griddle Thermostat Capillary.								
52	2200706	Thermocouple Retaining Nut	1	2	3	3	4	4	5	C
53	2200707	Nut Electro	1	2	3	3	4	4	5	C
54	2200708	Electro	1	2	3	3	4	4	5	C

* NOT ILLUSTRATED

RECOMMENDED STOCK PARTS

RAISED GRIDDLE BROILER TOP (GF60 ONLY)



Ranges Top - Raised Griddle Broiler (FF)

GARLAND PARTS IDENTIFICATION
GF Series Gas Restaurant Range (non-CE & CE versions)

RAISED GRIDDLE BROILER TOP (GF60 ONLY)

ITEM	PART #	DESCRIPTION	QTY	CRITICAL
1A	4523068	36" Main Channel - Front	1	
1B	4525530	36" Main Channel - Rear	1	
2	4523069	36" Drip Angle	2	
3	4523087	Grate Support Rail	2	
4	4523194	Rail Support Bracket	1	
5	4524650	Deflector Crumb Tray	1	
7	4523820	RGB Front Channel	1	
8	4524642	RGB Front Griddle Seal	1	
9	4524038	RGB Griddle Assembly	1	
10	4523419	24" Rear Griddle Splash Guard	1	
11	4523829	RGB Back Liner	1	
12	4523826	RGB Side Liner Air Shield	1	
13	4523819	RGB Rack Stop Angle	1	
14	4523810	RGB Side Skin Right	1	
15	4522764	Body Side Lt/Rt	1	
16	4530485	.437(7/16) Dia Tubing SIT Valve to Oven Orifice Fitting - Oven on the Left	1	
17A	4523142	.187(3/16) Dia Tubing SIT Valve to Oven Pilot - Oven on the Left	1	
17B	4527220	SIT Pilot Tube Connection	1	
18	4529679	.437(7/16) Dia Tubing SIT Valve to Oven RGB - Oven on the Right	1	
19	4529680	.187(3/16) Dia Tubing SIT Valve to Oven Pilot RGB - Oven on the Right	1	
20	4523824	RGB Grease Chute Front	1	
21	4523825	RGB Grease Chute Rear	1	
23	4524649	RGB Grease Drawer Assembly	1	
24	4523812	Grease Drawer Handle	1	
25	1091000	Ceramic Radiant RGB	8	
26	4524643	RGB Ceramic Support Lt/Rt	2	
27	4524711	Garland/US Range RGB Valve Panel End Cap Right Long	1	
28	4524712	Garland/US Range RGB Valve Panel End Cap Left	1	
29	4524713	RGB Valve Panel Side Shield	1	
30	4523804	RGB Burner Box Filler Right	1	
31	4523807	24" RGB FF Valve Panel	1	
32	4515934	2.5" Carriage Bolt S/S	2	
33	4521619	RGB Front Rail Bar	1	
34	3038601	RGB Front Rail Bar Spacer S/S	2	
35	4524638	Garland/US Range RGB Plate Rail	1	
36	4523872	Broiler Box Shield - FF	1	
37	4525511	Burner Support FF - RGB	3	
38	4523801	Pilot Tube Bracket	2	
39	4519967	Lighter Tube	1	
40	4525332	3/16" S/S Flex Tubing 17" Long (Used UP TO July 14, 2016)	1	
	CK4602108	Tube .188 Pilot FF RBG. Kit includes tube, ball sleeves, and compression nuts. (Used FROM July 15, 2016)	1	
42	1086199	Pilot Gum Valve Assembly 1/8NPT	1	
43	4524714	RGB Main Valve Panel FF End Cap Right	1	
44	4524519	Garland/USR Valve Panel FF End Cap Left	1	
45	4523299	Burner Box Filler - FF	2	
46	4525015	36" - RGB FF Main Valve Panel	1	
47	4522402	Crumb Tray Trim S/S (False Trim)	1	
48	4523519	False Trim Bracket	2	
49	4523072	36" Plate Rail	1	
50	CK4523828	RGB Grease Tray Assembly	1	
51A	4523828	RGB Grease Tray	1	

* NOT ILLUSTRATED

RECOMMENDED STOCK PARTS

GARLAND PARTS IDENTIFICATION
GF Series Gas Restaurant Range (non-CE & CE versions)

RAISED GRIDDLE BROILER TOP (GF60 ONLY)

ITEM	PART #	DESCRIPTION	QTY	CRITICAL
51B	4523832	RGB Tray Trim S/S	1	
51C	F554	Rivet .125 in dia SS	2	
52	4522979	Manifold Assembly - FF, RGB	1	
52A	4527207	RGB STD Manifold Assembly (Australian Market Only)	1	
53	1028002	RGB Burner Air Shutter	3	
54	1090500	RGB Burner	3	
56	4523822	RGB Burner Rest	1	
57	1090600	RGB Wire Rack	1	
58	4524648	RGB Wire Rack Drip Shield	1	
59	4523746	2.5" Dia Nickel Plated Steel Hole Plug - Storage Base Option Left/Right	1	
61	4520720	7/16" Flexible Tube (Used UP TO July 14, 2016. See item 99)	1	
62	1309201	Piezo Igniter	1	C
63	2200214	19" High Tension Wire	1	C
64	G03883R	Thermoflex Insulating Sleeve (sold by the foot)	19"	
68	G03674-2	Valve Pilot 3/16" Angle 90Deg	3	
69	4525677	1/4 NPT x 7/16 Comp. 68-7B (Used UP TO July 14, 2016. See item 99)	3	
70	4524811	Elbow Assy 1/8" x 1/4NPT (Used UP TO July 14, 2016. See item 99)	3	
71	2198100	12mm Valve Connector	3	
72	4526111	Sub-Manifold Inlet Tube	3	
73	1095499	Straight Connector	1	
74	4522981	Sub-manifold Assy - FF, RGB	1	
75	4526112	1/8" dia Pilot Tube RGB	1	
76	1086199	Gum Valve 1/8"	1	
77	4519966	Lighter Burner Orifice	1	
78	4525069	RGB - FF Flash Tube Orifice Support	1	
non-CE and CE Export				
79	M8-53	Small Orifice #53 Size Natural Gas (G20)	3	C
	M8-61	Small Orifice #61 Size LPropane Gas (G31) - incl. AUSTRALIA	3	C
	M8-47	Small Orifice #47 Size Natural Gas (G20) - AUSTRALIA	3	C
80	2706804	Brass Valve Extension	3	
81	21045XX	Orifice Fitting	3	
82	CK4601584	Flame Failure Valve (Used FROM June 20, 2016)	3	C
83	4525510	Pilot Bracket - FF, RGB	1	
84	4523505	18" Thermocouple SIT 0290084	1	C
88	CK4527470	Knob Assembly Kit		C
89	2200700	Pilot R/H #0.145.010	1	C
90	2200702	Pilot Orifice #32 (Natural)	1	C
	2200703	Pilot Orifice #23 (Propane)	1	C
	2200709	Pilot Orifice #40 Manufactured Gas	1	C
91	2200704	3/16" Compression Nut - Pilot	1	
92	2200705	3/16" Ferrule - Pilot	1	
93	2200706	Thermocouple Retaining Nut	1	C
94	2200707	Nut Electro	1	C
95	2200708	Electro	1	C
96	3043202	Hub		
97	3043300	Spring Retainer		
98	F561	10-32 x 3/16 Socket Head Screw		
99	4602104	Mount Block FF Valve RGB (Used FROM July 15, 2016. Replaced items 61, 69, 70)	1	

* NOT ILLUSTRATED

Page 20
RECOMMENDED STOCK PARTS

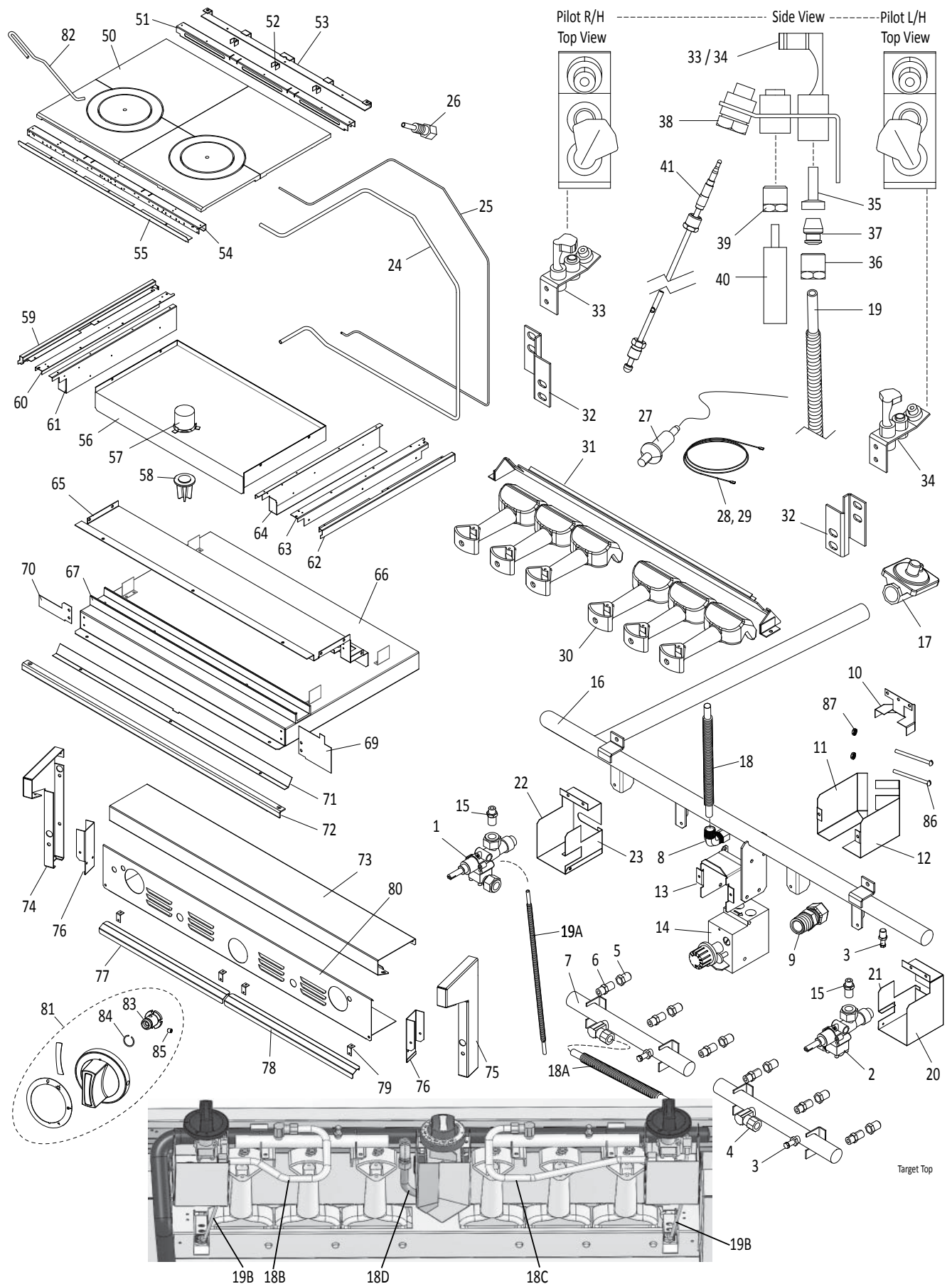
G_GMD_PL_RANGESGFSERIES_GFSERIES (rev 13)

Blank Page



GF Series Gas Restaurant Ranges (non-CE & CE versions)

TARGET HOT TOP (GF36 ONLY)



GARLAND PARTS IDENTIFICATION
GF Series Gas Restaurant Ranges (non-CE & CE versions)

TARGET HOT TOP COMPONENTS (GF36 ONLY)

ITEM	PART #	DESCRIPTION	QTY	CRITICAL
1	4601575	Flame Failure Valve, Left Side (Used FROM June 20, 2016)	1	C
2	CK4601584	Flame Failure Valve, Right Side (Used FROM June 20, 2016)	1	C
3	G02251-1	Pressure Test Spigot	3	
4	076050-90	7/16 CC x 1/4 NPT Compression Elbow	2	
5	non-CE and CE Export			
	M8-1.2MM	Target Top Burner Orifice - Natural Gas #1.2mm (G20)	6	C
	M8-63	Target Top Burner Orifice - Propane Gas #63 (G31)	6	C
	M8-52	Target Top Burner Orifice - Natural Gas #52 (G20) - AUSTRALIA	6	C
	M8-1.0MM	Target Top Burner Orifice - Propane Gas #1.0mm (G31) - AUSTRALIA	6	C
6	21045XX	Orifice Fitting	6	
7	2190499	Secondary Manifold Pipe Assembly Note: Assembly includes 1/2" Pipe and welded Mounting Brackets. Fittings Not Included.	2	
8	4529768	90 Deg Elbow, 3/8" Pipe - 7/16" Tube	1	
9	1095499	Straight Connector 68-7C	2	
10	4524545	OC FF Top Shield	1	
11	4523080	SIT Left Shield	1	
12	4523079	ES Shield Right	1	
13	4523081	ES Shield Mount	1	
14	4523006	SIT Oven Control	1	C
15	2198100	12mm Valve Connector	2	
16	4529554	Manifold Assembly GF36-TT	1	
	4529555	Manifold Assembly GF36-TT (Australia)	1	
17	4525047	CE Regulator 3/4" ISO Natural Gas 4.5" WC	1	C
	4525048	CE Regulator 3/4" ISO Propane Gas 10" WC	1	C
	2127502	Non - CE Regulator - Natural Gas 4.5" WC (3/4" Regulator)	1	C
	2127500	Non - CE Regulator - Propane Gas 10" WC (3/4" Regulator)	1	C
18A	4522554	(FLEX) 7/16 dia Flex Tube, 10" Long Note: Used UP TO Serial# 1602100102292.	3	
18B	4602001	(SOLID) TUBE .437 TTR LT SIDE Note: Used FROM Serial# 1602100102293.	1	
18C	4602002	(SOLID) TUBE .437 TTR RT SIDE Note: Used FROM Serial# 1602100102293.	1	
18D	4524549	(SOLID) 7/16DIA.TUBE MANIFOLD TO SIT INLET FF Note: Used FROM Serial# 1602100102293.	1	
19A	4525333	(FLEX) 3/16 dia S/S Flex Tube, 13" Long Note: Used UP TO Serial# 1602100102292.	2	
19B	4602014	(SOLID) TUBE .187 VALVE TO PILOT TTR Note: Used FROM Serial# 1602100102293.	2	
20	4529572	Valve Heat Shield, Right	1	
21	4529573	Valve Heat Shield Cover, Right	1	
22	4529574	Valve Heat Shield, Left	1	
23	4529575	Valve Heat Shield Cover, Left	1	
24	4529556	7/16 dia Tube, Valve to Orifice	1	
25	4529557	3/16 dia Tube, Valve to Pilot	1	
26	4527220	SIT Pilot Tube Connection, 3/16	1	
27	1309201	Piezo Igniter	2	C
28	2200214	High Tension Wire Lead	2	C
29	G03883R	Thermoflex Insulating Sleeve (sold by the foot)		
30	G3575-32	Top Burner (Natural)	6	
	G3575-36	Top Burner (Propane)	6	
31	2207799	Burner Air Shield	1	

* NOT ILLUSTRATED

RECOMMENDED STOCK PARTS

GARLAND PARTS IDENTIFICATION
GF Series Gas Restaurant Ranges (non-CE & CE versions)

TARGET HOT TOP COMPONENTS (GF36 ONLY)

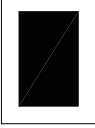
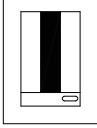
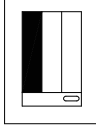
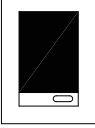
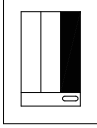

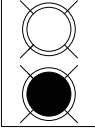
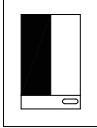
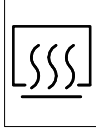
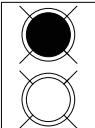
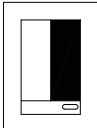
ITEM	PART #	DESCRIPTION	QTY	CRITICAL
32	2190700	Pilot Mounting Bracket	2	
33	2200700	SIT Pilot, Right, #0.145.010	1	C
34	2200701	SIT Pilot, Left, #0.145.007	1	C
35	2200702	Pilot Orifice #32 (Natural)	2	C
	2200703	Pilot Orifice #23 (Propane)	2	C
	2200709	Pilot Orifice #40 Manufactured Gas	2	C
36	2200704	3/16" Compression Nut - Pilot	2	C
37	2200705	3/16" Ferrule - Pilot	2	C
38	2200706	Thermocouple Retaining Nut - Pilot	2	C
39	2200707	Nut Electro - Pilot	2	C
40	2200708	Electro - Pilot	2	C
41	2200600	Thermocouple, 18"	2	C
50	G6117-01	Key Plate Assembly	2	
51	4525530	36" Main Channel Rear	1	
52	4529566	Grate Support Rear Stiffener	3	
53	4529565	Grate Support, Rear	1	
54	4523068	36" Main Channel Front	1	
55	4523069	36" Drip Angle	1	
56	G0450-01-6	Radiation Pan Assembly M45	1	
57	G01275-1	Grate Support	1	
58	G02398-1	Brick Post Support	1	
59	4529564	Side Filler, Left	1	
60	4529580	Grate Support Assembly, Left	1	
61	4529560	Side Filler Inside, Left	1	
62	4529563	Side Filler, Right	1	
63	4529579	Grate Support Assembly, Right	1	
64	4529559	Side Filler Inside, Right	1	
65	4529380	Top Burner Hosing	1	
66	4529381	Secondary Base Bottom Assembly	1	
67	4529558	Brick Post Support	1	
69	4529577	Heat Shield, Right	1	
70	4529578	Heat Shield, Left	1	
71	4529576	Heat Shield Front	1	
72	4529571	Grate Support, Front	1	
73	4523072	36" Plate Rail	1	
74	4524519	Garland Valve Panel End Cap - Left - FF	1	
75	4524520	Garland Valve Panel End Cap - Right - FF	1	
76	4523299	Burner Box Filler - FF	2	
77	4523552	16" False Trim	1	
78	4523690	17" False Trim	1	
79	4523519	False Trim Mounting Bracket	4	
80	4529567	Valve Panel	1	
81	CK4527470	Knob Assembly Kit	2	C
82	G6308-1-8	Lid Lifter	1	
83	3043202	Hub	2	
84	3043300	Spring Retainer	2	
85	F561	10-32 x 3/16 Socket Head Screw	2	
86	F16	SIT to Manifold Mounting Bolts (#10-24 x 2-1/2", Round Head, Slot Drive)	2	
87	F312	SIT to Manifold Mounting Lock Nut (K-Lock Nut, #10-24)	2	

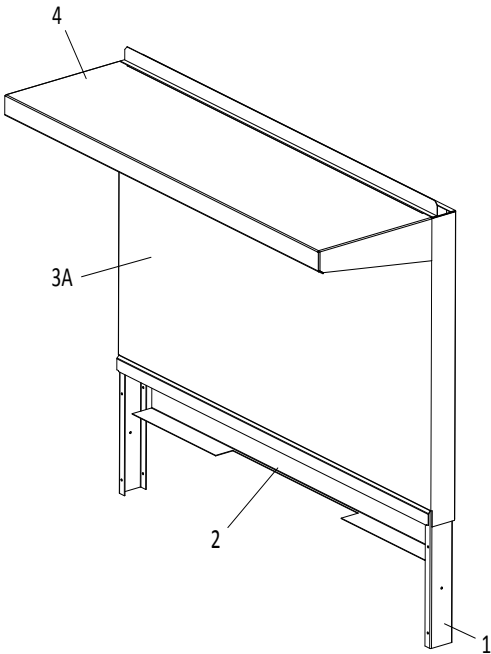
* NOT ILLUSTRATED

RECOMMENDED STOCK PARTS

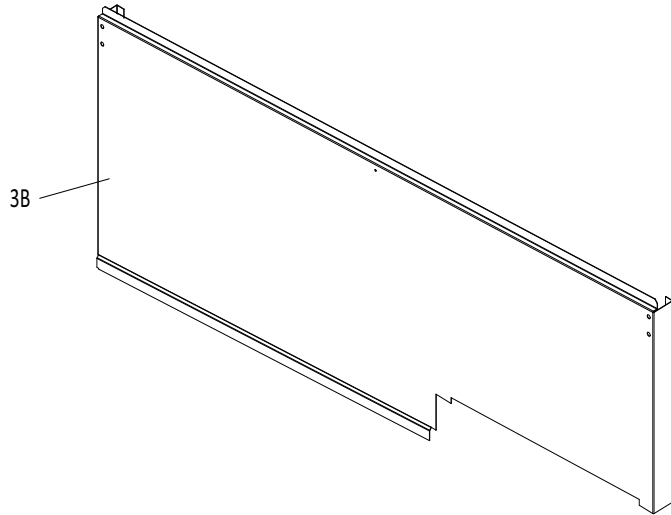
GARLAND PARTS IDENTIFICATION
GF Series Gas Restaurant Range (non-CE & CE versions)

VALVE PANEL OVERLAYS

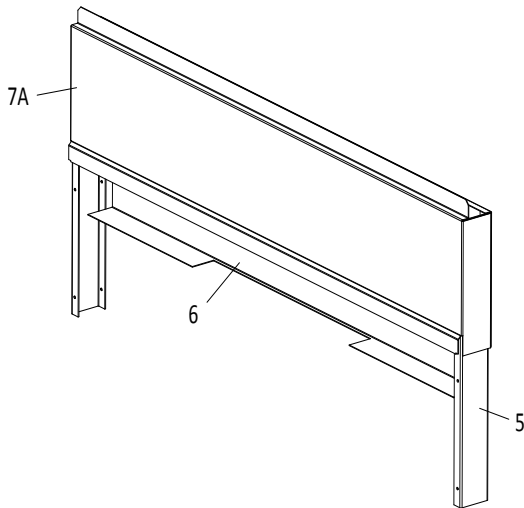
	HOT TOP 2388600		GRIDDLE 36" CENTER BURNER 2388608		GRIDDLE 36" LEFT BURNER 2388607
	GRIDDLE 12" 2388601		GRIDDLE 36" RIGHT BURNER 2388609		SPARK IGNITION 2388604
	FRONT BURNER 2388602		GRIDDLE 24" LEFT BURNER 2388605		OVEN 2388612
	BACK BURNER 2388602		GRIDDLE 24" RIGHT BURNER 2388606		



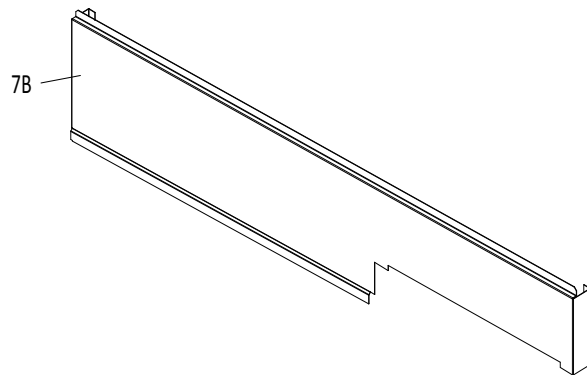
36" High Shelf Shown



60" High Shelf Front Panel
for Raised Griddle Broiler Only



48" Back Guard Shown



60" Low Guard Front Panel
for Raised Griddle Broiler Only

GARLAND PARTS IDENTIFICATION
GF Series Gas Restaurant Range (non-CE & CE versions)

HIGH SHELF & BACK GUARD COMPONENTS

ITEM	PART #	DESCRIPTION	QUANTITY
High Shelf (HS) Components			
1	4523112	High Shelf Upright (Vertical Side Channel)	2
2	4523267	24" HS Back Panel	1
	4524105	24" HS Back Panel - S/S	1
	4523111	36" HS Back Panel	1
	4523312	36" HS Back Panel - S/S	1
	4523290	48" HS Back Panel	1
	4524106	48" HS Back Panel - S/S	1
	4523268	60" HS Back Panel	1
	4524107	60" HS Back Panel - S/S	1
3A	4523289	24" HS Front Panel	1
	4523110	36" HS Front Panel	1
	4529570	36" HS Front Panel - for Target Top Model Only	1
	4523291	48" HS Front Panel	1
	4523264	60" HS Front Panel	1
3B	4523833	60" HS Front Panel - for Raised Griddle Broiler Model Only	1
4	4523293	24" Shelf	1
	4523113	36" Shelf	1
	4523294	48" Shelf	1
	4523270	60" Shelf	1
<p>9" Low Profile Back Guard (LPBG) Components</p> <p>NOTE: ALL 6" Low Profile Back Guard components are No Longer Available (NLA). Replacing any 6" Low Profile components will require a complete conversion to the 9" Low Profile Backguard Assembly.</p>			
5	4525520	9" LPBG Upright (Vertical Side Channel)	2
	4524097	9" LPBG Upright (Vertical Side Channel) - for Raised Griddle Broiler Model Only	2
6	4525521	24" LPBG Back Panel	1
	4525522	24" LPBG Back Panel - S/S	1
	4525523	36" LPBG Back Panel	1
	4525524	36" LPBG Back Panel - S/S	1
	4525525	48" LPBG Back Panel	1
	4525526	48" LPBG Back Panel - S/S	1
	4525527	60" LPBG Back Panel	1
	4525528	60" LPBG Back Panel - S/S	1
	4523887	60" LPBG Back Panel - for Raised Griddle Broiler Model Only	1
	4523895	60" LPBG Back Panel - S/S - for Raised Griddle Broiler Model Only	1
7A	4525516	24" LPBG Front Panel	1
	4525517	36" LPBG Front Panel	1
	4529569	36" LPBG Front Panel - for Target Top Model Only	1
	4525518	48" LPBG Front Panel	1
	4525519	60" LPBG Front Panel	1
7B	4523886	60" LPBG Front Panel - for Raised Griddle Broiler Model Only	1

GAS CONVERSION KITS (GF SERIES GAS RANGES)

FOR NON-CE MODELS

PART#	DESCRIPTION
4526170	Conversion Kit 24" / 36" GF Series Ranges - To Natural Gas NON-CE Models
4526171	Conversion Kit 48" / 60" GF Series Ranges - To Natural Gas NON-CE Models
4526167	Conversion Kit 24" / 36" GF Series Ranges - To Propane Gas NON-CE Models
4526168	Conversion Kit 48" / 60" GF Series Ranges - To Propane Gas NON-CE Models

FOR CE MODELS

PART#	DESCRIPTION
4526147	Conversion Kit 24" / 36" GF Series Ranges - To Natural Gas CE Models
4526148	Conversion Kit 48" / 60" GF Series Ranges - To Natural Gas CE Models
4526145	Conversion Kit 24" / 36" GF Series Ranges - To Propane Gas CE Models
4526146	Conversion Kit 48" / 60" GF Series Ranges - To Propane Gas CE Models

CRITICAL & RECOMMENDED STOCK PARTS LIST

PART#	DESCRIPTION	PART#	DESCRIPTION
1005800	Oven Door Spring - Garland	CK4601584	Flame Failure Valve
1082802	Hinge Link Right	4526237	Knob Assembly - Oven Sit Deg F (Flame Failure)
1082803	Hinge Link Left	4526238	Knob Assembly - Oven Sit Deg C (Flame Failure)
1309201	Piezo Igniter #1244-41	4526697	T-stat Griddle Knob Assembly, Deg C - GF/GFE
2127500	Regulator (3/4") Propane Gas, 10" WC (non-CE)	4526698	T-stat Griddle Knob Assembly, Deg F - GF/GFE
2127502	Regulator (3/4") Natural Gas, 4.5" WC (non-CE)	9004701	Oven Door Spring Hook
2187099	Flame Failure Valve, Left Side	2270130F	Oven Orifice Fitting w/#30 Hood (Natural)
4601582	Flame Failure Valve Assembly	2270133F	Oven Orifice Fitting w/#33 Hood (Natural)
2200211	12" High Tension Wire Leads	2270150F	Oven Orifice Fitting w/#50 Hood (Propane)
2200214	19" High Tension Wire	2270151F	Oven Orifice Fitting w/#51 Hood (Propane)
2200600	Thermocouple, 18"	22701XX	Oven Orifice Fitting (without orifice)
2200700	Pilot R/H #0.145.010 (on LEFT Side of Burner)	CK2200211	12" High Tension Wire Leads
2200701	Pilot L/H #0.145.007 (on RIGHT Side of Burner)	CK4527470	Knob Assembly Kit
2200702	Pilot Orifice #32 Natural Gas	G02486XX	Orifice Fitting (without orifice)
2200703	Pilot Orifice #23 Propane	M8-1.0MM	Orifice, LP #1.0mm (G31) - AUSTRALIA
2200704	3/16" Compression Nut - Oven Pilot	M8-1.2MM	Orifice, LP #1.2mm (G31) - AUSTRALIA
2200705	3/16" Ferrule - Oven Pilot	M8-1.2MM	Orifice - Natural Gas #1.2mm (G20)
2200706	Thermocouple Retaining Nut	M8-1.3MM	Orifice, LP #1.3mm (G31)
2200707	Nut, Electrode - Pilot	M8-2.6MM	Open Top Orifice Natural Gas #2.6mm (G20)
2200708	Electrode - Pilot	M8-37	Open Top Orifice, Nat, #37 (G20) - AUSTRALIA
2200709	Pilot Orifice #40 Manufactured Gas	M8-46	Orifice Natural Gas #46 (G20)
2520800	Open Burner Pilot - FF	M8-47	Small Orifice #47 Size, Nat (G20) - AUSTRALIA
2520801	Orifice Pilot 51 (Natural)	M8-52	Open Top Orifice Propane Gas #52 (G31)
2520802	Orifice Pilot 30 (Propane)	M8-52	Orifice, Nat #52 (G20) - AUSTRALIA
2520804	Sleeve 3/16" COMP #0.957.025	M8-53	Orifice Propane Gas #53 (G31) - AUSTRALIA
4522421	non-CE Regulator, Nat, 4.5" WC (1" Regulator)	M8-53	Small Orifice #53, Natural Gas (G20)
4522422	non-CE Regulator, LP, 10" WC (1" Regulator)	M8-61	Small Orifice #61, LP (G31) - non-CE/CE Export/AUSTRALIA
4523006	SIT Oven Control	M8-63	Orifice - Propane Gas #63 (G31)
4523497	6" Long J-Bolt (F598)	M9-30	Large Orifice #30 Natural Gas (G20) - non-CE/CE Export/AUSTRALIA
4523505	18" Thermocouple - Sit 0290084	M9-33	Large Orifice #33 Natural Gas (G20) - non-CE/CE Export/AUSTRALIA
4523506	Thermocouple Oven 60"	M9-50	Large Orifice #50 Propane (G31) - non-CE/CE Export/AUSTRALIA
4525047	Regulator - Natural Gas, 3/4" ISO, 4.5" WC (CE)	M9-51	Large Orifice #51 Propane (G31)
4525048	Regulator - LP, 3/4" ISO, 10" WC (CE, Australia)	M9-52	Large Orifice #52 Propane (G31) - AUSTRALIA
4525049	CE Regulator - Nat, 4.5" WC (1" Regulator)		
4525050	CE Regulator - LP 10" WC (1" Regulator)		
4525399	Thermostat Griddle Sit Assembly		

RELATED BULLETINS (GF/GFE SERIES GAS RANGES)

BULLETIN#	DESCRIPTION	DATE
GAR-09-14-AIC	New Oven SIT Control Calibration Instructions	Mar 14, 2014

GARLAND PARTS IDENTIFICATION Revision History

REV	PAGE#**	ITEM#**	NOTES	DATE
			Removed Convection Oven pages.	
	4-5		New pages - Added introductory info.	
	38-41		New pages - New Target Top model.	
	23, 26, 30 37, 40	22, 27, 88 16, 81	Knob Assembly Kit (CK4527470) replaced Knob Assembly 4526695.	
	23, 27, 30 37, 40	35-37, 45-47 96-98 45-47, 83-85	Added parts that can be sold separately outside the knob assembly kit: Hub (3043202), Retainer (3043300), and fastener (F561).	
	7, 11, 15, 19	29, 33, 29, 29	New Garland Logo 4529724 replaced old logo 4522397.	
	7, 11	29A, 33A	New Pal Nut F640 replaced F95 for the new Garland Logo Plate.	
	34	34	T-Stat Griddle Top: Added SIT to Pilot Tubing FF (4524547), which replaced Tubing 4525535.	
	7, 11, 15, 19	19B, 24, 19B, 19B	Orifice Fitting (without orifice) 22701XX replaced 14155XX.	
	7, 11, 15, 19	19C, 22, 19C, 19C	Added/Revised Orifice Fitting part numbers.	
	9, 17, 21	201	Added Optional Flanged Leg p/n 4524104.	
	9, 13, 17, 21	202-203	Caster Package p/n 4526324 replaced 4523536, & 4526323 replaced 4523547.	
	8, 17, 21, 40	95-96, 108-107, 104-105, 86-87	Added SIT mounting fasteners p/n F16 and F312.	
	11	29	Oven Door Assembly - Revised p/n - 4525154 was 4523566.	
	11	30A-30B	Added insulation p/n 4522790, 4522791.	
	12	52	SIT shield - Revised p/n - 4524545 was 4523499.	
	12	53A, 53B	SIT tubing - Revised p/n - 4524549 was 4523145; 4520720 was 45207020.	
	12	69-71	VP End Caps and Filler - Revised p/n - 4524519 was 4523073; 4524520 was 4523074; 4523299 was 4523193.	
	12	74	PARTS uses 4529768 instead of G02352-1 (elbow fitting).	
	13, 21	90, 84	Flue Collar - Revised p/n - 1005110 was 1005104	
	15, 20	42, 41	Door Spring 4530057 replaced 4526109.	
	16	75	New Valve Panel - Added 4529567 for target top model. Deleted valve panels 4524420, 4524428, 4524426, 4524429, 4525250, 4525252, 4525254 as not applicable.	
	21	102-103	Added insulation p/n 4522789, 4522788.	
	21	60	Deleted VP 4525055, 4525287, 4525289, 4525057 as not applicable.	
	29	18-19	SIT Tubing - 4529679 replaced 4524797; 4529680 replaced 4524798.	
	29	22, 55	Deleted information. No assemblies available.	
	29	43	VP End Cap - Revised p/n - 4524714 was 4524520.	
	29	52A	Manifold - Revised p/n - 4527207 was 4527206.	
	30	58	PARTS use 4524648 instead of 4524647.	
	42-43		Combined info. Added additional p/n for Target Top Model.	
	29	42	Gum Valve 1086199 replaced 1086597.	
	8, 12, 16, 20	57, 66, 73, 59	Bolt - F298N replaced F298.	
	44		Removed list of wiring diagrams as not applicable.(W/D for convection ovens)	
	46		Added critical parts list	
	4	69	Oven tubing, changed from 4523243 to 4530485.	
	12	79, 80	Oven tubings, changed from 4523243 to 4530485; from 4524963 to 4530484.	
	16	72, 73	Oven tubings, changed from 4523243 to 4530485; from 4523982 to 4530483.	
	26	16	Oven tubing, changed from 4523243 to 4530485.	
	ALL SECTIONS		H-Burner 4525463. Removed part 1014901—component of 4525463—not sold separately.	
	4, 8, 12, 16	201	Flanged Leg. Corrected illustration.	
	16	300-310	Added storage base cabinet door components (optional).	
	30	25	Corrected illustration.	
	9, 18	40	Door Spring Bracket 4526109 replaced 4530057.	
	43		Added section - Related Bulletin	
	21, 23, 26	8, 7, 25	New FF valve, direct replacement. Was 2200194. ECO-000437	
	34	82	New FF valve, direct replacement. Was 4526106. ECO-000437	
	37	1, 2	New FF valve, direct replacement. Was 2187099 (left), 4526106 (right). ECO-000437	
	42		Updated recommended stock parts list per new FF valves.	
	26	23B, 26B	Added new solid tubing parts. ECO-000667A	
	30	43B, 43C	Added new solid tubing parts. ECO-000667A	
	37	18B, 18C, 18D, 19B	Added new solid tubing parts. ECO-000669B	
	32-34	40, 61, 69, 70, 99	Added new solid tubing and new assembly. ECO-000811D	
	26, 30, 37, 32-34		Solid Tubings, some available in Kits, some used from serial# are available.	

** Page#/Item# reference the specific page/item numbers in the corresponding Revision version only.



1-844-724-CARE • www.mtwkitchencare.com