



## GF Sentry Series Infra-Red Salamander Broiler

*models*

**GFIR36C GFIR36**  
**GFIR48 GFIR60**



# PARTS LIST

### Parts & Service

T (USA & Canada): 1 800 427 6668

F (USA & Canada): 1 800 361 7745

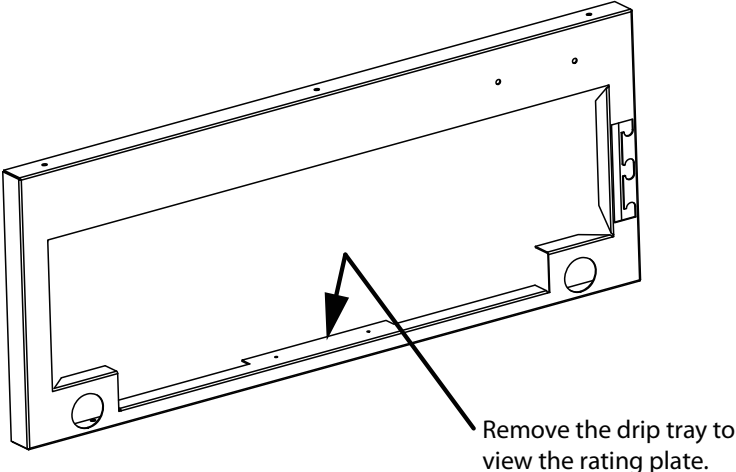
[www.Garland-Group.com](http://www.Garland-Group.com)

Garland Commercial Ranges, Ltd.  
1177 Kamato Road  
Mississauga, Ontario L4W 1X4 Canada  
[www.Garland-Group.com](http://www.Garland-Group.com)



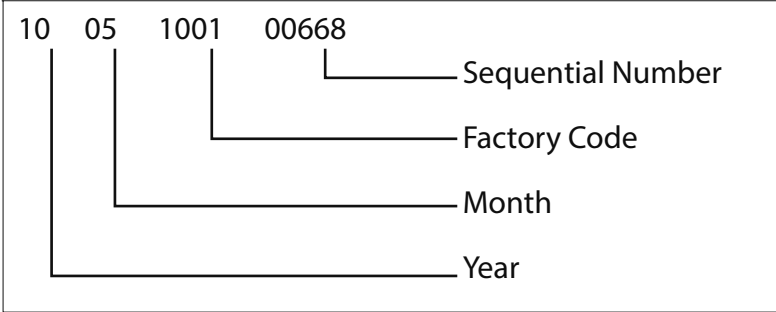
# Rating Plate Location

---



# Serial Number Explained (13-Digits, Year/Month Information)

---

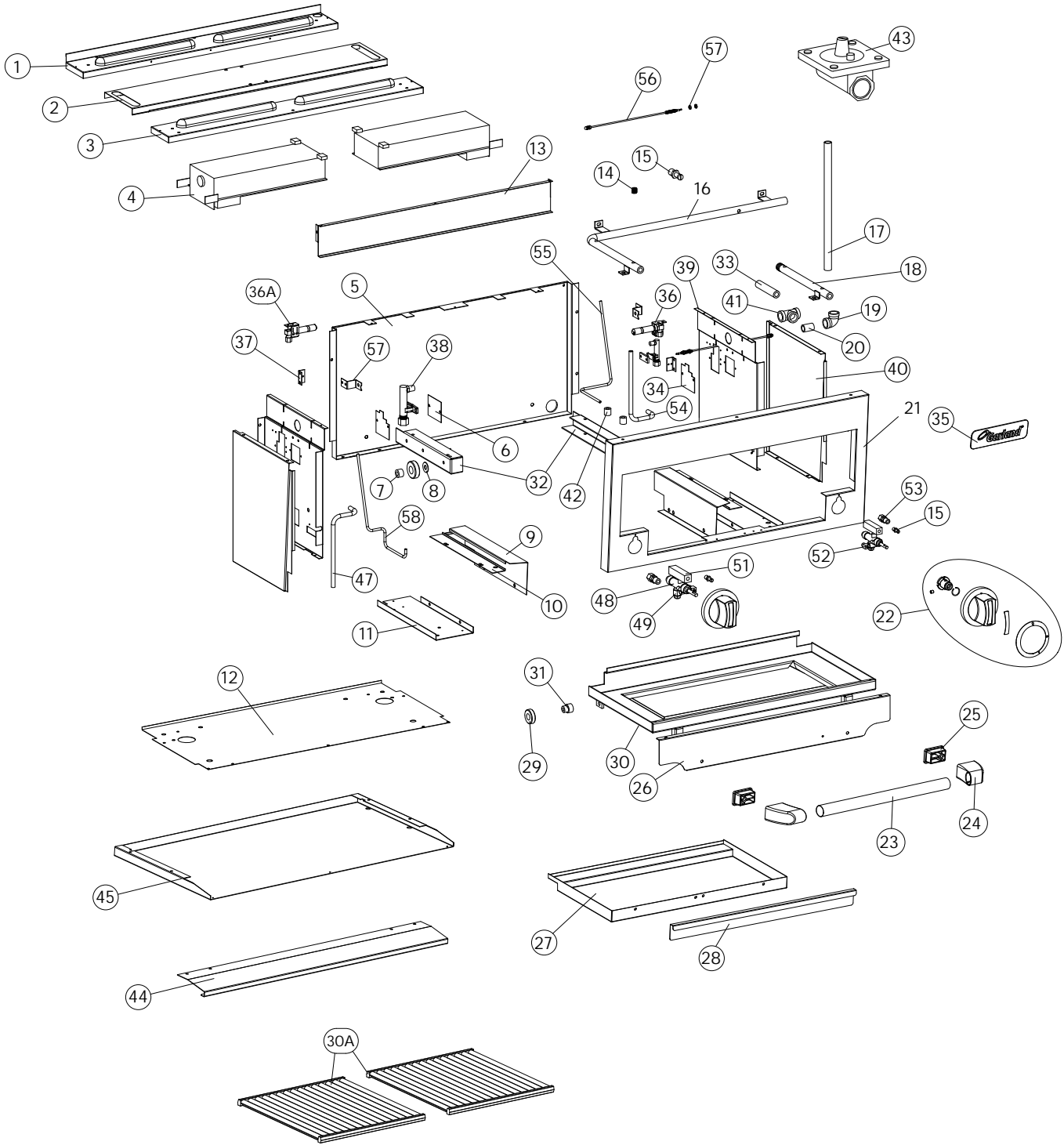




## **GF Sentry Series Infra-Red Salamander Broiler**

### ***Contents:***

Rating Plate Location / Serial Number Explained (Year/Month Information).....	<b>2</b>
Components.....	<b>4</b>
Rear Panel for 36in Model .....	<b>7</b>
Rear Panel for 48in Model .....	<b>8</b>
Rear Panel for 60in Model .....	<b>9</b>
Optional Inter-Connect Gas Kit .....	<b>10</b>
Revision History.....	<b>12</b>



**GARLAND PARTS IDENTIFICATION**  
**GF Sentry Series Infra-Red Salamander Broiler**

ITEM	PART #	DESCRIPTION	MODEL				CRITICAL
			36"	36C	48"	60"	
1	G01377-1-9	Main Top Back	1	1	1	1	
2	G01376-1-9	Main Top Centre	1	1	1	1	
3	G01375-1-9	Main Top Front	1	1	1	1	
4	<b>2572100</b>	<b>MSR Burner (Required for North America / Export Models)</b>	1	1	1	1	
	<b>CK117</b>	<b>SRC Burner Assembly (Required for Australia / CE Models)</b>	1	1	1	1	
5	2564200	Flue Back	1	1	1	1	
6	G01371-1-6	Orifice Fitting Cover	1	1	1	1	
7	G01247-2	Front Bearing	2	2	2	2	
8	F112	Washer Bearing	2	2	2	2	
9	2592798	Valve Housing Assy LH	1	1	1	1	
	2592799	Valve Housing Assy RH					
10	2576200	Valve Housing Retainer	1	1	1	1	
11	2541998	Manifold Housing Bottom LH	1	1	1	1	
	2541999	Manifold Housing Bottom RH	1	1	1	1	
12	2540800	Bottom Cover Used for GFIR36C Models ONLY		1			
13	2580200	Front Brace	1	1	1	1	
14	2203400	Cnt. Sunk 1/8" NPT Hex Plug	4	4	4	4	
15	G02251-1	Pressure Test Spigot	3	3	3	3	
16	2541799	Manifold Assembly	1	1	1	1	
17	G01477-9	Nipple 1/2" NPT x 18" Long	1	1	1	1	
18	2567999	Sub-Manifold Assembly	1	1	1	1	
19	G01474-2	Elbow - 1/2 NPT	1	1	1	1	
20	G01477-10	Nipple 1/2" NPT x 1-1/2" Long	1	1	1	1	
21	2593100	Front Frame	1	1	1	1	
22	<b>CK4527470</b>	<b>GFIR Series Salamander Knob Assembly</b>	2	2	2	2	C
23	4526039	GFIR Salamander Handle	1	1	1	1	
24	4522404	Door Handle End (Universal Left/Right Hand)	2	2	2	2	
25	4522407	Door Handle End Insulator (Universal Left/Right Hand)	2	2	2	2	
26	2592600	Rack Veneer	1	1	1	1	
27	2601300	Grease Tray	1	1	1	1	
28	2540700	Grease Tray Front	1	1	1	1	
29	<b>G01244-1</b>	<b>Large Roller Bearing</b>	4	4	4	4	
30	2593099	Rack Frame & Grease Chute Assembly	1	1	1	1	
30A*	4520649	Rack (Double Sided - Half Round/Diamond)	2	2	2	2	
31	<b>G01247-3</b>	<b>Rear Bushing</b>	2	2	2	2	
32	G02469-01-81	Roller Guide Assembly R/H	1	1	1	1	
	G02469-01-82	Roller Guide Assembly L/H	1	1	1	1	
33	G01477-2	Nipple 1/2" NPT x 4-1/8" Long	2	2	2	2	
34	4526781	Cover Plate	2	2	2	2	
35	4529724	Nameplate Large- GARLAND	1	1	1	1	
36	<b>G01267-5</b>	<b>Pilot Burner</b>	2	2	2	2	C
36A	<b>G01267-2</b>	<b>Pilot Orifice Fitting - Natural Gas</b>	2	2	2	2	C
	<b>G01267-3</b>	<b>Pilot Orifice Fitting - Propane Gas</b>	2	2	2	2	C
37	G02649-1-6	Pilot Bracket	2	2	2	2	

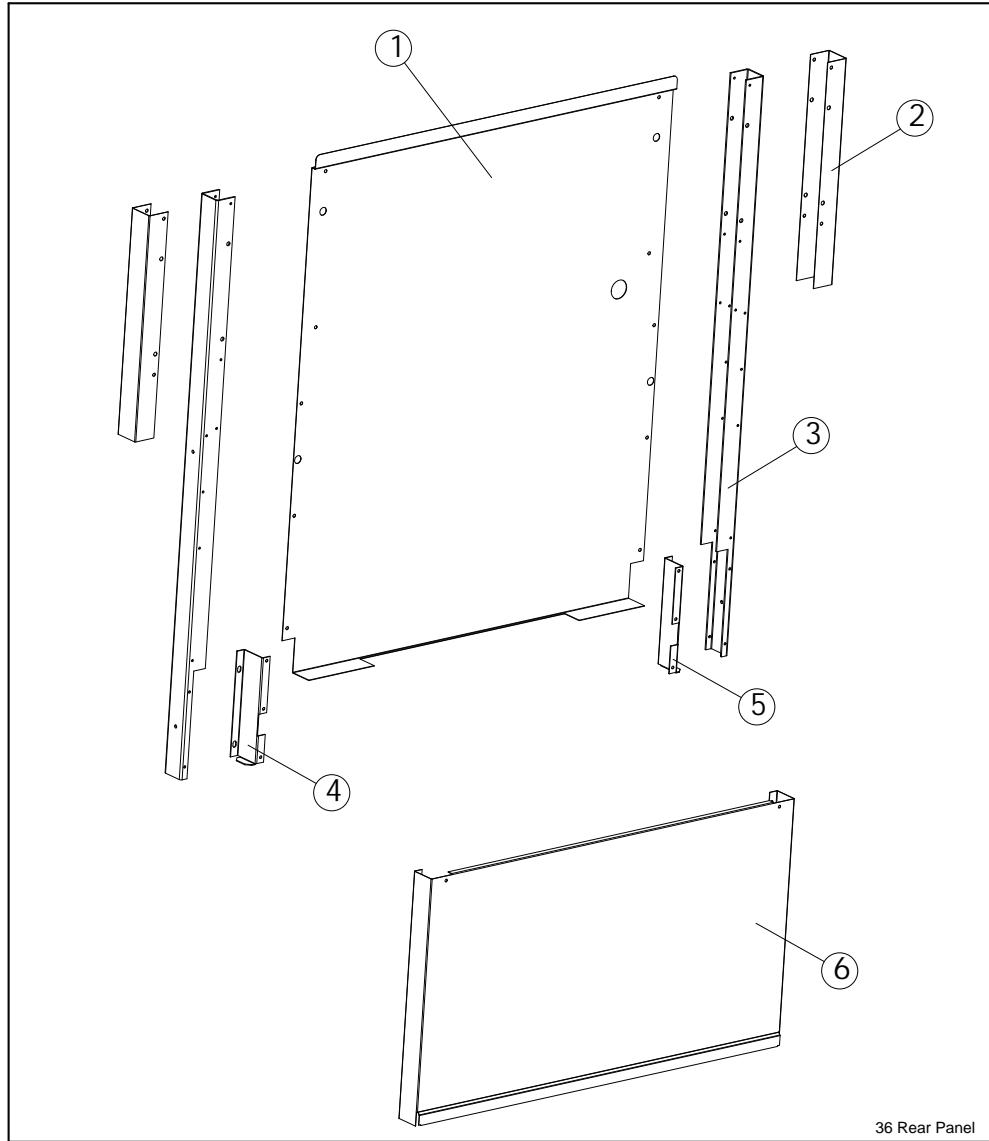
\* NOT ILLUSTRATED  
RECOMMENDED STOCK PARTS

**GARLAND PARTS IDENTIFICATION**  
**GF Sentry Series Infra-Red Salamander Broiler**

ITEM	PART #	DESCRIPTION	MODEL				CRITICAL	
			36"	36C	48"	60"		
38	G01411-48	Orifice Fitting #50 Natural (North America)	2	2	2	2	C	
	G01411-55	Orifice Fitting Propane 1.2MM (North America)	2	2	2	2	C	
	G01411-XX	Orifice Fitting - 1.6MM Natural (CE)		2	2	2	2	C
		Orifice Fitting - 1.1MM Propane (CE)		2	2	2	2	C
		Orifice Fitting - 2.4MM Natural Gas (AUSTRALIA)		2	2	2	2	C
		Orifice Fitting - 1.4MM Propane Gas (AUSTRALIA)		2	2	2	2	C
		Orifice Fitting - 1.7MM Natural Gas (EXPORT)		2	2	2	2	C
Orifice Fitting - 1.2MM Propane Gas (EXPORT)		2	2	2	2	C		
39	4526785	Side Liner - Right Hand	1	1	1	1		
	4526786	Side Liner - Left Hand	1	1	1	1		
40	2567302	Main Side R/H (S/S)	1	1	1	1		
	2567303	Main Side L/H (S/S)	1	1	1	1		
41	G01476-1	Tee 1/2" NPT	1	1	1	1		
42	G01989-1-8	Post Bearing 1/2" Dia x 1/2" Long	4	4	4	4		
43	2127500	Regulator 3/4" Propane Gas 10IN W/C (North America/Export)	1	1	1	1	C	
	2127502	Regulator 3/4" Natural Gas 6.0IN W/C (North America/Export)	1	1	1	1	C	
	-	Regulator 3/4" ISO Natural Gas 4.5IN W/C - (CE/AUSTRALIA) (Not supplied)	1	1	1	1		
	-	Regulator 3/4" ISO Propane Gas 10IN W/C - (CE/AUSTRALIA) (Not supplied)	1	1	1	1		
44	2612000	Heat Shield Front S/S	1	1	1	1		
45	2612100	Heat Shield Bottom S/S	1	1	1	1		
47	4527406	7/16 Dia Tubing Valve - Orifice Left	1	1	1	1		
48	2200199	Flame Failure Valve	2	2	2	2	C	
49	2198102	Valve Connector Fitting 10mm	2	2	2	2	C	
51	2542000	Valve Extension Block	2	2	2	2		
52	G03674-3	Valve-Pilot 1/4" 90°	2	2	2	2		
53	G01243-1	Fitting 7-16" CC x 1/4" NPT	2	2	2	2	C	
54	4527406	7/16" x 16" Dia Tubing Valve - Orifice Right	1	1	1	1		
55	4527418	1/4" Dia Tubing Pilot - Flame Failure Right	1	1	1	1		
56	2321902	Thermocouple 23 1/2"	2	2	2	2	C	
57	2155202	M8 X 1 Brass Nut - Thermocouple	4	4	4	4	C	
57	4526780	Thermocouple Support Bracket - Left / Right	1	1	1	1		
58	4527418	1/4" x 18" Dia Tubing Pilot - Flame Failure Left	1	1	1	1		

\* NOT ILLUSTRATED  
RECOMMENDED STOCK PARTS

**GARLAND PARTS IDENTIFICATION**  
**GF Sentry Series Infra-Red Salamander Broiler**  
**Range Mount Components to Install Salamander 36" Model**



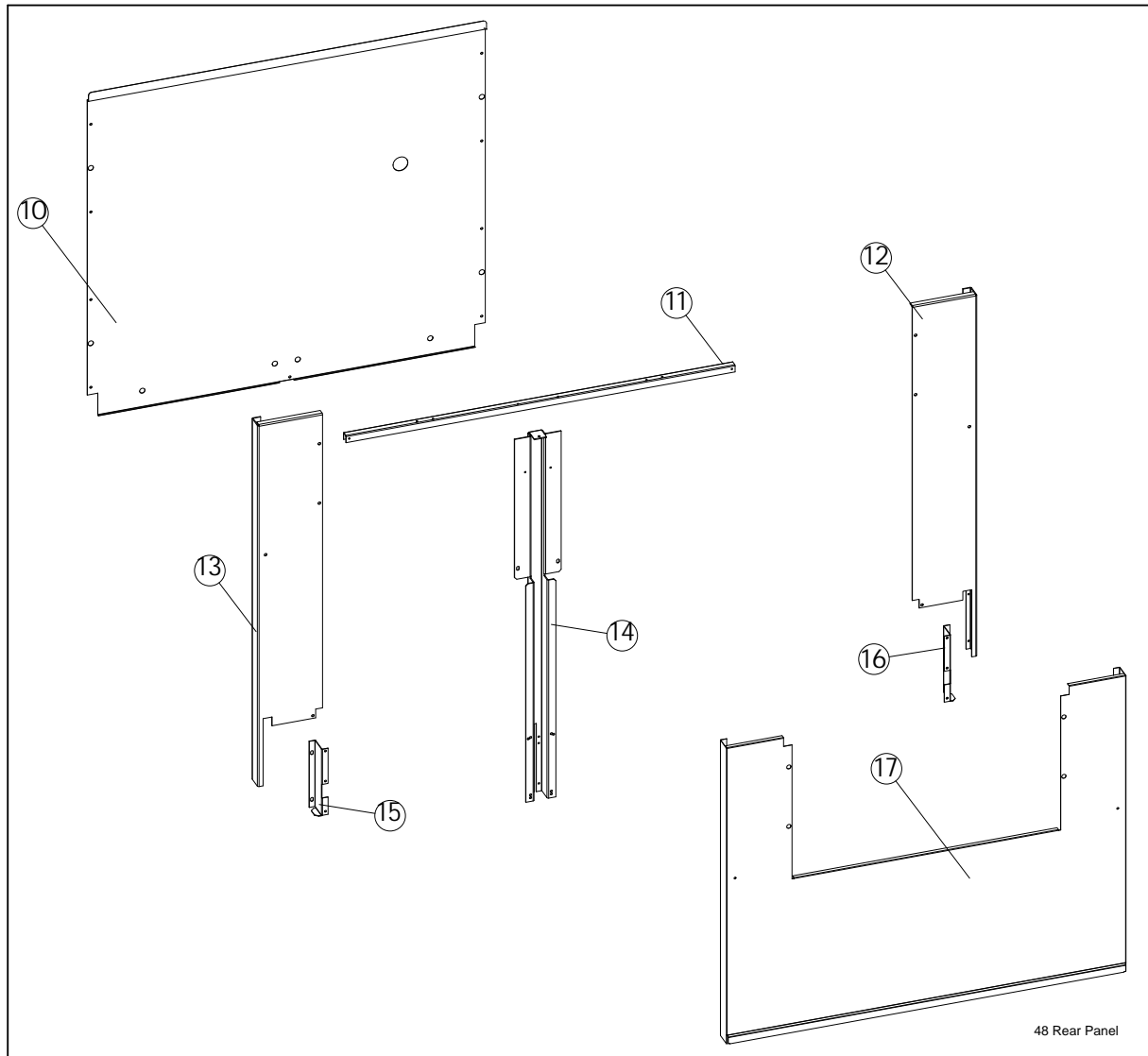
36 Rear Panel

ITEM	PART#	DESCRIPTION	QTY
1	4525983	GFIR 36" Standard Back	1
	4525976	GFIR 36" Standard Back - S/S	1
2	4525957	Upright Veneer Salamander - S/S	2
3	4525932	Upright GF Series Salamander - GALVANIZED	2
4	4523226	Salamander Support Left Hand - GALVANIZED	1
5	4523227	Salamander Support Right Hand - GALVANIZED	1
6	4523110	36" High Shelf Front Panel - S/S	1

\* NOT ILLUSTRATED

**RECOMMENDED STOCK PARTS**

**GARLAND PARTS IDENTIFICATION**  
**GF Sentry Series Infra-Red Salamander Broiler**  
**Range Mount Components to Install Salamander 48" Model**



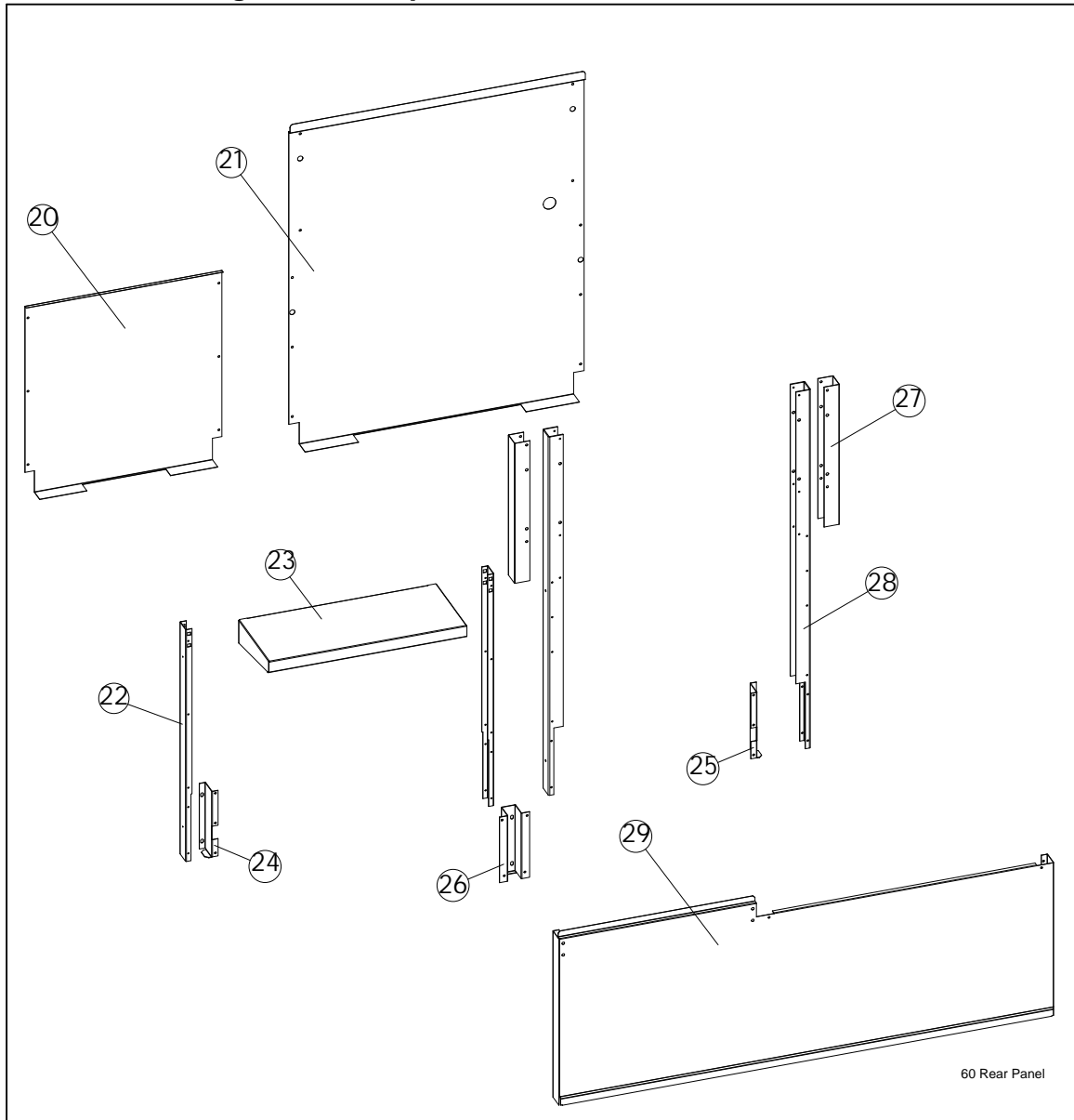
ITEM	PART#	DESCRIPTION	QTY
10	4525966	Rear Panel GFIR48 - GALVANIZED	1
	4525996	GFIR 36" S/S Back	1
11	4524055	48" Salamander Anti-Sway Bracket	1
12	4525962	Upright Right Hand GFIR48 - GALVANIZED	1
13	4525963	Upright Left Hand GFIR48 - GALVANIZED	1
14	4525965	Centre Support GFIR48 - GALVANIZED	1
15	4523226	Salamander Support Left Hand - GALVANIZED	1
16	4523227	Salamander Support Right Hand - GALVANIZED	1
17	4525964	Front Panel GFIR48 - S/S	1

\* NOT ILLUSTRATED

**RECOMMENDED STOCK PARTS**



**GARLAND PARTS IDENTIFICATION**  
**GF Sentry Series Infra-Red Salamander Broiler**  
**Range Mount Components to Install Salamander 60" Model**



ITEM	PART#	DESCRIPTION
20	4523914	24IN High Shelf Salamander Back Standard - GALVANIZED
	4523915	24IN High Shelf Salamander Back - S/S
21	4525983	GFIR 36" Series Back - GALVANIZED
	4525976	GFIR 36" Series Back S/S
22	4523112	Upright High Shelf - GALVANIZED
23	4523293	24" SHELF S/S
24	4523226	Salamander Support Left Hand - GALVANIZED
25	4523227	Salamander Support Right Hand - GALVANIZED
26	4523282	Salamander/High Shelf Support Bracket - Salamander Left Hand
27	4525957	Upright Veneer Salamander - S/S
28	4525932	Upright GF Series Salamander - GALVANIZED
29	4523265	60" HIGH SHELF FRONT PANEL SALAMANDER LEFT HAND - S/S
	4523900	60" HIGH SHELF FRONT PANEL SALAMANDER RIGHT HAND - S/S
	4523901	60" BROILER/GRIDDLE FRONT PANEL SALAMANDER LEFT HAND - S/S

\* NOT ILLUSTRATED

**RECOMMENDED STOCK PARTS**

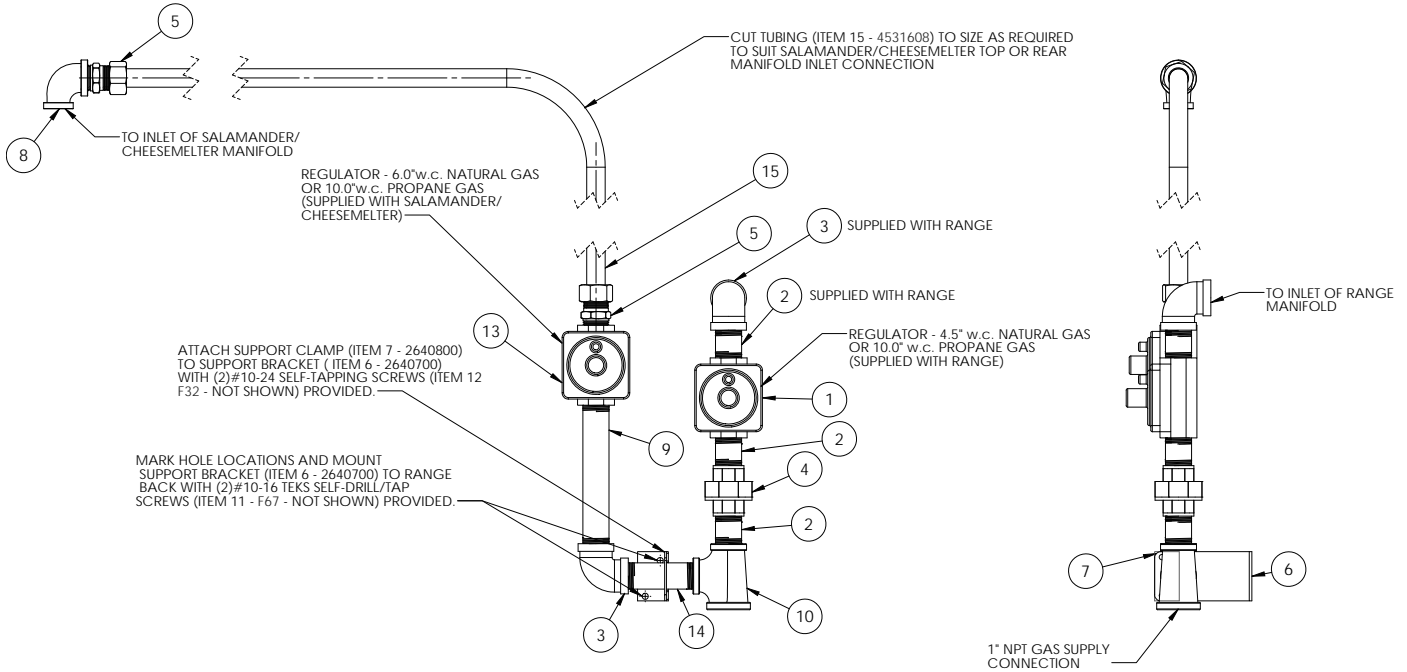
## GARLAND PARTS IDENTIFICATION

### GF Sentry Series Infra-Red Salamander Broiler

#### OPTIONAL INTER-CONNECT GAS KIT FOR 36" RANGE

The gas supply of the range mounted salamanders may be inter-connected with the supply of the range, so both units are supplied from a single gas connection. The supply gas piping should be a minimum of 1" (25mm) diameter to ensure enough gas capacity is available at the specified pressure to supply the total combined input rating of both appliances. The components comprising the optional inter-connect kit are shown below.

#### Optional Interconnect Gas Kit #4531606 - Version 1, Connecting to a 36in Range

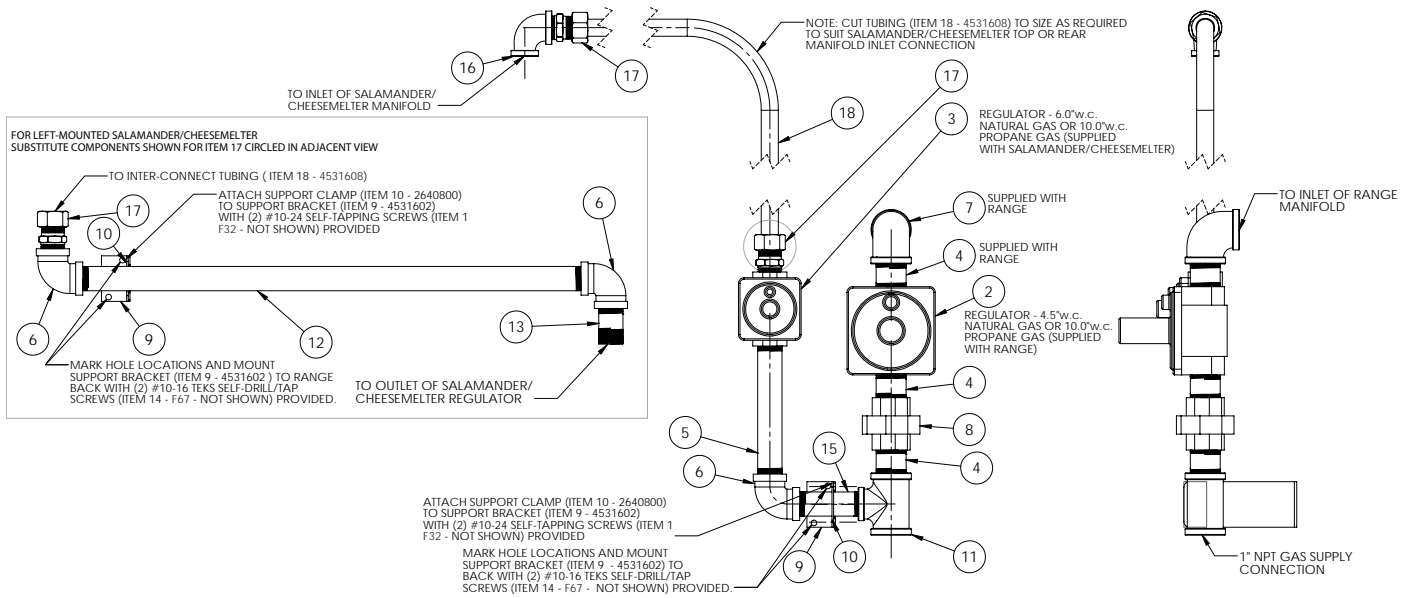


ITEM	PART#	DESCRIPTION	QUANTITY 36"
1	2127502	4.5" W.C 3/4" NPT, REGULATOR NATURAL GAS, SUPPLIED WITH RANGE	1
	4525047	3/4" ISO 7-1, REGULATOR NATURAL GAS, SUPPLIED WITH RANGE	1
	2127500	10" W.C 3/4" NPT, REGULATOR PROPANE GAS, SUPPLIED WITH RANGE	1
	4525048	3/4" ISO 7-1, REGULATOR PROPANE GAS, SUPPLIED WITH RANGE	1
2	G01738-14	NIPPLE, 3/4" NPT X 1/2" (ONE SUPPLIED WITH RANGE)	3
3	G01474-5	ELBOW, 90DEG, 3/4" NPT (ONE SUPPLIED WITH RANGE)	2
4	G01963-1	UNION, 3/4" NPT	2
5	301300	3/4" CC X 3/4" NPT STRAIGHT FITTING	2
6	2640700	BRACKET, PIPE SUPPORT	1
7	2640800	CLAMP, PIPE SUPPORT BRACKET	1
8	G01474-9	REDUCING ELBOW, 90DEG, 3/4" NPT X 1/2" NPT	1
9	G01738-5	NIPPLE, 3/4" NPT X 6.5"	1
10	G03716-1	REDUCING TEE, 3/4" NPT X 3/4" NPT X 1"	1
11	F67	SCREW, #10-16 X 1/2" HEX, WASHER HEAD, TEKS SELF-DRILL/TAP (NOT SHOWN)	2
12	F32	SCREW, #10-24 X 1/2" PAN HEAD, SELF-TAP, TYPE F (NOT SHOWN)	2
13	2127503	6" W.C 3/4" NPT, REGULATOR NATURAL GAS, SUPPLIED WITH SALAMANDER/CHEESEMELTER	1
	2127500	10" W.C 3/4" NPT, REGULATOR PROPANE GAS, SUPPLIED WITH SALAMANDER/CHEESEMELTER	1
14	G1738-11	NIPPLE, 3/4" NPT X 3.5"	1
15	4531608	TUBING 3/4"	1

# GARLAND PARTS IDENTIFICATION

## GF Sentry Series Infra-Red Salamander Broiler OPTIONAL INTER-CONNECT GAS KIT FOR 48"/60" RANGE

Optional Interconnect Gas Kit #4531606 - Version 2, Connecting to a 48in or 60in Range



ITEM	PART#	DESCRIPTION	QUANTITY
			48" / 60"
1	F32	SCREW, #10-24 X 1/2" PAN HEAD, SELF-TAP, TYPE F (NOT SHOWN)	4
2	4522421	4.5"W.C 1"NPT, REGULATOR NATURAL GAS, SUPPLIED WITH RANGE	1
	4525049	1" ISO 7-1, REGULATOR NATURAL GAS, SUPPLIED WITH RANGE	1
	4522422	10"W.C 1"NPT, REGULATOR PROPANE GAS, SUPPLIED WITH RANGE	1
	4525050	1" ISO 7-1, REGULATOR PROPANE GAS, SUPPLIED WITH RANGE	1
3	2127503	6"W.C 3/4" NPT, REGULATOR NATURAL GAS, SUPPLIED WITH SALAMANDER/CHEESEMELTER	1
	2127500	10"W.C 3/4" NPT, REGULATOR PROPANE GAS, SUPPLIED WITH SALAMANDER/CHEESEMELTER	1
4	076029-204	NIPPLE, 1" NPT X 2" (ONE SUPPLIED WITH RANGE)	3
5	G1738-5	NIPPLE, 3/4" NPT X 6.5"	1
6	G01474-5	ELBOW, 90DEG, 3/4" NPT	3
7	076029-171	ELBOW, 90DEG, 1" NPT (SUPPLIED WITH RANGE)	1
8	4530189	UNION, 1" NPT	1
9	4531602	BRACKET, PIPE SUPPORT 48/60	2
10	2640800	CLAMP, PIPE SUPPORT BRACKET	2
11	3012800	REDUCING TEE, 1" NPT X 1" NPT X 3/4"	1
12	G01738-16	NIPPLE, 3/4" NPT X 22.75"	1
13	G01738-14	NIPPLE, 3/4" NPT X 2"	1
14	F67	SCREW, #10-16 X 1/2" HEX, WASHER HEAD, TEKS SELF-DRILL/TAP (NOT SHOWN)	4
15	G01738-11	NIPPLE, 3/4" NPT X 3.5"	1
16	G01474-9	REDUCING ELBOW, 90DEG, 3/4" NPT X 1/2" NPT	1
17	3013000	3/4"CC X 3/4" NPT STRAIGHT FITTING	2
18	4531608	TUBING 3/4"	1

**GARLAND PARTS IDENTIFICATION**  
**GF Sentry Series Infra-Red Salamander Broiler**

**REVISION HISTORY (GFIR)**

<b>REV</b>	<b>BY</b>	<b>PAGE/ITEM</b>	<b>NOTES</b>	<b>DATE</b>
0	CM		NEW BOOK - MODEL: GFIR SERIES INFRA-RED SALAMANDER BROILER	MAY 20/10
1	CM	1,3	FIXED FRONT PAGE MODELS NAME	OCT 26/10
2	HH	p.2 pp.7-8	Added serial# info, rating plate loc. New gas interconnect kits PCO 06579/07032	MAY 08/14
		pp.4-6 #41 #6, 8, 38, 39, 41, 43, 47, 54, 55, 57, 58	New part numbers.	MAY 23/14



---

**GF Sentry Series Infra-Red Salamander Broiler GFIR — Parts List**

**Garland Commercial Ranges, Ltd.**  
1177 Kamato Road  
Mississauga, Ontario L4W 1X4 Canada  
[www.Garland-Group.com](http://www.Garland-Group.com)

**Parts & Service**  
1 800 427 6668 (Phone, US & Canada)  
1 800 361 7745 (Fax, US & Canada)

