



**GF SERIES  
GAS MODULAR TOP (suffix T)**

*models* **GF24-\_\_T, GF36-\_\_T**  
**(non-CE & CE versions)**

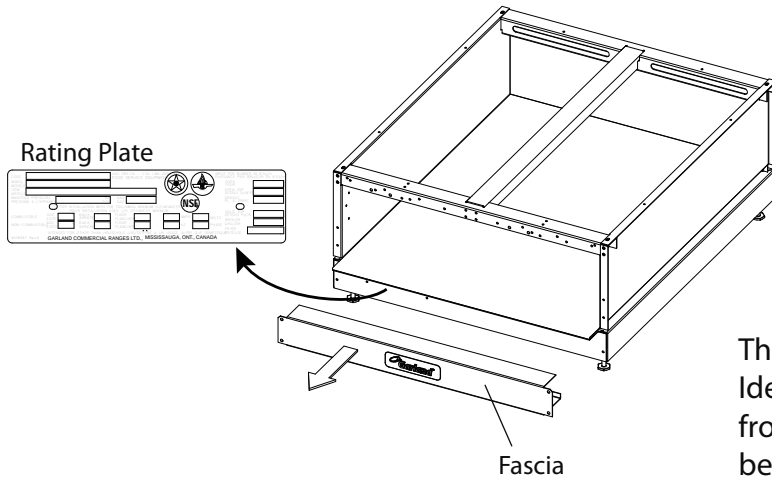
**PARTS LIST**

**P** (US & Canada): 1 800 427 6668

**F** (US & Canada): 1 800 361 7745

*www.Garland-Group.com*

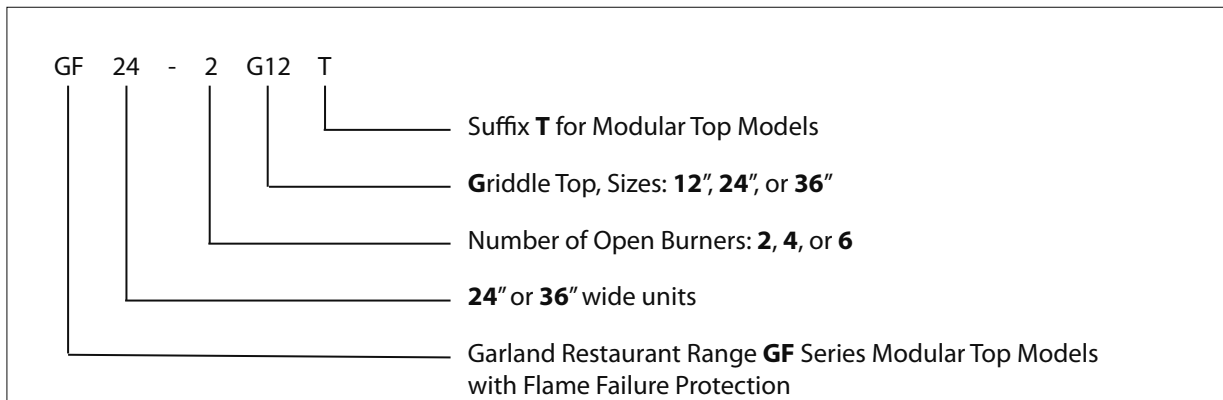
# Rating Plate Location



The Rating Plate (Product Identification Plate) is affixed to the front edge of the chassis bottom, behind the bottom fascia.

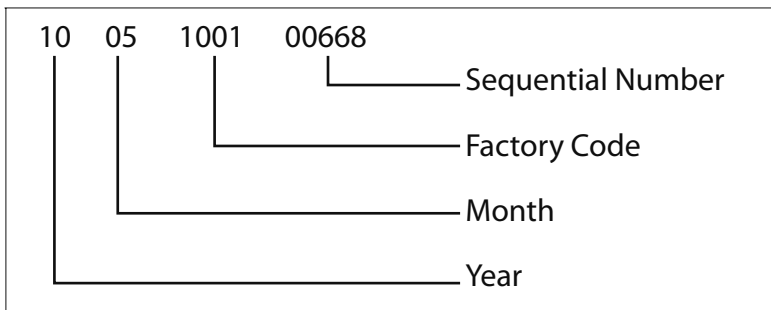
# Model Code Interpretation

The model configuration code can be found on the unit's rating plate. See "Rating Plate Location". Example:



# Serial# - Year/Month Information

The serial number is **13 Digits long** and is stamped on the rating plate. See "Rating Plate Location".





**GF SERIES  
GAS MODULAR TOP (suffix T)**

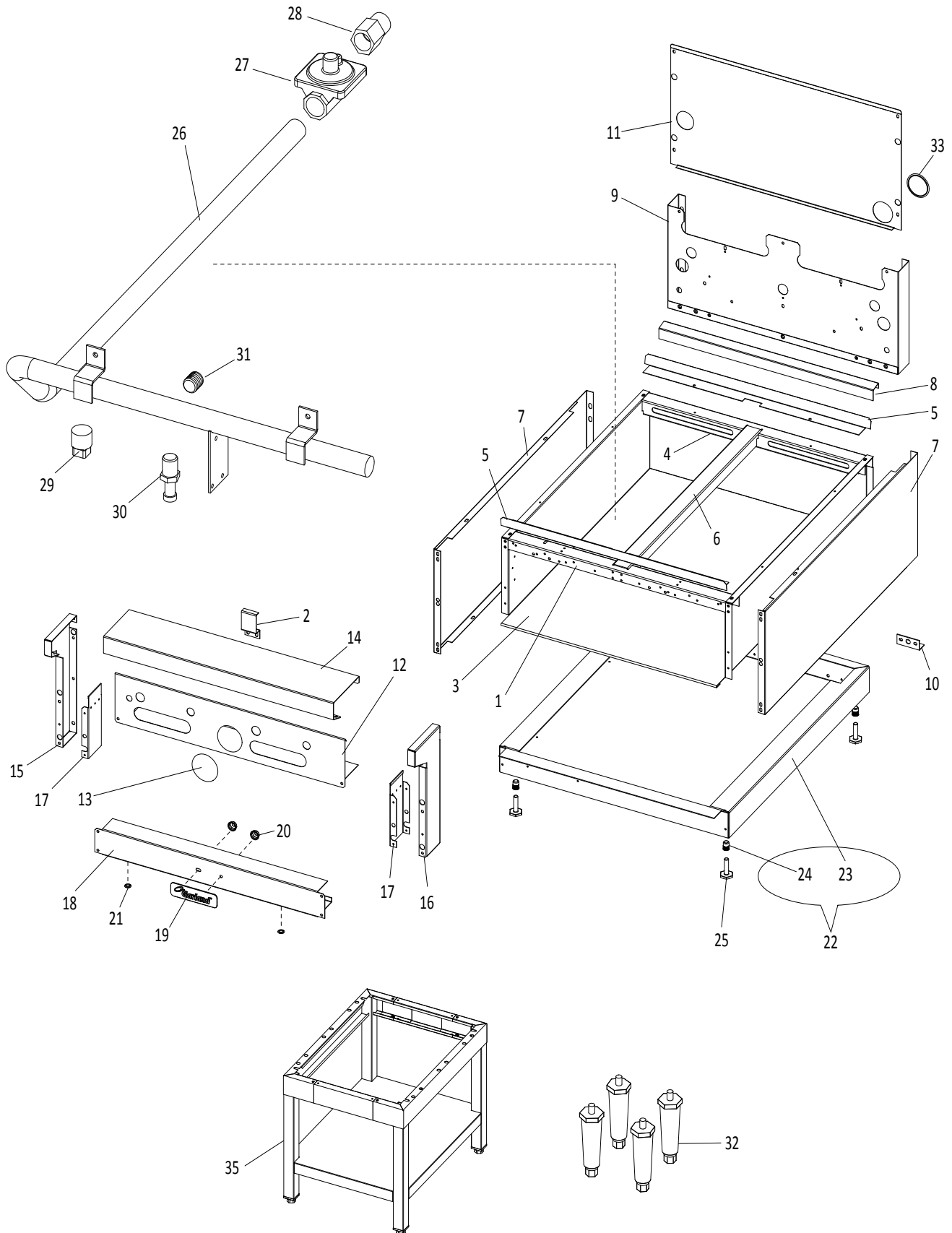
*models* **GF24-\_\_T, GF36-\_\_T**  
**(non-CE & CE versions)**

---

**Table of Contents**

Rating Plate Location / Model Code & Serial# Interpretation.....	5
Exterior and Manifold Components .....	6
Equipment Stands - 24"/36".....	9
Open Top Burners .....	10
Hot Top .....	12
Hi / Low Griddle Top .....	14
Thermostat Griddle Top.....	18
High Shelf & Low Profile Back Guard Components .....	21
Critical & Recommended Stock Parts List .....	22
Revision History .....	23

This parts list is updated regularly. Please find the most current revision  
on our website @ [www.Garland-Group.com](http://www.Garland-Group.com)



**GARLAND PARTS IDENTIFICATION**  
**GF Series Gas Modular Top Model (suffix "T")**  
*models GF24/36-\_\_T (non-CE & CE versions)*

**EXTERIOR AND MANIFOLD COMPONENTS**

ITEM	PART #	DESCRIPTION	QTY		CRITICAL
			24"	36"	
1	4523184	24" Main Channel Front	1		
	4523068	36" Main Channel Front		1	
2	4523194	Rail Support Bracket	1	1	
3	4522992	24" Burner Box	1		
	4522767	36" Burner Box		1	
4	4525529	24" Main Channel Rear	1		
	4525530	36" Main Channel Rear		1	
5	4523186	24" Drip Angle	2		
	4523069	36" Drip Angle		2	
6	4523087	Grate Support Rail <b>Note:</b> Quantities varies (VAR) with top configuration.	VAR	VAR	
7	4525203	Body Side Left/Right - T models	2	2	
8	4525578	24" Crumb Tray Stop T Models (Not required on full griddle units)	1		
	4525579	36" Crumb Tray Stop T Models (Not required on full griddle units)		1	
9	4525206	24" Main Back - T model	1		
	4525207	36" Main Back - T model		1	
10	4524387	Shipping Brackets	2	2	
11	4525225	24" Veneer Back - T Model (Optional)	1		
	4525226	36" Veneer Back - T Model (Optional)		1	
12	4524740	24" Valve Panel - Standard	1		
	4524738	24" Valve Panel - 12" Thermostat Griddle R/H Side	1		
	4524739	24" Valve Panel - 12" Thermostat Griddle L/H Side	1		
	4524741	24" Valve Panel - 24" Thermostat Griddle	1		
	4524419	36" Valve Panel - Standard		1	
	4524422	36" Valve Panel - 12" Thermostat Griddle R/H Side		1	
	4524421	36" Valve Panel - 12" Thermostat Griddle L/H Side		1	
	4525249	36" Valve Panel - 24" Thermostat Griddle R/H Side		1	
	4525251	36" Valve Panel - 24" Thermostat Griddle L/H Side		1	
4525253	36" Valve Panel - 36" Thermostat Griddle		1		
13	4523746	2.5" Steel Cap	1	1	
14	4523196	24" Plate Rail	1		
	4523072	36" Plate Rail		1	
15	4525201	Valve Panel End Cap Left - T Models	1	1	
16	4525200	Valve Panel End Cap Right - T Models	1	1	
17	4525202	Burner Box Filler - T Models	2	2	
18	4525204	24" Fascia T Models	1		
	4525205	36" Fascia T Models		1	
19	4529725	Garland Logo Small	1	1	
20	F640	Pal Nut	2	2	
21	1473301	1/2" Steel Cap (for units without equipment stands)	2	2	

\* NOT ILLUSTRATED

**RECOMMENDED STOCK PARTS**

**GARLAND PARTS IDENTIFICATION**  
**GF Series Gas Modular Top Model (suffix "T")**  
*models GF24/36-\_\_T (non-CE & CE versions)*

**EXTERIOR AND MANIFOLD COMPONENTS**

ITEM	PART #	DESCRIPTION	QTY		CRITICAL
			24"	36"	
22	4525210	24" Base Assembly - T Model	1		
	4525211	36" Base Assembly - T Model		1	
23	4525208	24" Base - T Model	1		
	4525209	36" Base - T Model		1	
24	F610	3/8"-16 Threaded Nut Insert	4	4	
25	F157	Leveling Bolt	4	4	
26	4522561	24" Manifold Assembly (without fittings)	1		
	4522562	36" Manifold Assembly (without fittings)		1	
	4527295	24" Manifold Assembly GF/GFE (Australia)	1		
	4527296	36" Manifold Assembly GF/GFE (Australia)		1	
27	<b>REGULATORS - US / Canada</b>				
	<b>2127502</b>	<b>Regulator - Natural Gas, 4.5" WC</b>	1	1	C
	<b>2127500</b>	<b>Regulator - Propane Gas, 10" WC</b>	1	1	C
	<b>REGULATORS - CE / Australia</b>				
	<b>4525047</b>	<b>Regulator - Natural Gas, 4.5" WC</b>	1	1	C
	<b>4525048</b>	<b>Regulator - Propane Gas, 10" WC</b>	1	1	C
28	<b>ADAPTOR - CE / Australia ONLY</b>				
	<b>4525088</b>	<b>Adaptor 3/4-14 NPT Female to 3/4-14 BSPT Male</b>	1	1	C
29	G01747-3	3/8" NPT Pipe Plug	1	1	
30	G02251-1	Pressure Test Spigot	1	1	
31	2203400	1/8" NPT Pipe Plug <b>Note:</b> Quantities varies (VAR) with top configuration.	VAR	VAR	
32	078109-2	4" Adjustable Legs (Optional)	4	4	
33	1473302	2" Steel Cap (for units with a veneer back)	1	1	
35		Equipment Stand Assembly - Optional (For details, see p. 24)			

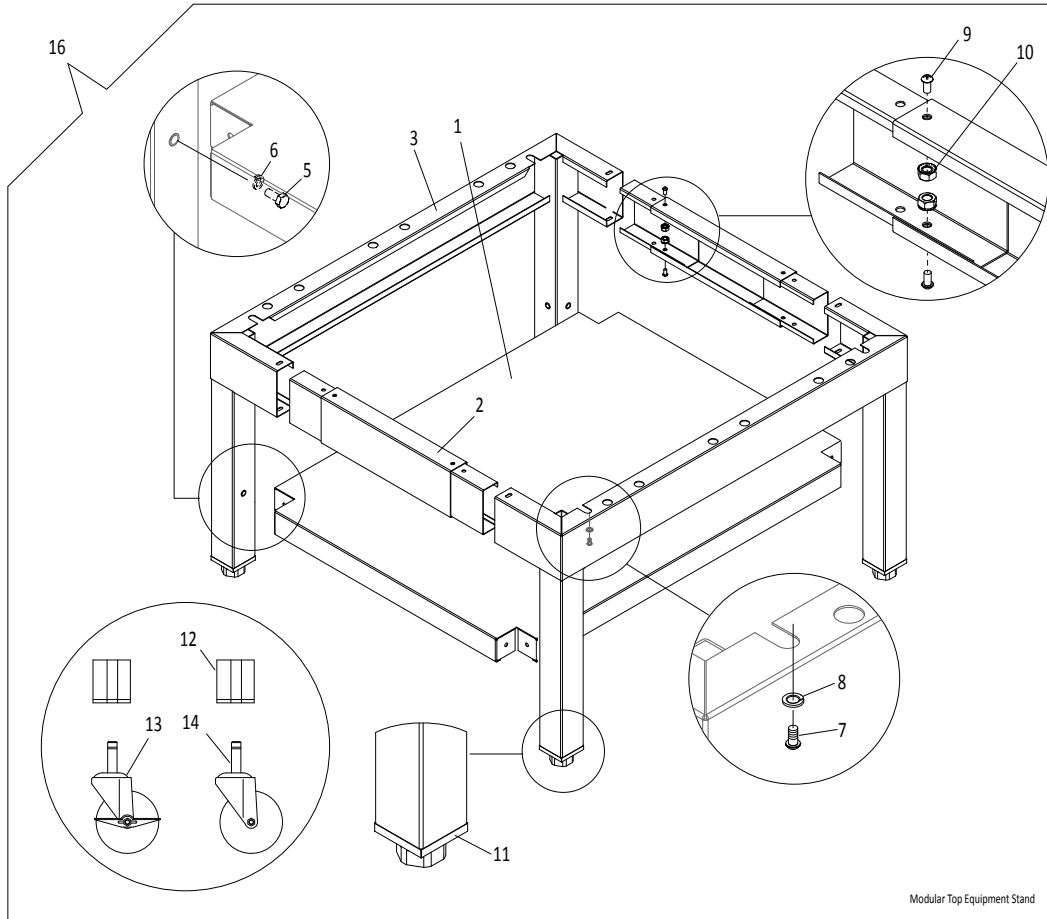
\* NOT ILLUSTRATED

**RECOMMENDED STOCK PARTS**

## GARLAND PARTS IDENTIFICATION

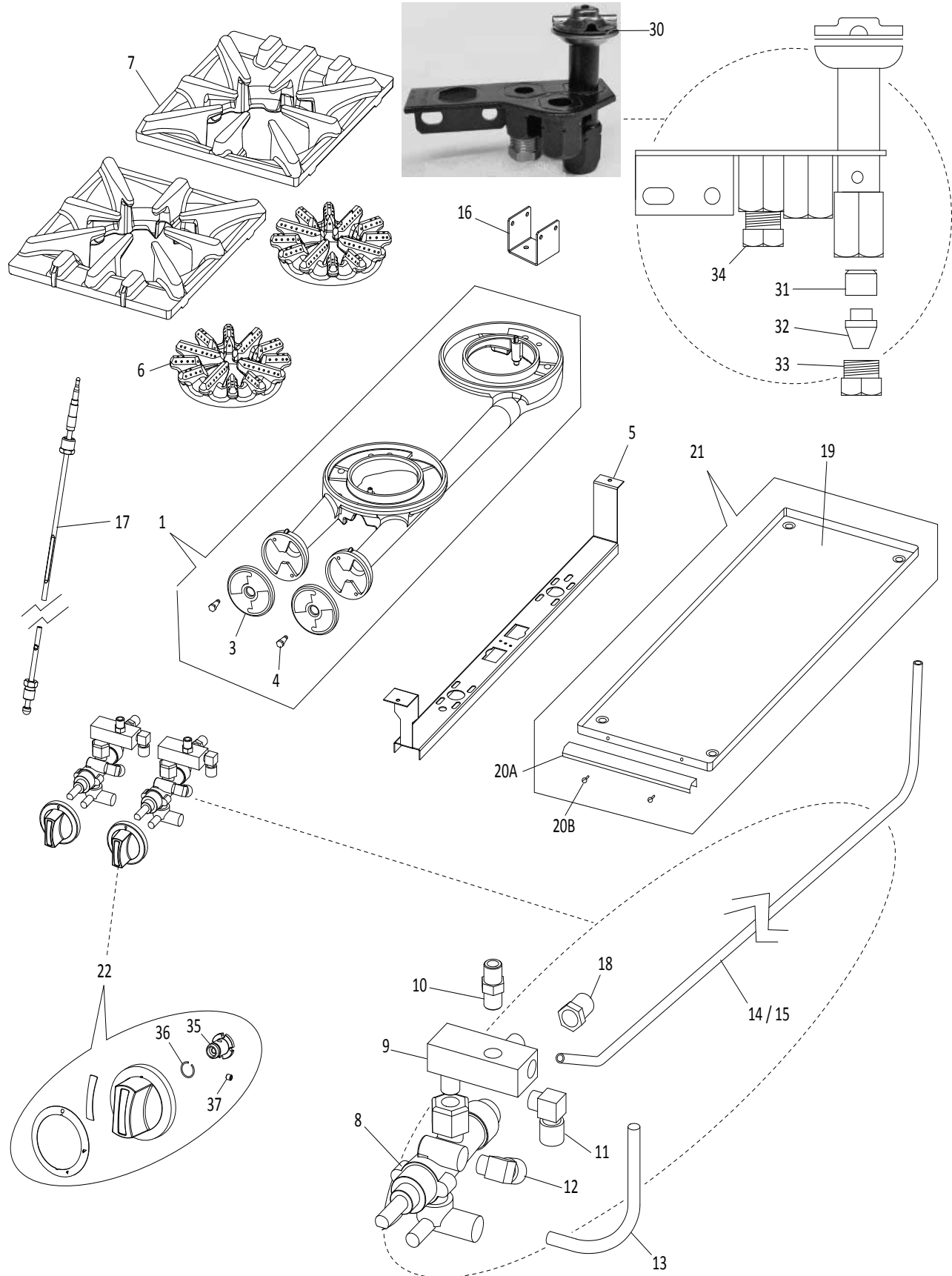
**GF Series Gas Modular Top Model (suffix "T") models GF24/36-\_\_T (non-CE & CE versions)**

### EQUIPMENT STANDS - 24"/36" (OPTIONAL)



ITEM	PART #	DESCRIPTION	QTY
1	4525222	Shelf - 24" Modular Top Stand	1
	4525223	Shelf - 36" Modular Top Stand	1
2	4525817	Front & Rear Sleeve Assembly - 24"	2
	4525818	Front & Rear Sleeve Assembly - 36"	2
3	4525839	Side Assembly - Modular Top Stand, <b>for Legs</b>	2
	4525840	Side Assembly - Modular Top Stand, <b>for Casters</b>	2
5	F191	Bolt, 1/4-20 x 5/8, Hex Head, SS	8
6	F255	Lockwasher, 1/4, SS, Split	8
7	F204	Bolt, 3/8-16 x 1, Hex Cap, SS	4
8	F256	Lockwasher, 3/8, SS, Split	4
9	F35	Screw, 10-24 x 3/8, Truss Head, Comb	8
10	F312	Nut, 10-24, K-Lock, Steel	8
11	G02954-1	2" Square Foot Insert	4
12	3018901	2" Plastic Square Insert for Caster	4
13	3018800	NSF Caster With Brake	2
14	3018801	NSF Caster Without Brake	2
15*	4525312	Stand Assembly Instructions	1
16	A4525318	24" Stand Assembly with Shelf on Legs	
	A4525319	24" Stand Assembly with Shelf on Casters	
	A4526322	36" Stand Assembly with Shelf on Legs	
	A4525323	36" Stand Assembly with Shelf on Casters	

\* NOT ILLUSTRATED





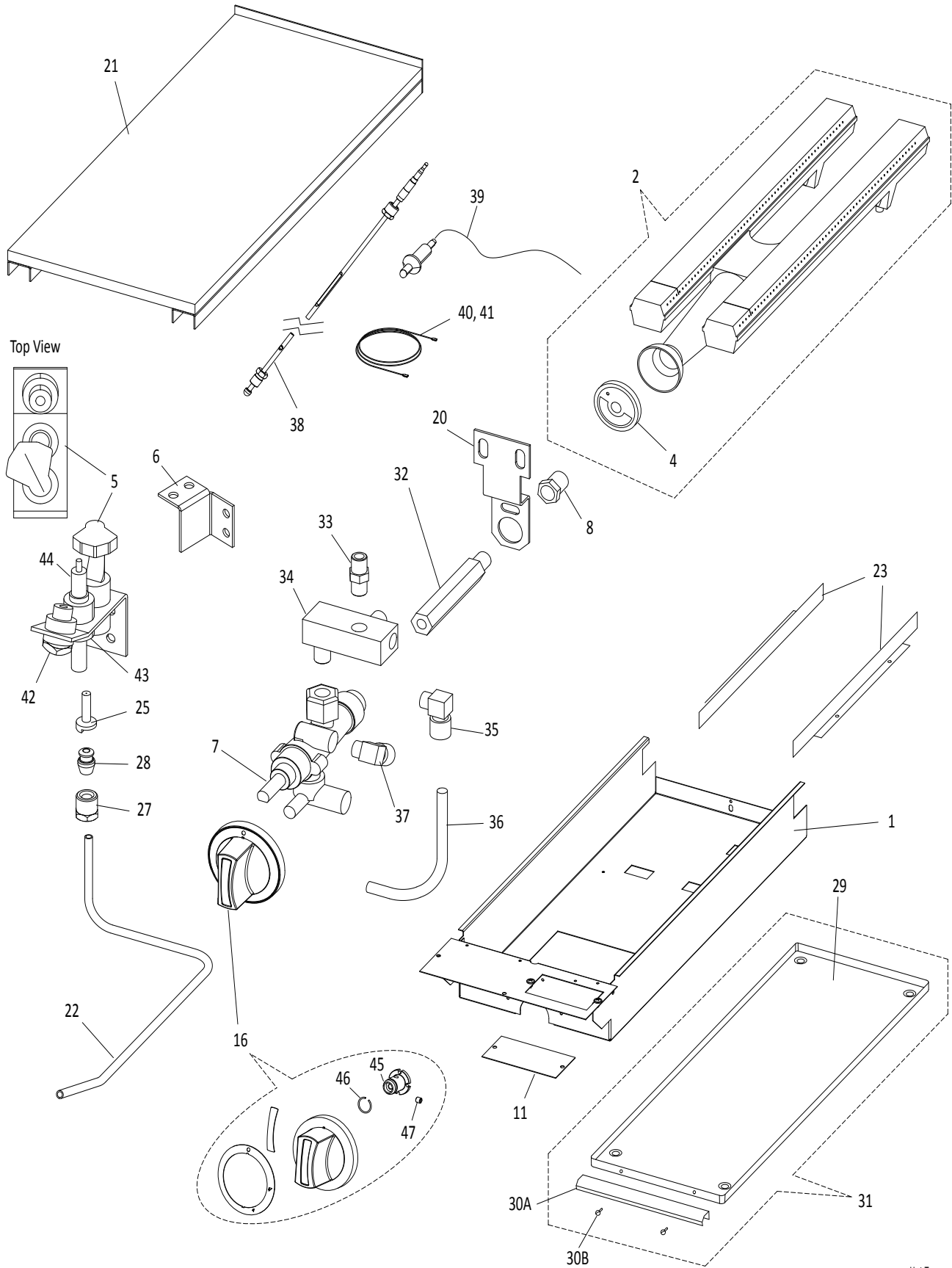
**GARLAND PARTS IDENTIFICATION**  
**GF Series Gas Modular Top Model (suffix "T")**  
*models GF24/36-\_\_T (non-CE & CE versions)*

**OPEN TOP BURNERS**

ITEM	PART #	DESCRIPTION	QTY		CRITICAL
			24"	36"	
1	4522264	Dual Venturi Housing Base Assembly	2	3	
3	4522266	Air Shutter - Open Top	4	6	
4	F43	10-24 x 3/8" Hex Washer Head Screw	4	6	
5	4524584	Open Top Burner Rest - Flame Failure	2	3	
6	4522270	Star Burner Head - Garland	4	6	
7	4523696	Garland Top Grate	4	6	
8	<b>2200194</b>	<b>Flame Failure Valve Assembly</b>	4	6	C
9	4524371	Flame Failure Valve Mounting Block	4	6	
10	4524442	1/8" NPT Hex Pipe Nipple	4	6	
11	076050-80	Elbow Comp. 1/4T x 1/8P	4	6	
12	G03674-2	Valve - Pilot 3/16" 90 deg.	4	6	
13	4523158	.250 Tubing - FF Valve	4	6	
14	4523444	Open Top Tubing for Front Burner- FF	4	6	
15	4523445	Open Top Tubing for Rear Burner- FF	4	6	
16	4523288	FF - Sit Pilot Saddle	4	6	
17	<b>4523505</b>	<b>18" Thermocouple - Sit 0290084</b>	4	6	C
18	<b>non-CE and CE Export</b>				
	<b>M8-2.6MM</b>	<b>Open Top Orifice Natural Gas #2.6mm (G20)</b>	4	6	C
	<b>M8-52</b>	<b>Open Top Orifice Propane Gas #52 (G31)</b>	4	6	C
	<b>M8-37</b>	<b>Open Top Orifice Natural Gas #37 (G20) - Australia</b>	4	6	C
	<b>M8-53</b>	<b>Open Top Orifice Propane Gas #53 (G31) - Australia</b>	4	6	C
19	4522401	Crumb Tray	2	3	
20A	4522402	Crumb Tray Trim	2	3	
20B	F554	Rivet .125"dia, SS	4	6	
21	CK4523334	Crumb Tray Assembly	2	3	
22	<b>CK4527470</b>	<b>Knob Assembly Kit</b>	4	6	C
30	<b>2520800</b>	<b>Open Burner Pilot - FF</b>	4	6	C
31	<b>2520801</b>	<b>Orifice Pilot 51 (Natural)</b>	4	6	C
	<b>2520802</b>	<b>Orifice Pilot 30 (Propane)</b>	4	6	C
32	<b>2520804</b>	<b>Sleeve 3/16" COMP #0.957.025</b>	4	6	C
33	<b>2200704</b>	<b>3/16" Compression Nut</b>	4	6	C
34	<b>2200706</b>	<b>Nut Thermo Retaining</b>	4	6	C
35	3043202	Hub	4	6	
36	3043300	Spring Retainer	4	6	
37	F561	10-32 x 3/16 Socket Head Screw	4	6	

\* NOT ILLUSTRATED

**RECOMMENDED STOCK PARTS**



Hot Top

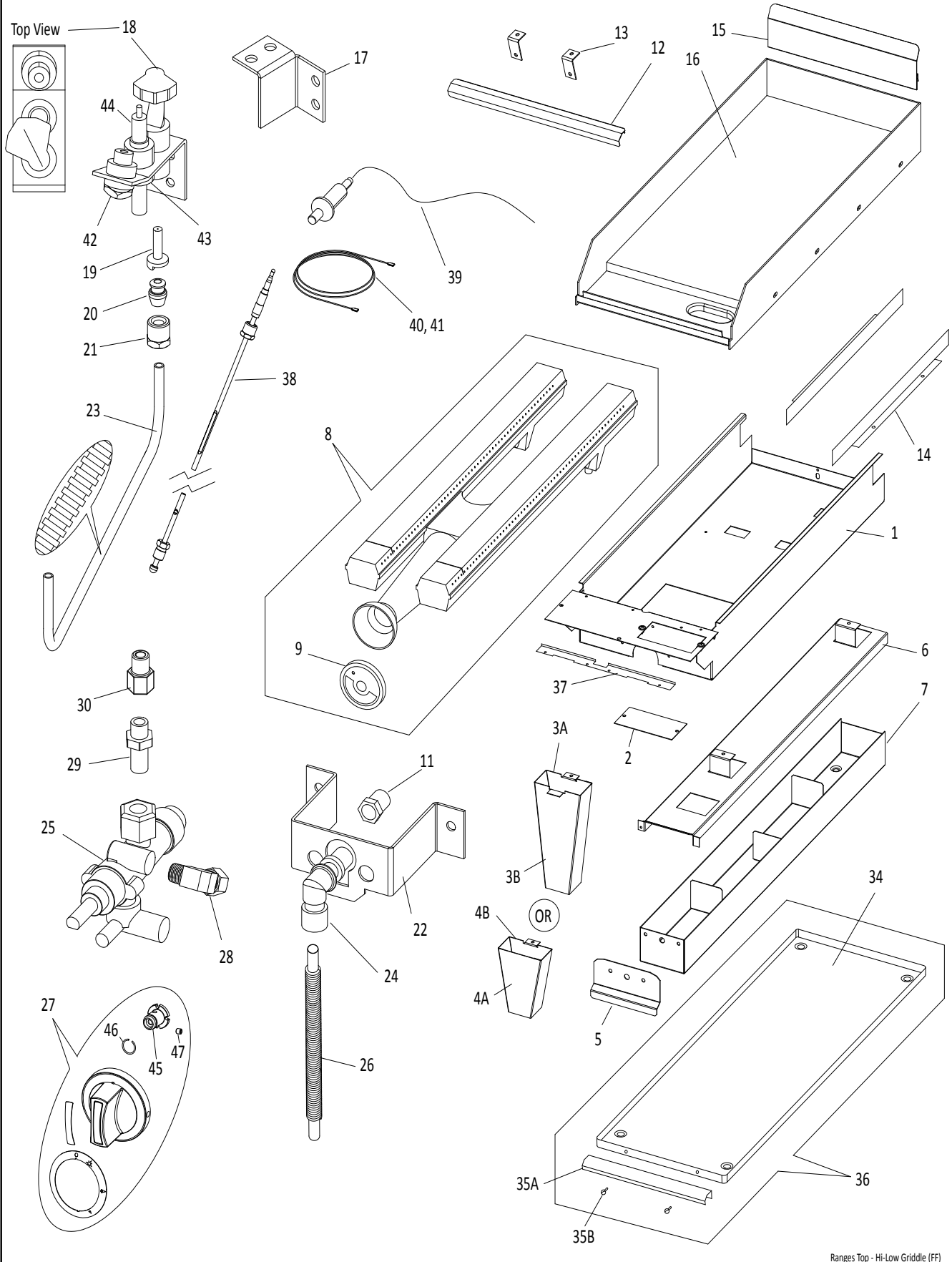
**GARLAND PARTS IDENTIFICATION**  
**GF Series Gas Modular Top Model (suffix "T")**  
*models GF24/36-\_\_T (non-CE & CE versions)*

**HOT TOP**

ITEM	PART #	DESCRIPTION	QTY		CRITICAL
			GF24	GF36	
1	4525514	Hot Top / Griddle Burner Box	2	3	
2	4525463	H-Burner W/Shutter Assembly (Partially Ported) <b>Note:</b> Assembly includes a cast iron H-burner (p/n 1014901) and an air shutter.	2	3	
4	1028002	Air Shutter - Hot Top / Griddle	2	3	
5	<b>2200701</b>	<b>Pilot Left #0.145.007</b>	2	3	C
6	4525503	Sit Pilot Bracket - HT/Griddle	2	3	
7	<b>2200194</b>	<b>Flame Failure Valve Assembly</b>	2	3	C
8	<b>non-CE and CE Export</b>				
	<b>M8-46</b>	<b>Hot Top Orifice Natural Gas #46 (G20)</b>	2	3	C
	<b>M8-1.3MM</b>	<b>Hot Top Orifice Propane Gas #1.3mm (G31)</b>	2	3	C
	<b>M8-47</b>	<b>Hot Top Orifice Small - Natural Gas #47 (G20) - Australia</b>	2	3	C
	<b>M8-1.2MM</b>	<b>Hot Top Orifice Small - Propane Gas #1.2mm (G31) - Australia</b>	2	3	C
11	4524158	Griddle / Hot Top Box Patch	2	3	
16	<b>CK4527470</b>	<b>Knob Assembly Kit</b>	2	3	C
20	4523483	HT Valve Extension Support Bracket	2	3	
21	4523148	Hot Top 12" Assembly	2	3	
22	4525485	FF - Hot Top Pilot Tubing	2	3	
23	4525515	Burner Side Deflector	4	6	
25	<b>2200702</b>	<b>Pilot Orifice #32 (Natural)</b>	2	3	C
	<b>2200703</b>	<b>Pilot Orifice #23 (Propane)</b>	2	3	C
27	2200704	3/16" Compression Nut - Oven Pilot	2	3	
28	2200705	3/16" Ferrule - Oven Pilot	2	3	
29	4522401	Crumb Tray	2	3	
30A	4522402	Crumb Tray Trim	2	3	
30B	F554	Rivet .125 in dia SS	4	6	
31	CK4523334	Crumb Tray Assembly	2	3	
32	2706802	Valve Extension 3.250"	2	3	
33	4524442	1/8 NPT Hex Pipe Nipple Versa No 122-A	2	3	
34	4524371	FF Valve Mounting Block	2	3	
35	076050-80	Elbow Compression 1/4T x 1/8P #69-4A	2	3	
36	4523158	.250" Tubing - FF Valve Inlet	2	3	
37	G03674-2	Valve Pilot 3/16" Angle 90deg	2	3	
38	<b>4523505</b>	<b>Thermocouple 18" (SIT 0290084)</b>	2	3	C
39	<b>1309201</b>	<b>Piezo Igniter #1244-41</b>	2	3	C
40	<b>CK2200211</b>	<b>12" High Tension Wire</b>	2	3	C
41	G03883R	Thermo Flex Insulating Sleeve (12" for each electrode)			
42	<b>2200706</b>	<b>Thermocouple Retaining Nut</b>	2	3	C
43	<b>2200707</b>	<b>Nut Electro</b>	2	3	C
44	<b>2200708</b>	<b>Electro</b>	2	3	C
45	3043202	Hub	2	3	
46	3043300	Spring Retainer	2	3	
47	F561	10-32 x 3/16 Socket Head Screw	2	3	

\* NOT ILLUSTRATED

**RECOMMENDED STOCK PARTS**



**GARLAND PARTS IDENTIFICATION**  
**GF Series Gas Modular Top Model (suffix "T")**  
*models GF24/36-\_\_T (non-CE & CE versions)*

**HI / LOW GRIDDLE TOP**

ITEM	PART #	DESCRIPTION	QTY				CRITICAL
			12" GRIDDLE	24" GRIDDLE	36" GRIDDLE (RIGHT)	36" GRIDDLE (LEFT)	
1	4525514	Griddle / Hot Top Burner Box	1	2	3	3	
2	4524158	Griddle / Hot Box Patch		1	2	2	
3A	4524326	12" Chute Rear Plate	1				
3B	4524325	12" Grease Chute Funnel	1				
4A	4523219	Grease Chute Rear Plate		1	1	1	
4B	4523218	Grease Chute Funnel		1	1	1	
5	4523217	Grease Drawer Handle		1	1	1	
6	4523221	Grease Drawer Shield		1	1	1	
7	4523493	Grease Drawer Assembly		1	1	1	
8	4525463	H-Burner W/Shutter Assembly (Partially Ported) <b>Note:</b> Assembly includes a cast iron H-burner (p/n 1014901) and an air shutter.	1	2	3	3	
9	1028002	Air Shutter - Hot Top / Griddle	1	2	3	3	
11	<b>non-CE and CE Export</b>						
	<b>M8-46</b>	<b>Griddle Orifice Natural Gas #46 (G20)</b>	1	2	3	3	C
	<b>M8-1.3MM</b>	<b>Griddle Orifice Propane Gas #1.3mm (G31)</b>	1	2	3	3	C
	<b>M8-47</b>	<b>Griddle Orifice Small - Natural Gas #47 (G20) - Australia</b>	1	2	3	3	C
	<b>M8-1.2MM</b>	<b>Griddle Orifice Small - Propane Gas #1.2mm (G31) - Australia</b>	1	2	3	3	C
12	4524416	False Trim 6" (For 60" Units with 48" Griddle Left)					
	4524414	False Trim 12" (For 48" Units with 36" Griddle Left / 60" Units with 48" Griddle Left.)					
	4523552	False Trim 16"		1		1	
	4523690	False Trim 17" (For 36" Units with 24" Griddle Right)					
	4524412	False Trim 18"					
	4523528	False Trim 28" (For 36" Units with 36" Griddle / 60" Units with 60" Griddle / 60" Unit with 36" Griddle Left )"			1	1	
	4523516	False Trim 29" (For 48" & 60" Range Models with 36" Griddles Right)			1		
13	4523519	False Trim Bracket		2	2	2	
14	4525515	Burner Side Deflector	2	4	6	6	
15	4523418	Rear Griddle Splash Guard - 12"	1				
	4523419	Rear Griddle Splash Guard - 24"		1			
	4523420	Rear Griddle Splash Guard - 36"			1	1	

\* NOT ILLUSTRATED

**RECOMMENDED STOCK PARTS**

**GARLAND PARTS IDENTIFICATION**  
**GF Series Gas Modular Top Model (suffix "T")**  
*models GF24/36-\_\_T (non-CE & CE versions)*

**HI / LOW GRIDDLE TOP**

ITEM	PART #	DESCRIPTION	QTY				CRITICAL
			12" GRIDDLE	24" GRIDDLE	36" GRIDDLE (RIGHT)	36" GRIDDLE (LEFT)	
16	4523235	12" Griddle Assembly	1				
	4523234	24" Griddle Assembly		1			
	4523781	24" Griddle Assembly (Fully Grooved)		1			
	4523782	24" Griddle Assembly (Right Grooved)		1			
	4523783	24" Griddle Assembly (Left Grooved)		1			
	4523931	36" Griddle Assembly - Middle Chute (For 48" unit with 36" Griddle on Left)				1	
	4523932	36" Griddle Assembly - Middle Chute - Fully Grooved (For 48" unit with 36" Griddle on Left)				1	
	4523933	36" Griddle Assembly - Middle Chute - Right Grooved (For 48" unit with 36" Griddle on Left)				1	
	4523934	36" Griddle Assembly - Middle Chute - Left Grooved (For 48" unit with 36" Griddle on Left)				1	
	4523236	36" Griddle Assembly			1	1	
	4523784	36" Griddle Assembly (Fully Grooved)			1	1	
	4523785	36" Griddle Assembly (Right Grooved)			1	1	
4523786	36" Griddle Assembly (Left Grooved)			1	1		
17	4525503	Sit Pilot Bracket	1	2	3	3	
18	<b>2200701</b>	<b>Pilot Left #0.145.007</b>	1	2	3	3	C
19	<b>2200702</b>	<b>Pilot Orifice #32 (Natural)</b>	1	2	3	3	C
	<b>2200703</b>	<b>Pilot Orifice #23 (Propane)</b>	1	2	3	3	C
	<b>2200709</b>	<b>Pilot Orifice #40 (Manufactured Gas)</b>	1	2	3	3	C
20	<b>2200705</b>	<b>3/16" Ferrule - Pilot</b>	1	2	3	3	
21	<b>2200704</b>	<b>3/16" Compression Nut - Pilot</b>	1	2	3	3	
22	4527389	Orifice Bracket FF Std Grid	1	2	3	3	
23	4525333	3/16 SS Flex Tube 13 Long	1	2	3	3	
24	<b>G02486XX</b>	<b>Orifice Fitting</b>	1	2	3	3	C
25	<b>2200194</b>	<b>Flame Failure Valve Assembly</b>	1	2	3	3	C
26	<b>IMPORTANT:</b> Production switched from 12" Flex Tubing to 6" as of 22-JAN-2010 because the 6" version is sufficient.						
	4521446	1/4" Flex Tubing 12" Long (Valve to Orifice Fitting) <b>NOTE:</b> Used UP TO 21-JAN-2010.	1	2	3	3	
	4525331	1/4 S/S Flex Tubing 6" Long (Valve to Orifice Fitting) <b>NOTE:</b> Used From 22-JAN-2010	1	2	3	3	
27	<b>CK4527470</b>	<b>Knob Assembly Kit</b>	1	2	3	3	C
28	G03674-2	Valve Pilot 3/16" 90deg	1	2	3	3	
29	2198102	10mm Valve Connector	1	2	3	3	
30	1086000	1/8"NPT Adapter	1	2	3	3	
34	4522401	Crumb Tray	1				

\* NOT ILLUSTRATED

**RECOMMENDED STOCK PARTS**

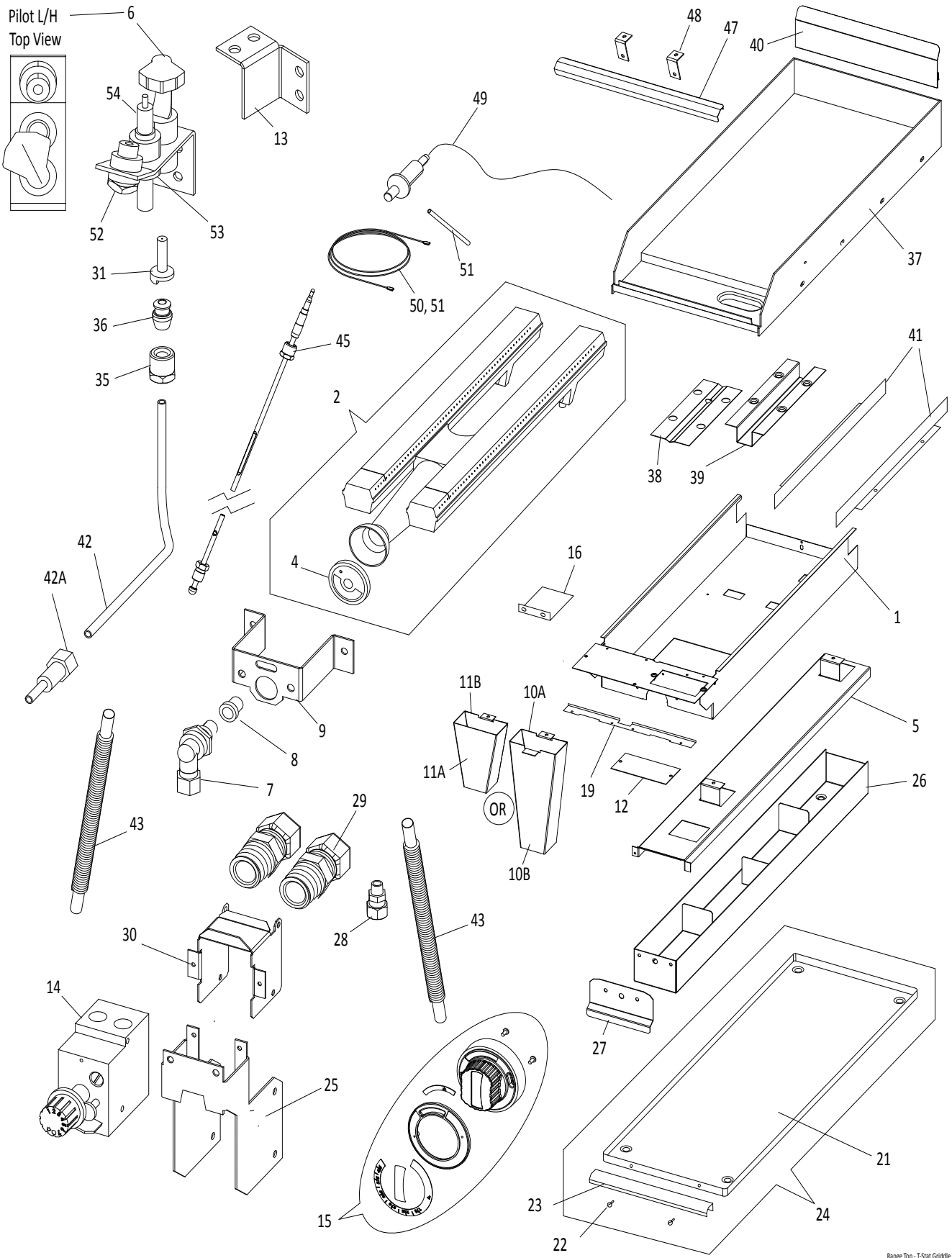
**GARLAND PARTS IDENTIFICATION**  
**GF Series Gas Modular Top Model (suffix "T")**  
*models GF24/36-\_\_T (non-CE & CE versions)*

**HI / LOW GRIDDLE TOP**

ITEM	PART #	DESCRIPTION	QTY				CRITICAL
			12" GRIDDLE	24" GRIDDLE	36" GRIDDLE (RIGHT)	36" GRIDDLE (LEFT)	
35A	4522402	Crumb Tray Trim	1				
35B	F554	Rivet .125" dia SS	2				
36	CK4523334	Crumb Tray Assembly	1				
37	4525512	Griddle Box Heat Shield	1	2	3	3	
38	<b>4523505</b>	<b>Thermocouple 18" (SIT 0290084)</b>	1	2	3	3	C
39	<b>1309201</b>	<b>Piezo Igniter #1244-41</b>	1	2	3	3	C
40	<b>CK2200211</b>	<b>12" High Tension Wire</b>	1	2	3	3	C
41	G03883R	Thermo Flex Insulating Sleeve (use 12" for each electrode)					
42	<b>2200706</b>	<b>Thermocouple Retaining Nut</b>	1	2	3	3	C
43	<b>2200707</b>	<b>Nut Electro</b>	1	2	3	3	C
44	<b>2200708</b>	<b>Electro</b>	1	2	3	3	C
45	3043202	Hub	1	2	3	3	
46	3043300	Spring Retainer	1	2	3	3	
47	F561	10-32 x 3/16 Socket Head Screw	1	2	3	3	

\* NOT ILLUSTRATED

**RECOMMENDED STOCK PARTS**



Range Top - 1 Stat Griddle



**GARLAND PARTS IDENTIFICATION**  
**GF Series Gas Modular Top Model (suffix "T")**  
*models GF24/36-\_\_T (non-CE & CE versions)*

**THERMOSTAT GRIDDLE TOP**

ITEM	PART #	DESCRIPTION	QTY			CRITICAL
			12" GRIDDLE	24" GRIDDLE	36" GRIDDLE (RIGHT)	
1	4525514	Griddle / Hot Top Burner Box	1	2	3	
2	4525463	H-Burner W/Shutter Assembly (Partially Ported) <b>Note:</b> Assembly includes a cast iron H-burner (p/n 1014901) and an air shutter.	1	2	3	
4	1028002	Air Shutter - Hot Top / Griddle	1	2	3	
5	4525294	Grease Drawer Shield		1	1	
6	<b>2200701</b>	<b>Pilot Left #0.145.007</b>	1	2	3	C
7	2431900	Orifice Fitting (Orifice Hood Not Included)	1	2	3	
8	<b>non-CE and CE Export</b>					
	<b>M8-47</b>	<b>Griddle Orifice Small - Natural Gas #47 (G20) - includes Australia</b>	1	2	3	C
	<b>M8-1.3MM</b>	<b>Griddle Orifice Small - Propane Gas #1.3mm (G31)</b>	1	2	3	C
	<b>M8-1.2MM</b>	<b>Griddle Orifice Small - Propane Gas #1.2mm (G31)- Australia</b>	1	2	3	C
9	4523212	Thermostat Griddle Orifice Bracket	1	2	3	
10A	4524326	12" Chute Rear Plate	1			
10B	4524325	12" Grease Chute Funnel	1			
11A	4523219	Grease Chute Rear		1	1	
11B	4523218	Grease Chute Funnel		1	1	
12	4524158	Griddle / Hot Box Patch		1	2	
13	4525503	Sit Pilot Bracket	1	2	3	
14	4523007	Sit Thermostat Griddle Control <b>Note:</b> Use 4525399 - Thermostat Griddle SIT Assembly	1	2	3	
14A	<b>4525399</b>	<b>Thermostat Griddle Sit Assembly</b> <b>Note:</b> Assembly includes a SIT control (item 14), a capillary shield (item 16), an insulating sleeve (item 32), fasteners, and instructions.	1	2	3	C
15	<b>4526698</b>	<b>T-stat Griddle Knob Assembly, Deg F - GF/GFE Series</b>	1	2	3	C
	<b>4526697</b>	<b>T-stat Griddle Knob Assembly, Deg C - GF/GFE Series</b>	1	2	3	C
16	4524358	Capillary Shield	1	2	3	
19	4525512	Griddle Box Heat Shield	1	2	3	
21	4522401	Crumb Tray	1			
22	F554	Rivet .125" Dia. SS	2			
23	4522402	Crumb Tray Trim	1			
24	CK4523334	Crumb Tray Assembly	1			
25	4524546	EuroSIT Mounting Bracket (FF)	1	2	3	
26	4523493	Grease Drawer Assembly		1	1	
27	4523217	Grease Drawer Handle		1	1	
28	4523064	Comp. Fitting 3/8T x 1/8P	1	2	3	
29	4525531	Male 3/8"T x 3/8" P Straight Con.Versa 68-6C	2	4	6	

\* NOT ILLUSTRATED

**RECOMMENDED STOCK PARTS**

**GARLAND PARTS IDENTIFICATION**  
**GF Series Gas Modular Top Model (suffix "T")**  
*models GF24/36-\_\_T (non-CE & CE versions)*

**THERMOSTAT GRIDDLE TOP**

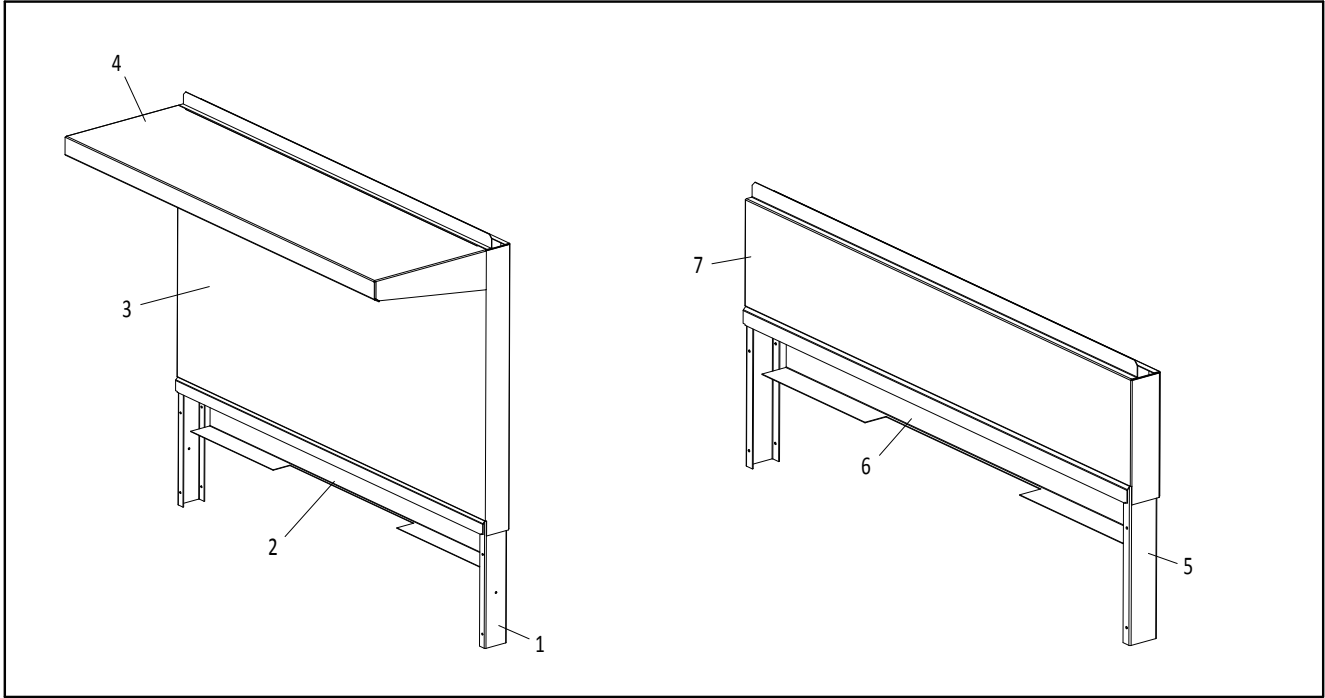
ITEM	PART #	DESCRIPTION	QTY			CRITICAL
			12" GRIDDLE	24" GRIDDLE	36" GRIDDLE (RIGHT)	
30	4523081	SIT Shield Mount	1	2	3	
31	<b>2200702</b>	<b>Pilot Orifice #32 (Natural)</b>	1	2	3	C
	<b>2200703</b>	<b>Pilot Orifice #23 (Propane)</b>	1	2	3	C
	<b>2200709</b>	<b>Pilot Orifice #40 Manufactured Gas</b>	1	2	3	C
35	<b>2200704</b>	<b>3/16" Compression Nut - Oven Pilot</b>	1	2	3	
36	<b>2200705</b>	<b>3/16" Ferrule - Oven Pilot</b>	1	2	3	
37	4523235	12" Griddle Assembly	1			
	4523234	24" Griddle Assembly		1		
	4523781	24" Griddle Assembly (Fully Grooved)		1		
	4523782	24" Griddle Assembly (Right Grooved)		1		
	4523783	24" Griddle Assembly (Left Grooved)		1		
	4523236	36" Griddle Assembly			1	
	4523784	36" Griddle Assembly (Fully Grooved)			1	
	4523785	36" Griddle Assembly (Right Grooved)			1	
4523786	36" Griddle Assembly (Left Grooved)			1		
38	4523245	Thermostat Bulb Clamp	1	2	3	
39	4523246	Thermostat Bulb Shield	1	2	3	
40	4523418	Rear Griddle Splash Guard - 12"	1			
	4523419	Rear Griddle Splash Guard - 24"		1		
	4523420	Rear Griddle Splash Guard - 36"			1	
41	4525515	Burner Side Deflector / Baffle	2	4	6	
42	4524547	3/16 Pilot Tubing - SIT to Pilot - Flame Failure	1	2	3	
42A	4527220	SIT Pilot Tube Connector	1	2	3	
43	4523409	3/8 x 10" long Flex Tubing - TH Griddle	2	4	6	
45	<b>4523505</b>	<b>Thermocouple SIT - 18" Long</b>	1	2	3	C
47	4523690	False Trim 17" (For 36" Units with 24" Griddle Right)			1	
	4524412	False Trim 18"				
	4523528	False Trim 28" (For 36" Units with 36" Griddle)			1	
48	4523519	False Trim Bracket		2	2	
49	<b>1309201</b>	<b>Piezo Igniter</b>	1	2	3	C
50	<b>CK2200211</b>	<b>12" High Tension Wire Leads</b>	1	2	3	C
51	G03883R	Thermoflex Insulating Sleeve (sold by the foot) - Require 12" for item 47, and 22" for Griddle Thermostat Capillary.	1	2	3	
52	<b>2200706</b>	<b>Thermocouple Retaining Nut</b>	1	2	3	C
53	<b>2200707</b>	<b>Nut Electro</b>	1	2	3	C
54	<b>2200708</b>	<b>Electro</b>	1	2	3	C

\* NOT ILLUSTRATED

**RECOMMENDED STOCK PARTS**

**GARLAND PARTS IDENTIFICATION**  
**GF Series Gas Modular Top Model (suffix "T")**  
*models GF24/36-\_\_T (non-CE & CE versions)*

**HIGH SHELF & LOW PROFILE BACK GUARD COMPONENTS**



ITEM	PART #	DESCRIPTION	QTY
<b>High Shelf (HS) Components</b>			
1	4523112	High Shelf Upright (Vertical Side Channel)	2
2	4523267	24" HS Back Panel	1
	4524105	24" HS Back Panel - S/S	1
	4523111	36" HS Back Panel	1
	4523312	36" HS Back Panel - S/S	1
3	4523289	24" HS Front Panel	1
	4523110	36" HS Front Panel	1
	4523291	48" HS Front Panel	1
4	4523264	60" HS Front Panel	1
	4523293	24" Shelf	1
	4523113	36" Shelf	1
<b>9" Low Profile Back Guard (LPBG) Components</b>			
5	4525520	9" LPBG Upright (Vertical Side Channel)	2
6	4525521	24" LPBG Back Panel	1
	4525522	24" LPBG Back Panel - S/S	1
	4525523	36" LPBG Back Panel	1
	4525524	36" LPBG Back Panel - S/S	1
7	4525516	24" LPBG Front Panel	1
	4525517	36" LPBG Front Panel	1

**GARLAND PARTS IDENTIFICATION**  
**GF Series Gas Modular Top Model (suffix "T")**  
*models GF24/36-\_\_T (non-CE & CE versions)*

**CRITICAL & RECOMMENDED STOCK PARTS LIST**

<b>PART#</b>	<b>DESCRIPTION</b>
1309201	Piezo Igniter #1244-41
2127500	Regulator - Propane Gas, 10" WC (non-CE)
2127502	Regulator - Natural Gas, 4.5" WC (non-CE)
2200194	Flame Failure Valve Assembly
2200701	Pilot Left #0.145.007
2200702	Pilot Orifice #32 Natural Gas
2200703	Pilot Orifice #23 Propane Gas
2200704	3/16" Compression Nut
2200706	Nut Thermo Retaining
2200707	Nut Electro
2200708	Electro
2520800	Open Burner Pilot - FF
2520801	Orifice Pilot 51 (Natural)
2520802	Orifice Pilot 30 (Propane)
2520804	Sleeve 3/16"COMP #0.957.025
4523007	Sit Thermostat Griddle Control
4523505	Thermocouple SIT - 18" Long
4525047	Regulator - Natural Gas, 4.5" WC (CE)
4525048	Regulator - Propane Gas, 10" WC (CE)
4525088	Adpator 3/4-14 NPT Female to 3/4-14 BSPT Male (CE, Australia)
4525503	Sit Pilot Bracket - HT/Griddle
4526697	T-stat Griddle Knob Assembly, Deg C - GF/GFE Series
4526698	T-stat Griddle Knob Assembly, Deg F - GF/GFE Series
CK2200211	12" High Tension Wire Leads
CK4527470	Knob Assembly Kit
G02486XX	Orifice Fitting
M8-1.2MM	Griddle / Hot Top Orifice Small - Propane Gas #1.2mm (G31) - Australia
M8-1.3MM	Griddle / Hot Top Orifice Small - Propane Gas #1.3mm (G31) - non-CE & CE Export
M8-2.6MM	Open Top Orifice Natural Gas #2.6mm (G20) - non-CE & CE Export
M8-37	Open Top Orifice Natural Gas #37 (G20) - Australia
M8-46	Griddle / Hot Top Orifice Natural Gas #46 (G20) - non-CE & CE Export
M8-47	Griddle / Hot Top Orifice Small - Natural Gas #47 (G20) - Australia, non-CE & CE Export
M8-52	Open Top Orifice Propane Gas #52 (G31)- non-CE & CE Export
M8-53	Open Top Orifice Propane Gas #53 (G31) - Australia

## Revision History (GF Series Modular Top GF24/36-\_\_T)

REV	PAGE	ITEM#	NOTES	DATE
0			Part List Released - GF - "T" Modular Models	SEP 23/09
1			Updated the "Table of Contents"	JUN 3/10
	18-21		New model added - Hi/Low Griddle Top	
	22-23		High shelf option added	
2	7	19, 20	Garland Logo Plate & fasteners changed - 4529725 & F640 replaced 4523154 and F95.	NOV 9/11
	11	2	Removed Dual Venturi Housing 4522265 as Not Sold Separately.	
	11, 13, 27	22, 16, 27	New Knob Assembly CK4527470 replaced 4526695	
	24-25		Combined Equipment Stands 24" & 36" pages from Rev 1 into a single section.	
	13, 16, 21	42-44, 50-52, 42-44	Hot Top, T-stat Griddle, Hi/Low: Added parts 2200706 / 2200707 / 2200708	
	4-5, 26		Added introductory info and critical parts list.	
	16	42	T-Stat Griddle: Added SIT to Pilot Tubing FF 4524547, which replaced Tubing 4525535.	DEC 10/12
3			Added rating plate location.	
			H-Burner 4525463: Removed P/N 1014901 from parts list as it is a component of 4525463—not sold separately.	
	8, 10, 12, 16	35-37	Added part numbers. Can be purchased separately.	
	18	37	Removed P/N 4523931, 4523932, 4523933, 4523934 as these are for 48" unit.	
	16	25	Corrected illustration.	

 **Garland**<sup>®</sup>

---