



INSTALLATION AND OPERATION MANUAL

GARLAND G SERIES INFRA-RED SALAMANDER BROILERS



Français Page 17
Español Página 33

FOR YOUR SAFETY:
DO NOT STORE OR USE GASOLINE OR OTHER FLAMMABLE VAPORS OR LIQUIDS IN THE VICINITY OF THIS OR ANY OTHER APPLIANCE

WARNING:
IMPROPER INSTALLATION, ADJUSTMENT, ALTERATION, SERVICE OR MAINTENANCE CAN CAUSE PROPERTY DAMAGE, INJURY, OR DEATH. READ THE INSTALLATION, OPERATING AND MAINTENANCE INSTRUCTIONS THOROUGHLY BEFORE INSTALLING OR SERVICING THIS EQUIPMENT

DO NOT OBSTRUCT THE FLOW OF COMBUSTION AND VENTILATION AIR TO THIS APPLIANCE

PLEASE READ ALL SECTIONS OF THIS MANUAL AND RETAIN FOR FUTURE REFERENCE.

THIS PRODUCT HAS BEEN CERTIFIED AS COMMERCIAL COOKING EQUIPMENT AND MUST BE INSTALLED BY PROFESSIONAL PERSONNEL AS SPECIFIED.

IN THE COMMONWEALTH OF MASSACHUSETTS THIS PRODUCT MUST BE INSTALLED BY A LICENSED PLUMBER OR GAS FITTER.

For Your Safety:
Post in a prominent location, instructions to be followed in the event the user smells gas. This information shall be obtained by consulting your local gas supplier.

Users are cautioned that maintenance and repairs must be performed by a Garland authorized service agent using genuine Garland replacement parts. Garland will have no obligation with respect to any product that has been improperly installed, adjusted, operated or not maintained in accordance with national and local codes or installation instructions provided with the product, or any product that has its serial number defaced, obliterated or removed, or which has been modified or repaired using unauthorized parts or by unauthorized service agents. For a list of authorized service agents, please refer to the Garland web site at <http://www.garland-group.com>. The information contained herein, (including design and parts specifications), may be superseded and is subject to change without notice.

GARLAND COMMERCIAL RANGES, LTD.
1177 Kamato Road, Mississauga, Ontario, CANADA L4W 1X4
phone 905-624-0260 | fax 905-624-5669 | www.garland-group.com

USA Sales, Parts and Service
Canadian Sales
Canada or USA Parts/Service
International Sales and Service

1-800-424-2411
1-888-442-7526
1-800-427-6668
www.ManitowocFoodservice.com



IMPORTANT INFORMATION

WARNING:

This product contains chemicals known to the state of california to cause cancer and/or birth defects or other reproductive harm. Installation and servicing of this product could expose you to airborne particles of glass wool/ceramic fibers. Inhalation of airborne particles of glass wool/ceramic fibers is known to the state of california to cause cancer. Operation of this product could expose you to carbon monoxide if not adjusted properly. Inhalation of carbon monoxide is known to the state of california to cause birth defects or other reproductive harm.

Keep appliance area free and clear of combustibles.

TABLE OF CONTENTS

IMPORTANT INFORMATION	2
INTRODUCTION	4
Uncrating.....	4
Rating Plate.....	4
DIMENSIONS AND SPECIFICATIONS	5
GENERAL INFORMATION	6
Salamander Performance and Construction	6
INSTALLATION	6
National Code Requirements	6
Gas Connections.....	7
Optional Inter-Connect Kit (Models GIR36, GIR48 & GIR60).....	8
Installation Of A Salamander To A Range	10
Model GIR36 – 36” Ranges	10
Model GIR48 – 48” Ranges.....	11
Model GIR60 – 60” Ranges.....	13
Wall Or Counter Mounted Salamanders	14
Model GIR36C.....	14
Ventilation and Air Supply.....	15
Clearances	15
OPERATION	15
Pilot Lighting Instructions	15
Main Burner Operation.....	15
Burn off Period.....	15
Energy Conservation.....	16
Shut Down Instructions	16
Main Burner Adjustments	16
MAINTENANCE AND CLEANING	16
Daily	16
Monthly.....	16
Exterior Cleaning	16

INTRODUCTION

Units included in this manual are:

Salamander Models: GIR36C, GIR36, GIR48, GIR60

All units are shipped completely assembled with the pressure regulator packed inside the unit drip tray. Units are inspected at the factory prior to shipment.

The appliance should be given regular care and maintenance. Periodic inspections by your dealer or a qualified service agency are recommended.

This product has been certified as commercial cooking equipment and must be installed by professional personnel as specified.

Uncrating

Check the crate for possible damage during transit. Carefully remove the unit from the crate and again check for damage. If damage has occurred, report it to the carrier immediately.

Shipping wire, or ties for retaining the packaging material must be removed from the units, as well as any protective material covering stainless steel.

DO NOT remove any permanently affixed label warnings or the rating plate from the appliance, as this may invalidate the manufacturer's warranty.

The type of gas and supply pressure that the equipment was set-up for at the factory are indicated on the rating plate and packaging. The type of gas and pressure specified must be supplied to the unit.

Rating Plate

The rating plate is affixed to the Salamander front panel and is located underneath the removable drip tray.

When corresponding with the factory or your local authorized factory service center regarding service problems or replacement parts, be sure to refer to the particular unit by the correct model number (including the prefix and suffix letters and numbers) and the warranty serial number. The rating plate contains this information.

The rating plate also contains the gas type and supply pressure, as well as listing the input rating of all burners.

In the event you have any questions concerning the installation, use, care or service of the product, write or call our Product Service Department.

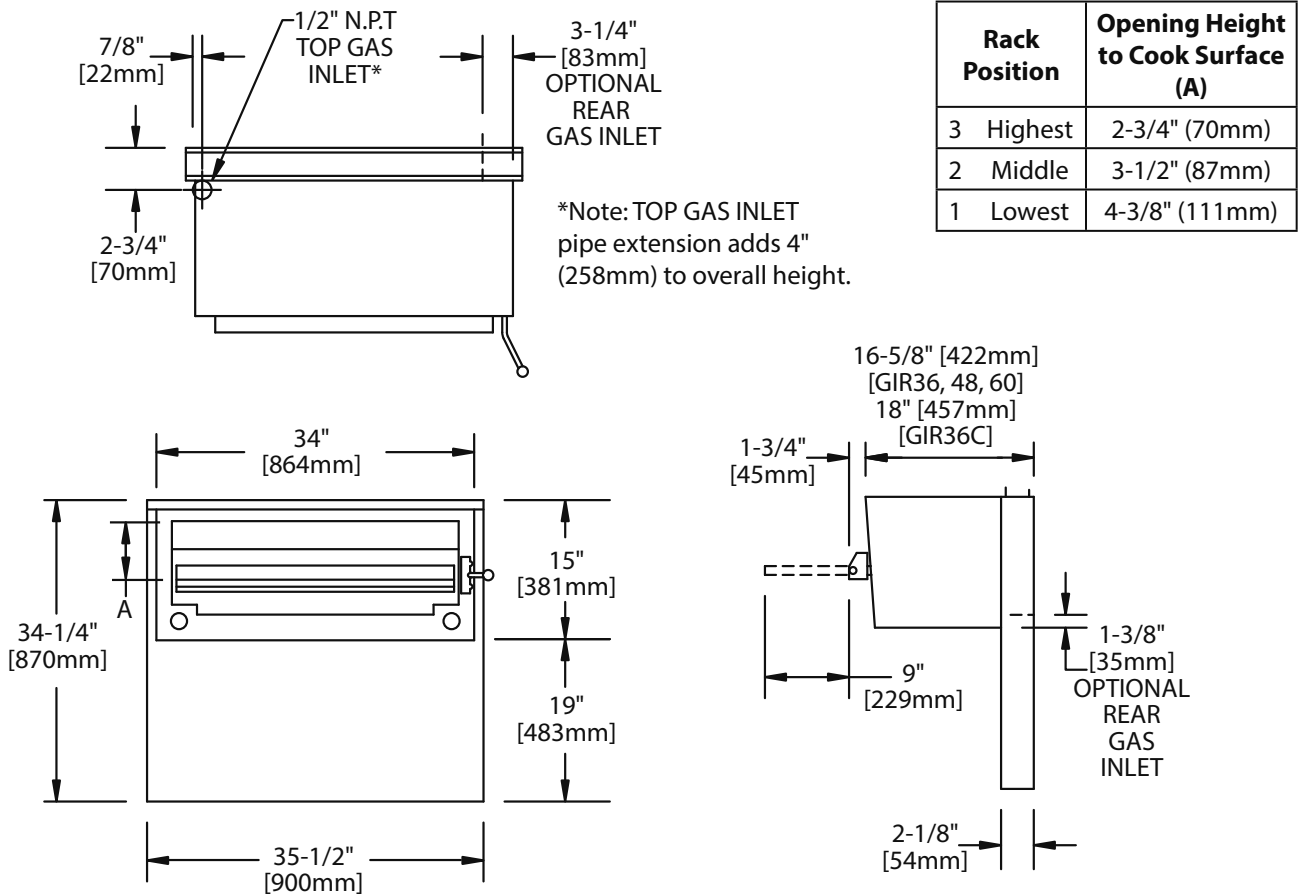
DIMENSIONS AND SPECIFICATIONS

Model	Width	Use With G Series Model	Shipping Information		Entry Clearances: In (mm)	
			Cu Ft	lbs/Kg	Crated	Uncrated
GIR36C	34" (864mm)	N/A	21	170/77	29(737)	21(533)
GIR36	35-1/2" (900mm)	G36	38.2	200/91	29(737)	21(533)
GIR48	47-1/4" (1200mm) (35-1/2" /900mm center mounted broiler with 47-1/4"/1200mm flue riser)	G48	60.6	230/105	29(737)	21(533)
GIR60*	59" (1500mm) (35-1/2" /900mm broiler + 24"/600mm flue riser w/shelf)	G60	60.6	260/118	29(737)	21(533)

* Note Salamander Broiler on Left Side. Right Side Optional

Operating Pressure		Installation Clearances		Total Input 40,000 BTU/HR (11.7Kw)
Natural	Propane	Sides	Rear	
6"WC (15mbar)	10"WC (25mbar)	6"(152mm)	6"(152mm)	

Gas input ratings shown for installations up to 2000 ft., (610m), above sea level. Please specify altitudes over 2000 ft. Please specify gas type when ordering.



Garland/US Range products are not approved or authorized for home or residential use, but are intended for commercial applications only. Garland/US Range will not provide service, warranty, maintenance or support of any kind other than in commercial applications.

GENERAL INFORMATION

The range-mounted, gas Infra-Red Salamander Broiler is designed for a perfect match and fit to the Garland G Series Range.

Garland products are not approved or authorized for home or residential use, but are intended for commercial applications only. Garland will not provide service, warranty, maintenance or support of any kind other than in commercial applications.

Salamander Performance and Construction

Two Hi-Low gas valves provide individual control of the two (2) atmospheric-type 20,000 BTU/Hr gas infra-red burners for the Salamander.

The "LO" position is adjustable for most field gas pressure situations. Fast preheat and uniform production is provided by the high-efficiency, infra-red burners.

The unique atmospheric design eliminates the need for fans and filters. Heat is directed downward to the large -380 square inch plus – heavy duty broiling rack.

The rack is easily removed from the spring balanced rack assembly. The rack assembly rolls out for ease of loading and unloading and, raises and lowers with positive locking in three positions. The full-width grease deflector attached to the underside of the rack assembly channels hot drippings to a large capacity drip tray even when the rack assembly is rolled out. The rack assembly and drip pan are easily removed for cleaning.

Models GIR36 and GIR48 salamanders are 36" (900mm) and 48" (1200 mm) wide respectively and are supported by heavy-formed brackets to mount to the range.

Model GIR60 mounts to a 60" (1500mm) wide G Series range and includes a 24" (600mm) wide shelf.

Model GIR36C is a counter unit and comes equipped with 4" (102mm) stainless steel legs, it may be mounted to a wall with an optional wall mounting kit.

All salamander models have a stainless steel top and sides. Stainless steel bottoms and heat shields are standard on range match models, optional on model GIR36C.

INSTALLATION

This product has been certified as commercial cooking equipment and must be installed by professional personnel as specified. THIS APPLIANCE IS NOT RECOMMENDED FOR RESIDENTIAL INSTALLATION.

We suggest installation, maintenance and repairs be preformed by your local Garland/US Range authorized service agency.

National Code Requirements

The importance of the proper installation of Commercial Gas Cooking Equipment cannot be over stressed. Proper performance of the equipment is dependent, in great part, on the compliance of the installation with the manufacturer's specifications. Installation must conform to local codes or, in the absence of local codes, with the National Fuel Gas Code, NFPA54 / ANSI Z223.1 or latest edition, Natural Gas Installation Code, CAN/GCA-B149.1 or the Propane Installation Code, CAN/CGA-B149.2 or latest editions, as applicable.

INSTALLATION Continued

Gas Connections



All fixed (non mobile) appliances **MUST** be fitted with a manual gas cock upstream of the appliance to provide a means of isolation for servicing or cleaning purposes. A union or similar means of disconnection must be provided between the gas cock and the appliance.

A manually operable valve must be fitted to the gas supply to the kitchen to enable it to be isolated in an emergency. Whenever practical, this shall be located either outside the kitchen or near an exit in a readily accessible position.

Where it is not practical to do this, an automatic isolation valve system shall be fitted which can be operated from a readily accessible position or near to the exit.

At locations where the manual isolation valve is fitted or the automatic system can be reset, a notice **MUST** be fitted stating:

"ALL DOWNSTREAM BURNER AND PILOT VALVES MUST BE TURNED OFF PRIOR TO ATTEMPTING TO RESTORE THE SUPPLY. AFTER EXTENDED SHUT OFF, PURGE BEFORE RESTORING GAS."

Before assembly and connection, check gas supply.

- A. The type of gas for which the unit is equipped is stamped on the rating plate located on the lower front panel simply remove the drip tray for easy access. Connect a unit stamped "NAT" only to natural gas; connect those stamped "PRO" only to propane gas.
- B. If it is additional equipment or a replacement have a qualified gas technician check the gas pressure to make certain that existing gas facilities (meter piping, etc.) will supply gas to the unit with no more than 1/2" water column pressure drop.

NOTE: When checking pressure, be sure that all other equipment on the same gas line is on. A pressure regulator is supplied with Garland Infra-Red Broilers. The regulator is preset to deliver gas at the pressure shown on the rating plate.

- C. The appliance and its individual shut off (supplied by others) must be disconnected from the gas supply piping system during any pressure testing of that system at pressures in excess of 1/2" psi (3.45 kPa).
- D. The appliance must be isolated from the gas supply piping system by closing its individual manual shut off valve (supplied by others) during any pressure testing of the gas supply piping system at test pressures equal to or less than 1/2 psi (3.45 kPa).
- E. The gas supply connection is made either at the top left rear or lower rear right corner, depending on how the unit was ordered. A readily accessible approved type of hand valve should be installed on each supply line. Test for leaks – **DO NOT USE ANY OPEN FLAME.**
- F. A pressure tap plug is supplied with the units and it is installed on the manifold. The drip tray must be removed to use the pressure tap. The gas pressure must be checked when the unit is installed, to insure that the unit gas pressure is the same as specified on the rating plate. If necessary, pressure adjustments must be made at the supplied pressure regulator.

NOTE: the pressure regulator is located at the top left rear or bottom right rear of the salamander.

- G. If it is a completely new installation, have a qualified gas technician check meter size and piping to ensure that the unit is supplied with a sufficient amount of gas at the specified pressure for unit operation.
- H. Make certain that the new piping, joints and connections have been made in a clean manner and have been purged, so that the piping compound, chips, etc, will not clog pilots, valves and/or controls. Use pipe joint sealant that is resistant to liquefied petroleum gas.

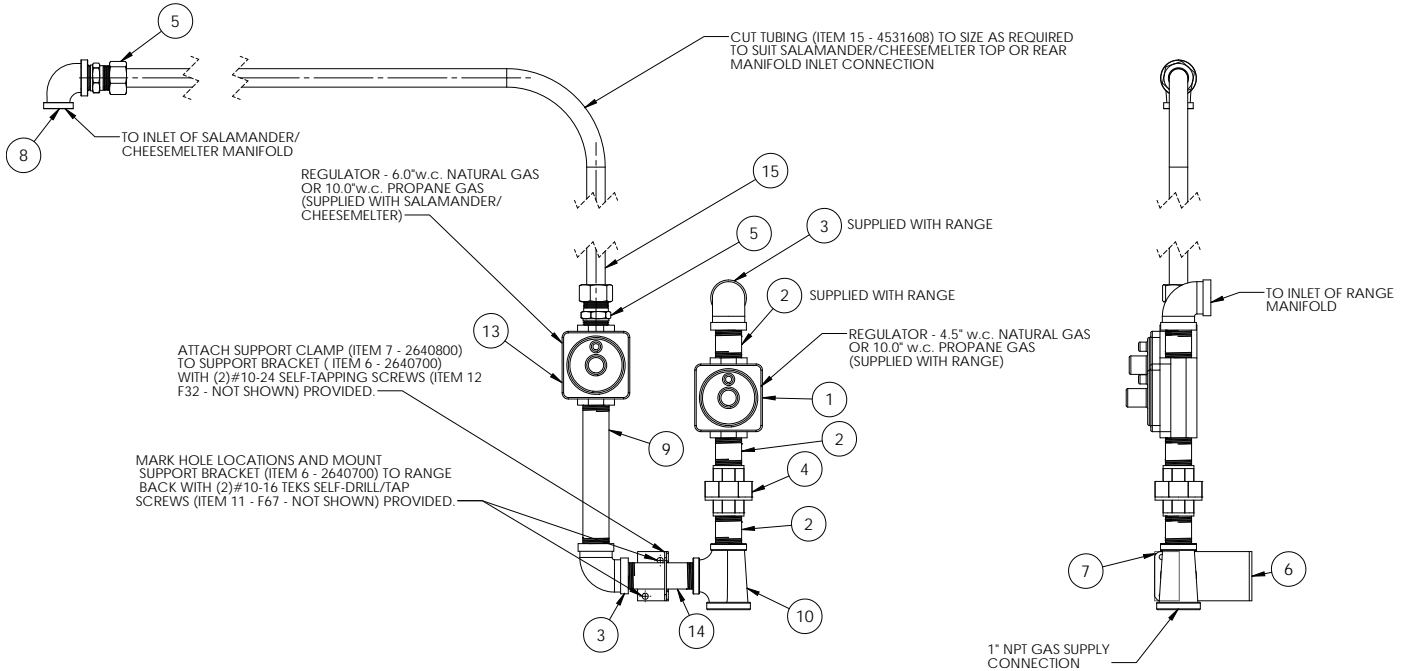
WARNING Check gas connections for leaks. Use a soap solution or similar means. **DO NOT USE AN OPEN FLAME!**

INSTALLATION Continued

Optional Inter-Connect Kit (Models GIR36, GIR48 & GIR60)

The gas supply of the range mounted salamanders may be inter-connected with the supply of the range, so both units are supplied from a single gas connection. The supply gas piping should be a minimum of 1" (25mm) diameter to ensure enough gas capacity is available at the specified pressure to supply the total combined input rating of both appliances. The components comprising the optional inter-connect kit are shown below.

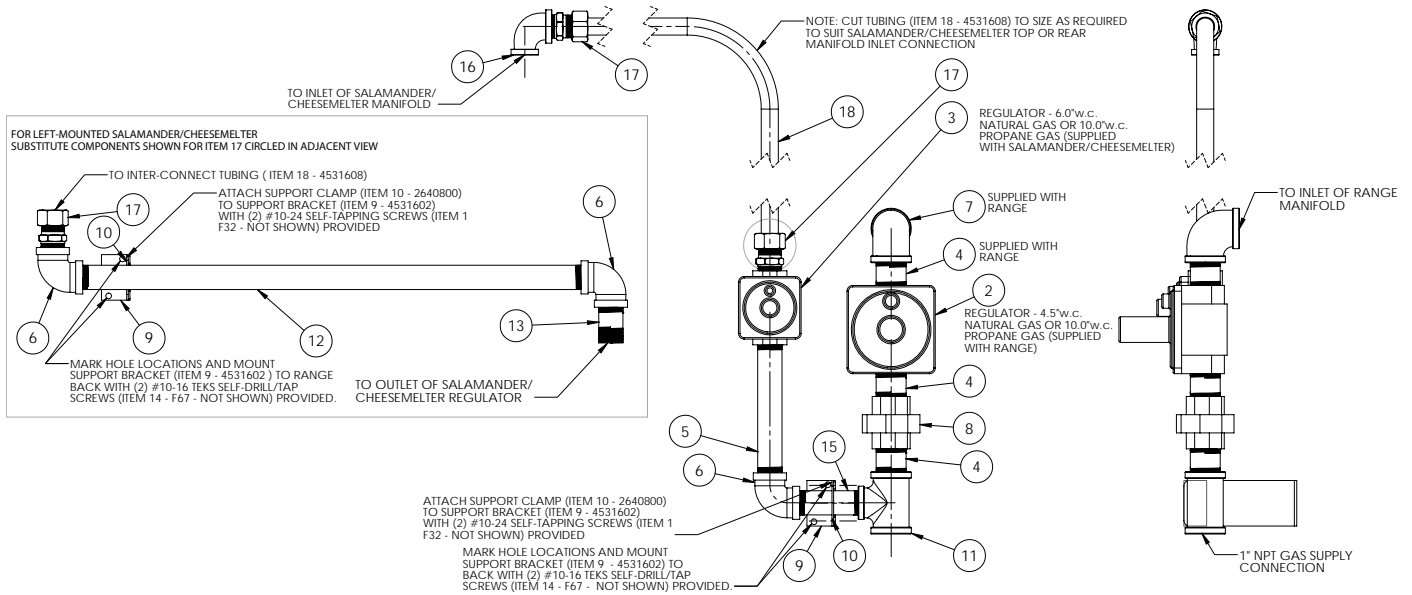
Optional Interconnect Gas Kit #4531606 - Version 1, Connecting to a 36in Range



ITEM	DESCRIPTION	QUANTITY 36"
1	4.5"W.C 3/4"NPT, Regulator Natural Gas, supplied with Range	1
	3/4" ISO 7-1, Regulator Natural Gas, supplied with Range	1
	10"W.C 3/4"NPT, Regulator Propane Gas, supplied with Range	1
	3/4" ISO 7-1, Regulator Propane Gas, supplied with Range	1
2	Nipple, 3/4" NPT x 1/2" (one supplied with range)	3
3	Elbow, 90deg, 3/4" NPT (one supplied with range)	2
4	Union, 3/4" NPT	2
5	3/4"CC x 3/4" NPT Straight Fitting	2
6	Bracket, Pipe Support	1
7	Clamp, Pipe Support Bracket	1
8	Reducing Elbow, 90deg, 3/4" NPT x 1/2" NPT	1
9	Nipple, 3/4" NPT x 6.5"	1
10	Reducing Tee, 3/4" NPT x 3/4" NPT x 1"	1
11	Screw, #10-16 x 1/2" Hex, Washer Head, Teks Self-Drill/Tap (not shown)	2
12	Screw, #10-24 x 1/2" Pan Head, Self-Tap, Type F (not shown)	2
13	6"W.C 3/4" NPT, Regulator Natural Gas, supplied with Salamander/Cheesemelter	1
	10"W.C 3/4" NPT, Regulator Propane Gas, supplied with Salamander/Cheesemelter	1
14	Nipple, 3/4" NPT x 3.5"	1
15	Tubing 3/4"	1

INSTALLATION Continued

Optional Interconnect Gas Kit #4531606 - Version 2, Connecting to a 48in or 60in Range



ITEM	DESCRIPTION	QUANTITY 48" / 60"
1	Screw, #10-24 x 1/2" Pan Head, Self-Tap, Type F (not shown)	4
2	4.5" W.C 1" NPT, Regulator Natural Gas, supplied with Range	1
	1" ISO 7-1, Regulator Natural Gas, supplied with Range	1
	10" W.C 1" NPT, Regulator Propane Gas, supplied with Range	1
	1" ISO 7-1, Regulator Propane Gas, supplied with Range	1
3	6" W.C 3/4" NPT, Regulator Natural Gas, supplied with Salamander/Cheesemelter	1
	10" W.C 3/4" NPT, Regulator Propane Gas, supplied with Salamander/Cheesemelter	1
4	Nipple, 1" NPT x 2" (one supplied with range)	3
5	Nipple, 3/4" NPT x 6.5"	1
6	Elbow, 90deg, 3/4" NPT	3
7	Elbow, 90deg, 1" NPT (supplied with range)	1
8	Union, 1" NPT	1
9	Bracket, Pipe Support 48/60	2
10	Clamp, Pipe Support Bracket	2
11	Reducing Tee, 1" NPT x 1" NPT x 3/4"	1
12	Nipple, 3/4" NPT x 22.75"	1
13	Nipple, 3/4" NPT x 2"	1
14	Screw, #10-16 x 1/2" Hex, Washer Head, Tek's Self-Drill/Tap (not shown)	4
15	Nipple, 3/4" NPT x 3.5"	1
16	Reducing Elbow, 90deg, 3/4" NPT x 1/2" NPT	1
17	3/4" CC x 3/4" NPT Straight Fitting	2
18	Tubing 3/4"	1

SAFETY FIRST

USE PROPER
LIFTING TECHNIQUES

Installation Of A Salamander To A Range

NOTE: The back of the range must be easily accessible.

Model GIR36 – 36" Ranges

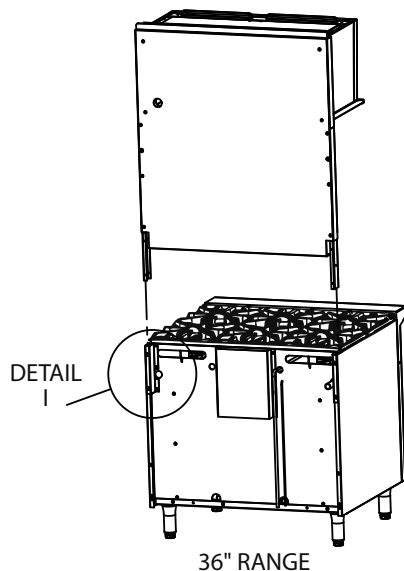
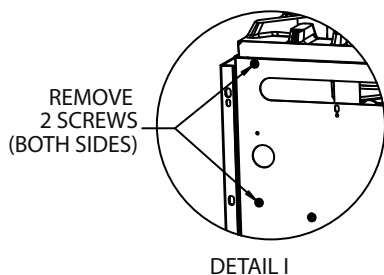
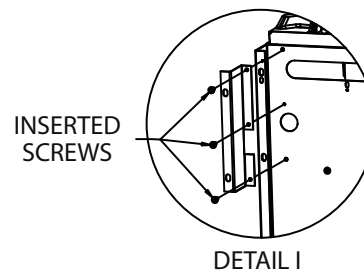


Figure 1 – With area detail defined for 36 inch range.

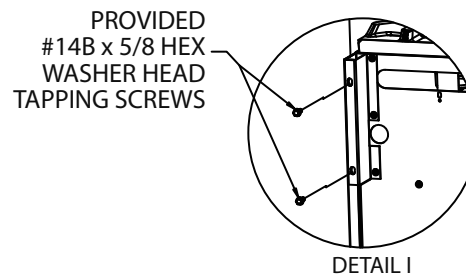
1. Remove screws from back of oven (on both sides of range) as shown:



2. Install the left and right support brackets (part # 4523226 and 4523227) by re-inserting the 2 screws removed in step 1 and one additional screw (on both sides of the range).



3. Slide the salamander down into the support brackets installed in step 2, see figure 1.
4. Once the salamander is in place, fasten it to the unit on both sides of the range with the provided #14B x 5/8 hex washer head tapping screws.



INSTALLATION Continued

Model GIR48 – 48" Ranges

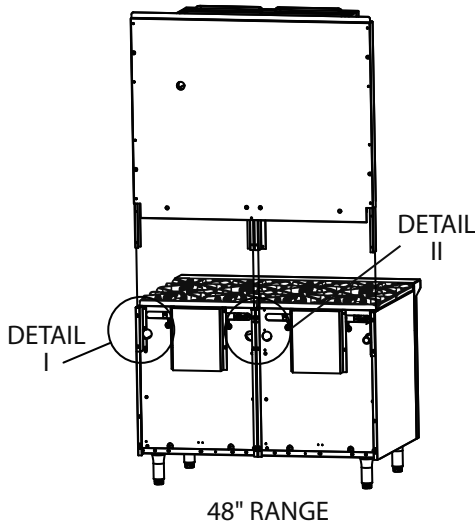
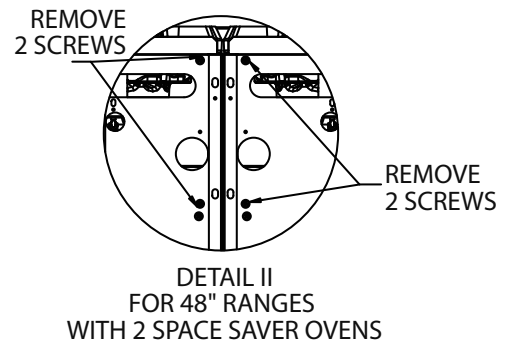
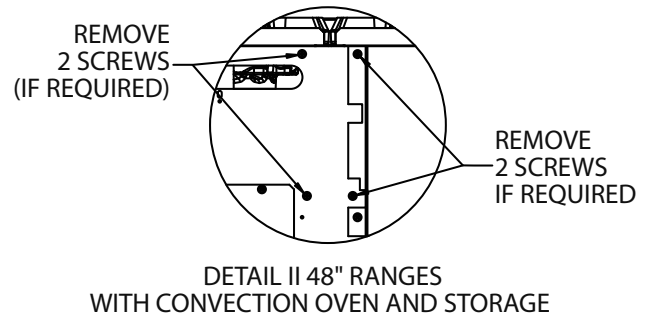
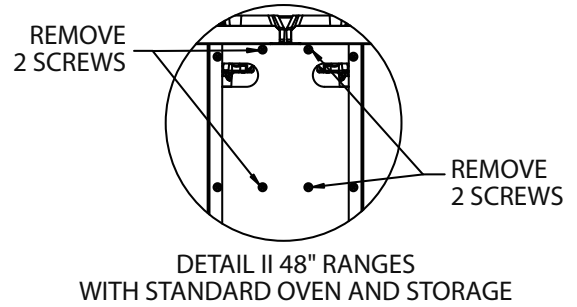
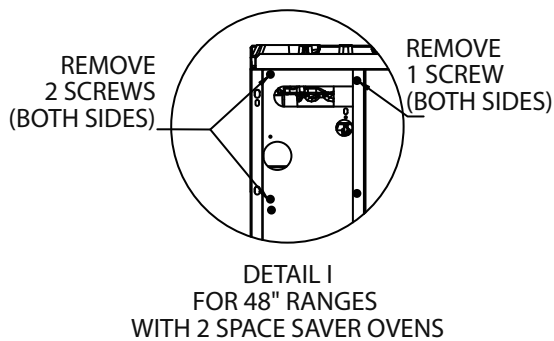
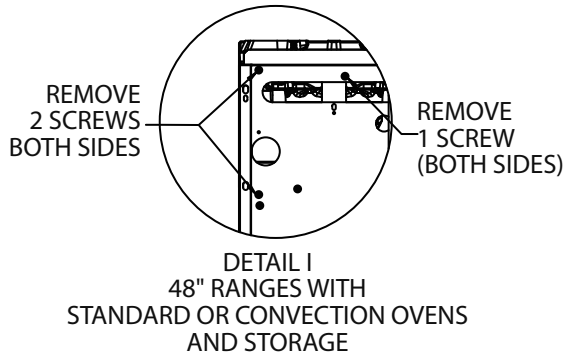
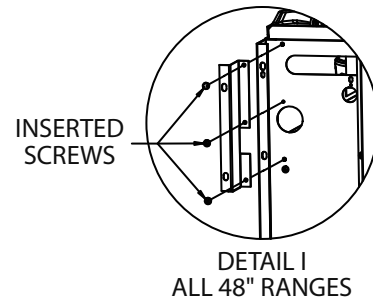


Figure 2 – With area detail defined for 48 inch ranges.

1. Remove screws (a total of 10) from back of oven on both sides of the range (detail I) and center (detail II) as shown for each range model:

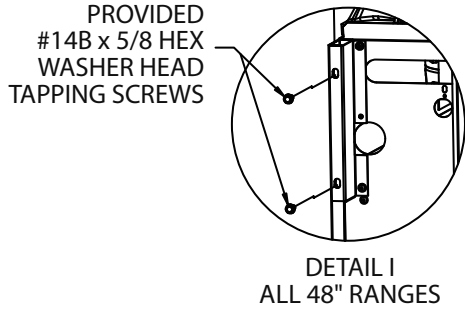


2. For all 48" ranges install the left and right support brackets (part # 4523226 and 4523227) by re-inserting the 2 screws removed in step 1 and one additional screw (on both sides of the range).

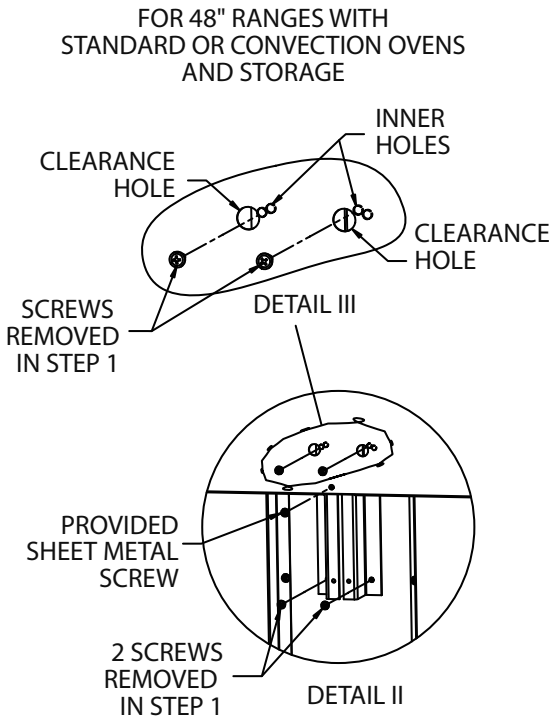


INSTALLATION Continued

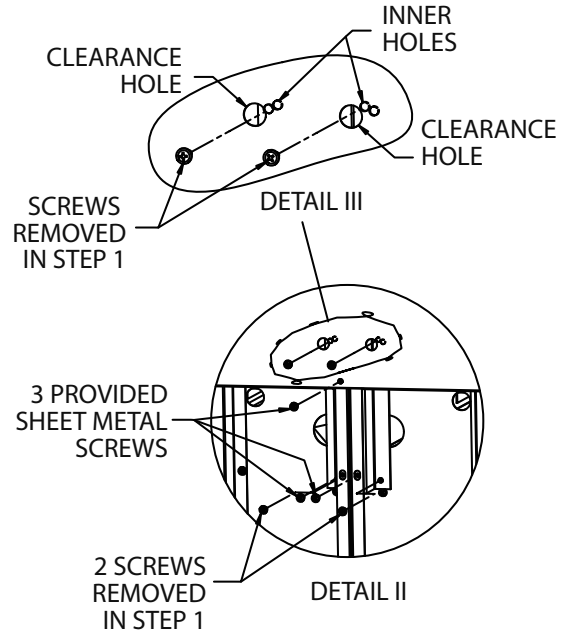
- Slide the salamander down into the support brackets installed in step 2, see figure 2. NOTE: On ranges with 2 space saver ovens, the center post must slide into the center channels built into the back of the unit.
- Once the salamander is in place, fasten it to the unit on both sides of the range with the provided #14B x 5/8 hex washer head tapping screws.



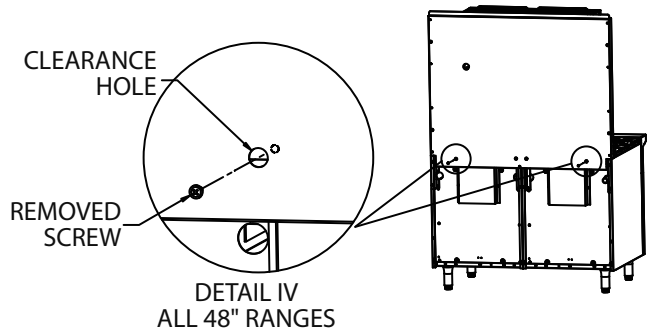
- For center support, (detail II) re-insert screws removed in step 1 or provided sheet metal screws as shown in detail II and III, inserting screws for detail III through clearance in back panel.



FOR 48" RANGES WITH 2 SPACE SAVER OVENS



- Re-insert screws removed in step 1 though clearance hole in back panel as shown:



INSTALLATION Continued

Model GIR60 – 60" Ranges

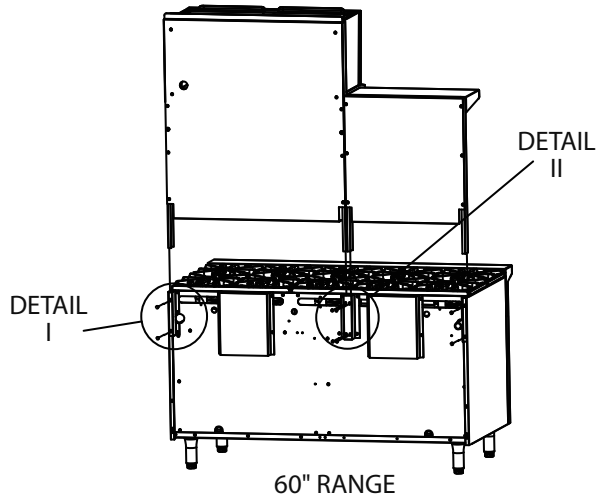
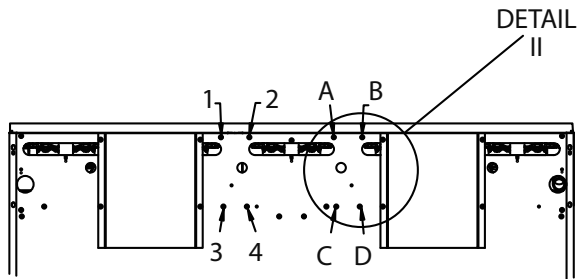
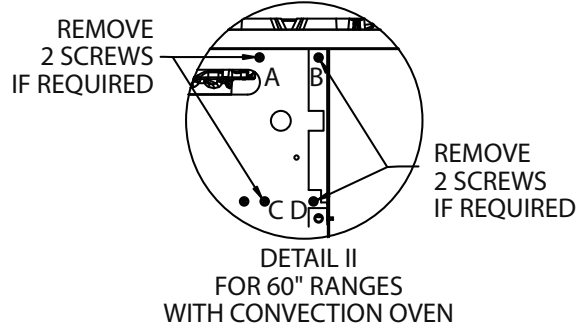
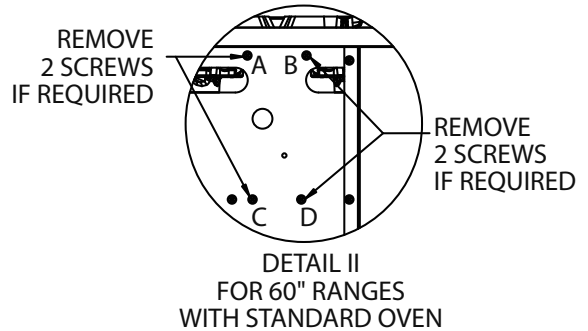
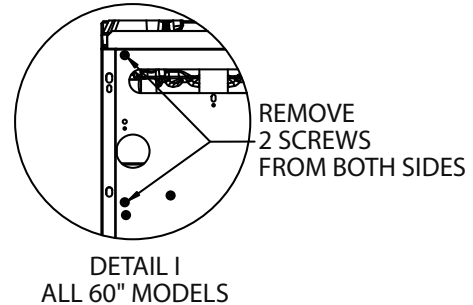


Figure 3 – With area detail defined for 60 inch range.

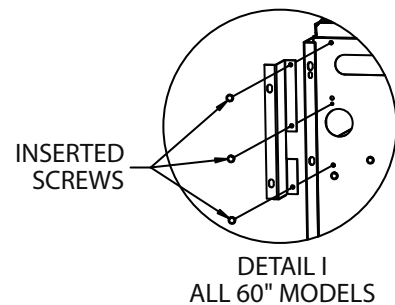
NOTE: Instructions are for mounting the salamander on the right side, for mounting on the left side follow the same directions except use references 1, 2, 3, & 4 (to the left of detail II see below) in lieu of A, B, C, D for detail II in the following steps.



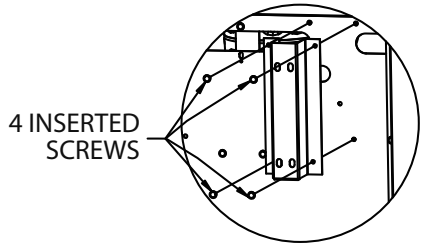
1. Remove screws from back of oven on both sides of the range (detail I) and center (detail II) as shown:



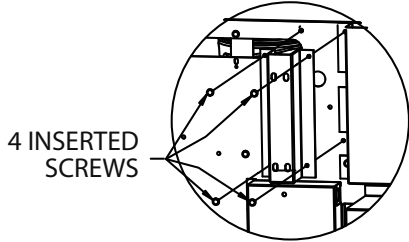
2. Install the left and right support brackets (part # 4523226 and 4523227) using the 2 screws removed in step 1 (detail I) and one additional screw on both sides of the range, and center support bracket (part # 4523282) with the four screws removed in step 1 (detail II).



INSTALLATION Continued

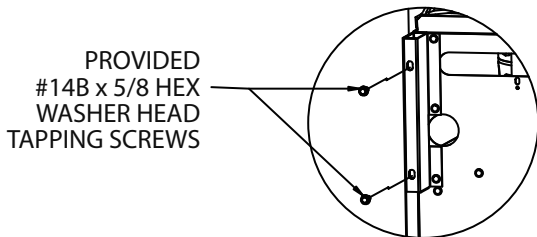


DETAIL II
FOR 60" RANGES
WITH STANDARD OVEN

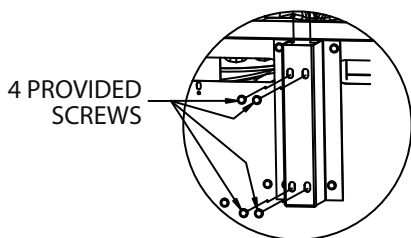


DETAIL II
FOR 60" RANGES
WITH CONVECTION OVEN

- Slide the salamander down into the support brackets installed in step 2, see figure 3.
- Once the salamander is in place, fasten it to the unit on both sides of the range with the provided #14B x 5/8 hex washer head tapping screws (detail I) and the center to the support bracket using 4 of the provided screws (detail II).



DETAIL I
ALL 60" RANGES



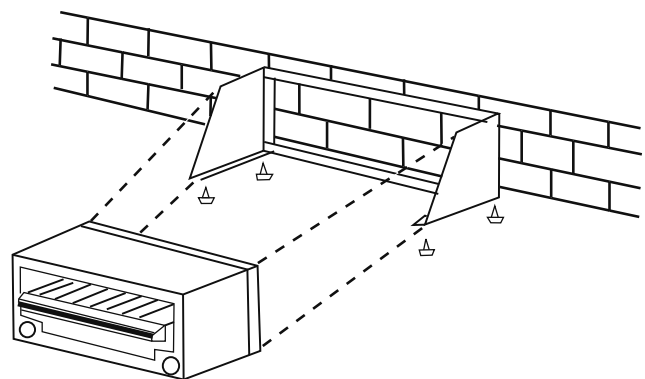
DETAIL II
ALL 60" RANGES

Wall Or Counter Mounted Salamanders Model GIR36C

- Clearance from combustable construction must be six inches (6", 152mm) minimum at the rear and six inches (6", 152mm) minimum at both sides.

The appliance shall be located with respect to building construction and other equipment so as to permit access to the appliance. Such access and clearance may be necessary for service and cleaning.

- Counter models are furnished with 4" (102mm) legs. Level the unit with a carpenter's level and make minor adjustments with the threaded leg feet. Ensure that the counter top can support the weight of the appliance prior to installation and is comprised of non-combustible material.
- Provisions for gas connections, top or rear, should be taken into consideration at time of installation.
- If the unit is to be mounted on a non-combustible wall contact the local authorities for local codes.
- Position, level, and mark location of the assembled wall mount kit.
- Drill wall (locating studs if necessary) to accept suitable fastening devices.
- Drill the angle iron bars of the wall mounting kit to match those drilled in the wall.
- Install wall mounting kit to wall.
- Install and secure broiler with bolts supplied.



INSTALLATION Continued

Ventilation and Air Supply

Proper ventilation is highly important for good operation. The ideal method of ventilation for a Salamander Broiler is the use of a properly designed canopy hood which should extend six inches (6", 152mm) beyond all sides of the appliance and six (6) feet six (6) inches (1981mm) from the floor.

A strong exhaust fan will create a vacuum in the room. For an exhaust system to work properly, replacement air must enter the room in which the vent is located. The amount of air which is exhausted must equal the amount entering, (make-up air).

All gas burners and pilots need sufficient air to operate and large objects should not be placed in front or on top of the broiler which would obstruct the air flow through the front of the broiler.

The following notes are intended to give general guidance. For detailed recommendations, refer to the applicable code(s) in the country of destination.

NOTE 1: The room containing the appliance is required to have a permanent air vent. The minimum effective area of the vent is related to the maximum rated heat input of the appliance and shall be 4.5 cm² per kW (2.04 X 10⁻⁴ in² per BTU/H) in excess of 7 kW. (23,900 BTU/H).

NOTE 2: Air vents should be of such a size to compensate for the effects of any extract fan in the premises.

FOR YOUR SAFETY never place any type of object on top of the salamander broiler. The top of the broiler will exceed 1000° F (538° C). It could cause severe burns and/or fire and also will obstruct ventilation.

Clearances

Clearance must be 6" (152mm) at the sides and rear from combustible material. A clearance of 0.0" to noncombustible construction at the sides & rear is acceptable, for the Salamander.

This appliance is for use on non-combustible floors/counters only.

OPERATION

Pilot Lighting Instructions

1. The in-line service shut-off valve should be in the "ON" position.
2. With a lighted taper you can now light the pilots which are located at the rear of the main burner.
3. The Pilot flame should be approximately 7/8" long for proper ignition of the burners. The pilot adjustment valve can be located by sliding the drip tray forward. Adjustment valves are located on the manifold pipe which runs horizontally across the back of the unit, behind the drip tray. One valve is at the left rear and the other at the right rear.

To adjust the pilot light, turn the brass screw counter-clock-wise to increase the pilot flame, and clock-wise to decrease the pilot flame.

NOTE: No more than 7/8" pilot flame length should be required. Too high a setting will cause the flame to lift off or will create excessive carbon deposits. Do not adjust the pilot flame lower than 7/8" long because this can cause delayed ignition at the burner. The delayed ignition could cause the burner tiles to crack; in that case the burner would have to be replaced.

Main Burner Operation

Turn main burner knob to the "MAX" position and immediately check ignition.

CAUTION Should ignition fail after five seconds, turn valve off and wait five minutes before trying again. Pilot gas is not interrupted automatically. It is the responsibility of the operator to check the ignition of burners immediately after the burner valve has been turned on.

When ignition has been accomplished, a blue flame will cover the surface of the ceramics for 10-15 seconds. The haze will disappear and the burner rod will glow red. After the burners have operated for several minutes turn the valve to "MIN." The burner rods will no longer glow red and the flame travels back and forth on the face of the burner ceramics.

Burn off Period

Many parts used in the manufacturing of commercial equipment have a thin, protective coating of machine oil. This oil should be burned off before the equipment is used for food preparation.

After all start-up and safety checks have been completed, turn burner valve to the "MAX" position. Smoke (a bluish haze) will be produced. This process can take several hours and can be completed over a few days.

OPERATION Continued

Energy Conservation

Do not waste energy by leaving controls at high temperature settings during idle periods. Lower settings will keep broiler warm and ready for next use period. Reset burner valve knob as required for heavy load periods.

Shut Down Instructions

Turn main burner valve knobs to the "OFF" position. If the unit is to be shut down for an extended period of time, close the manual in-line service valve (manual in-line service valve is not factory supplied).

FOR YOUR SAFETY never place any type of object on top of the salamander broiler. The top of the broiler will exceed 1000° F. It could cause severe burns and/or fire and also will obstruct ventilation.

Main Burner Adjustments

All salamanders are provided with fixed burner orifices to provide 20,000 BTU/HR at the "MAX" setting on Natural Gas supplied at 6.0"WC (15 Mbar) pressure or propane gas supplied at 10.0"WC (25 Mbars) pressure.

The "MIN" setting is adjustable and should be set as follows:

1. Set the burner valve knob to "MIN" setting and remove the knob.
2. Insert a thin bladed screwdriver into the valve stem to engage the slot inside the stem. Turn clockwise to decrease the rate and counter-clockwise to increase.

Proper adjustment is attained at the point where the burner rods no longer glow and the flame travels back and forth on the face of the ceramics.

This adjustment has been factory pre-set, however, with changing pressures this adjustment and pilot adjustment may need to be re-done after installation.

This is not considered a manufacturing defect and is not warrantable.

NOTE : Burner adjustments should only be done by an authorized service technician.

MAINTENANCE AND CLEANING

WARNING if gas odors are detected, the gas supply must be turned "OFF" at the main shut-off valve and the local gas company or authorized service agency contacted for service.

A program of proper cleaning techniques will aid in continued trouble free operation of this or any quality equipment.

Daily

The broiling rack should be wiped daily while still warm, using a heavy cloth or other grease absorbing material to remove grease and burnt food before they burn into the grid. Remove burnt materials, such as carbonized grease or food, with a stiff wire brush. **DO NOT USE ANY TYPE OF STEEL WOOL.** Small particles may be left on the rack surface and get into food products. The rack should be washed thoroughly using a wire brush and a hot, mild detergent or soap solution. Rinse with clear, warm water.

Monthly

Lubricate valves and bearings as required. Due to the usual location of the broiler that is mounted above a range with open tops, the heat from the open top will cause the lubrication grease inside the valves to dry out. When you notice that the valve is becoming harder to turn it is then time to have them greased. We suggest an Authorized Service Agent who is familiar with the appliance and working with natural and propane gas, to perform this type of work.

Exterior Cleaning

Establish a regular schedule. Any spills should be wiped off immediately.

1. Wipe exposed, cleanable surface when cool with a mild detergent and hot water. Stubborn residue spots may be removed with a light weight non-metallic scouring pad. Dry thoroughly with a clean cloth.
2. Stainless steel should be cleaned using a mild detergent, a soft cloth and hot water. If it is necessary to use a non-metallic scouring pad, always rub in the direction of the grain in the metal to prevent scratching. Use a water based stainless steel cleaner (such as Drackett Twinkle), if you want a high shine.



INSTRUCTIONS D'INSTALLATION ET D'UTILISATION

SALAMANDRES À INFRAROUGE GARLAND SÉRIE G



POUR VOTRE SÉCURITÉ:
NE PAS STOCKER NI UTILISER D'ESSENCE
OU D'AUTRES VAPEURS OU LIQUIDES
INFLAMMABLES À PROXIMITÉ DE CET
APPAREIL OU DE TOUT AUTRE APPAREIL

AVERTISSEMENT
UNE INSTALLATION, DES RÉGLAGES, DES
MODIFICATIONS, DES RÉPARATIONS OU UN
ENTRETIEN MAL FAITS PEUVENT CAUSER
DES DOMMAGES MATÉRIELS, DES BLES-
SURES OU LA MORT. LIRE SOIGNEUSE-
MENT LES INSTRUCTIONS D'INSTALLATION,
D'UTILISATION ET D'ENTRETIEN
AVANT D'INSTALLER OU DE RÉPARER
L'ÉQUIPEMENT.

NE PAS OBSTRUER LA CIRCULATION D'AIR DE
COMBUSTION ET DE VENTILATION DE CET APPAREIL.
LIRE TOUTES LES SECTIONS DU PRÉSENT
MANUEL ET LE CONSERVER POUR S'Y REPORTER
ULTÉRIEUREMENT.

CE PRODUIT A ÉTÉ HOMOLOGUÉ EN TANT
QU'ÉQUIPEMENT PROFESSIONNEL DE CUISSON
ET DOIT ÊTRE INSTALLÉ PAR DU PERSONNEL
PROFESSIONNEL TEL QUE SPÉCIFIÉ.

DANS L'ÉTAT DU MASSACHUSETTS, CE PRODUIT
DOIT ÊTRE INSTALLÉ PAR UN PLOMBIER OU UN
MONTEUR D'INSTALLATION AU GAZ.

Pour votre sécurité
Placer dans un endroit bien en vue les instructions
à suivre en cas d'odeur de gaz détectée par
l'utilisateur. Cette information peut être obtenue
auprès du fournisseur de gaz local.

L'attention des utilisateurs est attirée sur le fait que l'entretien et les réparations doivent être effectués par un agent d'entretien autorisé par Garland utilisant des pièces de rechange d'origine Garland. Garland n'aura aucune obligation en ce qui concerne n'importe quel produit mal installé, réglé, utilisé ou qui n'aurait pas été entretenu conformément aux codes nationaux et locaux ou aux instructions d'installation fournies avec le produit ou n'importe quel produit dont le numéro de série aurait été mutilé, oblitéré ou supprimé ou qui aurait été modifié ou réparé avec des pièces non autorisées ou par des agents d'entretien non autorisés. Pour obtenir la liste des agents de service autorisés, consulter le site web de Garland à : <http://www.garland-group.com>. Les renseignements contenus dans le présent document (y compris la conception et les spécifications des pièces) peuvent être remplacés ou modifiés sans préavis.

GARLAND COMMERCIAL RANGES, LTD.
1177 Kamato Road, Mississauga, Ontario, CANADA L4W 1X4
téléphone 905-624-0260 | télécopieur 905-624-5669
www.garland-group.com

USA Sales, Parts and Service
Canadian Sales
Canada or USA Parts/Service
International Sales and Service

1-800-424-2411
1-888-442-7526
1-800-427-6668
www.ManitowocFoodservice.com



INFORMATIONS IMPORTANTES

AVERTISSEMENT

Ce produit contient des produits chimiques reconnus par l'état de Californie comme causant le cancer et/ou des malformations congénitales ou d'autres problèmes de reproduction. L'installation et l'entretien de ce produit peut vous exposer aux poussières de laine de verre/fibres céramiques. L'inhalation de ces particules de laine de verre ou de fibres céramiques est reconnue par l'état de Californie comme causant le cancer. L'utilisation de ce produit peut vous exposer au monoxyde de carbone en cas de mauvais réglage. L'inhalation de monoxyde de carbone est reconnue par l'état de Californie comme pouvant causer des malformations congénitales ou d'autres problèmes reproductifs.

Maintenir les abords de l'appareil dégagés et ne pas y stocker de produits combustibles.

TABLE DES MATIÈRES

INFORMATIONS IMPORTANTES	18
INTRODUCTION	20
Appareils concernés par ce manuel :	20
Déballage	20
Plaque Signalétique	20
DIMENSIONS ET SPÉCIFICATIONS	21
INFORMATIONS GÉNÉRALES	22
Performance Et Construction Des Salamandres.....	22
INSTALLATION	22
Exigences Des Codes Nationaux	22
Connexions du gaz	23
Kit D'interconnexion En Option.....	24
Installation D'une Salamandre Sur Une Cuisinière.....	26
Modèle GIR36 – Cuisinières De 36 Po	26
Modèle GIR48 – Cuisinières De 48 Po	27
Modèle GIR60 – Cuisinières De 60 Po	29
Salamandres Montées Sur Un Mur Ou Sur Un Plan De Travail.....	30
Modèle GIR36C	30
Ventilation Et Alimentation En Air.....	31
Dégagements	31
UTILISATION	31
Instructions D'allumage Des Veilleuses	31
Fonctionnement Du Brûleur Principal.....	31
Période De Brûlage	32
Économies D'énergie.....	32
Instructions D'extinction	32
Réglages Du Brûleur Principal	32
ENTRETIEN ET NETTOYAGE	32
Chaque Jour	32
Chaque Mois	32
Nettoyage Extérieur.....	32

INTRODUCTION

Appareils concernés par ce manuel :

Modèles de salamandre: GIR36C, GIR36, GIR48, GIR60

Tous les appareils sont expédiés complètement montés avec le régulateur de pression emballé à l'intérieur du bac récepteur de l'appareil. Tous les appareils sont inspectés en usine avant l'expédition.

L'appareil doit être nettoyé et entretenu régulièrement. Il est recommandé de faire effectuer des inspections périodiques par le concessionnaire ou une agence de services qualifiée.

Ce produit a été homologué en tant qu'équipement professionnel de cuisson et doit être installé par du personnel professionnel tel que spécifié.

Déballage

Assurez-vous que la caisse n'a subi aucun dommage pendant son transport. Retirez soigneusement l'unité de son carton ou sa caisse, et essayez de nouveau de déceler tout dommage éventuel. Vous devez signaler immédiatement au transporteur tout dommage occasionné à l'appareil.

Fil d'expédition ou les fils de fer retenant les brûleurs et autres matériaux d'emballage doivent être retirés des appareils. Tout le matériel de protection couvrant les pièces en acier inoxydable doit également être retiré.

NE RETIREZ PAS de l'appareil les étiquettes, avertissements ou plaques signalétiques apposés de façon permanente, car cela peut annuler la garantie du fabricant.

Le type de gaz et la pression d'alimentation pour lesquels l'équipement a été réglé en usine sont notés sur la plaque signalétique et sur l'emballage. Vous devez utiliser ce type de gaz.

Plaque Signalétique

La plaque signalétique est fixée au panneau avant de la salamandre et est située sous le bac récepteur amovible.

Pour correspondre avec l'usine ou le centre de service agréé local concernant des problèmes de service ou des pièces de rechange, bien faire référence à l'appareil avec le numéro de modèle correct (comprenant les lettres et chiffres du préfixe et du suffixe) et le numéro de série de garantie. La plaque signalétique fixée à l'appareil contient ces renseignements.

La plaque signalétique contient également le type de gaz et la pression d'alimentation ainsi que la liste des débits calorifiques de tous les brûleurs.

En cas de questions concernant l'installation, l'utilisation, l'entretien ou la réparation du produit, écrire ou communiquer avec le département de service des produits.

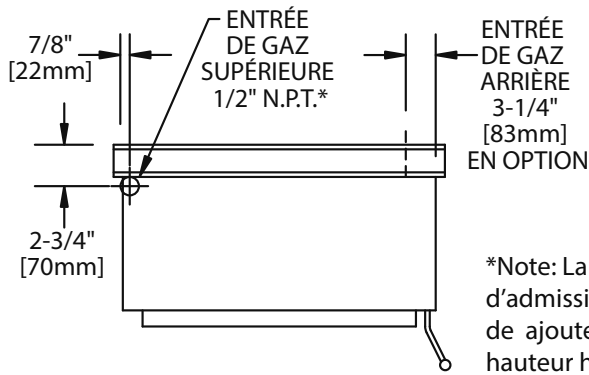
DIMENSIONS ET SPÉCIFICATIONS

Modèle	Largeur	Utilisation Avec Modèle Série G	Informations D'expédition		Dégagements D'entrée : Po (mm)	
			Pi ³	lbs/Kg	En caisse	Déballé
GIR36C	34" (864mm)	N/A	21	170/77	29(737)	21(533)
GIR36	35-1/2" (900mm)	G36	38.2	200/91	29(737)	21(533))
GIR48	47-1/4" (1200mm) (Gril central de 35-1/2 po /900 mm avec colonne montante de fumée de 47-1/4 po/1 200 mm)	G48	60.6	230/105	29(737)	21(533)
GIR60*	59" (1500mm) (Gril de 35-1/2 po /900 mm + colonne montante de fumée de 24 po/600 mm avec étagère)	G60	60.6	260/118	29(737)	21(533)

* Note : la salamandre sur le côté gauche. Côté droit en option

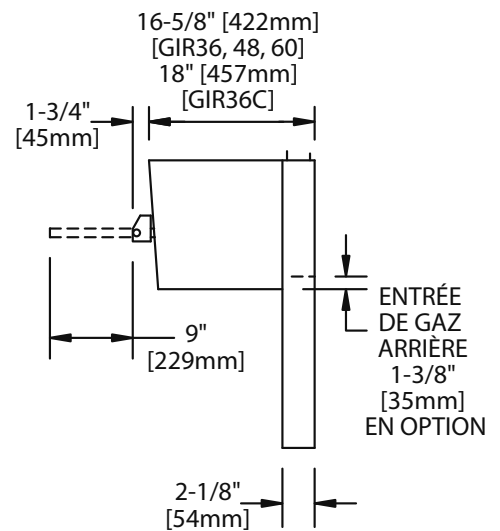
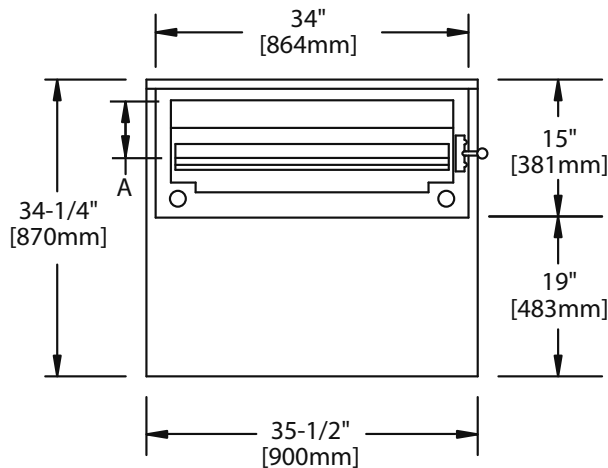
Pression De Fonctionnement		Dégagements D'installation		Débit Calorifique
Naturel	Propane	Côtés	Arrière	
6"WC (15mbar)	10"WC (25mbar)	6"(152mm)	6"(152mm)	40,000 BTU/HR (11,7Kw)

Les indications de débit calorifique pour le gaz s'appliquent à des installations inférieures à 2 000 pi (610 m) d'altitude au-dessus du niveau de la mer. Prière de spécifier les altitudes supérieures à 2 000 pieds. Prière de spécifier le type de gaz lors de la commande.



*Note: La prolongation de tuyau d'admission de GAZ DE SUPÉRIEURE de ajoute 4 po ; (258mm) à la hauteur hors-tout.

Position De Grille	Hauteur D'ouverture De La Surface De Cuisson (A)	
3 Plus Haute	2-3/4 Po (70mm)	
2 Milieu	3-1/2 Po (87mm)	
1 Plus Basse	4-3/8 Po (111mm)	



Les produits Garland/US Range ne sont pas agréés ni autorisés pour une utilisation personnelle ou résidentielle, mais sont destinés à des applications commerciales seulement. Garland n'offre pas de services de réparation, garantie, entretien ou soutien de n'importe quelle sorte pour des applications autres que commerciales.

INFORMATIONS GÉNÉRALES

La salamandre à infrarouge à gaz montée sur cuisinière est conçue pour s'adapter parfaitement sur les cuisinières de la série G de Garland.

Les produits Garland ne sont pas agréés ni autorisés pour une utilisation personnelle ou résidentielle, mais sont destinés à des applications commerciales seulement. Garland n'offre pas de services de réparation, garantie, entretien ou soutien de n'importe quelle sorte pour des applications autres que commerciales.

Performance Et Construction Des Salamandres

Deux robinets de gaz Hi-Low permettent de commander individuellement les (2) brûleurs infrarouge de type atmosphérique de 20 000 Btu/h de la salamandre. La position «LO» (mini) est réglable pour la plupart des pressions du gaz sur place. Un préchauffage rapide et un chauffage uniforme sont assurés par les brûleurs à infrarouge et haut rendement. La conception atmosphérique unique élimine le besoin de ventilateurs et filtres. La chaleur est dirigée vers le bas, dans la grande – 380 po² - grille de rôtissoire robuste. La grille est démontée rapidement de l'ensemble de grille à ressorts de rappel. L'ensemble de grille sort facilement pour faciliter

le chargement et le déchargement et monte et descend avec verrouillage en enclenchement dans trois positions. Le déflecteur de graisse pleine largeur fixé à la partie inférieure de l'ensemble de grille dirige le jus de cuisson chaud vers un bac récepteur de grande capacité, même quand l'ensemble de grille est sorti. L'ensemble de grille et le bac récepteur se démontent facilement pour le nettoyage.

Les modèles de salamandre GIR36 et GIR48 ont une largeur respective de 36 po (900 mm) et 48 po (1 200 mm) et sont soutenus par des supports moulés solides que se montent sur la cuisinière.

Le modèle GIR60 se monte sur une cuisinière série G de 60 po (1 500 mm) de large et est doté d'une étagère de 24 po (600 mm) de large.

Le modèle GIR36C est un modèle pour plan de travail qui est livré équipé de pieds en acier inoxydable de 4 po (102 mm); il peut être monté sur un mur avec un kit de montage mural en option.

Tous les modèles de salamandre ont un dessus et des côtés en acier inoxydable. Les fonds et les écrans thermiques en acier inoxydable sont standard sur les modèles adaptés aux cuisinières et en option sur le modèle GIR36C.

INSTALLATION

Ce produit a été homologué en tant qu'équipement de cuisson commercial et doit être installé par du personnel professionnel comme spécifié. CET APPAREIL N'EST PAS RECOMMANDÉ POUR UNE INSTALLATION RÉSIDENTIELLE.

Nous suggérons de faire faire l'installation, l'entretien et les réparations par une agence de service agréée locale de Garland/US Range.

Exigences Des Codes Nationaux

On n'insistera jamais assez sur l'importance d'une installation correcte d'un équipement commercial de cuisson au gaz. Le fonctionnement correct de l'équipement dépend, en grande partie, de la conformité de l'installation aux spécifications du fabricant. L'installation doit être conforme aux codes locaux ou, en l'absence de codes locaux, au National Fuel code, NFPA54 / ANSI Z223.1 ou la dernière version, au Code d'installation du gaz naturel, CAN/CGA-B149.1 ou au Code d'installation du propane CAN/CGA-B149.2 ou les dernières versions, selon le cas.

INSTALLATION (suite)

Connexions du gaz



Tous les appareils fixes (non mobiles) DOIVENT être équipés d'un robinet de gaz manuel en amont de l'appareil pour pouvoir isoler l'appareil lors de toute intervention d'entretien ou de nettoyage. Un raccord union ou tout autre moyen de déconnexion doit être installé entre le robinet de gaz et l'appareil.

Un robinet à commande manuelle doit être installé sur l'arrivée de gaz dans la cuisine pour permettre d'isoler la cuisine en cas d'urgence. Chaque fois que cela est possible, ce robinet sera installé soit à l'extérieur de la cuisine ou près d'une sortie dans un endroit facile d'accès. .

Lorsque cela est impossible, un système automatique de robinet d'isolement doit être installé à un endroit facile d'accès près de la sortie.

L'avertissement suivant DOIT être affiché à l'endroit d'installation du robinet d'isolement ou du système automatique :

« TOUS LES ROBINETS DE BRÛLEURS ET DE VEILLEUSES EN AMONT DOIVENT ÊTRE MIS EN POSITION D'ARRÊT AVANT D'OUVRIR L'ALIMENTATION. APRÈS UN PÉRIODE D'ARRÊT PROLONGÉE. PURGER AVANT DE REBRANCHER LE GAZ ».

Avant le montage et le branchement, vérifier l'alimentation en gaz..

- A. Le type de gaz pour lequel l'appareil est équipé est estampillé sur la plaque signalétique située sur le panneau intérieur de porte, retirer simplement le bac récepteur pour faciliter l'accès. Brancher un appareil estampillé « NAT » au gaz naturel et un appareil estampillé « PRO » au gaz propane.
- B. S'il s'agit d'un équipement supplémentaire ou de remplacement, faire vérifier la pression du gaz par un technicien qualifié afin de s'assurer que les installations de gaz existantes (compteur, tuyauteries, etc.) fourniront l'appareil a besoin avec une chute de pression ne dépassant pas 1/2 po de colonne d'eau.

NOTA : Pour vérifier la pression du gaz, s'assurer que tous les autres équipements branchés sur la même conduite de gaz sont allumés. Un régulateur de pression est fourni avec les grils US Range de type à charbon de bois. Le régulateur est pré réglé pour débiter le gaz à la pression indiquée sur la plaque signalétique.

- C. Cet appareil et son robinet d'arrêt du gaz individuel (non fourni par Garland/US Range) doivent être débranchés du système d'alimentation en gaz lors de tout essai de pression de ce système à des pressions dépassant 1/2lb/po² (3,45 kPa).
- D. Cet appareil doit être isolé du système d'alimentation en gaz en fermant son robinet d'arrêt individuel (non fourni par Garland) lors de tout essai du système d'alimentation en gaz à des pressions d'essai supérieures ou égales à 1/2 lb/po² (3,45 kPa)..
- E. La connexion d'alimentation en gaz se fait dans le coin arrière supérieur gauche ou inférieur droit, selon la façon dont l'appareil a été commandé. Un robinet manuel facilement accessible et de type homologué devrait être installé sur chaque conduite d'alimentation. Vérifications des fuites – **NE PAS UTILISER DE FLAMME NUE.**
- F. Un bouchon de prise de pression est fourni avec les appareils et est installé sur le collecteur. Le panneau des robinets doit être retiré pour utiliser la prise de pression. Il est nécessaire de vérifier la pression du gaz quand l'appareil est installé, pour s'assurer que la pression d'alimentation de l'appareil est identique à celle indiquée sur la plaque signalétique. Si nécessaire, des réglages de pression doivent être faits au régulateur de pression

NOTA : le régulateur de pression est situé dans le coin arrière supérieur gauche ou inférieur droit de la salamandre.

- G. S'il s'agit d'une installation neuve, faire vérifier par un technicien qualifié en matière de gaz la taille du compteur et des conduites afin de s'assurer que l'appareil reçoit une quantité de gaz suffisante à la pression spécifiée pour fonctionner correctement.
- H. S'assurer que les tuyauteries, joints et branchements neufs ont été exécutés proprement et ont été purgés de façon à ce que la graisse à filetage, les copeaux, etc. ne bouchent pas les robinets des veilleuses ni les commandes. Utiliser du produit d'étanchéité pour joint qui résiste au gaz de pétrole liquéfié.

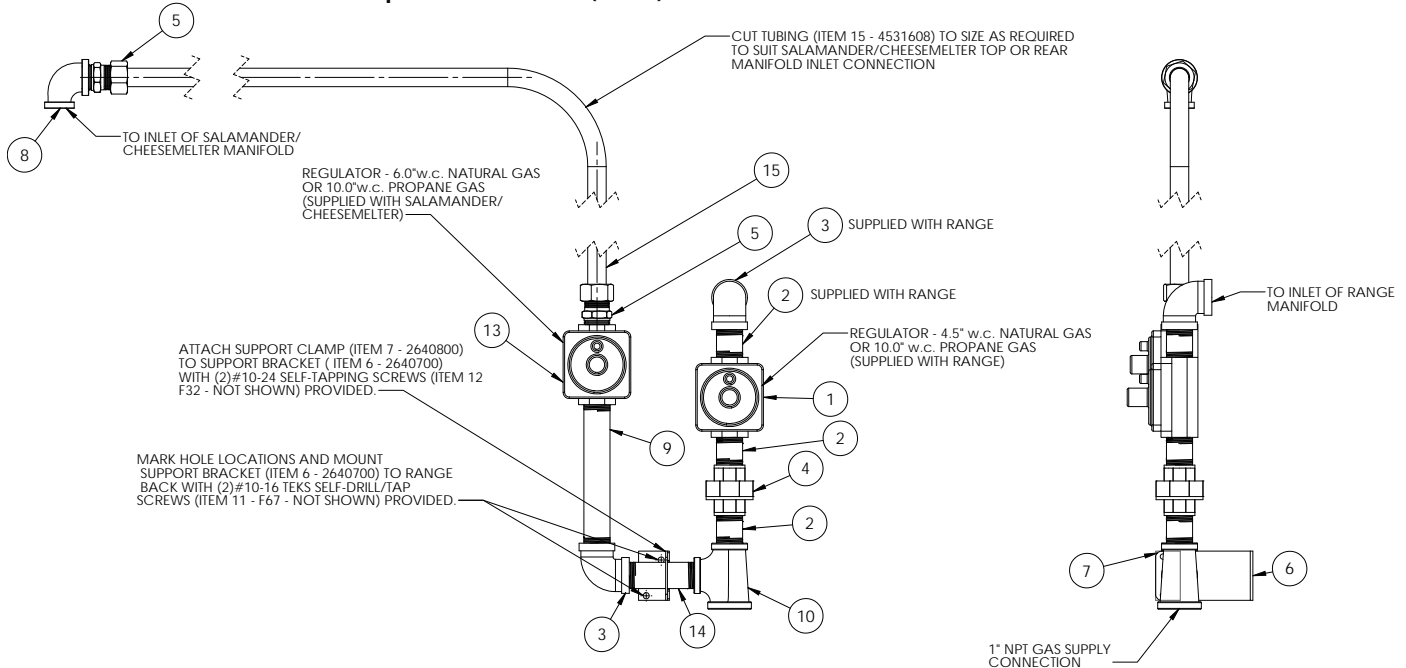
AVERTISSEMENT : Vérifier la présence de fuites sur les connexions de gaz. Utiliser une solution savonneuse ou une méthode similaire. **NE PAS UTILISER DE FLAMME NUE!**

INSTALLATION (suite)

Kit D'interconnexion En Option

L'alimentation en gaz des salamandres montées sur cuisinière peut être interconnectée avec l'alimentation de la cuisinière, de façon à ce que les deux appareils soient alimentés depuis une seule connexion. La canalisation d'alimentation en gaz doit avoir un diamètre minimal de 1 po (25 mm) pour assurer une capacité suffisante en gaz.

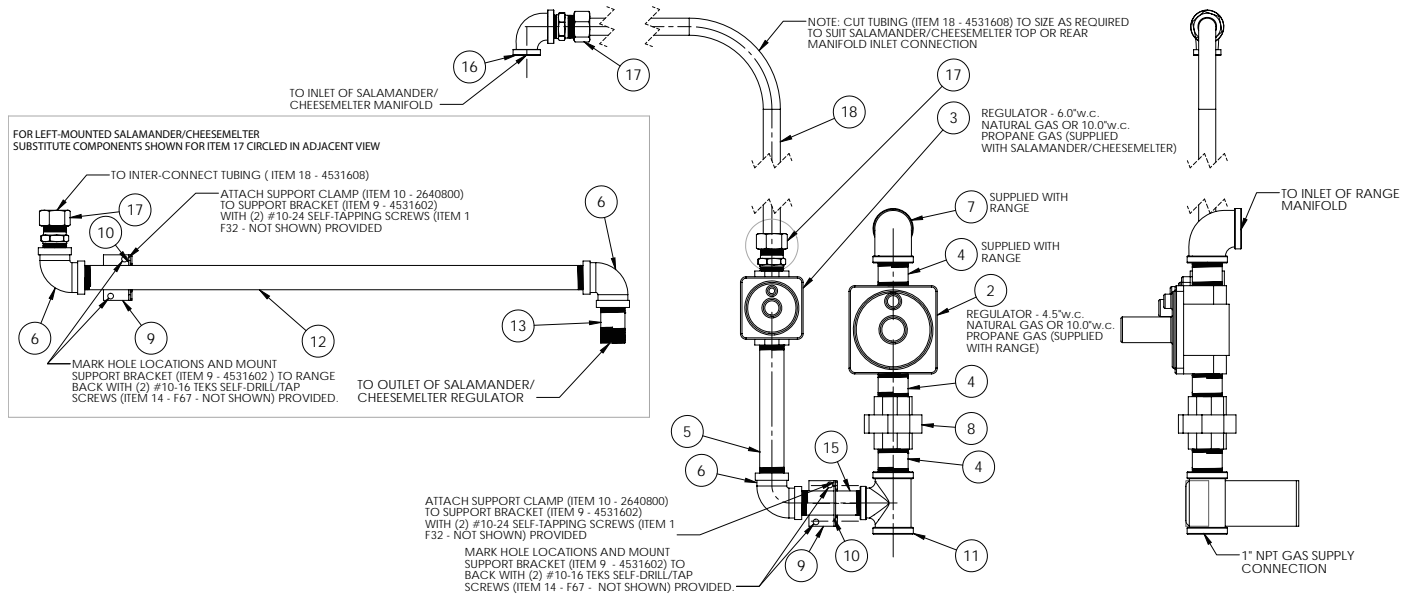
Kit D'interconnexion Au Gaz En Option N° 4531606 (36Po)



PIÈCE	DESCRIPTION	QUANTITÉ 36Po
1	4.5" W.C 3/4" NPT, Regulator Natural Gas, supplied with Range	1
	3/4" ISO 7-1, Regulator Natural Gas, supplied with Range	1
	10" W.C 3/4" NPT, Regulator Propane Gas, supplied with Range	1
	3/4" ISO 7-1, Regulator Propane Gas, supplied with Range	1
2	Nipple, 3/4" NPT x 1/2" (one supplied with range)	3
3	Elbow, 90deg, 3/4" NPT (one supplied with range)	2
4	Union, 3/4" NPT	2
5	3/4" CC x 3/4" NPT Straight Fitting	2
6	Bracket, Pipe Support	1
7	Clamp, Pipe Support Bracket	1
8	Reducing Elbow, 90deg, 3/4" NPT x 1/2" NPT	1
9	Nipple, 3/4" NPT x 6.5"	1
10	Reducing Tee, 3/4" NPT x 3/4" NPT x 1"	1
11	Screw, #10-16 x 1/2" Hex, Washer Head, Tek's Self-Drill/Tap (not shown)	2
12	Screw, #10-24 x 1/2" Pan Head, Self-Tap, Type F (not shown)	2
13	6" W.C 3/4" NPT, Regulator Natural Gas, supplied with Salamander/Cheesemelter	1
	10" W.C 3/4" NPT, Regulator Propane Gas, supplied with Salamander/Cheesemelter	1
14	Nipple, 3/4" NPT x 3.5"	1
15	Tubing 3/4"	1

INSTALLATION (suite)

Kit D'interconnexion Au Gaz En Option N° 4531606 (48 Po, 60 Po)



PIÈCE	DESCRIPTION	QUANTITÉ 48 Po, 60 Po
1	Screw, #10-24 x 1/2" Pan Head, Self-Tap, Type F (not shown)	4
2	4.5" W.C 1" NPT, Regulator Natural Gas, supplied with Range	1
	1" ISO 7-1, Regulator Natural Gas, supplied with Range	1
	10" W.C 1" NPT, Regulator Propane Gas, supplied with Range	1
	1" ISO 7-1, Regulator Propane Gas, supplied with Range	1
3	6" W.C 3/4" NPT, Regulator Natural Gas, supplied with Salamander/Cheesemelter	1
	10" W.C 3/4" NPT, Regulator Propane Gas, supplied with Salamander/Cheesemelter	1
4	Nipple, 1" NPT x 2" (one supplied with range)	3
5	Nipple, 3/4" NPT x 6.5"	1
6	Elbow, 90deg, 3/4" NPT	3
7	Elbow, 90deg, 1" NPT (supplied with range)	1
8	Union, 1" NPT	1
9	Bracket, Pipe Support 48/60	2
10	Clamp, Pipe Support Bracket	2
11	Reducing Tee, 1" NPT x 1" NPT x 3/4"	1
12	Nipple, 3/4" NPT x 22.75"	1
13	Nipple, 3/4" NPT x 2"	1
14	Screw, #10-16 x 1/2" Hex, Washer Head, Tekes Self-Drill/Tap (not shown)	4
15	Nipple, 3/4" NPT x 3.5"	1
16	Reducing Elbow, 90deg, 3/4" NPT x 1/2" NPT	1
17	3/4" CC x 3/4" NPT Straight Fitting	2
18	Tubing 3/4"	1

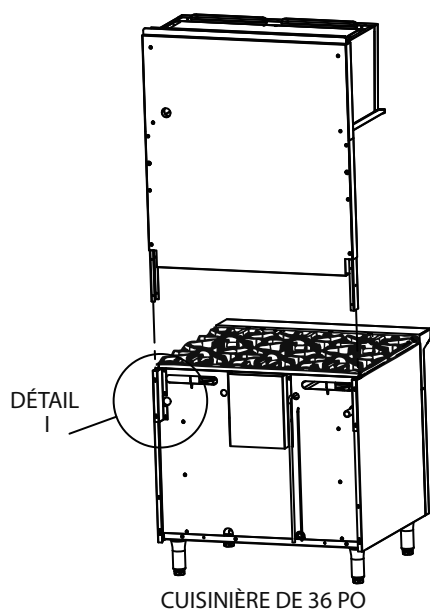
la sécurité d'abord

utiliser des techniques
de levage appropriées

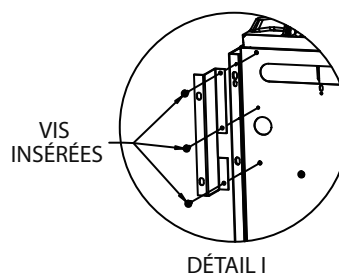
Installation D'une Salamandre Sur Une Cuisinière

NOTA : L'arrière de la cuisinière doit être facilement accessible.

Modèle GIR36 – Cuisinières De 36 Po



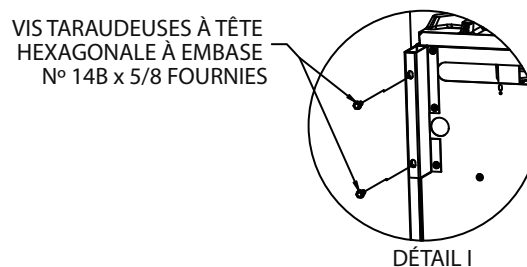
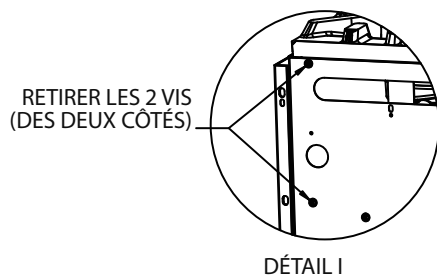
2. Poser les supports gauche et droit (pièces n° 4523226 et n° 4523227) en utilisant les 2 vis déposées à l'étape 1 et une vis supplémentaire (des deux côtés de la cuisinière).



3. Faire glisser la salamandre dans les supports installés à l'étape 2, voir figure 1.
4. Une fois la salamandre en place, la fixer à la cuisinière des deux côtés avec les vis taraudeuses à tête hexagonale à embase n° 14B x 5/8.

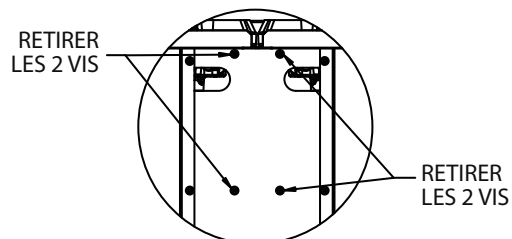
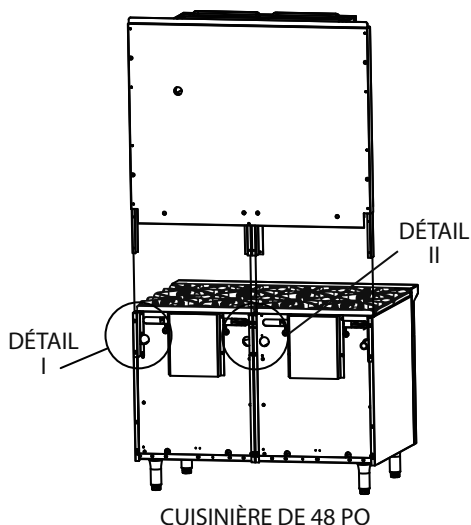
Figure 1 – Avec détails de l'emplacement définis pour une cuisinière de 36 pouces.

1. Retirer les vis de l'arrière du four (des deux côtés de la cuisinière) comme illustré :

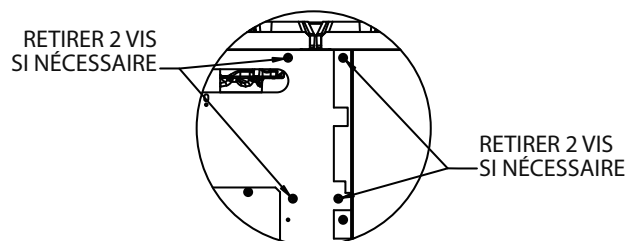


INSTALLATION (suite)

Modèle GIR48 – Cuisinières De 48 Po



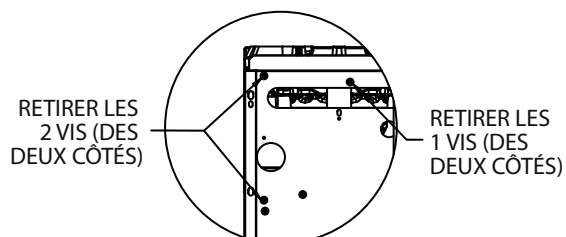
DÉTAIL II CUISINIÈRES DE 48 PO AVEC FOUR STANDARD ET RANGEMENT



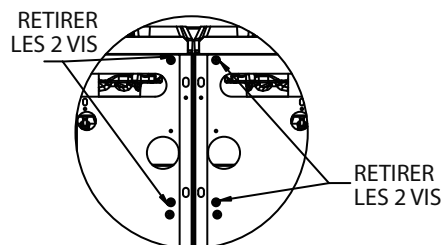
DÉTAIL II CUISINIÈRES DE 48 PO AVEC FOUR À CONVECTION ET RANGEMENT

Figure 2 – Avec détails de l'emplacement définis pour une cuisinière de 48 pouces.

1. Retirer les vis (un total de 10) de l'arrière du four des deux côtés de la cuisinière (détail I) et du centre (détail II) comme illustré pour chaque modèle de cuisinière.

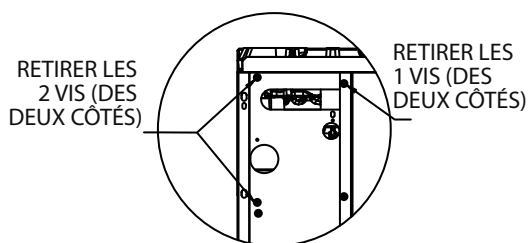


DÉTAIL I CUISINIÈRES DE 48 PO AVEC FOURS STANDARD OU À CONVECTION ET RANGEMENT

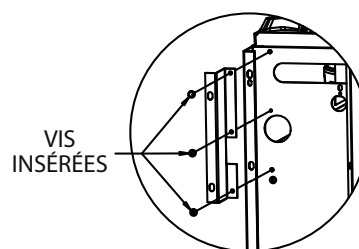


DÉTAIL II POUR CUISINIÈRES DE 48 PO AVEC 2 FOURS ÉCONOMISEURS D'ESPACE

2. Pour toutes les cuisinières de 48 po, poser les supports gauche et droit (pièces n° 4523226 et n° 4523227) en utilisant les 2 vis déposées à l'étape 1 et une vis supplémentaire (des deux côtés de la cuisinière).



DÉTAIL I POUR CUISINIÈRES DE 48 PO AVEC 2 FOURS ÉCONOMISEURS D'ESPACE

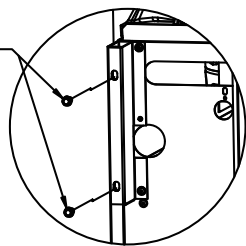


DÉTAIL I TOUTES LES CUISINIÈRES DE 48 PO

INSTALLATION (suite)

- Faire glisser la salamandre dans les supports installés à l'étape 2, voir figure 2. **NOTA** : Sur les cuisinières avec 2 fours économiseurs d'espace, le poteau central doit glisser dans les gorges centrales intégrées à l'arrière de l'appareil.
- Une fois la salamandre en place, la fixer à la cuisinière des deux côtés avec les vis taraudeuses à tête hexagonale à embase n° 14B x 5/8.

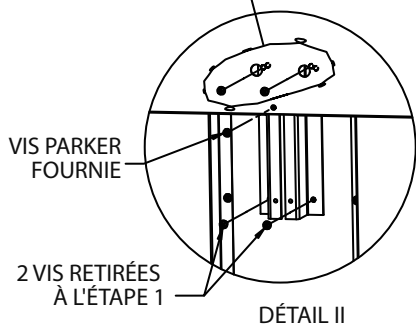
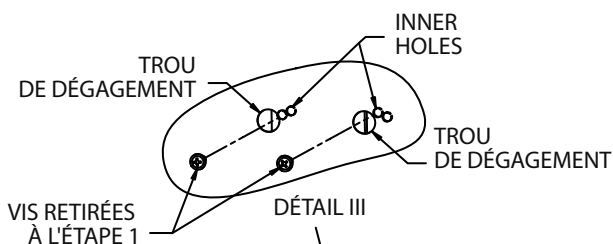
VIS TARAUDEUSES À TÊTE HEXAGONALE À EMBASE N° 14B x 5/8 FOURNIES



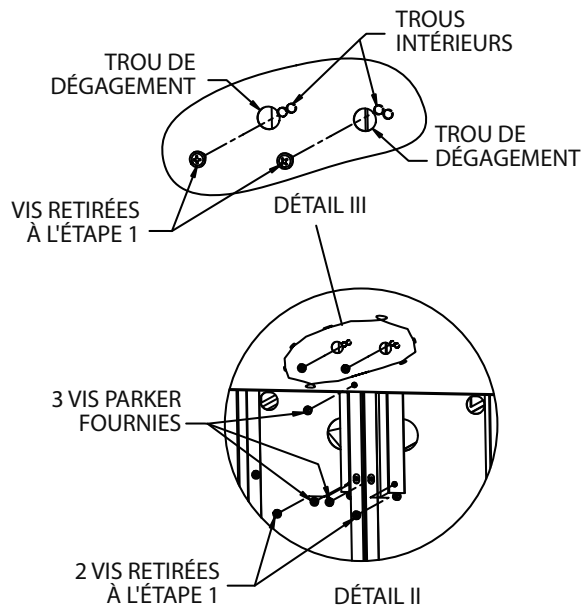
DÉTAIL I
TOUTES LES CUISINIÈRES DE 48 PO

- Pour le support central (détail II), réinsérer les vis déposées à l'étape 1 ou les vis Parker fournies comme illustré dans les détails II et III, en insérant les vis pour le détail III à travers le dégagement du panneau arrière.

POUR CUISINIÈRES DE 48 PO AVEC FOURS STANDARD OU À CONVECTION ET RANGEMENT

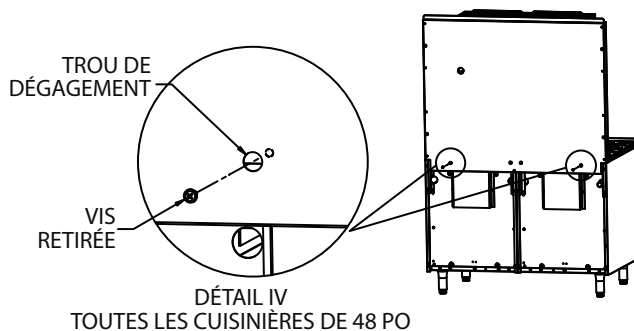


POUR CUISINIÈRES DE 48 PO AVEC 2 FOURS ÉCONOMISEURS D'ESPACE



DÉTAIL II

- Réinsérer les vis retirées à l'étape 1 à travers le trou de dégagement dans le panneau arrière comme illustré :



DÉTAIL IV
TOUTES LES CUISINIÈRES DE 48 PO

INSTALLATION (suite)

Modèle GIR60 – Cuisinières De 60 Po

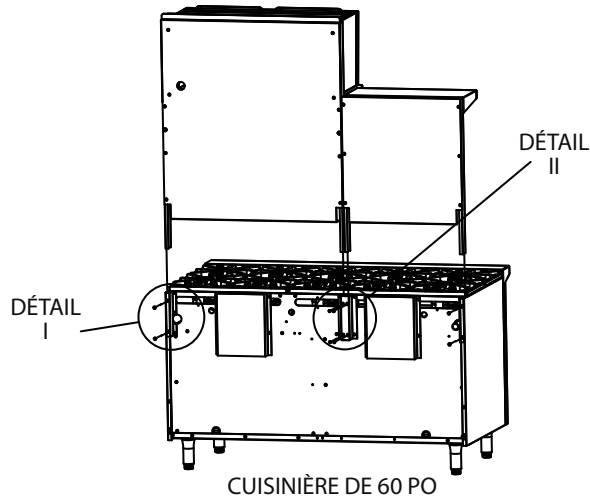
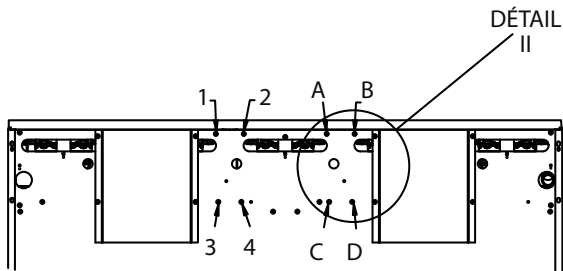
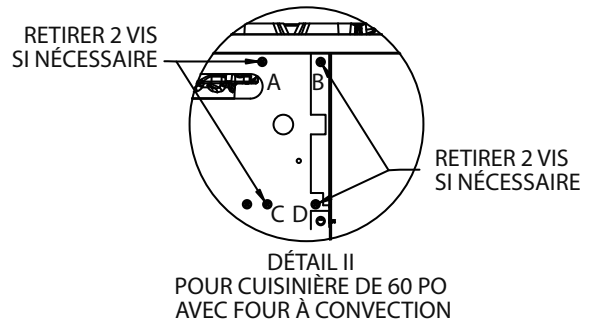
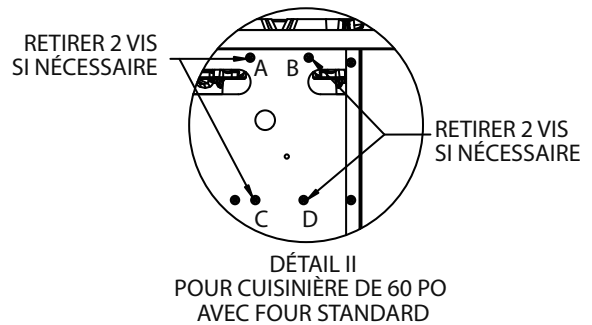
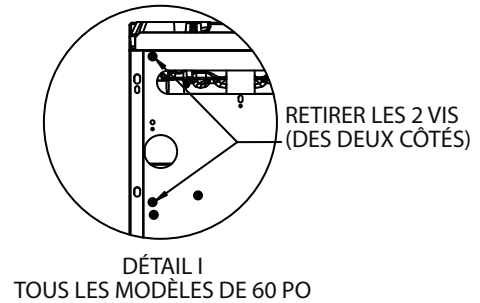


Figure 3 – Avec détails de l'emplacement définis pour une cuisinière de 60 pouces.

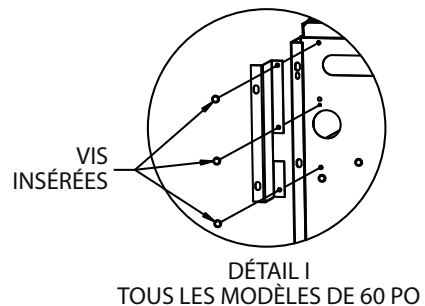
NOTA : Les instructions sont pour un montage de la salamandre du côté droit; pour un montage du côté gauche, suivre les mêmes instructions, mais utiliser les références 1, 2, 3 et 4 (à gauche du détail II, voir ci-dessous) au lieu de A, B, C et D pour le détail II dans les étapes suivantes.



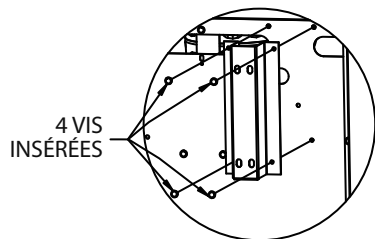
1. Retirer les vis de l'arrière du four des deux côtés de la cuisinière (détail I) et au centre (détail II) comme illustré :



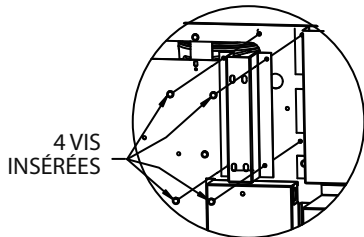
2. Installer les supports gauche et droit (pièce n° 4523226 et n° 4523227) en utilisant les 2 vis déposées à l'étape 1 (détail I) et une vis supplémentaire des deux côtés de la cuisinière et le support central (pièce n° 4523282) avec les quatre vis déposées à l'étape 1 (détail 2).



INSTALLATION (suite)

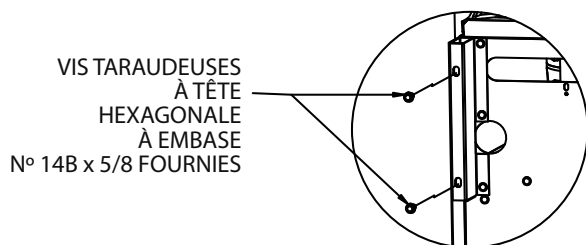


DÉTAIL II
POUR CUISINIÈRE DE 60 PO
AVEC FOUR STANDARD

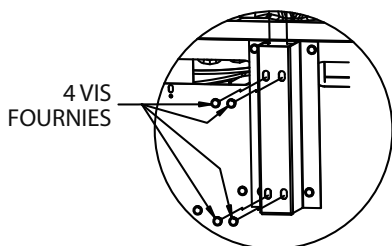


DÉTAIL II
POUR CUISINIÈRE DE 60 PO
AVEC FOUR À CONVECTION

3. Faire glisser la salamandre dans les supports installés à l'étape 2, voir figure 3.
4. Une fois la salamandre en place, la fixer aux deux côtés de la cuisinière avec les vis taraudeuses à tête hexagonale à embase n° 14B x 5/8 fournies (détail I) et le centre au support avec 4 des vis fournies (détail II).



DÉTAIL I
TOUS LES MODÈLES DE 60 PO



DÉTAIL II
TOUS LES MODÈLES DE 60 PO

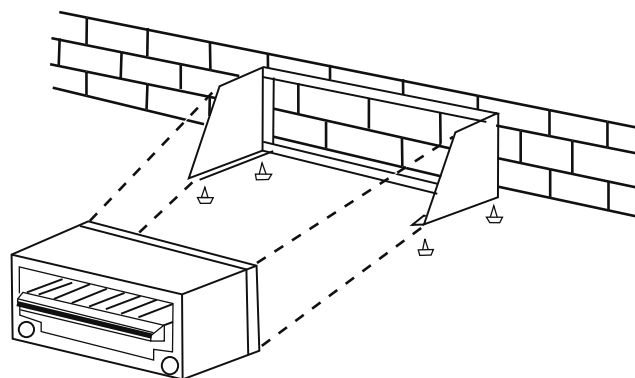
Salamandres Montées Sur Un Mur Ou Sur Un Plan De Travail

Modèle GIR36C

1. Le dégagement par rapport aux matériaux combustibles doit être de 6 pouces (152 mm) minimum à l'arrière et 6 pouces (152 mm) minimum des deux côtés.

L'appareil doit être positionné par rapport à la construction du bâtiment et aux autres équipements de façon à pouvoir y accéder. L'accès et les dégagements peuvent être nécessaires pour l'entretien et le nettoyage.

2. Les modèles pour plan de travail sont fournis avec des pieds de 4 po (102 mm). Mettre l'appareil de niveau avec un niveau de charpentier et effectuer les réglages avec les pieds filetés. S'assurer que le plan de travail peut supporter le poids de l'appareil avant son installation et qu'il est composé de matériaux non combustibles.
3. Au moment de l'installation, il faut tenir compte des raccords de gaz prévus en haut ou à l'arrière.
4. Si l'appareil doit être monté sur un mur non combustible, contacter les autorités locales pour obtenir les codes locaux.
5. Positionner, mettre de niveau et marquer l'emplacement du kit de montage mural assemblé.
6. Percer le mur (en repérant les poteaux muraux si nécessaire) pour installer les fixations convenables.
7. Percer les cornières en fer du kit de montage mural en fonction des trous percés dans le muré.
8. Fixer le kit de montage mural sur le mur.
9. Installer et fixer la salamandre avec les boulons fournis.



INSTALLATION (suite)

Ventilation Et Alimentation En Air

Une ventilation correcte est extrêmement importante pour un bon fonctionnement. La méthode idéale de ventilation pour une salamandre est une hotte correctement conçue, se prolongeant de six pouces (152 mm) de tous les côtés de l'appareil et située à six pieds six pouces (1 981 mm) du sol.

Une forte aspiration risque de créer une dépression dans la pièce. Pour qu'un système d'évacuation fonctionne correctement, de l'air de remplacement doit entrer dans la pièce d'où l'air est évacué. La quantité d'air évacuée doit être égale celle entrant dans la pièce (air d'appoint).

Les brûleurs à gaz et les veilleuses ont besoin de suffisamment d'air pour fonctionner et on ne doit pas placer d'objets encombrants devant ou au-dessus de la salamandre qui pourraient empêcher l'air d'entrer à l'avant de la salamandre.

Les notes suivantes sont destinées à donner une orientation générale. Pour des recommandations détaillées, se référer aux codes applicables dans le pays de destination.

NOTA 1 : La salle où se trouve l'appareil doit être ventilée de façon permanente. La surface minimale efficace de l'évent

est liée au débit calorifique nominal maximum de l'appareil et doit être de 4,5 cm² par kW (2,04 X 10⁻⁴ in² par Btu/h) au-delà de 7 kW. (23 900 Btu/h).

NOTA 2 : Les événements doivent être de dimensions suffisantes pour compenser les effets des ventilateurs d'aspiration des locaux.

POUR VOTRE SÉCURITÉ, ne jamais placer d'objets sur le dessus de la salamandre. La température au-dessus de la salamandre dépasse 1 000° F (538° C). Cela pourrait causer des brûlures graves et/ou un incendie et aussi obstruer la ventilation.

Dégagements

Le dégagement par rapport aux matériaux combustibles doit être de 6 po (152 mm) sur les côtés et à l'arrière. Un dégagement de 0,0 po par rapport à des matériaux non combustibles sur les côtés et à l'arrière est acceptable pour la salamandre.

Cet appareil est destiné à une utilisation sur des planchers/ plans de travail non combustibles seulement.

UTILISATION

Instructions D'allumage Des Veilleuses

1. Le robinet d'arrêt en ligne doit être en position d'ouverture.
2. Avec une mèche allumée, il est maintenant possible d'allumer les veilleuses qui sont situées à l'arrière du brûleur principal.
3. Pour allumer correctement les brûleurs, la flamme des veilleuses doit avoir une longueur d'environ 7/8 po. On trouve les robinets de réglage des veilleuses en faisant glisser le bac récepteur vers l'avant. Les robinets de réglage sont situés sur le tube collecteur qui passe à l'horizontale à l'arrière de l'appareil, derrière le bac récepteur. Un robinet est à l'arrière gauche et l'autre à l'arrière droit.

Pour régler la veilleuse, tourner la vis en laiton dans le sens inverse des aiguilles d'une montre pour augmenter la flamme de la veilleuse et dans le sens des aiguilles d'une montre pour la diminuer.

NOTA : La longueur de flamme des veilleuses ne devrait pas dépasser 7/8 po. Si la flamme est réglée trop haut, elle décolle des veilleuses ou crée des dépôts de carbone excessifs. Ne pas régler la flamme des veilleuses plus bas

que 7/8 po car cela peut retarder l'allumage du brûleur. L'allumage retardé pourrait causer des fissures dans les blocs de brûleur qui, dans ce cas, devraient être remplacés.

Fonctionnement Du Brûleur Principal

Tourner le bouton du brûleur principal en position « MAX » et vérifier immédiatement l'allumage.

ATTENTION Si l'allumage ne se fait pas après cinq secondes, fermer le robinet et attendre cinq minutes avant d'essayer de nouveau. Le gaz des veilleuses n'est pas coupé automatiquement. Il incombe à l'opérateur de vérifier l'allumage des brûleurs immédiatement après que le robinet des brûleurs a été ouvert..

Quand l'allumage se fait, une flamme bleue couvre la surface de la céramique pendant 10 à 15 secondes. Cette flamme disparaît et les tiges du brûleur deviennent rouges. Une fois que les brûleurs ont fonctionné pendant plusieurs minutes, tourner le robinet sur « MIN ». Les tiges de brûleurs cessent d'être rouges et la flamme va et vient à la surface de la céramique du brûleur.

UTILISATION (suite)

Période De Brûlage

Beaucoup de pièces utilisées dans la fabrication de l'équipement commercial sont recouvertes d'une fine couche protectrice d'huile mouvement. L'huile doit être brûlée avant d'utiliser l'équipement pour la préparation des aliments.

Une fois toutes les vérifications de démarrage et de sécurité terminées, tourner le robinet du brûleur en position «MAX». Il se produit de la fumée (brouillard bleuâtre). Cette procédure peut prendre plusieurs heures et peut s'étaler sur quelques jours.

Économies D'énergie

Ne pas gaspiller l'énergie en laissant les commandes sur les réglages de haute température pendant les périodes d'inactivité. Des réglages moins élevés garderont la salamandre chaude et prête pour la période d'utilisation suivante. Remettre le bouton du robinet de brûleur au réglage requis pour les périodes de forte charge.

Instructions D'extinction

Tourner les boutons des robinets du brûleur principal en position «OFF». Si l'appareil doit être arrêté pendant une période de temps prolongée, mettre en position d'arrêt le robinet manuel de la conduite (ce robinet n'est pas fourni par l'usine).

POUR VOTRE SÉCURITÉ, ne jamais placer d'objets sur le dessus de la salamandre. La température en haut de la salamandre dépasse 1 000°F. Cela pourrait causer des

brûlures graves et/ou un incendie et aussi obstruer la ventilation.

Réglages Du Brûleur Principal

Toutes les salamandres sont livrées avec des orifices de brûleur fixes assurant un débit calorifique de 20 000 Btu/h sur réglage «MAX» avec du gaz naturel sous une pression de 6,0 po C.E. (15 Mbars) ou du propane sous une pression de 10.0 po C.E. (25 Mbars).

Le réglage «MIN» peut être modifié en procédant de la façon suivante :

1. Tourner le bouton du robinet du brûleur sur le réglage «MIN» et retirer le bouton.
2. Insérer un petit tournevis plat dans la tige du robinet pour tourner la fente à l'intérieur de la tige. Tourner dans le sens des aiguilles d'une montre pour diminuer le débit de gaz et dans le sens inverse pour l'augmenter.

Le réglage est correct quand les tiges de brûleur ne rougeoient plus et quand la flamme va et vient à la surface de la céramique du brûleur.

Ce réglage a été effectué en usine; cependant, avec les changements de pression, ce réglage et celui des veilleuses peut avoir besoin d'être refait après l'installation.

Cela n'est pas considéré comme un défaut de fabrication et n'est pas garanti.

NOTA : Des ajustements de brûleur devraient seulement être faits par un technicien autorisé de service.

ENTRETIEN ET NETTOYAGE

AVERTISSEMENT : en cas de détection d'odeur de gaz, l'alimentation en gaz doit être interrompue au robinet d'arrêt principal et la compagnie de gaz locale ou l'agence de service agréée doit être contactée pour effectuer les réparations nécessaires.

Un programme de méthodes de nettoyage adaptées contribuera à un fonctionnement continu sans problème de cet équipement ou de tout autre équipement de qualité.

Chaque Jour

La grille de la salamandre doit être essuyée chaque jour pendant qu'elle est encore chaude, avec un torchon épais ou un autre matériau absorbant la graisse afin d'éliminer la graisse et les aliments brûlés avant qu'ils ne brûlent dans la grille. Éliminer les produits brûlés comme la graisse ou les aliments carbonisés avec une brosse métallique dure. **NE PAS UTILISER DE LAINE D'ACIER.** Des petites particules peuvent être laissées sur la surface de la grille et risquent pénétrer dans les produits alimentaires. La grille doit être lavée soigneusement avec une brosse métallique et une solution très chaude de détergent doux ou de savon. Rincer à l'eau claire chaude.

Chaque Mois

Lubrifier les robinets et roulements si nécessaire. À cause de

l'emplacement habituel de la salamandre qui est montée au-dessus d'une cuisinière avec des plaques ouvertes, la chaleur provenant des plaques ouvertes fait sécher la graisse de lubrification à l'intérieur des robinets. Quand on remarque que le robinet devient plus dur à tourner, il est alors temps de le faire lubrifier. Nous suggérons de faire exécuter ce type de travail par un agent de service agréé connaissant bien l'appareil et ainsi que le gaz naturel et le propane.

Nettoyage Extérieur

Établir un calendrier régulier. Les déversements devront être essuyés immédiatement.

1. Essuyer la surface nettoyable exposée quand elle est froide avec de l'eau chaude et un détergent doux. Les résidus rebelles peuvent être éliminés avec un tampon à récurer non métallique. Bien essuyer avec un chiffon propre.
2. L'acier inoxydable devra être nettoyé avec un détergent doux, un chiffon doux et de l'eau chaude. S'il est nécessaire d'utiliser un tampon à récurer non métallique, toujours frotter dans le sens du grain du métal pour éviter de rayer. Utiliser un produit de nettoyage pour acier inoxydable à base d'eau (comme Drackett Twinkle), si l'on veut obtenir un brillant superbe



INSTRUCCIONES DE INSTALACIÓN Y OPERACIÓN

LAS PARRILLAS SALAMANDRA INFRARROJAS SERIE G DE GARLAND



PARA SU SEGURIDAD:
NO ALMACENE O UTILICE GASOLINA U
OTROS VAPORES O LÍQUIDOS INFLAMABLES
EN LAS CERCANÍAS DE ESTE O CUALQUIER
OTRO ARTEFACTO.

ADVERTENCIA:
LA INSTALACIÓN, AJUSTE, MODIFICACIÓN,
SERVICIO O MANTENIMIENTO INCORRECTO
PUEDEN OCASIONAR DAÑOS A
LA PROPIEDAD, LESIONES
O LA MUERTE. LÉASE MINUCIOSAMENTE
LAS INSTRUCCIONES DE INSTALACIÓN,
OPERACIÓN Y MANTENIMIENTO
ANTES DE INSTALAR O DAR
MANTENIMIENTO A ESTE EQUIPO.

NO OBSTRUYA EL FLUJO DE AIRE DE
COMBUSTIÓN Y VENTILACIÓN A ESTE ARTEFACTO.

LEA TODAS LAS SECCIONES DE ESTE MANUAL Y
GUÁRDELO PARA FUTURAS CONSULTAS.

ESTE PRODUCTO HA SIDO CERTIFICADO COMO
EQUIPO DE COCINA COMERCIAL Y DEBE SER
INSTALADO POR PERSONAL PROFESIONAL SEGÚN
LO ESPECIFICADO.

EN EL COMMONWEALTH DE MASSACHUSETTS
ESTE PRODUCTO DEBE SER INSTALADO POR UN
PLOMERO O INSTALADOR DE SISTEMAS DE GAS
AUTORIZADO.

Para Su Seguridad:
Coloque en una ubicación prominente las
instrucciones a seguirse en caso de que el
usuario huela gas. Esta información se obtendrá
consultando a su proveedor de gas local.

A los usuarios se les advierte que el mantenimiento y las reparaciones deben ser realizados por un agente de servicio autorizado de Garland que utilice repuestos genuinos de Garland. Garland no tendrá ninguna obligación con respecto a cualquier producto que haya sido incorrectamente instalado, ajustado, operado o no mantenido de acuerdo con los códigos nacionales y locales o las instrucciones de instalación provistas con el producto, o cualquier producto al que se le haya desfigurado, borrado o quitado su número de serie, o que ha sido modificado o reparado utilizando repuestos no autorizados o por agentes de servicio no autorizados. Para una lista de agentes de servicio autorizados, por favor consulte el sitio Web de Garland en <http://www.garland-group.com>. La información contenida aquí, (incluso el diseño y las especificaciones de partes), puede ser reemplazada y esta sujeta a cambios sin previo aviso.

GARLAND COMMERCIAL RANGES, LTD.

1177 Kamato Road, Mississauga, Ontario, CANADA L4W 1X4
Teléfono 905-624-0260 | Fax 905-624-5669 | www.garland-group.com

USA Sales, Parts and Service
Canadian Sales
Canada or USA Parts/Service
International Sales and Service

1-800-424-2411
1-888-442-7526
1-800-427-6668
www.ManitowocFoodservice.com



INFORMACIÓN IMPORTANTE

ADVERTENCIA:

Este producto contiene sustancias químicas que el Estado de California las conoce como causantes de cáncer y/o defectos de nacimiento u otros daños reproductivos. La instalación y el mantenimiento de este producto podrían exponerle a partículas aerotransportadas de lana de vidrio / fibras de cerámica. Es un hecho conocido por el Estado de California que la inhalación de partículas aerotransportadas de la lana de vidrio / fibras de cerámica causan cáncer. La operación de este producto podría exponerle al monóxido de carbono si no está debidamente ajustado. Es un hecho conocido por el Estado de California que la inhalación de monóxido de carbono causa defectos de nacimiento u otros daños reproductivos.

Mantenga la zona del artefacto libre y alejada de combustibles.

INFORMACIÓN IMPORTANTE	34
INTRODUCCIÓN	36
Desembalaje	36
Placa De Características	36
DIMENSIONES Y ESPECIFICACIONES	37
INFORMACIÓN GENERAL	38
Desempeño Y Construcción De La Parrilla Salamandra	38
INSTALACIÓN	38
Requisitos De Los Códigos Nacionales	38
Conexiones De Gas	39
Kit Opcional De Interconexión	40
Instalación De Una Parrilla Salamandra A Una Cocina	42
Cocinas De 36"– Modelo GIR36	42
Cocinas De 48"– Modelo GIR48	43
Cocinas De 60"– Modelo GIR60	45
Parrillas Salamandra Fijadas A Paredes O Sobre Encimeras	46
Modelo GIR36C	46
Ventilación Y Suministro De Aire	47
Separaciones	47
OPERACIÓN	47
Instrucciones Para Encender Los Pilotos	47
Operación Del Quemador Principal	47
Período De Quemado	48
Conservación De Energía	48
Instrucciones De Apagado	48
Ajustes Al Quemador Principal	48
MANTENIMIENTO Y LIMPIEZA	49
Diariamente	49
Mensualmente	49
Limpieza Exterior	49

INTRODUCCIÓN

Las unidades incluidas en este manual son:

Modelos de parrillas salamandra: GIR36C, GIR36,
GIR48,
GIR60

Todas las unidades son despachadas completamente ensambladas con el regulador de presión embalado dentro de la bandeja de goteo de la unidad. Las unidades son inspeccionadas en la fábrica antes de su envío.

Al artefacto deberá dársele un cuidado y mantenimiento periódico. Las inspecciones periódicas por el distribuidor o una agencia de servicio calificada son recomendadas.

Este producto ha sido certificado como un equipo de cocina comercial y debe ser instalado por personal profesional según lo especificado.

Desembalaje

Compruebe que el embalaje no haya sufrido daños durante el tránsito. Con cuidado saque la unidad del embalaje y vuelva a comprobar que no existan daños. Si han ocurrido daños, infórmelo inmediatamente al transportista.

Deben quitarse de las unidades los alambres de empaque, o los amarres para retener el material de embalaje, así como cualquier material protector que cubra el acero inoxidable.

NO quite ninguna etiqueta de advertencia fijada permanentemente o la placa de características del artefacto, puesto que ello puede invalidar la garantía del fabricante.

El tipo de gas y la presión de suministro para las cuales el equipo fue ajustado en la fábrica están indicados en la placa de características y en el embalaje. El tipo y presión del gas suministrado a la unidad deben ser los especificados.

Placa De Características

La placa de características está fijada al panel frontal de la parrilla salamandra y está ubicada debajo de la bandeja de goteo desmontable

Al escribir a la fábrica o al centro local autorizado de servicio de fábrica respecto a repuestos o a problemas de mantenimiento, asegúrese de referirse a la unidad particular mediante el número de modelo correcto (incluso las letras y números de prefijo y sufijo) y el número de serie de la garantía. La placa de características contiene dicha información.

La placa de características también contiene el tipo de gas y la presión de suministro, así como la información respecto al consumo nominal de todos los quemadores.

Si tuviese cualquier pregunta acerca de la instalación, uso, cuidado o mantenimiento del producto, escriba o llame a nuestro Departamento de Servicio de Productos.

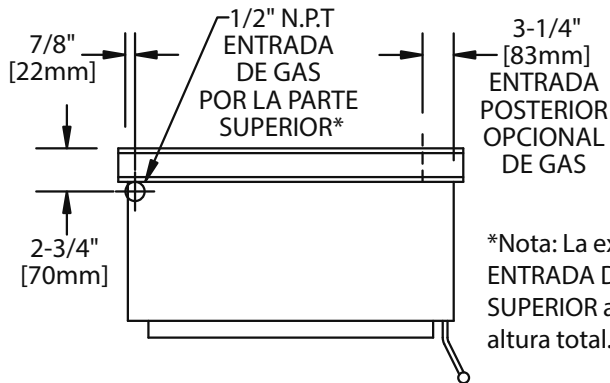
DIMENSIONES Y ESPECIFICACIONES

Modelo	Ancho	Usar Con Modelos Serie G	Información De Despacho		Espacios Libres De Entrada: Pulg. (mm)	
			Pies. cub.	Ibs/Kg	Embalado	Desembalado
GIR36C	34" (864mm)	N/A	21	170/77	29(737)	21(533)
GIR36	35-1/2" (900mm)	G36	38.2	200/91	29(737)	21(533)
GIR48	47-1/4"(1200mm) (35-1/2" /900mm parrilla montada centralmente con tubo de chimenea de 47-1/4"/1200mm)	G48	60.6	230/105	29(737)	21(533)
GIR60*	59" (1500mm) parrilla + tubo de chimenea de 24"/600mm c/anaquel	G60	60.6	260/118	29(737)	21(533)

* Nota: Parrilla salamandra en el lado izquierdo. Lado derecho opcional

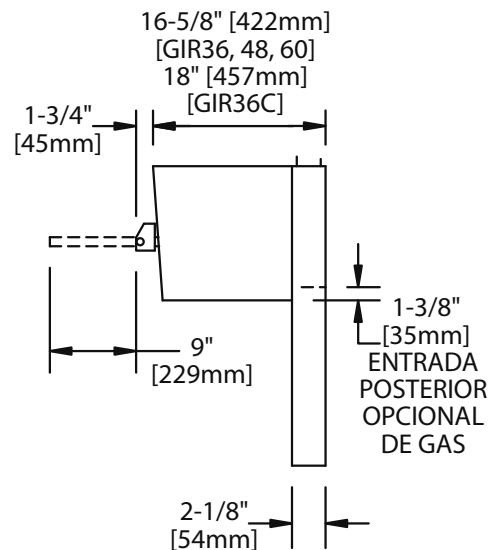
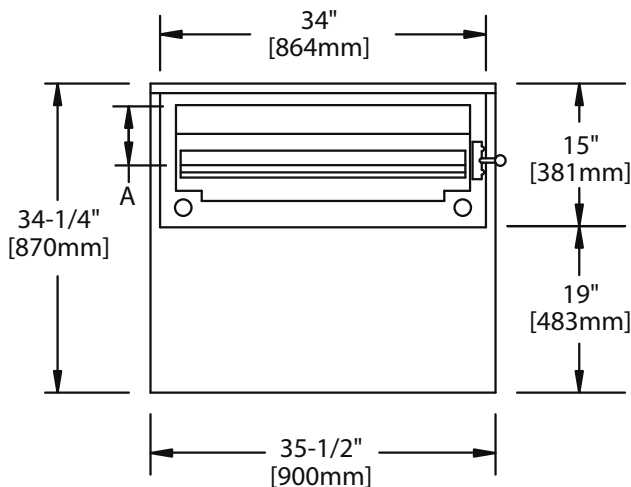
Presión Operacional		Espacios libres de instalación		Consumo Nominal
Natural	Propano	Lados	Posterior	
6" CDA (15mbar)	10" CDA (25mbar)	6"(152mm)	6"(152mm)	

Los consumos nominales de gas mostrados son para instalaciones instaladas a alturas de hasta 2000 pies., (610 m), por encima del nivel del mar. Por favor especifique cuando se usará a altitudes mayores de 2000 pies. Por favor especifique el tipo de gas al colocar el pedido.



*Nota: La extensión de la pipa de ENTRADA DE GAS POR LA PARTE SUPERIOR agrega 4" (258m m) a la altura total.

Posición De La Rejilla	Altura De La Apertura A La Superficie De Cocción (A)
3 Más Alta	2-3/4" (70mm)
2 Media	3-1/2" (87mm)
1 Más Baja	4-3/8" (111mm)



Los productos de Garland no están aprobados o autorizados para uso doméstico o residencial, y han sido concebidos exclusivamente para aplicaciones comerciales. Garland no proporcionará servicio, garantía, mantenimiento o apoyo de ningún tipo a aplicaciones que no sean comerciales.

INFORMACIÓN GENERAL

La Parrilla Salamandra Infrarroja de gas para montar en cocinas está diseñada para que encaje perfectamente en las cocinas Garland de la serie G.

Los productos de Garland no están aprobados o autorizados para uso doméstico o residencial, y han sido concebidos exclusivamente para aplicaciones comerciales. Garland no proporcionará servicio, garantía, mantenimiento o apoyo de ningún tipo a aplicaciones que no sean comerciales.

Desempeño Y Construcción De La Parrilla Salamandra

Dos válvulas de gas tipo alto-bajo proporcionan el control individual de los (2) quemadores infrarrojos de gas tipo atmosférico de 20,000 BTU/hora de la parrilla salamandra. La posición "LO" (baja) es ajustable para la mayoría de las situaciones de presión de gas en el campo. Los quemadores infrarrojos de alta eficiencia proporcionan un precalentamiento rápido y una producción uniforme. El singular diseño atmosférico elimina la necesidad de ventiladores y filtros. El calor es dirigido hacia abajo a la parrilla grande de asado de más 380 pulgadas cuadradas y fabricada para servicio pesado. La rejilla se saca fácilmente del conjunto de la rejilla equilibrado con muelles. El conjunto de la rejilla se saca rodando para facilitar la carga y descarga,

y se sube y baja con cierre positivo en tres posiciones. El deflector de grasa a todo lo ancho, fijado a la parte de abajo del conjunto de la rejilla, canaliza los pringues calientes a una bandeja de goteo de gran capacidad incluso cuando el conjunto de la rejilla está rodado hacia afuera. El conjunto de la rejilla y la bandeja de goteo son fácilmente retirados para su limpieza.

Las parrillas salamandra Modelos GIR36 y GIR48 son de 36" (900 mm) y 48" (1200 mm) de ancho respectivamente y están apoyadas sobre soportes de troquelado pesado para acoplarlas a cocinas.

El modelo GIR60 se instala en una cocina Serie G de 60" (1500 mm) de ancho e incluye un anaquel de 24" (600 mm) de ancho.

El modelo GIR36C es una unidad para colocarse sobre encimeras y viene equipada con piernas de 4" (102 mm) de acero inoxidable; puede fijarse a una pared con un kit opcional para montaje en paredes. La parte superior y los lados de todos los modelos de parrillas salamandra son de acero inoxidable. En los modelos que se acoplan a cocinas, los fondos de acero inoxidables y pantallas térmicas son estándar; los mismos son opcionales para el modelo GIR36C.

INSTALACIÓN

Este producto ha sido certificado como equipo de cocina comercial y debe ser instalado por personal profesional según lo especificado. ESTE ARTEFACTO NO ES RECOMENDADO PARA INSTALACIONES RESIDENCIALES.

Sugerimos que la instalación, el mantenimiento y las reparaciones sean realizadas por una agencia de servicio local autorizada de Garland/US Range.

Requisitos De Los Códigos Nacionales

No se puede enfatizar de más la importancia de una instalación correcta de los equipos de cocina comerciales a gas. El desempeño apropiado del equipo depende en gran medida en que la instalación cumpla con las especificaciones del fabricante. La instalación debe cumplir con los códigos locales o, en ausencia de estos, con el Código Nacional de Gas Combustible, NFPA54 / ANSI Z223.1 o su última edición, el Código de Instalaciones de Gas Natural, CAN/GCA-B149.1, o el Código de Instalaciones de Propano, CAN/CGA-B149.2, o sus últimas ediciones, según sea el caso.

INSTALACIÓN (continuación)

Conexiones De Gas



A todo artefacto fijo (no móvil) DEBE conectársele una válvula manual de corte de gas corriente arriba del artefacto para proporcionar un medio de aislamiento para efectos de mantenimiento o limpieza. Se debe proporcionar una unión o un medio similar de desconexión entre la válvula de gas y el artefacto.

Una válvula manual debe instalarse en el suministro de gas a la cocina para permitir aislar dicho suministro en una emergencia. Siempre que sea práctico, la misma deberá ubicarse o bien fuera de la cocina o cerca de una salida en una posición fácilmente accesible.

Cuando ello no sea práctico, se instalará un sistema automático de válvula de aislamiento que pueda accionarse desde una posición fácilmente accesible o cerca de la salida.

En los sitios donde se instale una válvula de aislamiento manual o donde el sistema automático puede ser reinicializado, un aviso DEBE ser colgado que indique:

"TODO LOS QUEMADORES Y VÁLVULAS PILOTO CORRIENTE ABAJO DEBEN ESTAR APAGADOS ANTES DE INTENTAR RESTABLECER EL SUMINISTRO. DESPUÉS DE HABER ESTADO CERRADO POR UN LARGO PERÍODO, PURGUE ANTES DE RESTABLECER EL SUMINISTRO DE GAS."

Antes de ensamblar y conectar el artefacto, compruebe el suministro de gas.

- A. El tipo de gas para el cual la unidad está equipada está estampado en la placa de características ubicado en el panel delantero inferior; simplemente saque la bandeja de goteo para acceder a ella fácilmente. Conecte una unidad estampada "NAT" únicamente a gas natural; conecte aquellas estampadas "PRO" únicamente a gas propano.
- B. Si éste es un equipo adicional o un reemplazo, solicítele a un técnico de gas calificado que compruebe la presión de gas para asegurarse de que las instalaciones de gas existentes (tubería del medidor, etc.) suministrarán el gas a la unidad con una caída de presión no mayor de 1/2 pulgada de columna de agua.

NOTA: al comprobar la presión, asegúrese de que todos los demás equipos en la misma línea de gas estén funcionando. Un regulador de presión es suministrado con las Parrillas Infrarrojas Garland. El regulador viene preajustado para suministrar el gas a la presión mostrada en la placa de características.

- C. El artefacto y su válvula de cierre individual (suministrada por otros) deben desconectarse del sistema de tubería de suministro de gas durante cualquier prueba de presión de dicho sistema a presiones superiores a 1/2" psi (3.45 kPa).
- D. El artefacto debe ser aislado del sistema de tubería de suministro de gas cerrando su válvula individual de cierre manual (suministrada por otros) durante cualquier prueba de presión del sistema de tubería de suministro de gas a presiones de prueba iguales a o menores de 1/2 psi (3.45 kPa).
- E. La conexión del suministro de gas se hace bien sea por la esquina superior izquierda trasera o por la esquina inferior derecha trasera, según como la unidad haya sido pedida. Un tipo aprobado de válvula manual fácilmente accesible deberá ser instalada en cada línea de abastecimiento. Compruebe que no existan fugas - **NO UTILICE UNA LLAMA ABIERTA.**
- F. Una toma para la medición de presión es suministrada con las unidades y está instalada en el tubo distribuidor. Debe retirarse la bandeja de goteo para usar la toma de medición de presión. La presión de gas debe ser comprobada cuando la unidad quede instalada, para asegurarse de que la presión de gas de la unidad sea la misma que la especificada en la placa de características. Si fuese necesario, la presión deberá ajustarse con el regulador de presión suministrado.

NOTA: el regulador de presión está ubicado en la parte superior izquierda trasera o la inferior derecha trasera de la parrilla salamandra.

- G. Si es una instalación completamente nueva, pídale a un técnico de gas calificado que revise el tamaño del medidor y la tubería para asegurarse de que a la unidad se le suministre una cantidad suficiente de gas a la presión especificada para la operación de unidad.
- H. Asegúrese de que las tuberías, uniones y conexiones nuevas han sido instaladas de manera limpia y que han sido purgadas, de modo que ningún compuesto de tubería, rebabas, etc., obstruya los pilotos, válvulas y/o controles. Utilice un sellador de uniones de tubos que sea resistente al gas licuado de petróleo.

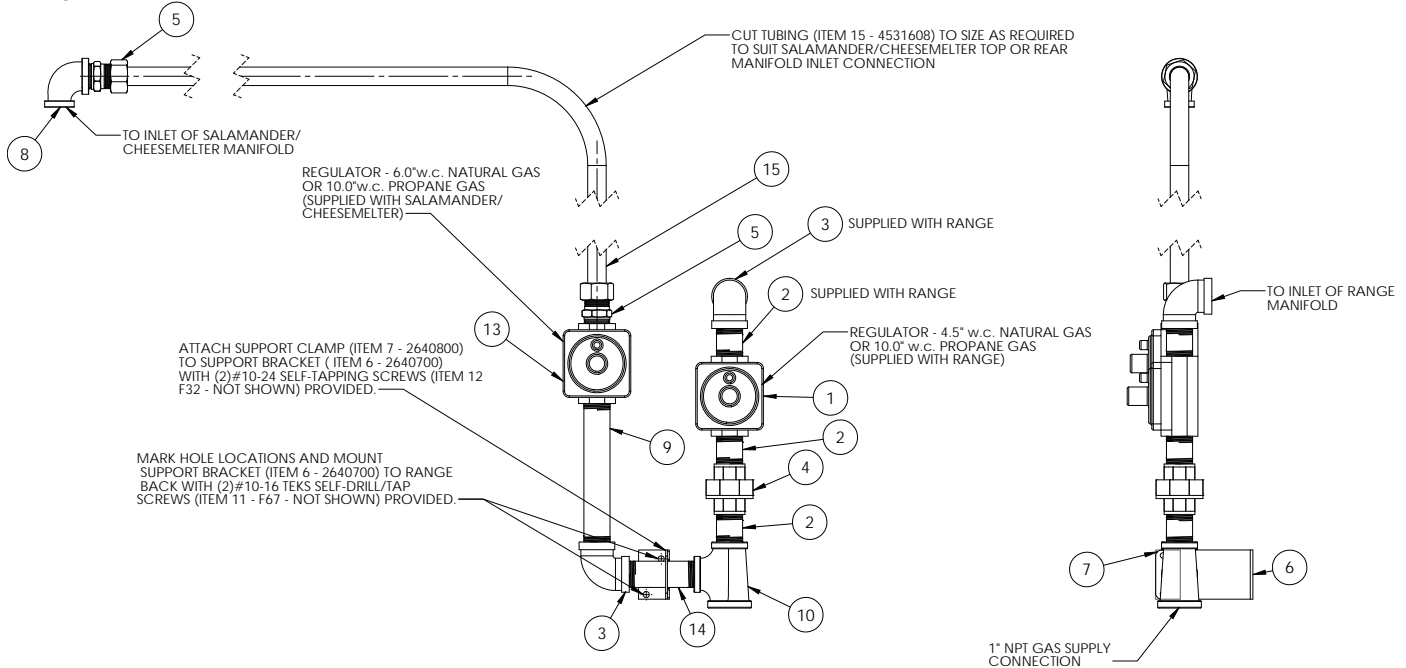
ADVERTENCIA Revise que las conexiones de gas no tengan fugas. Use una solución de jabón o medios similares. ¡NO USE UNA LLAMA ABIERTA!

INSTALACIÓN (continuación)

Kit Opcional De Interconexión

El suministro de gas a las parrillas salamandra montadas sobre cocinas puede estar interconectado con el suministro a la cocina, de manera que ambas unidades sean suministradas de una sola conexión de gas. La tubería de suministro de gas deberá tener un diámetro mínimo de 1" (25 mm) para asegurar que haya disponible suficiente capacidad de gas a la presión especificada para suministrar el consumo nominal combinado total de ambos artefactos. El kit opcional de interconexión consta de los componentes mostrados a continuación.

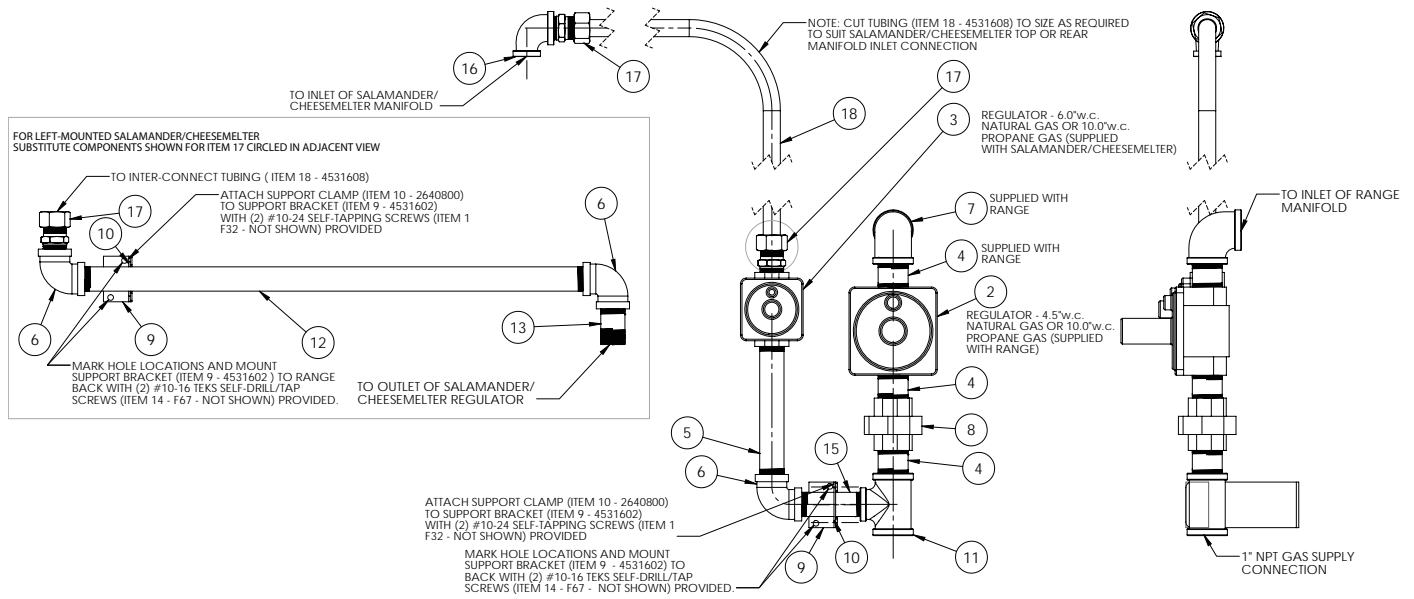
Kit Opcional De Interconexión De Gas # 4531606 (36")



PIEZA	DESCRIPCIÓN	CANTIDAD (36")
1	4.5" W.C 3/4" NPT, Regulator Natural Gas, supplied with Range	1
	3/4" ISO 7-1, Regulator Natural Gas, supplied with Range	1
	10" W.C 3/4" NPT, Regulator Propane Gas, supplied with Range	1
	3/4" ISO 7-1, Regulator Propane Gas, supplied with Range	1
2	Nipple, 3/4" NPT x 1/2" (one supplied with range)	3
3	Elbow, 90deg, 3/4" NPT (one supplied with range)	2
4	Union, 3/4" NPT	2
5	3/4" CC x 3/4" NPT Straight Fitting	2
6	Bracket, Pipe Support	1
7	Clamp, Pipe Support Bracket	1
8	Reducing Elbow, 90deg, 3/4" NPT x 1/2" NPT	1
9	Nipple, 3/4" NPT x 6.5"	1
10	Reducing Tee, 3/4" NPT x 3/4" NPT x 1"	1
11	Screw, #10-16 x 1/2" Hex, Washer Head, Tek's Self-Drill/Tap (not shown)	2
12	Screw, #10-24 x 1/2" Pan Head, Self-Tap, Type F (not shown)	2
13	6" W.C 3/4" NPT, Regulator Natural Gas, supplied with Salamander/Cheesemelter	1
	10" W.C 3/4" NPT, Regulator Propane Gas, supplied with Salamander/Cheesemelter	1
14	Nipple, 3/4" NPT x 3.5"	1
15	Tubing 3/4"	1

INSTALACIÓN (continuación)

Kit Opcional De Interconexión De Gas # 4531606 (48"/60")



PIEZA	DESCRIPCIÓN	CANTIDAD (48"/60")
1	Screw, #10-24 x 1/2" Pan Head, Self-Tap, Type F (not shown)	4
2	4.5"W.C 1"NPT, Regulator Natural Gas, supplied with Range	1
	1" ISO 7-1, Regulator Natural Gas, supplied with Range	1
	10"W.C 1"NPT, Regulator Propane Gas, supplied with Range	1
	1" ISO 7-1, Regulator Propane Gas, supplied with Range	1
3	6"W.C 3/4" NPT, Regulator Natural Gas, supplied with Salamander/Cheesemelter	1
	10"W.C 3/4" NPT, Regulator Propane Gas, supplied with Salamander/Cheesemelter	1
4	Nipple, 1" NPT x 2" (one supplied with range)	3
5	Nipple, 3/4" NPT x 6.5"	1
6	Elbow, 90deg, 3/4" NPT	3
7	Elbow, 90deg, 1" NPT (supplied with range)	1
8	Union, 1" NPT	1
9	Bracket, Pipe Support 48/60	2
10	Clamp, Pipe Support Bracket	2
11	Reducing Tee, 1" NPT x 1" NPT x 3/4"	1
12	Nipple, 3/4" NPT x 22.75"	1
13	Nipple, 3/4" NPT x 2"	1
14	Screw, #10-16 x 1/2" Hex, Washer Head, Tek's Self-Drill/Tap (not shown)	4
15	Nipple, 3/4" NPT x 3.5"	1
16	Reducing Elbow, 90deg, 3/4" NPT x 1/2" NPT	1
17	3/4"CC x 3/4" NPT Straight Fitting	2
18	Tubing 3/4"	1

SEGURIDAD PRIMERO

Use técnicas apropiadas
para levantar

Instalación De Una Parrilla Salamandra A Una Cocina

NOTA: debe haber un fácil acceso a la parte posterior de la cocina.

Cocinas De 36" – Modelo GIR36

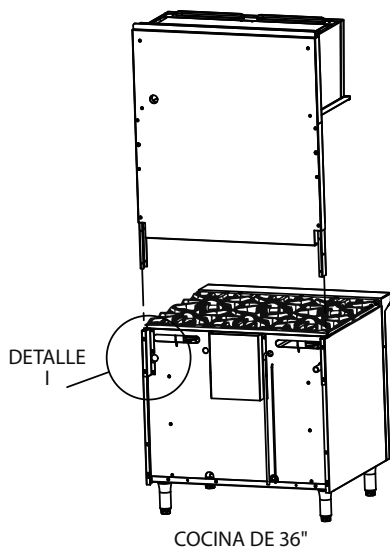
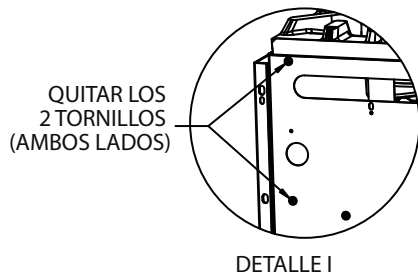
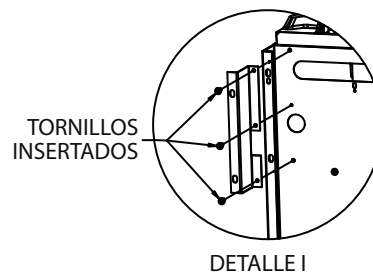


Figura 1 – Con detalle de área definido para cocinas de 36 pulgadas.

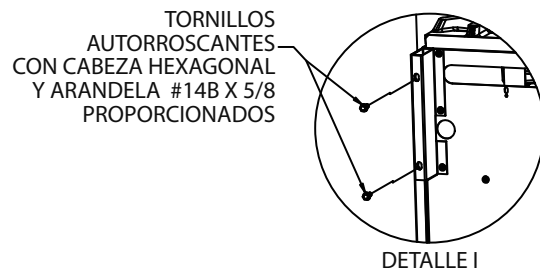
1. Quite los tornillos de la parte trasera del horno (a ambos lados de la cocina) según se muestra:



2. Instale las ménsulas de soporte izquierdas y derechas (parte # 4523226 y 4523227) insertando de nuevo los 2 tornillos retirados en el paso 1 y un tornillo adicional (a ambos lados de la cocina).

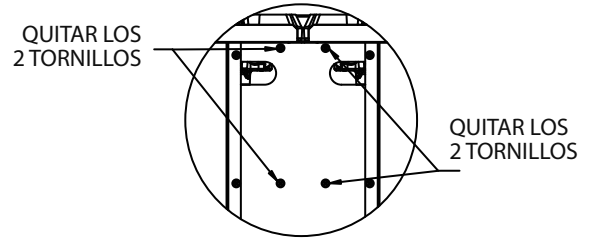
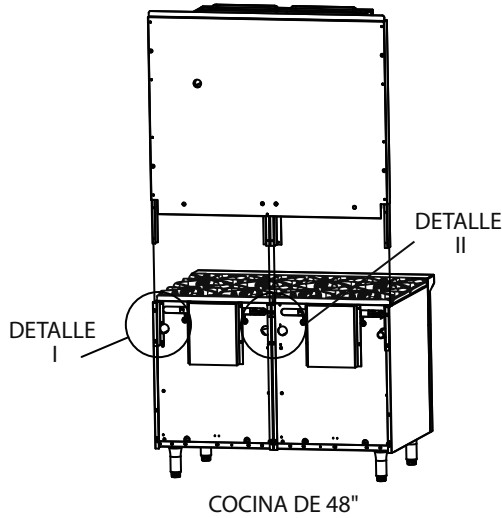


3. Deslice la parrilla salamandra hacia abajo sobre las ménsulas de soporte instaladas en el paso 2; ver la figura 1.
4. Una vez que la parrilla salamandra esté en su lugar, fije la unidad a ambos lados de la cocina con los tornillos autorroscantes con cabeza hexagonal y arandela #14B x 5/8 proporcionados.

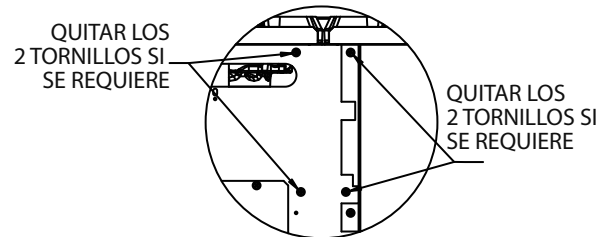


INSTALACIÓN (continuación)

Cocinas De 48" – Modelo GIR48



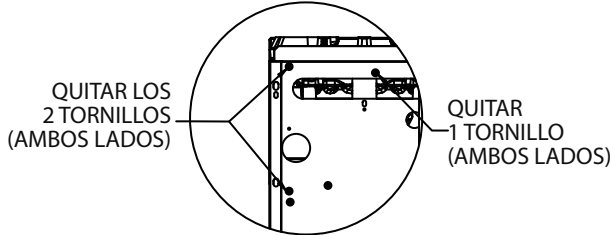
DETALLE II COCINAS DE 48" CON HORNO CONVENCIONAL Y ESPACIO DE ALMACENAJE



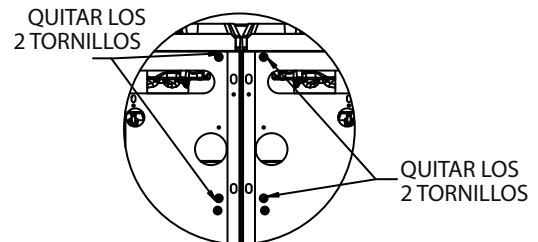
DETALLE II COCINAS DE 48" CON HORNO DE CONVECCIÓN Y ESPACIO DE ALMACENAJE

Figura 2 – Con detalle de área definido para cocinas de 48 pulgadas.

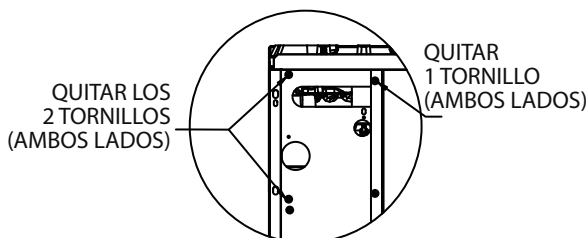
- 1 Quite los tornillos (un total de 10) de la parte trasera del horno a ambos lados de la cocina (detalle I) y del centro (detalle II) como se muestra para cada modelo de cocina:



DETALLE I COCINAS DE 48" CON HORNO CONVENCIONAL O DE CONVECCIÓN Y ESPACIO DE ALMACENAJE

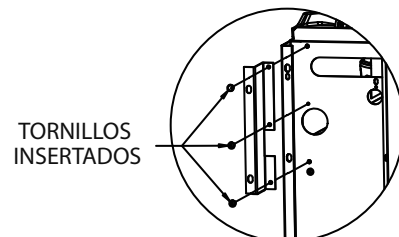


DETALLE II PARA COCINAS DE 48" CON 2 HORNOS AHORRADORES DE ESPACIO



DETALLE I PARA COCINAS DE 48" CON 2 HORNOS AHORRADORES DE ESPACIO

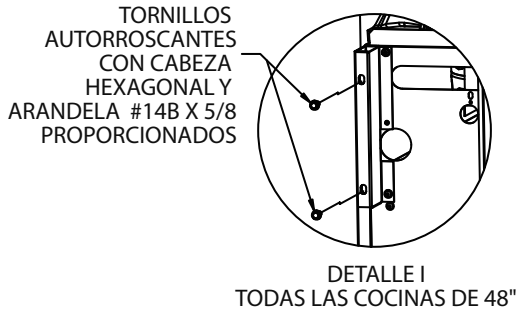
2. Para todas las cocinas de 48" instale las ménsulas de soporte izquierdas y derechas (parte # 4523226 y 4523227) insertando de nuevo los 2 tornillos retirados en el paso 1 y un tornillo adicional (a ambos lados de la cocina).



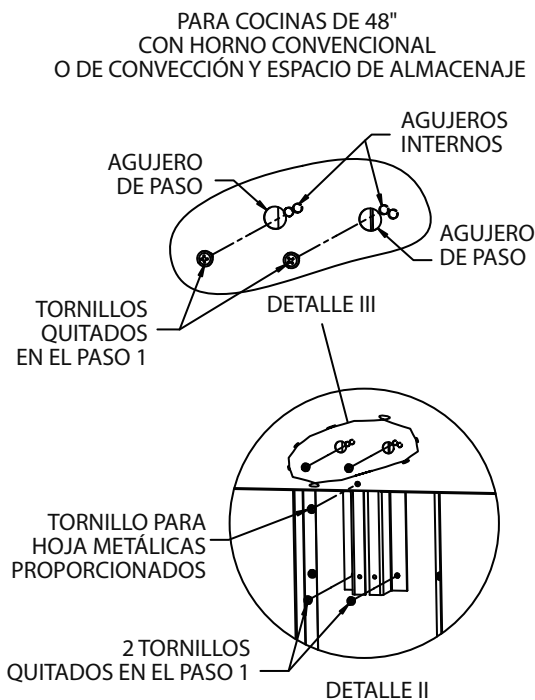
DETALLE I PARA TODAS LAS COCINAS DE 48"

INSTALACIÓN (continuación)

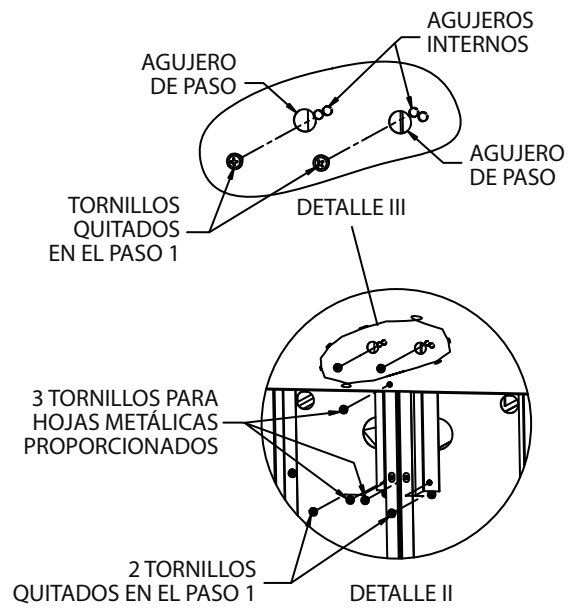
- Deslice la parrilla salamandra hacia abajo sobre las ménsulas de soporte instaladas en el paso 2; ver la figura 2. NOTA: En cocinas con 2 hornos ahorradores de espacio, el poste central debe deslizarse dentro de los canales centrales incorporados a la parte trasera de la unidad.
- Una vez que la parrilla salamandra esté en su lugar, fije la unidad a ambos lados de la cocina con los tornillos autorroscantes con cabeza hexagonal y arandela #14B x 5/8 proporcionados.



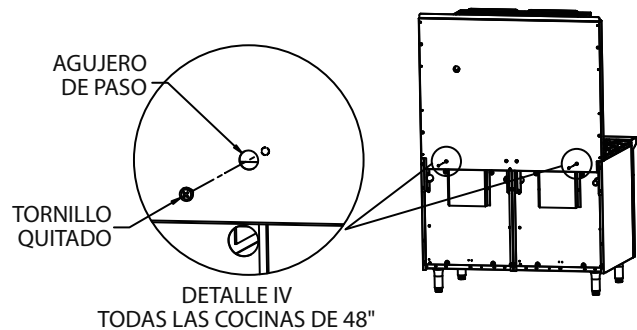
- Para el apoyo central, (detalle II) vuelva a insertar de nuevo los tornillos quitados en el paso 1 o con los tornillos para hojas metálicas proporcionados como se muestra en los detalles II y III, insertando los tornillos para el detalle III a través de los agujeros de paso en el panel trasero.



PARA COCINAS DE 48" CON
2 HORNOS AHORRADORES DE ESPACIO



- Vuelva a insertar los tornillos que se quitaron en el paso 1 a través del agujero de paso en el panel trasero tal como se muestra:



INSTALACIÓN (continuación)

Cocinas De 60" – Modelo GIR60

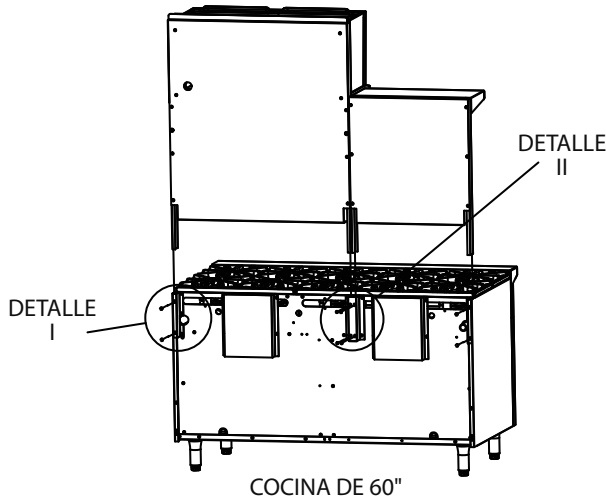
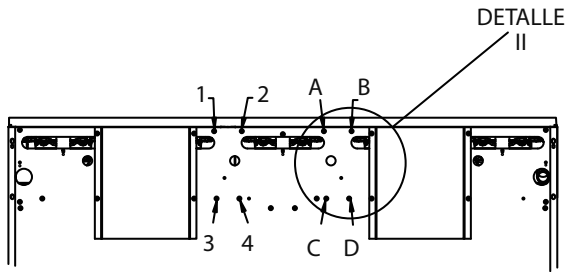
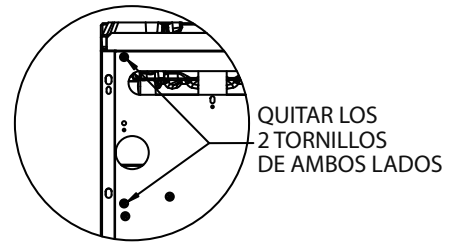


Figura 3 – Con detalle de área definido para cocinas de 60 pulgadas.

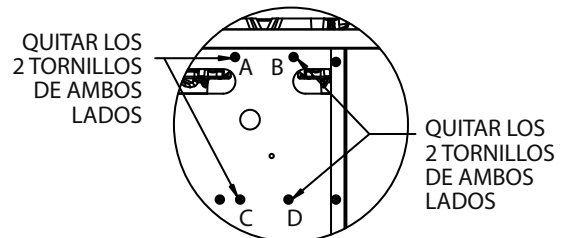
NOTA: las instrucciones son para montar la parrilla salamandra en el lado derecho; para montarla en el lado izquierdo siga las mismas instrucciones excepto que debe usar las referencias 1, 2, 3, y 4 (a la izquierda del detalle II abajo) en lugar de A, B, C, D en el detalle II en los pasos siguientes.



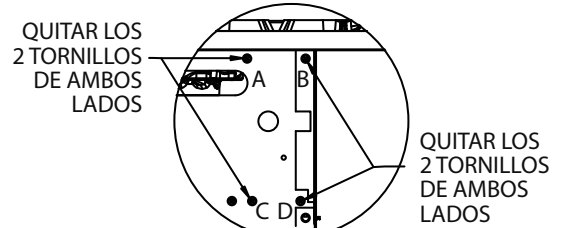
1. Quite los tornillos de la parte trasera del horno a ambos lados de la cocina (detalle I) y del centro (detalle II) como se muestra:



DETALLE I
TODOS LOS MODELOS DE 60"

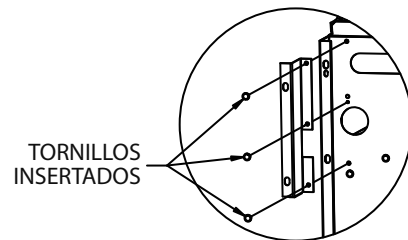


DETALLE II
PARA COCINAS DE 60"
CON HORNO CONVENCIONAL



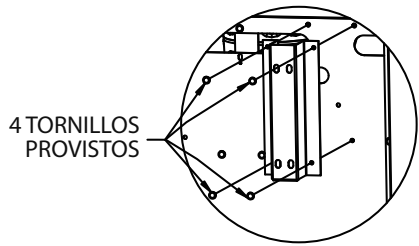
DETALLE II
PARA COCINAS DE 60"
CON HORNO DE CONVECCIÓN

2. Instale las ménsulas de soporte izquierdas y derechas (parte # 4523226 y 4523227) utilizando los 2 tornillos quitados en el paso 1 (detalle I) y un tornillo adicional a ambos lados de la cocina; instale la ménsula de soporte del centro (parte # 4523282) con los cuatro tornillos quitados en el paso 1 (detalle II).

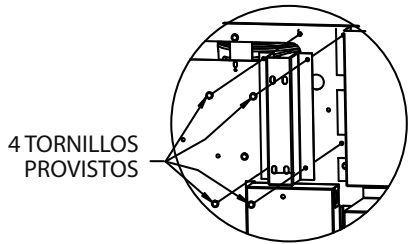


DETALLE I
TODOS LOS MODELOS DE 60"

INSTALACIÓN (continuación)

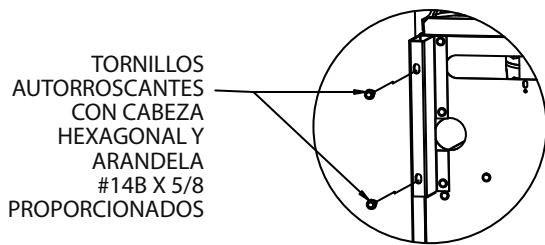


DETALLE II
PARA COCINAS DE 60"
CON HORNO DE CONVECCIÓN

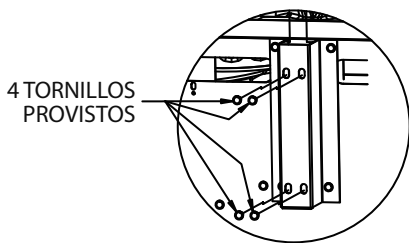


DETALLE II
PARA COCINAS DE 60"
CON HORNO CONVENCIONAL

3. Deslice la parrilla salamandra hacia abajo sobre las ménsulas de soporte instaladas en el paso 2, ver la figura 3.
4. Una vez que la parrilla salamandra esté en su lugar, fije la unidad a ambos lados de la cocina con los tornillos autorroscantes con cabeza hexagonal y arandela #14B x 5/8 proporcionados (detalle I) y el centro a la ménsula de soporte utilizando 4 de los tornillos proporcionados (detalle II).



DETALLE I
TODOS LOS MODELOS DE 60"



DETALLE II
TODOS LOS MODELOS DE 60"

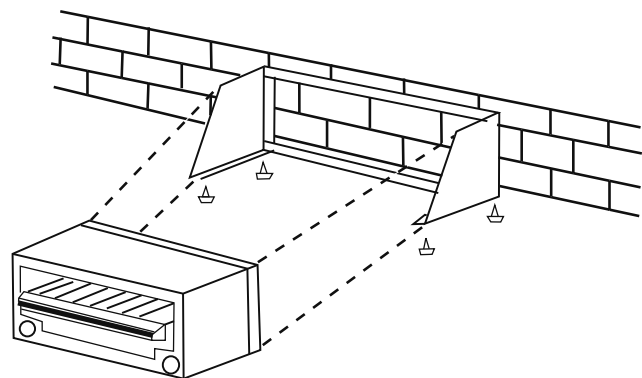
Parrillas Salamandra Fijadas A Paredes O Sobre Encimeras

Modelo GIR36C

1. La separación entre la parrilla y cualquier construcción combustible debe ser de por lo menos seis pulgadas (6", 152 mm) en la parte posterior y por lo menos seis pulgadas (6", 152 mm) a ambos lados.

El artefacto será ubicado con respecto a la construcción de la edificación y a otros equipos de tal manera que permita el acceso a al artefacto. Tal acceso y espacio libre pueden ser necesarios para el mantenimiento y limpieza del mismo.

2. Los modelos para encimeras viene provistos con patas de 4" (de 102 mm). Nivele la unidad con un nivel de un carpintero y haga ajustes menores con los pies roscados de las patas. Previo a la instalación, asegúrese de que la encimera puede soportar el peso del artefacto y de que está consiste de materiales no combustibles.
3. Al momento de la instalación se deben tener en cuenta las previsiones para la conexión de gas, por la parte superior o la trasera.
4. Si la unidad será fijada a una pared no combustible contacte a las autoridades locales respecto a los códigos locales.
5. Ubique, nivele y marque la posición del kit ya ensamblado de montaje en paredes.
6. Taladre la pared (colocando espárragos si fuese necesario) para aceptar dispositivos de fijación apropiados.
7. Taladre las barras de hierro en ángulo del kit de montaje en paredes para que coincidan con los agujeros taladrados en la pared.
8. Instale el kit de montaje en paredes a la pared.
9. Instale y fije la parrilla con los pernos suministrados.



INSTALACIÓN (continuación)

Ventilación Y Suministro De Aire

La ventilación apropiada es muy importante para una buena operación. El método ideal de ventilación para una Parrilla Salamandra es el uso de una campana de cocina correctamente diseñada que debería extenderse seis pulgadas (6", 152 mm) más allá de todos los lados del artefacto y seis (6) pies seis (6) pulgadas (1981 mm) del piso.

Un ventilador extractor fuerte creará un vacío en el cuarto. Para que un sistema de escape funcione correctamente, aire de reemplazo debe entrar al cuarto en el cual está ubicado el respiradero. La cantidad de aire extraída debe ser igual a la cantidad que entra, (aire de reposición).

Todos los quemadores y pilotos de gas necesitan suficiente aire para funcionar y no deberían colocarse objetos grandes en frente o encima de la parrilla que obstruyan el flujo de aire por la parte frontal de ésta.

La intención de las notas siguientes es la de dar una orientación general. Para las recomendaciones detalladas, refiérase a los códigos pertinentes del país de destino.

NOTA 1: se requiere que el cuarto que contiene el artefacto

tenga un respiradero de aire permanente. El área efectiva mínima del respiradero está relacionada con la máxima capacidad térmica nominal del artefacto y será de 4,5 cm² por kW (2.04 X 10⁻⁴ pulg² por BTU/H) en exceso de 7 kW. (23.900 BTU/H).

NOTA 2: los respiraderos de aire deberán ser de tal tamaño que compensen los efectos de cualquier ventilador de extracción en el local.

PARA SU SEGURIDAD nunca coloque ningún tipo de objeto encima de la parrilla salamandra. La temperatura de la parte superior de la parrilla excederá los 1000 ° F (538 ° C). Hacerlo podría causar quemaduras graves y/o causar un incendio y también obstruirá la ventilación.

Separaciones

Debe existir una separación de 6" (152 mm) entre los lados y la parte posterior y cualquier material combustible. Una separación de 0.0" entre los lados y la parte posterior y una construcción no combustible es aceptable para la parrilla salamandra.

Este artefacto sólo puede utilizarse sobre pisos/mostradores que no sean combustibles.

OPERACIÓN

Instrucciones Para Encender Los Pilotos

1. La válvula de cierre de servicio en la línea de suministro de gas deberá estar en la posición "ABIERTA".
2. Con una vela encendida usted puede ahora encender los pilotos que están ubicados en la parte posterior del quemador principal.
3. La llama piloto debería tener un largo de aproximadamente 7/8" para poder encender apropiadamente a los quemadores. La válvula de ajuste de los pilotos puede localizarse deslizando la bandeja de goteo hacia adelante. Las válvulas de ajuste están ubicadas en el tubo distribuidor que corre horizontalmente a lo largo de la parte trasera de la unidad, detrás de la bandeja de goteo. Una válvula está en la parte izquierda trasera y la otra en la parte derecha trasera.

Para ajustar el piloto, gire el tornillo de cobre en sentido contrario a las agujas del reloj para aumentar la llama piloto, y en el sentido de las mismas para disminuir la llama piloto.

NOTA: no se deberá requerir una longitud de llama piloto mayor 7/8". Un ajuste demasiado alto hará que la llama despegue o cree depósitos excesivos de carbón. No ajuste la llama piloto por debajo de 7/8" de longitud ya que ello puede causar un encendido retrasado en el quemador. El encendido retrasado podría ocasionar que las losetas del quemador se rajen; en dicho caso el quemador tendría que ser reemplazado.

Operación Del Quemador Principal

Gire la perilla de quemador principal a la posición "MAX" e inmediatamente compruebe que se haya encendido.

OPERACIÓN (continuación)

PRECAUCIÓN Si el encendido llegase a fallar después de cinco segundos, apague la válvula y espere cinco minutos antes de intentar otra vez. El gas piloto no es interrumpido automáticamente. Es responsabilidad del operador el comprobar que los quemadores se hayan encendido inmediatamente después de que la válvula del quemador haya sido abierta.

Cuando se ha logrado el encendido, una llama azul cubrirá la superficie de la cerámica durante 10-15 segundos. El velo desaparecerá y la barra del quemador estará al rojo vivo. Una vez que los quemadores hayan funcionado durante varios minutos gire la válvula a "MIN". Las barras del quemador ya no estarán al rojo vivo y la llama viajará de de acá para allá sobre la cara de la cerámica del quemador.

Período De Quemado

Muchas partes usadas en la fabricación del equipo comercial tienen una fina capa protectora de aceite de máquina. Este aceite deberá ser quemado antes de utilizar el equipo para la preparación de alimentos.

Una vez completados todas las revisiones de arranque y de seguridad, gire la válvula del quemador a la posición "MAX". Se producirá humo (una neblina azulada). Este proceso puede tomar varias horas y puede ser completado a lo largo de varios días.

Conservación De Energía

No desperdicie energía dejando los controles ajustados a altas temperaturas durante períodos ociosos. Los ajustes a temperaturas más bajas mantendrán la parrilla caliente y lista para el próximo período de uso. Para períodos de uso pesado, ajuste la perilla de la válvula del quemador según se requiera.

Instrucciones De Apagado

Gire las perillas de la válvula del quemador principal a la posición "OFF" (apagado). Si la unidad se mantendrá apagada durante un largo período de tiempo, cierre la válvula manual de servicio en la línea de suministro de gas (la válvula manual de servicio en la línea no es suministrada por la fábrica).

PARA SU SEGURIDAD nunca coloque ningún tipo de objeto encima de la parrilla salamandra. La temperatura de la parte superior de la parrilla excederá los 1000 ° F (538 ° C). Hacerlo podría causar quemaduras graves y/o causar un incendio y también obstruirá la ventilación.

Ajustes Al Quemador Principal

Todas las parrillas salamandras vienen provistas de orificios fijos en los quemadores para proporcionar 20,000 BTU/HR en el ajuste "MAX" con gas natural suministrado a una presión de 6.0" de columna de agua (15 Mbar) o con gas propano suministrados a una presión 10.0" de columna de agua (25 Mbars).

El ajuste "MIN" es ajustable y deberá ajustarse de la siguiente manera:

1. Ajuste la perilla de la válvula del quemador a la posición "MIN" y saque la perilla. Parte # la 4523974 Página 16 (11/07)
2. Insertar un destornillador aplanado delgado en el vástago de la válvula para que encaje en la ranura dentro del vástago. Gire en el sentido de las agujas del reloj para disminuir el caudal de gas y en contrario para aumentarlo.

El ajuste apropiado es alcanzado en el punto cuando de las barras del quemador ya no brillan y la llama viaja de acá para allá sobre la cara de la cerámica.

Este ajuste ha sido preajustado en la fábrica, sin embargo, con presiones cambiantes este ajuste y los ajustes de los pilotos pudieran tener que volverse a realizar después de la instalación.

Este no es considerado un defecto industrial y no está cubierto por la garantía.

NOTA : Los ajustes de la hornilla se deben hacer solamente por un técnico autorizado del servicio.

MANTENIMIENTO Y LIMPIEZA

ADVERTENCIA: si se detectase olor a gas, el suministro de gas debe ser cerrado en la válvula de cierre principal y se deberá contactar a la compañía de gas local o la agencia de servicio autorizada para reparar la fuga.

Un programa de técnicas de limpieza apropiadas ayudará a mantener en operación continua y sin problemas a este o a cualquier otro equipo de calidad.

Diariamente

La rejilla de asado deberá limpiarse diariamente mientras esté todavía caliente, usando un paño pesado u otro material absorbente de grasa para quitar la grasa y los alimentos quemados antes de que estos se quemen en la rejilla. Quite los materiales quemados, como la grasa o alimentos carbonizados, con un cepillo de alambre tieso. No USE NINGÚN TIPO DE LANA DE ACERO. Pueden quedar pequeñas partículas sobre la superficie de la rejilla y luego penetrar en los alimentos. La rejilla deberá ser lavada a fondo usando un cepillo de alambre y un detergente suave o una solución de jabón caliente. Enjuague con agua clara tibia.

Mensualmente

Lubrique las válvulas y los cojinetes según se requiera. Debido a la posición habitual de la parrilla que está montada encima de una cocina con las hornillas abiertas, el calor de éstas hará que la grasa de lubricación dentro de las válvulas se deseque. Cuando note que la válvula se hace más difícil de girar ya es hora de engrasarla. Sugerimos que para realizar este tipo de trabajo utilice a un Agente de Servicio Autorizado que esté familiarizado con el artefacto y con los sistemas de gas natural y propano.

Limpieza Exterior

Establezca un programa regular. Cualquier derrame debe ser limpiado de inmediato.

1. Al enfriarse, con un detergente suave y agua caliente limpie aquella superficie expuesta que pueda limpiarse. Los puntos de residuos obstinados pueden ser quitados con una almohadilla liviana de fregado no metálica. Seque a fondo con un paño limpia.
2. El acero inoxidable deberá limpiarse con un detergente suave, un paño suave y agua caliente. Si fuese necesario utilizar una almohadilla de fregado no metálica, siempre restriegue en dirección del grano en el metal para prevenir rayaduras. Use un limpiador de acero inoxidable a base de agua (como Drackett Twinkle), si usted quiere un brillo fuerte.

 **Garland**[®]