



G Series Infra-Red Salamander Broiler

models

GIR36C GIR36

GIR48 GIR60



PARTS LIST

Parts & Service

T (USA & Canada): 1 800 427 6668

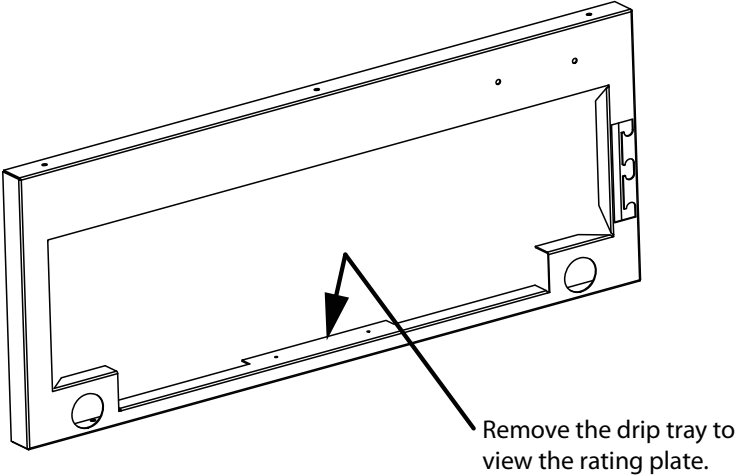
F (USA & Canada): 1 800 361 7745

www.Garland-Group.com

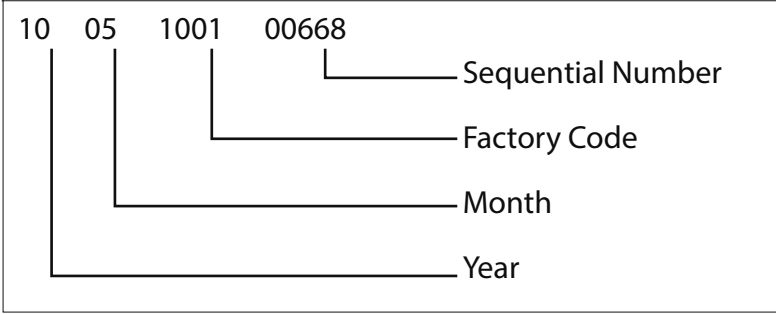
Garland Commercial Ranges, Ltd.
1177 Kamato Road
Mississauga, Ontario L4W 1X4 Canada
www.Garland-Group.com



Rating Plate Location



Serial Number Explained (13-Digits, Year/Month Information)



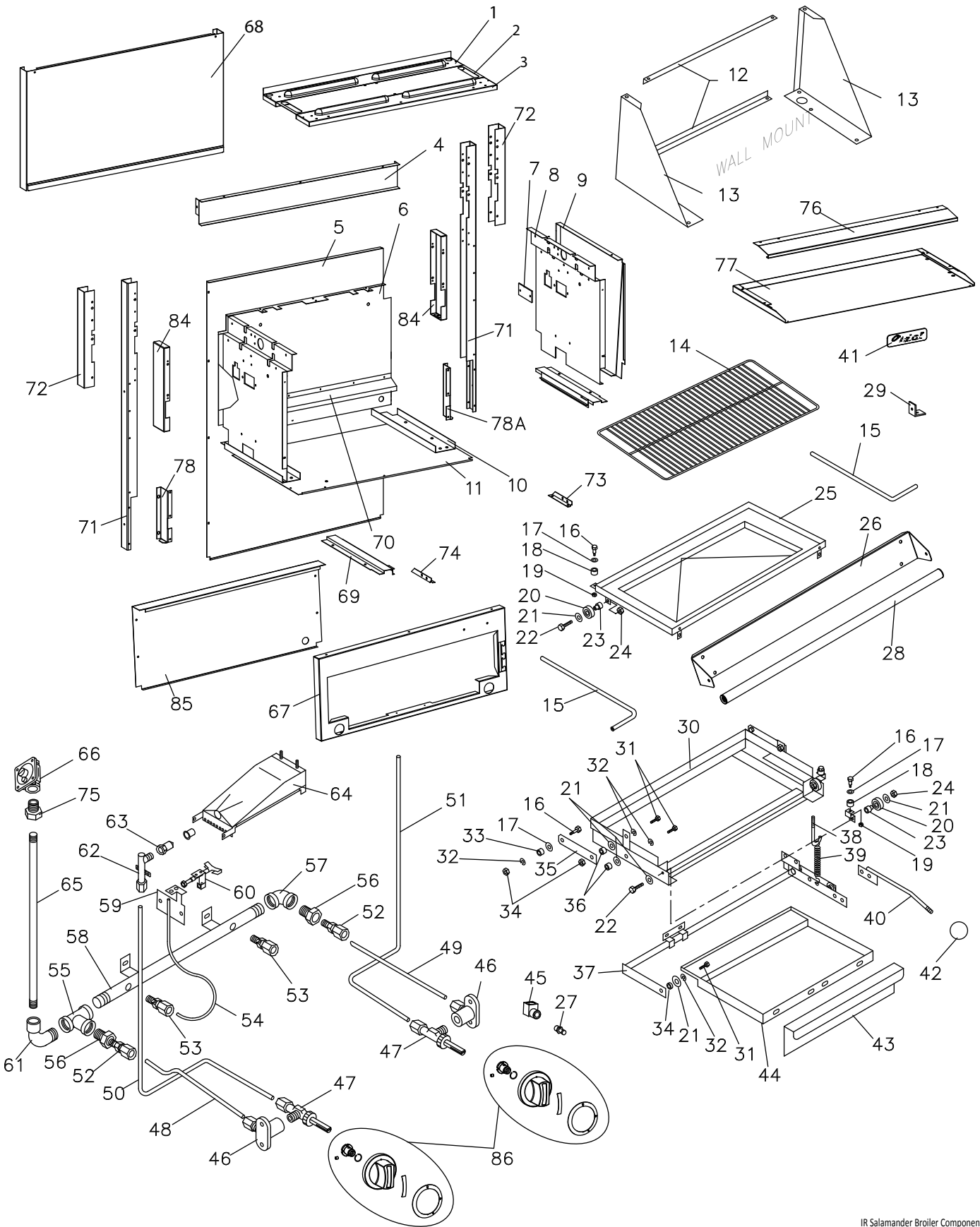


G Series Infra-Red Salamander Broiler

Table of Contents

Rating Plate Location / Serial Number Explained (Year/Month Information)	2
Components.....	4
Optional Inter-Connect Gas Kit	7
Rear Panel for 48in Model	9
Rear Panel for 60in Model	10
Revision History	11

This parts list is updated regularly. Please find the most current revision on our website @ www.Garland-Group.com



GARLAND PARTS IDENTIFICATION
G Series Infra-Red Salamander Broiler

ITEM	PART #	DESCRIPTION	QUANTITY				CRITICAL
			36"	36-C	48"	60"	
1	G01377-1-6	Main Top Back	1	1	1	1	
2	G01376-1-6	Main Back Center	1	1	1	1	
3	G01375-1-6	Main Top Front	1	1	1	1	
4	G01391-1-6	Front Brace	1	1	1	1	
5	4523215	Salamander Rear Panel	1			1	
	4523912	Salamander Rear Panel S/S - 36 & 60" Models	1			1	
6	2584000	Flue Back	1	1	1	1	
7	G01372-1-6	Orifice Fitting Cover	2	2	2	2	
8	2584100	Side Liner R/H	1	1	1	1	
	2584101	Side Liner L/H	1	1	1	1	
9	G01392-1-91	Main Side R/H	1	1	1	1	
	G01392-1-92	Main Side L/H	1	1	1	1	
10	G01378-01-61	R/H Bottom Assembly	1	1	1	1	
	G01378-01-62	L/H Bottom Assembly	1	1	1	1	
11	2540800	Bottom Cover (OPTION)		1			
12	G01467-1-5	Angle Bracket (OPTION)		2			
13	2582602	Bracket R/H (OPTION)		1			
	2582603	Bracket L/H (OPTION)		1			
14	1347200	Salamander Rack	1	1	1	1	
15	1387200	Protecting Rod	2	2	2	2	
16	1031301	Broiler Rack Roller Pin	4	4	4	4	
17	1031302	Rack Roller Wire Spacer	4	4	4	4	
18	1035400	Small Roller Bearing	4	4	4	4	
19	F76	1/4" - 20 UNC Nut	4	4	4	4	
20	G01244-1	Large Roller Bearing	4	4	4	4	
21	F256	Lockwasher - 3/8" S/S Split	4	4	4	4	
22	G6424	Glider Bolt Hex 3/8 - 16	4	4	4	4	
23	G01247-3	Rear Bushing	4	4	4	4	
24	F78	3/8"-16 Nut - Hex Black	4	4	4	4	
25	1037286	Rack Frame Weld Assy	1	1	1	1	
26	G01860-3-9	Rack Veneer	1	1	1	1	
27	G02251-1	Pressure Test Spigot	1	1	1	1	
28	4517693	Rack Handle Assembly S/S	1	1	1	1	
29	1341905	Spring Support	1	1	1	1	
30	1342596	Rack Frame Assy	1	1	1	1	
31	F40	1/4" - 20 x 3/4" LG.Hex Bolt	4	4	4	4	
32	F111	1/4" Flat Washer	4	4	4	4	
33	1037810	Rear Bushing	4	4	4	4	
34	F76	1/4" - 20 Nut	4	4	4	4	
35	1342001	Upper Arm	2	2	2	2	
36	1031300	Broiler Rock Roller Bushing	4	4	4	4	
37	1342499	Lever Assy	1	1	1	1	
38	9004701	Oven Door Spring Hook	1	1	1	1	
39	1005803	Spring	1	1	1	1	
40	1342198	Handle Assy Nickel Plated	1	1	1	1	
41	4529724	Logo/ Nameplate Large	1	1	1	1	
42	1039603	Gray Ball Knob	1	1	1	1	
43	2540700	Grease Tray Front	1	1	1	1	
44	2601301	Grease Tray	1	1	1	1	

* NOT ILLUSTRATED

RECOMMENDED STOCK PARTS

GARLAND PARTS IDENTIFICATION
G Series Infra-Red Salamander Broiler

ITEM	PART #	DESCRIPTION	QUANTITY				CRITICAL
			36"	36-C	48"	60"	
45	G01917-1	Elbow - 1/8" NPT Street	1	1	1	1	
46	G01435-1	Elbow Flanged	2	2	2	2	
47	G01410-1	Valve Hi-Lo 1/4" NPT to 7/16 CC	2	2	2	2	C
48	G01471-1-8	7/16 Inlet Tubing - Left	1	1	1	1	
49	G01472-1-8	7/16 Inlet Tubing - Right	1	1	1	1	
50	G01473-1-81	7/16 Steel Tubing x 16.312" R/H - Valve to Orifice	1	1	1	1	
51	G01473-1-82	7/16 Steel Tubing x 16.312" L/H - Valve to Orifice	1	1	1	1	
52	G01243-1	Straight Connector Fitting 1/4" NPT X 7/16CC	2	2	2	2	
53	G6809	Valve Pilot 1/4 Tube	2	2	2	2	
54	G01494-16	1/4 Aluminum Tubing x 19" - Pilot	2	2	2	2	
55	4521448	1/2" NPT Tee	1	1	1	1	
56	G01569-1	Reducer Bushing 1/2" To 1/4" NPT	2	2	2	2	
57	G01474-1	Elbow Reducer 1/2" To 1/4" NPT	1	1	1	1	
58	G01412-01-8	Manifold Assy	1	1	1	1	
59	1815602	Pilot Bracket LH/RH	2	2	2	2	
60	1806601	Natural Gas - IR SAL Pilot Burner	2	2	2	2	C
	1806602	Propane Gas - IR SAL Pilot Burner	2	2	2	2	C
61	4521449	Elbow-Street 1/2" NPT 90 DEG	1	1	1	1	
62	G01411-XX	Orifice Fitting Less Orifice Hood	2	2	2	2	
63	G01411-48	Orifice Fitting C/W #48 Hood (Natural)	2	2	2	2	C
	G01411-55	Orifice Fitting C/W #55 Hood (Propane)	2	2	2	2	C
64	CK117	Burner Assembly	2	2	2	2	
65	G01477-9	Nipple 1/2" NPT x 16" Raw (Top Gas Connection)	1	1	1	1	
66	2127503	Regulator Nat 6.0IN W/C	1	1	1	1	C
	2127500	Regulator LP 10IN W/C	1	1	1	1	C
67	4512853	Main Front S/S	1	1	1	1	
68	4523213	Lower Front Panel	1				
69	G01384-01-61	Valve Housing R/H Assembly	1	1	1	1	
	G01384-01-62	Valve Housing L/H Assembly	1	1	1	1	
70	1819001	Salamander Grease Shield	1	1	1	1	
71	4523228	Salamander Upright Bracket L/H & R/H	2			2	
72	4523229	Upright Side Veneer	2			2	
73	2588601	Strip Filler R/H	1	1	1	1	
74	2588600	Strip Filler L/H	1	1	1	1	
75	G01918-5	Bushing 3/4 to 1/2 NPT Brass	1	1	1	1	
76	2612000	Heat Shield Front S/S (Only Used with Range Mount Models)	1	1	1	1	
77	2612100	Heat Shield Bottom S/S (Only Used with Range Mount Models)	1	1	1	1	
78	4523226	Salamander Support L/H	1	1	1	1	
78A	4523227	Salamander Support R/H	1	1	1	1	
84	G01387-02-9	Support Bracket Assembly		2			
85	G01380-2-8	Main Back AZ		1			
	G01380-2-9	Main Back S/S (OPTION)		1			
86	4527469	GIR/UIR Series Salamander Knob Assembly	2	2	2	2	C

* NOT ILLUSTRATED

RECOMMENDED STOCK PARTS

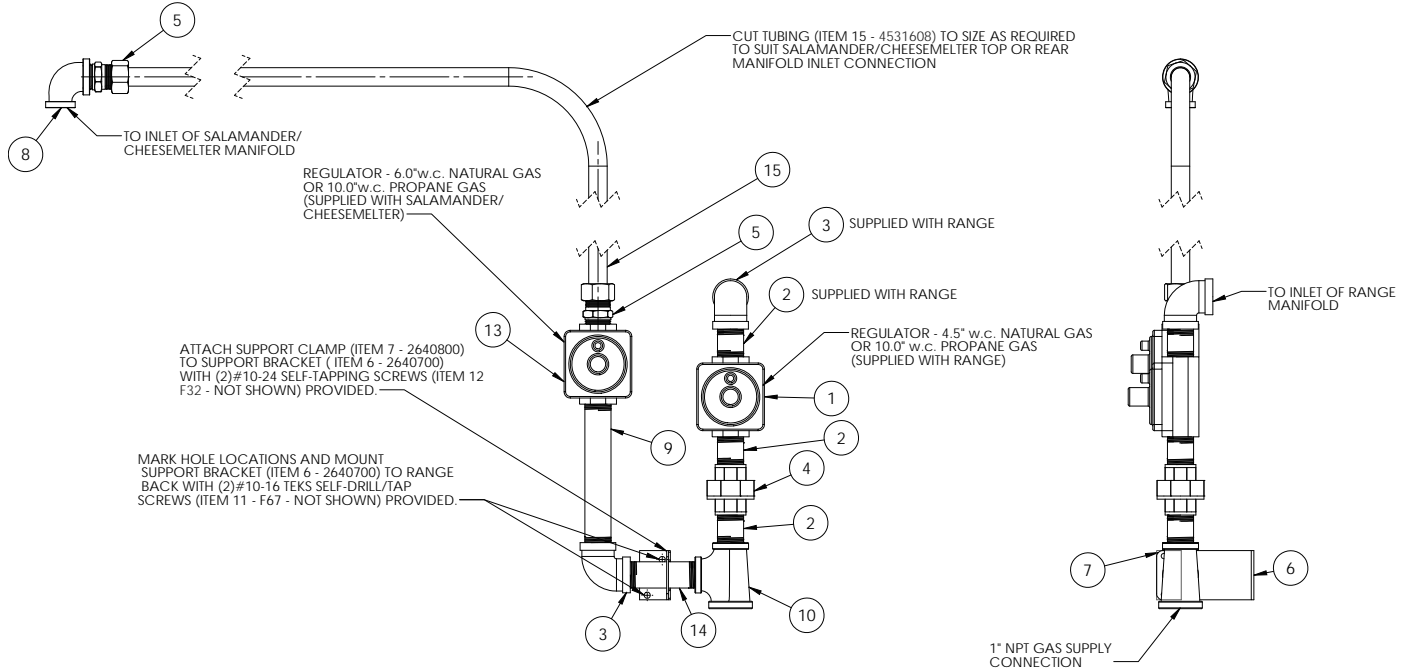
GARLAND PARTS IDENTIFICATION

G Series Infra-Red Salamander Broiler

OPTIONAL INTER-CONNECT GAS KIT FOR 36" RANGE

The gas supply of the range mounted salamanders may be inter-connected with the supply of the range, so both units are supplied from a single gas connection. The supply gas piping should be a minimum of 1" (25mm) diameter to ensure enough gas capacity is available at the specified pressure to supply the total combined input rating of both appliances. The components comprising the optional inter-connect kit are shown below.

Optional Interconnect Gas Kit #4531606 - Version 1, Connecting to a 36in Range



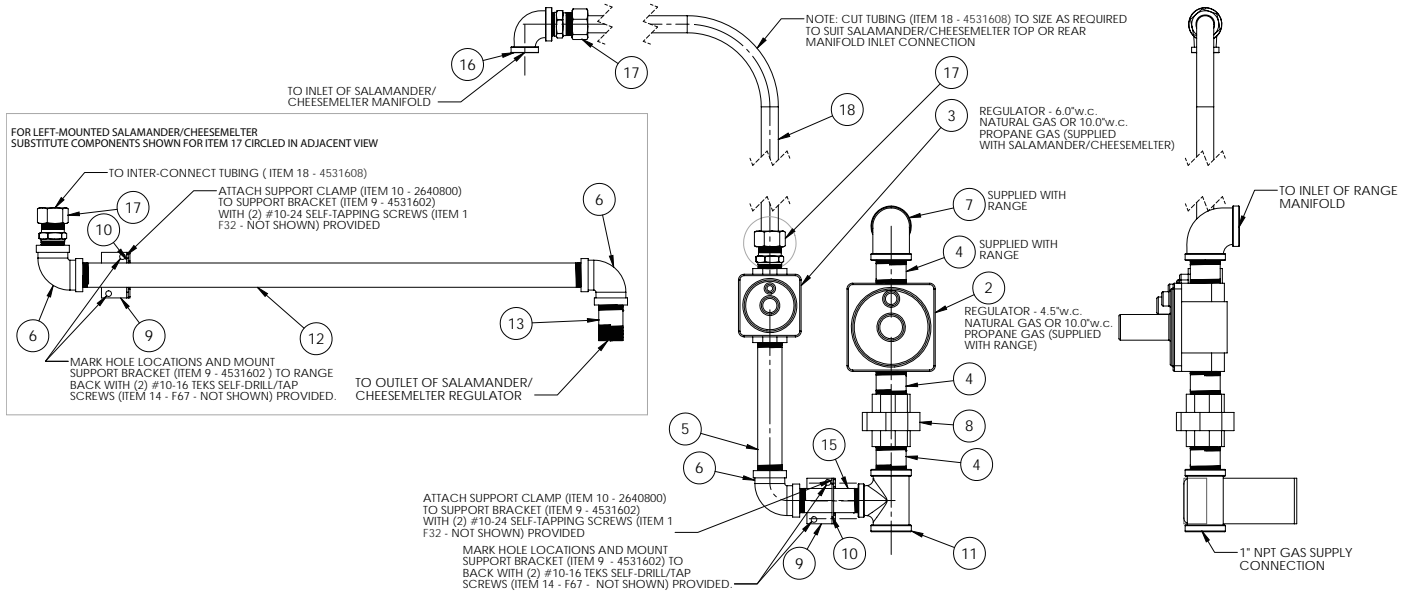
ITEM	PART#	DESCRIPTION	QUANTITY 36"
1	2127502	4.5" W.C 3/4" NPT, Regulator Natural Gas, supplied with Range	1
	4525047	3/4" ISO 7-1, Regulator Natural Gas, supplied with Range	1
	2127500	10" W.C 3/4" NPT, Regulator Propane Gas, supplied with Range	1
	4525048	3/4" ISO 7-1, Regulator Propane Gas, supplied with Range	1
2	G01738-14	Nipple, 3/4" NPT x 1/2" (one supplied with range)	3
3	G01474-5	Elbow, 90deg, 3/4" NPT (one supplied with range)	2
4	G01963-1	Union, 3/4" NPT	2
5	301300	3/4" CC x 3/4" NPT Straight Fitting	2
6	2640700	Bracket, Pipe Support	1
7	2640800	Clamp, Pipe Support Bracket	1
8	G01474-9	Reducing Elbow, 90deg, 3/4" NPT x 1/2" NPT	1
9	G01738-5	Nipple, 3/4" NPT x 6.5"	1
10	G03716-1	Reducing Tee, 3/4" NPT x 3/4" NPT x 1"	1
11	F67	Screw, #10-16 x 1/2" Hex, Washer Head, Tek's Self-Drill/Tap (not shown)	2
12	F32	Screw, #10-24 x 1/2" Pan Head, Self-Tap, Type F (not shown)	2
13	2127503	6" W.C 3/4" NPT, Regulator Natural Gas, supplied with Salamander/Cheesemelter	1
	2127500	10" W.C 3/4" NPT, Regulator Propane Gas, supplied with Salamander/Cheesemelter	1
14	G1738-11	Nipple, 3/4" NPT x 3.5"	1
15	4531608	Tubing 3/4"	1

GARLAND PARTS IDENTIFICATION

G Series Infra-Red Salamander Broiler

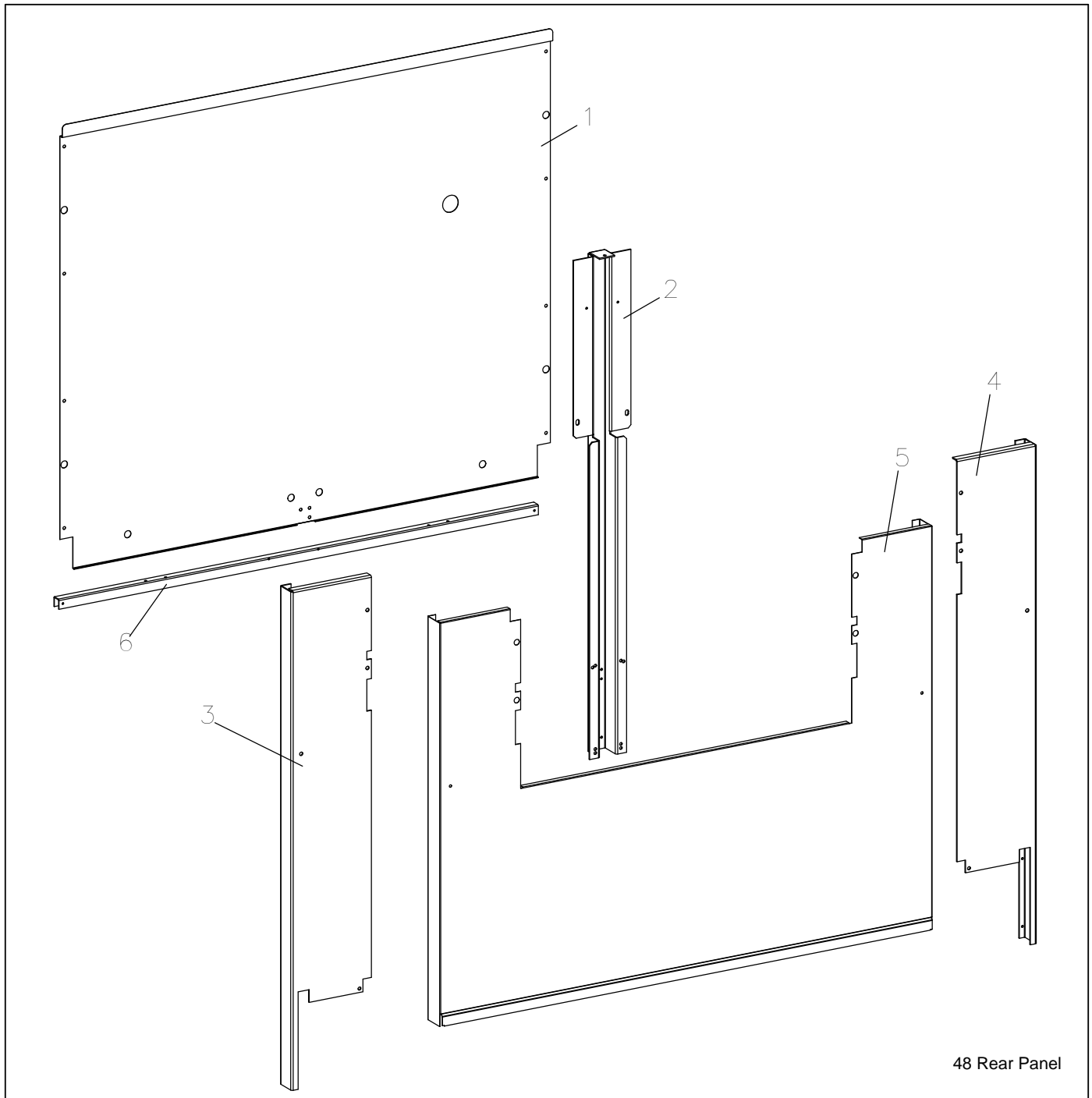
OPTIONAL INTER-CONNECT GAS KIT FOR 48"/60" RANGE

Optional Interconnect Gas Kit #4531606 - Version 2, Connecting to a 48in or 60in Range



ITEM	PART#	DESCRIPTION	QUANTITY 48" / 60"
1	F32	Screw, #10-24 x 1/2" Pan Head, Self-Tap, Type F (not shown)	4
2	4522421	4.5"W.C 1"NPT, Regulator Natural Gas, supplied with Range	1
	4525049	1" ISO 7-1, Regulator Natural Gas, supplied with Range	1
	4522422	10"W.C 1"NPT, Regulator Propane Gas, supplied with Range	1
	4525050	1" ISO 7-1, Regulator Propane Gas, supplied with Range	1
3	2127503	6"W.C 3/4" NPT, Regulator Natural Gas, supplied with Salamander/Cheesemelter	1
	2127500	10"W.C 3/4" NPT, Regulator Propane Gas, supplied with Salamander/Cheesemelter	1
4	076029-204	Nipple, 1" NPT x 2" (one supplied with range)	3
5	G1738-5	Nipple, 3/4" NPT x 6.5"	1
6	G01474-5	Elbow, 90deg, 3/4" NPT	3
7	076029-171	Elbow, 90deg, 1" NPT (supplied with range)	1
8	4530189	Union, 1" NPT	1
9	4531602	Bracket, Pipe Support 48/60	2
10	2640800	Clamp, Pipe Support Bracket	2
11	3012800	Reducing Tee, 1" NPT x 1" NPT x 3/4"	1
12	G01738-16	Nipple, 3/4" NPT x 22.75"	1
13	G01738-14	Nipple, 3/4" NPT x 2"	1
14	F67	Screw, #10-16 x 1/2" Hex, Washer Head, Tek's Self-Drill/Tap (not shown)	4
15	G01738-11	Nipple, 3/4" NPT x 3.5"	1
16	G01474-9	Reducing Elbow, 90deg, 3/4" NPT x 1/2" NPT	1
17	3013000	3/4"CC x 3/4" NPT Straight Fitting	2
18	4531608	Tubing 3/4"	1

GARLAND PARTS IDENTIFICATION
G Series Infra-Red Salamander Broiler
REAR PANEL FOR 48in MODEL



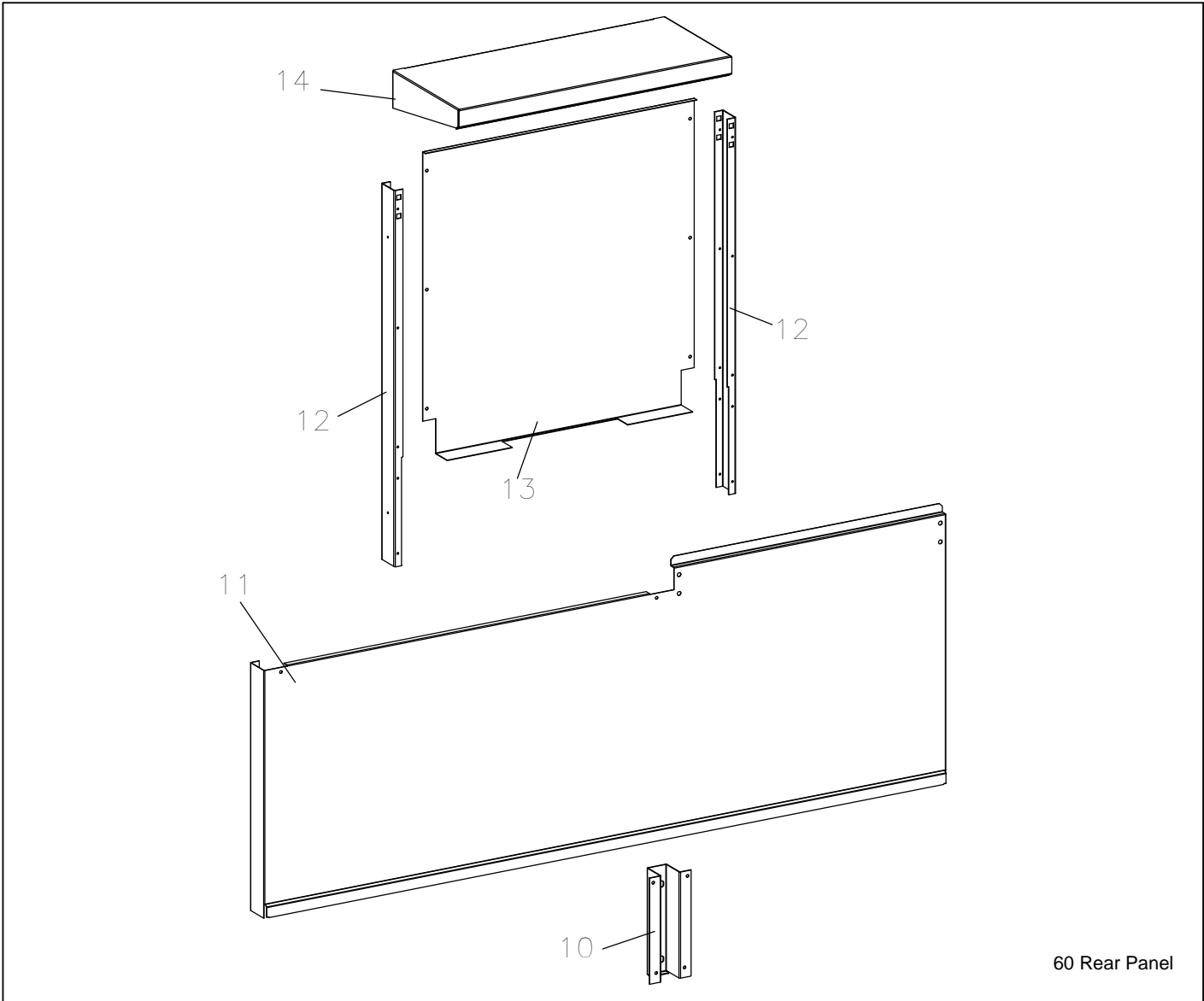
48 Rear Panel

ITEM	PART #	DESCRIPTION	QTY
1	4523896	48" Salamander Rear Panel (Standard)	1
	4523913	48" Salamander Rear Panel S/S (OPTION)	1
2	4524043	48" Salamander Centre Support	1
3	4523898	48" Salamander Upright - Left Hand	1
4	4523897	48" Salamander Upright - Right Hand	1
5	4523899	48" Salamander Front Panel	1
6	4524055	48" Salamander Anti Sway Bracket	1

* NOT ILLUSTRATED

RECOMMENDED STOCK PARTS

GARLAND PARTS IDENTIFICATION
G Series Infra-Red Salamander Broiler
REAR PANEL FOR 60in MODEL



ITEM	PART #	DESCRIPTION	QTY
10	4523282	60" Salamander - High Shelf Support	1
11	4523265	60" High-Shelf Front Panel W/Salamander LT	1
	4523900	60" High-Shelf Front Panel W/Salamander RT	1
	4523901	60" High-Shelf Front Panel W/Salamander LT & BG RT	1
12	4523112	Upright - High Shelf	2
13	4523914	24" High Shelf /Salamander Back Standard	1
	4523915	24" High Shelf /Salamander Back S/S (OPTION)	1
14	4523293	24" Shelf	1

* NOT ILLUSTRATED
RECOMMENDED STOCK PARTS

REVISION HISTORY (GIR)

REV	BY	PAGE/ITEM	NOTES	DATE
0	CM		New book.	MAY 17/10
1	HH		Removed one part in illustration as item not used in product.	JUN 06/13
2	HH	p.2 pp.7-8 p. 5 #41	Added serial# info, rating plate loc. New gas interconnect kits PCO 06579/07032 New logo plate.	MAY 08/14



G Series Infra-Red Salamander Broiler GIR — Parts List

Garland Commercial Ranges, Ltd.
1177 Kamato Road
Mississauga, Ontario L4W 1X4 Canada
www.Garland-Group.com

Parts & Service
1 800 427 6668 (Phone, US & Canada)
1 800 361 7745 (Fax, US & Canada)

