



G Series Infra-Red Cheesemelter

models

GIRCM36C GIRCM36
GIRCM48 GIRCM60



PARTS LIST

Parts & Service

T (USA & Canada): 1 800 427 6668

F (USA & Canada): 1 800 361 7745

www.Garland-Group.com

Garland Commercial Ranges, Ltd.
1177 Kamato Road
Mississauga, Ontario L4W 1X4 Canada
www.Garland-Group.com



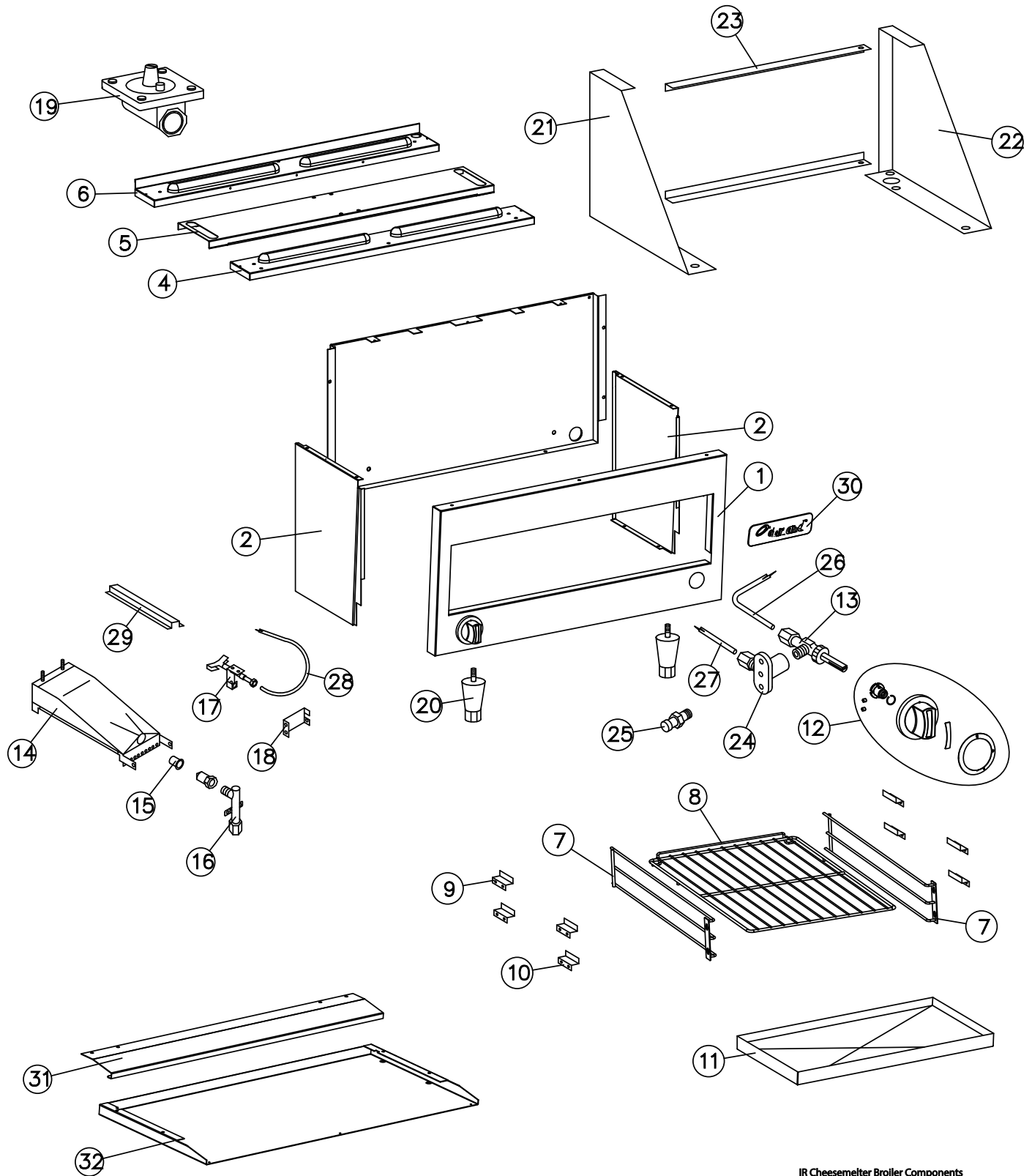


G Series Infra-Red Cheesemelter

Table of Contents

Rating Plate Location / Serial Number Explained (Year/Month Information)	2
Components.....	4
Optional Inter-Connect Gas Kit	6
Rear Panel for 36in Model	8
Rear Panel for 48in Model	9
Rear Panel for 60in Model	10
Revision History	11

This parts list is updated regularly. Please find the most current revision on our website @ www.Garland-Group.com



IR Cheesemelter Broiler Components

GARLAND PARTS IDENTIFICATION
G Series Infra-Red Cheesemelter
COMPONENTS

ITEM	PART #	DESCRIPTION	QUANTITY				CRITICAL
			36"	36-C	48"	60"	
1	1375901	Front Frame Panel	1	1	1	1	
2	1376701	Side Panel Right/Left Hand -S/S	2	2	2	2	
3	1377002	Body Side Filler Right/Left Hand S/S		2			
4	G01375-1-9	Main Top Front S/S	1	1	1	1	
5	G01376-1-9	Main Top Centre S/S	1	1	1	1	
6	G01377-1-9	Main Top Back	1	1	1	1	
7	9004000	Rack Guide Right/Left Hand	2	2	2	2	
8	9003901	Rack Cheesemelter 34" (15D x 30W)	1	1	1	1	
9	4515634	Rack Guide Hold Down Bracket	4	4	4	4	
10	1317600	Rack Guide Bracket	4	4	4	4	
11	1376401	Crumb Tray 31"	1	1	1	1	
12	4527471	GIRCM Series Cheese Melter Knob Assembly	2	2	2	2	C
13	G01410-1	HI - LO Valve	2	2	2	2	
14	1035103	Cheese Melter Burner	2	2	2	2	
15	M7-50	Burner Orifice Natural Gas (North America / EXPORT)	2	2	2	2	C
	M7-56	Burner Orifice Propane Gas (North America / EXPORT)	2	2	2	2	C
16	G01411-XX	Orifice Fitting Less Hood	2	2	2	2	
17	G0554-1	Pilot Burner 3C-2 Natural Gas	2	2	2	2	C
	G0554-2	Pilot Burner 3C-2 Propane Gas	2	2	2	2	C
18	1376100	Pilot Bracket	2	2	2	2	
19	2127503	Regulator Natural Gas 6.0" W/C	1	1	1	1	C
	2127500	Regulator Propane Gas 10" W/C	1	1	1	1	C
20	078109-2	4" Adjustable Metal Leg Used for GIRCM36C Series Counter Model		4			
21	4526087	Wall Mount Bracket LT S/S (OPTION for GIRCM36C Only)		1			
22	4526086	Wall Mount Bracket RT S/S (OPTION for GIRCM36C Only)		1			
23	G01467-1-5	Angle Bracket 34" (OPTION for GIRCM36C Only)		2			
24	1037901	Flanged Elbow For GIRCM	2	2	2	2	
25	G6809	Pilot Adjustment Gum Valve 1/4	2	2	2	2	
26	4526119	7/16 x 24" Flex Tubing - Valve to Gas Manifold	2	2	2	2	
27	4526119	7/16 x 24" Flex Tubing - Flanged Elbow to Orifice Fitting	2	2	2	2	
28	4526120	1/4 x 36" Flex Tubing - Manifold to Pilot	2	2	2	2	
29	4525990	Pilot Tubing Shield	2	2	2	2	
30	4529724	Logo Plate - Large	1	1	1	1	
31	4526038	Heat Shield Front S/S (Only Used with Range Mount Models)	1	1	1	1	
32	4526037	Heat Shield Bottom S/S (Only Used with Range Mount Models)	1		1	1	
33*	4526088	Heat Shield Wall-Mount		1			
34*	G02251-1	Pressure Test Spigot	1	1	1	1	

* NOT ILLUSTRATED

RECOMMENDED STOCK PARTS

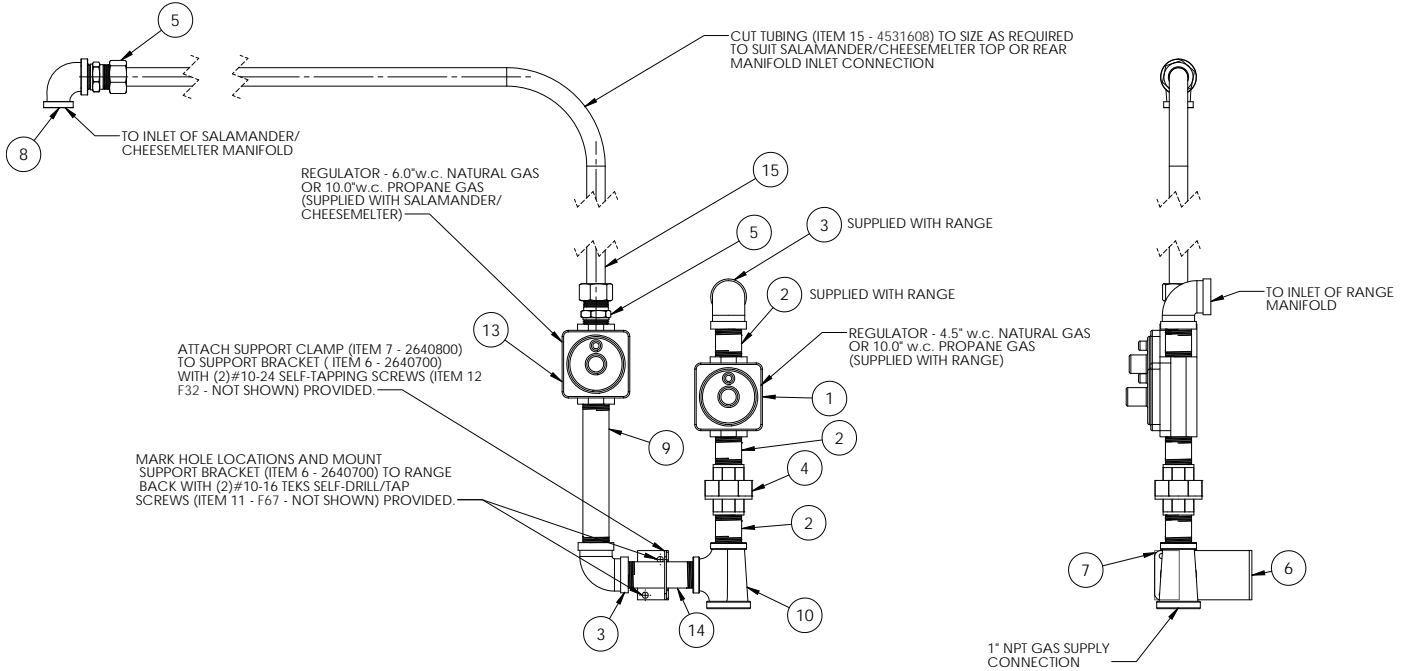
GARLAND PARTS IDENTIFICATION

G Series Infra-Red Cheesemelter

OPTIONAL INTER-CONNECT GAS KIT FOR 36" RANGE

The gas supply of the range mounted salamanders may be inter-connected with the supply of the range, so both units are supplied from a single gas connection. The supply gas piping should be a minimum of 1" (25mm) diameter to ensure enough gas capacity is available at the specified pressure to supply the total combined input rating of both appliances. The components comprising the optional inter-connect kit are shown below.

Optional Interconnect Gas Kit #4531606 - Version 1, Connecting to a 36in Range



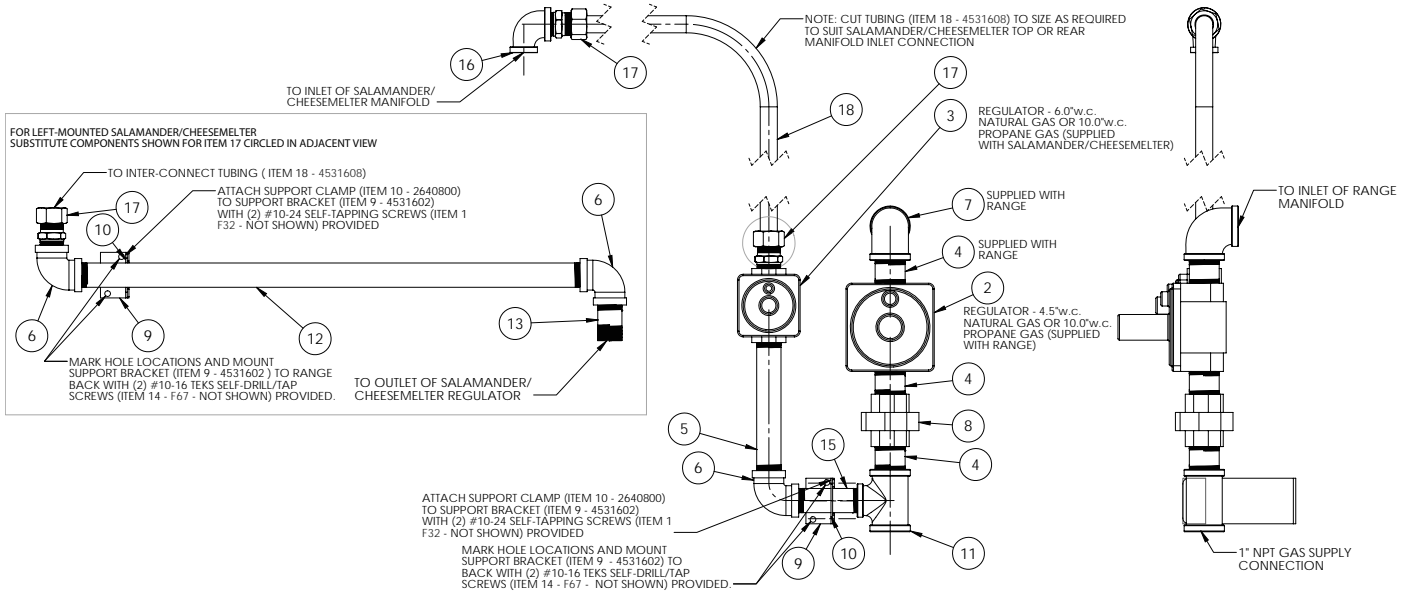
ITEM	PART#	DESCRIPTION	QUANTITY 36"
1	2127502	4.5"W.C 3/4"NPT, Regulator Natural Gas, supplied with Range	1
	4525047	3/4" ISO 7-1, Regulator Natural Gas, supplied with Range	1
	2127500	10"W.C 3/4"NPT, Regulator Propane Gas, supplied with Range	1
	4525048	3/4" ISO 7-1, Regulator Propane Gas, supplied with Range	1
2	G01738-14	Nipple, 3/4" NPT x 1/2" (one supplied with range)	3
3	G01474-5	Elbow, 90deg, 3/4" NPT (one supplied with range)	2
4	G01963-1	Union, 3/4" NPT	2
5	301300	3/4"CC x 3/4" NPT Straight Fitting	2
6	2640700	Bracket, Pipe Support	1
7	2640800	Clamp, Pipe Support Bracket	1
8	G01474-9	Reducing Elbow, 90deg, 3/4" NPT x 1/2" NPT	1
9	G01738-5	Nipple, 3/4" NPT x 6.5"	1
10	G03716-1	Reducing Tee, 3/4" NPT x 3/4" NPT x 1"	1
11	F67	Screw, #10-16 x 1/2" Hex, Washer Head, Tek's Self-Drill/Tap (not shown)	2
12	F32	Screw, #10-24 x 1/2" Pan Head, Self-Tap, Type F (not shown)	2
13	2127503	6"W.C 3/4" NPT, Regulator Natural Gas, supplied with Salamander/Cheesemelter	1
	2127500	10"W.C 3/4" NPT, Regulator Propane Gas, supplied with Salamander/Cheesemelter	1
14	G1738-11	Nipple, 3/4" NPT x 3.5"	1
15	4531608	Tubing 3/4"	1

GARLAND PARTS IDENTIFICATION

G Series Infra-Red Cheesemelter

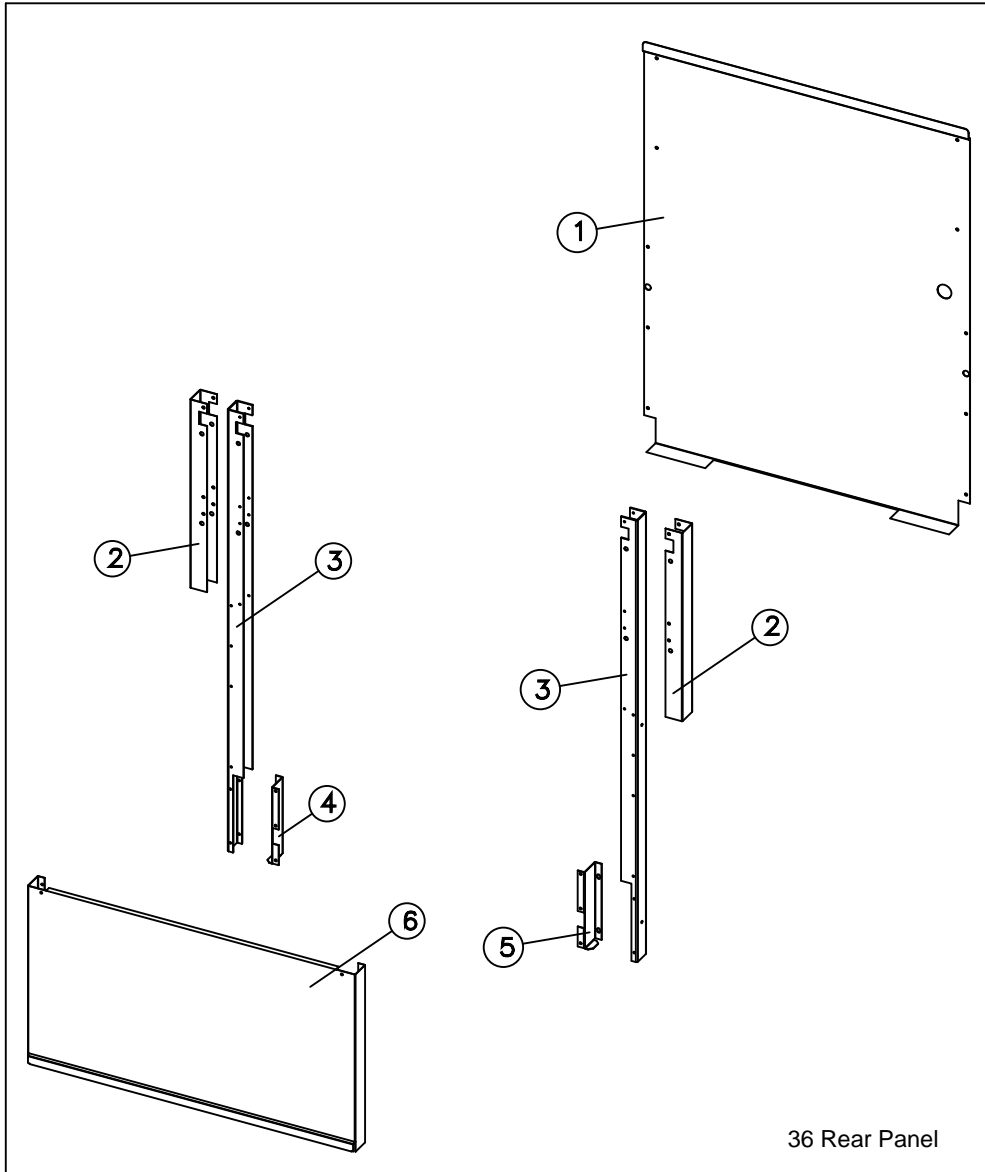
OPTIONAL INTER-CONNECT GAS KIT FOR 48"/60" RANGE

Optional Interconnect Gas Kit #4531606 - Version 2, Connecting to a 48in or 60in Range



ITEM	PART#	DESCRIPTION	QUANTITY 48" / 60"
1	F32	Screw, #10-24 x 1/2" Pan Head, Self-Tap, Type F (not shown)	4
2	4522421	4.5"W.C 1"NPT, Regulator Natural Gas, supplied with Range	1
	4525049	1" ISO 7-1, Regulator Natural Gas, supplied with Range	1
	4522422	10"W.C 1"NPT, Regulator Propane Gas, supplied with Range	1
	4525050	1" ISO 7-1, Regulator Propane Gas, supplied with Range	1
3	2127503	6"W.C 3/4" NPT, Regulator Natural Gas, supplied with Salamander/Cheesemelter	1
	2127500	10"W.C 3/4" NPT, Regulator Propane Gas, supplied with Salamander/Cheesemelter	1
4	076029-204	Nipple, 1" NPT x 2" (one supplied with range)	3
5	G1738-5	Nipple, 3/4" NPT x 6.5"	1
6	G01474-5	Elbow, 90deg, 3/4" NPT	3
7	076029-171	Elbow, 90deg, 1" NPT (supplied with range)	1
8	4530189	Union, 1" NPT	1
9	4531602	Bracket, Pipe Support 48/60	2
10	2640800	Clamp, Pipe Support Bracket	2
11	3012800	Reducing Tee, 1" NPT x 1" NPT x 3/4"	1
12	G01738-16	Nipple, 3/4" NPT x 22.75"	1
13	G01738-14	Nipple, 3/4" NPT x 2"	1
14	F67	Screw, #10-16 x 1/2" Hex, Washer Head, Tek's Self-Drill/Tap (not shown)	4
15	G01738-11	Nipple, 3/4" NPT x 3.5"	1
16	G01474-9	Reducing Elbow, 90deg, 3/4" NPT x 1/2" NPT	1
17	3013000	3/4"CC x 3/4" NPT Straight Fitting	2
18	4531608	Tubing 3/4"	1

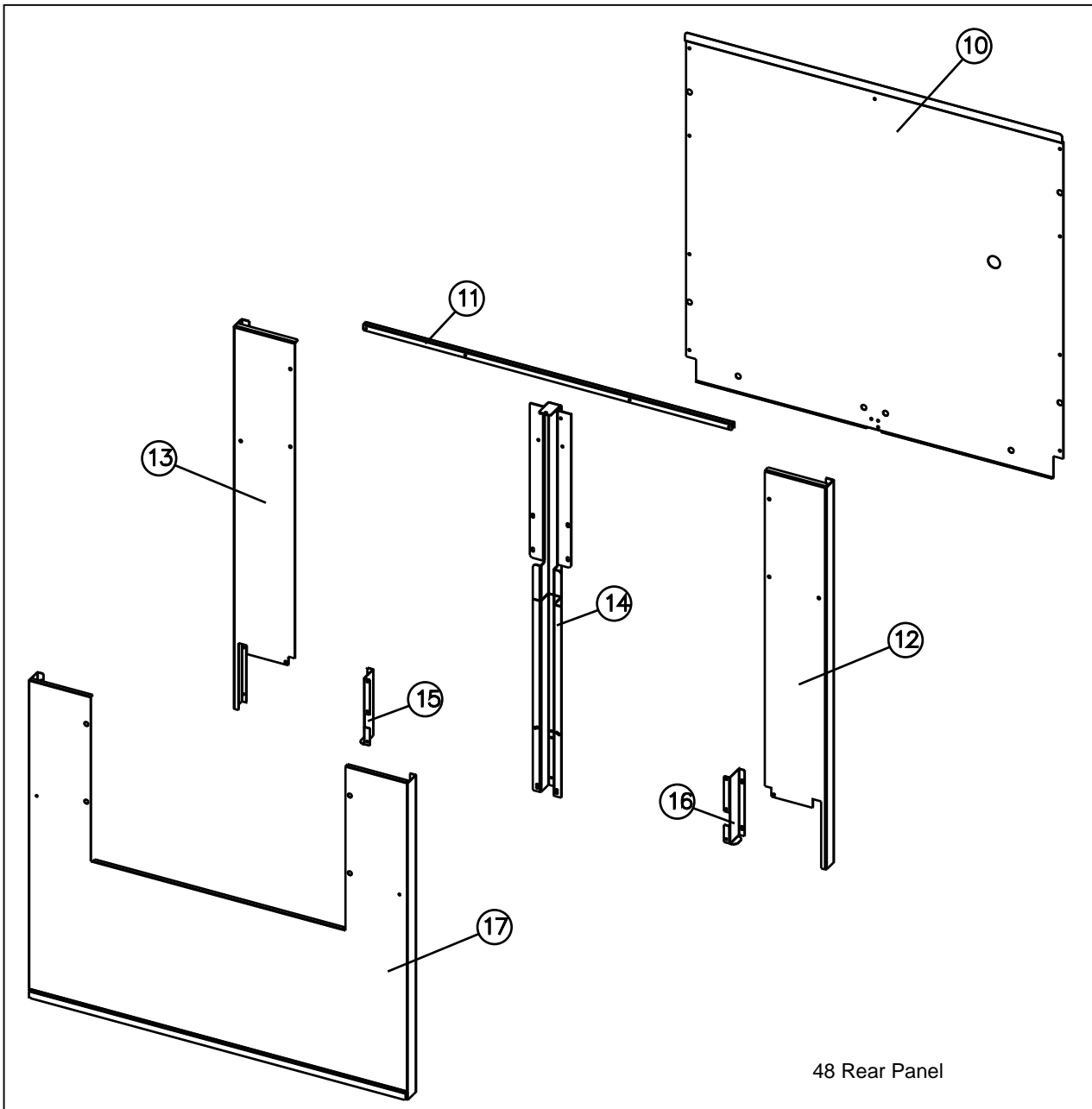
GARLAND PARTS IDENTIFICATION
G Series Infra-Red Cheesemelter
REAR PANEL FOR 36in MODEL



ITEM	PART #	DESCRIPTION	QTY
1	4525830	Rear Panel G/UIRCM36/60 - Standard Back (Galvanized)	1
	4525987	Main Back Panel 36/60" Cheesemelter back Panel S/S	1
2	4525844	Upright Veneer - Cheesemelter Range Mount	2
3	4525827	36/60" Cheesemelter Upright Bracket - Range Mount	2
4	4523226	Salamander Support - Left Hand	1
5	4523227	Salamander Support - Right Hand	1
6	4523213	36" Cheesemelter Front Panel	1

* NOT ILLUSTRATED
RECOMMENDED STOCK PARTS

GARLAND PARTS IDENTIFICATION
G Series Infra-Red Cheesemelter
REAR PANEL FOR 48in MODEL

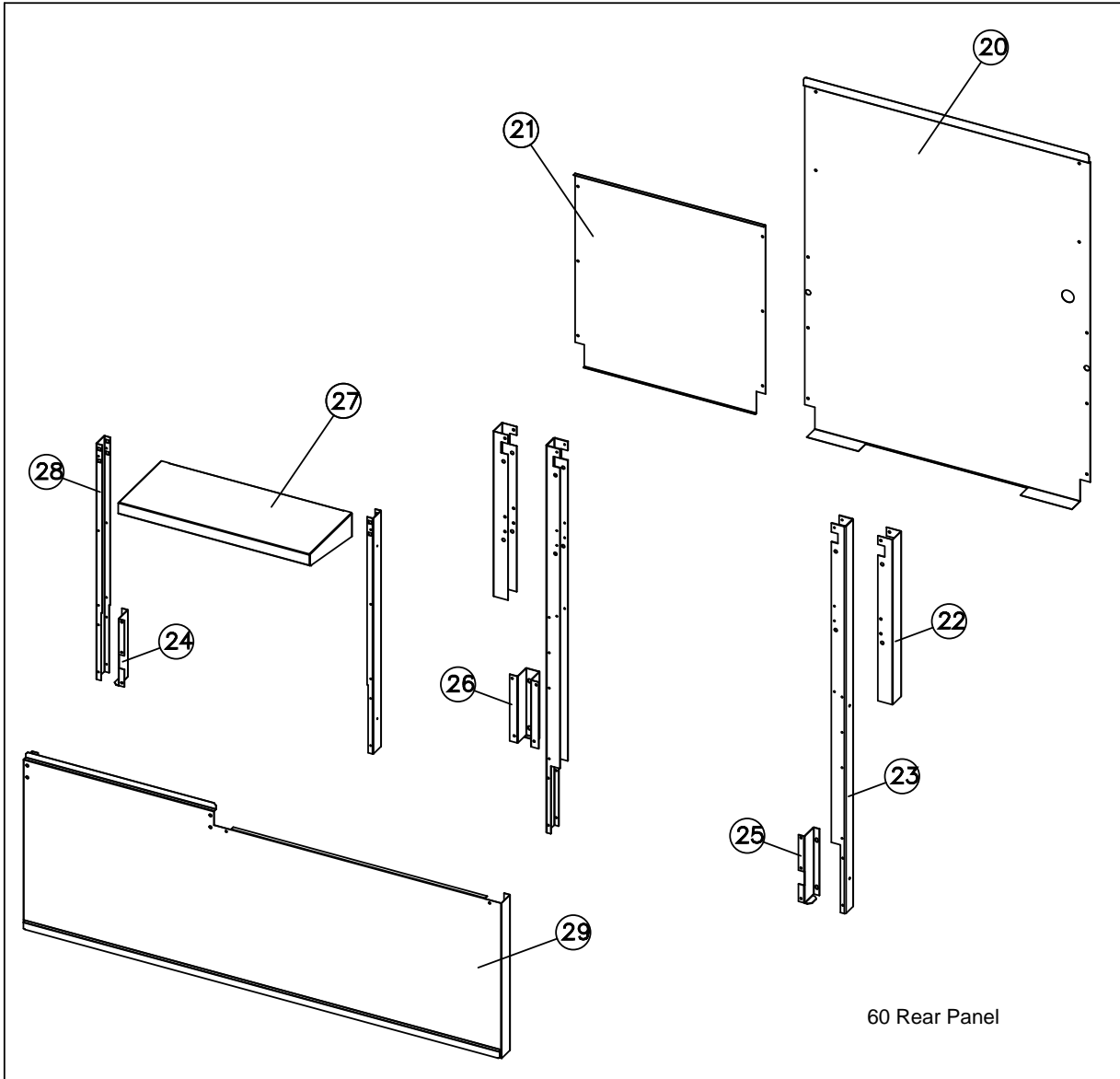


ITEM	PART #	DESCRIPTION	QTY
10	4525877	Rear Panel G/UIRCM48 - Standard Back (Galvanized)	1
	4525878	Main Back Panel 48" Chessemelter S/S	1
11	4526001	ANTI-Sway Bar - Cheesemelter	1
12	4525872	Upright Left-Hand G/UIRCM48 (Range Mount Models)	1
13	4525873	Upright Right-Hand G/UIRCM48 (Range Mount Models)	1
14	4525864	Centre Support Bracket G/UIRCM48 (Range Mount Models)	1
15	4523226	Salamander Support - Left Hand	1
16	4523227	Salamander Support - Right Hand	1
17	4525867	Front Panel - G/UIRCM48" Range Mount Models	1

* NOT ILLUSTRATED

RECOMMENDED STOCK PARTS

GARLAND PARTS IDENTIFICATION
G Series Infra-Red Cheesemelter
REAR PANEL FOR 60in MODEL



60 Rear Panel

ITEM	PART #	DESCRIPTION	QTY
20	4525830	Rear Panel G/UIRCM36/60 - Standard Back (Galvanized)	1
	4525987	Main Back Panel 36/60" Cheesemelter back Panel S/S	1
21	4523914	24IN High-Shelf Salamander Standard Back (Galvanized)	1
	4523915	24IN High-Shelf Salamander Back S/S	1
22	4525844	Upright Veneer - Cheesemelter S/S	2
23	4525827	Cheesemelter Upright (Galvanized)	2
24	4523226	Salamander Support Left-Hand	1
25	4523227	Salamander Support Right-Hand	1
26	4523282	60" Salamander High-Shelf Support Centre	1
27	4523293	24" Shelf	1
28	4523112	Upright - High Shelf	2
	4523265	60" High Shelf Front Panel With Salamander	1
29	4523900	60IN Front Panel Salamander Right-Side	1
	4523901	60IN Broiler/Griddle Front Panel Salamander Left-Side	1

* NOT ILLUSTRATED

RECOMMENDED STOCK PARTS

REVISION HISTORY (GIRCM)

REV	BY	PAGE/ITEM	NOTES	DATE
0			New book.	MAY 26/10
1	HH	p.2 pp.6-7 p.5 #30 p.5 #31-34	Added serial# info, rating plate loc. New gas interconnect kits PCO 06579/07032 New logo plate. Corrected p/n and quantities	MAY 12/14



G Series Infra-Red Cheesemelter GIRCM — Parts List

Garland Commercial Ranges, Ltd.
1177 Kamato Road
Mississauga, Ontario L4W 1X4 Canada
www.Garland-Group.com

Parts & Service
1 800 427 6668 (Phone, US & Canada)
1 800 361 7745 (Fax, US & Canada)

